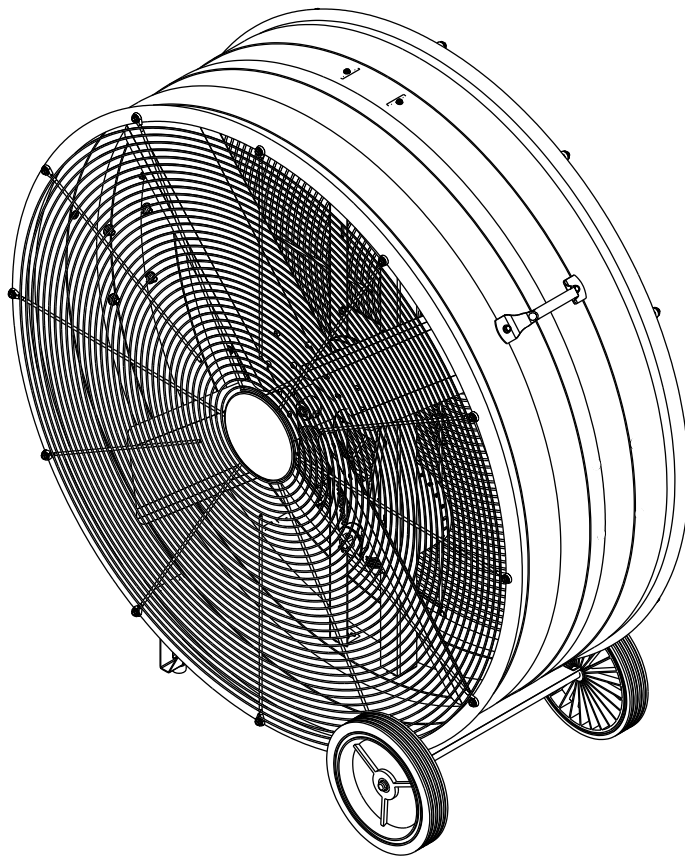


USE AND CARE GUIDE

42 IN. BELT DRIVE PORTABLE AIR CIRCULATOR



Questions, problems, missing parts? Before returning to the store,
call Commercial Electric Customer Service
8 a.m. - 7 p.m., EST, Monday - Friday, 9 a.m. - 6 p.m., EST, Saturday

1-877-527-0313

HOMEDPOT.COM

THANK YOU

We appreciate the trust and confidence you have placed in Commercial Electric through the purchase of this fan. We strive to continually create quality products designed to enhance your home. Visit us online to see our full line of products available for your home improvement needs.

Thank you for choosing Commercial Electric!

Table of Contents

Table of Contents	2	Warranty	2
Safety Information	2	Operation	3
Specifications	2	Maintenance	4
Before First Use	2	Replacement Parts	4

Safety Information

READ AND SAVE THESE INSTRUCTIONS.

- Unplug this fan for storage, when not in use, or moving locations.

SPECIFICATIONS

110-120 Volt A/C polarized grounded plug with a 7-1/2 ft. supply cord.



IMPORTANT: Do not remove the grounding conductor from the plug or use with an extension cord.

BEFORE FIRST USE

This fan is shipped fully assembled. There are no additional spare parts shipped with this item. This fan is intended for indoor use only



WARNING: To reduce the risk of fire or electric shock, do not use with any solid-state speed control device. This fan motor is equipped with an automatic reset overload device. The fan may start unexpectedly. Do not put any object through the grilles into the blade or motor.



WARNING: This fan is for indoor use only. Do not expose to the elements or allow the fan to become wet.



WARNING: Do not use this fan to exhaust hazardous chemicals or vapors.



WARNING: Do not move fan while in operation.

Warranty

The manufacturer extends this warranty to the original retail purchaser of its model or, if this unit is purchased and installed by a building contractor, then to the original owner of the home. No subsequent purchaser of the unit or of a home which it is installed is entitled to any of the benefits of this warranty.

This product is warranted against defects in materials and workmanship for a period of two (2) years from the date of original retail purchase. No other parts or components are warranted. There is no warranty for defects caused by abuse, faulty installation, or the like. Repairs or replacement parts supplied under this warranty are warranted only for the period of this warranty; that is, two (2) years from the date of the original retail purchase of the unit.

In the event of a defect or malfunction, we will replace or repair the defective part or component only and return the new or repaired part to you freight prepaid. You must bear all other expenses incurred in obtaining repairs, including labor required for field repair or replacement, and the cost of shipping the defective part to us. You must also bear the cost of replacement of any part or component and the shipping charges incurred for the replacement and return to you any part or component not covered by this warranty, including parts or components damaged by you.

The manufacturer reserves the right to demand and receive written evidence of the date of purchase before undertaking to perform its obligations under this warranty. You should, therefore, retain your sales slip. There is no informal dispute settling mechanism available in the event of a controversy involving this warranty.

Any and all implied warranties which may exist terminate upon the expiration of this warranty, two (2) years from the date of the original retail purchase. Some states do not allow limitations on how long an implied warranty lasts, so this limitation may not apply to you.

The manufacturer is not liable to you for incidental or consequential damages arising out of a defect or malfunction of a unit, or its installation, or out of any alleged breach of this warranty. Some states do not allow the exclusion or limitation of incidental or consequential damages, so this limitation may not apply to you. This warranty gives you specific legal rights, and you may also have other rights which vary from state to state.

Contact the Customer Service Team at 1-877-527-0313 or visit www.HomeDepot.com.

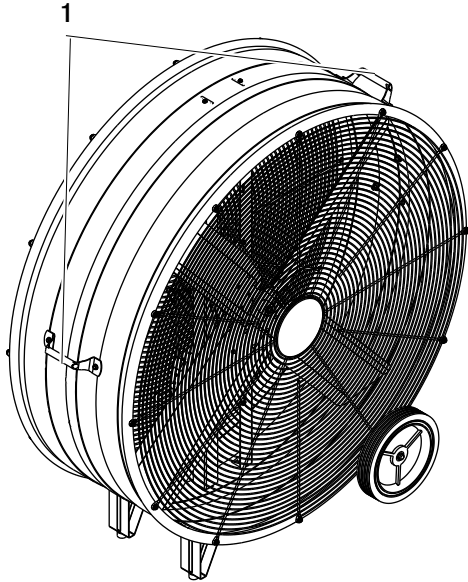
Operation

1 Moving the fan



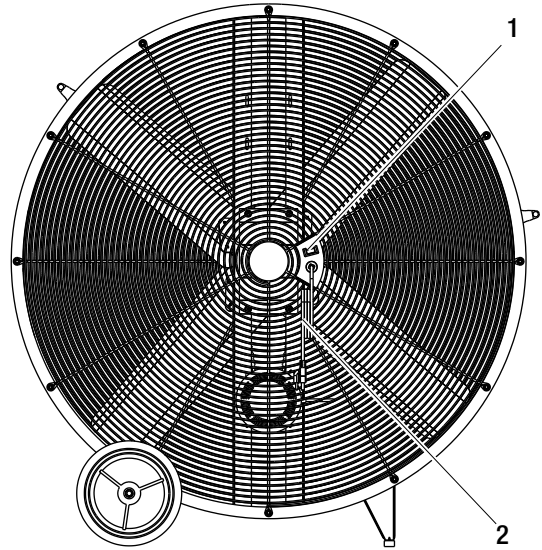
WARNING: Do not move fan while in operation.

- Grasp the fan by either one of the two handles (1) and roll the fan to your desired location.



2 Turning the fan on and off

- Plug the power cord (2) into an outlet.
- Press the power switch (1) located on the rear grille to toggle between hi, off, and low settings.

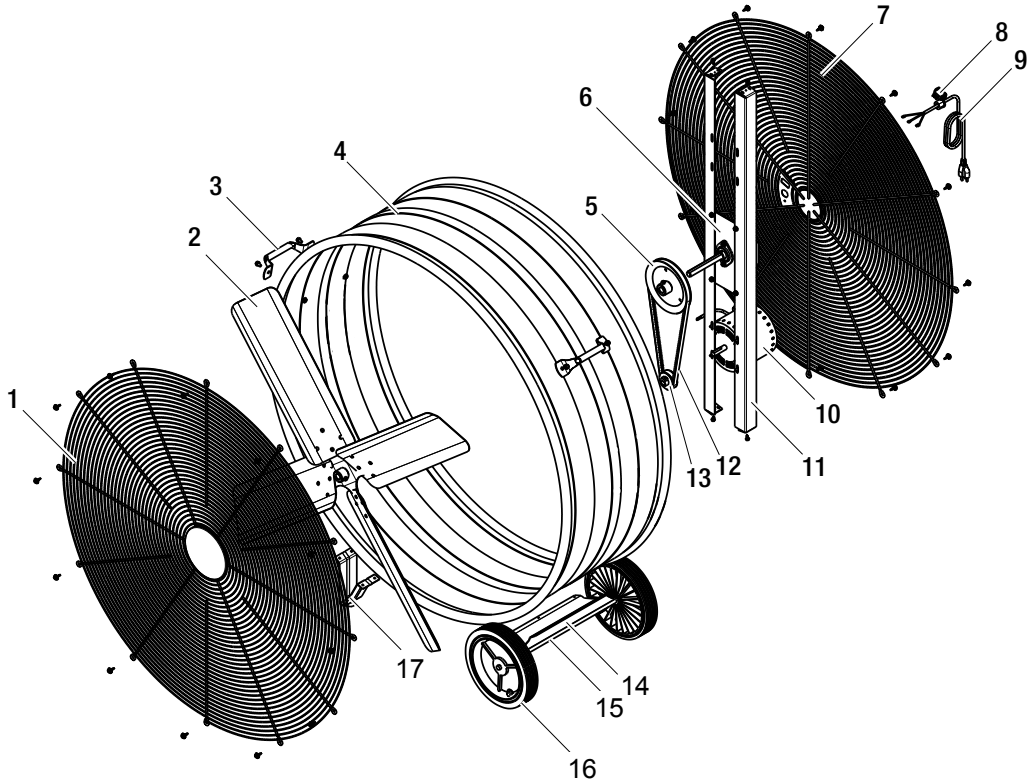


Maintenance

Always unplug or disconnect the fan from the power supply before servicing. Remove grilles to clean with mild detergent and allow them to dry. Reinstall the grilles when finished.

Replacement Parts

For replacement parts, contact the Customer Service Team at 1-877-527-0313 or visit www.HomeDepot.com.



Number	Part Name	Replacement Part (if available)
1	Front Grille	XX42FRTGRIL
2	Fan Blade Assembly	XXM42BDCWKD
3	Handle	XXHANDLEPLS
4	Housing	
5	6 in. Pulley	XXBFPULLEY6
6	Bearing Plate Assembly	XXBEARINGASSY
7	Rear Grille	XX42RGRILL
8	Toggle Switch	XXMSWITCH
9	Power Cord	XEBFPOWERCORD

Number	Part Name	Replacement Part (if available)
10	Motor	XE425
11	Struts	
12	Fan Belt	XXWRFFANBELT
13	2 in. Pulley	XXBRFPULLEY2
14	Axle Bracket	
15	Axle	
16	Wheel	XXBRFWHEEL9
17	Feet and Feet Brackets	



Questions, problems, missing parts? Before returning to the store,
call Commercial Electric Customer Service
8 a.m. - 7 p.m., EST, Monday-Friday, 9 a.m. - 6 p.m., EST, Saturday

1-877-527-0313

HOMEDEPOT.COM

Retain this manual for future use.