

MODEL SED110M

Description

The SED Universal Series bathroom ventilation fan designed to run continuously 24 hours a day to meet the local building codes. Features 5 different CFM capabilities ranging from 80 to 140.

All 5 fan speeds have been factory set to meet the performances noted on the fan chart. The fan performance can be simply changed by adjusting the built-in dip switch.

Under continuous operation, the low speed feature can be adjusted from 30 CFM up to the airflow rate on the high speed setting

Built-In Adjustable Delay Timer can be set from 3 to 30 minutes and activates when motion is no longer detected. This allow the fan to run for an extra few minutes to make sure all the stale air has been removed.

The SED 110M can be ceiling mounted and capable of exhausting air quietly and efficiently.

The fan is HVI certified and holds a special ENERGY STAR approval for it's energy savings value.

It also carries a cETLus evaluation which conforms to UL and cUL safety standards.

Housing

- Made of rugged 26 GA galvanized steel
- The collar is made of a high quality polymeric resin and is removable to allow customers to choose between 4 or 6 inch diameter
- Heavy duty triple point mounting brackets can be adjusted up to 24 inch joist centers without vibration

Motor/Blower

- Totally enclosed brushless DC motor technology. More energy efficient than the minimum ENERGY STAR requirements rated for continuous operation
- Power rating should be 120 volts and 60 Hz
- SED 110M is ETL and cETL listed for tub/shower enclosure when used with a GFCI branch circuit
- Motor comes with a built in overload disconnect for safety and longer motor life
- Operates at lower RPM's to give you quieter operation

Occupancy Sensor

Our occupancy sensor is designed to engage when motion is detected. Once our super infrared motion sensor is activated the high speed is energized. The high speed will continue to run until all motion has stopped.

A time delay allows the fan to continue to run until the stale and humid air has left the bathroom. The time delay ranges between 3-30 minutes which can be adjusted within the fan housing.

Grille

- The Premium grille is low profile that has elegance and still able to maintain its simplicity
- Made of a rugged polymeric resin that's known for its long life durability
- Comes with torsion spring clips that helps mount grille evenly

Specification

- SED 110M Ventilating fan is designed to be ceiling mounted, ENERGY STAR, with variable speed of 80-140 CFM and <0.5 sone as certified by the Home Ventilating Institute (HVI) at 0.1 static pressure in inches water gauge
- Power consumption is no greater than 14.5 watts and ENERGY STAR rated with efficiency rating of a maximum 16.3 CFM/Watt
- Power rating 120v/60Hz
- Can be used to comply with ASHRAE 62.2, LEED, IAP, California Title 24 and WA Ventilation Code

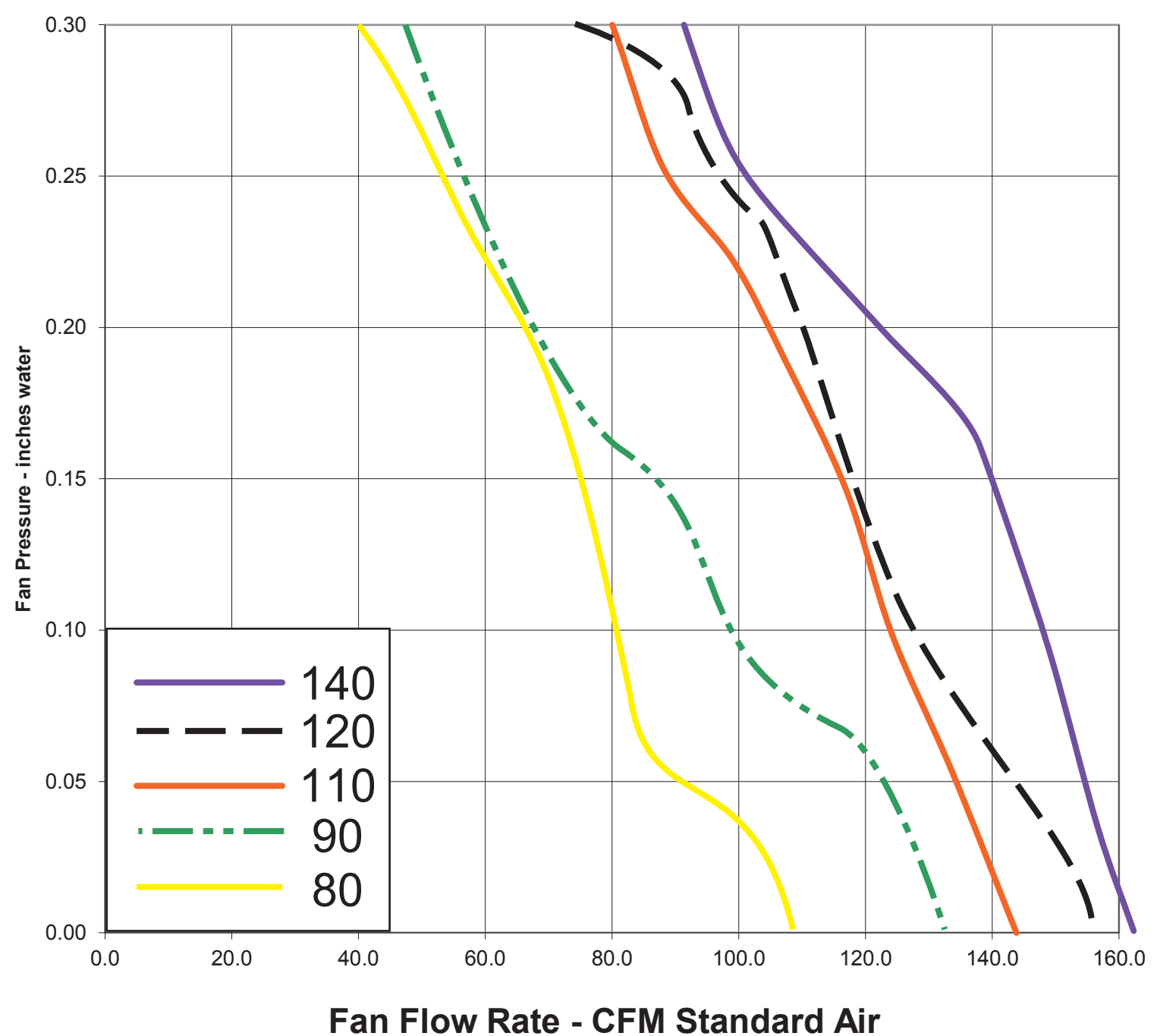
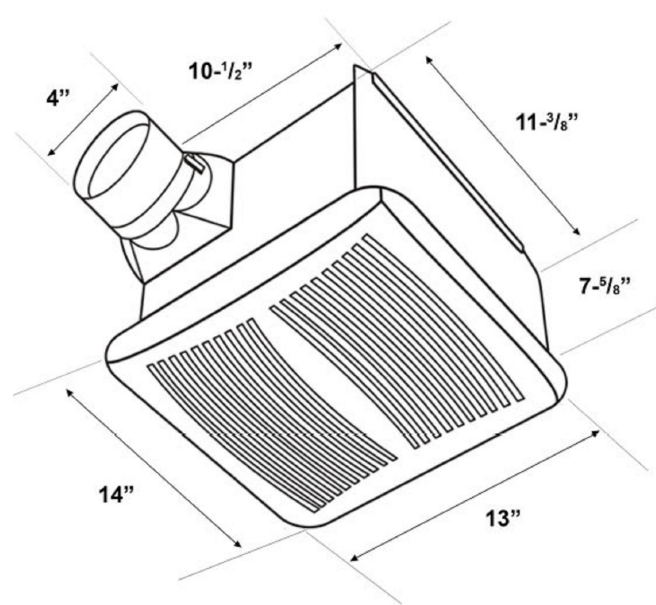
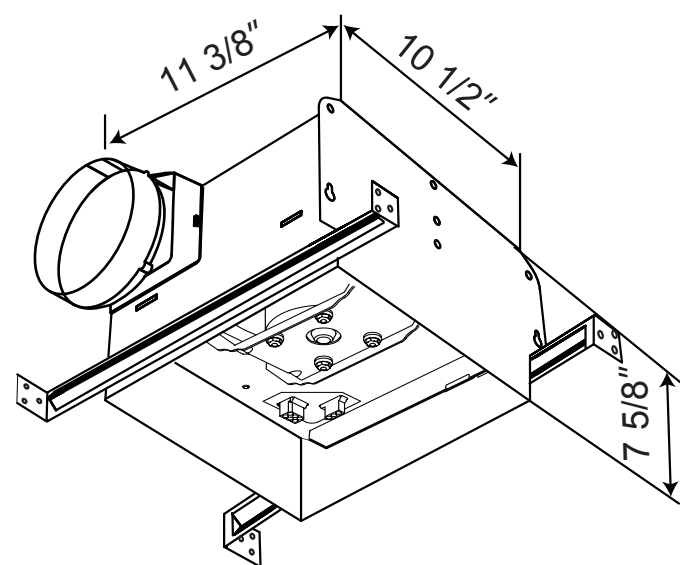


MODEL SED110M

Model Number	SED110M							
Static Pressure in inches w.g.	0.1							
Air Volume (CFM)	80	90	110	120	90	110	120	140
Noise (sones)	0.7	0.7	1.0	1.2	0.3	0.6	0.8	1.1
Fan Watts	5.5W	7W	11.5W	13W	5.5W	10W	11.5W	14.5W
Duct Diameter	4"				6"			
Power Rating (V/Hz)	120/60							

HVI Certified performance based on HVI Procedures 915, 916, and 920.

Other airflow reference performance based on HVI Procedures 915, 916, and 920.



CERTIFICATIONS

