

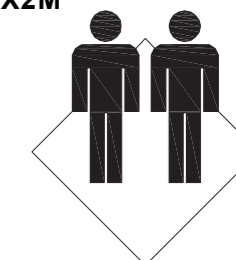
**USER'S MANUAL**  
**3 PCS WICKER SOFA SET**  
**HW65850**

THIS INSTRUCTION BOOKLET CONTAINS **IMPORTANT** SAFETY INFORMATION. PLEASE READ AND KEEP FOR FUTURE REFERENCE.

**Please give us a chance to make it right and do better!**

Contact our friendly customer service department for help first.  
Replacements for missing or damaged parts will be shipped ASAP!

**FLOOR AREA**  
**2MX2M**



**ASSEMBLED BY 2 ADULTS**

**Follow Costway**  
Visit us: [www.costway.com](http://www.costway.com)



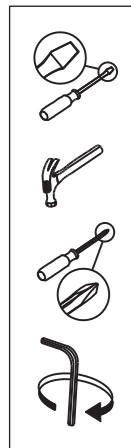
# Contact Us!

**Do NOT return this item.**

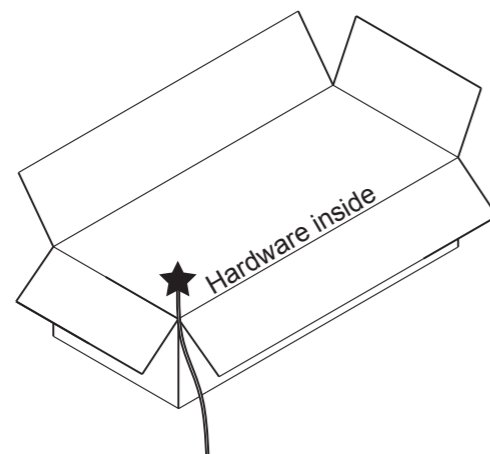
Contact our friendly customer service department for help first.





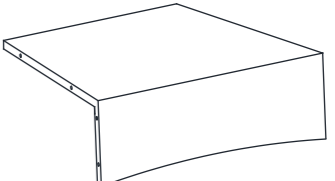
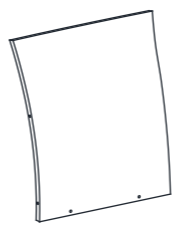
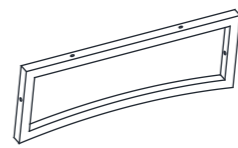
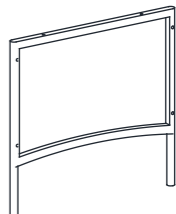
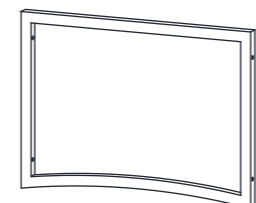
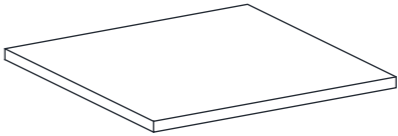
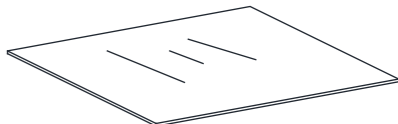
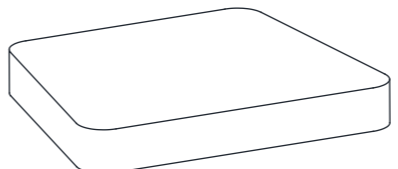
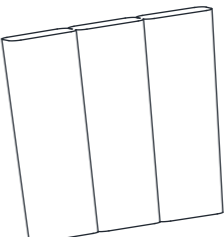
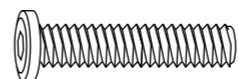
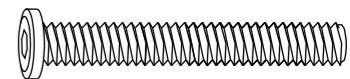

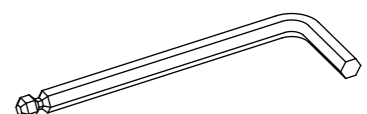
## Before You Start



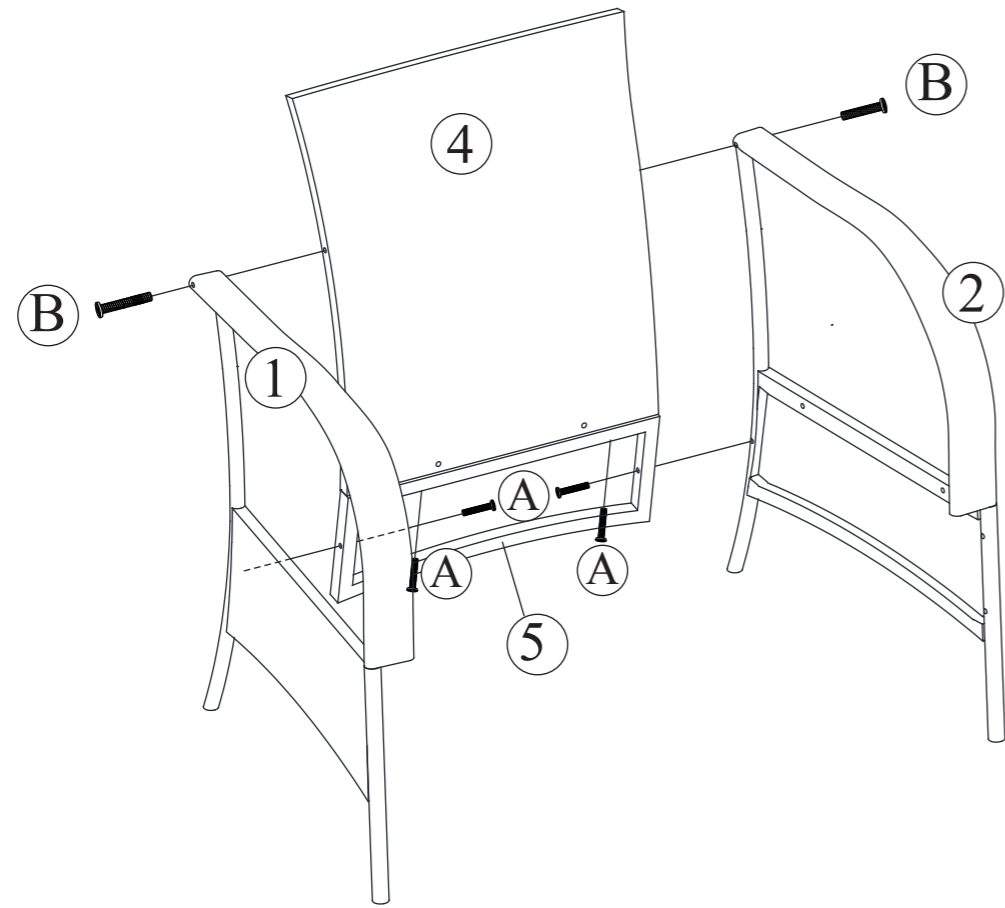
- ⚠ Read each step carefully before starting. It is very important to ensure each step followed in correct order, otherwise assembly difficulties may occur.
- ⚠ Most of board parts are labeled or stamped on the raw edges. Have a check to make sure all parts are included.
- ⚠ Work in a spacious area, preferably on a carpet close to where the unit will be used.
- ⚠ Keep the handtools close at hand. Do not use power tools to assemble your furniture. They may scratch or damage the parts.



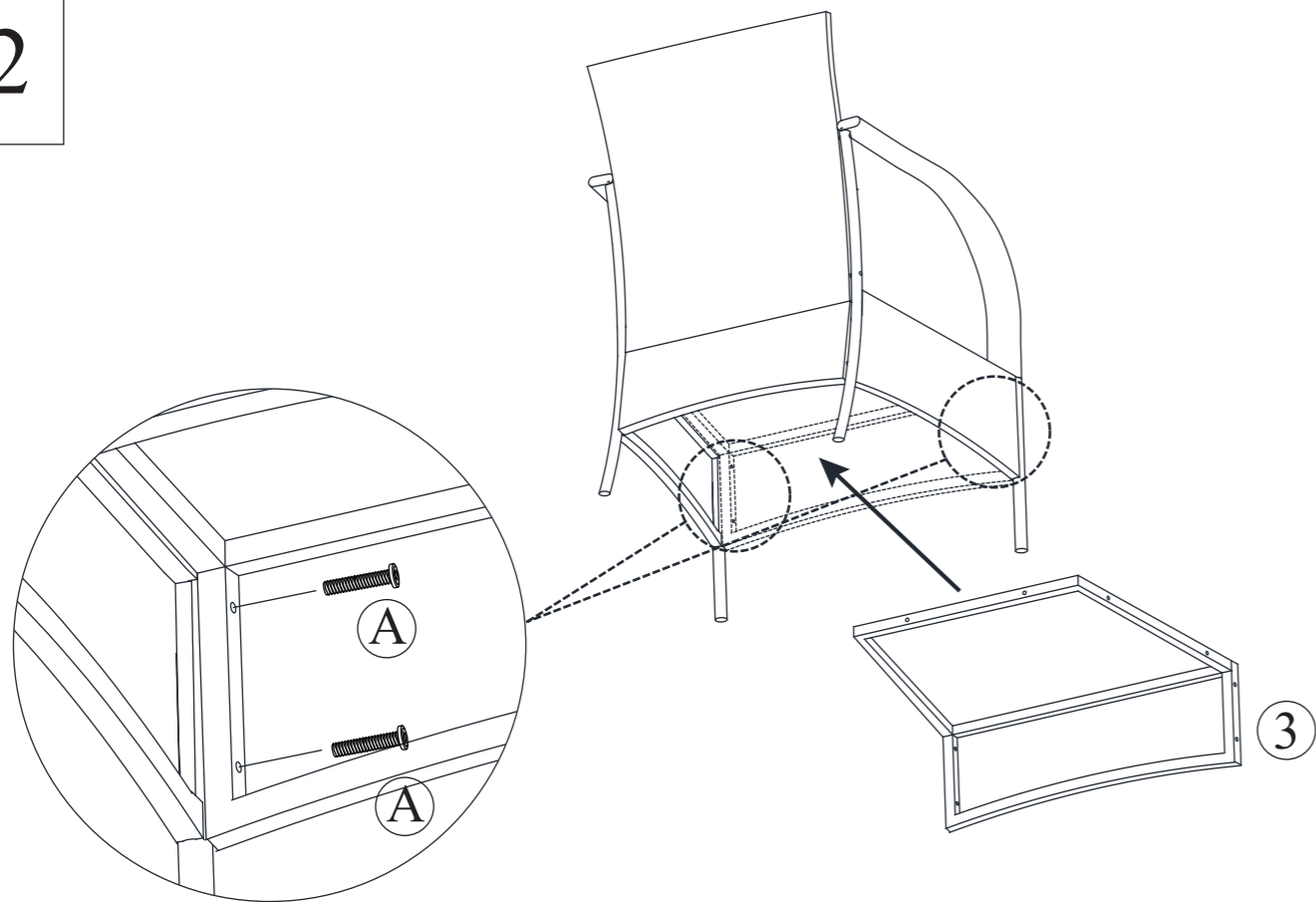
## Component List

 <b>1</b> Right-leg component x2 pcs	 <b>2</b> Left-leg component x2 pcs	 <b>3</b> Seat component x2 pcs
 <b>4</b> Backrest component 1 x2 pcs	 <b>5</b> Backrest component 2 x2 pcs	 <b>6</b> Table leg component 1 x2 pcs
 <b>7</b> Table leg component 2 x2 pcs	 <b>8</b> Table top x1 pc	 <b>9</b> Mirror top x1 pc
 <b>10</b> Cushion x2 pcs	 <b>11</b> Pillow x2 pcs	
 <b>A</b> M6X30 Bolt x40 pcs	 <b>B</b> M6X60 Bolt x4 pcs	
 <b>C</b> Allen Key x1 pce	 <b>D</b> Allen Key with headball x1 pce	

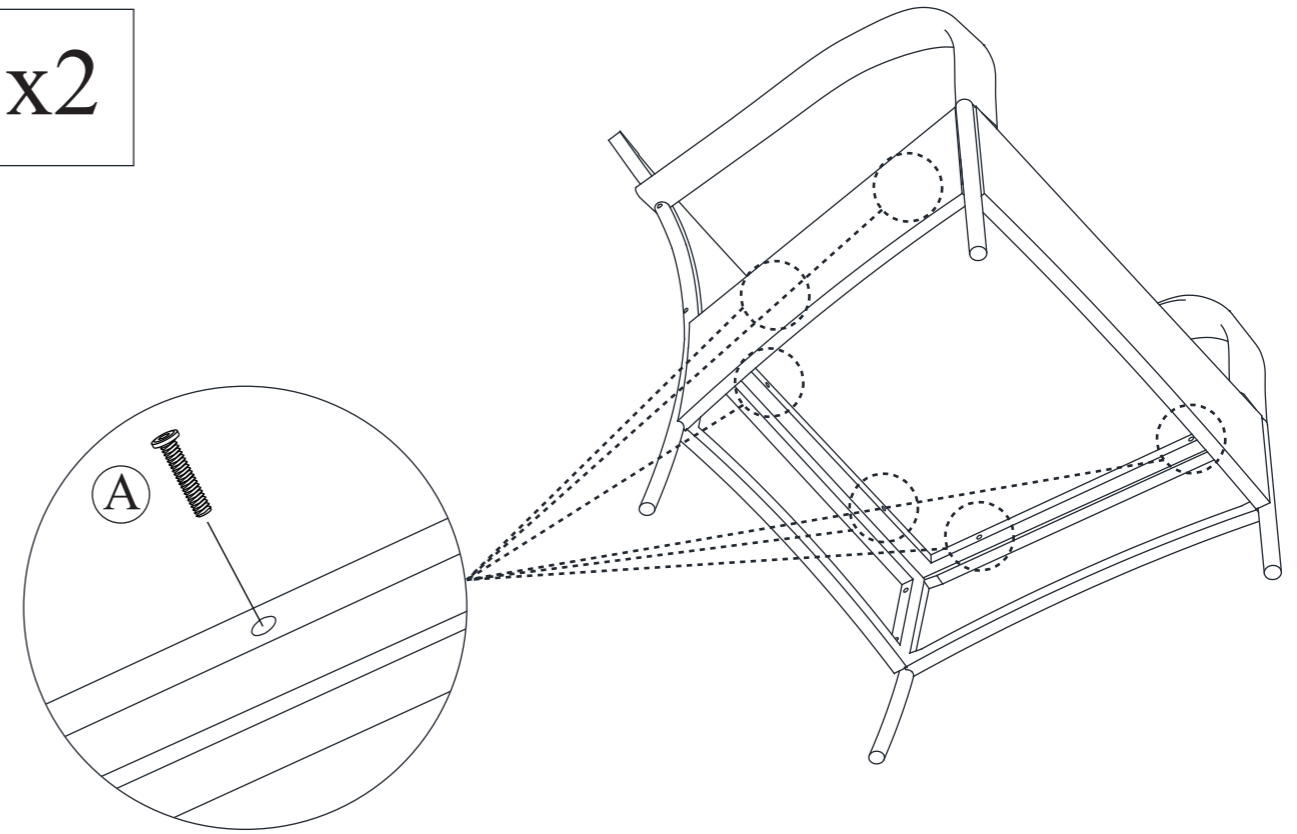
x2



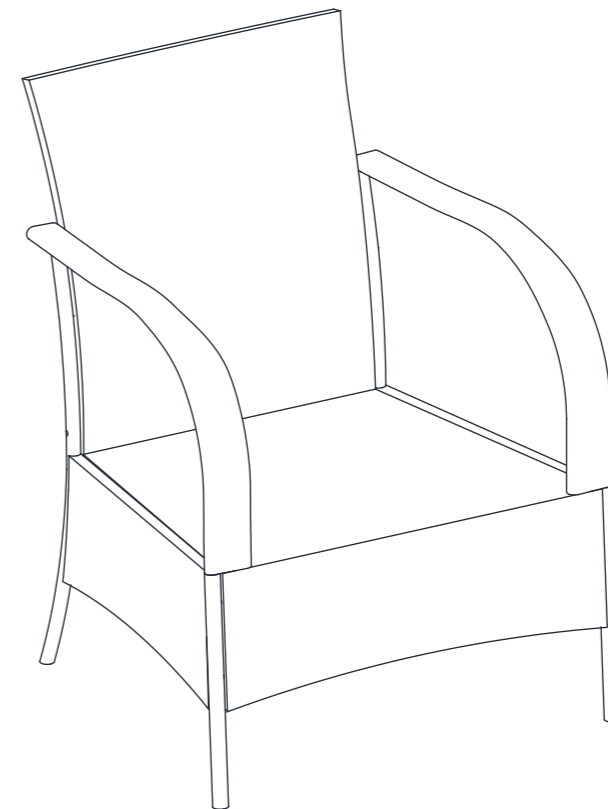
x2

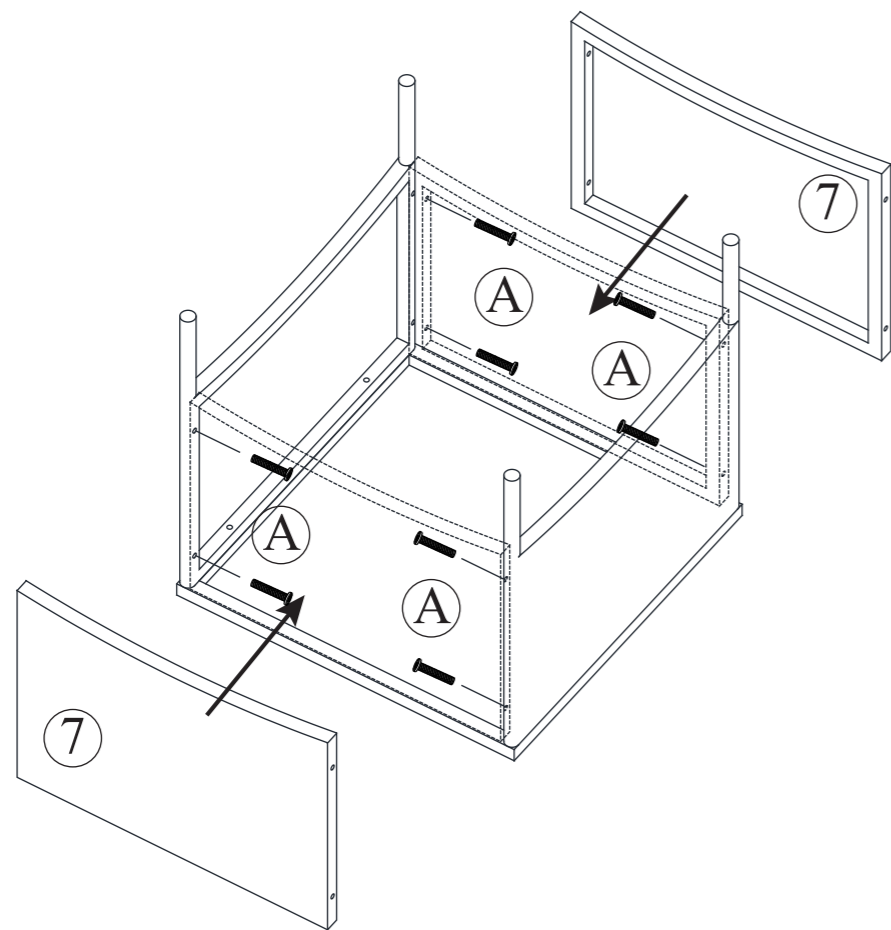
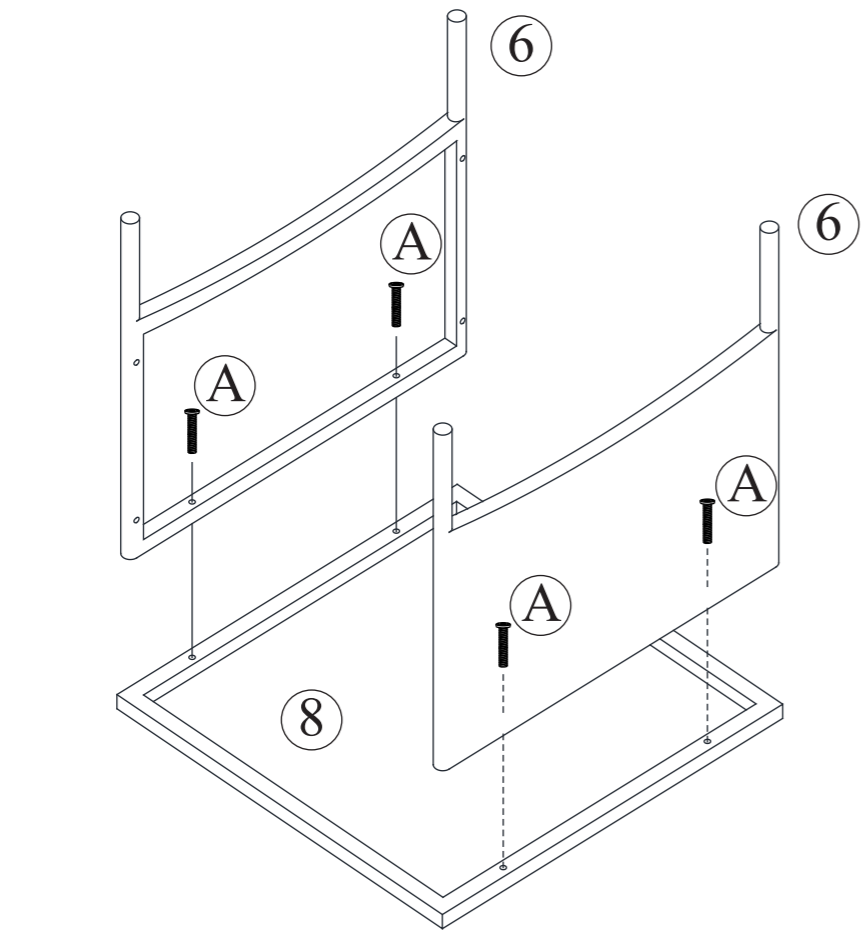


x2

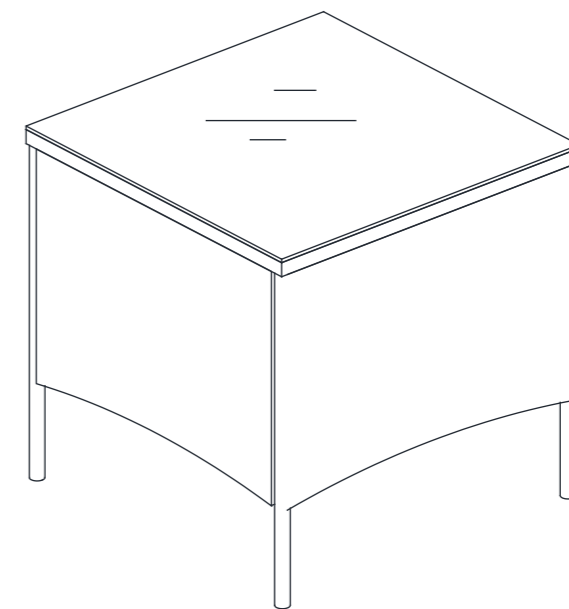
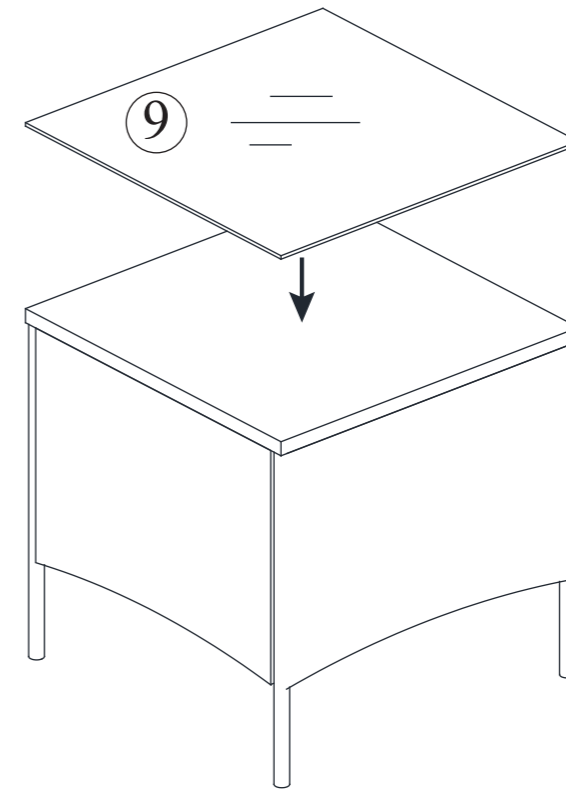


x2

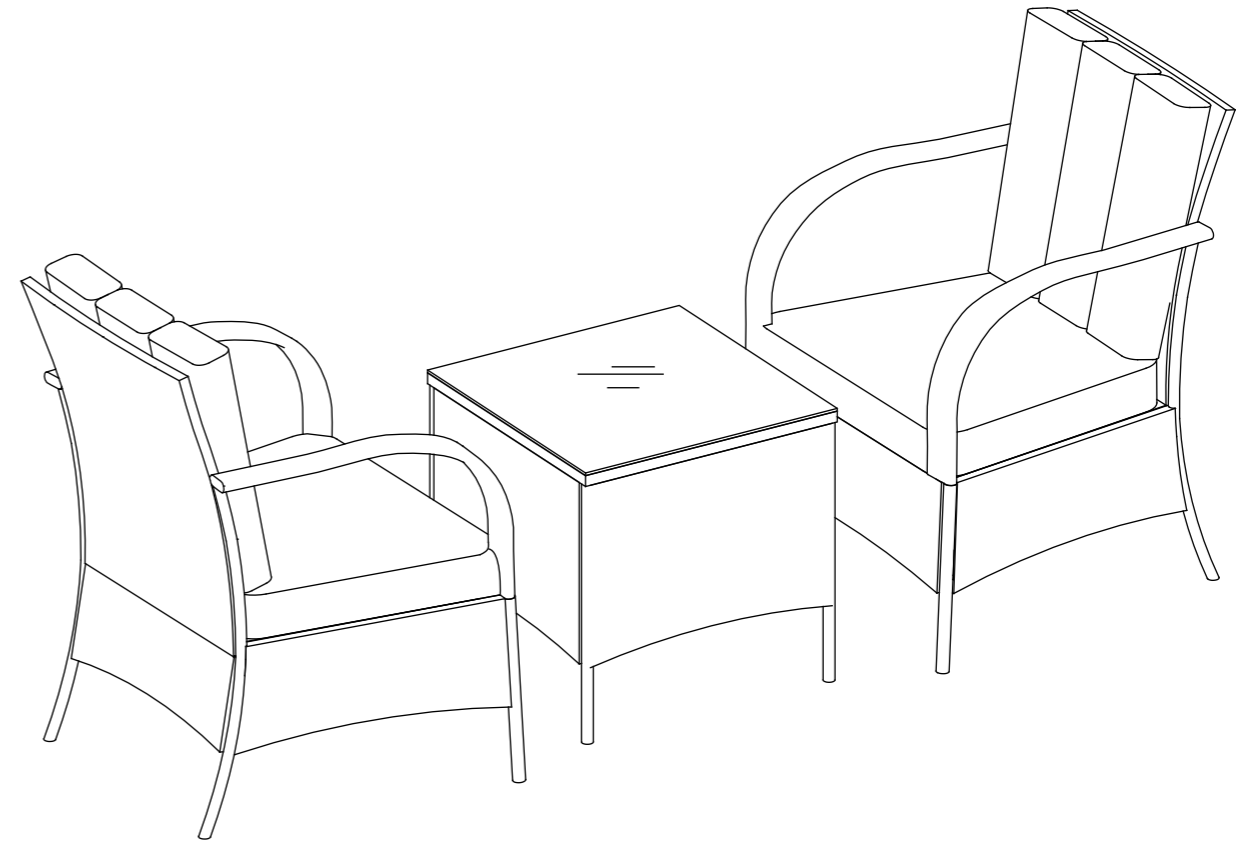
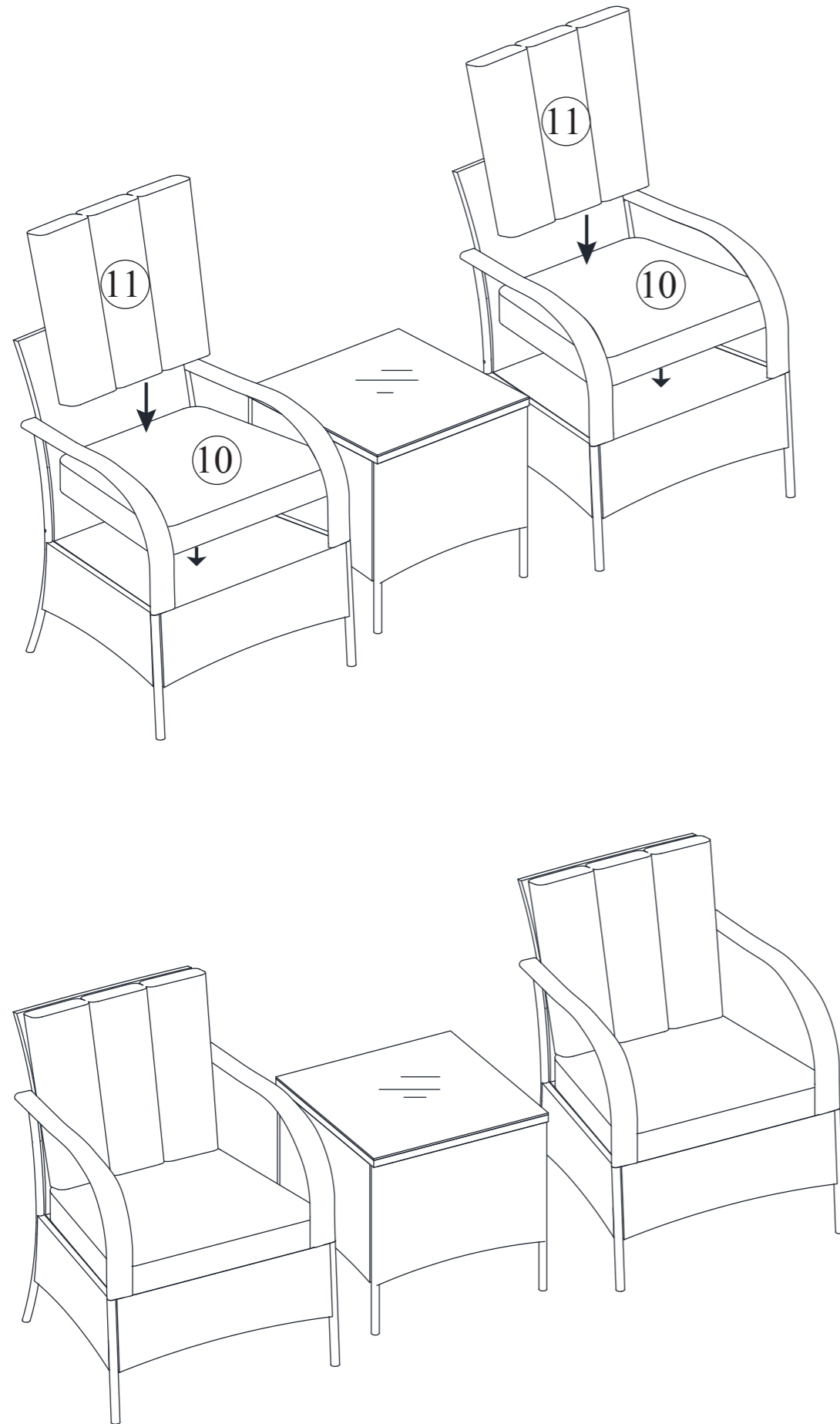




06



07



## Care and Maintenance

Use a soft, clean cloth that will not scratch the surface when dusting.

Use of furniture polish is not necessary.

Should you choose to use polish, test first in an inconspicuous area.

Using solvents of any kind on your furniture may damage the finish.

Liquid spills should be removed immediately. Using a soft clean cloth, blot the spill gently. Avoid rubbing.

Check bolts/screws periodically and tighten them if necessary.

## Further advice about wood furniture care

Please protect your outdoor furniture with a cover when not in use since Long-term sunlight exposure will result in the damage on the surface.

In addition to sunlight damage, wood and metal frame suffers when exposed to extremes in temperature and humidity.

Proper care and cleaning at home will extend the life of your purchase.

Following these important and helpful tips will enhance your furniture as it ages.

## Welcome to visit our website and purchase our quality products!

Your suggestions and comments for COSTWAY are really important to us!  
We sincerely solicit you to go back to our shop and leave a good rating in just a simple click. It would be quite encouraging if you could kindly do so like below:

★★★★★ Great products so far

February 24, 2019

Great products so far. Fast delivery, easy setup, and working without any issues.

**With your inspiring rating, COSTWAY will be more consistent to offer you EASY SHOPPING EXPERIENCE, GOOD PRODUCTS and EFFICIENT SERVICE!**

US office: Fontana, California

UK office: Ipswich



- \* Reward Points
- \* Exclusive Customer Service
- \* Personalized Recommendations
- \* Permanent Shopping Cart
- \* Order History

*5 Star Rating*



We would like to extend our heartfelt thanks to all of our customers for taking time to assemble this product and giving us valuable feedbacks.

