

**Assembly Instruction & Care:**

Please assemble on soft surface after removing contents as not to scratch.  
Enjoy!





Item	Description	Q'ty
<b>A</b>	 Bolt 8x40	05
<b>B</b>	 Bolt 6x40	04
<b>C</b>	 Washer	04
<b>D</b>	 Alien Key	02

Table Top

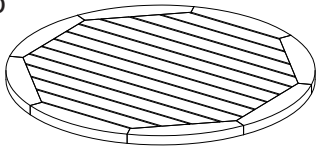


Table Top Frame

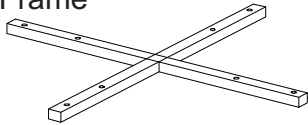


Table Base #1

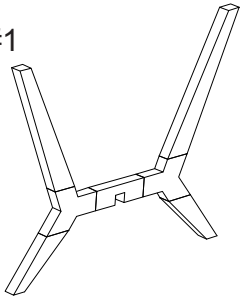
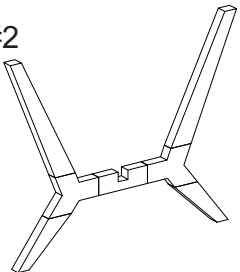
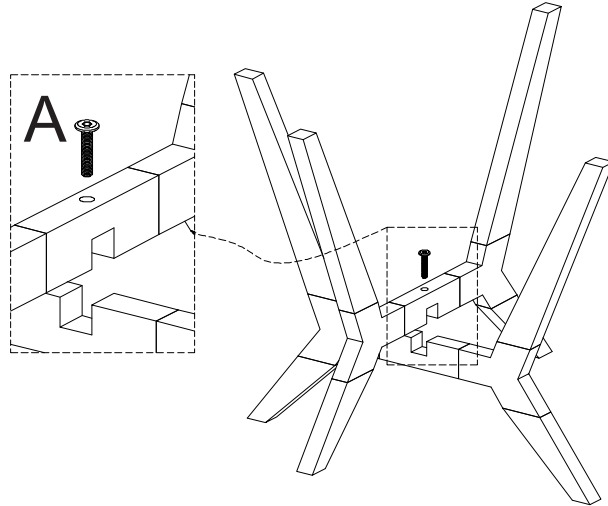


Table Base #2



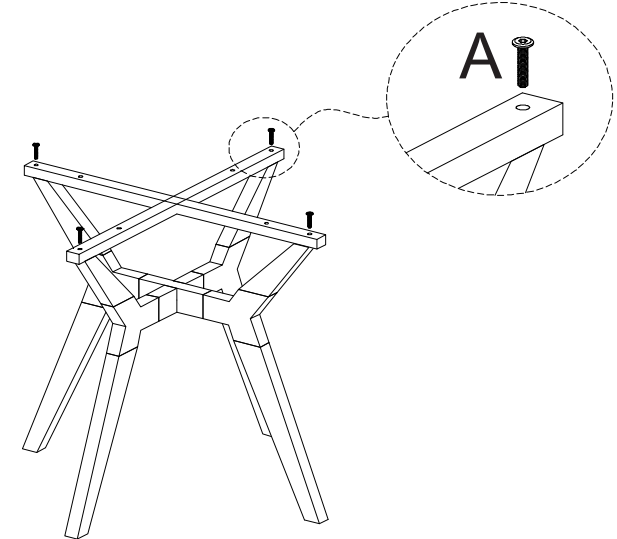
**STEP 1**

- Assemble two table base leg units upside down.
- Attach (1) "A" Bolt - Do NOT fully tighten with tool.



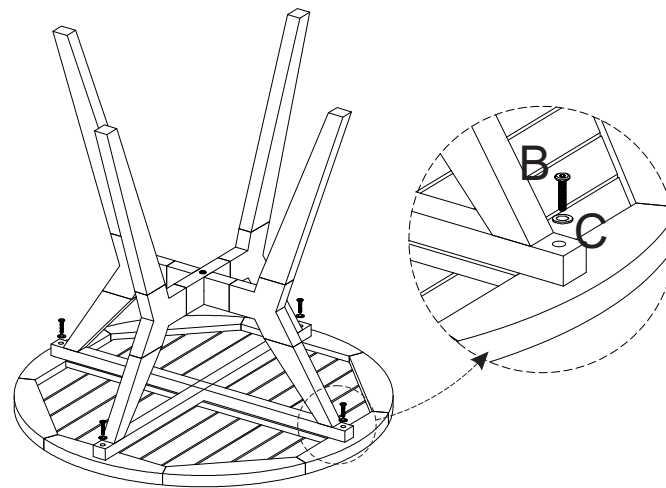
**STEP 2**

- Turn table upright and Fasten (4) "A" Bolts.



**STEP 3**

- Place table top on a soft surface as shown.
- Fasten (4) "B" Bolts and (4) "C" washers to table top underside and frame.



**STEP 4**

- With 2 people carefully stand table upright.
- Now you can tighten up the "A" Bolt from ( Step 1).

