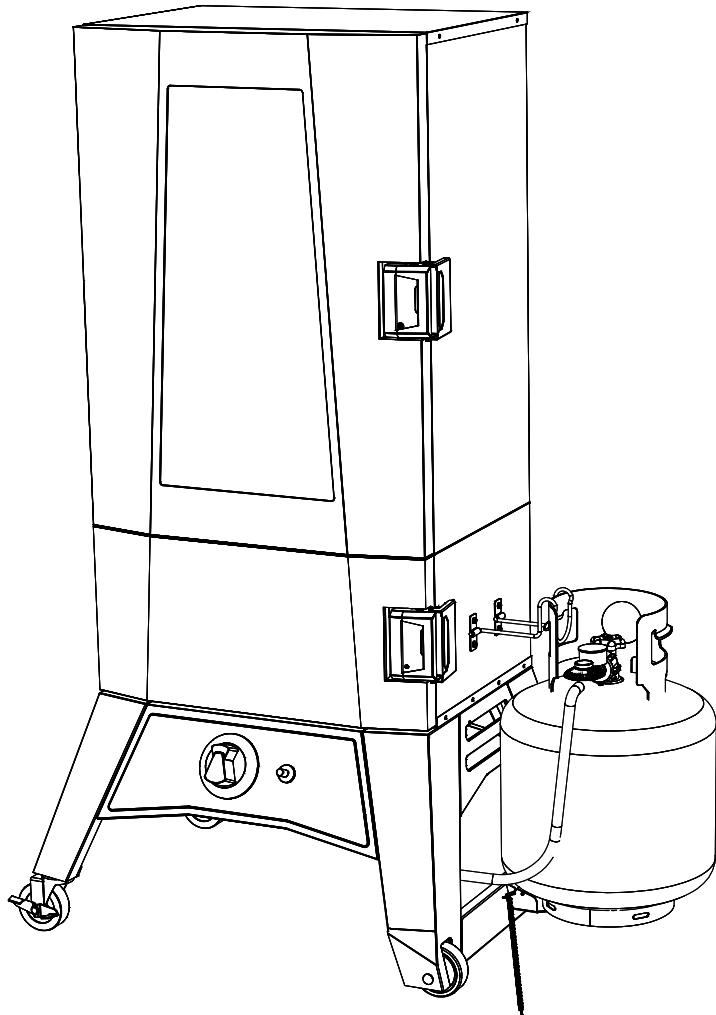




MASTERBUILT®

Welcome to the family. Let's get started.



MPS 330G, MPS 340G

THERMOTEMP PROPANE & XL PROPANE SMOKER
PROPANE THERMOTEMP ET XL FUMEUR DE PROPANE
THERMOTEMP PROPANO Y XL PROPANO FUMADOR

Manual applies to the following model number(s)
Le manuel s'applique aux numéros de modèle suivants
El manual se aplica a los siguientes números de modelo

**MB20050118, MB20050418, MB20050716,
MB20051316, MB21050916, MB21051416,
MB25050816, MB26051316**

Your model number | Votre numéro de modèle | Su número de modelo

Mfg. Date - Serial Number | Date de fabrication - Numéro de série
| Fecha Fabricado - Número de serie

These numbers are located on the rating label of the unit.

Le numéro de série se trouve sur la plaque signalétique de l'unité.

El número de serie se encuentra en la etiqueta de la unidad.

IMPORTANT | IMPORTANTE

Please record this information immediately and keep in a safe place for future use.

Veuillez noter cette information immédiatement et la conserver dans un endroit sûr pour une utilisation future.

Por favor, registrar esta información inmediatamente y guardar en un lugar seguro para su uso futuro.

Manual Code: 9805170017 181127-GSB



Master it. Masterbuilt.

! CARBON MONOXIDE HAZARD !

Burning wood chips gives off carbon monoxide, which has no odor and can cause death.

DO NOT burn wood chips inside homes, vehicles, tents, garages or any enclosed areas.

USE ONLY OUTDOORS where it is well ventilated.

! DANGER !

IF YOU SMELL GAS:

1. Shut off gas to the appliance.
2. Extinguish any open flame.
3. Open/remove door.
4. If odor continues, keep away from the appliance and immediately call your Fire Department.

! WARNING !

This manual contains important information necessary for the proper assembly and safe use of the appliance.

Read and follow all warnings and instructions before assembling and using the appliance.

Follow all warnings and instructions when using the appliance.

Keep this manual for future reference.

! Failure to follow these instructions could result in fire, explosion or burn hazard which could cause property damage, personal injury, or death. !

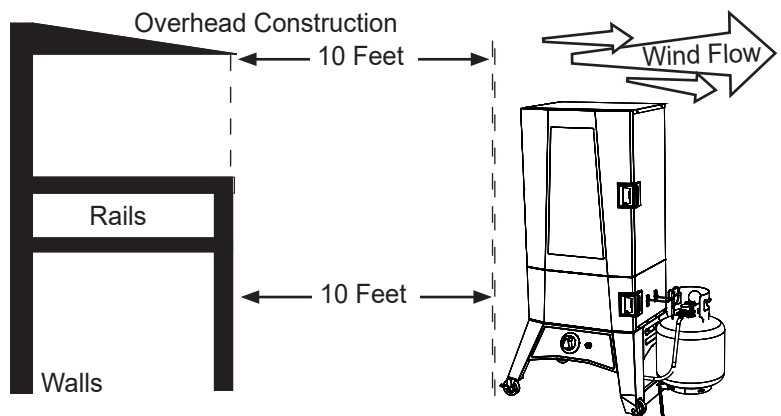
! DANGER !

1. Never operate this appliance unattended.
2. Never operate this appliance within 10 feet (3.0m) of any structure, combustible material or other gas cylinder.
3. Never operate this appliance within 25 feet (7.5m) of any flammable liquid.
4. If fire should occur, keep away from appliance and immediately call your fire department. Do not attempt to extinguish an oil/grease fire with water.

STRUCTURAL PROXIMITY AND SAFETY USAGE RECOMMENDATIONS

Before using smoker check wind direction and place cylinder DOWNWIND. This is necessary so that cylinder supply system is arranged for vapor withdrawal.

! WARNING: HOSE IS A TRIP HAZARD THAT COULD CAUSE SUPPLY CYLINDER TO TIP !





GENERAL WARNINGS AND SAFETY INFORMATION



READ ALL INSTRUCTIONS

- Always use unit in accordance with all applicable local, state and federal fire codes.
- Before each use check all nuts, screws and bolts to make sure they are tight and secure.
- Never operate unit under overhead construction such as roof coverings, carports, awnings, or overhangs.
- Unit is for **OUTDOOR HOUSEHOLD USE ONLY**.
- Never use inside enclosed areas such as patios, garages, buildings or tents.
- Never use inside or on recreational vehicles or boats.
- Maintain a minimum distance of 10ft (3m) from overhead construction, walls, rails or other structures.
- Keep a minimum 10ft (3m) clearance of all combustible materials such as wood, dry plants, grass, brush, paper, or canvas.
- Never use unit for anything other than its intended use. This unit is **NOT** for commercial use.
- Accessory attachments not supplied by Masterbuilt Manufacturing, LLC are **NOT** recommended and may cause injury.
- Use of alcohol, prescription or non-prescription drugs may impair user's ability to properly assemble or safely operate unit.
- Keep a fire extinguisher accessible at all times while operating unit.
- When cooking with oil or grease, have a type BC or ABC fire extinguisher readily available.
- In the event of an oil or grease fire do not attempt to extinguish with water. Immediately call the fire department. A Type BC or ABC fire extinguisher may, in some circumstances contain the fire.
- Use unit on a level, non-combustible, stable surface such as dirt, concrete, brick or rock. An asphalt surface (blacktop) may not be acceptable for this purpose.
- Unit **MUST** be on the ground. Do not place unit on tables or counters. Do **NOT** move unit across uneven surfaces.
- Do not use unit on wooden or flammable surfaces.
- Keep unit clear and free from combustible materials such as gasoline and other flammable vapors and liquids.
- Do not leave unit unattended.
- Keep children and pets away from unit at all times. Do **NOT** allow children to use unit. Close supervision is necessary should children or pets be in area where unit is being used.
- Do **NOT** allow anyone to conduct activities around unit during or following its use until it has cooled.
- Never use glass, plastic or ceramic cookware in unit. Never place empty cookware in unit while in use.
- Never move unit when in use. Allow unit to cool completely (below 115°F (45°C)) before moving or storing.
- Store only when fire is completely out and all surfaces are cold.
- Never use unit as a heater (**READ CARBON MONOXIDE HAZARD**).
- The unit is **HOT** while in use and will remain **HOT** for a period of time afterwards and during cooling process. Use **CAUTION**. Wear protective gloves/mitts.
- Be careful when removing food from unit. All surfaces are **HOT** and may cause burns. Use protective gloves/mitts or long, sturdy cooking tools for protection from hot surfaces or splatter from cooking liquids.
- **DO NOT** bump or impact the unit to prevent personal harm, damage to unit or spillage/splashing of hot cooking liquid.
- Do not touch **HOT** surfaces
- Unit is hot during use. To avoid burns, keep face and body away from door, lid and vents. Steam and hot air are expelled during use.
- Air dampers are **HOT** while the unit is in use and during cooling; wear protective gloves when adjusting.
- Unit has an open flame. Keep hands, hair, and face away from burner flame. Do **NOT** lean over burner when lighting. Loose hair and clothing may catch fire.
- **DO NOT** obstruct flow of combustion and ventilation.
- Do not cover cooking racks with metal foil. This will trap heat and may cause damage to the unit.
- Installation of unit must conform with local codes or in the absence of local codes, with National Fuel Gas Code, ANSI Z223.1/NFPA 54, Storage and Handling of Liquefied Petroleum Gases, ANSI/NFPA 58 or CSA B149.1, Natural Gas Installation Code; Propane Storage and Handling, CSA B149.2; or the Standard for Recreational Vehicles, ANSI A119.2/NFPA 1192; and Recreational Vehicle Code, CSA Z240 RV Series as applicable.
- Before each use inspect gas hose for signs of damage.
- Keep fuel supply hose away from any heated surface.

**WARNINGS & IMPORTANT SAFEGUARDS
CONTINUED ON PAGE 4**



GENERAL WARNINGS AND SAFETY INFORMATION



WARNINGS & IMPORTANT SAFEGUARDS CONTINUED FROM PAGE 3

- Keep fuel supply hose away from unit while in operation.
- Regulator and hose assembly supplied with unit **MUST** be used. For replacement parts, if needed, contact Masterbuilt Customer Service at 1-800-489-1581.
- Use 20LB (9kgs) gas cylinder that has protective collar (cylinder not included with unit).
- Keep ventilation openings of cylinder enclosure free and clear of debris.
- LP gas cylinder being used must be constructed and marked in accordance with specifications for LP gas cylinders of the US Department of Transportation (DOT) or the Standard for Cylinders, Spheres and Tubes for the Transportation for Dangerous Goods, CAN/CSA-B339.
- Never use gas cylinder if there is evidence of dents, gouges, bulges, fire damage, erosion, leakage, excessive rust, or other forms of visible external damage. This may be hazardous and cylinder should be taken to a liquid propane supplier to be checked.
- Never attach/disconnect gas cylinder, move or alter gas fittings when unit is in operation.
- Always disconnect gas cylinder from unit when not in use.
- Unit is designed to work with propane gas only. Only use gas cylinders marked propane with this unit.
- This product will **NOT** operate with natural gas.
- When use is complete, always, first turn the smoker control knob OFF, then turn the gas cylinder valve OFF, and finally disconnect the cylinder.
- Gas **MUST** be turned off at the supply cylinder when not in use.
- Cylinder **MUST** be stored outdoors, out of children's reach and must **NOT** be stored in a building, garage, or any other enclosed area.
- Do **NOT** store spare LP gas cylinder under or near unit. Gas cylinder safety relief valve may overheat allowing gas to release causing fire which may cause death or serious injury.
- Never fill cylinder over 80% full or cylinder may release gas causing fire which may cause death or serious injury.
- Place a dust cap on cylinder valve outlet whenever cylinder is not in use. Only install dust cap provided with cylinder. Other caps or plugs may cause leaks.
- If you smell, hear or see gas escaping, immediately get away from gas cylinder and call the Fire Department. Fire may cause death or serious injury.
- Reference ignition steps before use.
- Never use lighter fluid with propane.
- Wood chips or wood chunks must be used in order to produce smoke and create the smoke flavor.
- Flame disk bowl/ wood chip tray/bowl is **HOT** when unit is in use. Use caution when adding wood.
- Check grease tray often during cooking. Empty grease tray before it gets full. Grease tray may need to be emptied periodically during cooking.
- Do not open upper smoker door(s) unless necessary. Opening smoker door(s) causes heat to escape, which may cause extended cooking time and may cause wood to flare up. Closing the door(s) will re-stabilize the temperature and stop flare up.
- This is a smoker. There will be a lot of smoke produced when using wood chips. Smoke will escape through seams and turn the inside of smoker black. This is normal. To minimize smoke loss around door(s), door latch(s) can be adjusted to further tighten door seal against body.
- To adjust door handle/latch, loosen the two screws that mount the door hook to the smoker body. Slide the door hook forward or rearward as needed to achieve the desired door seal. Then retighten the two door hook screws. Be sure not to set the door handle/latch too tight as it could cause damage to the unit and make it difficult to operate. The door should be adjusted so that it closes completely.
- When outside temperature is cooler than 65°F (18°C) and/or altitude is above 3,500 feet (1067m), additional cooking time may be required. To insure that meat is completely cooked use a meat thermometer to test internal temperature.
- Do not use wood pellets.
- Food needs to be in the center of smoking racks. This allows food drippings to go into the water bowl.
- Do not leave old wood or ashes in the flame disk bowl/woodchip tray/bowl. Once ashes are cold, empty bowl/tray. Bowl/tray should be cleaned out prior to, and after each use to prevent ash and residue buildup.
- Dispose of cold ashes by placing them in aluminum foil, soaking with water and discarding in a non-combustible container.
- Do not store unit with **HOT** ashes inside unit.

SAVE THESE INSTRUCTIONS

SMOKER OPERATION - READ & FOLLOW ALL INSTRUCTIONS CAREFULLY

GETTING STARTED

- Pre-season unit prior to first use. See **PRE-SEASON INSTRUCTIONS**.
- Before starting the unit, see **ADDING WOOD CHIPS OR ADDING WOOD CHUNKS**.
- This smoker is equipped with door stops that will hold the door open during loading and unloading of food.
- This smoker is calibrated to be within +/- 25°F of each set point. Depending on the amount of food in the smoker and the outside environment a slight adjustment may be needed to reach the exact temperature desired.

CAUTION - All surfaces are HOT and may cause burns. Use protective gloves or long, sturdy cooking tools when loading/unloading food or racks, and when adding wood chips or water.

PRE-SEASON INSTRUCTIONS

Curing your smoker will rid the unit of chemicals and oils left over by the manufacturing process allowing them to burn off.

PRE-SEASON SMOKER PRIOR TO FIRST USE.

1. Perform soapy water test, see **SOAPY WATER TEST WARNINGS AND PROCEDURES**.
2. Using a napkin or cloth, rub a light coat of cooking oil on smoking racks and inside smoker door. Make sure water pan is in place with **NO WATER**.
3. Start smoker, set to 350°F (177°C) and let the smoker burn for about 1 hour.
4. Allow unit to cool **COMPLETELY**.
5. Reapply light coat of cooking oil on smoking racks and inside of smoker door.
6. Restart smoker and burn for 20 minutes.
 - **Cure your smoker periodically to prevent excessive rust.**

OPERATING INSTRUCTIONS

1. To start smoker see **IGNITION INSTRUCTIONS**.
2. With protective gloves on, place water bowl in position. Pour 1 inch of water, juice, or vinegar into water bowl. This will add flavor and moisture to food and prevent it from drying out.
3. **DO NOT** cover racks with aluminum foil as this will not allow heat to circulate properly.
4. **ADDING WOOD CHIPS:** Pre-heat smoker to desired temperature for approximately 20 minutes. After unit has reached desired temperature, place up to 1 cup (0.24l) of wood chips in wood chip tray.
ADDING WOOD CHUNKS: Before pre-heating smoker, place up to 1 cup (0.24l) of wood chunks in wood chip tray, then pre-heat smoker to desired temperature for approximately 20 minutes. Wood chip tray may not close fully when using wood chunks.
 - You may use dry or pre-soaked wood chips or chunks in your smoker. Dry chips or chunks will burn faster and produce more intense smoke. Chips or chunks pre-soaked in water (for approximately 30 minutes) will burn slower and produce a less intense smoke.
 - **DO NOT ADD MORE THAN 1 CUP (0.24l) OF WOOD CHIPS OR CHUNKS AT A TIME. Never use wood pellets.**
 - Place additional wood chips or chunks in smoker as needed to achieve desired smoke flavor.
 - **Wood chips or chunks must be used in order to produce smoke and create the smoke flavor.**
5. Place food in the smoker, position on the center of the smoking rack.
6. **DO NOT** overload smoker with food. Extra large amounts of food may trap heat, extend cooking time and cause uneven cooking. Leave space between food on racks and smoker sides to ensure proper heat circulation. If utilizing cooking pans, be sure pans do not cover more than 75% of the rack space and place pans on center of rack to ensure even cooking.
7. When smoking one or two items, use top two racks for best results.
8. Adjust smoker settings, control knob and air damper, to desired cooking temperature.
 - Close air damper on unit to retain moisture and heat. If cooking foods such as fish or jerky, open air damper to release moisture.
9. If wood chips or chunks do not smoke on low setting, open bottom door slightly for approximately 2 minutes. This will allow the cabinet temperature to fall which will cause the burner to adjust to a larger flame and will begin the smoking process.
10. Use caution when cooking on windy days to ensure the flame does not blow out. If you suspect or experience a flame blow out, first open the door to check the flame and follow the **IGNITION INSTRUCTIONS** to re-ignite the burner if needed. Adjust the smoker control knob setting for a higher flame to prevent further blow outs. Never ignite smoker with the door closed.
11. Extreme cold temperatures may extend cooking times.
12. Once cooking is complete turn unit OFF, see **IGNITION INSTRUCTIONS** for turning off unit, remove the gas cylinder and then follow **CLEANING and STORING INSTRUCTIONS**. **CLEAN AFTER EVERY USE.** This will extend the life of your smoker and prevent mold and mildew.

CLEANING and STORING INSTRUCTIONS

- **ALWAYS MAKE SURE UNIT IS COOL TO THE TOUCH BEFORE CLEANING AND STORING.**
- Be sure to clean smoker after each use. Make sure the gas cylinder has been turned off and removed.
- For rack supports, racks, water bowl, and drip pan use a mild dish detergent. Rinse and dry thoroughly.
- For wood chip tray clean frequently to remove ash build up, residue and dust.
- Dispose of cold ashes by placing them in aluminum foil, soaking with water and discarding in a non-combustible container.
- For the interior, exterior and door seal of the unit simply wipe down with a damp cloth after each use to keep unit in proper working condition. Do not use a cleaning agent. Make sure to dry thoroughly.
- After cleaning, store smoker in a covered and **DRY AREA**.
- Store only when fire is completely out and all surfaces are cold.
- When not in frequent use and using a cover, remember to check your smoker periodically to avoid possible rust and corrosion due to moisture buildup.

CHECK OUT MASTERBUILT.COM FOR MORE TIPS AND RECIPE VIDEOS.



WARNING

PERFORM “SOAPY WATER TEST” BEFORE EACH USE. SEE “SOAPY WATER TEST” SECTION IN MANUAL. EXTINGUISH ALL OPEN FLAMES BEFORE CONNECTING REGULATOR TO GAS CYLINDER. TURN GAS OFF AFTER EACH USE.

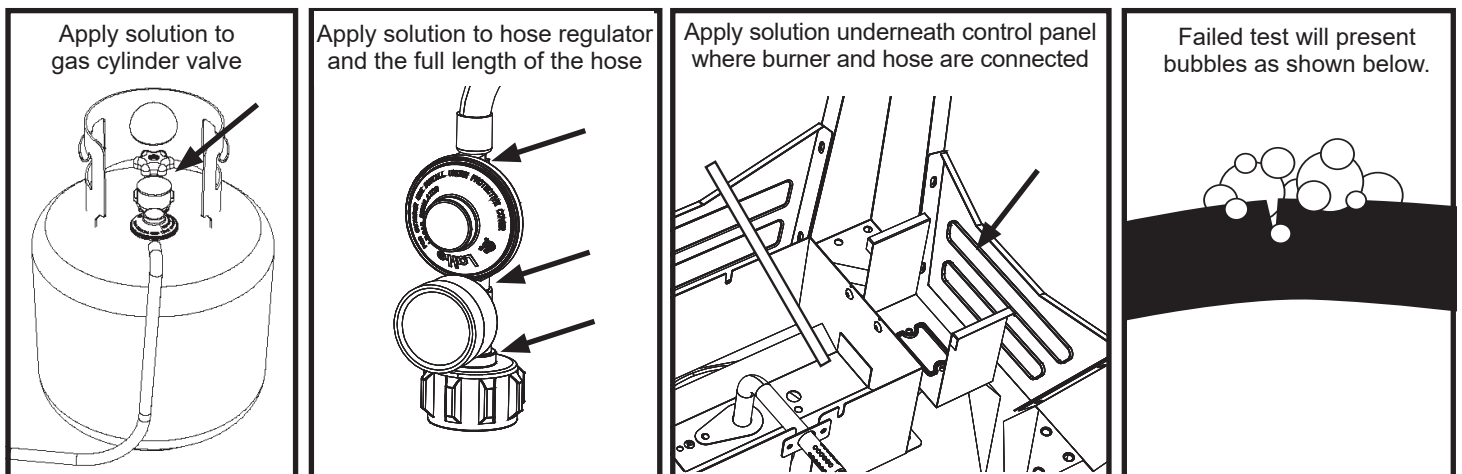
SOAPY WATER TEST WARNINGS & PROCEDURES

WARNINGS

- Soapy Water Test **MUST** be performed each time gas cylinder is connected to burner/hose or each time it is used.
- Soapy Water Test **MUST** be performed outdoors in well ventilated area.
- When performing Soapy Water Test keep unit away from open flames, sparks or lit cigarettes.
- Never use an open flame to test for gas leaks.

PREPARATION:

- Remove any cookware and accessories from unit.
- Make sure gas cylinder valve and control knob are turned to the OFF position.
- Prepare soapy water solution: (1) part dish washing liquid (or more if desired), (3) parts water.
- Apply soapy water solution to gas cylinder valve, regulator and hose length up to burner control valve.



TESTING GAS CYLINDER VALVE:

- Turn gas cylinder valve ON and watch for bubbles. **DO NOT LEAVE GAS ON MORE THAN 12 SECONDS.** If bubbles appear, stop, turn gas cylinder valve OFF and retighten fitting. Repeat test.

TESTING REGULATOR AND HOSE:

- **AFTER** gas cylinder valve has passed Soapy Water Test, turn gas cylinder valve ON and check for bubbles at regulator location, along full length of hose and at burner control valve. **DO NOT LEAVE GAS ON MORE THAN 12 SECONDS.** If bubbles appear, stop, turn gas cylinder valve OFF and retighten the connection that is leaking gas. If hose is source of leak, **STOP**, do not use unit. Hose must be replaced.
- **WHEN TEST IS COMPLETE, AND THERE ARE NO LEAKS, WAIT MINIMUM OF 5 MINUTES FOR GAS FUMES TO DIMINISH BEFORE LIGHTING SMOKER.**

DURING ANY PORTION OF SOAPY WATER TEST IF BUBBLES CONTINUE TO APPEAR, STOP, DO NOT USE UNIT. CONTACT LOCAL PROPANE DEALER OR MASTERBUILT CUSTOMER SERVICE AT 1-800-489-1581.

Note: Use 20LB (9kgs) gas cylinder that has a protective collar with this unit. Cylinder NOT included with this unit.

IGNITION INSTRUCTIONS

REGULATOR, BURNER AND GAS VALVE CONNECTION & OPERATION

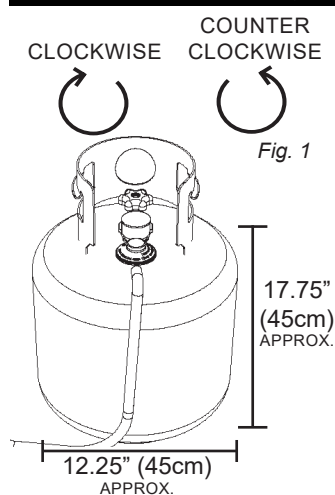


Fig. 1

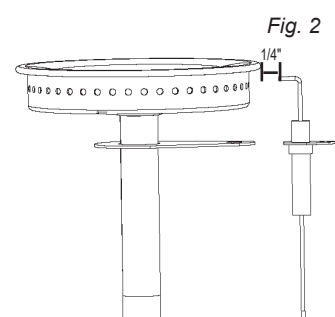


Fig. 2

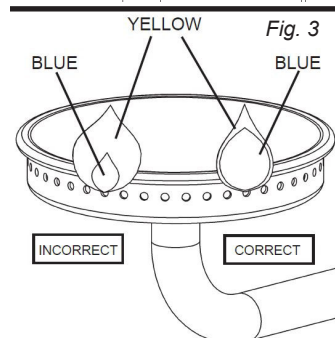


Fig. 3

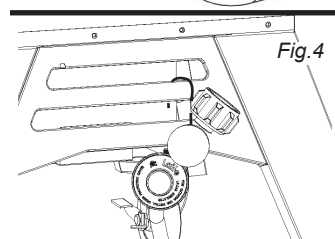
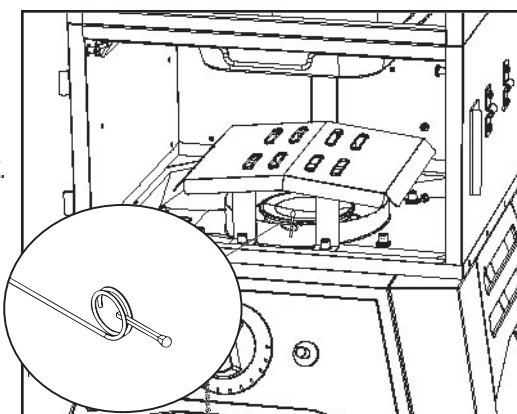


Fig. 4

- Inspect hose before each use. If there are signs of abrasion, wear, cuts, or leaks, the hose must be replaced. **DO NOT USE.**
- Inspect burner before each use. Check burner and burner venturi tube for insects and insect nests. A clogged tube can lead to a fire beneath unit.
- Check to ensure the orifice is centered inside the venturi tube. Failure to properly assemble the valve orifice to the venture tube can result in gas leak or potential fire at connection. See assembly steps for proper assembly method.
- Check to ensure the igniter pin is properly spaced and aligned to the burner. Igniter pin should be approximately 1/4" from the burner and aligned to the top of a burner port (Fig. 2). Confirm spacing is correct by pressing the igniter button and ensuring spark occurs between igniter pin and burner.
- Connect hose regulator to LP Gas Cylinder
 1. Make sure gas cylinder valve is closed. Turn valve clockwise until it stops.
 2. Make sure control knob on smoker is in the OFF position.
 3. Remove protective cap from gas cylinder and coupling nut if applicable.
 4. Center and insert regulator nipple into valve outlet on gas cylinder (Fig. 1). Turn regulator coupling nut clockwise until it stops. **DO NOT OVER TIGHTEN.**
- Perform Soapy Water Test.
- Before starting lighting procedure make sure the smoker door(s) are open.
- When lighting burner remove all parts inside or on unit to prevent explosion from gas build up.
- To use, turn gas cylinder valve ON, push control knob in, hold and and turn counter-clockwise to desired temperature setting. Push igniter button to light, after ignition continue holding control knob in for 5 seconds to activate the flame sensor.
- If ignition does not take place within five seconds, turn control knob to OFF position and wait five minutes and repeat lighting procedures. If ignition still does not occur, see match light instructions.
- Always ensure that smoker door(s) are open before igniting. Gas can accumulate in smoker.
- If flame goes out during cooking, turn control knob OFF, turn gas cylinder valve OFF, wait 5 minutes, then open door(s) and wait 5 additional minutes before repeating ignition instructions above.
- Control knob sets the smoker to a desired temperature. Push control knob in and turn clockwise to shut flame off.
- Visually check burner flame (Fig. 3). A **CORRECT FLAME** should be blue with a small amount of yellow at the tip. An **INCORRECT FLAME** is excessively yellow and irregular. If an incorrect flame occurs, turn control knob to OFF position, turn OFF gas cylinder valve, allow unit to cool and then clean burner. Let burner completely dry before re-lighting.
- After use turn control knob OFF, then turn gas cylinder valve OFF and disconnect tank.
- Type 1 Regulators will have a hook (Fig. 4). The Regulator Hook is used to keep the regulator off the ground when removed from the LP cylinder. Attach to unit as shown in image.

MATCH LIGHT INSTRUCTIONS

1. Read all instructions and warnings before lighting.
2. Check control knob and gas cylinder valve to be certain it is in OFF position before connecting to gas cylinder.
3. Perform soapy water test before each use.
4. Open door(s) during lighting and/or remove all accessories and cooking vessels from in/or on unit.
5. Turn gas cylinder valve ON, push control knob in, hold and and turn counter-clockwise to desired temperature setting, after ignition continue holding control knob in for 5 seconds to activate the flame sensor.
6. Place a long, lit fireplace match stick close enough to burner to ignite.
7. If ignition does not take place within five seconds, turn control knob to OFF position and wait five minutes and repeat match light instructions.
8. After each use, first turn control knob off, then gas cylinder valve off. Always allow unit to cool completely before touching, moving or storing.





WARNING

In the event of a gas leak that cannot be stopped, or if a fire occurs due to a gas leak, contact the fire department.

TROUBLESHOOTING GUIDE

Symptom	Cause	Possible Solution
Gas leaking from cracked, cut or burned hose	Damaged hose	Turn off gas at LP cylinder.
		Replace hose.
		Contact Masterbuilt at 1.800.489.1581.
Gas leaking from LP cylinder	Failure due to rust or mishandled equipment	Replace LP cylinder.
Gas leaking from gas cylinder valve	Failure of valve due to rust, mechanical failure or mishandled equipment	Turn off gas cylinder valve and return cylinder to gas provider/supplier.
Gas leaking between LP cylinder and regulator connection	Improper installation, connection not tight enough, damaged threads or bad rubber seal	Turn off gas cylinder valve, then re-attach regulator to cylinder.
		Turn off gas cylinder valve and return cylinder to gas provider/supplier.
		Visually inspect rubber seal for damage.
Fire under control panel	Fire in tube of burner due to burner blockage	Turn off both smoker control knob and gas cylinder valve. Once the fire is out and burner has cooled, remove and inspect burner for spiders, nests, rust or other debris.
Grease fire or excessive/continuous flame	Grease build up on or around burner area	Turn off both smoker control knob and gas cylinder valve. Allow flames to extinguish and time for unit to cool down. Clean grease/food particles from/around burner or burner area and surrounding surfaces.
Flame does not remain lit after igniting*	Flame sensor wire is loose	Turn off gas. Disconnect LP cylinder. Tighten flame sensor wire to valve.
Low flame output*	Out of fuel	Refill or replace with full LP cylinder.
Flames blow out*	Low on LP gas	Refill LP cylinder.
Flare-up	Excessive grease buildup	Clean burner and inside unit.
	Excessive fat on meat	Trim fat off of meat.
	Cooking temperature too high	Adjust or lower temperature accordingly.
Persistent grease fire	Grease trapped by food buildup around burner system	Turn smoker control knob and gas cylinder valve off. Allow fire to extinguish and the unit to cool down. Once cool, remove and clean parts.
Flashback (fire in burner tube)	Burner and/or burner tube has blockage	Turn smoker control knob and gas cylinder valve off. Clean burner and/or burner tube.
Slower than expected cooking times*	Valve not properly aligned to burner	Check to see if valve is centered in burner tube.

* Also see Troubleshooting solutions: "Causes" Low or No Flow/Vapor lock/Excess flow below.

TROUBLESHOOTING SOLUTIONS: "CAUSES" LOW OR NO FLOW/VAPOR LOCK/EXCESS FLOW

Symptom	Cause	Possible Solution
Burner doesn't light after pressing ignitor button	Low/no gas flow	<ol style="list-style-type: none"> Turn smoker control knob to "Off" position. Turn gas cylinder valve knob to OFF. Disconnect regulator from cylinder to relieve vapor lock. Reconnect regulator to cylinder by hand turning until tight. Slightly open the gas cylinder valve slowly and then open further by turning 1 full turn. You are now ready to light the smoker. Turn the smoker control knob to high and light with ignitor.
	Vapor lock at coupling nut to LP cylinder	
Low flame output	Excess flow valve tripped	
	Vapor lock at coupling nut/LP cylinder connection	
Flames blow out	Excess flow valve tripped	
Slower than expected cooking times	Vapor lock	

FAQ

• **Was the temperature setting of the unit adjusted from a higher setting to a lower setting? For example, was the unit at 275 and changed to 225?**

If yes, was the unit allowed to stabilize for 5 minutes at the new temperature setting before opening/closing the door(s)? If no, allow the unit to stabilize between set point changes for 5 minutes before opening and closing the door(s). During this transition period the flame is vulnerable to potential blow outs, under certain conditions, because the pressure inside the burner is reduced while the temperature sensor is adjusting to the lower set point.

• **Is the vent open?**

If no, open the vent to allow more heat to exit the unit. This will cause the unit to require more heat input to maintain its set point which will cause the unit to increase the flame height creating a stronger flame.

• **Is the water bowl filled?**

If no, fill the water bowl. This will cause the unit to require more heat input to maintain its set point which will cause the unit to increase the flame height creating a stronger flame.

• **Is outside wind greater than 5mph?**

If yes, and all the above solutions did not improve the performance, raise the set point of the unit in order to cook in those conditions.



DANGER LIÉ AU MONOXYDE DE CARBONE



La combustion de copeaux de bois dégage du monoxyde de carbone qui n'a pas d'odeur et peut causer la mort.

NE brûlez PAS de copeaux de bois à l'intérieur d'habitations, de véhicules, de tentes, de garages ou d'espaces fermés.

UTILISEZ UNIQUEMENT À L'EXTÉRIEUR avec de bonnes conditions de ventilation.



DANGER



SI VOUS DÉTECTEZ UNE ODEUR DE GAZ :

1. Coupez l'alimentation en gaz de l'appareil.
2. Éteignez toute flamme nue.
3. Ouvrez ou enlevez la porte.
4. Si l'odeur persiste, éloignez-vous de l'appareil et appelez immédiatement le service d'incendie.



AVERTISSEMENT



Ce manuel contient des informations qui sont nécessaires pour un assemblage et une utilisation sûrs et appropriés de cet appareil.

Lisez et suivez la totalité des avertissements et des instructions fournis avant d'assembler et d'utiliser l'appareil.

Suivez la totalité et des instructions lors de l'utilisation de l'appareil.

Conservez ce manuel pour référence ultérieure.



À défaut de suivre ces instructions, un incendie, une explosion ou des brûlures pourraient survenir, entraînant des dommages matériels ou des blessures, voire la mort.



DANGER



1. Ne laissez jamais l'appareil fonctionner sans surveillance.
2. Ne faites jamais fonctionner cet appareil à moins de 3,0m (10 pi) d'une structure ou d'un matériau combustible quelconque, ou encore d'une autre bouteille de gaz.
3. Ne faites jamais fonctionner cet appareil si des liquides inflammables se trouvent dans un rayon de 7,5 m (25 pi).
4. En cas d'incendie, éloignez-vous de l'appareil et appelez immédiatement le service d'incendie. Ne tentez pas d'éteindre un feu de graisse ou d'huile avec de l'eau.

PROXIMITÉ AVEC LES STRUCTURES ET RECOMMANDATIONS DE SÉCURITÉ LORS DE L'UTILISATION

Avant d'utiliser le fumoir, vérifiez la direction du vent et mettez la bouteille SOUS LE VENT. Cela est nécessaire pour que le système d'approvisionnement de la bouteille permette l'expulsion des vapeurs.

Structure surélevée

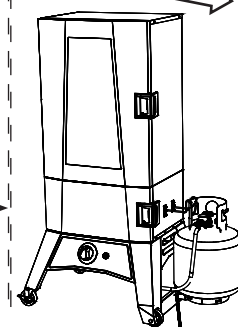
10 pieds



Rails

10 pieds

Murs



AVERTISSEMENT : ON RISQUE DE TRÉBUCHER SUR LE TUYAU, CE QUI POURRAIT FAIRE PENCHER LA BOUTEILLE D'ALIMENTATION





AVERTISSEMENTS ET INFORMATIONS RELATIVES À LA SÉCURITÉ GÉNÉRAUX



LISEZ TOUTES LES INSTRUCTIONS

- Utilisez toujours l'appareil conformément à tous les codes d'incendie locaux, fédéraux et provinciaux applicables.
- Avant toute utilisation, vérifiez la totalité des écrous, des vis et des boulons afin de vous assurer qu'ils sont bien serrés.
- Ne faites jamais fonctionner l'appareil sous une structure surélevée telle qu'une couverture, un abri d'auto, une marquise ou un porte-à-faux.
- L'unité est réservée à L'USAGE DOMESTIQUE EXTÉRIEUR.
- N'utilisez jamais l'appareil dans un lieu fermé, tel qu'un patio, un garage, un édifice ou une tente.
- Ne l'utilisez jamais sur ou dans un véhicule récréatif ou une embarcation.
- Gardez une distance minimale de 3 m (10 pi) entre l'appareil et une structure surélevée, un mur, une rampe ou une autre installation quelconque.
- Gardez une distance minimale de 3 m (10 pi) entre l'appareil et tout matériau combustible tel que le bois, les plantes sèches, le gazon, la broussaille, le papier ou la toile.
- Utilisez l'appareil uniquement pour la fonction pour laquelle il a été conçu. N'utilisez PAS cet appareil à des fins commerciales.
- L'utilisation d'accessoires non fournis par Masterbuilt Manufacturing, LLC n'est PAS recommandée et peut provoquer des blessures.
- La consommation d'alcool ou de médicaments, sous ordonnance ou en vente libre, peut affecter la capacité de l'utilisateur à assembler correctement l'appareil ou à le faire fonctionner de manière sûre.
- Conservez un extincteur accessible à tout moment pendant le fonctionnement de l'appareil.
- Lors de la cuisson à l'huile/la graisse, gardez un extincteur de type BC ou ABC à portée de main.
- Ne tentez pas d'éteindre un feu de graisse ou d'huile avec de l'eau. Appelez immédiatement le service d'incendie. Un extincteur de type BC ou ABC peut parfois confiner l'incendie.
- Placez l'appareil sur une surface stable, plate et non combustible telle que la terre battue, le béton, la brique ou la pierre. Une surface en asphalté (revêtement hydrocarboné) n'est pas nécessairement acceptable.
- L'appareil DOIT être posé au sol. Ne placez pas l'appareil sur une table ou un comptoir. NE déplacez PAS l'appareil sur des surfaces inégales.
- N'utilisez pas l'appareil sur des surfaces en bois ou inflammables.
- Gardez l'appareil à distance et libre de tout matériau combustible tel que de l'essence ou tout autre liquide ou gaz inflammable.
- Ne laissez pas l'appareil sans surveillance.
- Gardez les enfants et les animaux à distance de l'appareil en tout temps. NE laissez PAS les enfants utiliser l'appareil. Une surveillance attentive est nécessaire si des enfants ou des animaux sont présents à proximité de l'appareil en cours d'utilisation.
- NE permettez à PERSONNE de mener des activités autour de l'appareil pendant ou après son fonctionnement, tant qu'il n'a pas refroidi.
- Ne placez jamais de verre, de plastique ni de céramique dans l'appareil. Ne mettez pas d'articles de cuisine vides dans l'appareil pendant son utilisation.
- Ne déplacez jamais l'appareil pendant l'utilisation. Attendez que l'appareil ait refroidi complètement (température inférieure à 45 °C [115 °F]) avant de le déplacer ou de l'entreposer.
- Ne le rangez qu'une fois que le feu est complètement éteint et que toutes les surfaces ont refroidi.
- N'utilisez jamais le fumoir électrique comme système de chauffage (LISEZ LE DANGER LIÉ AU MONOXYDE DE CARBONE).
- L'appareil est CHAUD en cours d'utilisation et restera CHAUD pendant un certain délai ensuite et pendant le refroidissement. Faites ATTENTION. Portez des gants de protection.
- Soyez prudent lorsque vous retirez des aliments de l'appareil. Toutes les surfaces sont CHAUDES et peuvent provoquer des brûlures. Portez des gants de protection ou utilisez de solides ustensiles de cuisson à manche long pour vous protéger contre les surfaces chaudes et les éclaboussures.
- NE heurtez ou NE percutez PAS l'appareil pour éviter des lésions personnelles, des dommages à l'appareil ou le renversement ou les éclaboussures de liquide de cuisson chaud.
- Ne touchez pas de surfaces CHAUDES.
- Pendant l'utilisation, le fumoir est CHAUD. Pour éviter les brûlures, gardez le visage et le corps loin de la porte, du couvercle et des événements. L'utilisation génère de la vapeur et de l'air chaud.
- Les clapets à air sont CHAUDS pendant l'utilisation et le refroidissement de l'appareil; portez des gants de protection lorsque vous les ajustez.
- L'appareil génère une flamme ouverte. Gardez les mains, les cheveux et le visage à distance de la flamme du brûleur. NE vous penchez PAS au-dessus du brûleur pendant que vous l'allumez. Des cheveux non attachés ou des vêtements amples peuvent s'enflammer.
- N'obstruez ni la circulation des gaz de combustion ni les orifices de ventilation.
- Ne couvrez pas les grilles de cuisson avec des feuilles métalliques. Cela provoquerait une accumulation de chaleur et pourrait endommager l'appareil.
- L'installation de l'appareil doit respecter les codes locaux ou, en l'absence de codes locaux, le National Fuel Gas Code, ANSI Z223.1/ NFPA 54, Storage and Handling of Liquefied Petroleum Gases, ANSI/NFPA 58, Natural Gas and Propane Installation Code, CSA B149.1, Propane Storage and Handling, CSA B149.2, ou la Standard for Recreational Vehicles, ANSI A119.2/NFPA 1192 et le Recreational Vehicle Code, CSA Z240 RV Series, selon le cas.

SUITE DES AVERTISSEMENTS ET INFORMATIONS RELATIVES À LA SÉCURITÉ EN PAGE 11



AVERTISSEMENTS ET INFORMATIONS RELATIVES À LA SÉCURITÉ GÉNÉRAUX



AVERTISSEMENTS ET INFORMATIONS RELATIVES À LA SÉCURITÉ SUITE DE LA PAGE 10

- Avant chaque utilisation, inspectez le tuyau à gaz pour repérer la présence éventuelle de dommages.
- Gardez le tuyau d'alimentation en gaz à distance de toute surface chaude.
- Gardez le tuyau d'alimentation en gaz à distance de l'appareil lorsque celui-ci fonctionne.
- Il FAUT utiliser le régulateur et le raccord de tuyau fournis avec l'appareil. Pour obtenir des pièces de rechange, au besoin, prenez contact avec le service à la clientèle de Masterbuilt au 1 800 489-1581.
- Utilisez une bouteille de gaz de 9 kg (20 lb) munie d'un collet de protection (la bouteille n'est pas fournie avec l'appareil).
- Veillez à garder les orifices de ventilation dégagés et libres de tout débris.
- La bouteille de GPL utilisée doit être fabriquée et étiquetée conformément aux normes relatives aux bouteilles de GPL du département des Transports américain (DOT) ou à la norme nationale du Canada CAN/CSA-B339 « Bouteilles et tubes utilisés pour le transport des marchandises dangereuses ».
- N'utilisez jamais une bouteille de gaz qui présente des signes de bosselures, d'entailles, de renflements, de dommages par le feu, d'érosion, de fuites, de rouille excessive, ou de toute autre forme de dommages externes visibles. Cela peut être dangereux; il faut dans un tel cas apporter la bouteille à un fournisseur de propane liquide pour la faire inspecter.
- Ne fixez ou ne déconnectez jamais la bouteille de gaz, et ne déplacez ou ne modifiez jamais les raccords pour le gaz lorsque l'appareil fonctionne.
- La bouteille de gaz doit être déconnectée de l'appareil lorsqu'elle n'est pas utilisée.
- L'appareil a été conçu pour fonctionner uniquement avec du gaz propane. N'utilisez que des bouteilles de gaz portant la mention « propane » avec cet appareil.
- Ce produit NE fonctionne PAS au gaz naturel.
- Lorsque vous avez fini d'utiliser l'appareil, fermez le bouton de réglage du fumoir en premier, et ensuite le robinet de la bouteille de gaz, avant de débrancher la bouteille.
- Fermez TOUJOURS l'alimentation en gaz au niveau de la bouteille quand l'appareil n'est pas utilisé.
- La bouteille DOIT être entreposée à l'extérieur, hors de la portée des enfants; elle NE DOIT PAS être entreposée dans un bâtiment, un garage ou tout autre endroit fermé.
- NE conservez PAS une bouteille de gaz de rechange sous l'appareil ni à proximité de celui-ci. La soupape de sûreté et de décharge de la bouteille peut surchauffer, ce qui permet au gaz de fuir, causant un incendie qui pourrait entraîner des blessures graves, voire la mort.
- Ne remplissez jamais la bouteille à plus de 80 % de sa capacité, ce qui permet au gaz de fuir, causant un incendie qui pourrait entraîner des blessures graves, voire la mort.
- Placez un capuchon cache-poussière sur le robinet de la bouteille lorsque celle-ci n'est pas utilisée. N'utilisez que le capuchon cache-poussière fourni avec la bouteille. D'autres capuchons ou bouchons pourraient causer des fuites.
- Si vous voyez, sentez ou entendez une fuite de gaz, éloignez-vous immédiatement de la bouteille de gaz et de l'appareil et appelez le service d'incendie. Un incendie pourrait entraîner des blessures graves, voire la mort.
- Reportez-vous aux étapes d'allumage avant l'utilisation.
- N'utilisez jamais de liquide d'allumage avec le propane.
- Des copeaux de bois ou des blocs de bois devraient être utilisés pour produire de la fumée et créer la saveur de la fumée.
- La cuvette du disque à flamme et le bac à copeaux de bois sont CHAUDS lorsque l'appareil est utilisé. Faites preuve de prudence lors de l'ajout de bois.
- Vérifiez souvent le bac à graisse pendant la cuisson. Videz-le avant qu'il devienne plein. Le bac à graisse peut devoir être vidé périodiquement durant la cuisson.
- N'ouvrez pas la porte supérieure du fumoir, sauf si cela est nécessaire. L'ouverture de la porte du fumoir permet à la chaleur de s'échapper, ce qui peut prolonger le temps de cuisson et causer une flambée du bois. Fermez la porte pour restabiliser la température et arrêter la flambée.
- Cet appareil est un fumoir. Une grande quantité de fumée sera produite lors de l'utilisation des copeaux de bois. De la fumée s'échappera par les joints et noircira l'intérieur du fumoir. C'est normal. Pour réduire au minimum la perte de fumée autour de la porte, le loquet de porte peut être ajusté afin de serrer davantage la porte contre le bâti du fumoir.
- Pour régler la poignée de porte ou le loquet, desserrez les deux vis qui assemblent le crochet de la porte au bâti du fumoir. Faites glisser le crochet de porte vers l'avant ou l'arrière, selon les besoins, pour obtenir l'étanchéité de la porte souhaitée. Ensuite, serrez à nouveau les deux vis du crochet de porte. Assurez-vous de ne pas serrer la poignée de porte ou le loquet au point d'endommager l'appareil et de le rendre difficile à faire fonctionner. Il faut régler la porte de sorte qu'elle ferme complètement.
- Lorsque la température extérieure est inférieure à 18 °C (65 °F) ou que l'altitude est supérieure à 1 067 mètres (3 500 pi), un temps de cuisson supplémentaire peut être requis. Afin de s'assurer que la viande est complètement cuite, utilisez un thermomètre à viande pour mesurer la température interne.
- N'utilisez pas de granules de bois.
- Les aliments doivent être placés au centre des grilles de fumage. Cela permet au jus de cuisson de tomber dans la cuvette d'eau.
- Ne laissez pas les vieilles cendres de bois dans la cuvette du disque à flammes ou le bac ou la cuvette à copeaux de bois. Une fois que les cendres sont froides, videz la cuvette ou le bac. La cuvette ou le bac doit être nettoyé avant et après chaque utilisation pour éviter l'accumulation de cendres et de résidus.
- Mettez au rebut les cendres froides en les enveloppant dans une feuille d'aluminium, puis en trempant le tout dans de l'eau avant de le jeter dans un récipient non combustible.
- Ne rangez pas l'appareil avec des cendres CHAUDES présentes à l'intérieur.

CONSERVEZ CES INSTRUCTIONS.

UTILISATION DU FUMOIR – LISEZ ET RESPECTEZ ATTENTIVEMENT TOUTES LES INSTRUCTIONS

POUR DÉMARRER

- Apprêtez le fumoir avant la première utilisation. Consultez les **INSTRUCTIONS D'APPRÊTAGE**.
- Avant de démarrer l'unité, voir **AJOUTER DES COPEAUX DE BOIS OU AJOUTER DES BLOCS DE BOIS**.
- Ce fumoir est équipé de butoirs de porte qui maintiennent la porte ouverte pendant le chargement et le déchargement des aliments.
- Ce fumoir est calibré de sorte à se trouver à +/- 25 °F de chaque point de consigne. Un léger ajustement pourrait être nécessaire pour atteindre la température souhaitée, en fonction de la quantité d'aliments qui se trouve dans le fumoir et des conditions extérieures.

ATTENTION – Toutes les surfaces sont **CHAUDES** et peuvent provoquer des brûlures. Utilisez les gants de protection ou de solides ustensiles de cuisson à manche long pour charger et décharger les aliments ou les grilles et pour ajouter des copeaux de bois ou de l'eau.

INSTRUCTIONS D'APPRÊTAGE

L'apprêtage de votre fumoir permettra d'éliminer les produits chimiques et les huiles laissés par le processus de fabrication en les laissant brûler.

APPRÊTEZ LE FUMOIR AVANT LA PREMIÈRE UTILISATION.

1. Effectuez un test d'étanchéité à l'eau savonneuse; consultez la rubrique **TEST D'ÉTANCHÉITÉ À L'EAU SAVONNEUSE – AVERTISSEMENTS ET MARCHE À SUIVRE**.
2. À l'aide d'une serviette ou d'un chiffon, appliquez une mince couche d'huile de cuisson sur les grilles de fumage et à l'intérieur de la porte du fumoir. Assurez-vous que la cuvette d'eau est en place **ET SANS EAU**.
3. Allumez le fumoir, réglez-le à 177 °C (350 °F) et laissez-le brûler pendant environ une heure.
4. Laissez l'appareil refroidir **COMPLÈTEMENT**.
5. Appliquez à nouveau une mince couche d'huile de cuisson sur les grilles de fumage et à l'intérieur de la porte du fumoir.
6. Rallumez le fumoir et laissez-le brûler pendant 20 minutes.
 - **Apprêtez votre fumoir de temps à autre pour éviter la formation excessive de rouille.**

MODE D'EMPLOI

1. Pour démarrer le fumoir, consultez les **INSTRUCTIONS D'ALLUMAGE**.
2. Avec des gants de protection, mettez le bol d'eau en place. Versez environ 1 pouce d'eau, de jus ou de vinaigre dans la cuvette d'eau. Cela ajoutera de la saveur et de l'humidité aux aliments et les empêchera de sécher.
3. **NE couvrez PAS** les grilles de papier d'aluminium, car cela empêchera la bonne circulation de la chaleur.
4. **AJOUTER LES COPEAUX DE BOIS:** Préchauffer le fumoir à la température désirée pendant environ 20 minutes. Une fois que l'appareil a atteint la température désirée, placez jusqu'à 1 tasse (0.24l) de copeaux de bois dans le plateau à copeaux de bois.
AJOUTER DES BLOCS DE BOIS: Avant de chauffer le fumoir, placez jusqu'à 1 tasse (0.24l) de blocs de bois dans le plateau à copeaux de bois, puis préchauffez le fumoir à la température désirée pendant environ 20 minutes. Le plateau à copeaux de bois peut ne pas se fermer complètement lors de l'utilisation de blocs de bois.
 - Vous pouvez utiliser des copeaux de bois secs ou pré-trempés ou des morceaux dans votre fumeur. Les copeaux ou morceaux secs vont brûler plus vite et produire une fumée plus intense. Les copeaux ou morceaux pré-trempés dans l'eau (pendant environ 30 minutes) brûleront plus lentement et produiront une fumée moins intense.
 - **N'UTILISEZ JAMAIS PLUS DE 250 ML (1 TASSE) DE COPEAUX DE BOIS OU DE CHUNKS À LA FOIS. N'utilisez jamais de granulés de bois.**
 - Placez des copeaux de bois supplémentaires ou des morceaux dans le fumoir au besoin pour obtenir l'arôme de fumée désiré.
 - **Des copeaux ou des morceaux de bois doivent être utilisés pour produire de la fumée et créer l'arôme de fumée.**
5. Placez les aliments dans le fumoir, au centre de la grille de fumage.
6. **NE surchargez PAS** le fumoir avec de la nourriture. De trop grandes quantités de nourriture pourraient emprisonner la chaleur, prolonger le temps de cuisson et produire une cuisson inégale. Laissez de l'espace entre les aliments sur les étagères et les côtés du pour assurer une bonne circulation de la chaleur. Si vous utilisez des plats à cuisson, assurez-vous que ces plats ne couvrent pas plus que 75 % de la surface de l'étagère et mettez les plats au centre de l'étagère pour garantir une cuisson uniforme.
7. Lorsque vous fumez un ou deux articles, utilisez les deux grilles supérieures pour obtenir les meilleurs résultats.
8. Ajustez les réglages du fumoir, le bouton de réglage et le clapet à air à la température de cuisson souhaitée.
 - Fermez le clapet à air pour conserver l'humidité et la chaleur. Si vous faites cuire des aliments tels que du poisson ou de la charqui, ouvrez le clapet à air pour libérer l'humidité.
9. Si les copeaux de bois ou les morceaux de bois ne fument pas à basse température, ouvrez légèrement la porte inférieure pendant environ 2 minutes. Cela fera chuter la température de l'armoire, ce qui fera ajuster le brûleur à une flamme plus intense et lancera le processus de fumage.
10. Faites preuve de prudence lorsque vous cuisinez par temps venteux et assurez-vous que la flamme ne s'éteint pas. Si vous soupçonnez ou découvrez que la flamme s'est éteinte, ouvrez premièrement la porte pour vérifier la flamme, puis suivez les **INSTRUCTIONS D'ALLUMAGE** pour rallumer le brûleur, au besoin. Ajustez le bouton de réglage du fumoir sur une flamme plus haute pour éviter qu'elle ne s'éteigne à nouveau.
N'allumez jamais le fumoir lorsque la porte est fermée.
11. Les températures extrêmement froides peuvent prolonger les durées de cuisson.
12. Une fois la cuisson terminée, **ÉTEIGNEZ** l'appareil; consultez les **INSTRUCTIONS D'ALLUMAGE** pour savoir comment éteindre l'appareil. Enlevez la bouteille de gaz, puis suivez les **INSTRUCTIONS de NETTOYAGE ET DE RANGEMENT**. **NETTOYEZ LE FUMOIR APRÈS CHAQUE UTILISATION.** Cela en prolongera la durée de vie et évitera la formation de moisissures et de champignons.

INSTRUCTIONS DE NETTOYAGE ET DE RANGEMENT

- **VEILLEZ À TOUJOURS VOUS ASSURER QUE L'APPAREIL EST FROID AU TOUCHER AVANT DE LE NETTOYER ET DE LE REMISER.**
- Assurez-vous de nettoyer le fumoir après chaque utilisation. Veillez à ce que la bouteille de gaz ait été éteinte et retirée.
- Utilisez un liquide à vaisselle doux pour nettoyer les supports des grilles, les grilles, la cuvette d'eau et le plateau ramasse-gouttes. Rincez et séchez complètement.
- Nettoyez fréquemment le bac à copeaux de bois afin de retirer toute accumulation de cendres, de résidus et de poussière.
- Mettez au rebut les cendres froides en les enveloppant dans une feuille d'aluminium, puis en trempant le tout dans de l'eau avant de le jeter dans un récipient non combustible.
- Essuyez simplement l'intérieur, l'extérieur et le joint de la porte de l'appareil à l'aide d'un chiffon humide après chaque utilisation pour que l'appareil reste en bon état de marche. N'utilisez pas de produit de nettoyage. Assurez-vous de bien sécher ces surfaces.
- Après le nettoyage, rangez le fumoir dans un endroit **SEC ET COUVERT**.
- Ne le rangez qu'une fois que le feu est complètement éteint et que toutes les surfaces ont refroidi.
- Lorsque vous ne l'utilisez pas fréquemment et que vous le recouvrez d'une bâche, souvenez-vous de vérifier périodiquement votre fumoir pour éviter la rouille et la corrosion possibles dues à l'accumulation d'humidité.

RENDEZ-VOUS SUR LE SITE WEB DE MASTERBUILT POUR OBTENIR D'AUTRES CONSEILS ET DES VIDÉOS DE RECETTE.

! AVERTISSEMENT !

EFFECTUEZ LE « TEST D'ÉTANCHÉITÉ À L'EAU SAVONNEUSE » AVANT CHAQUE UTILISATION. CONSULTEZ LA SECTION « TEST D'ÉTANCHÉITÉ À L'EAU SAVONNEUSE » DANS LE PRÉSENT MANUEL. ÉTEIGNEZ TOUTE FLAMME NUE AVANT DE CONNECTER LE RÉGULATEUR À LA BOUTEILLE DE GAZ. FERMEZ L'ALIMENTATION EN GAZ APRÈS CHAQUE USAGE.

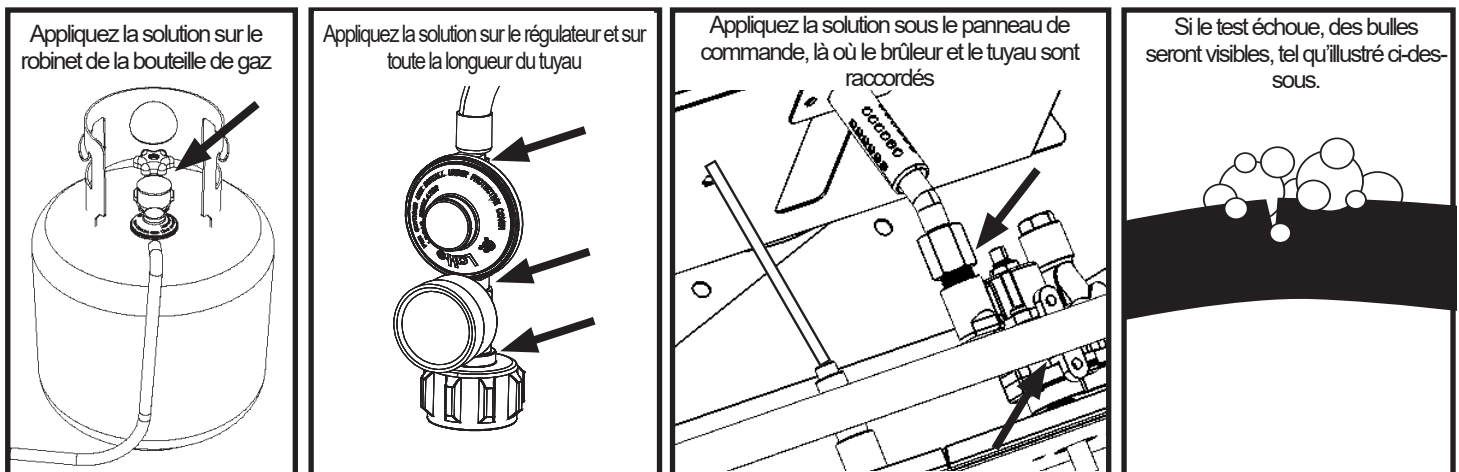
TEST D'ÉTANCHÉITÉ À L'EAU SAVONNEUSE – AVERTISSEMENTS ET MARCHE À SUIVRE

AVERTISSEMENTS

- Un test d'étanchéité à l'eau savonneuse DOIT être effectué chaque fois que la bouteille de gaz est raccordée au brûleur ou au tuyau, ou à chaque utilisation.
- Le test d'étanchéité à l'eau savonneuse DOIT être effectué à l'extérieur, à un endroit bien ventilé.
- Pendant le test d'étanchéité, gardez l'appareil loin de toute flamme nue, étincelle ou cigarette allumée.
- N'utilisez en aucun cas une flamme nue pour détecter une fuite de gaz.

PRÉPARATION :

- Enlevez les articles de cuisine et les accessoires de l'appareil.
- Assurez-vous que le robinet de la bouteille de gaz et le bouton de réglage sont FERMÉS.
Préparez la solution d'eau savonneuse : une mesure de détergent à vaisselle (ou plus si vous le désirez) pour trois mesures d'eau.
- Appliquez la solution d'eau savonneuse sur le robinet de la bouteille de gaz, le régulateur, ainsi que sur toute la longueur du tuyau entre la bouteille et le robinet de contrôle du brûleur.



TEST DU ROBINET DE LA BOUTEILLE DE GAZ :

- Ouvrez le robinet du réservoir, puis vérifiez si des bulles apparaissent. **NE LAISSEZ PAS LE ROBINET DE GAZ OUVERT PENDANT PLUS DE 12 SECONDES.** Si des bulles apparaissent, fermez le robinet de la bouteille de gaz et serrez les raccords. Recommencez le test.

TEST DU RÉGULATEUR ET DU TUYAU :

- **UNE FOIS** que le robinet de la bouteille gaz a réussi le test d'étanchéité à l'eau savonneuse, ouvrez le robinet de la bouteille de gaz, puis vérifiez la formation éventuelle de bulles au niveau du régulateur, tout le long du tuyau et au robinet de contrôle du brûleur. **NE LAISSEZ PAS LE ROBINET DE GAZ OUVERT PENDANT PLUS DE 12 SECONDES.** Si des bulles apparaissent, **FERMEZ** le robinet de la bouteille de gaz et serrez le raccord qui fuit. Si la fuite est présente le long du tuyau, **ARRÊTEZ TOUT** : n'utilisez pas l'appareil. Le tuyau doit être remplacé.
- **LORSQUE LE TEST EST TERMINÉ ET VOUS N'AVEZ REPÉRÉ AUCUNE FUITE, ATTENDEZ AU MOINS 5 MINUTES POUR PERMETTRE LA DISSIPATION D'ÉMANATIONS DE GAZ AVANT DE RALLUMER LE FUMOIR.**

SI DES BULLES CONTINUENT À APPARAÎTRE PENDANT UNE PARTIE DU TEST D'ÉTANCHÉITÉ À L'EAU SAVONNEUSE, ARRÊTEZ TOUT ET N'UTILISEZ PAS L'APPAREIL. PRENEZ CONTACT AVEC LE FOURNISSEUR DE PROPANE LOCAL OU AVEC LE SERVICE À LA CLIENTÈLE DE MASTERBUILT AU 1-800-489-1581.

Remarque : utilisez uniquement une bouteille de gaz de 20 lb (9 kg) munie d'un collet de protection avec cet appareil. La bouteille N'EST PAS fournie avec l'appareil.

INSTRUCTIONS D'ALLUMAGE

RACCORDEMENT ET FONCTIONNEMENT DU RÉGULATEUR, DU BRÛLEUR ET DU ROBINET DE GAZ

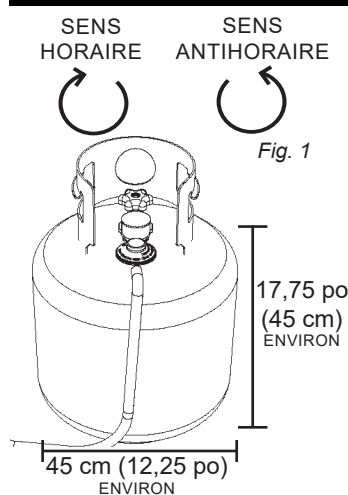


Fig. 1

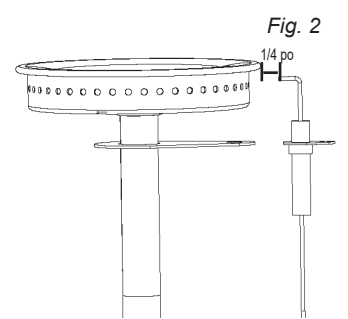


Fig. 2

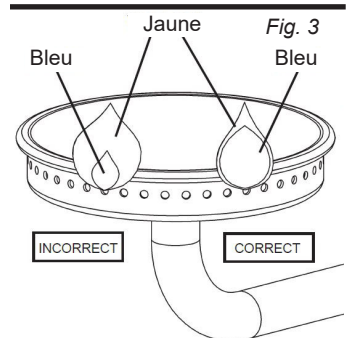


Fig. 3

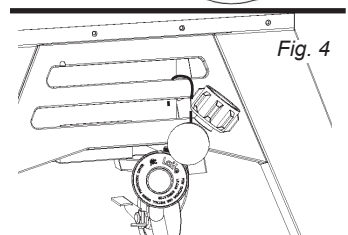
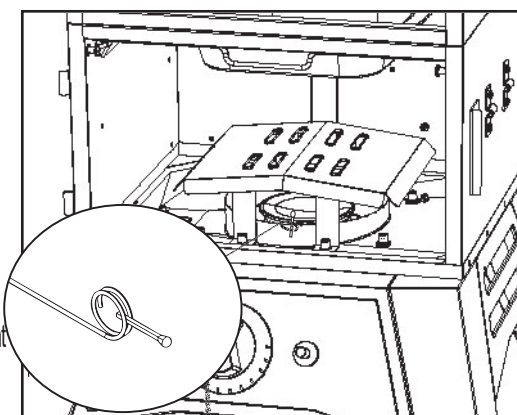


Fig. 4

- Inspectez le tuyau avant chaque usage. En cas de signes d'abrasion, d'usure, de coupures ou de fuites, le tuyau doit être remplacé. **NE L'UTILISEZ PAS.**
- Inspectez le brûleur avant chaque usage. Vérifiez s'il n'y a pas d'insectes ou de nids d'insectes dans le brûleur ou le tube venturi. Un tube obstrué peut causer un incendie sous l'appareil.
- Vérifiez si l'orifice est au centre du tube venturi. Si l'orifice du robinet n'est pas correctement assemblé avec le tube venturi, une fuite de gaz ou un incendie peuvent se produire au raccord. Consultez les étapes d'assemblage pour voir la méthode d'assemblage correcte.
- Vérifiez si la tige d'allumage est correctement espacée et alignée sur le brûleur. La tige d'allumage devrait se trouver à environ 1/4 po du brûleur et être alignée sur le haut du port d'un brûleur (fig. 2). Confirmez si l'espacement est correct en appuyant sur le bouton d'allumage et en vous assurant qu'une étincelle se produit entre la tige d'allumage et le brûleur.
- Connectez le régulateur du tuyau à la bouteille de gaz
 1. Assurez-vous que le robinet de la bouteille de gaz est fermé. Tournez le robinet dans le sens horaire jusqu'à ce qu'il s'arrête.
 2. Assurez-vous que le bouton de réglage du fumoir est sur la position « OFF » (ARRÊT).
 3. S'il y a lieu, enlevez le capuchon de protection et l'écrou de raccord du robinet de la bouteille de gaz.
 4. Insérez le mamelon du régulateur bien au centre dans le robinet de la bouteille de gaz (fig. 1). Tournez l'écrou de raccord du régulateur dans le sens horaire jusqu'à ce qu'il s'arrête. **NE SERREZ PAS TROP.**
- Effectuez le test d'étanchéité à l'eau savonneuse.
- Avant de lancer la procédure d'allumage, assurez-vous que la ou les portes du fumoir sont ouvertes.
- Avant l'allumage des brûleurs, retirez toutes les pièces qui se trouvent sur l'appareil ou à l'intérieur pour empêcher qu'une explosion se produise en raison de l'accumulation de gaz.
- Pour utiliser l'appareil, ouvrez le robinet de la bouteille de gaz, enfoncez le bouton de réglage, maintenez-le enfoncé et tournez-le en sens antihoraire jusqu'à la température souhaitée. Appuyez sur le bouton d'allumage; une fois le brûleur allumé, continuez à maintenir le bouton de réglage enfoncé pendant cinq secondes pour activer le capteur de flamme.
- Si l'allumage ne s'effectue pas en cinq secondes, fermez le bouton de réglage et attendez cinq minutes avant de répéter la procédure d'allumage. Si l'allumage ne se produit toujours pas, consultez les instructions pour allumage avec une allumette.
- Assurez-vous toujours que la ou les portes du fumoir sont ouvertes avant d'allumer le fumoir. Du gaz peut s'accumuler dans le fumoir.
- Si la flamme s'éteint pendant la cuisson, fermez le bouton de réglage, fermez le robinet de la bouteille de gaz, attendez cinq minutes, puis ouvrez la ou les portes et attendez encore cinq minutes avant de reprendre les instructions d'allumage ci-dessus.
- Le bouton de réglage règle la température du fumoir. Enfoncez le bouton de réglage et tournez-le dans le sens horaire pour éteindre la flamme.
- Vérifiez visuellement la flamme du brûleur (fig. 3). Une **FLAMME CORRECTE** devrait être bleue, avec un peu de jaune à l'extrémité. Une **FLAMME INCORRECTE** est excessivement jaune et irrégulière. Si une flamme incorrecte est observée, fermez le bouton de réglage, fermez le robinet de la bouteille de gaz, laissez l'appareil refroidir, puis nettoyez le brûleur. Laissez le brûleur sécher complètement avant de le rallumer.
- Après utilisation, fermez le bouton de réglage, fermez le robinet de la bouteille de gaz et débranchez la bouteille.
- Les régulateurs de type 1 sont dotés d'un crochet (fig. 4). Le crochet du régulateur est utilisé pour que le régulateur ne traîne pas sur le sol lorsqu'il est retiré de la bouteille de GPL. Fixez-le à l'appareil comme illustré sur l'image.

INSTRUCTIONS POUR ALLUMAGE AVEC UNE ALLUMETTE

1. Lisez la totalité des instructions et des instructions avant de procéder à l'allumage.
2. Vérifiez le bouton de réglage et le robinet de la bouteille de gaz pour vous assurer que tout est éteint avant d'effectuer le branchement sur la bouteille de gaz.
3. Effectuez le test d'étanchéité à l'eau savonneuse avant chaque utilisation.
4. Ouvrez la ou les portes pendant l'allumage, ou retirez tous les accessoires et les récipients de cuisson qui se trouvent sur l'appareil ou à l'intérieur.
5. Ouvrez le robinet de la bouteille de gaz, enfoncez le bouton de réglage, maintenez-le enfoncé et tournez-le dans le sens antihoraire jusqu'à la température souhaitée; après l'allumage, continuez à maintenir le bouton de réglage enfoncé pendant cinq secondes pour activer le capteur de flamme.
6. Placez une longue allumette allumée assez près du brûleur pour que celui-ci s'allume.
7. Si l'allumage ne s'effectue pas en moins de cinq secondes, fermez le bouton de réglage et attendez cinq minutes avant de reprendre les instructions d'allumage.
8. Après chaque utilisation, fermez premièrement le bouton de réglage, puis le robinet de la bouteille de gaz. Laissez toujours l'appareil refroidir complètement avant de le toucher, de le déplacer ou de l'entreposer.





AVERTISSEMENT

Dans l'éventualité d'une fuite de gaz qui ne peut pas être arrêtée ou d'un incendie qui se déclenche en raison d'une fuite de gaz, prenez contact avec le service d'incendie.

GUIDE DE DÉPANNAGE

Symptôme	Cause	Solution possible
Fuite de gaz provenant d'un tuyau fendu, coupé ou brûlé.	Tuyau endommagé.	Fermez le robinet de la bouteille de gaz.
		Remplacez le tuyau.
		Prenez contact avec Masterbuilt au 1-800-489-1581.
Fuite de gaz provenant de la bouteille de gaz.	Défaillance attribuable à la rouille ou à une mauvaise maintenance de l'équipement.	Remplacez la bouteille de gaz.
Fuite de gaz provenant du robinet de la bouteille de gaz.	Défaillance du robinet attribuable à la rouille, à un problème mécanique ou à une mauvaise maintenance de l'équipement.	Fermez le robinet de la bouteille de gaz et retournez la bouteille au fournisseur de gaz.
Fuite de gaz entre la bouteille de gaz et le raccord du régulateur.	L'installation est incorrecte, le raccordement n'est pas assez serré, le filetage est endommagé ou le joint d'étanchéité en caoutchouc est défectueux.	Fermez le robinet de la bouteille de gaz, puis fixez de nouveau le régulateur à la bouteille.
		Fermez le robinet de la bouteille de gaz et retournez la bouteille au fournisseur de gaz.
		Inspectez visuellement le joint en caoutchouc pour voir s'il y a des signes de dommages.
Feu sous le panneau de commande.	Feu dans le tube du brûleur en raison d'une obstruction du brûleur.	Fermez le bouton de réglage et le robinet de la bouteille de gaz. Une fois que le feu est éteint et que l'appareil a refroidi, enlevez le brûleur et inspectez-le pour détecter la présence d'araignées, de nids, de rouille ou d'autres débris.
Feu de graisse ou flamme continue ou excessive.	Accumulation de graisse sur le brûleur ou autour du brûleur.	Fermez le bouton de réglage et le robinet de la bouteille de gaz. Laissez les flammes s'éteindre et l'appareil refroidir. Nettoyez les particules de graisse ou d'aliments sur le brûleur et autour de celui-ci et des surfaces environnantes.
La flamme ne reste pas allumée après l'allumage*	Le fil du capteur de flamme est desserré	Arrêter le gaz. Débrancher la bouteille de LP. Serrer le fil du capteur de flamme à la vanne.
Faible niveau de flamme*	Manque de carburant.	Remplissez la bouteille de gaz ou remplacez-la par une bouteille pleine.
Les flammes s'éteignent*	Manque de gaz.	Remplissez la bouteille de gaz.
Poussée de flamme.	Accumulation excessive de graisse.	Nettoyez le brûleur et l'intérieur de l'appareil.
	Quantité excessive de gras sur la viande.	Enlevez le gras de la viande.
	Température de cuisson trop élevée.	Régalez ou baissez la température en conséquence.
Feu de graisse persistant.	Graisse emprisonnée par l'accumulation d'aliments autour du système de brûleur.	Fermez le bouton de réglage et le robinet de la bouteille de gaz. Laissez le feu s'éteindre et l'appareil refroidir. Une fois que l'appareil a refroidi, enlevez et nettoyez les pièces.
Retour de flamme (feu dans le tube du brûleur).	Le brûleur ou le tube du brûleur est obstrué.	Fermez le bouton de réglage et le robinet de la bouteille de gaz. Nettoyez le brûleur ou le tube du brûleur.
Cuisson plus lente que prévu*	Le robinet n'est pas bien aligné sur le brûleur.	Assurez-vous que le robinet est centré sur le tube du brûleur.

* Consultez également les solutions de dépannage : pour les causes suivantes : débit de gaz faible ou inexistant, bouchon de vapeur, débit excessif.

SOLUTIONS DE DÉPANNAGE : POUR LES CAUSES SUIVANTES : DÉBIT DE GAZ FAIBLE OU INEXISTANT, BOUCHON DE VAPEUR, DÉBIT EXCESSIF

Symptôme	Cause	Solution possible
Le brûleur ne s'allume pas lorsque le bouton d'allumage est enfoncé.	Débit de gaz faible ou inexistant.	<ol style="list-style-type: none"> 1. Tournez le bouton de réglage du fumeur sur la position OFF (ARRÊT). 2. Tournez le bouton du robinet de la bouteille de gaz sur la position OFF (ARRÊT). 3. Déconnectez le régulateur de la bouteille pour dégager le bouchon de vapeur. 4. Reconnectez le régulateur à la bouteille en le tournant à la main jusqu'à ce qu'il soit serré. 5. Ouvrez avec précaution le robinet de la bouteille de gaz, puis ouvrez-le davantage d'un tour complet. 6. Vous êtes maintenant prêt à allumer le fumeur. 7. Tournez le bouton de réglage du fumeur sur la position élevée et allumez-le avec l'allumeur.
	Bouchon de vapeur au niveau de l'écrou de raccord vers la bouteille de gaz.	
Faible niveau de flamme.	Limiteur de débit déclenché.	
	Bouchon de vapeur au niveau de l'écrou de raccord vers la bouteille de gaz.	
Les flammes s'éteignent.	Limiteur de débit déclenché.	
Cuisson plus lente que prévu.	Bouchon de vapeur.	

FAQ

• Le réglage de la température de l'appareil a-t-il été réglé d'un réglage supérieur à un réglage inférieur? Par exemple, l'unité était-elle à 275 et passée à 225?

Si oui, l'appareil a-t-il pu se stabiliser pendant 5 minutes à la nouvelle température avant d'ouvrir / fermer la (les) porte(s). Si non, laisser l'appareil se stabiliser entre les changements de consigne pendant 5 minutes avant d'ouvrir et de fermer la (les) porte(s). Pendant cette période de transition, la flamme est vulnérable à des sorties de potentiel, dans certaines conditions, car la pression à l'intérieur du brûleur est réduite tandis que le capteur de température se règle sur le point de consigne inférieur.

• Le conduit est-il ouvert?

Si non, ouvrez l'évent pour permettre à plus de chaleur de sortir de l'appareil. Cela amènera l'unité à exiger plus d'entrée de chaleur pour maintenir son point de consigne qui entraînera l'unité pour augmenter la hauteur de flamme créant une flamme plus forte.

• Le bol d'eau est-il rempli?

Si non, remplir le bol d'eau. Cela amènera l'unité à exiger plus d'entrée de chaleur pour maintenir son point de consigne qui entraînera l'unité pour augmenter la hauteur de flamme créant une flamme plus forte.

• Y a-t-il un vent extérieur supérieur à 5 mph?

Dans l'affirmative, et si toutes les solutions ci-dessus n'ont pas amélioré la performance, augmenter le point de consigne de l'unité pour cuire dans ces conditions.

PELIGRO DEL MONÓXIDO DE CARBONO

Quemar trozos de madera desprende monóxido de carbono, que no tiene olor y puede causar la muerte.

NO queme los trozos de madera dentro de hogares, vehículos, tiendas, garajes u otras áreas cerradas.

USE SOLAMENTE AL AIRE LIBRE donde está bien ventilado.

PELIGRO

SI HUELE GAS:

1. Apague el gas que se dirige al artefacto.
2. Apague cualquier llama abierta.
3. Abra/retire la puerta.
4. Si el olor continúa, aléjese del artefacto y llame inmediatamente a su Departamento de bomberos.

ADVERTENCIA

Este manual contiene información importante necesaria para el correcto ensamblaje y uso seguro del artefacto.

Lea y siga todas las advertencias e instrucciones antes de ensamblar y usar el aparato.

Siga todas las advertencias e instrucciones cuando use la unidad.

Conserve este manual para referencia en el futuro.



Si no sigue estas instrucciones, podría producirse un peligro de incendio, explosión o quemadura, lo cual podría causar daños a la propiedad, lesiones personales o la muerte.



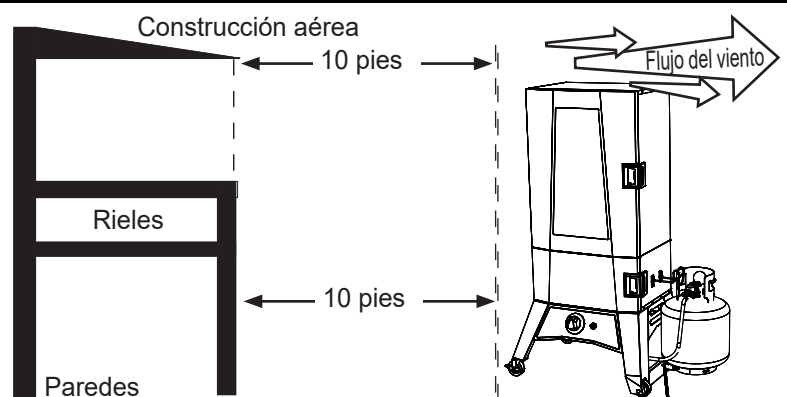
PELIGRO

1. Nunca opere este artefacto desatendido.
2. Nunca opere este artefacto dentro de 10 pies (3 m) de cualquier estructura, material combustible u otro cilindro de gas.
3. Nunca opere este artefacto dentro de 25 pies (7.5 m) de cualquier líquido inflamable.
4. Si ocurriera un incendio, manténgase alejado del artefacto y llame inmediatamente a su estación de bomberos. No intente apagar un incendio de aceite o grasa con agua.

RECOMENDACIONES DE PROXIMIDAD ESTRUCTURAL Y USO SEGURO

Antes de usar el ahumador, revise la dirección del viento y coloque el cilindro HACIA EL VIENTO. Esto es necesario para que el sistema de suministro del cilindro quede configurado para la remoción del vapor.

ADVERTENCIA: LA MANGUERA ES UN PELIGRO DE TROPEO QUE PODRÍA CAUSAR EL VUELCO DE UN CILINDRO DE SUMINISTRO





INFORMACIÓN DE SEGURIDAD Y ADVERTENCIAS GENERALES



LEA TODAS LAS INSTRUCCIONES

- Siempre use la unidad en conformidad con todos los códigos contra incendios locales, estatales y federales aplicables.
- Antes de cada uso, verifique todas las tuercas, tornillos y pernos para asegurarse que estén firmes y asegurados.
- Nunca opere esta unidad bajo cualquier construcción aérea, como cubiertas de techos, porches de autos, toldos o voladizos.
- La unidad es para USO FAMILIAR AL AIRE LIBRE SOLAMENTE.
- Nunca use dentro de áreas cerradas como patios, garajes, edificios o tiendas.
- Nunca use dentro o sobre botes o vehículos recreativos.
- Mantenga una distancia mínima de 10 pies (3m) de construcciones aéreas, paredes, rieles u otras estructuras.
- Mantenga un mínimo de 10 pies (3m) de espacio libre de todos los materiales combustibles como madera, plantas secas, césped, escobillas, papel o lienzos.
- Nunca use esta unidad para ninguna otra cosa que no sea su propósito intencionado. Esta unidad NO es para uso comercial.
- NO se recomienda usar accesorios adicionales no suministrados por Masterbuilt Manufacturing, LLC; estos podrían causar lesiones.
- El uso de alcohol y de medicamentos con o sin receta pueden obstaculizar la habilidad del usuario de ensamblar u operar correctamente la unidad.
- Conserve un extintor de incendios accesible en todo momento mientras opere la unidad.
- Cuando cocine con aceite o grasa, tenga un extintor tipo BC o ABC a disponibilidad.
- En caso de un incendio de aceite o grasa, no intente extinguirlo con agua. Llame inmediatamente al departamento de bomberos. En ciertos casos, un extintor tipo BC o ABC puede contener el incendio.
- Use la unidad sobre una superficie no combustible y estable tal como tierra, concreto, ladrillo o piedra. Mejor no utilizar una superficie de asfalto (bituminosa) para este propósito.
- La unidad DEBE estar sobre el suelo. No coloque la unidad en mesas o mostradores. NO mueva la unidad por superficies desniveladas.
- No use la unidad en superficies de madera o inflamables.
- Mantenga el área alrededor de la unidad despejada y libre de materiales combustibles, como gasolina y otros vapores y líquidos inflamables.
- No deje la unidad desatendida.
- Mantenga a los niños y mascotas lejos de la unidad en todo momento. NO permita que los niños usen la unidad. Es necesaria una supervisión cercana si hay niños o mascotas en el área donde su usa la unidad.
- NO permita que nadie realice actividades alrededor a esta unidad durante o después de su uso hasta que se haya enfriado.
- Nunca use recipientes de vidrio, plástico o cerámica en la unidad. Nunca coloque utensilios vacíos en la unidad mientras esté en uso.
- Nunca mueva la unidad cuando esté en uso. Deje que la unidad se enfríe completamente (por debajo de los 115°F (45°C) antes de moverla o guardarla.
- Almacene únicamente cuando el fuego esté totalmente apagado y todas las superficies estén frías.
- Nunca utilice esta unidad como un calentador (LEER PELIGRO DE MONOXIDO DE CARBONO).
- La unidad está CALIENTE mientras está en uso y permanecerá CALIENTE por un cierto período de tiempo y durante el proceso de enfriamiento. Tenga PRECAUCION. Use guantes/mitones de protección.
- Tenga cuidado cuando retire los alimentos de la unidad. Todas las superficies están CALIENTES y pueden causar quemaduras. Use guantes/mitones de protección o herramientas de cocción resistentes para protegerse de las superficies calientes o las salpicaduras de los líquidos de la cocción.
- NO choque o golpee la unidad para evitar lesiones personales, daños a la unidad o derrames/salpicaduras del líquido de cocción caliente.
- No toque las superficies CALIENTES
- La unidad está caliente durante su uso. Para evitar quemaduras, mantenga el rostro y cuerpo lejos de la puerta, tapa y ductos. Se expelen vapor y aire caliente durante el uso.
- Los reguladores de aire están CALIENTES mientras la unidad esté en uso y durante el enfriamiento; use guantes protectores cuando realice ajustes.
- La unidad tiene una llama abierta. • Mantenga sus manos, cabello y rostro lejos de la llama del quemador. NO se incline sobre el quemador mientras lo esté encendiendo. El cabello y la ropa sueltos pueden incendiarse.
- NO obstruya el flujo de combustión y ventilación.
- No cubra las rejillas de cocción con papel aluminio. Esto atraparé el calor y podría causar daños a la unidad.
- La instalación de la unidad debe estar conforme a los códigos locales o en la ausencia de estos, al Código nacional de gas combustible, ANSI Z223.1/NFPA 54, Almacenamiento y manejo de gases de petróleo licuados, ANSI/NFPA 58 o CSA B149.1, al Código de instalación de gas natural; Almacenamiento y manejo de propano, CSA B149.2; o la Norma para vehículos recreacionales, ANSI A119.2/NFPA 1192; y el Código de vehículos recreacionales, CSA Z240 serie RV, según corresponda.
- Antes de cada uso inspeccione la manguera de gas en busca de signos de daño.

**LAS ADVERTENCIAS Y SALVAGUARDAS
IMPORTANTES CONTINÚAN EN LA PÁGINA 18**



ADVERTENCIAS Y SALVAGUARDAS IMPORTANTES CONTINUACIÓN DESDE LA PÁGINA 17

- Mantenga la manguera de suministro de combustible lejos de cualquier superficie calentada.
- Mantenga la manguera de suministro de combustible lejos de la unidad mientras esté en operación.
- Se **DEBE** usar el ensamblaje del regulador y la manguera suministrado con esta unidad. Si necesita repuestos, contáctese con el Servicio de atención al cliente de Masterbuilt al: 1-800-489-1581.
- Use un cilindro de gas de 20LB (9kgs) que tenga un anillo protector (el cilindro no viene incluido con la unidad).
- Mantenga las aberturas de ventilación del recinto del cilindro libres y despejadas.
- El cilindro de gas LP que se usa debe estar construido y marcado en conformidad con las especificaciones de cilindros de gas LP del Departamento de Transporte de los EE. UU. (DOT) o la Norma de cilindros, esferas y tubos para el transporte de artículos peligrosos, CAN/CSA-B339.
- Nunca use el cilindro de gas si hay evidencia de ranuras, hendiduras, bultos, daños de incendio, erosión, fugas, óxido excesivo u otras formas de daños externos visibles. Esto puede ser peligroso y el cilindro deberá llevarse a un proveedor de propano líquido para ser revisado.
- Nunca conecte/desconecte el cilindro de gas, mueva o modifique los aditamentos del gas cuando la unidad esté en operación.
- Siempre desconecte el cilindro de gas de la unidad cuando no esté en uso.
- La unidad ha sido diseñada para funcionar únicamente con gas propano. Solo use cilindros de gas que tengan la marca de propano con esta unidad.
- Este producto **NO** funcionará con gas natural.
- Cuando haya terminado de usarlo, siempre apague primero la perilla de control del ahumador, luego apague la válvula del cilindro de gas y finalmente desconecte el cilindro.
- El gas **DEBE** apagarse en el cilindro de suministro cuando no esté en uso.
- El cilindro **DEBE** almacenarse en exteriores, fuera del alcance de los niños y **NO** debe almacenarse en un edificio, garaje u otra área cerrada.
- **NO** almacene cilindros de repuesto de gas LP bajo o cerca de la unidad. La válvula de alivio de seguridad del cilindro de gas puede sobrecalentarse, permitiendo al gas liberarse causando un incendio, que podría causar la muerte o lesiones graves.
- Nunca llene el cilindro más del 80%, de lo contrario, éste podría liberar gas causando un incendio, que podría causar la muerte o lesiones graves.
- Coloque una tapa guardapolvos en la salida de la válvula del cilindro cuando no esté en uso. Solamente instale la tapa guardapolvos que viene con el cilindro. Otras tapas o tapones podrían causar fugas.
- Si huele, escucha u observa gas escapando, retírese inmediatamente del cilindro de gas y llame al Departamento de bomberos. El fuego puede causar la muerte o lesiones graves.
- Revise los pasos de encendido antes de usar.
- Nunca use líquido de encendedor con propano.
- Las astillas de madera o bloques de madera deben usarse para producir humo y crear el sabor del humo.
- El tazón/bandeja de trozos de madera del tazón de disco de la llama está **CALIENTE** cuando la unidad está en uso. Use precaución cuando agregue madera.
- Revise la bandeja de grasa con frecuencia durante la cocción. Vacíe la bandeja de grasa antes que se llene. La bandeja de grasa puede necesitar un vaciado frecuente durante la cocción.
- No abra la(s) puerta(s) del ahumador a menos que sea necesario. Abrir la(s) puerta(s) del ahumador hace que el calor se escape, causando mayores tiempos de cocción y estallidos de la madera. Cerrar la(s) puerta(s) volverá a estabilizar la temperatura y detendrá cualquier estallido.
- Este es un ahumador. Se producirá una gran cantidad de humo cuando se usan los trozos de madera. El humo escapará a través de las ranuras y hará que el interior del ahumador se ponga negro. Esto es normal. Para minimizar la pérdida de humo alrededor de la(s) puerta(s), se puede ajustar el seguro para ajustar más el sello de la puerta contra el cuerpo.
- Para ajustar el asa/seguro de la puerta, afloje los dos tornillos que fijan el gancho de la puerta al cuerpo del ahumador. Deslice el gancho de la puerta hacia adelante o atrás para alcanzar el sellado deseado de la puerta. Luego reajuste los dos tornillos del gancho de la puerta. Tenga cuidado de no ajustar demasiado el asa/seguro ya que podría causar daños a la unidad y hacerla difícil de operar. La puerta debe ajustarse para que se cierre completamente.
- Cuando la temperatura externa sea menor de 65°F (18°C) y/o la altitud mayor de 3,500 pies (1067m), puede ser necesario un tiempo de cocción adicional. Para asegurarse que la carne esté completamente cocida utilice un termómetro para carnes para comprobar la temperatura interna.
- No use perlas de madera.
- Los alimentos necesitan estar en el centro de las rejillas de ahumado. Esto permite que los goteos de los alimentos caigan en la bandeja de agua.
- No deje madera o cenizas antiguas en el tazón/bandeja de trozos de madera del tazón de disco de la llama. Una vez que las cenizas estén frías, vacíe el tazón/bandeja. El tazón/bandeja debe limpiarse antes de y después de cada uso para evitar la acumulación de cenizas y residuos.
- Deseche las cenizas frías colocándolas en papel aluminio, remojándolas en agua y desechándolas en un contenedor no combustible.
- No almacene la unidad con cenizas **CALIENTES** dentro de la unidad.

CONSERVE ESTAS INSTRUCCIONES

OPERACIÓN DEL AHUMADOR - LEA Y SIGA TODAS LAS INSTRUCCIONES CUIDADOSAMENTE

INICIO

- Cure previamente la unidad antes del primer uso. Ver **INSTRUCCIONES DEL CURADO PREVIO**.
- Antes de iniciar la unidad, ver **AGREGAR CHIPS DE MADERA O AGREGAR BLOQUES DE MADERA**.
- Este ahumador viene equipado con topes para la puerta que sostendrán la puerta abierta durante la carga y descarga de alimentos.
- Esta ahumador viene calibrado entre +/- 25°F de cada punto de ajuste. Dependiendo de la cantidad de alimentos en el ahumador y el ambiente externo, podría ser necesario un pequeño ajuste para alcanzar la temperatura exacta deseada.

PRECAUCIÓN - Todas las superficies están CALIENTES y pueden causar quemaduras. Use guantes protectores o herramientas de cocina largas y resistentes cuando cargue/descargue alimentos o rejillas, y cuando agregue los trozos de madera o agua.

INSTRUCCIONES DEL CURADO PREVIO

Curar su ahumador hará que la unidad se deshaga de sustancias químicas y aceites dejados por el proceso de fabricación, permitiendo que se quemen y desvanezcan.

CURE PREVIAMENTE SU AHUMADOR ANTES DEL PRIMER USO.

1. Realice la prueba de agua jabonosa, ver **ADVERTENCIAS Y PROCEDIMIENTOS DE LA PRUEBA DE AGUA JABONOSA**.
2. Con una servilleta o paño, frote una delgada capa de aceite de cocina sobre las rejillas de ahumado y dentro de la puerta del ahumador. Asegúrese que la bandeja de agua esté en su lugar SIN AGUA.
3. Inicie el ahumador, configure a 350°F (177°C) y deje que queme por aproximadamente 1 hora.
4. Deje que la unidad se enfríe COMPLETAMENTE.
5. Vuelva a aplicar una delgada capa de aceite de cocina sobre las rejillas de ahumado y dentro de la puerta del ahumador.
6. Reinicie el ahumador y deje quemar por 20 minutos.
 - **Cure su ahumador periódicamente para evitar el óxido excesivo.**

INSTRUCCIONES DE OPERACIÓN

1. Para iniciar el ahumador ver **INSTRUCCIONES DE ENCENDIDO**.

2. Con guantes protectores, coloque la bandeja de agua en posición. Vierta 1 pulgada de agua, jugo o vinagre en la bandeja de agua. Esto va a añadir sabor y humedad a los alimentos, y evitará que se sequen.
3. NO cubra las rejillas con papel de aluminio ya que esto no permitirá que el calor circule correctamente.
4. **AGREGAR CHIPS DE MADERA:** Precalentar el ahumador a la temperatura deseada durante aproximadamente 20 minutos. Después de que la unidad haya alcanzado la temperatura deseada, coloque hasta 1 taza (0.24 l) de astillas de madera en la bandeja de astillas de madera.

AGREGAR BLOQUES DE MADERA: Antes de precalentar el ahumador, coloque hasta 1 taza (0.24 l) de bloques de madera en la bandeja de astillas de madera, luego precaliente el ahumador a la temperatura deseada durante aproximadamente 20 minutos. La bandeja de astillas de madera puede no cerrarse completamente cuando se usan bloques de madera.

- Puede usar astillas o trozos de madera secos o preempapados en su ahumador. Las astillas secas o trozos se quemarán más rápido y producirán humo más intenso. Las papas fritas o trozos empapados previamente en agua (durante aproximadamente 30 minutos) arderán más lentamente y producirán un humo menos intenso.
 - NO AGREGUE MÁS DE 1 TAZA (0.24l) DE PIEZAS DE MADERA O BLOQUES A LA VEZ. **Nunca use pellets de madera.**
 - Coloque pedazos o bloques de madera adicionales en el ahumador según sea necesario para lograr el sabor de humo deseado.
 - **Las piezas o bloques de madera deben usarse para producir humo y crear el sabor ahumado.**
5. Coloque los alimentos en el ahumador, en el centro de la rejilla de ahumado.
 6. NO sobrecargue el ahumador con alimentos. Las cantidades extra grandes de comida pueden atrapar el calor, extender el tiempo de cocción y causar una cocción desigual. Deje espacio entre los alimentos y los lados del ahumador para asegurar una correcta circulación. Si está utilizando bandejas de cocción, asegúrese de no cubrir más del 75% del espacio de la rejilla y coloque las bandejas en el centro de la rejilla para asegurar una cocción uniforme.
 7. Al fumar uno o dos artículos, utilice las dos rejillas superiores para obtener los mejores resultados.
 8. Ajuste las configuraciones del ahumador, la perilla de control y el regulador de aire a la temperatura de cocción deseada.
 - Cierre el regulador de aire en la unidad para retener la humedad y el calor. Si cocina alimentos como pescado o carne seca, abra el regulador de aire para dejar escapar la humedad.
 9. Si las piezas o bloques de madera no fuman con un ajuste bajo, abra la puerta inferior ligeramente durante aproximadamente 2 minutos. Esto permitirá que la temperatura del gabinete caiga, lo que hará que el quemador se ajuste a una llama más grande y comenzará el proceso de ahumado.
 10. Tenga precaución cuando cocine en días ventosos para asegurarse de que la llama no se extinga. Su sospecha o experimenta la extinción de la llama, abra primero la puerta para verificar la llama y siga las **INSTRUCCIONES DE ENCENDIDO** para volver a encender el quemador, si es necesario. Ajuste la perilla de control del ahumador para tener una llama más grande y evitar que se vuelva a extinguir.
Nunca encienda el ahumador con la puerta cerrada.
 11. Las temperaturas extremadamente frías pueden extender los tiempos de cocción.
 12. Una vez que ha terminado de cocinar, apague la unidad, ver **INSTRUCCIONES DE ENCENDIDO** para apagar la unidad, retire el cilindro de gas y luego siga las **INSTRUCCIONES DE LIMPIEZA y ALMACENAMIENTO**. LIMPIE DESPUÉS DE CADA USO. Esto extenderá la vida de su ahumador y evitará el moho y los hongos.

INSTRUCCIONES DE LIMPIEZA y ALMACENAMIENTO

- SIEMPRE ASEGÚRESE QUE LA UNIDAD ESTÉ FRÍA AL TACTO ANTES DE LIMPIAR Y ALMACENAR.
- Asegúrese de limpiar el ahumador después de cada uso. Asegúrese que el cilindro de gas se haya apagado y retirado.
- Para los soportes de la rejilla, rejillas, bandeja de agua y bandeja de goteo, use un detergente para platos suave. Enjuague y seque exhaustivamente.
- Para la bandeja con los trozos de madera, limpie frecuentemente para retirar la acumulación, los residuos y el polvo.
- Deseche las cenizas frías colocándolas en papel aluminio, remojándolas en agua y desechándolas en un contenedor no combustible.
- Para el interior, exterior y sello de la puerta de la unidad, simplemente limpie con un paño luego de cada uso para mantener la unidad en óptimas condiciones de funcionamiento. No use agentes de limpieza caseros. Asegúrese de secar exhaustivamente.
- Luego de la limpieza, almacene el ahumador en un área cubierta y SECA.
- Almacene únicamente cuando el fuego esté totalmente apagado y todas las superficies estén frías.
- Cuando no lo use con frecuencia y tenga una cubierta, recuerde revisar su ahumador periódicamente para evitar posible óxido y corrosión debido a la acumulación de humedad.

VERIFIQUE EL SITIO WEB DE MASTERBUILT PARA MÁS CONSEJOS Y VIDEOS DE RECETAS.



ADVERTENCIA



REALICE LA "PRUEBA DE AGUA JABONOSA" ANTES DE CADA USO. VER SECCIÓN DE "PRUEBA DE AGUA JABONOSA" EN EL MANUAL. APAGUE TODAS LAS LLAMAS ABIERTAS ANTES DE CONECTAR EL REGULADOR AL CILINDRO DE GAS. APAGUE EL GAS DESPUÉS DE CADA USO.

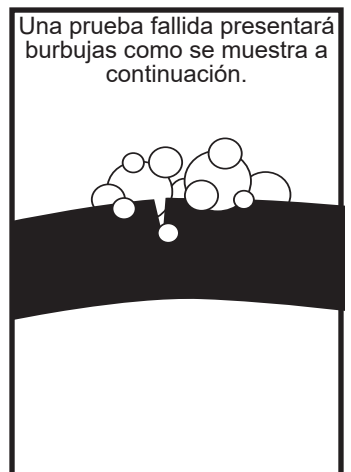
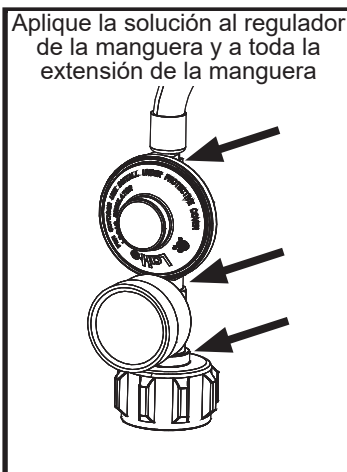
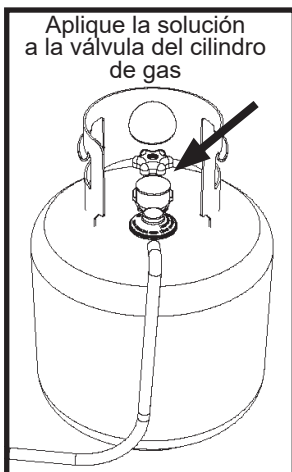
ADVERTENCIAS Y PROCEDIMIENTOS DE LA PRUEBA DE AGUA JABONOSA

ADVERTENCIAS

- La prueba de agua jabonosa DEBE realizarse cada vez que se conecta el cilindro de gas al quemador/a la manguera o cada vez que se usa.
- La prueba de agua jabonosa DEBE realizarse en exteriores, en un área bien ventilada.
- Al realizar la prueba de agua jabonosa mantenga la parrilla lejos de llamas abiertas, chispas o cigarrillos prendidos.
- Nunca use una llama abierta para probar fugas de gas.

PREPARACIÓN:

- Retire todo utensilio de cocina y accesorio de la unidad.
- Asegúrese que la válvula del cilindro de gas y el perilla de control estén apagados.
- Prepare la solución de agua jabonosa: (1) parte de líquido lavaplatos (o más, si desea), (3) partes de agua.
- Aplique la solución de agua jabonosa a la válvula del cilindro de gas, al regulador y a la manguera hasta llegar a la válvula de control del quemador.



PRUEBA DE LA VÁLVULA DEL CILINDRO DE GAS:

- Encienda la válvula del cilindro de gas y observe si hay burbujas. NO DEJE EL GAS ENCENDIDO POR MÁS DE 12 SEGUNDOS. Si aparecen burbujas, pare, APAGUE la válvula del cilindro de gas y reajuste los accesorios. Repita la prueba.

PRUEBA DEL REGULADOR Y LA MANGUERA:

- DESPUÉS que la válvula del cilindro de gas ha pasado la Prueba de agua jabonosa, encienda la válvula del cilindro de gas y revise si hay burbujas en la válvula de control del quemador. NO DEJE EL GAS ENCENDIDO POR MÁS DE 12 SEGUNDOS. Si aparecen burbujas, pare, apague la válvula del regulador ajustable, apague la válvula de cilindro del gas y vuelva a ajustar la conexión de donde se está fugando el gas. Si la manguera es la fuente de la fuga, PARE, no use la unidad. La manguera debe reemplazarse.
- CUANDO LA PRUEBA ESTÉ LISTA Y SI NO HAY FUGAS, ESPERE COMO MÍNIMO 5 MINUTOS PARA QUE DISMINUYAN LOS VAPORES DEL GAS ANTES DE ENCENDER EL QUEMADOR.

DURANTE CUALQUIER PARTE DE LA PRUEBA DE AGUA JABONOSA, SI CONTINÚAN APARECIENDO BURBUJAS PARE, NO USE LA UNIDAD. CONTACTE AL REPRESENTANTE LOCAL DE PROPANO O AL SERVICIO DE ATENCIÓN AL CLIENTE DE MASTERBUILT AL: 1-800-489-1581.

Nota: Use un cilindro de gas de 20LB (9kgs) que tenga un anillo protector con esta unidad. El cilindro NO viene incluido con esta unidad.

INSTRUCCIONES DE ENCENDIDO

CONEXIÓN Y OPERACIÓN DEL REGULADOR, QUEMADOR Y VÁLVULA DE GAS

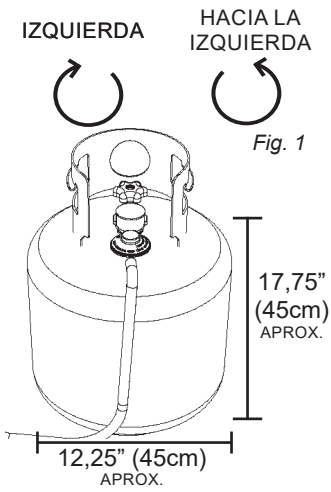


Fig. 1

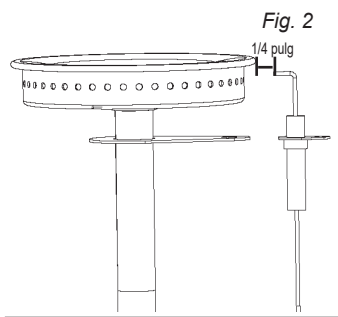


Fig. 2

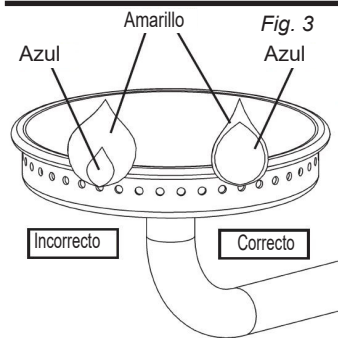


Fig. 3

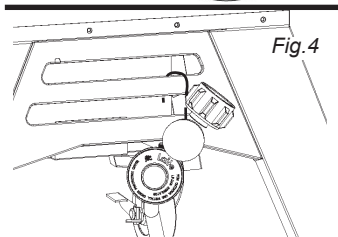
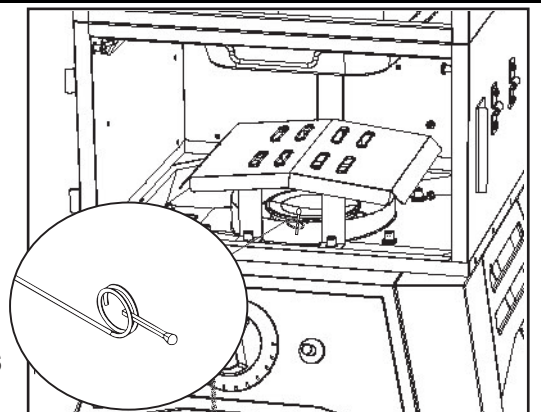


Fig. 4

- Inspeccione la manguera antes de cada uso. Si hay señales de abrasión, desgaste, cortes o fugas, reemplace la manguera. **NO USAR.**
- Inspeccione el quemador antes de cada uso. Revise el quemador y el tubo de venturi del quemador en busca de insectos y nidos de insectos. Un tubo obstruido puede conllevar a un incendio debajo de la unidad.
- Revise para ver si el orificio está centrado dentro del tubo de venturi. Si no ensambla el orificio de la válvula correctamente al tubo de venturi, puede haber un escape de gas o un incendio potencial en la conexión. Ver pasos de ensamblaje para el método de ensamblaje correcto.
- Verifique que el pin de ignición esté correctamente espaciado y alineado con el quemador. El pin de ignición debe ser de aproximadamente 1/4 pulg desde el quemador y estar alineado con la parte superior del puerto del quemador (Fig. 2). Confirme que el espaciado está correcto presionando el botón del arrancador y asegurándose que la chispa ocurra entre el pin de ignición y el quemador.
- Conecte el regulador de la manguera a un cilindro de gas LP
 1. Asegúrese que la válvula del cilindro de gas esté cerrada. Gire la perilla hacia la derecha hasta que pare.
 2. Asegúrese que la perilla de control en el ahumador esté en la posición de APAGADO.
 3. Retire la tapa protectora del cilindro de gas y la tuerca de acople, de ser aplicable.
 4. Centre e inserte la boquilla del regulador en la salida de la válvula en el cilindro de gas (Fig. 1). Gire la tuerca del acople del regulador hacia la derecha hasta que pare. **NO AJUSTAR DEMASIADO.**
- Realice la prueba de agua jabonosa.
- Antes de iniciar el procedimiento de encendido, asegúrese que la(s) puerta(s) del ahumador esté(n) abierta(s).
- Cuando encienda el quemador, retire todas las partes internas de la unidad para evitar una explosión debido a la acumulación de gas.
- Para usar, encienda la válvula del cilindro de gas, presione hacia adentro la perilla de control, sosteniéndola gírela hacia la izquierda, a la configuración de temperatura deseada. Presione el botón de ignición para encender, luego del encendido siga sosteniendo la perilla de control por 5 segundos para activar el sensor de la llama.
- Si no ocurre la ignición dentro de cinco segundos, apague la perilla de control y espere cinco minutos y repita los procedimientos de encendido. Si aun así, no se da la ignición, lea las instrucciones para el encendido con fósforos.
- Siempre asegúrese que la(s) puerta(s) del ahumador esté(n) abierta(s) antes de encenderlo. Se puede acumular gas en el ahumador.
- Si la llama se apaga durante la cocción, apague la perilla de control, apague la válvula del cilindro de gas, espere cinco minutos, luego abra la(s) puerta(s) y espere 5 minutos más antes de repetir las instrucciones de encendido anteriores.
- La perilla de control configure el ahumador a la temperatura deseada. Presione la perilla de control hacia adentro y gírela hacia la derecha para apagar la llama.
- Verifique visualmente la llama del quemador (Fig. 3). Una LLAMA CORRECTA debe ser azul con una pequeña porción de amarillo en la punta. Una LLAMA INCORRECTA es excesivamente amarilla e irregular. Si ocurre una llama incorrecta, gire la perilla de control a la posición de apagado (OFF), deje que la unidad se enfríe y luego limpie el quemador. Deje que el quemador se seque completamente antes de volver a encenderlo.
- Luego del uso, apague la perilla de control, luego apague la válvula del cilindro de gas y desconecte el tanque.
- Los reguladores Tipo 1 tendrán un gancho (Fig. 4). El gancho del regulador se usa para mantener al regulador lejos del suelo cuando se retira del cilindro de LP. Fije a la unidad como se muestra en la imagen.

INSTRUCCIONES PARA EL ENCENDIDO CON FÓSFOROS

1. Lea todas las instrucciones y advertencias antes del encendido.
2. Revise la perilla de control y la válvula del cilindro de gas para asegurarse que estén apagadas antes de conectarlas al cilindro de gas.
3. Realice la prueba de agua jabonosa antes de cada uso.
4. Abra la puerta durante el encendido y/o retire todos los accesorios y recipientes de cocción de la unidad.
5. Encienda la válvula del cilindro, presione la perilla de control dentro, sosténgala y gírela hacia la izquierda a la configuración de temperatura deseada, luego de la ignición, siga sosteniendo la perilla de control por 5 segundos para activar el sensor de la llama.
6. Coloque un fósforo largo, de esos para encender chimeneas, lo suficientemente cerca al quemador para que se encienda.
7. Si no se enciende en cinco segundos, apague la perilla de control y espere cinco minutos y luego repita las instrucciones para el encendido con fósforos.
8. Después de cada uso, primero apague la perilla de control y luego apague la válvula del cilindro de gas. Siempre permita que la unidad se enfríe completamente antes de tocarla, moverla o almacenarla.





ADVERTENCIA

En caso que no se pueda detener una fuga de gas, o si ocurre un incendio debido a una fuga de gas, llame a la estación de bomberos.

GUÍA PARA LA DETECCIÓN Y RESOLUCIÓN DE PROBLEMAS

Problema	Causa	Solución posible
Fuga de gas desde la manguera fisurada, cortada o quemada	Manguera dañada	Apague el gas en el cilindro de LP.
		Reemplace la manguera.
		Contacte a Masterbuilt al 1.800.489.1581.
Fuga de gas desde el cilindro de LP	Falla debido a óxido o equipo mal manejado	Reemplace el cilindro de LP.
Fuga de gas desde la válvula del cilindro de gas	Falla de la válvula debido al óxido, falla mecánica o equipo mal manejado	Apague la válvula del cilindro de gas y retorne el cilindro al proveedor de gas.
Hay una fuga de gas entre el cilindro de LP y la conexión del regulador	Instalación incorrecta, la conexión no está lo suficientemente ajustada, roscas dañadas o sello de hule dañado	Apague la válvula del cilindro de gas, luego vuelva a fijar el regulador al cilindro.
		Apague la válvula del cilindro de gas y retorne el cilindro al proveedor de gas.
		Inspeccione visualmente el sello de hule en busca de daños.
Fuego bajo el panel de control	Incendio en el tubo del quemador debido a bloqueo del quemador.	Apague la perilla de control del ahumador y la válvula del cilindro de gas. Una vez que el fuego se haya apagado y el quemador se haya enfriado, retire e inspeccione el quemador en busca de arañas, nidos, óxido u otros escombros.
Fuego de grasa o llama excesiva/continua	Acumulación de grasa sobre o alrededor del área del quemador	Apague la perilla de control del ahumador y la válvula del cilindro de gas. Deje que las llamas se apaguen y algo de tiempo para que la unidad se enfríe. Limpie las partículas de grasa/alimentos alrededor del quemador o área del quemador y superficies circundantes.
La llama no permanece encendida después de encenderse*	El cable del sensor de llama está suelto	Apague el gas. Desconecte el cilindro de LP. Apriete el cable del sensor de llama a la válvula.
Baja salida de llama*	Se agotó el combustible	Rellene o reemplace con un cilindro de LP lleno.
Las llamas se apagan con el aire*	Bajo gas LP	Rellene el cilindro de LP.
Explosión	Acumulación excesiva de grasa	Limpie el quemador y dentro de la unidad.
	Exceso de grasa en la carne	Corte y retire la grasa de la carne.
	Temperatura de cocción demasiado alta	Ajuste o baje la temperatura como corresponda.
Incendio persistente de grasa	Grasa atrapada por acumulación de alimentos alrededor del sistema del quemador	Apague la perilla de control del ahumador y la válvula del cilindro de gas. Deje que el fuego se apague y que la unidad se enfríe. Luego que se haya enfriado, retire y limpie las partes.
Explosión (fuego en el tubo del quemador).	El quemador y/o el tubo del quemador están bloqueados.	Apague la perilla de control del ahumador y la válvula del cilindro de gas. Limpie el quemador y/o el tubo del quemador.
Más lento que los tiempos de cocción esperados*	La válvula no está alineada correctamente con el quemador	Verifique para ver si la válvula está centrada en el tubo del quemador.

* También vea las soluciones de la Detección de problemas: "Causa" poco o nada de flujo/bloqueo de vapor/exceso de flujo a la parte inferior.

SOLUCIONES DE LA DETECCIÓN DE PROBLEMAS: "CAUSA" POCO O NADA DE FLUJO/BLOQUEO DE VAPOR/EXCESO DE FLUJO

Problema	Causa	Solución posible
El quemador no se enciende luego de presionar el botón arrancador	Bajo/nada de flujo de gas	<ol style="list-style-type: none"> Gire la perilla de control del ahumador a la posición de "Off". Gire la perilla de la válvula del cilindro de gas a "OFF". Desconecte el regulador del cilindro para aliviar el bloqueo de vapor. Reconecte el regulador al cilindro a mano girando hasta que esté ajustado. Abra ligera y lentamente la válvula del cilindro de gas y luego ábrala más con un giro completo. Ahora está listo para encender el ahumador. Gire la perilla de control del ahumador a alto y encienda con el arrancador.
	Bloqueo del vapor en la tuerca del acoplamiento al cilindro de LP	
Baja salida de llama	Activación de la válvula de flujo excesivo	
	Bloqueo del vapor en la conexión de la tuerca del acoplamiento/cilindro de LP	
Las llamas se apagan con el aire	Activación de la válvula de flujo excesivo	
Más lento que los tiempos de cocción esperados	Bloqueo de vapor	

FAQ

• ¿Se ajustó la temperatura de la unidad de un ajuste más alto a un ajuste más bajo? Por ejemplo, ¿era la unidad a 275 y cambiaba a 225?

En caso afirmativo, ¿se permitió que la unidad se estabilizara durante 5 minutos a la nueva temperatura antes de abrir / cerrar la (s) puerta (s)? Si no, deje que la unidad se estabilice entre los cambios de punto de ajuste durante 5 minutos antes de abrir y cerrar la (s) puerta (s). Durante este período de transición, la llama es vulnerable a los sopladors de potencial, bajo ciertas condiciones, porque la presión dentro del quemador se reduce mientras el sensor de temperatura se ajusta al punto de consigna inferior.

• ¿Está abierto el respiradero?

Si no, abra el respiradero para permitir que salga más calor de la unidad. Esto hará que la unidad requiera más entrada de calor para mantener su punto de ajuste que hará que la unidad aumente la altura de la llama creando una llama más fuerte.

• ¿Está lleno el recipiente de agua?

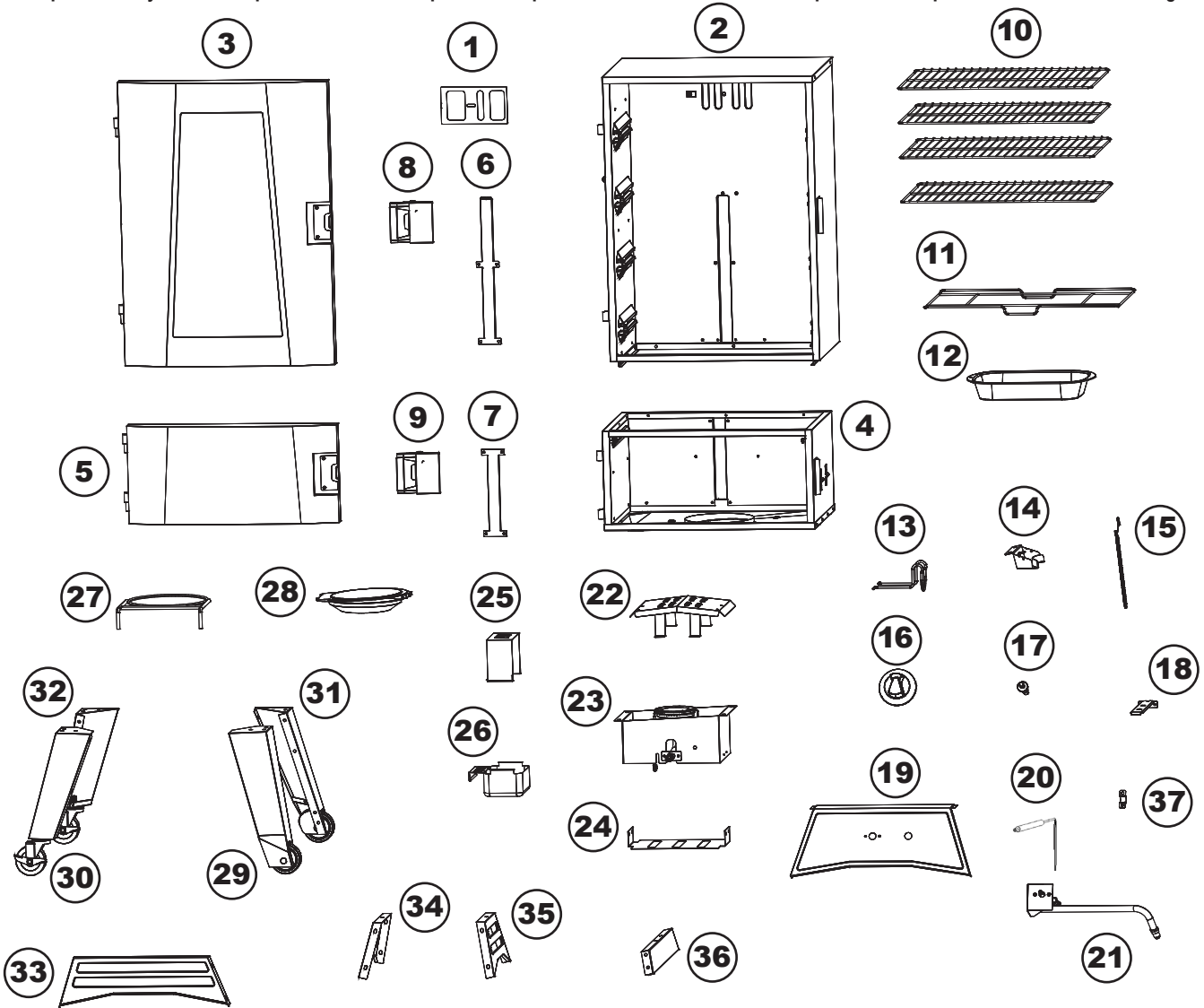
Si no, llene el recipiente de agua. Esto hará que la unidad requiera más entrada de calor para mantener su punto de ajuste que hará que la unidad aumente la altura de la llama creando una llama más fuerte.

• ¿El viento está fuera de los 5 mph?

En caso afirmativo, y todas las soluciones anteriores no mejoraron el rendimiento, elevar el punto de ajuste de la unidad para cocinar en esas condiciones.

PARTS LIST, LISTE DES PIÈCES, LISTA DE PARTES

Actual product may differ from picture shown • Le produit réel peut différer de l'illustration • El producto real puede ser distinto de la imagen mostrada



- Parts that are preassembled at time of purchase should be ordered separately if replacement is needed.
- Les pièces pré assemblées au moment de l'achat doivent être commandées séparément si le remplacement est nécessaire.
- Las piezas preensambladas en el momento de la compra deben pedirse por separado si se requiere reemplazo.

HARDWARE LIST, LISTE DE MATÉRIEL, LISTA DE HARDWARE



(A)
M6x12
Qty-45
Quantité-45
Cant.-45



(B)
M5x10
Qty-4
Quantité-4
Cant.-4



(C)
M4.2x8
Qty-15
Quantité-15
Cant.-15



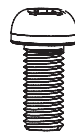
(D)
M4x8
Qty-6
Quantité-6
Cant.-6



(E)
M6 Lock
Qty-1
Quantité-1
Cant.-1



(F)
M6
Qty-22
Quantité-22
Cant.-22



(G)
M5x10
Qty-2
Quantité-2
Cant.-2

PARTS LIST, LISTE DES PIÈCES, LISTA DE PARTES

NO/Nº/NO	QTY/QTÉ./CANT.	DESCRIPTION	DESCRIPTION	DESCRIPCIÓN
1	1	Air Damper	Clapet d'aération	Regulador de aire
2	1	Top Smoker Body	Top fumeur de corps	Cuerpo superior Fumador
3	1	Top Smoker Door	Porte fumeur Top	Puerta superior fumador
4	1	Bottom Smoker Body	Corps de fumeur en bas	Parte inferior del ahumador
5	1	Bottom Smoker Door	Porte fumeur fond	La puerta del ahumador inferior
6	1	Top Cabinet Temperature Sensor Cover	Armoire supérieure couvercle du capteur de température	Cubierta del sensor de temperatura superior del gabinete
7	1	Bottom Cabinet Temperature Sensor Cover	Armoire inférieure couvercle du capteur de température	Cubierta del sensor de temperatura del fondo del gabinete
8	1	Top Door Handle	Poignée de porte Top	Manija de la puerta superior
9	1	Bottom Door Handle	Poignée de porte en bas	Manija de la puerta inferior
10	4	Smoking Rack	Étagère fumeurs	Estante de fumadores
11	1	Water Bowl Rack	Support du réservoir d'eau	Sostenedor de la bandeja de agua
12	1	Water Bowl	Réservoir d'eau	Bandeja de agua
13	1	Tank Retainer Bracket	Réservoir de retenue Bracket	El tanque de retención del soporte
14	1	Tank Support	Support de réservoir	Soporte de la cisterna
15	1	Match Stick w/Chain	Allumette avec chaîne	Palillo de fósforo con cadena
16	1	Control Knob	Bouton de commande	Perilla de control
17	1	Ignitor	Ignitor	Ignitor
18	1	Cabinet Temperature Sensor Bracket	Cabinet du capteur de température Support	Gabinete soporte del sensor de temperatura
19	1	Control Panel	Panneau de commande	Panel de control
20	1	Cabinet Temperature Sensor	Cabinet du capteur de température	Sensor de temperatura del armario
21	1	Valve Assembly	Assemblée Valve	Conjunto de válvula
22	1	Heat Diffuser	Diffuseur	Difusor de calor
23	1	Burner Box Kit	Ensemble bac à combustion	Kit de la caja del quemador
24	1	Heat Shield	Écran thermique	Protector contra el calor
25	1	Grease Tray Bracket	Support du collecteur de graisse	Soporte de la bandeja de grasa
26	1	Grease Tray	Collecteur de graisse	Bandeja de grasa
27	1	Wood Chip Tray Rack	Claie de copeaux de bois	Estante de la bandeja para astillas de madera
28	1	Wood Chip Tray w/Lid	Bac à copeaux de bois avec couvercle	Bandeja de astillas de madera con tapa
29	1	Right Front Leg	Droite Jambe Avant	Frente de la pierna derecha
30	1	Left Front Leg	Jambe avant gauche	Pierna izquierda Frente
31	1	Right Rear Leg	Patte arrière droite	Pata trasera derecha
32	1	Left Rear Leg	Jambe arrière gauche	Pata trasera izquierda
33	1	Rear Leg Brace	Arrière attelle	Paréntesis de la pierna trasera
34	1	Left Side Leg Brace	Jambe renfort latéral gauche	Abrazadera del lado izquierdo de la pierna
35	1	Right Side Leg Brace	Jambe accolade côté droit	Lado derecho pierna ortopédica
36	1	Tank Leg Brace	Réservoir d' attelle jambe	Refuerzo de las patas del tanque
37	1	Gas Manifold Bracket	Support de collecteur de gaz	Soporte de colector de gas



WARNING, AVERTISSEMENT!, ¡ADVERTENCIA!



- Smoker should only be rolled on smooth surface.
- Ne faire rouler le fumeur que sur une surface lisse.
- El ahumador solo debe empujarse sobre una superficie lisa.



- Smoker should never be rolled up/down stairs or uneven surface.
- Ne jamais faire rouler le fumeur dans des escaliers ou sur une surface inégale.
- El ahumador nunca debe empujarse escaleras arriba/abajo o sobre superficies desiguales.



- Potential damage to smoker or harm to user may result from failure to follow warnings.
- Si les avertissements ne sont pas respectés, des dommages au fumeur ou des blessures à l'utilisateur pourraient s'ensuivre.
- El daño potencial al ahumador o daño a algún usuario pueden ser el resultado de no seguir las advertencias.



DO NOT RETURN TO RETAILER for assembly assistance, missing or damaged parts.

Please contact MASTERBUILT customer service at 1-800-489-1581 or support.masterbuilt.com. Please have the model number and serial number available. These numbers are located on the silver rating label on the unit.



NNE PAS RETOURNER AU DÉTAILLANT pour l'assistance d'assemblage, pièces manquantes ou endommagées. S'il vous plaît contacter le service à la clientèle au 1-800-489-1581 ou MASTERBUILT support.masterbuilt.com. S'il vous plaît avoir le numéro de modèle et le numéro de série. Ces numéros se trouvent sur la plaque signalétique de l'argent sur l'unité.



NO REGRESE A DISTRIBUIDOR para ayuda con el montaje, partes faltantes o dañados. Por favor, póngase en contacto con el servicio al cliente al 1-800-489-1581 o MASTERBUILT support.masterbuilt.com. Tenga a mano los números de modelo y número de serie. Estos números se encuentran en la placa de plata en la unidad.

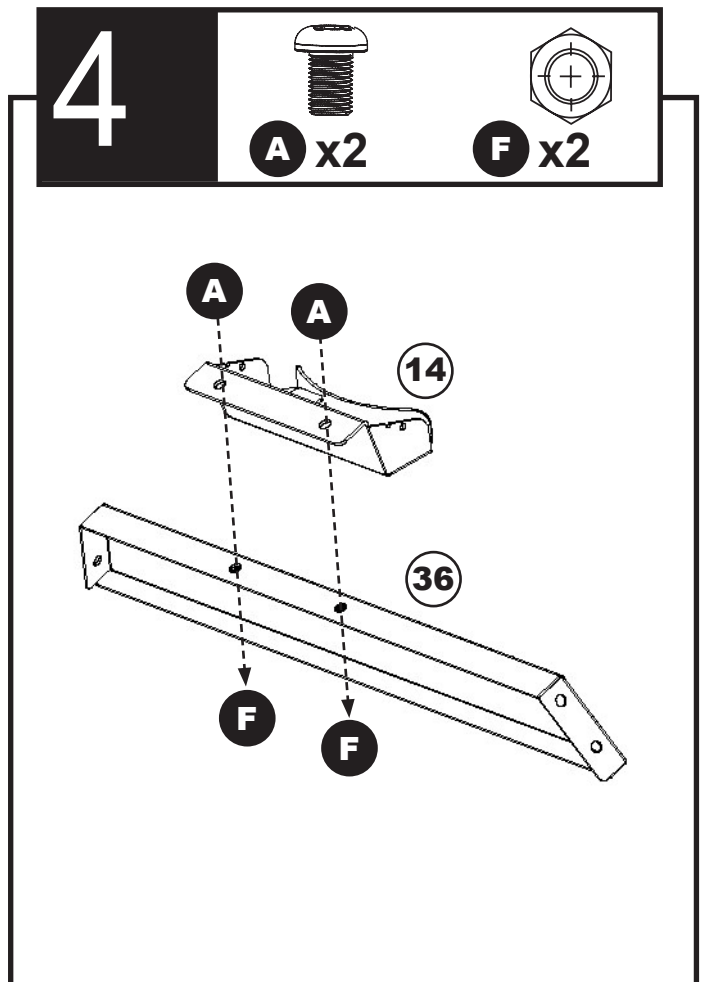
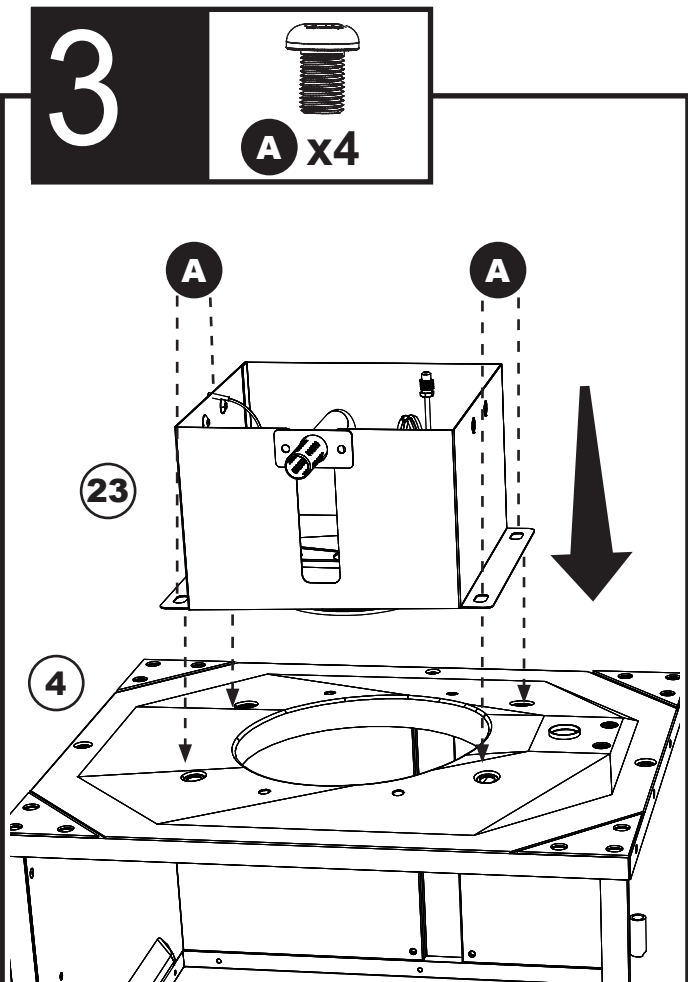
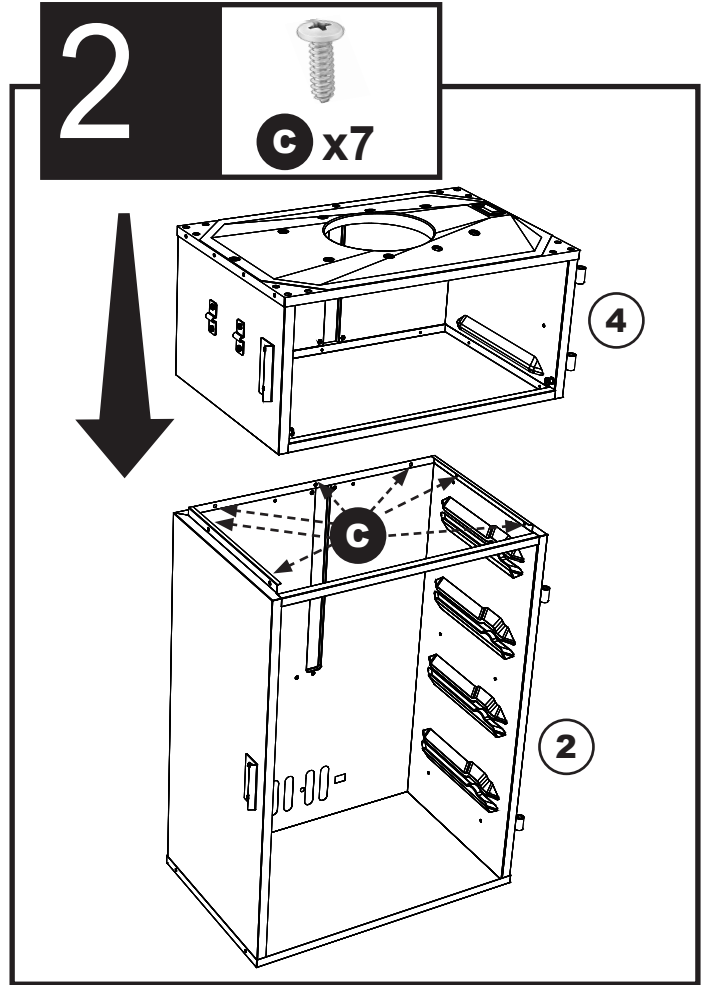
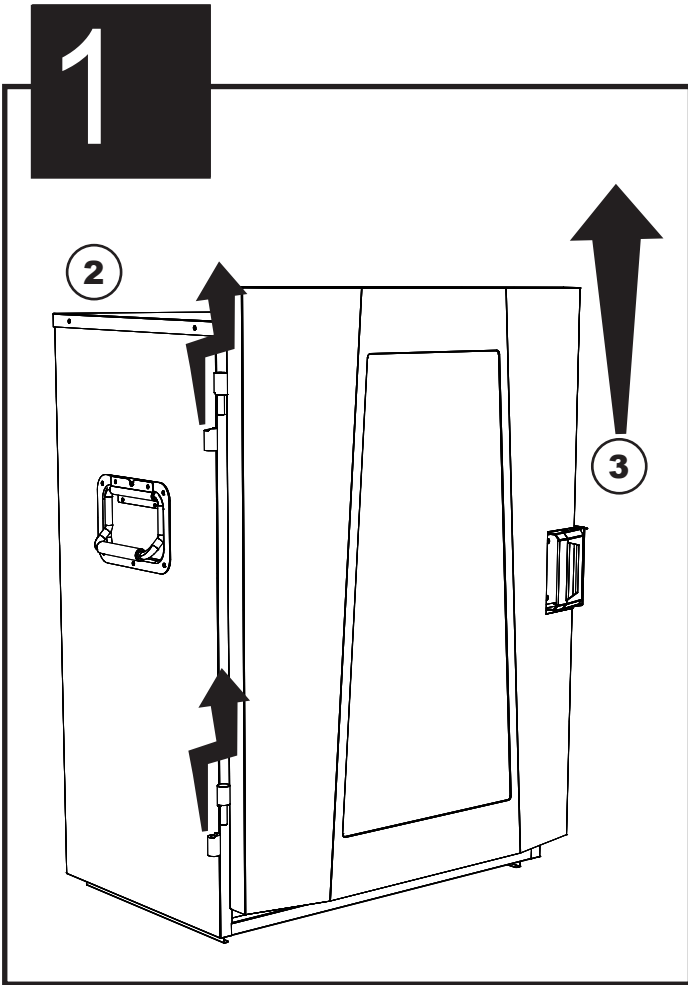
- **BEFORE ASSEMBLY READ ALL INSTRUCTIONS CAREFULLY.**
- **ASSEMBLE UNIT ON A CLEAN, FLAT SURFACE.**
- **TOOLS NEEDED: Adjustable Wrench, Phillips Head Screwdriver**
- **Approximate assembly time: 35 minutes**
- * **Actual product may differ from picture shown**
- ** **It is possible that some assembly steps have been completed in the factory. ****

- **AVANT L'ASSEMBLAGE, LIRE ATTENTIVEMENT TOUTES LES INSTRUCTIONS.**
- **ASSEMBLER L'APPAREIL SUR UNE SURFACE PLANE ET PROPRE.**
- **OUTILS NÉCESSAIRES : CLÉ AJUSTABLE, TOURNEVIS CRUCIFORME.**
- **Temps nécessaire pour l'assemblage : environ 35 minutes**
- * **Le produit réel peut différer de l'illustration**
- ****Il est possible que certaines étapes d'assemblage aient été effectuées en usine.****

- **ANTES DEL ENSAMBLAJE LEA TODAS LAS INSTRUCCIONES CUIDADOSAMENTE.**
- **ENSAMBLE LA UNIDAD EN UNA SUPERFICIE LIMPIA Y PLANA.**
- **HERRAMIENTA NECESARIA: LLAVE AJUSTABLE, DESTORNILLADOR EN CRUZ.**
- **Tiempo aproximado de ensamblaje: 35 minutos**
- * **El producto real puede ser distinto de la imagen mostrada**
- ****Algunos pasos del ensamblaje pueden ya estar completados debido a un preens amblaje en fábrica.****

ASSEMBLY, ASSEMBLAGE, ENSAMBLAJE

Actual product may differ from picture shown • Le produit réel peut différer de l'illustration • El producto real puede ser distinto de la imagen mostrada



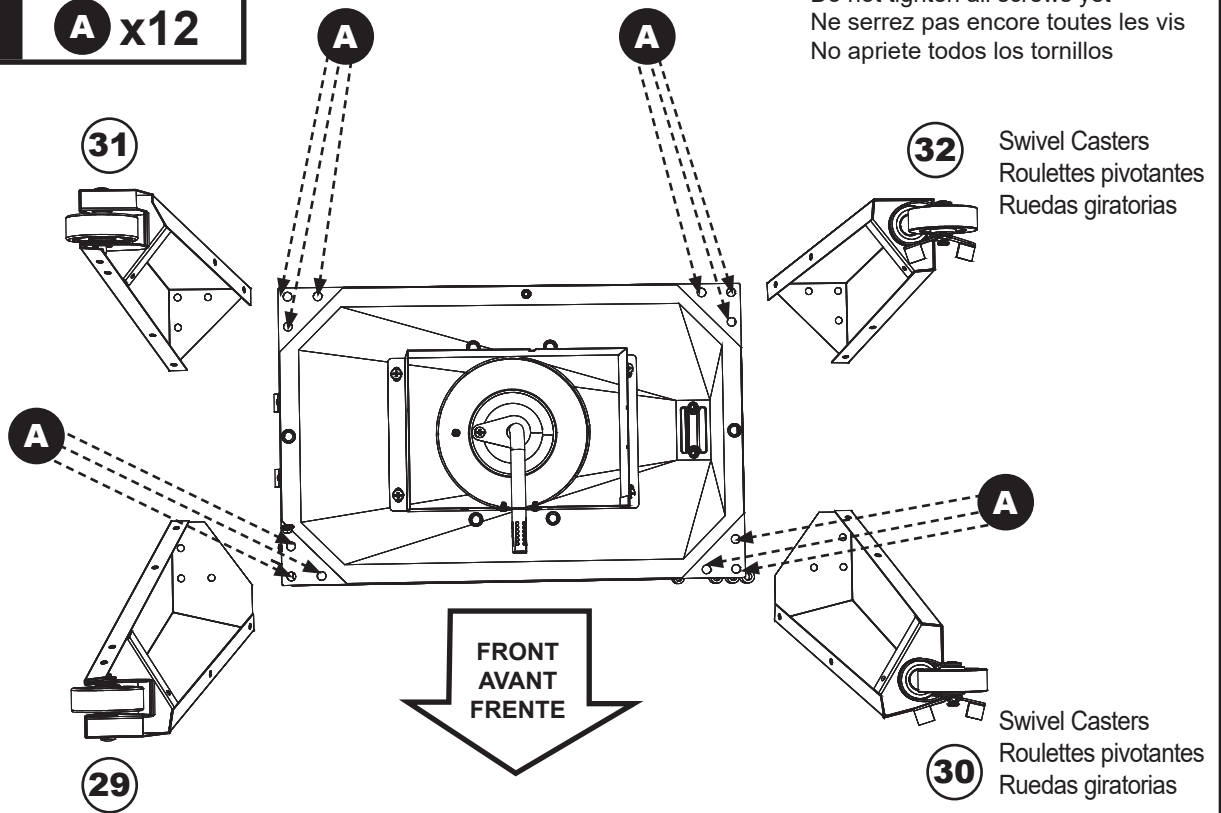
ASSEMBLY, ASSEMBLAGE, ENSAMBLAJE

5



A x12

Do not tighten all screws yet
Ne serrez pas encore toutes les vis
No apriete todos los tornillos



6

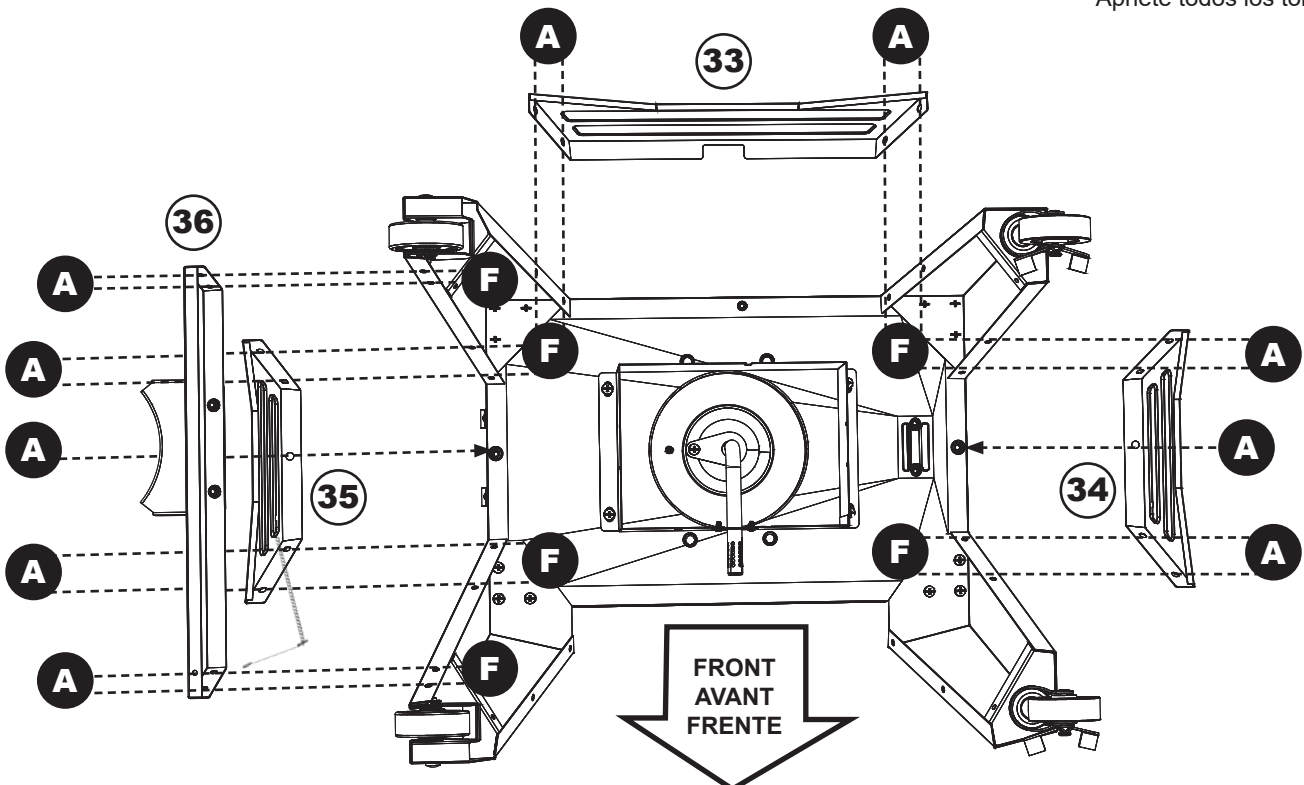


A x18

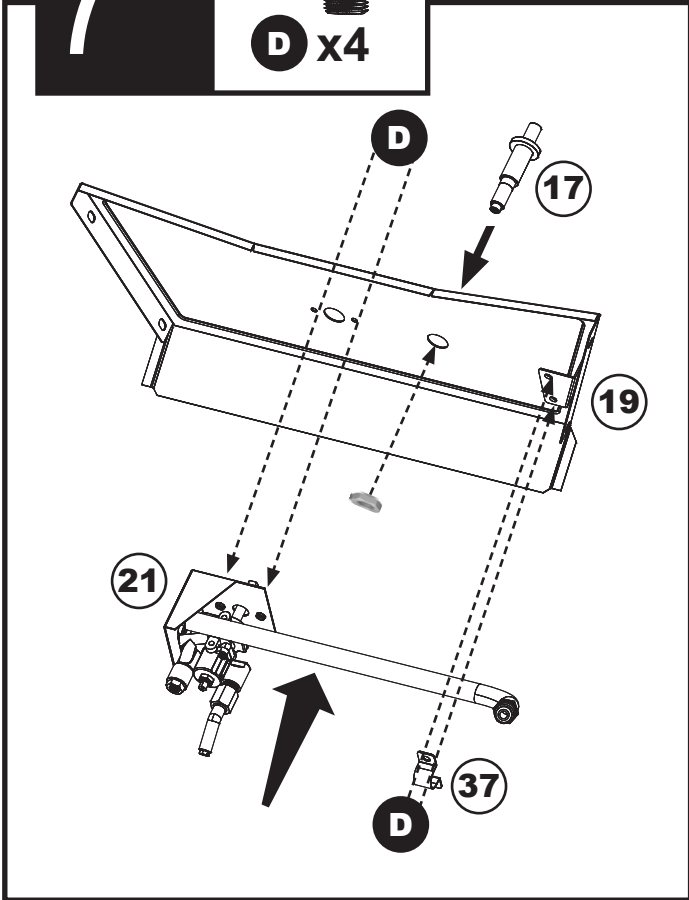


F x16

Tighten all screws
Serrer toutes les vis
Apriete todos los tornillos

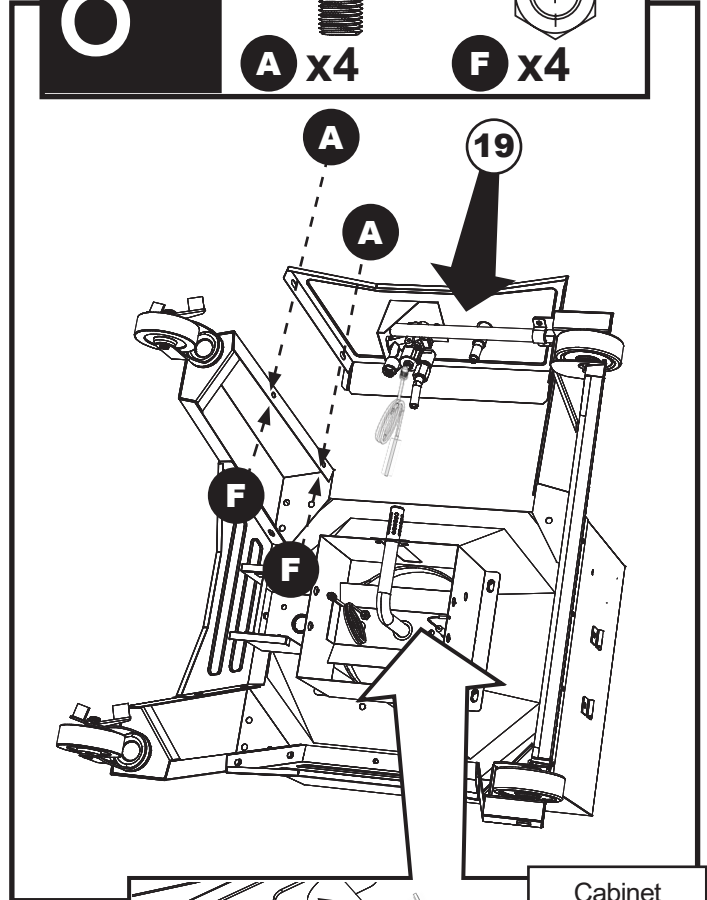


7

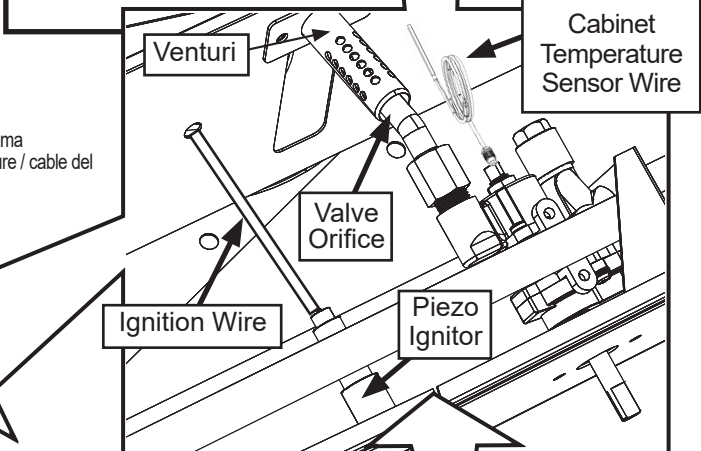
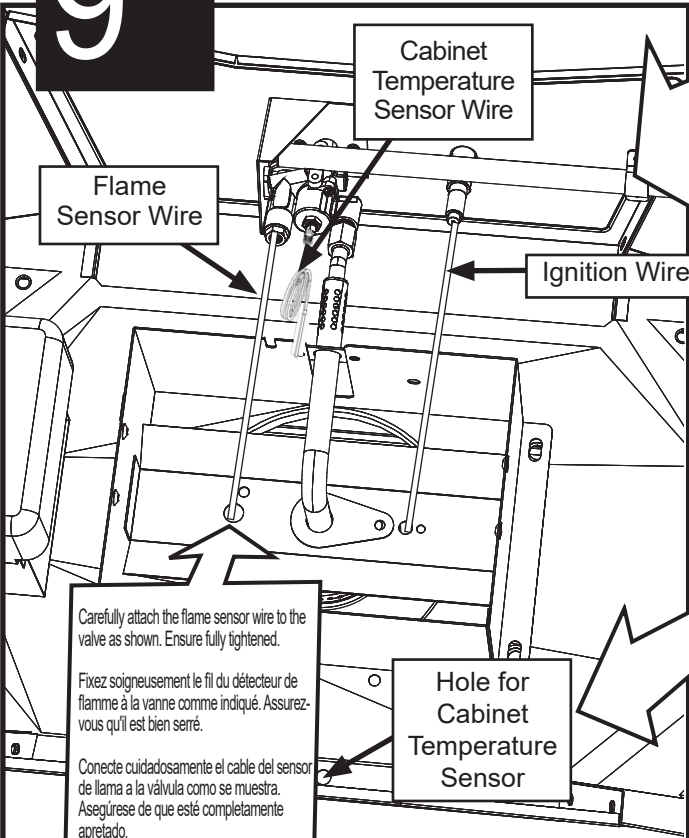


Venturi / Tube de Venturi / Venturi
 Valve Orifice / Orifice du robinet / Orificios de la válvula
 Piezo Ignitor / Dispositif d'allumage venturi / Arrancador piezoeléctrico
 Ignition Wire / Fils du dispositif d'allumage / Alambres de ignición
 Flame Sensor Wire / Fil de capteur de flamme / Cable del sensor de llama
 Cabinet Temperature Sensor Wire / armoire fil de capteur de température / cable del sensor de temperatura del gabinete

8



9



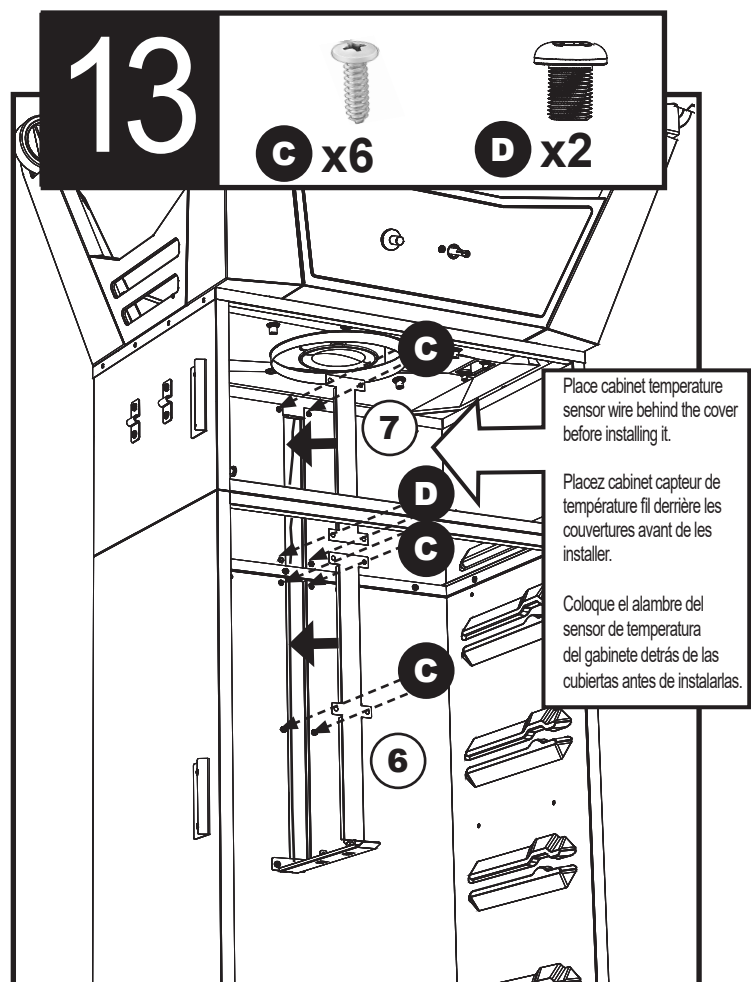
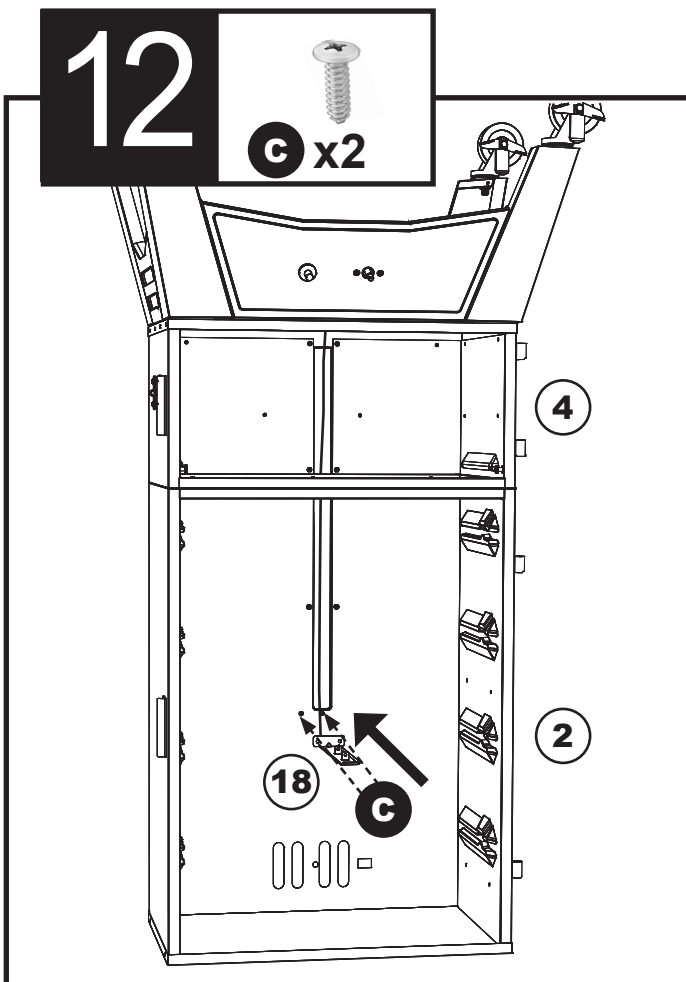
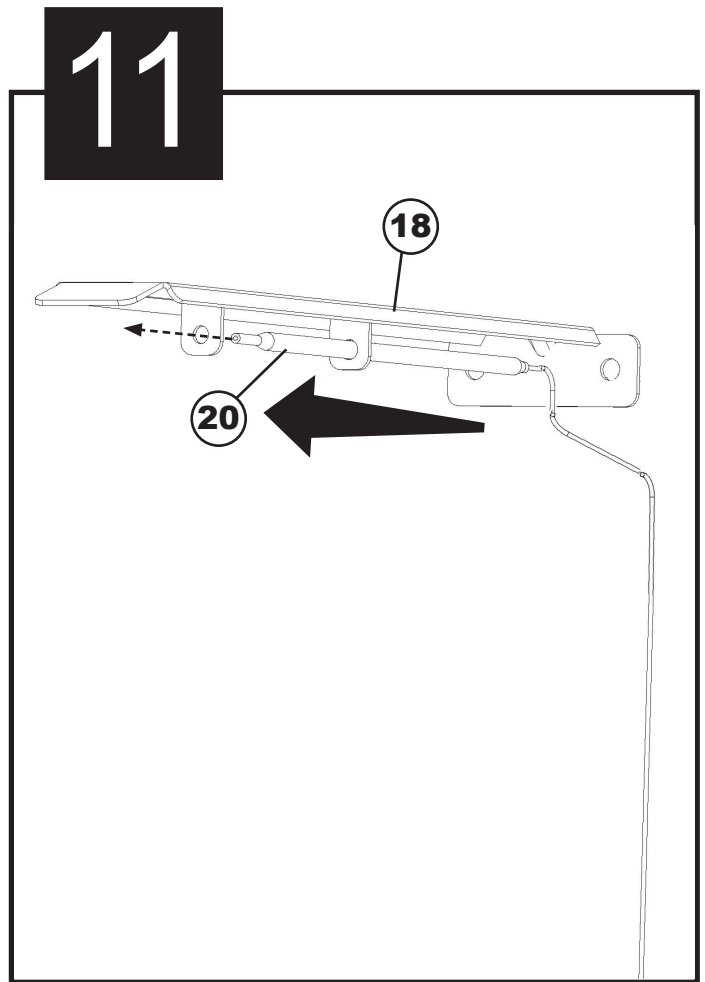
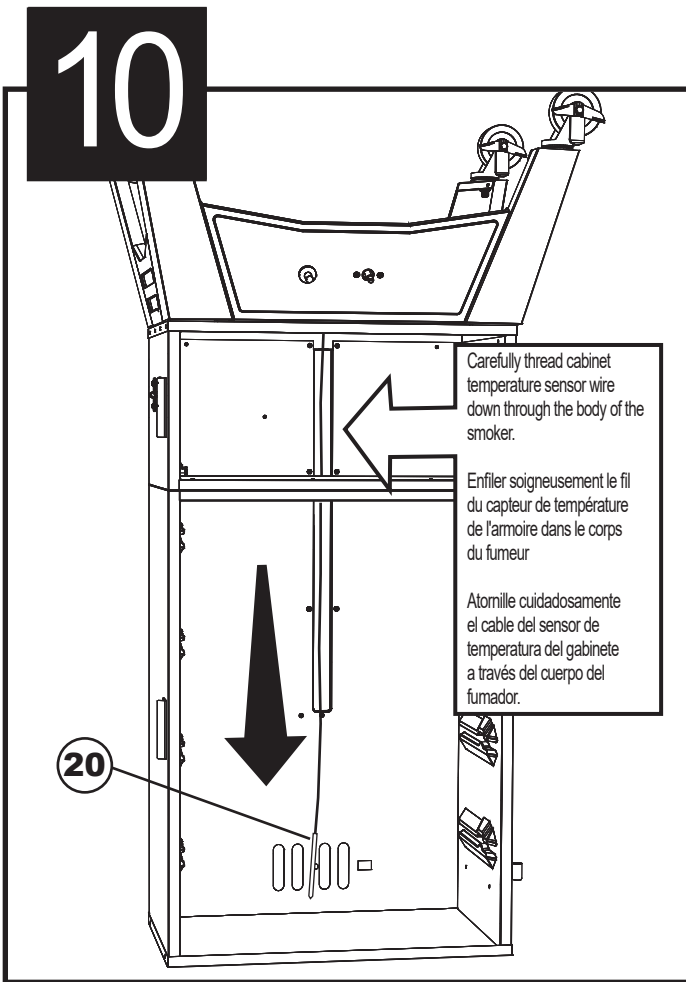
Carefully attach the flame sensor wire to the valve as shown. Ensure fully tightened.
 Fixez soigneusement le fil du détecteur de flamme à la vanne comme indiqué. Assurez-vous qu'il est bien serré.
 Conecte cuidadosamente el cable del sensor de llama a la válvula como se muestra. Asegúrese de que esté completamente apretado.

Hole for Cabinet Temperature Sensor

Align venturi over valve orifices and attach ignition wire to piezo ignitor on control panel.
 En alignant soigneusement le tube de Venturi aux orifices du robinet et en fixant solidement les fils d'allumage au dispositif d'allumage piézo sur le panneau de contrôle.
 Alinear venturi más orificios de la válvula y una el cable de encendido a encendedor piezoeléctrico en el panel de control.

Carefully uncoil the cabinet temperature sensor wire and locate the hole at the back of the smoker body (shown here). **USE EXTREME CARE NOT TO CRIMP OR BREAK THE CABINET TEMPERATURE SENSOR WIRE** (oil filled).
 Dévisser soigneusement le fil du capteur de température de l'armoire et localiser le trou à l'arrière du corps du fumeur (illustré ici). **UTILISEZ UN TRAITEMENT EXTRÊME POUR NE PAS SERTIR NI DÉBARRER LE FIL DU CAPTEUR DE TEMPÉRATURE** (rempli d'huile).
 Desenrolle cuidadosamente el cable del sensor de temperatura del gabinete y localice el agujero en la parte posterior del cuerpo del fumador (mostrado aquí). **UTILICE UN EXTREMO CUIDADO PARA NO PIRAR O ROMPER EL ALAMBRE DEL SENSOR DE TEMPERATURA DEL GABINETE** (lleno de aceite).

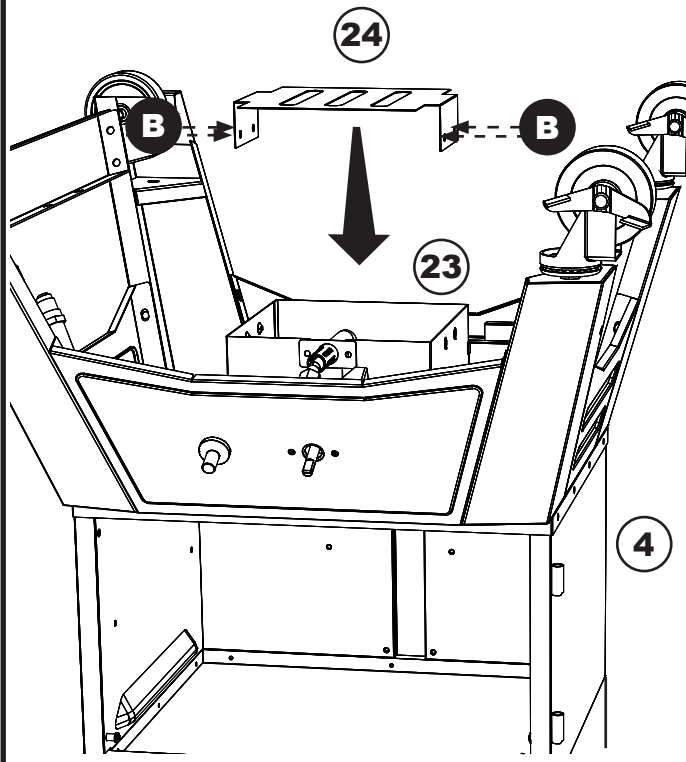
CAUTION: Over bending the cabinet temperature sensor wire could result in damage.
ATTENTION: Au cours de la flexion de l'armoire température fil du capteur pourrait entraîner une rupture.
PRECAUCIÓN: Durante la flexión del cable del sensor de temperatura del gabinete podría producirse una ruptura.



14



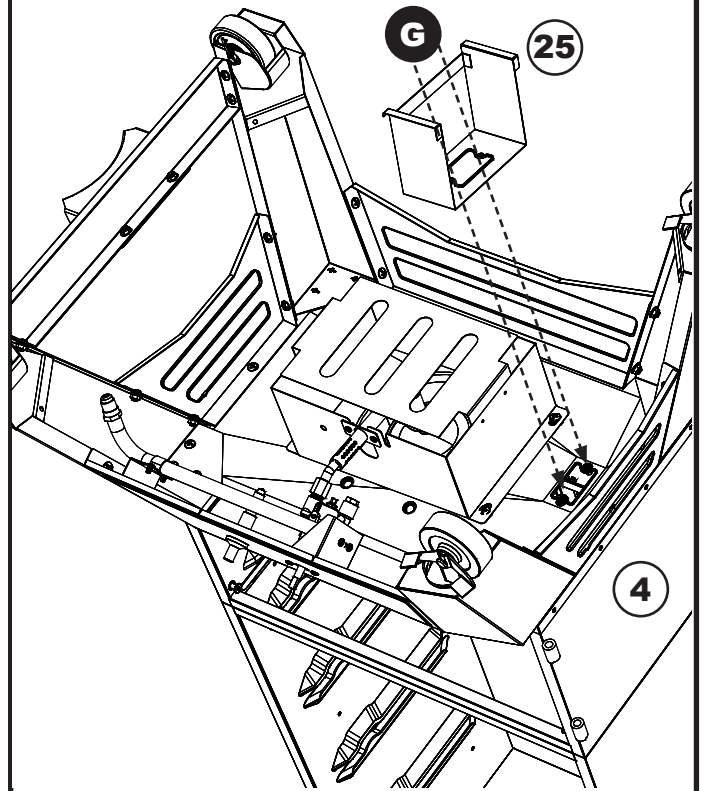
B
x4



15



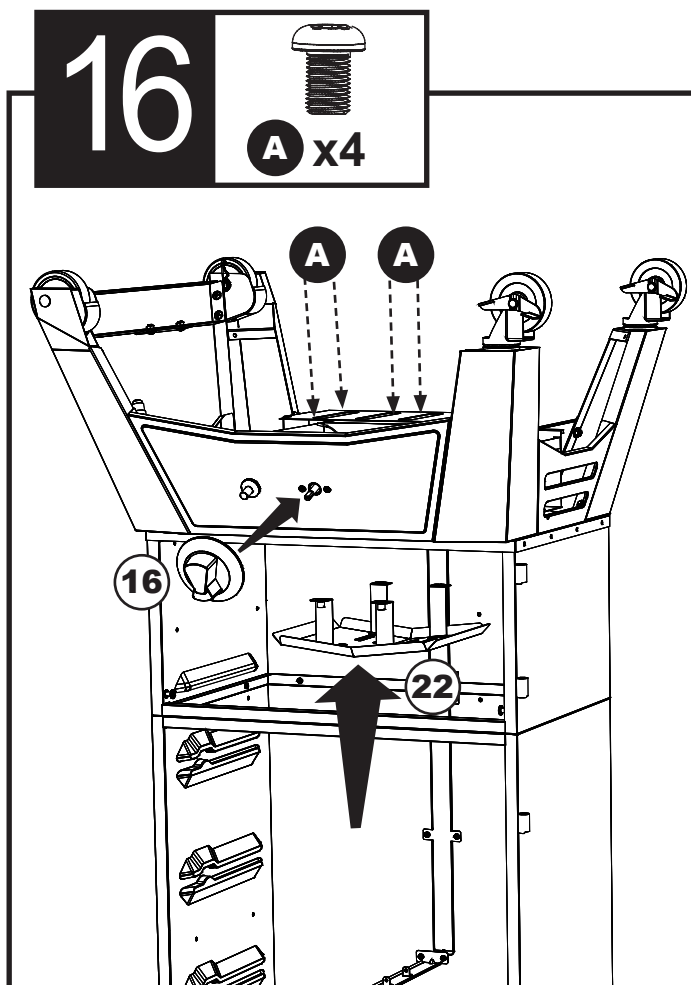
G
x2



16

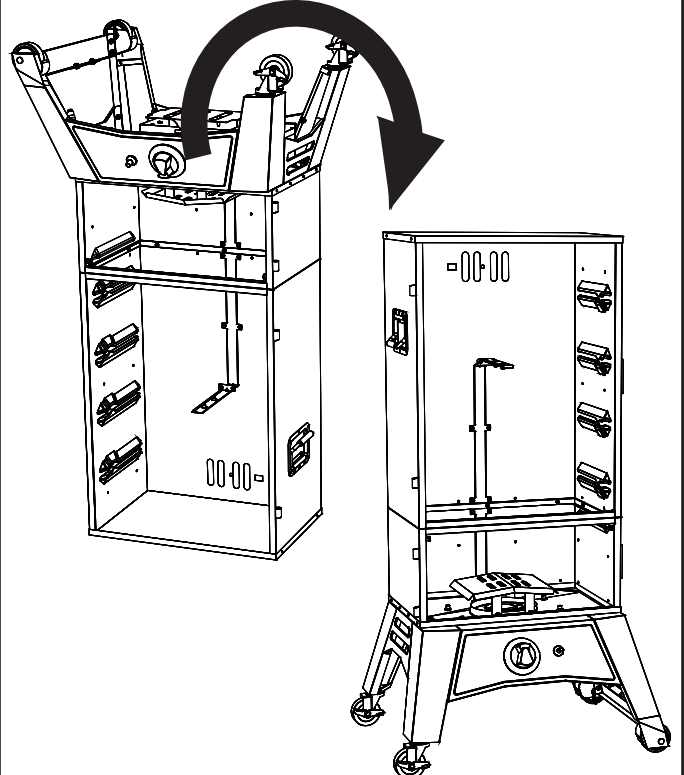


A
x4



17

Turn smoker over onto legs
Retournez le fumeur sur les jambes
Convierte al fumador en las piernas



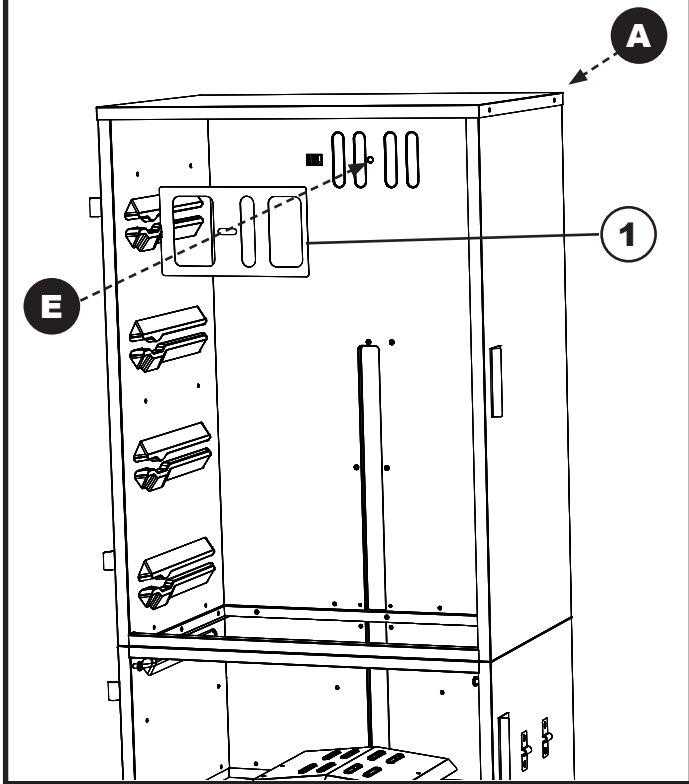
18



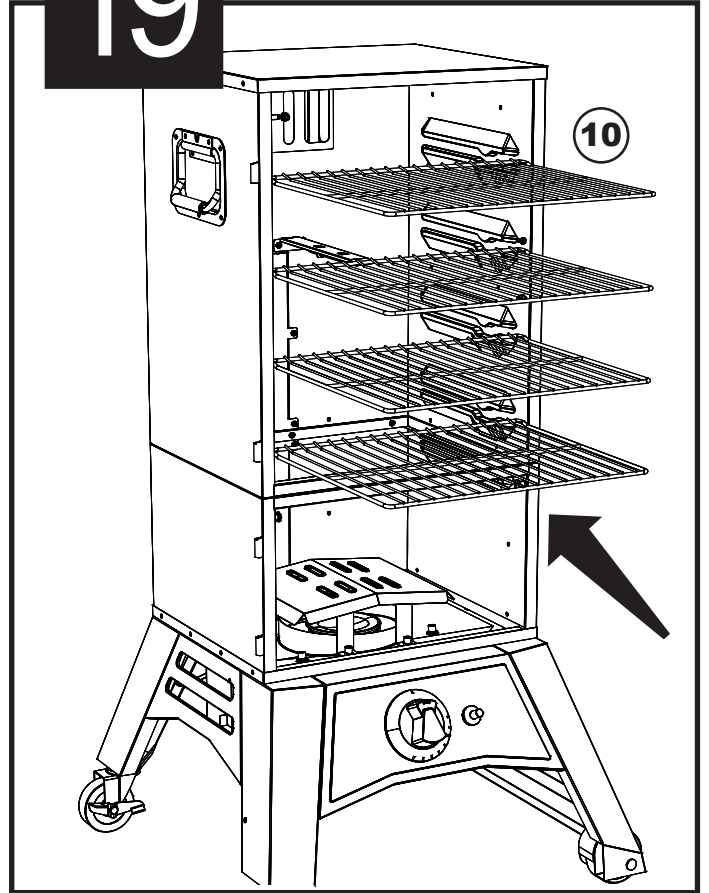
A x1



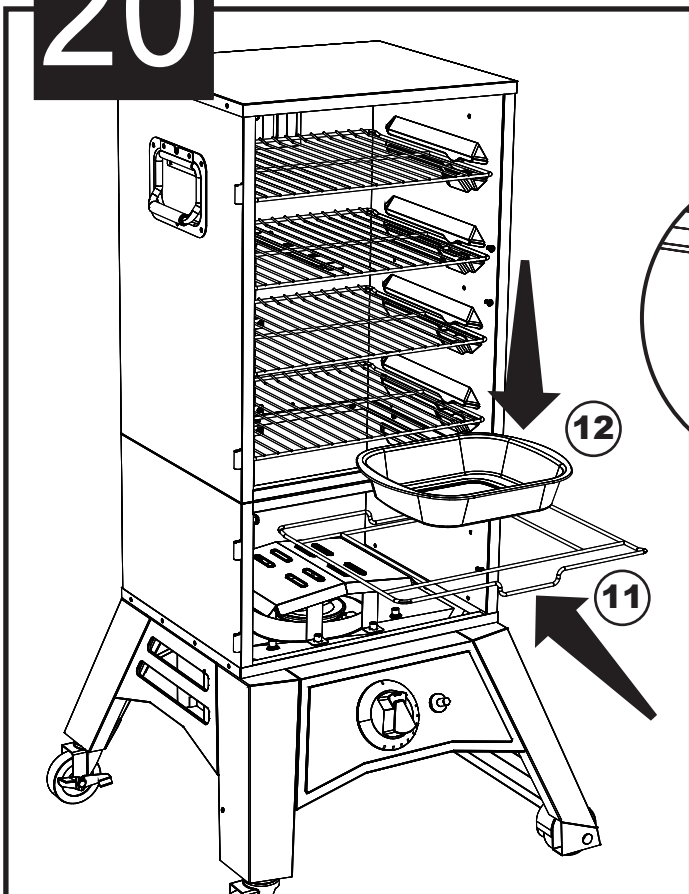
E x1



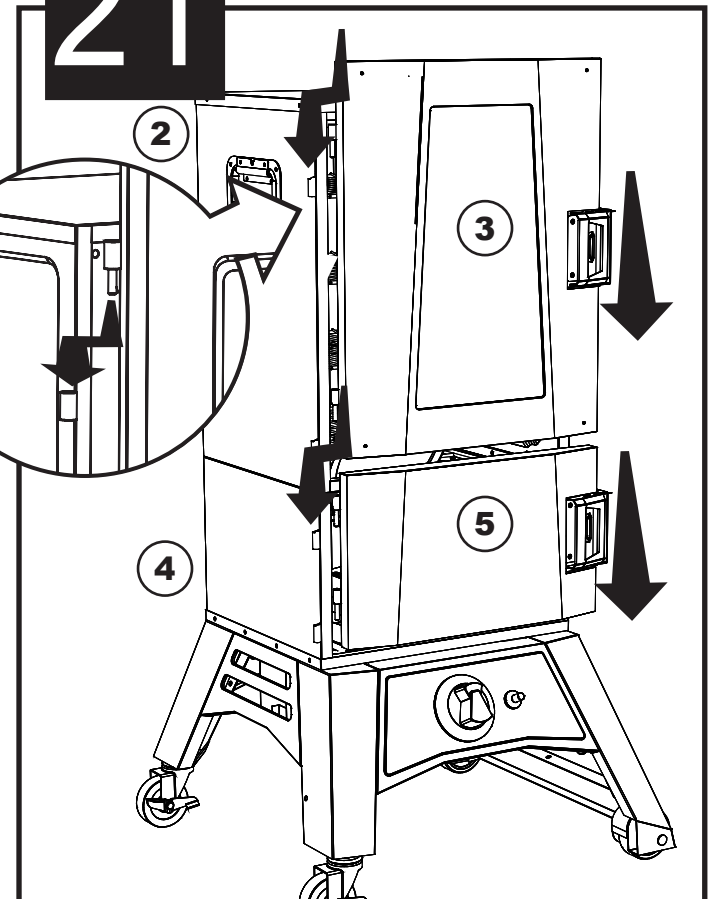
19



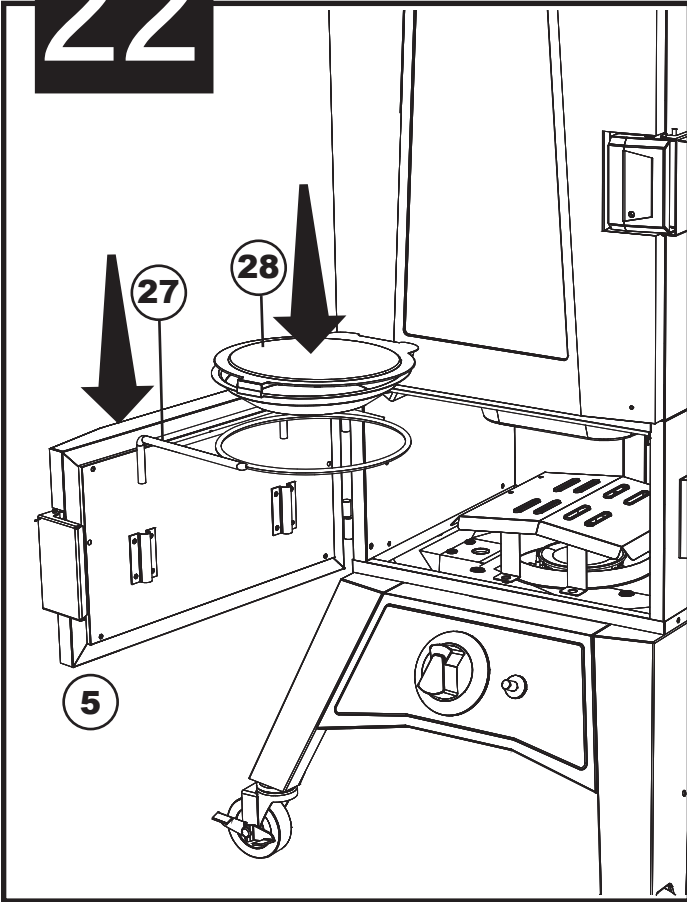
20



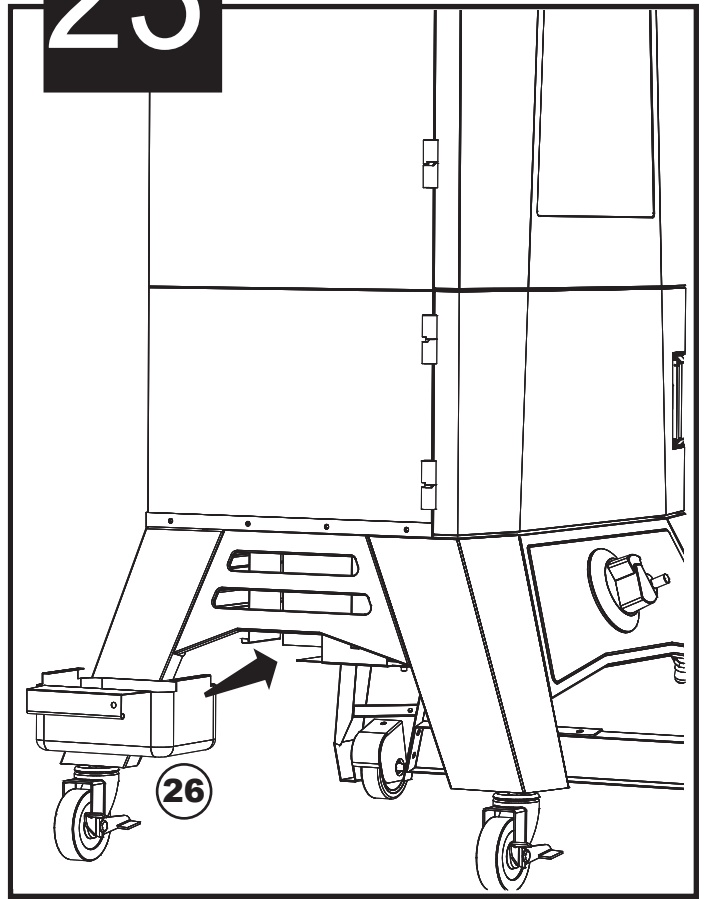
21



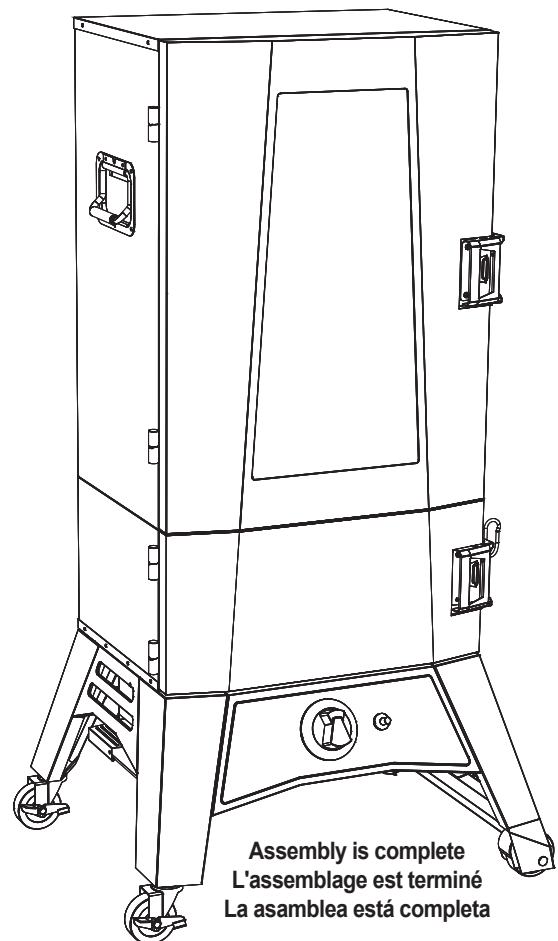
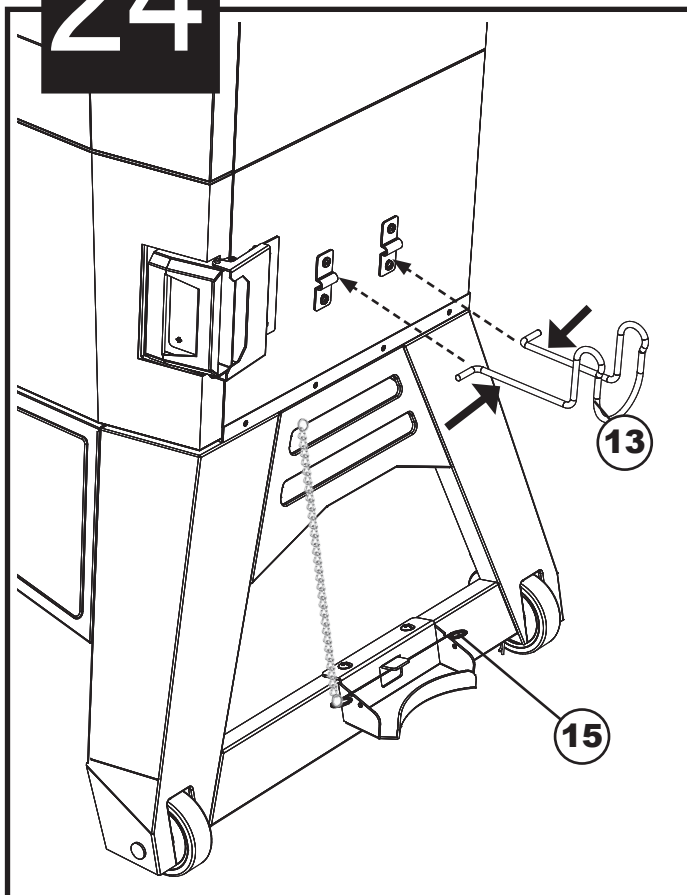
22



23



24



Assembly is complete
L'assemblage est terminé
La asamblea está completa

Masterbuilt 1-Year Limited Warranty

Masterbuilt warrants its products to be free from defects in material and workmanship under proper assembly, normal use and recommended care for 1 year from the date of original retail purchase. The Masterbuilt warranty does not cover paint finish as it may burn off during normal use. The Masterbuilt warranty does not cover rust. Masterbuilt requires proof of purchase for warranty claim, such as a receipt. Upon the expiration of such warranty, all such liability shall terminate.

Within the stated warranty period, Masterbuilt, at its discretion, shall replace defective components free of charge, with the owner being responsible for shipping. Should Masterbuilt require return of component(s) in question for inspection, Masterbuilt will be responsible for shipping charges to return requested item. This warranty excludes property damage sustained due to misuse, abuse, accident, or damage arising out of transportation.

This express warranty is the sole warranty given by Masterbuilt and is in lieu of all other warranties, expressed or implied including implied warranty, merchantability, or fitness for a particular purpose. Neither Masterbuilt nor the retail establishment selling this product has authority to make any warranties or to promise any remedies in addition to or inconsistent with those stated above. Masterbuilt's maximum liability, in any event, shall not exceed the purchase price of the product paid by the original consumer/ purchaser. Some states do not allow the exclusion or limitation of incidental or consequential damages. In such a case, the above limitations or exclusions may not be applicable.

California residents only: Notwithstanding this limitation of warranty, the following specific restrictions apply; if service, repair, or replacement of the product is not commercially practical, the retailer selling the product or Masterbuilt will refund the purchase price paid for the product, less the amount directly attributable to use by the original buyer prior to the discovery of the nonconformity. Owner may take the product to the retail establishment selling this product in order to obtain performance under warranty. This express warranty gives you specific legal rights, and you may also have other rights which vary from state to state.

Visit masterbuilt.com or complete form below and return to:
Attn: Warranty Registration
Masterbuilt Manufacturing, LLC
1 Masterbuilt Court | Columbus, GA 31907

Name: _____ Address: _____

City: _____

State/Province: _____ Postal Code: _____ Phone Number: _____

E-mail Address: _____

*Model Number: _____ *Serial Number: _____

Purchase Date: _____ - _____ - _____ Place of Purchase: _____

***Model Number and Serial Number are located on silver label on back of smoker.**

Garantie limitée de 1 an de Masterbuilt

Masterbuilt garantit que ses produits sont exempts de défauts de matériel et de fabrication pendant un an à partir de la date d'achat d'origine s'ils sont assemblés de la manière appropriée, utilisés normalement et entretenus de la façon recommandée. La garantie de Masterbuilt ne couvre pas la finition de peinture, car elle peut brûler au cours d'un usage normal. La garantie de Masterbuilt ne couvre pas la rouille. Masterbuilt exige une preuve d'achat lors de réclamations au titre de la garantie, par exemple un reçu. Cette responsabilité prend fin dès la date d'expiration de la garantie.

Durant la période de garantie déclarée, Masterbuilt, à sa discrétion, remplacera gratuitement tout composant défectueux, le propriétaire étant responsable des frais de transport. Advenant que Masterbuilt demande que le ou les composants lui soient retournés pour inspection, Masterbuilt assumera les frais de transport pour le retour du composant demandé. Cette garantie exclut les dommages matériels dus au mauvais usage, à l'usage abusif ou à un accident, ainsi que les dommages découlant du transport.

Cette garantie expresse tient lieu de garantie unique offerte par Masterbuilt et remplace toute autre garantie expresse ou implicite, y compris toute garantie implicite d'aptitude à la commercialisation ou d'adaptation à un usage particulier. Ni Masterbuilt ni le détaillant qui vend ce produit ne sont autorisés à fournir des garanties ou à promettre quoi que ce soit qui dépasse ou qui contredit ce qui est énoncé ci-dessus. La responsabilité maximale de Masterbuilt, dans tous les cas, ne peut dépasser le prix d'achat de l'article payé par le consommateur ou l'acheteur d'origine. Certains États et certaines provinces ne permettent pas l'exclusion ni la limitation de dommages accessoires ou consécutifs. Par conséquent, les exclusions ou limitations indiquées ci-dessus peuvent ne pas vous être applicables.

Résidents de la Californie uniquement : Nonobstant les limitations de cette garantie, les restrictions suivantes vous sont applicables; si réparer ou remplacer le produit en question ne s'avère pas rentable pour le revendeur, ce dernier ou Masterbuilt remboursera le prix payé d'achat du produit après dépréciation et après déduction d'une somme équivalente à la durée d'utilisation par l'acheteur initial avant la découverte du vice ou de la non-conformité. Le propriétaire peut rapporter le produit au détaillant qui le lui a vendu pour bénéficier des privilèges que lui accorde la présente garantie. Cette garantie expresse vous procure des droits juridiques spécifiques et vous pouvez également bénéficier d'autres droits en fonction de votre lieu de résidence.

Visitez masterbuilt.com ou remplissez le formulaire ci-dessous et retournez à:

**Attn: Warranty Registration
Masterbuilt Manufacturing, LLC
1 Masterbuilt Court | Columbus, GA 31907**

Nom : _____ Adresse : _____

Ville : _____

État/Province : _____ Code postal : _____ Numéro de téléphone : _____

Adresse de courriel : _____

*Numéro de modèle : _____ *Numéro de série : _____

Date de l'achat : _____ - _____ - _____ Lieu de l'achat : _____

***Les numéros de série et de modèle se trouvent sur l'étiquette argentée derrière l'appareil.**

Garantía limitada por 1 año de Masterbuilt

Masterbuilt garantiza que sus productos no presentan defectos de fabricación, ni de material ni de la mano de obra, si se los ensambla correctamente, se los utiliza de forma normal y se los cuida según las recomendaciones, durante un período de 1 año a partir de la fecha de compra original. La garantía de Masterbuilt no cubre el acabado de la pintura ya que puede salirse durante el uso normal. La garantía de Masterbuilt no cubre la oxidación. Masterbuilt requiere el comprobante de compra para hacer un reclamo de la garantía, como por ejemplo, un recibo. Después de la fecha de vencimiento de la garantía, finalizarán todas las responsabilidades.

Durante el período de vigencia establecido de la garantía, Masterbuilt, a su criterio, reemplazará los componentes defectuosos sin costo alguno, debiendo hacerse responsable el propietario de los gastos de envío. Si Masterbuilt requiere la devolución del o los componentes en cuestión para su inspección, Masterbuilt será responsable de todos los cargos de envío para devolver el artículo solicitado. Esta garantía excluye los daños ocasionados a la propiedad por el mal uso, abuso, los accidentes, o los daños causados por el transporte.

Esta garantía expresa es la única garantía entregada por Masterbuilt y reemplaza a todas las demás garantías, expresas o implícitas, incluidas las garantías implícitas de comercialización o idoneidad para cualquier fin en particular. Ni Masterbuilt ni el establecimiento minorista que ofrece este producto, tienen autoridad alguna para otorgar garantías o prometer otros recursos que sean adicionales o inconsistentes con los establecidos previamente. La responsabilidad máxima de Masterbuilt, en todos los casos, no superará el precio de compra del producto que el cliente o comprador original pagó. Algunos estados no permiten la exclusión o limitación de daños accidentales o resultantes. En dicho caso, no se aplicarán las exclusiones o limitaciones anteriores.

Solo para residentes de California: A pesar de esta limitación de garantía, se aplican las siguientes restricciones específicas; si el mantenimiento, la reparación o el reemplazo del producto no se puede realizar comercialmente, el establecimiento minorista que ofrece el producto o Masterbuilt devolverá el monto original de la compra del producto, menos el monto directamente atribuible al uso por parte del comprador original antes de informar su disconformidad. El propietario puede llevar el producto al establecimiento minorista que lo ofrece a fin de obtener la ejecución de cualquier obligación en virtud de esta garantía. Esta garantía expresa le otorga derechos legales específicos, y es posible que también tenga otros derechos que varían de un estado a otro.

Visite masterbuilt.com o complete el formulario a continuación y regrese a:

Attn: Warranty Registration
Masterbuilt Manufacturing, LLC
1 Masterbuilt Court | Columbus, GA 31907

Nombre: _____ Dirección: _____

Ciudad: _____

Estado/Provincia: _____ Código postal: _____ Número de teléfono: _____

Correo electrónico: _____

*Número de modelo: _____ *Número de serie: _____

Fecha de compra: ____ - ____ - ____ Lugar de compra: _____

**El número de modelo y el número de serie se encuentran en la etiqueta plateada en la parte posterior del ahumador.*



MASTERBUILT®

Rest assured, we're here to help.

Customer Service
Service à la clientèle
Servicio de atención al cliente

[masterbuilt.com/contact](https://www.masterbuilt.com/contact)

Masterbuilt Manufacturing, LLC
1 Masterbuilt Court | Columbus, GA | 31907

@masterbuilt



1.800.489.1581

www.masterbuilt.com

