

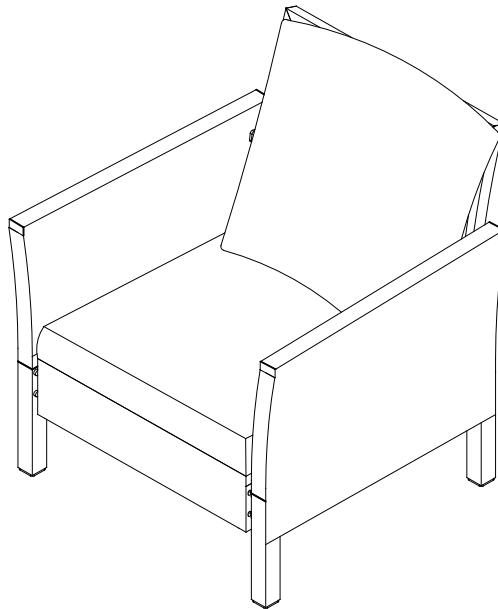


Item #1003 426 211

Model #GC-8781-ARP

USE AND CARE GUIDE

PALOMA LAKE LOUNGE CHAIR



Questions, problems, missing parts? Before returning to the store,

call Hampton Bay Customer Service

8 a.m. - 7 p.m., EST, Monday-Friday

9 a.m. - 6 p.m., EST, Saturday

1-855-HD-HAMPTON

HAMPTONBAY.COM

THANK YOU

We appreciate the trust and confidence you have placed in Hampton Bay through the purchase of this lounge chair. We strive to continually create quality products designed to enhance your home. Visit us online to see our full line of products available for your home improvement needs. Thank you for choosing Hampton Bay!

Table of Contents

Table of Contents.....	2	Assembly.....	5
Important Safety Instructions.....	2	Care and Cleaning.....	6
Warranty.....	2		
What is Covered.....	2		
What is Not Covered.....	2		
Pre-Assembly.....	3		
Planning Assembly.....	3		
Hardware Included.....	3		
Lounge Chair Package Contents.....	4		

Important Safety Instructions

SAVE THESE INSTRUCTIONS

READ ALL INSTRUCTIONS BEFORE USE

To reduce the risk of injury to persons:

1. Close supervision is necessary when this furnishing is used by or near children, or disabled persons, if applicable.
2. Use this furnishing only for its intended use as described in these instructions. Do not use attachments not recommended by the manufacturer.

Warranty

THIS IS A RESIDENTIAL WARRANTY ONLY AND THIS WARRANTY DOES NOT APPLY TO COMMERCIAL USE

5 YEAR FRAME LIMITED WARRANTY/2 YEAR RESIN WEAVE AND 3 YEAR FABRIC LIMITED WARRANTY

WHAT IS COVERED

We warrant the frame to be free of manufacturing defects to the original purchaser for 5 years and the resin weave for 2 years and fabric for 3 years.

WHAT IS NOT COVERED

It remains the customer's responsibility for freight and packaging charges to and from our service center.

This warranty does not cover commercial use, hardware, acts of nature, fire, freezing, and abusive use.

In addition, purchased parts are not covered under this warranty. We reserve the right to make substitutions with similar merchandise, if the model in question is no longer in production.

For a copy of our full limited warranty, please contact our customer service team below.

Contact the Customer Service Team at 1-855-HD-HAMPTON or visit www.hamptonbay.com.

Pre-Assembly

PLANNING ASSEMBLY

Please read this entire instruction manual prior to assembly.

Identify all parts packed in the carton against the parts list. Remove all protective materials and place the parts on a non-abrasive surface to avoid scratching.

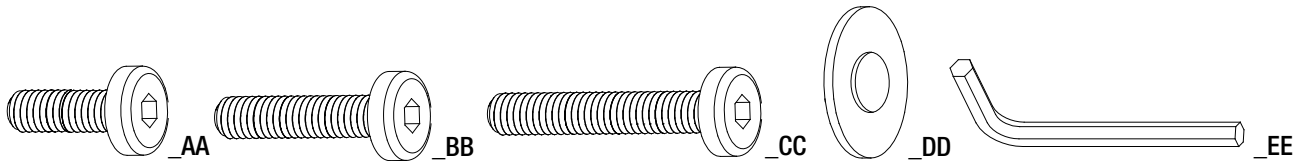


NOTE: More than one person may be required to complete the assembly of this product.

HARDWARE INCLUDED



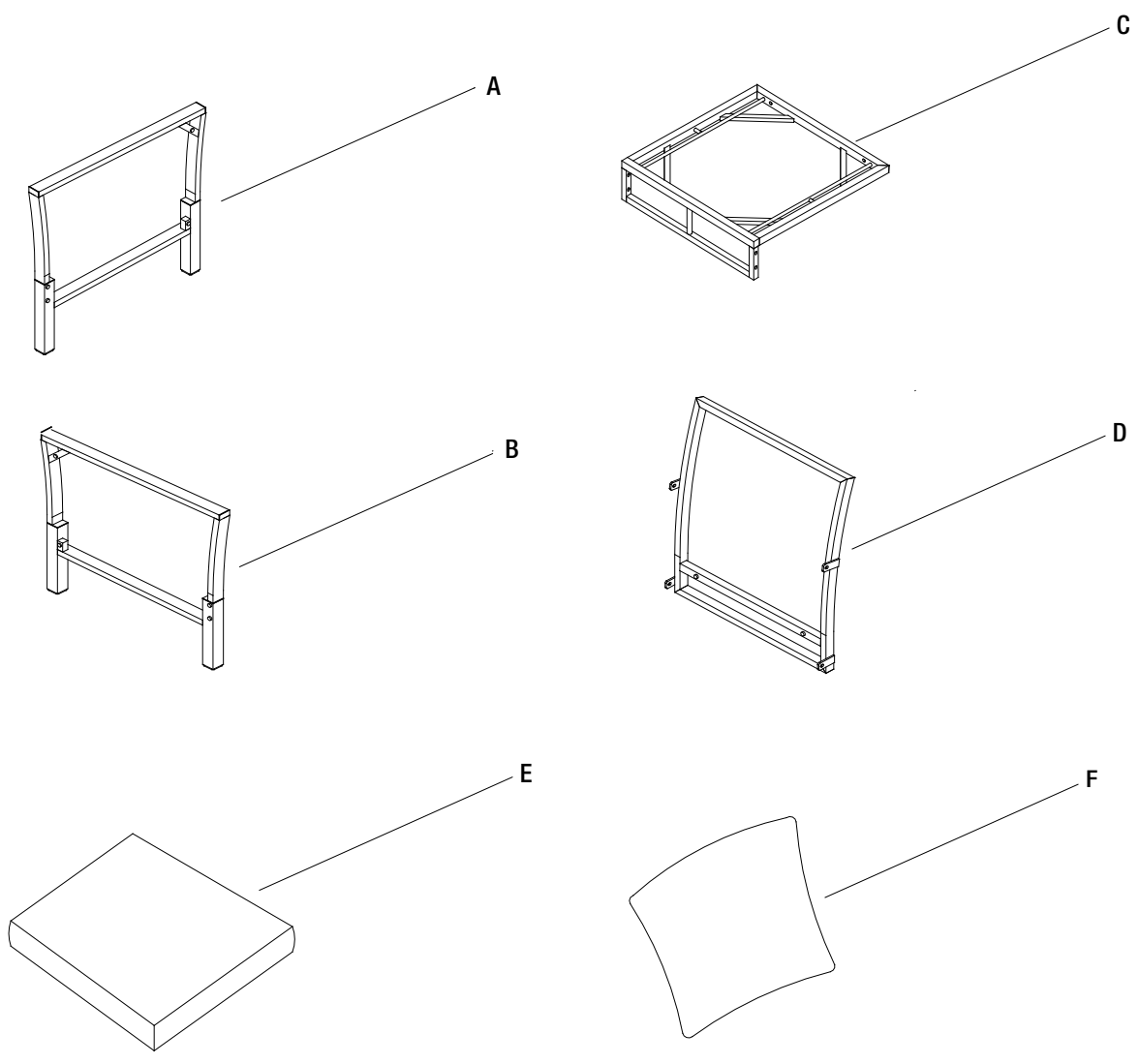
NOTE: Tools not shown to actual size.



Part	Description	Quantity
AA	M6*25 Hex Bolt	4
BB	M6*40 Hex Bolt	4
CC	M6*50 Hex Bolt	2
DD	Washer	10
EE	M6 Wrench	1

Pre-Assembly (continued)

PACKAGE CONTENTS



Part	Description	Quantity
A	Left Arm	1
B	Right Arm	1
C	Seat Panel	1
D	Back Panel	1
E	Seat Cushion	1
F	Back Cushion	1

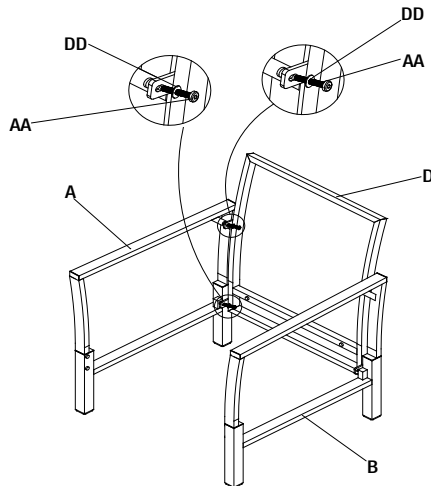
Assembly

1 Assembling the arm and back panel

- Place the left arm (A), right arm (B) and the back panel (D) on a soft, flat non-abrasive surface. Use the M6*25mm Hex bolts (AA) and washers (DD) to assemble.



NOTE: Don't tighten all the bolts in this step.

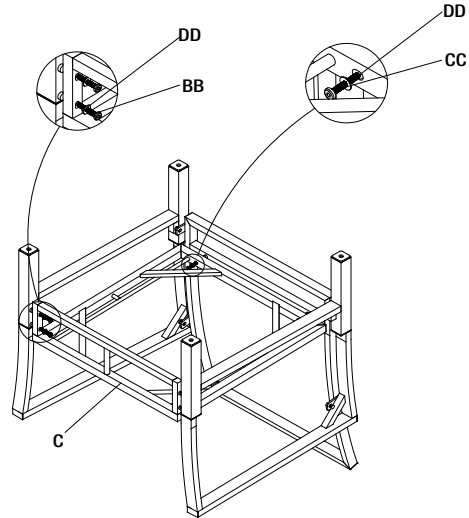


2 Assembling the seat panel

- Turn the frame upside down, attach the chair frame to front seat panel (C) using M6*40mm Hex bolts (BB) and washers (DD), then attach the chair frame to back seat panel (C) using M6*50mm Hex bolts (CC) and washers (DD).

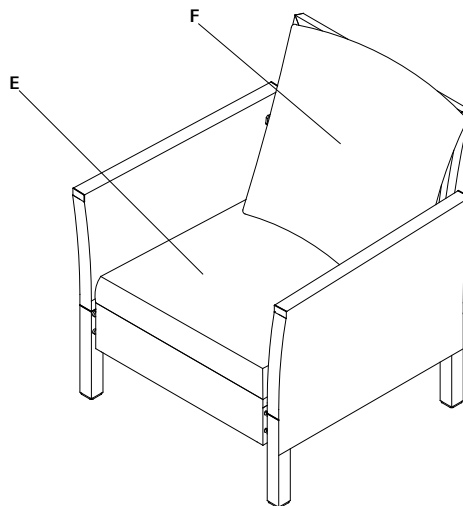


NOTE: Please ensure all the bolts are assembled correctly and use the M6 wrench (EE) to tighten.



3 Positioning the lounge chair and adding the cushions

- Turn the lounge chair over and set it down on the floor.
- Place the seat cushion (E) and back cushion (F) on the lounge chair.



Care and Cleaning

- Do not allow water to build up in the frames. This will cause corrosion and possible freezing damage in cold climates.
- Use a mild soap and water for normal cleaning. Do not use janitorial or alcohol based cleaners. Some cleaners may be marked as natural, but some ingredients may cause discoloration or have an adverse reaction to your finish.
- Rinse with clean water and dry with a soft, absorbent cloth towel.
- Treat the frames with a liquid wax for maximum protection against UV rays and/or salty, damp air.

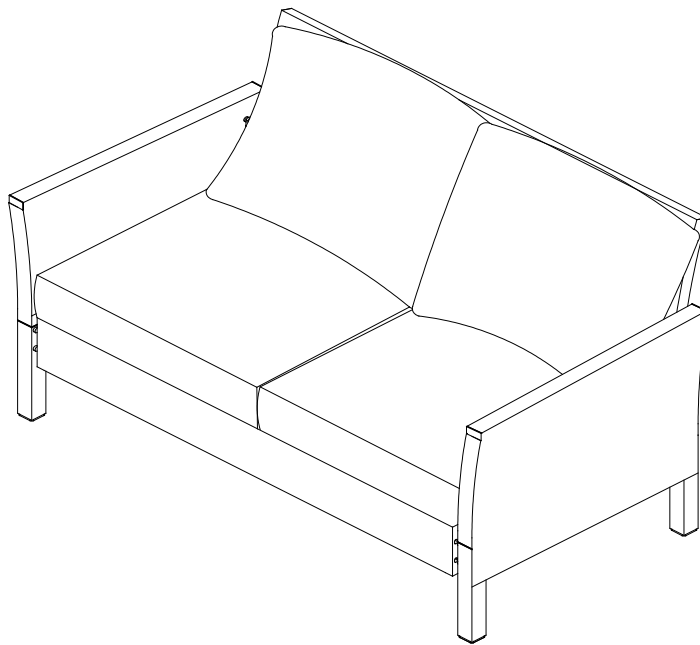


Item #1003 426 211

Model #GC-2038-ARP

USE AND CARE GUIDE

PALOMA LAKE LOVESEAT



Questions, problems, missing parts? Before returning to the store,

call Hampton Bay Customer Service

8 a.m. - 7 p.m., EST, Monday-Friday

9 a.m. - 6 p.m., EST, Saturday

1-855-HD-HAMPTON

HAMPTONBAY.COM

THANK YOU

We appreciate the trust and confidence you have placed in Hampton Bay through the purchase of this loveseat. We strive to continually create quality products designed to enhance your home. Visit us online to see our full line of products available for your home improvement needs. Thank you for choosing Hampton Bay!

Table of Contents

Table of Contents.....	2	Assembly.....	5
Important Safety Instructions.....	2	Care and Cleaning.....	6
Warranty.....	2		
What is Covered.....	2		
What is Not Covered.....	2		
Pre-Assembly.....	3		
Planning Assembly.....	3		
Hardware Included.....	3		
Loveseat Package Contents.....	4		

Important Safety Instructions

SAVE THESE INSTRUCTIONS

READ ALL INSTRUCTIONS BEFORE USE

To reduce the risk of injury to persons:

1. Close supervision is necessary when this furnishing is used by or near children, or disabled persons, if applicable.
2. Use this furnishing only for its intended use as described in these instructions. Do not use attachments not recommended by the manufacturer.

Warranty

THIS IS A RESIDENTIAL WARRANTY ONLY AND THIS WARRANTY DOES NOT APPLY TO COMMERCIAL USE

5 YEAR FRAME LIMITED WARRANTY/2 YEAR RESIN WEAVE AND 3 YEAR FABRIC LIMITED WARRANTY

WHAT IS COVERED

We warrant the frame to be free of manufacturing defects to the original purchaser for 5 years and the resin weave for 2 years and fabric for 3 years.

WHAT IS NOT COVERED

It remains the customer's responsibility for freight and packaging charges to and from our service center.

This warranty does not cover commercial use, hardware, acts of nature, fire, freezing, and abusive use.

In addition, purchased parts are not covered under this warranty. We reserve the right to make substitutions with similar merchandise, if the model in question is no longer in production.

For a copy of our full limited warranty, please contact our customer service team below.

Contact the Customer Service Team at 1-855-HD-HAMPTON or visit www.hamptonbay.com.

Pre-Assembly

PLANNING ASSEMBLY

Please read this entire instruction manual prior to assembly.

Identify all parts packed in the carton against the parts list. Remove all protective materials and place the parts on a non-abrasive surface to avoid scratching.

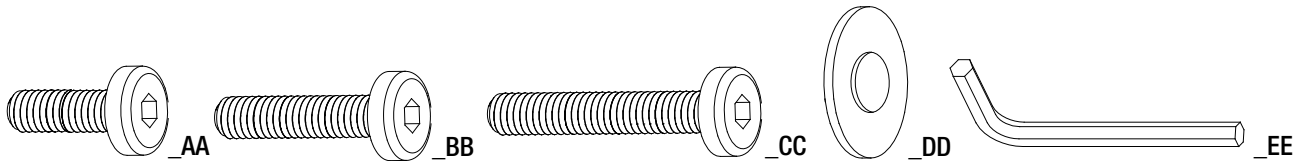


NOTE: More than one person may be required to complete the assembly of this product.

HARDWARE INCLUDED



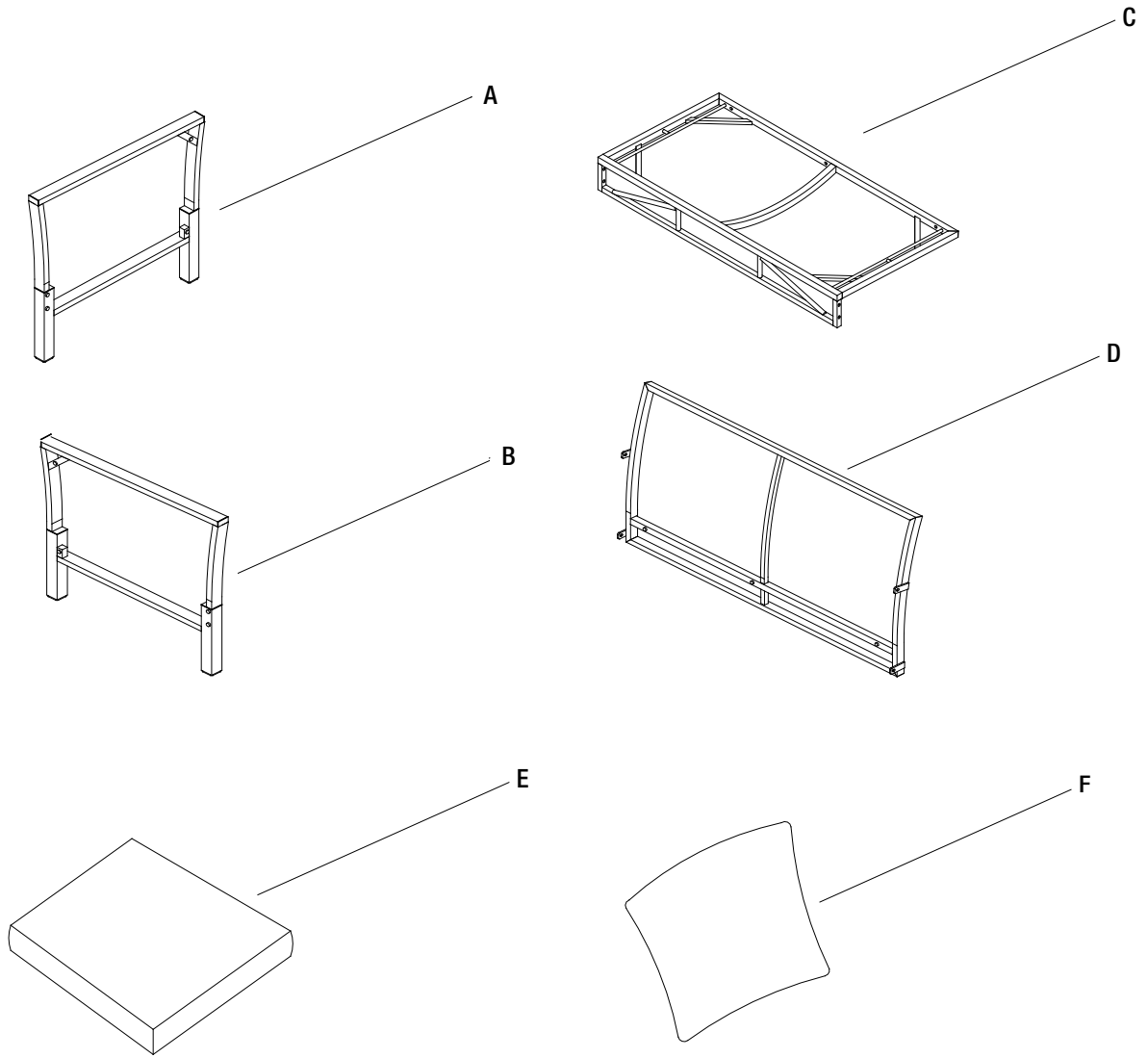
NOTE: Tools not shown to actual size.



Part	Description	Quantity
AA	M6*25 Hex Bolt	4
BB	M6*40 Hex Bolt	4
CC	M6*50 Hex Bolt	3
DD	Washer	11
EE	M6 Wrench	1

Pre-Assembly (continued)

PACKAGE CONTENTS



Part	Description	Quantity
A	Left Arm	1
B	Right Arm	1
C	Seat Panel	1
D	Back Panel	1
E	Seat Cushion	2
F	Back Cushion	2

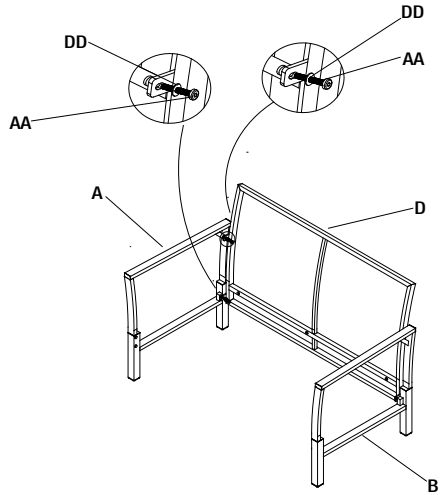
Assembly

1 Assembling the arm and back panel

- Place the left arm (A), right arm (B) and the back panel (D) on a soft, flat non-abrasive surface. Use the M6*25mm Hex bolts (AA) and washers (DD) to assemble.



NOTE: Don't tighten all the bolts in this step.

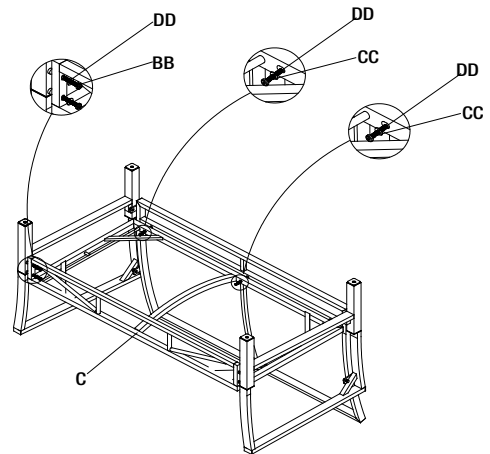


2 Assembling the seat panel

- Turn the frame upside down, attach the chair frame to front seat panel (C) using M6*40mm Hex bolts (BB) and washers (DD), then attach the chair frame to back seat panel (C) using M6*50mm Hex bolts (CC) and washers (DD).

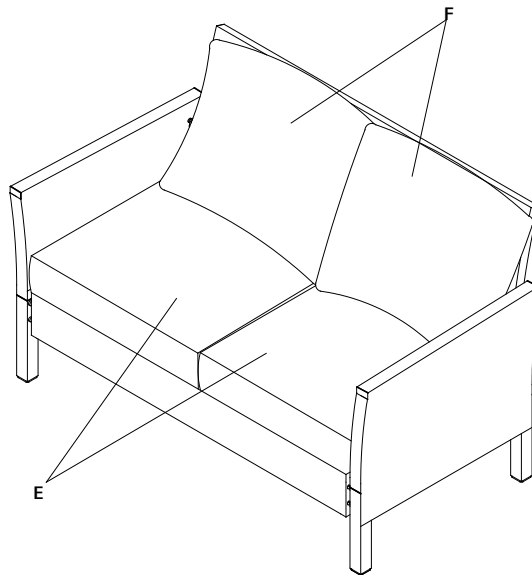


NOTE: Please ensure all the bolts are assembled correctly and use the M6 wrench (EE) to tighten.



3 Positioning the loveseat and adding the cushions

- Turn the loveseat over and set it down on the floor.
- Place the seat cushions (E) and back cushions (F) on the loveseat.



Care and Cleaning

- Do not allow water to build up in the frames. This will cause corrosion and possible freezing damage in cold climates.
- Use a mild soap and water for normal cleaning. Do not use janitorial or alcohol based cleaners. Some cleaners may be marked as natural, but some ingredients may cause discoloration or have an adverse reaction to your finish.
- Rinse with clean water and dry with a soft, absorbent cloth towel.
- Treat the frames with a liquid wax for maximum protection against UV rays and/or salty, damp air.

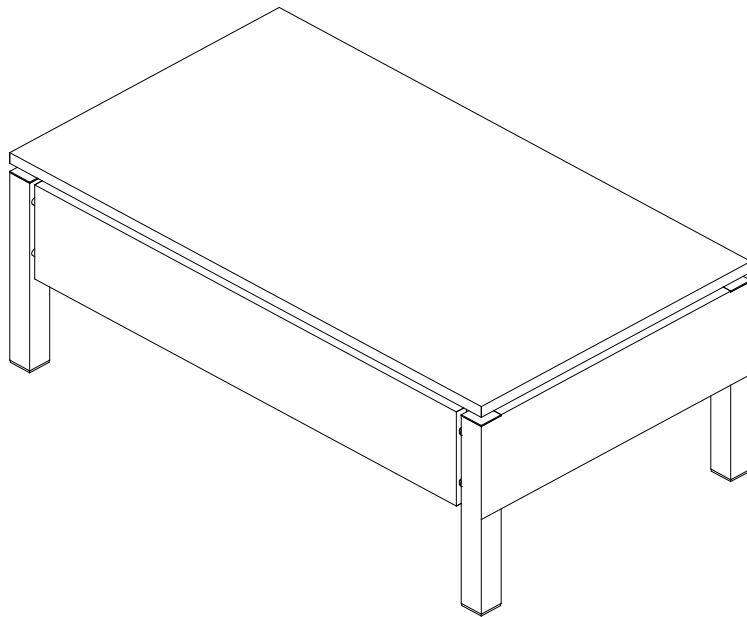


Item #1003 426 211

Model #GT-6757-AAR

USE AND CARE GUIDE

PALOMA LAKE TRUNK COFFEE TABLE



Questions, problems, missing parts? Before returning to the store,
call Hampton Bay Customer Service

8 a.m. - 7 p.m., EST, Monday-Friday

9 a.m. - 6 p.m., EST, Saturday

1-855-HD-HAMPTON

HAMPTONBAY.COM

THANK YOU

We appreciate the trust and confidence you have placed in Hampton Bay through the purchase of this trunk coffee table. We strive to continually create quality products designed to enhance your home. Visit us online to see our full line of products available for your home improvement needs. Thank you for choosing Hampton Bay!

Table of Contents

Table of Contents.....	2	Pre-Assembly	3
Important Safety Instructions.....	2	Planning Assembly	3
Warranty.....	2	Hardware Included	3
What is Covered.....	2	Table Package Contents	4
What is Not Covered	2	Assembly	5
		Care and Cleaning	6

Important Safety Instructions

SAVE THESE INSTRUCTIONS

READ ALL INSTRUCTIONS BEFORE USE

To reduce the risk of injury to persons:

1. Close supervision is necessary when this furnishing is used by or near children, or disabled persons, if applicable.
2. Use this furnishing only for its intended use as described in these instructions. Do not use attachments not recommended by the manufacturer.

Warranty

THIS IS A RESIDENTIAL WARRANTY ONLY AND THIS WARRANTY DOES NOT APPLY TO COMMERCIAL USE

5 YEAR FRAME LIMITED WARRANTY/2 YEAR RESIN WEAVE LIMITED WARRANTY

WHAT IS COVERED

We warrant the frame to be free of manufacturing defects to the original purchaser for 5 years and the resin weave for 2 years.

WHAT IS NOT COVERED

It remains the customer's responsibility for freight and packaging charges to and from our service center. This warranty does not cover commercial use, hardware, acts of nature, fire, freezing, and abusive use. In addition, purchased parts are not covered under this warranty. We reserve the right to make substitutions with similar merchandise, if the model in question is no longer in production.

For a copy of our full limited warranty, please contact our customer service team below.

Contact the Customer Service Team at 1-855-HD-HAMPTON or visit www.hamptonbay.com.

Pre-Assembly

PLANNING ASSEMBLY

Please read this entire instruction manual prior to assembly. Identify all parts packed in the carton against the parts list. Remove all protective materials and place the parts on a non-abrasive surface to avoid scratching.

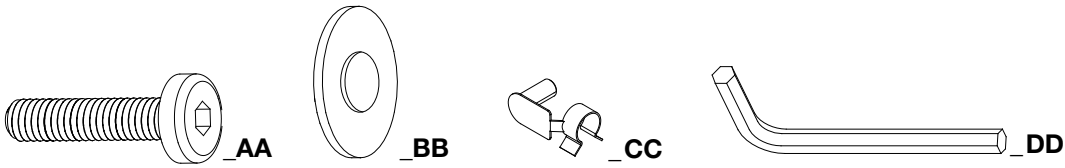


NOTE: More than one person may be required to complete the assembly of this product.

HARDWARE INCLUDED



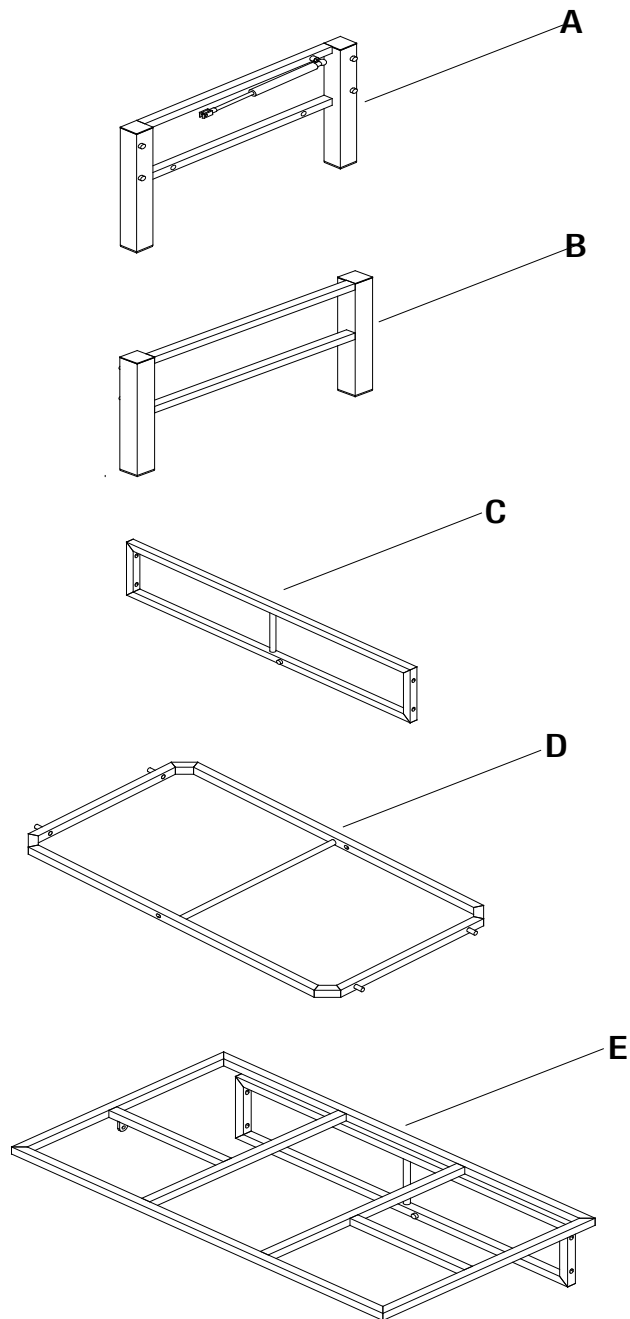
NOTE: Tools not shown to actual size.



Part	Description	Quantity
AA	M6*40 Hex Bolt	10
BB	Washer	10
CC	Locker	1
DD	M6 Wrench	1

Pre-Assembly (continued)

TABLE PACKAGE CONTENTS



Part	Description	Quantity
A	Left Feet With Air Cylinder	1
B	Right Feet	1
C	Front Panel	1
D	Bottom Shelf	1
E	Table Top Connect With Back Panel	1

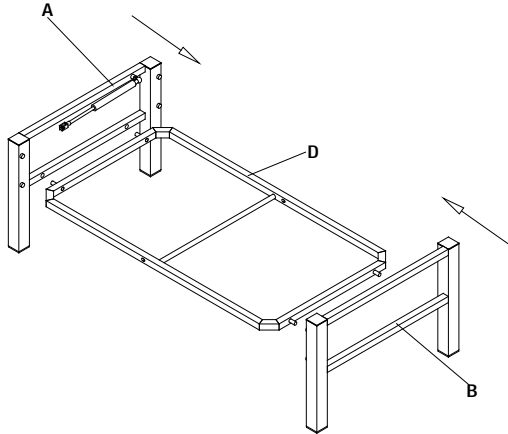
Assembly

1 Connecting the table legs

- Insert the bottom shelf (D) to the table legs (A) and (B).



NOTE: Do not use bolts. Bolts are not needed in this step.

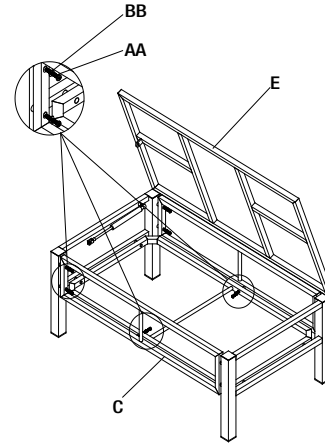


2 Attaching the table top and front panel

- Attach the table top connect with back panel (E) and front panel (C) to the table legs (A) and (B) using the M6*40 mm Hex bolts (AA) and washers (BB). Then attach the bottom shelf (D) to front panel (C) and back panel (E) using the M6*40 mm Hex bolts (AA) and washers (BB).



NOTE: Please ensure all the bolts are assembled correctly and use the M6 wrench (DD) to tighten.

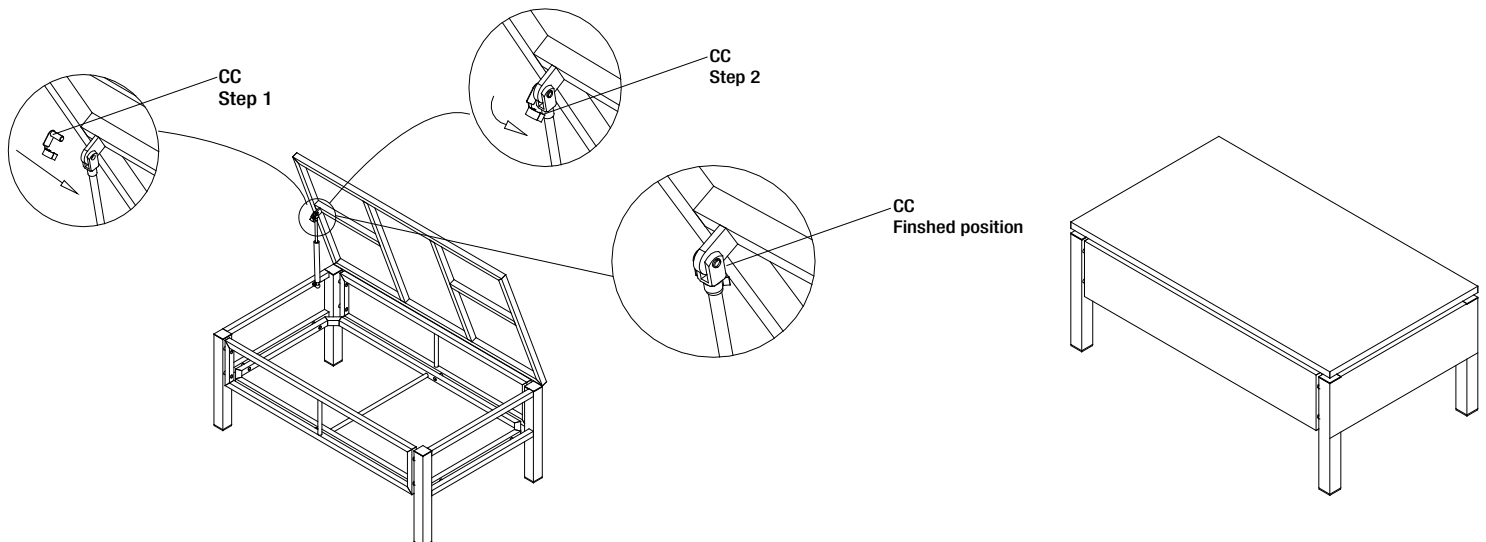


3 Attaching and locking the air cylinder

- Use the locker (CC) to lock the air cylinder.
- Now the trunk coffee table is ready to use.



NOTE: Watch your hand when you close the trunk coffee table.



Care and Cleaning

- Do not allow water to build up in the frames. This will cause corrosion and possible freezing damage in cold climates.
- Use a mild soap and water for normal cleaning. Do not use janitorial or alcohol-based cleaners. Some cleaners may be marked as natural, but some ingredients may cause discoloration or have an adverse reaction to your finish.
- Rinse with clean water and dry with a soft, absorbent cloth towel.
- Treat frames with a liquid wax for maximum protection against UV rays and/or salty, damp air.



Questions, problems, missing parts? Before returning to the store,
call Hampton Bay Customer Service
8 a.m. - 7 p.m., EST, Monday-Friday
9 a.m. - 6 p.m., EST, Saturday

1-855-HD-HAMPTON

HAMPTONBAY.COM

Retain this manual for future use.