

# SUMMERLIN

METRO COLLECTION



## AVAILABLE SIZES

57.31.22

## WATER CAPACITY

75 Gallons

## WEIGHT

350 Pounds

## BACK SLOPE

15°

## MATERIAL

Hydroluxe Solid Surface

## STANDARD COLORS

White, Biscuit, Bone

## PREMIUM COLORS

Red, Black, Graphite

## FINISH

Matte, Polished, Two-Tone

## WARRANTY

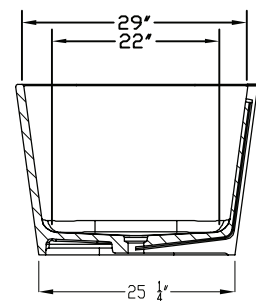
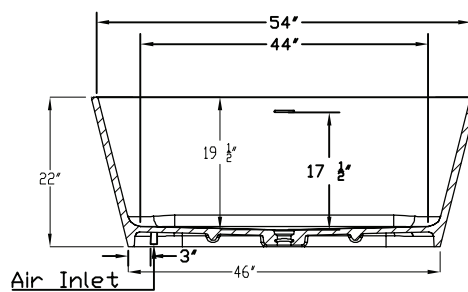
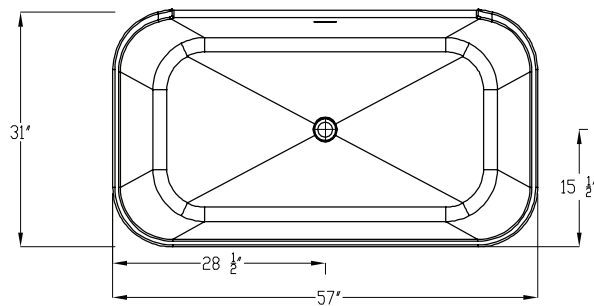
10 years

## OPTIONS

- Air System
  - Blower and Control Panel must be remotely located
  - Electrical Requirements  
1 20 AMP dedicated GFI



## • Tower



## • Integral Overflow (standard)



## CODES AND COMPLIANCES

Massachusetts code File no: P1-0614-491

