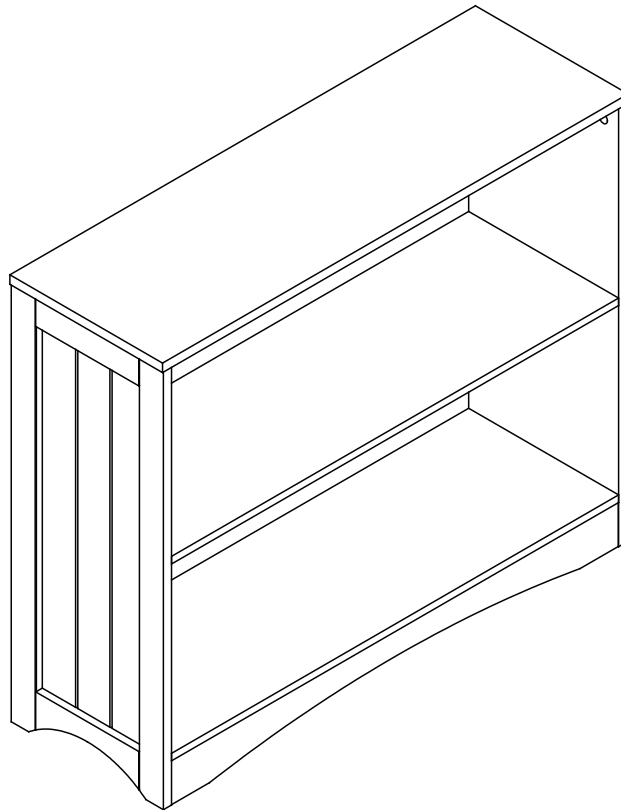




ASSEMBLY INSTRUCTIONS



RiverRidge® Horizontal Bookcase

ITEM #: 02-022 White

ITEM #: 02-028 Espresso

ITEM #: 02-148 Gray

ADULT ASSEMBLY REQUIRED

This product requires assembly by an adult because of small parts. Care should be taken in unpacking and assembling this item to keep small parts away from children. During assembly children should be kept away from the product due to possible risk of injury.

WARNING SEE FULL WARNING ON PAGE 2

Young children can be seriously injured or killed if furniture tips over.
Don't use this item for a TV stand or place heavy objects on top of item.
Always use angle-braces or anchors to secure furniture to the wall.

This product is suitable for children 3 years and older.

THIS SHELF UNIT WILL HOLD UP TO 25 POUNDS PER SHELF OR A TOTAL OF 75 POUNDS. DO NOT LOAD EACH SHELF WITH MORE THAN 25 POUNDS OR 75 POUNDS TOTAL WEIGHT. IF OVERLOADED WITH MORE THAN 25 POUNDS PER SHELF OR 75 POUNDS TOTAL WEIGHT, SHELF MAY TIP FROM THE WALL AND CAUSE SERIOUS INJURY OR DEATH.

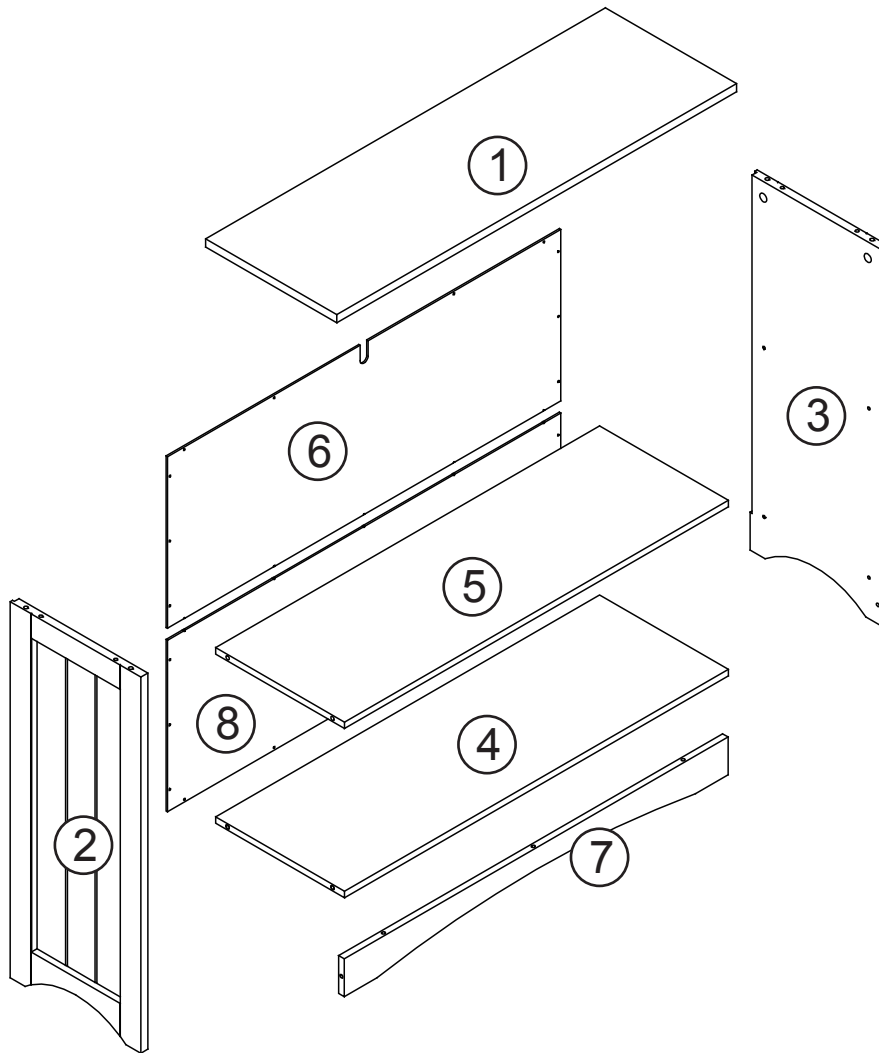


WARNING

SERIOUS OR FATAL INJURIES CAN OCCUR FROM FURNITURE TIP-OVER. TO HELP PREVENT TIP-OVER:


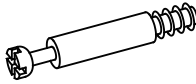



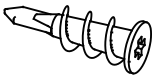
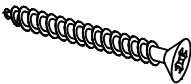

- **Always use tip over restraints and/or wall anchors to secure furniture to the wall**
- **Place heaviest items in the lowest drawers/bins or shelves**
- **Do not set TV's or other heavy objects on the top of this product**
- **Never allow children to climb or hang on to the drawers/bins, doors or shelves of furniture**
- **Never open more than one drawer at a time or defeat or remove any drawer interlock system**

PARTS LIST



NO	QTY	DESCRIPTION
1	1PC	Top Board
2	1PC	Left Side Panel
3	1PC	Right Side Panel
4	1PC	Bottom Board
5	1PC	Shelf
6	1PC	Upper Back Panel
7	1PC	Bottom Trim
8	1PC	Lower Back Panel

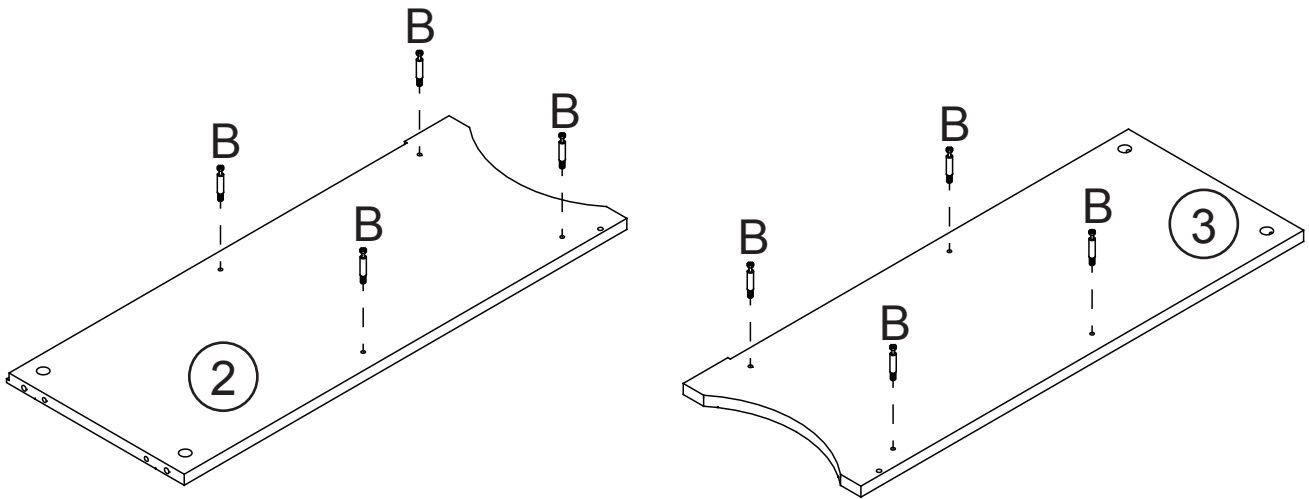
PARTS LIST

NO	PARTS	QTY	DESCRIPTION
A		9PCS	Wood Dowel
B		12PCS	Cam Bolt
C		12PCS	Cam Lock
D		26PCS	Screw (2.5x14mm)
F		1PC	Adjustable Anchor Bracket
G		1PC	Plastic Anchor
H		1PC	Screw (4x30mm)
J		1PC	Screw (4x10mm)

**TOOLS NEEDED FOR ASSEMBLY: FLAT & PHILLIPS SCREWDRIVER(NOT INCLUDED)
THE USE OF A POWER SCREWDRIVER IS NOT RECOMMENDED FOR ASSEMBLY
DO NOT USE ITEM IF ANY PARTS ARE MISSING OR DAMAGED**

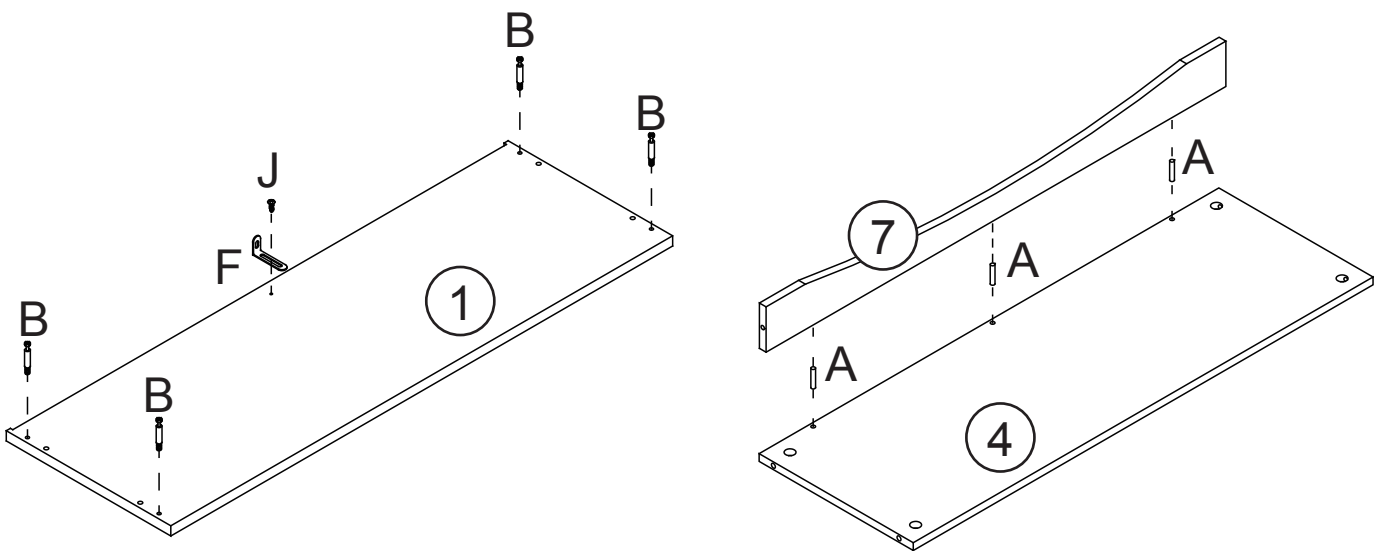
To order replacement parts at no cost to you, email customer.service@ssi-rr.com, call 1-(844)-223-5201 or order parts online at www.riverridgehome.com. Only valid in the United States. If purchased outside of the United States, please contact retailer where purchased.

STEP 1



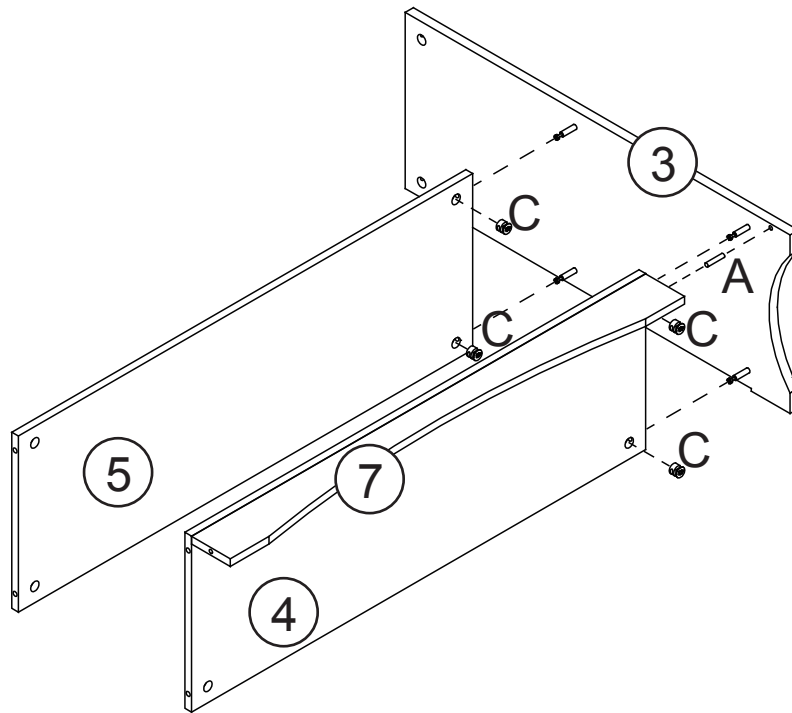
1. Screw 4 cam bolts (B) into cam bolt holes on left side panel (2) and tighten.
2. Screw 4 cam bolts (B) into cam bolt holes on right side panel (3) and tighten.

STEP 2



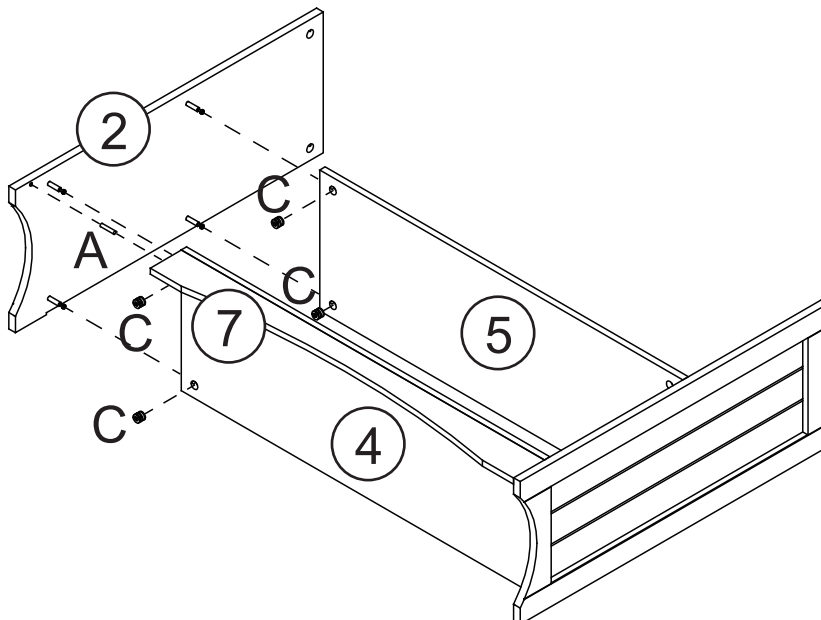
1. Insert 1 screw (J) through hole on adjustable anchor bracket (F), then tighten to top board (1).
2. Screw 4 cam bolts (B) into cam bolt holes on top board (1) and tighten.
3. Insert 3 wood dowels (A) into bottom board (4).
4. Attach bottom trim (7) to bottom board (4) by inserting dowels into dowel holes on bottom trim (7).

STEP 3



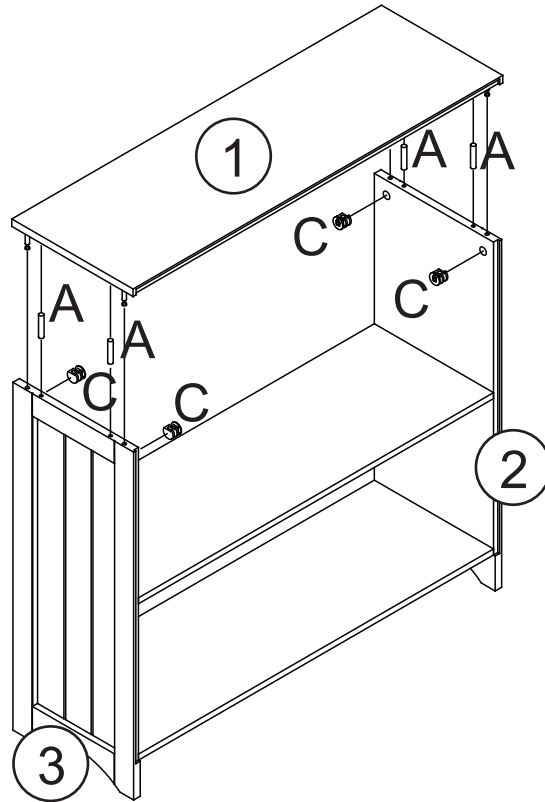
1. Insert 1 wood dowel (A) into dowel hole on bottom of right side panel (3).
2. Attach shelf (5) to right side panel (3) by inserting 2 cam bolts into cam lock holes on shelf (5).
3. Insert 2 cam locks (C) into cam lock holes on shelf (5) and rotate clockwise to secure cam bolts.
4. Attach bottom board (4) to right side panel (3) by inserting 2 cam bolts into cam lock holes on bottom board (4) and inserting wood dowel into dowel on end of bottom trim (7).
5. Insert 2 cam locks (C) into cam lock holes on bottom board (4) and rotate clockwise to secure cam bolts.

STEP 4



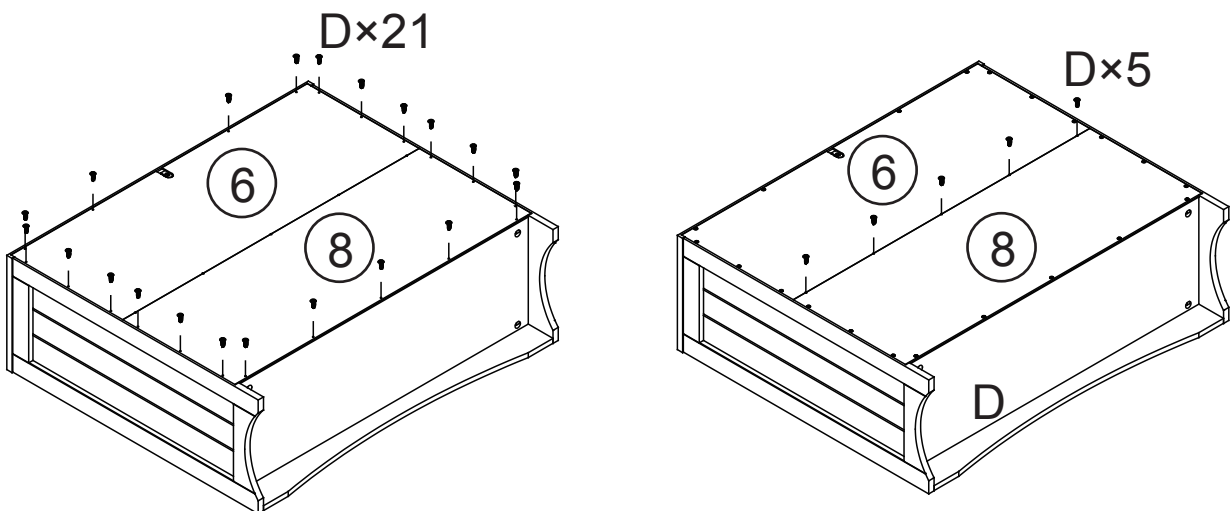
1. Insert 1 wood dowel (A) into dowel hole on bottom of left side panel (2).
2. Attach left side panel (2) to pre-assembled bookcase by inserting cam bolts (B) into cam lock holes on shelf (5) and bottom board (4) and inserting wood dowel into bottom trim (7).
3. Insert 2 cam locks (C) into cam lock holes on shelf (5) and rotate clockwise to secure cam bolts.
4. Insert 2 cam locks (C) into cam lock holes on bottom board (4) and rotate clockwise to secure cam bolts.

STEP 5



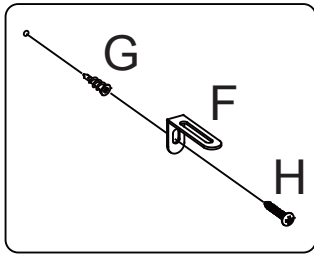
1. Place pre-assembled bookcase up right and insert 4 wood dowels (A) into dowel holes on top of left side panel (2) and right side panel (3).
2. Attach top board (1) to bookcase by inserting cam bolts (B) into cam lock holes on both side panel (2), (3) and inserting wood dowels (A) into top board (1).
3. Insert 2 cam locks (C) into cam lock holes on right side panel (3) and rotate clockwise to secure cam bolts.
4. Insert 2 cam locks (C) into cam lock holes on left side panel (2) and rotate clockwise to secure cam bolts.

STEP 6

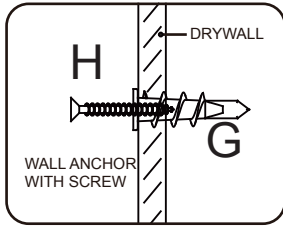


1. Attach back panels (6), (8) to back of bookcase, insert 26 screws (D) through holes and tighten to back of bookcase.

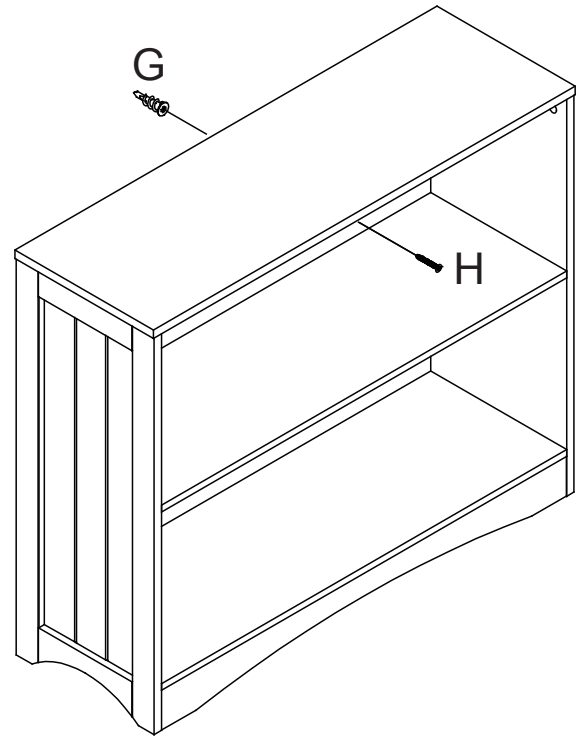
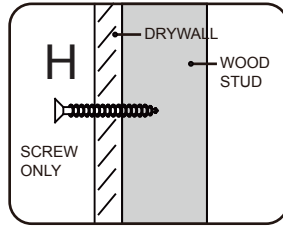
STEP 7



OPTION #1



OPTION #2



Option #1: Securing to Drywall

1. Position cabinet against wall in desired location. Using a pencil, make a small mark on wall through hole on bracket (F). Move cabinet away from wall and screw 1 plastic anchor (G) into wall on pencil mark.
2. Place cabinet against wall, insert 1 screw (H) through hole on bracket (F), then tighten to plastic anchor (G).

Option #2: Securing to Drywall and Wood Stud

1. Position cabinet against wall in desired location. Insert 1 screw (H) through hole on bracket (F), then tighten through drywall and into wood stud.

*Tip: Anchor bracket (F) can be adjusted to correct distance from wall to cabinet as needed. Once adjusted, be sure to re-tighten bracket inside cabinet for stability.

ATTENTION ADULTS: Cabinet should be checked periodically for damage or loose screws/parts. Take appropriate action necessary to correct hazards such as tightening of screws and taking any damaged parts away from children.

WARNING  **Please make sure your item is secured to the wall, per assembly instructions.**

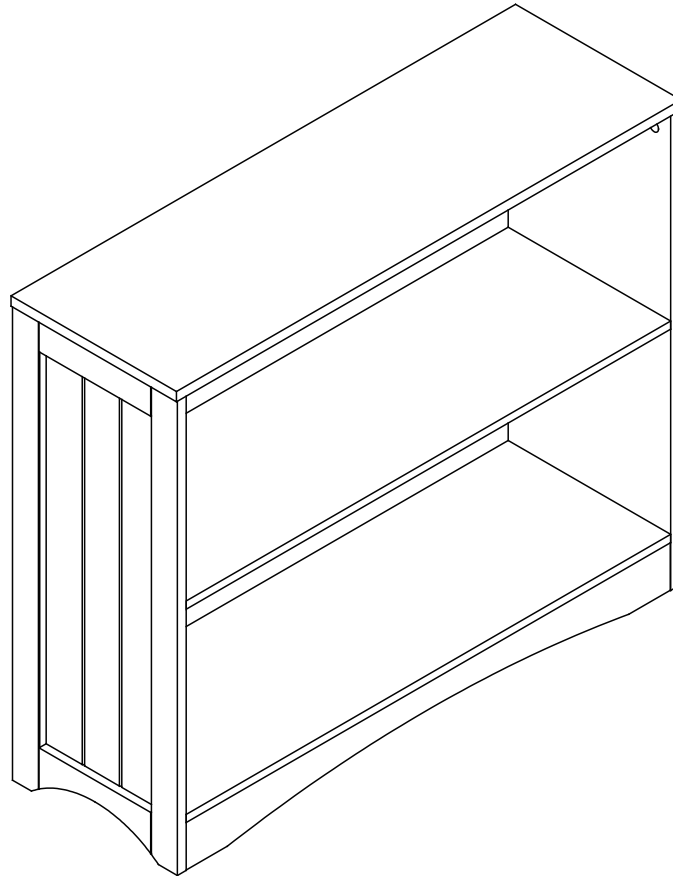
CARE INSTRUCTIONS:

Wipe clean with a water dampened cloth. Wipe dry with clean cloth.

IMPORTANT:

Keep assembly instructions for future reference.

Enjoy your new RiverRidge® Cabinet!



Thank you for purchasing this RiverRidge® Home item. We hope you enjoy it and consider purchasing other RiverRidge® items.

To order replacement parts at no cost to you, email customer.service@ssi-rr.com, call 1-(844)-223-5201 or order parts online at www.riverridgehome.com. Only valid in the United States. If purchased outside of the United States, please contact retailer where purchased.



RiverRidge® is a registered trademark of Sourcing Solutions, Inc., Hudson, WI 54016