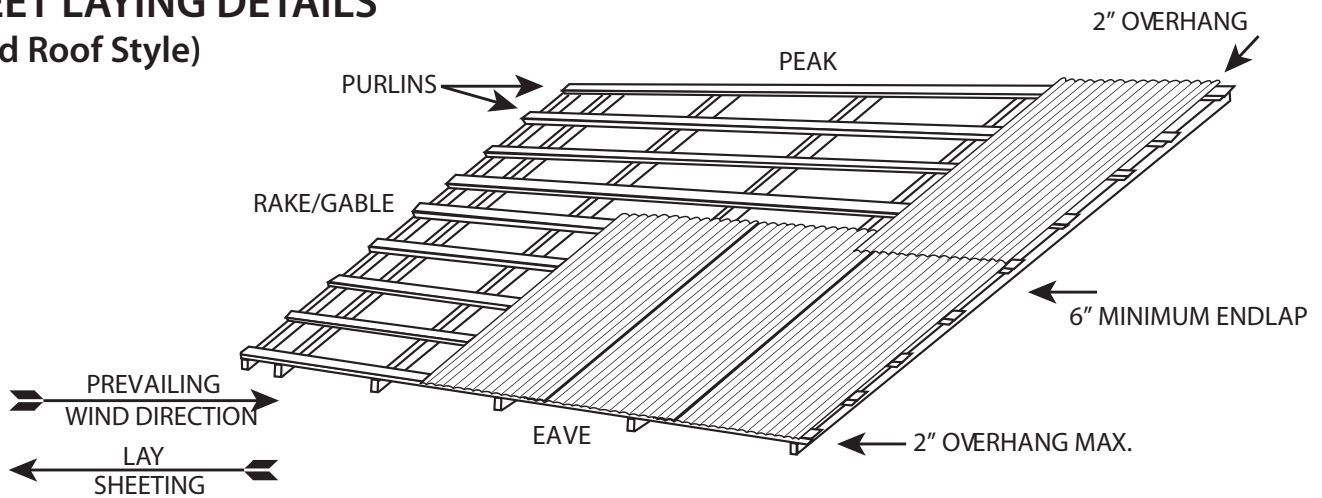


# METAL ROOFING INSTALLATION INSTRUCTIONS

## SHEET LAYING DETAILS (Shed Roof Style)



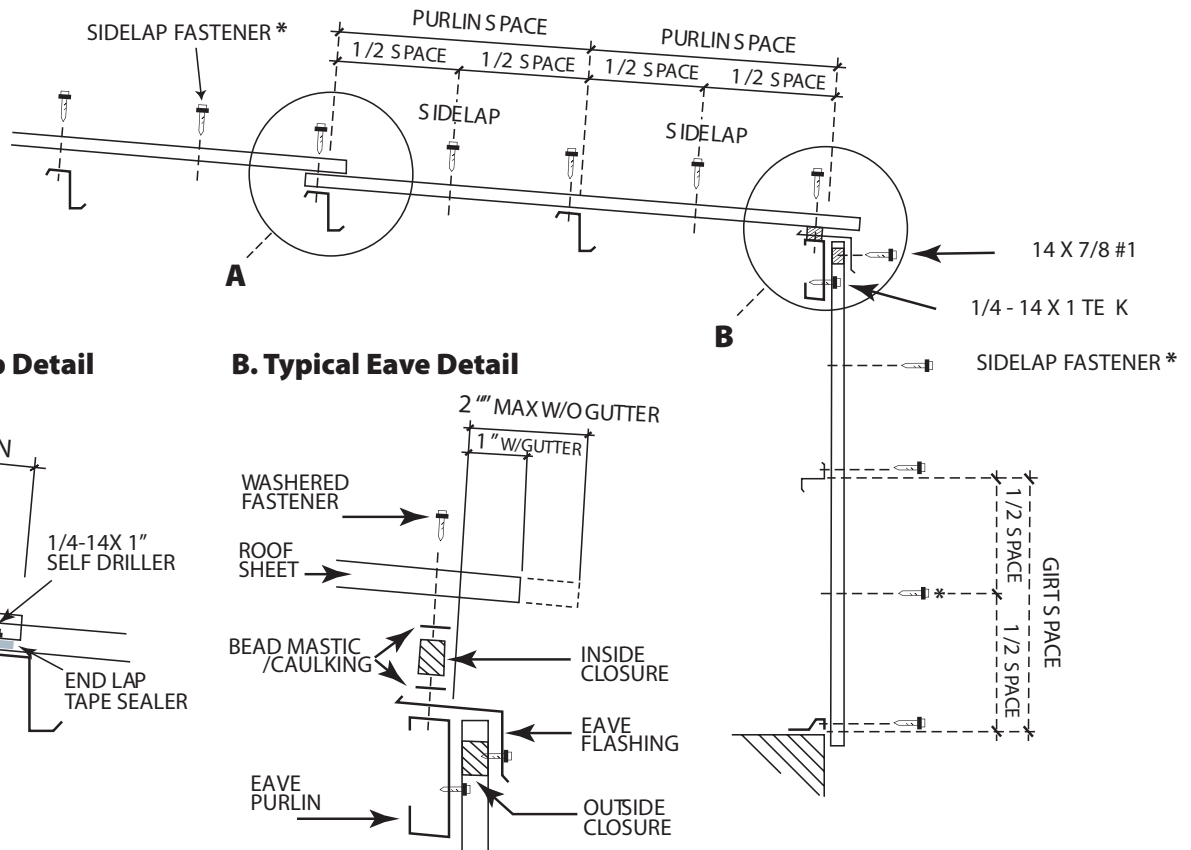
**STEP:**

1. Square the building according to accepted building practices.
2. The substructure (ridge to eave) must be on plane ( $\pm 1/4''-20'$ ).
3. Peak (ridge) purlin spacing is approximately 12" maximum (6" from centerline of building).
4. Roof panels should be installed in the longest lengths available to eliminate endlapping.

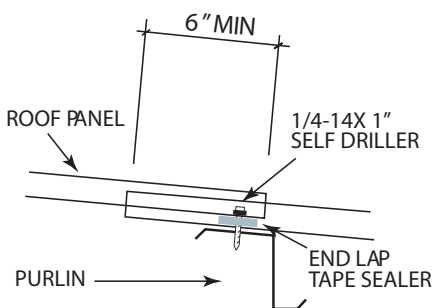
\* Overhaha is desirable if aable flashina is not used.

5. Where single length sheets are impractical, endlaped sheets must be installed similar to illustrated sequence with lower panels installed before upper slope panels.
6. Lower slope panels must be installed square to ensure that upper slope panels will nest properly at endlaps.
7. Roof should be swept clean of any drill shavings at the end of each days work since shavings will rust quickly and discolor the panel finish.

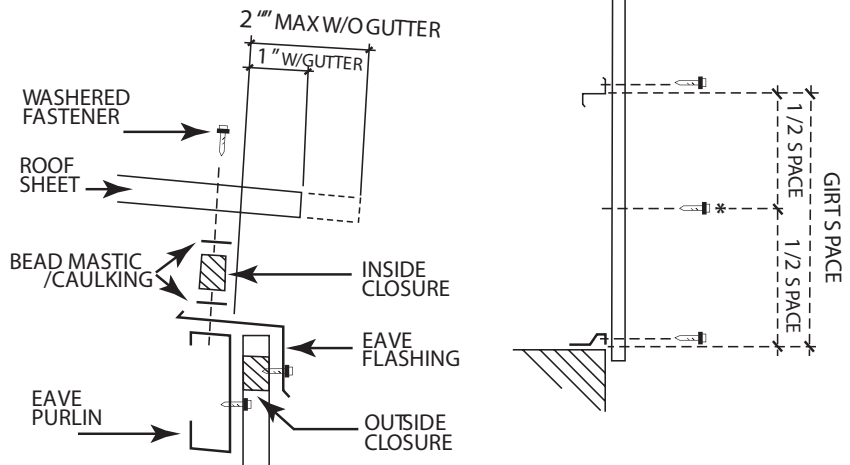
## SHEET LAPPING DETAILS



**A. Typical Endlap Detail**



**B. Typical Eave Detail**

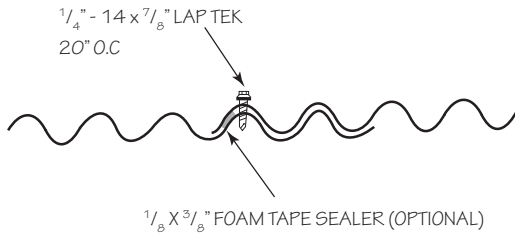
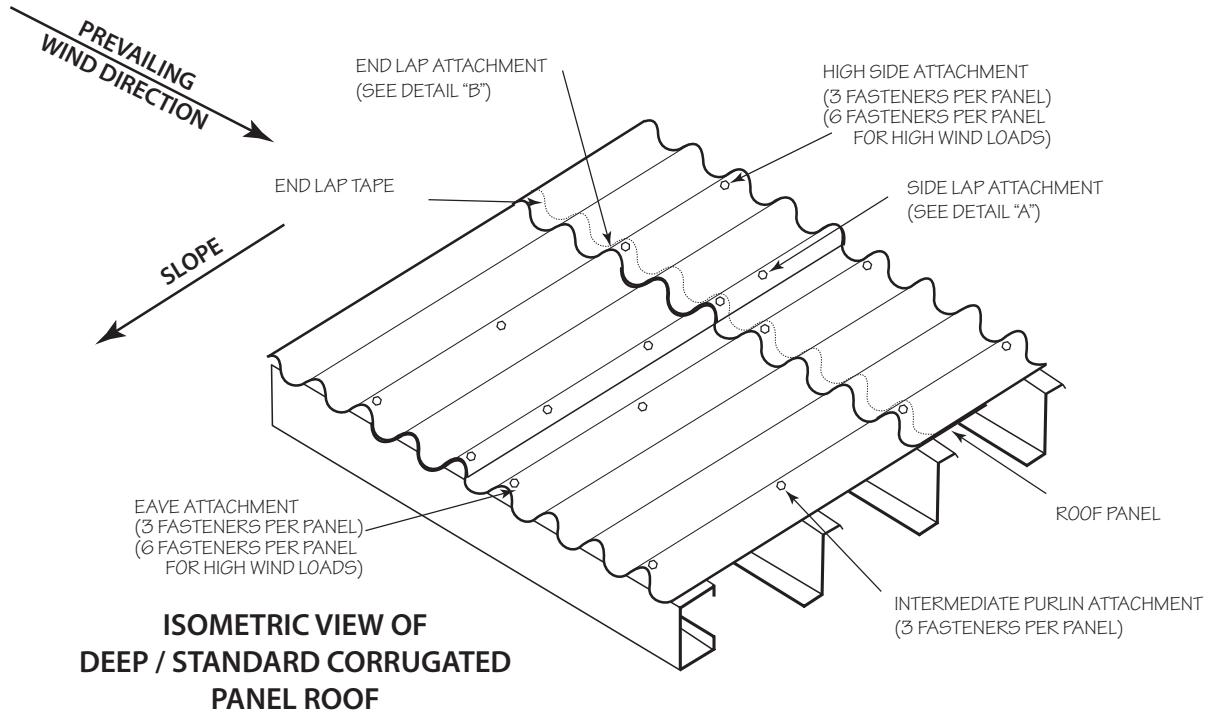


\* An intermediate fastener is required at the sidelap when fastener spacing at sidelap exceeds 3'-0".

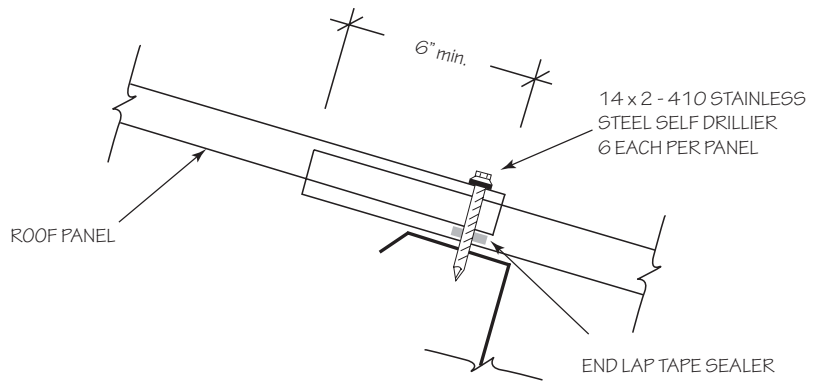
Application and design details are for illustration purposes only, and may not be appropriate for all environmental conditions or building designs. Projects should be engineered to conform to applicable building codes, regulations, and accepted industry practices



## DEEP / STANDARD CORRUGATED END LAP DETAIL - STEEL PURLINS



**DETAIL "A"**



**DETAIL "B"**

### SIDE LAP NOTES:

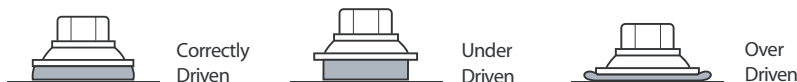
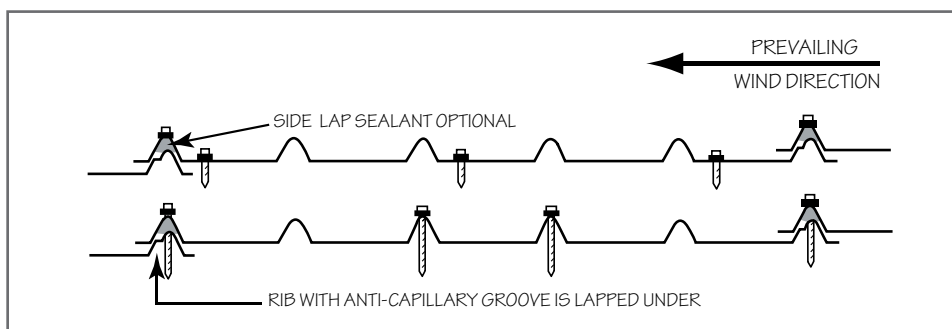
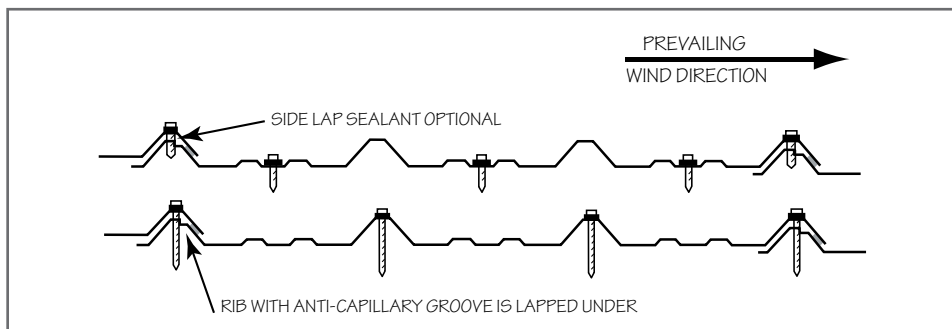
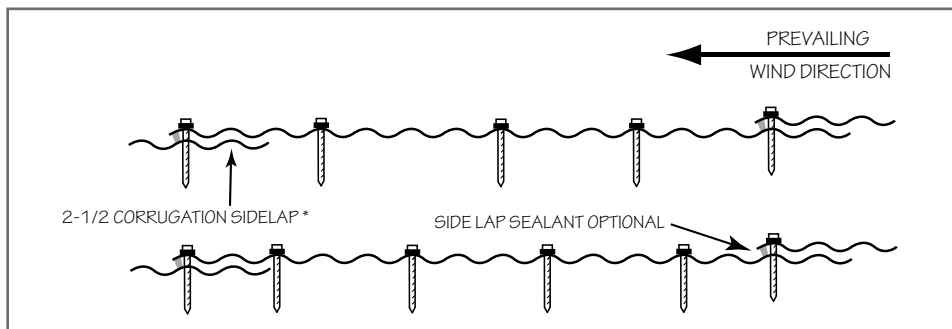
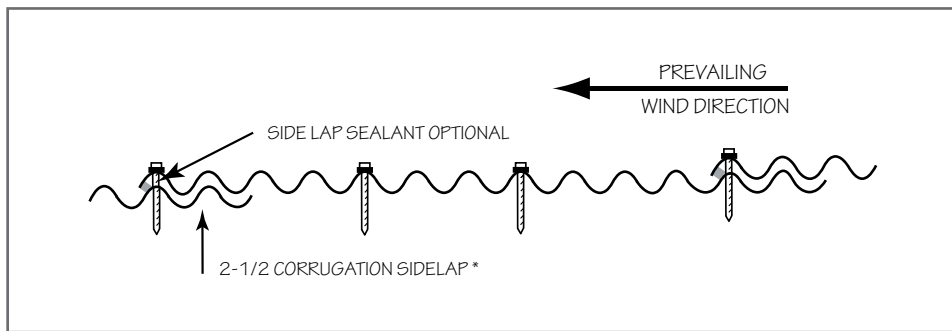
1. 1/8" x 3/8" tape sealer can be installed between weather infiltration point and fastener.
2. Install 14 x 7/8" Lap Tek fasteners at 20" on center.
3. When possible, install panels such that side laps are nested away from prevailing winds.

### END LAP NOTES:

1. End lap tape sealer must be installed between weather infiltration point and fastener.
2. Install 14 x 2" self-drilling fasteners on each third rib of panel (approx. two fasteners per foot).



## FASTENER PLACEMENT



### Notes:

- Panel laps away from prevailing wind.
- Use only those accessories specifically designed for use with this product.
- Isolate roofing and flashings from contact with dissimilar metals.
- Fastener selection will vary based upon substrate/local conditions.
- The use of foam tape along the sidelaps, as shown above, is suggested for roof panels.

