



LOCATION		DATE
PREPARED BY		QUANTITY
COMMENTS		FIXTURE TYPE
CATALOG NUMBER		

LED Track Heads TH70/80/90 Series

Features

Multi-purpose energy saving LED track light is offered in 3 colors and 3 lumen packages. Choose from Black, White or Satin Nickel finishes. A great upgrade replacement head that fits multiple track systems. (See compatible systems below) Fully adjustable 350° rotating heads. This product is fully dimmable when used with a standard two-wire dimmer. For Residential or Commercial use.
 TH70 – 295LM / 5.4W.
 TH80 – 500LM / 9.8W.
 TH90 – 770LM / 14.6W.

Construction

Head is made from die cast steel. Mounting stem is molded from high impact ABS plastic.

Finish

All exposed plastic and metal is painted white gloss or black enamel. Satin Nickel finish is plated metal with painted silver plastic connection point.

Diffuser

Diffuser lens is frosted clear polycarbonate.

Electrical

This unit is wired for 120V 60Hz 70mA operation. LED driver has a 12VAC output to the LED light engine. Can be dimmed down to +/- 10% of full scale using standard two-wire dimmers. (sold separately)

Compatible Dimmers:

Brand	Model #
Leviton®	6633, 6681, 6621-WWP, 6631-WP
Lutron®	TG-600P, TG-603P, LG-600H
Legrand/Pass & Seymour®	T600W, WS700TCCCVG

Compatible Track Systems:

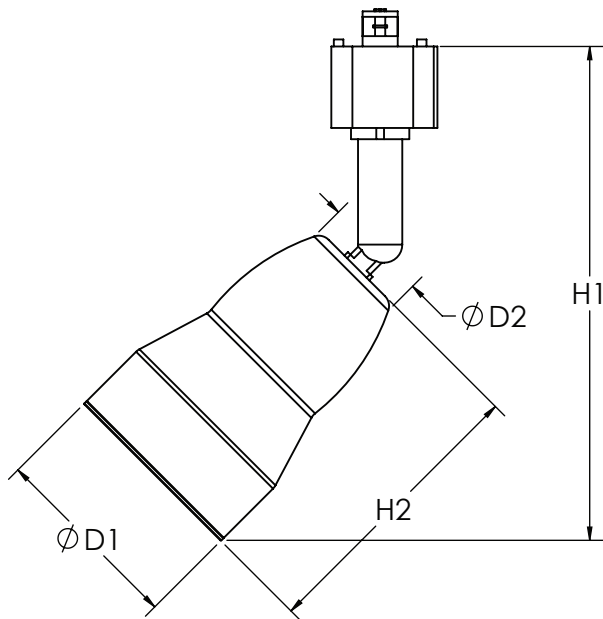
Brand	Model #
Hampton Bay®	16033KIT-BK (SKU 939308)
Hampton Bay®	16033KIT-WH (SKU 939044)
Hampton Bay®	EC5150WH (SKU 428803)
Cooper Lighting®	P6502W Track Kit
WAC Lighting®	H-Series Track

Lamping

LED's are 3000K non-replaceable. Rated for 35,000 hrs. 84 CRI.

Certification

Fixtures are cETLus listed for dry locations. Energy Star® qualified



Ordering Information:

Model No.	Finish	Lamps		Total Watt	Lumens	Dimensions		
		Qty	Type			D1	H2	H1
120V								
TH7030030LWH	White	5	LED	5.4W	295	2-3/4"	4"	7-3/8"
TH7030030LBK	Black	5	LED	5.4W	295	2-3/4"	4"	7-3/8"
TH7030030LSN	Satin Nickel	5	LED	5.4W	295	2-3/4"	4"	7-3/8"
TH8050030LWH	White	8	LED	9.8W	500	3"	4-1/2"	7-7/8"
TH8050030LBK	Black	8	LED	9.8W	500	3"	4-1/2"	7-7/8"
TH8050030LSN	Satin Nickel	8	LED	9.8W	500	3"	4-1/2"	7-7/8"
TH9070030LWH	White	10	LED	14.6W	770	3-3/4"	5-1/2"	8-7/8"
TH9070030LBK	Black	10	LED	14.6W	770	3-3/4"	5-1/2"	8-7/8"
TH9070030LSN	Satin Nickel	10	LED	14.6W	770	3-3/4"	5-1/2"	8-7/8"