

USE AND CARE GUIDE

BENTLEY III 22 INCH CEILING FAN



Questions, problems, missing parts? Before returning to the store,
call Home Decorators Collection Customer Service
8 a.m. - 7 p.m., EST, Monday-Friday, 9 a.m. - 6 p.m., EST Saturday

1-800-986-3460

HOMEDEPOT.COM/HOMEDECORATORS

THANK YOU

We appreciate the trust and confidence you have placed in Home Decorators Collection through the purchase of this ceiling fan. We strive to continually create quality products designed to enhance your home. Visit us online to see our full line of products available for your home improvement needs. Thank you for choosing Home Decorators Collection!

Table of Contents

Table of Contents	2	Disassembling Your Fan	13
Safety Information	3	Operation	14
Warranty	4	Remote Control Operating Instructions	14
Pre-Installation	4	Installing the Remote Control Holder	14
Specifications	4	Care and Cleaning	15
Tools Required	4	Troubleshooting	15
Hardware Included	5	Service Parts	17
Package Contents	6		
Installation	7		
Assembly	8		
Hanging the Fan	9		

Safety Information

1. To reduce the risk of electric shock, ensure electricity has been turned off at the circuit breaker or fuse box before beginning.
2. All wiring must be in accordance with the National Electrical Code “ANSI/NFPA 70-1999” and local electrical codes. Electrical installation should be performed by a qualified licensed electrician.
3. The outlet box and support structure must be securely mounted and capable of reliably supporting a minimum of 35 lbs. Use only UL-listed outlet boxes marked “FOR FAN SUPPORT.”
4. The fan must be mounted with a minimum of 7 ft. clearance from the trailing edge of the blades to the floor.
5. Avoid placing objects in the path of the blades.
6. To avoid personal injury or damage to the fan and other items, be cautious when working around or cleaning the fan.
7. Do not use water or detergents when cleaning the fan or fan blades. A dry dust cloth or lightly dampened cloth will be suitable for most cleaning.
8. After making electrical connections, spliced conductors should be turned upward and pushed carefully up into the outlet box. The wires should be spread apart with the grounded conductor and the equipment-grounding conductor on one side of the outlet box and ungrounded conductor on the other side of the outlet box.
9. All setscrews must be checked and retightened where necessary before installation.
10. This device complies with part 15 of the FCC Rules. Operation is subject to the following two conditions: (1) This device may not cause harmful interference, and (2) this device must accept any interference received, including interference that may cause undesired operation.

Warning: Changes or modifications to this unit not expressly approved by the party responsible for compliance could void the user's authority to operate the equipment.

NOTE: This equipment has been tested and found to comply with the limits for a Class B digital device, pursuant to Part 15 of the FCC Rules. These limits are designed to provide reasonable protection against harmful interference in a residential installation. This equipment generates, uses and can radiate radio frequency energy and, if not installed and used in accordance with the instructions, may cause harmful interference to radio communications.

However, there is no guarantee that interference will not occur in a particular installation. If this equipment does cause harmful interference to radio or television reception, which can be determined by turning the equipment off and on, the user is encouraged to try to correct the interference by one or more of the following measures:

- Reorient or relocate the receiving antenna.
- Increase the separation between the equipment and receiver.
- Connect the equipment into an outlet on a circuit different from that to which the receiver is connected.
- Consult the dealer or an experienced radio/TV technician for help.



WARNING: To reduce the risk of electrical shock or fire, do not use this fan with any solid-state fan speed control device. It will permanently damage the electronic circuitry.



WARNING: Do not insert foreign objects between rotating fan blades.



WARNING: To reduce the risk of fire, electric shock or personal injury, mount the fan to the outlet box marked acceptable for fan support with the screws provided with the outlet box.



CAUTION: To reduce the risk of personal injury, use only the screws provided with the outlet box.

Warranty

We warrant the fan motor to be free from defects in workmanship and material present at time of shipment from the factory for a period of lifetime after the date of purchase by the original purchaser. We also warrant that all other fan parts, excluding any glass or acrylic blades, to be free from defects in workmanship and material at the time of shipment from the factory for a period of two years after the date of purchase by the original purchaser. We agree to correct such defects without charge or at our option replace with a comparable or superior model if the product is returned. To obtain warranty service, you must present a copy of the receipt as proof of purchase. All costs of removing and reinstalling the product are your responsibility. Damage to any part such as by accident, misuse, improper installation or by affixing any accessories, is not covered by this warranty. Because of varying climatic conditions this warranty does not cover any changes in brass finish, including rusting, pitting, corroding, tarnishing or peeling. Brass finishes of this type give their longest useful life when protected from varying weather conditions. A certain amount of "wobble" is normal and should not be considered a defect. Servicing performed by unauthorized persons shall render the warranty invalid. There is no other express warranty. We hereby disclaim any and all warranties, including but not limited to those of merchantability and fitness for a particular purpose to the extent permitted by law. The duration of any implied warranty which cannot be disclaimed is limited to the time period as specified in the express warranty. Some states do not allow limitation on how long an implied warranty lasts, so the above limitation may not apply to you. The retailer shall not be liable for incidental, consequential, or special damages arising out of or in connection with product use or performance except as may otherwise be accorded by law. Some states do not allow the exclusion of incidental or consequential damages, so the above exclusion or limitation may not apply to you. This warranty gives specific legal rights, and you may also have other rights which vary from state to state. This warranty supersedes all prior warranties. Shipping costs for any return of product as part of a claim on the warranty must be paid by the customer.

Contact the Customer Service Team at 1-800-986-3460 or visit www.HOMEDEPOT.COM/HOMEDECORATORS

Pre-Installation

SPECIFICATIONS

Fan size	Speed	Volts	Amps	Watts	RPM	CFM	N.W.	G.W.	C.F.
22 in.	Low	120	X	X	X	X	7.08 kgs (15.58 lbs)	9.82 kgs (21.60 lbs)	5.13 ft.
	Medium								
	High								



TOOLS REQUIRED

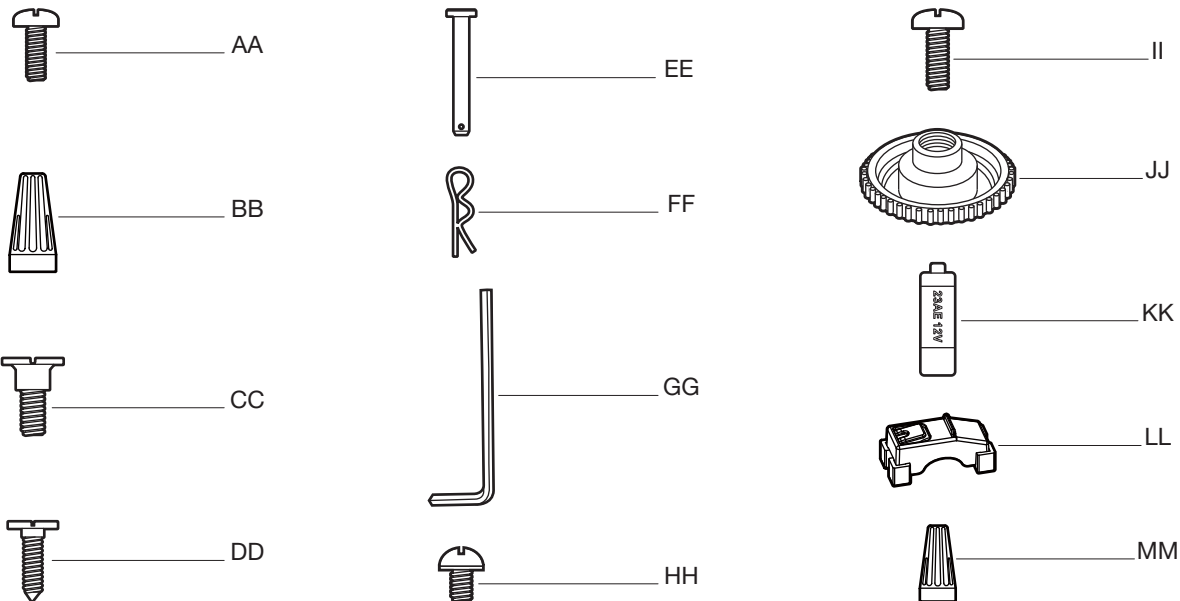


Pre-Installation (continued)

HARDWARE INCLUDED



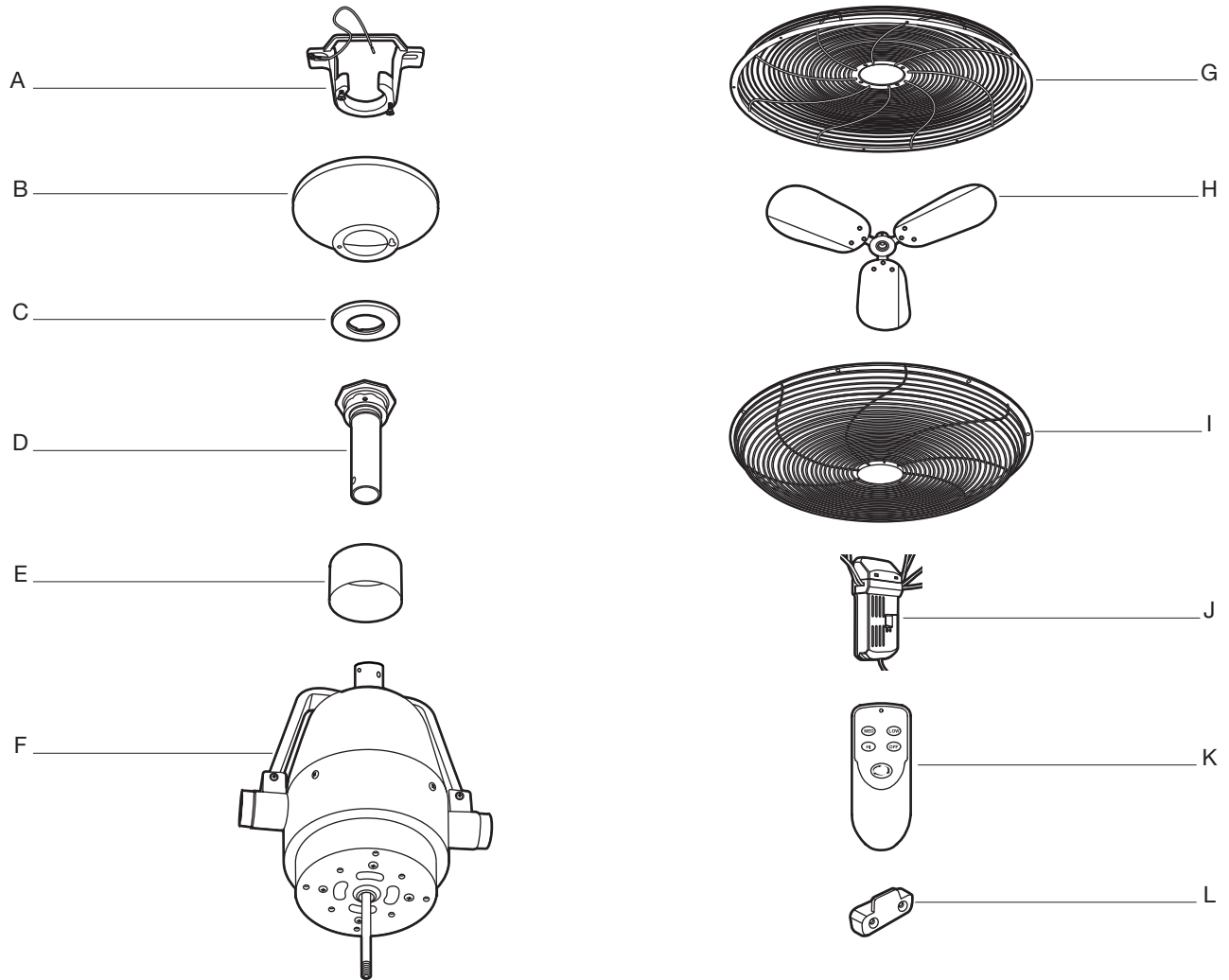
NOTE: Hardware shown to actual size unless noted otherwise in the table below.



Part	Description	Quantity
AA	Collar setscrew (preassembled)	2
BB	Plastic wire nut (not to scale)	3
CC	Canopy mounting bracket screw (preassembled)	2
DD	Remote control holder mounting screw (not to scale)	2
EE	Clevis pin (preassembled)	1
FF	Cotter pin (preassembled)	1
GG	Hex wrench (not to scale)	1
HH	Rear guard screw (preassembled)	4
II	Front guard screw (preassembled)	8
JJ	Blade cover (preassembled)	1
KK	12V MN21/A23 battery (not to scale)	1
LL	Stopper (preassembled)	1
MM	Plastic wire nut (not to scale)	6

Pre-Installation (continued)

PACKAGE CONTENTS



Part	Description	Quantity
A	Mounting bracket (preassembled)	1
B	Canopy	1
C	Canopy bottom cover (preassembled)	1
D	Hanger ball/downrod assembly	1
E	Coupling cover	1
F	Motor head (preassembled)	1

Part	Description	Quantity
G	Rear guard (preassembled)	1
H	Blade (preassembled)	1
I	Front guard (preassembled)	1
J	Receiver	1
K	Remote control	1
L	Remote control holder	1

Installation

MOUNTING OPTIONS

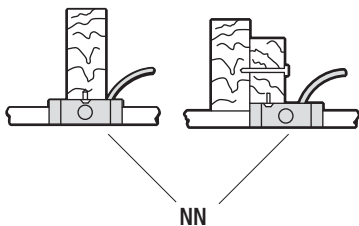
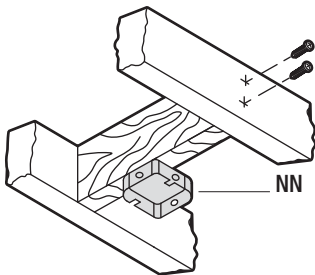


WARNING: To reduce the risk of fire, electric shock, or other personal injury, mount the fan only on an outlet box or supporting system marked acceptable for fan support of 35 lbs (15.9 kg) or less and use mounting screws provided with the outlet box. Most outlet boxes commonly used for the support of lighting fixtures are not acceptable for fan support and may need to be replaced. Consult a qualified electrician if in doubt.

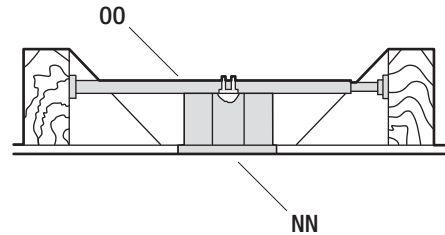
If your ceiling fan does not have an existing UL-listed mounting box, then install one using the following instructions:

- Disconnect the power by removing the fuses or turning off the circuit breakers.
- Secure the outlet box (NN) (not included) directly to the building structure. Use appropriate fasteners and materials (not included). The outlet box and its bracing must be able to fully support the weight of the moving fan (at least 35 lbs.). Do not use a plastic outlet box.

The illustrations below show two different ways to mount the outlet box (NN) (not included).



WARNING: This fan is not suitable for sloped ceilings.

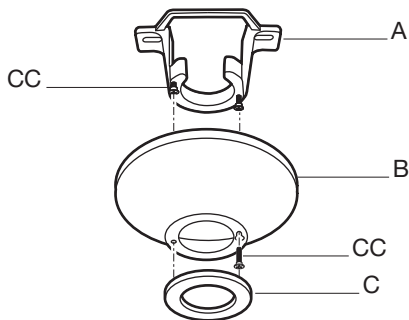


To hang your fan where there is an existing fixture but no ceiling joist, you may need an installation hanger bar (OO) (not included) as shown above.

Assembly

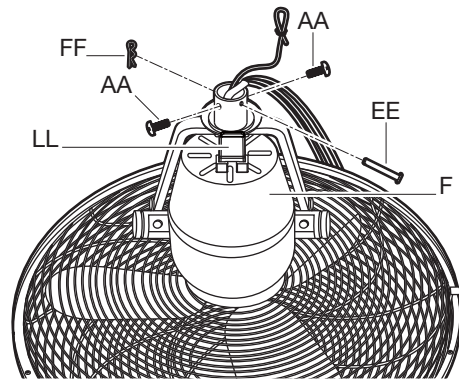
1 Preparing the canopy

- Remove the canopy bottom cover (C) from the canopy (B) by turning the canopy bottom cover (C) counter-clockwise.
- Remove the mounting bracket (A) from the canopy (B) by removing the non-slotted canopy mounting screw (CC) from the bottom of the canopy (B) and loosening the slotted canopy mounting screw (CC) a half turn from the screw head. Next, turn the canopy (B) counterclockwise to remove the mounting bracket (A) from the canopy (B).



2 Preparing the motor

- Remove the clevis pin (EE), cotter pin (FF), and loosen the two collar setscrews (AA) at the top of the motor head (F) collar.
- The fan motor assembly (A) is shipped with a stopper (LL) to prevent movement during transportation. **So before completing the installation, don't remove the stopper (LL).**



3 Assembling the fan



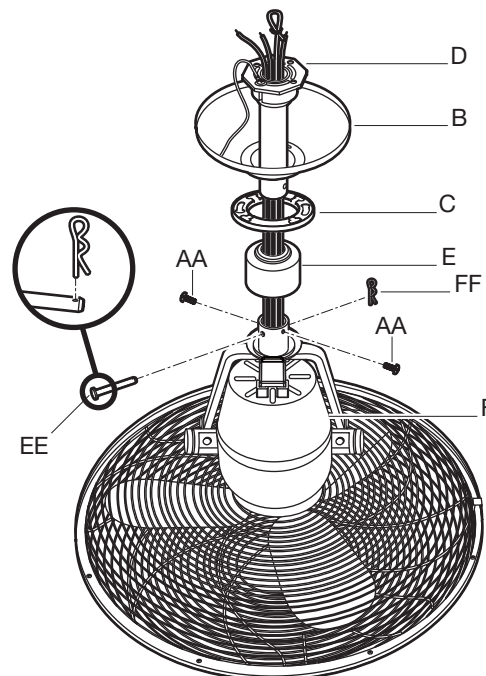
WARNING: Failure to properly install the cotter pin (FF) could result in the fan loosening and possibly falling.



NOTE: If a longer downrod (not included) is needed, take out the screw located in the hanger ball (you need to use the hex wrench (GG) to loosen your set screw), lower the hanger ball and remove the pin. Remove all three pieces from the downrod and assemble them onto the new longer downrod before proceeding to the downrod installation.

- Route the wires exiting from the top of the motor head (F) through the coupling cover (E) and the canopy bottom cover (C). Ensure the slot openings are on top.
- Route the wires through the canopy (B) and then through the hanger ball/downrod assembly (D).
- Align the holes at the bottom of the hanger ball/downrod assembly (D) with the holes in the collar on top of the motor head (F).
- Carefully insert the clevis pin (EE) through the holes in the collar and the hanger ball/downrod assembly (D). Be careful not to jam the clevis pin (EE) against the wiring inside the hanger ball/downrod assembly (D).

- Insert the cotter pin (FF) through the hole near the end of the clevis pin (EE) until it snaps into the locked position.
- Tighten the two collar setscrews (AA) at the top of the motor head collar.



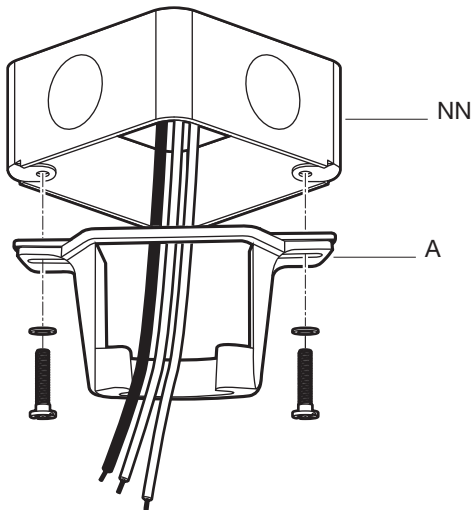
Assembly – Hanging the Fan

4 Installing the mounting bracket to the electrical box



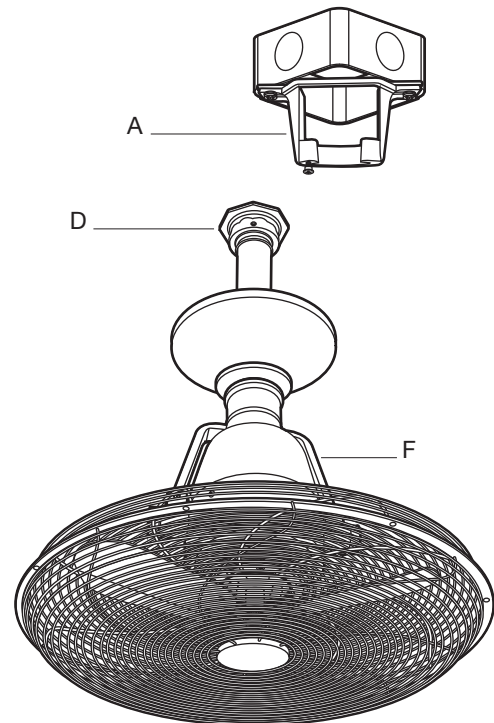
WARNING: To reduce the risk of fire, electric shock, or other personal injury, mount the fan only on an outlet box or supporting system marked acceptable for fan support of 35 lbs (15.9 kg) or less and use mounting screws provided with the outlet box.

- Pass the 120-volt supply wires through the center hole in the mounting bracket (A).
- Install the mounting bracket (A) to the outlet box (NN) with the screws and washers provided with the outlet box (NN).
- Securely tighten the two mounting screws.



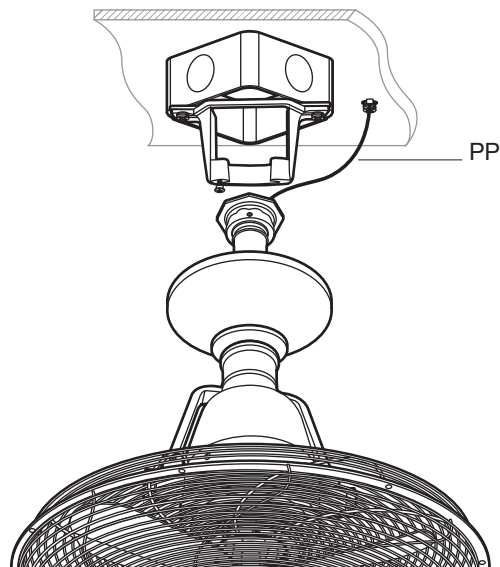
5 Hanging the fan from the mounting bracket

- Carefully lift the fan motor head (F) up to the mounting bracket (A) and seat the hanger ball/downrod assembly (D) in the mounting bracket (A) socket.



6 Installing the safety cable

- Secure the safety cable (PP) to the building structure using a wood screw (not included).



Assembly — Hanging the Fan (continued)

7 Preparing the receiver and remote control

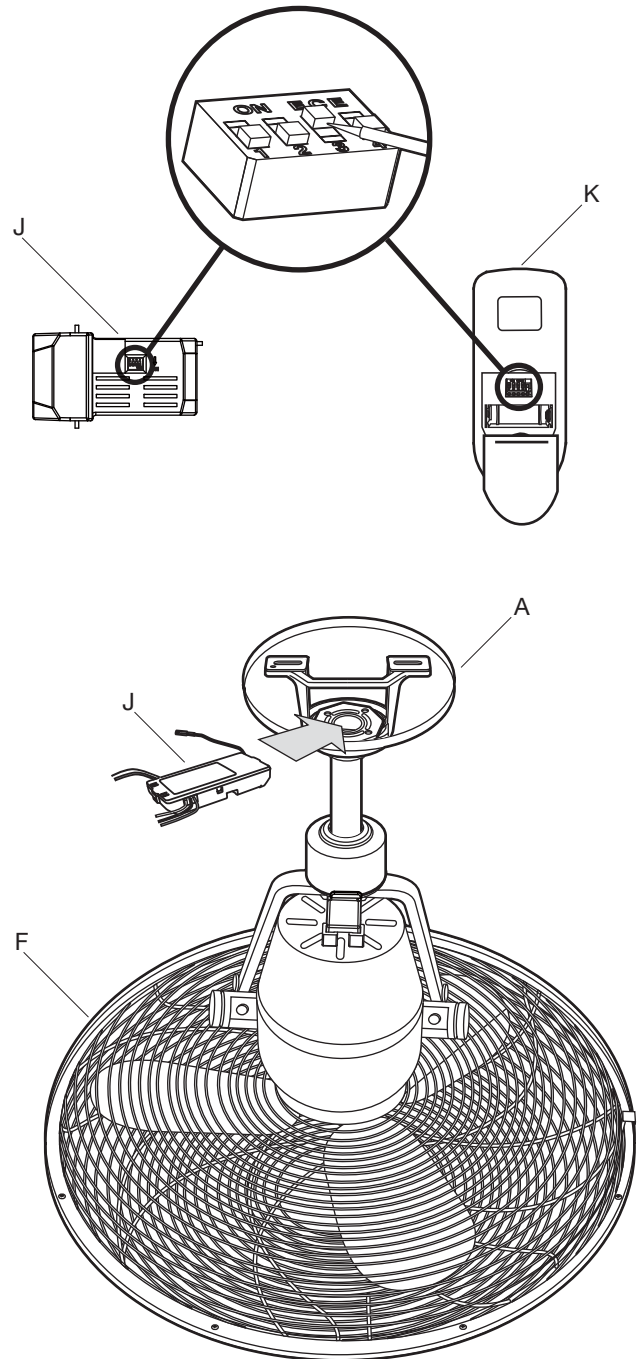


WARNING: To avoid possible electrical shock, be sure electricity is turned off at the main fuse box before wiring.

If you feel you do not have enough electrical wiring knowledge or experience, have your fan installed by a licensed electrician.

This remote control unit is equipped with 16 code combinations to prevent possible interference from or to other remote units. The frequency switches on your receiver (J) and remote control (K) have been preset at the factory. Please recheck to make sure the switches on the remote control (K) and the receiver (J) are set to the same position. Any combination of settings will operate the fan as long as the switches in the remote control (K) and receiver (J) are set to the same position.

- After checking the switches, insert the receiver (J) into the mounting bracket (A) with the flat side of the receiver (J) facing the ceiling.



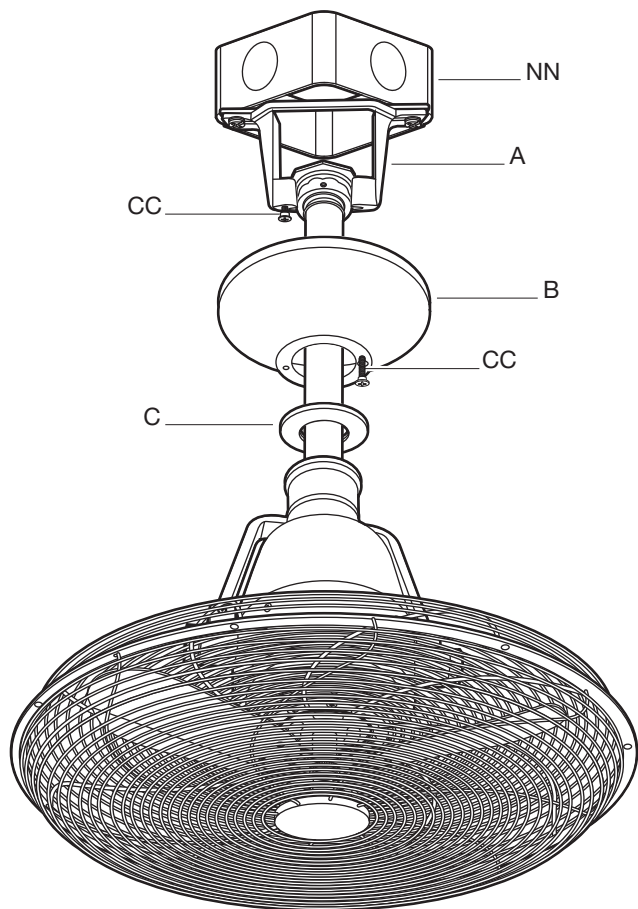
Assembly — Hanging the Fan (continued)

9 Installing the canopy



WARNING: Make sure the tab on the mounting bracket (A) properly sits in the groove in the hanger ball/downrod assembly (D) before attaching the canopy (B) to the mounting bracket (A) by turning the canopy until it drops into place.

- Tuck the connections neatly into the ceiling outlet box (NN).
- Slide the canopy (B) up to the mounting bracket (A) and place the key hole on the canopy (B) over the loose canopy mounting bracket screw (CC) on the mounting bracket (A). Turn the canopy (B) clockwise until the canopy (B) locks in place at the narrow section of the key holes.
- Align the circular hole on the canopy (B) with the remaining hole on the mounting bracket (A). Secure the canopy mounting bracket screw (CC) previously removed in the hole and tighten the two canopy mounting bracket screws (CC).



10 Attaching the canopy bottom cover to the canopy

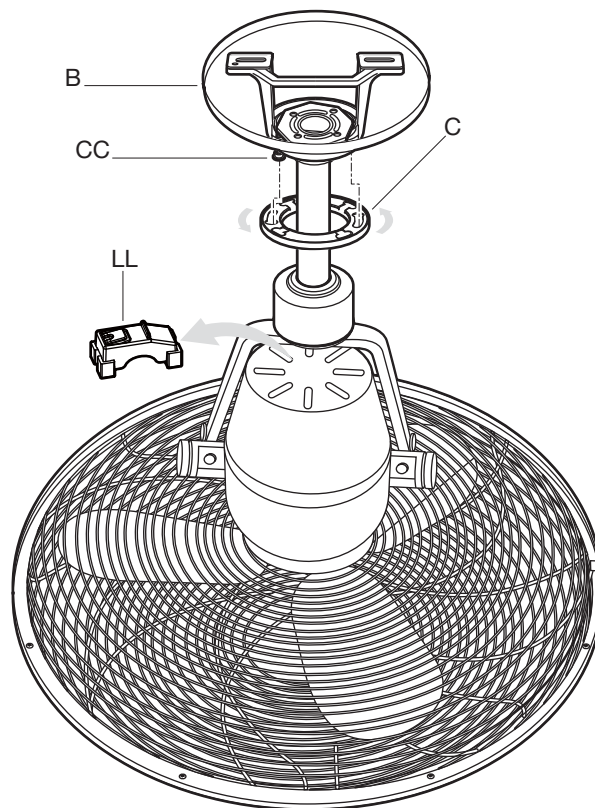


NOTE: The stopper (LL) must be removed before operating your fan.



NOTE: Adjust the canopy mounting bracket screws (CC) as necessary until the canopy (B) and canopy bottom cover (C) are snug.

- Attach the canopy bottom cover (C) to the canopy mounting screw heads (CC) on the bottom of the canopy (B) by inserting the canopy mounting screw heads (CC) into the key slots in the canopy bottom cover (C) and rotating the canopy bottom cover (C) clockwise.
- Remove the stopper (LL) by pressing the clip on the stopper (LL) and sliding it forward off of the tube and fan assembly.

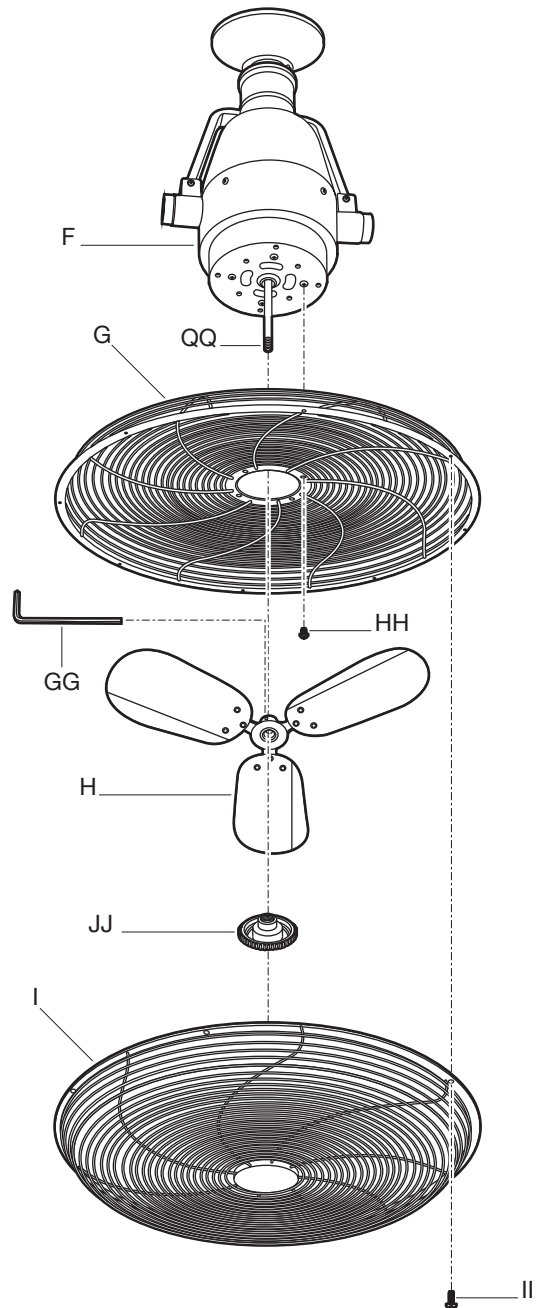


Disassembling Your Fan

This fan comes with a pre-assembled ~~the~~ rear guard (G), blade (H), and front guard (I) for your easy installation. Check that all screws are tight and securely in place.

If you need to disassemble the fan for any reason such as cleaning, follow these steps below:

- Loosen the front guard screws (II) to disassemble the front guard (I) from the rear guard (G).
- Remove the blade cover (JJ) from the blade (H) by turning the blade cover (JJ) clockwise.
- Loosen the setscrew at the top of the blade head by using the hex wrench (GG).
- Remove the blade (H) from the motor shaft (QQ).
- Remove the rear guard (G) from the motor head (F) by **loosing** the rear guard screws (HH) from the motor head (F).




Operation

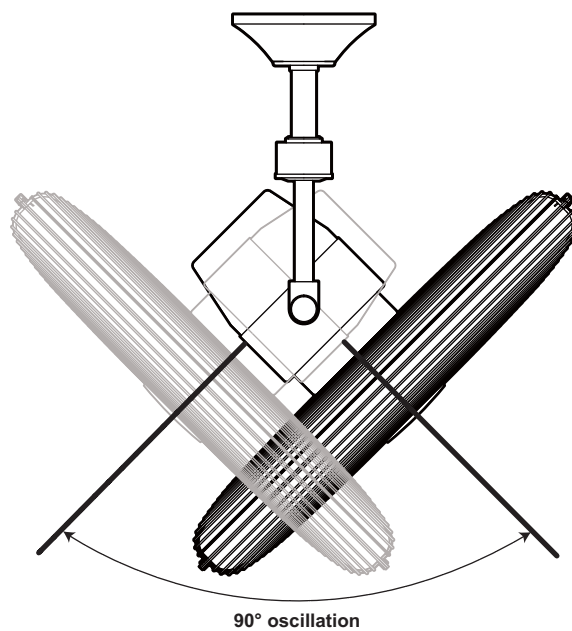
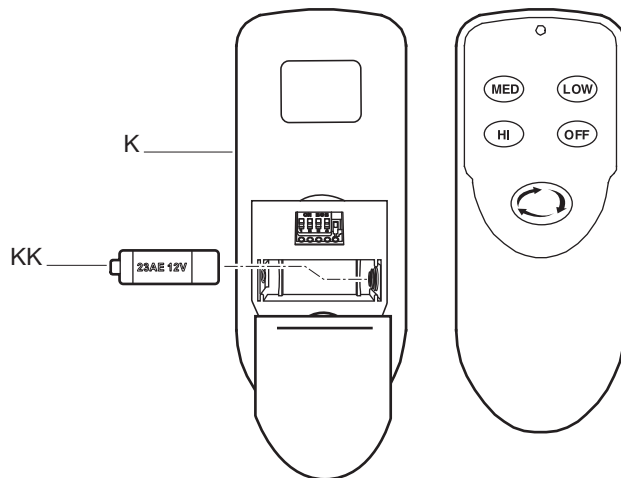
REMOTE CONTROL OPERATING INSTRUCTIONS

- Install the 12V MN21/A23 battery (KK) (included) into the remote control (K). To prevent damage to the remote control (K), remove the battery if not used for long periods.
- Restore power to the ceiling fan and test for proper operation.

HI , MED, LOW buttons: Sets the fan speed.

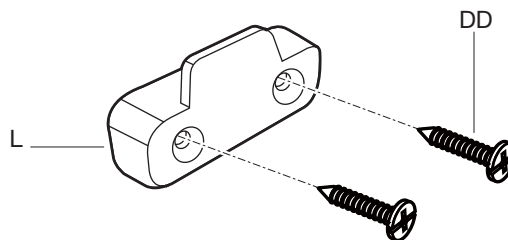
OFF button: Turns the fan off.

 button: This button is used for oscillating operation; press the button to set the fan to 90 degree oscillation; press again to turn off the oscillation, and the fan will stay at the same direction where the oscillation is turned off.



INSTALLING THE REMOTE CONTROL HOLDER

- Attach the remote control holder (L) with the two remote control holder mounting screws (DD).



Care and Cleaning

Do

- Check the support connections, brackets, and blade attachments twice a year. Make sure they are secure. Because of the fan's natural movement, some connections may become loose over time. It is not necessary to remove the fan from the ceiling.
- Clean your fan periodically. Use only a soft brush or lint-free cloth to avoid scratching the finish. The plating is sealed with a lacquer to minimize discoloration or tarnishing.
- (Optional) Cover small scratches with a light application of shoe polish.

Do not

- Use water when cleaning. Water could damage the motor, or the wood, or possibly cause an electrical shock.
- Apply oil to your fan or motor. The motor has permanently-lubricated sealed ball bearings.

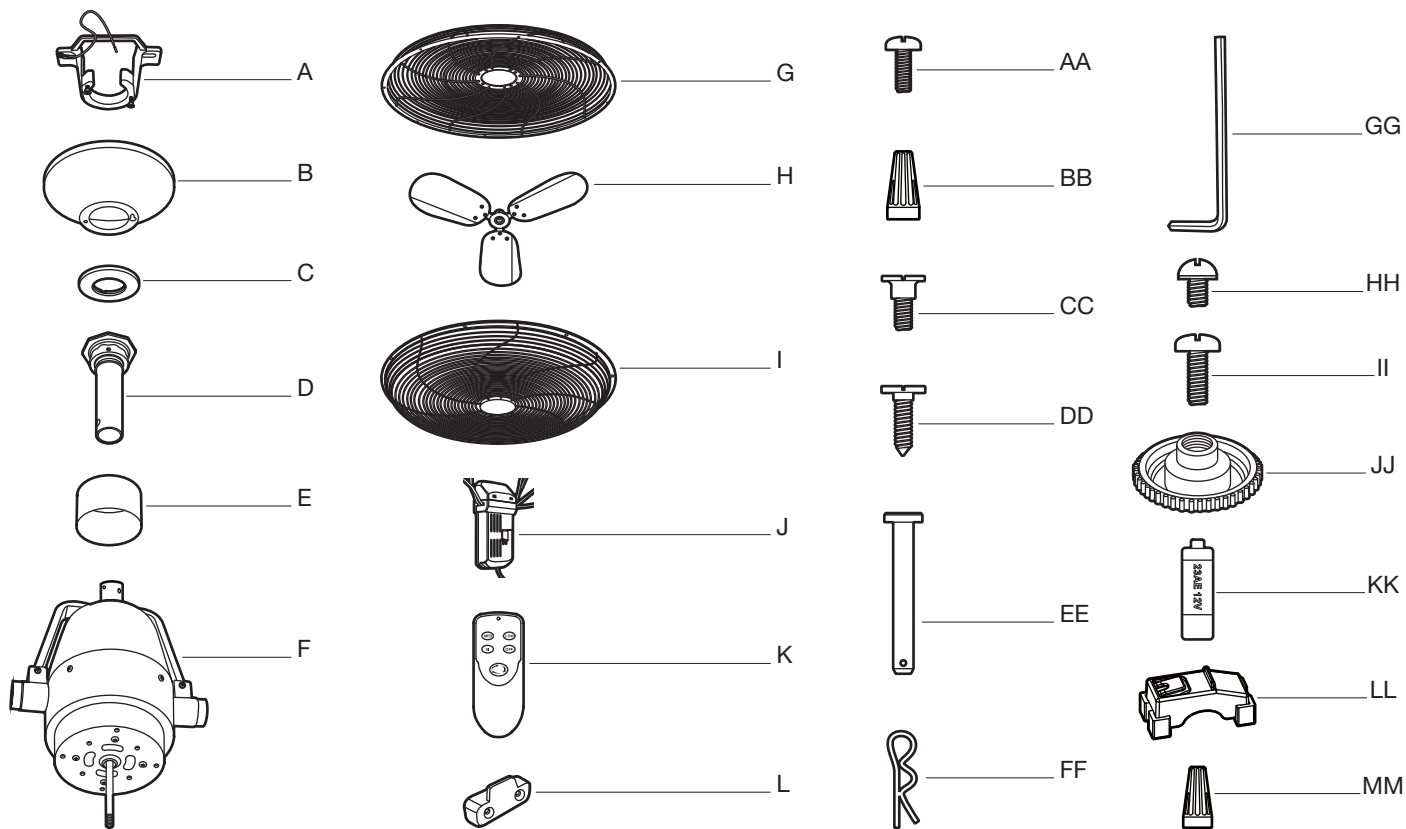
Troubleshooting



WARNING: Make sure the power is off at the electrical panel box before you attempt any repairs. Refer to step 8 "Making the electrical connections" on page 11.

Problem	Solution
The fan will not start.	□ Check the main and branch circuit fuses or breakers.
	□ Check the line wire connections to the fan.
The fan sounds noisy.	□ Make sure all screws on fan motor assembly and fan guards are snug.
	□ Make sure the blade and the blade cover are securely in place.
	□ Allow a 24-hour "breaking-in" period. Most noises associated with a new fan disappear during this time.
	□ Make sure there is a short distance from the ceiling to the canopy. It should not touch the ceiling.
	□ Make sure your ceiling box is secure and rubber isolator pads are used between mounting bracket and outlet box.
The remote control is not working.	□ Do not connect the fan with wall mounted variable speed control(s).
	□ Make sure the frequency switches are set correctly.

Service Parts



Part	Description
A	Mounting bracket (preassembled)
B	Canopy
C	Canopy bottom cover (preassembled)
D	Hanger ball/downrod assembly
E	Coupling cover
F	Motor head (preassembled)
G	Rear guard(preassembled)
H	Blade (preassembled)
I	Front guard (preassembled)
J	Receiver
K	Remote control
L	Remote control holder

Part	Description
AA	Collar setscrew (preassembled)
BB	Plastic wire nut
CC	Canopy mounting bracket screw (preassembled)
DD	Remote control holder mounting screw
EE	Clevis pin (preassembled)
FF	Cotter pin (preassembled)
GG	Hex wrench
HH	Rear guard screw (preassembled)
II	Front guard screw (preassembled)
JJ	Blade cover (preassembled)
KK	12V MN21/A23 battery
LL	Rubber packing mount (preassembled)
MM	Plastic wire nut

HOME DECORATORS COLLECTION

Questions, problems, missing parts? Before returning to the store,
call Home Decorators Collection Customer Service
8 a.m. - 7 p.m., EST, Monday-Friday, 9 a.m. - 6 p.m., EST Saturday

1-800-986-3460

HOMEDEPOT.COM/HOMEDECORATORS

Retain this manual for future use.

AL14-22-BN00001-A