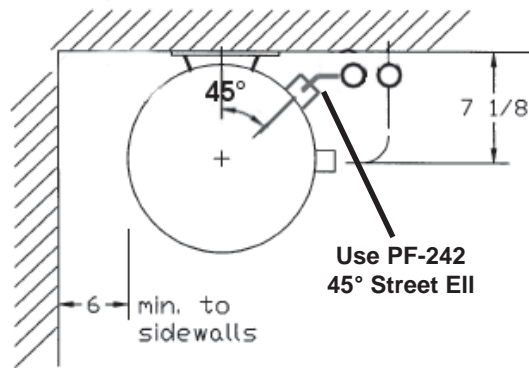
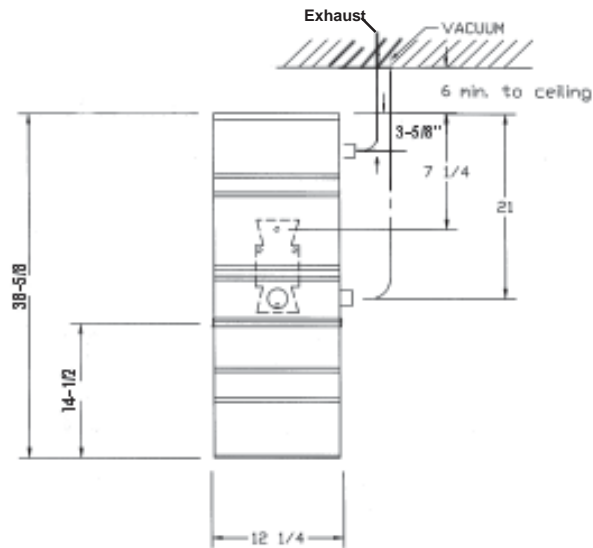


TYPICAL INSTALLATION - POWER UNITS

NOTE: Exhaust should be vented outdoors using 2" tubing - Exhaust air should not be vented into a wall, ceiling or a concealed space of a building. Mount power unit such that cord may be directly plugged into receptacle or have new receptacle installed. **DO NOT** use an extension cord.



NOTE: MOUNT POWER UNIT SUCH THAT CORD MAY BE DIRECTLY PLUGGED INTO RECEPTACLE, OR HAVE A NEW RECEPTACLE INSTALLED. DO NOT USE AN EXTENSION CORD.



MODEL CV3200/CV3300/CV3400P

TOP CAN

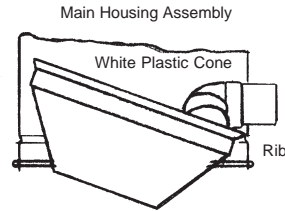


FIGURE 1



FIGURE 1A

TOP CAN

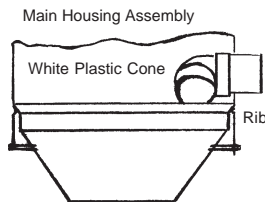


FIGURE 2

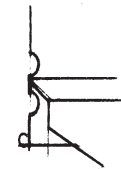
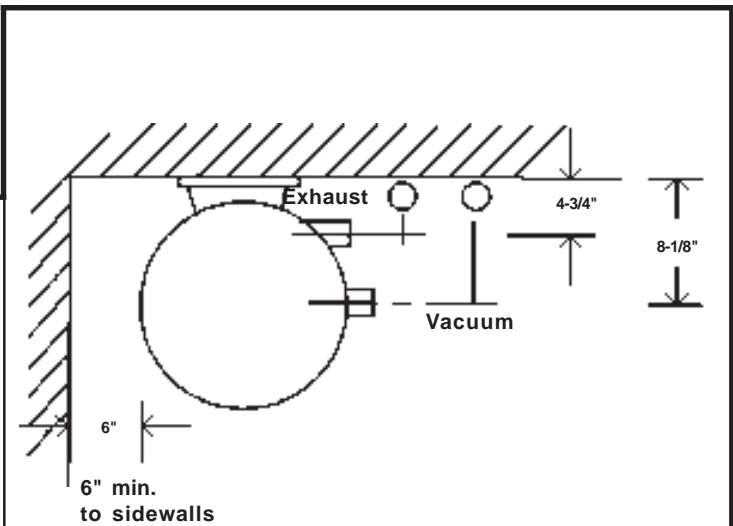


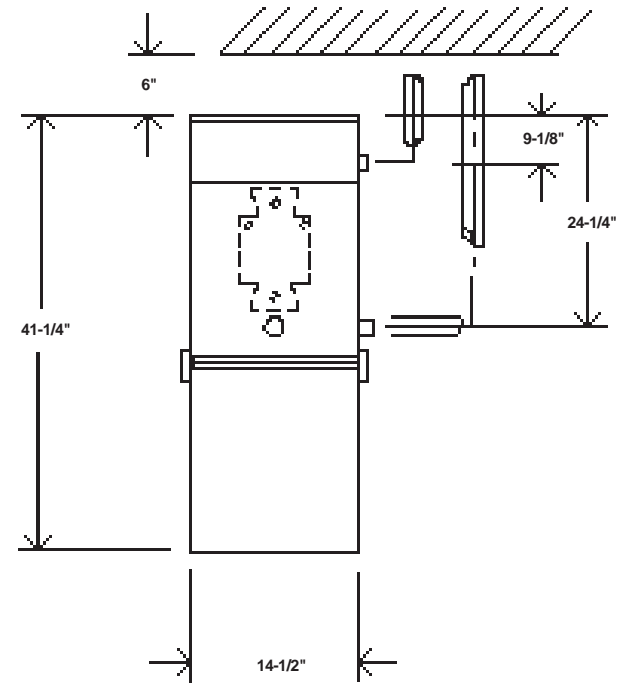
FIGURE 2A

INSTALLATION - PLASTIC CONE

The plastic cone is necessary for proper separation. For single ring unit installation the tilted cone is pushed up inside the unit so that the lip of the lower edge of the cone rests on the first lower rib of the can (Figure 1). Then, the high-side of the cone is pulled down gently to seat on the top of the lower rib. The entire edge of the cone should now rest on the top of the rib (Figure 2). For double ring unit installation the tilted cone is pushed up inside the unit. The lower lip is then brought down and placed in between the two lower rings (Figure 1A). Then the cone is tilted level and pulled down until the complete lip pops in place between the two lower rings (Figure 2A).



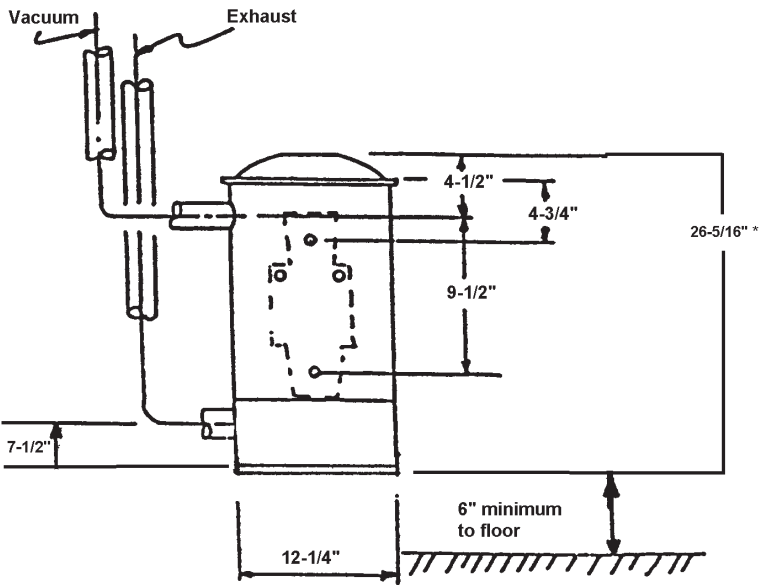
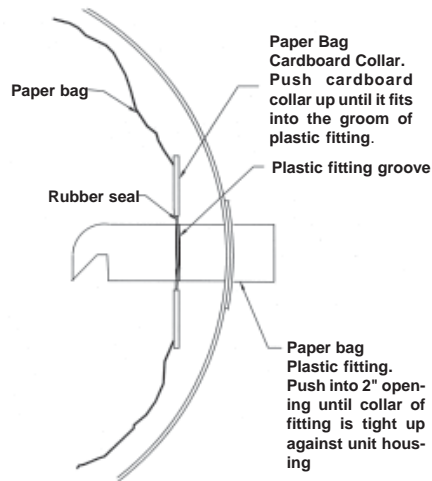
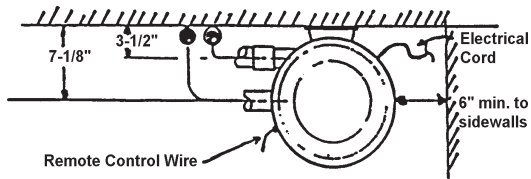
6" min.
to sidewalls



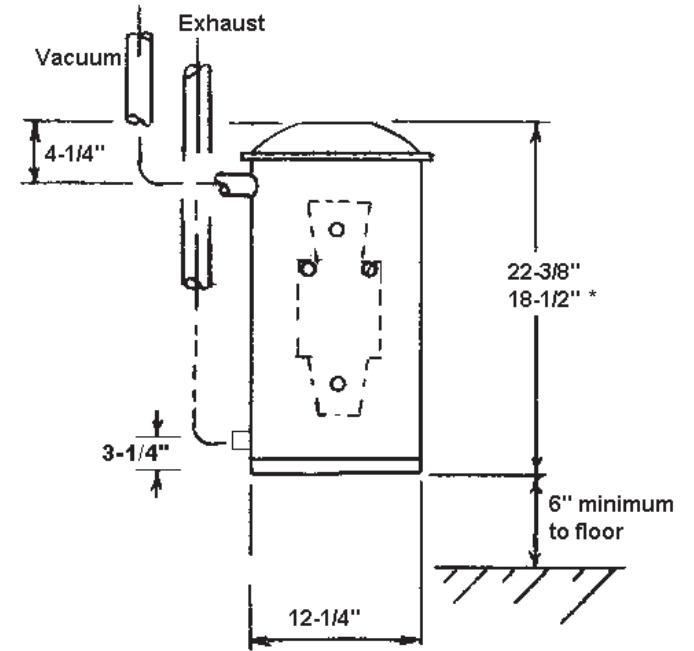
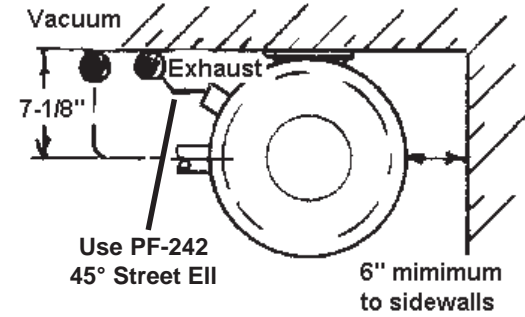
MODEL CV3500

TYPICAL INSTALLATION - POWER UNITS

NOTE: Exhaust should be vented outdoors using 2" tubing - Exhaust air should not be vented into a wall, ceiling or a concealed space of a building. Mount power unit such that cord may be directly plugged into receptacle or have new receptacle installed. **DO NOT** use an extension cord.



MODEL CV700/CV800



MODEL CV280/CV300