

Features

- Adjustable oversized sprayface
- MasterClean™ sprayface resists hard water buildup and is easy to clean
- Complements Forté® faucet line
- Ergonomic sprayhead pivots
- 1.75 gpm (6.6 L) per minute maximum flow rate
- Wide Coverage, medium coverage, forceful utility spray, and water-saving spray option
- Water-saving spray meets ADA requirement for non-positive shutoff

Optional Accessories

- K- 8593 72" Shower Hose
- K- 9514 60" Shower Hose
- K- 45981 Shower Hose
- K- 45982 Shower Hose



ADA

CSA B651

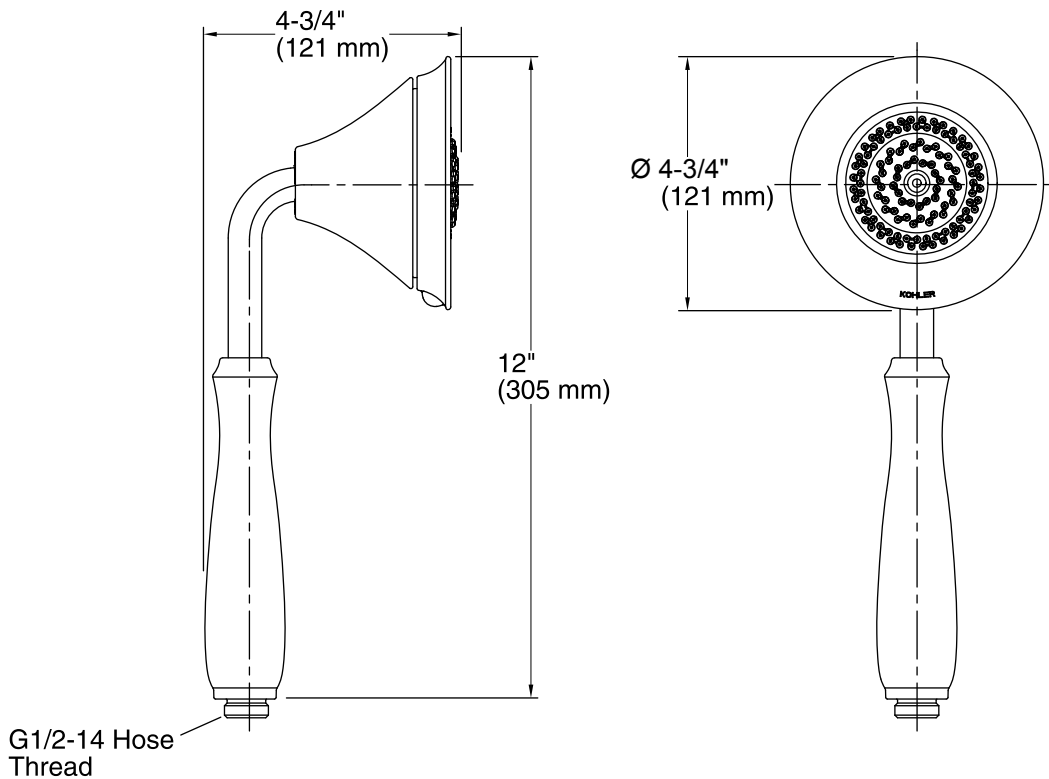
OBC

Codes/Standards

ASME A112.18.1/CSA B125.1
DOE - Energy Policy Act 1992
EPA WaterSense®
ADA
ICC/ANSI A117.1
CSA B651
OBC

KOHLER® Faucet Lifetime Limited Warranty

See website for detailed warranty information.



Technical Information

All product dimensions are nominal.

Handshower:

Rated maximum flow: 1.75 gal/min (6.6 l/min)

Notes

Install this product according to the installation guide.

Plumbing codes require approved backflow prevention devices to be installed in-line to handshowers. Please consult with local plumbing officials.

ADA, OBC, CSA B651 compliant when installed to the specific requirements of these regulations.