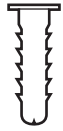
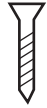


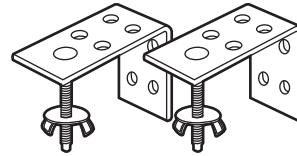
**1** Check package for the complete set of parts.



wall anchor

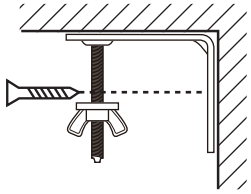


screws



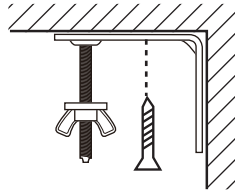
brackets

**2** Install brackets as wall or ceiling mount according to your preference.



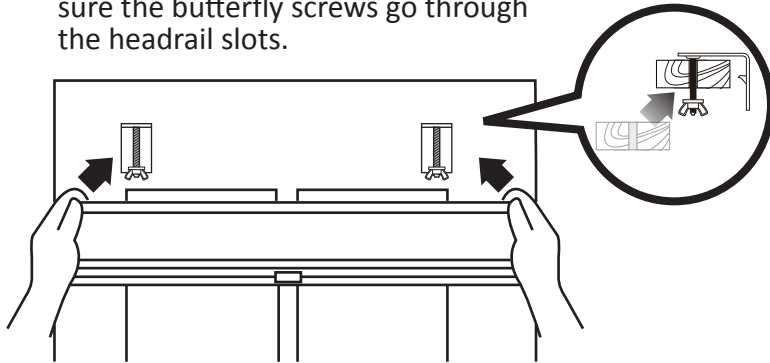
Wall mount

OR

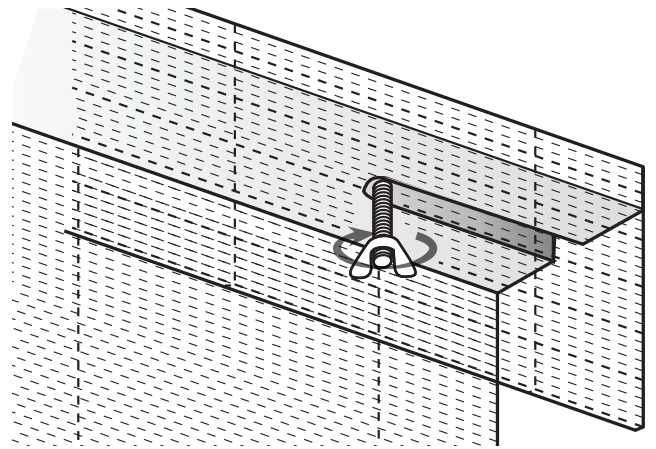
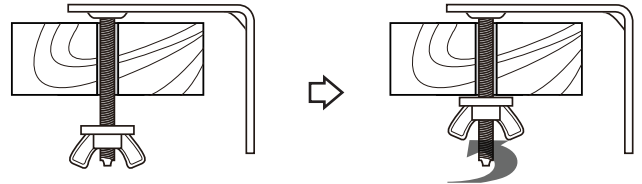


Ceiling mount

**3** Insert the headrail into the brackets, making sure the butterfly screws go through the headrail slots.



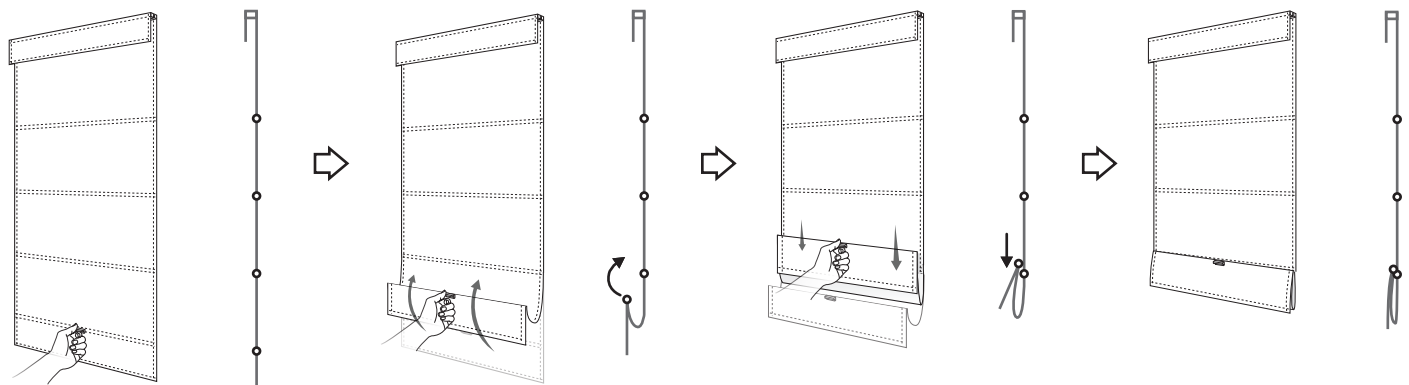
**4** Tighten the butterfly screw until it is tightened all the way.



**5** Use the handle to raise or lower the shade to the desired height.

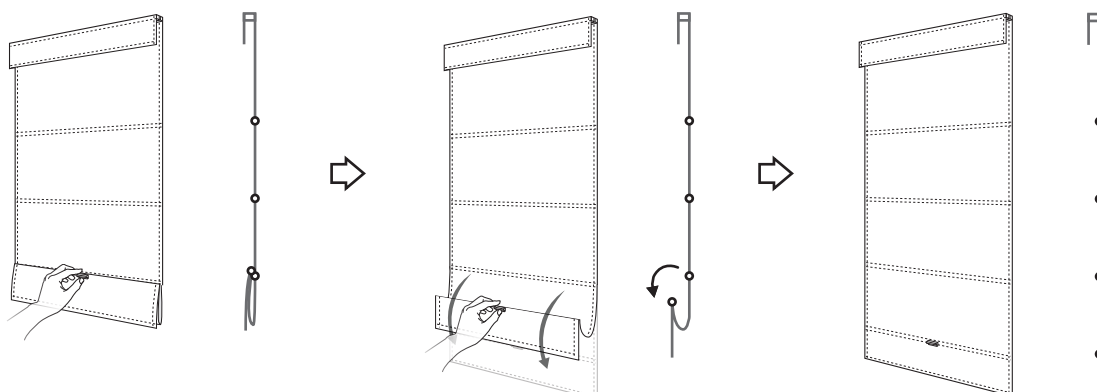
**Raise the Shade :**

Use the handle and go a little above the row desired, and slide down until magnets attract. Keeping the shade leveled.

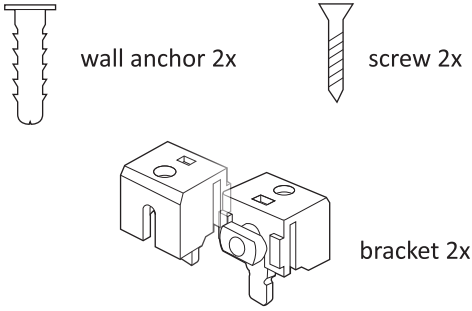


**Lower the Shade :**

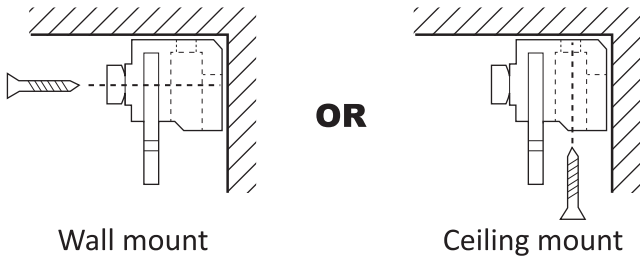
Pull down on the handle to separate the magnet attraction.



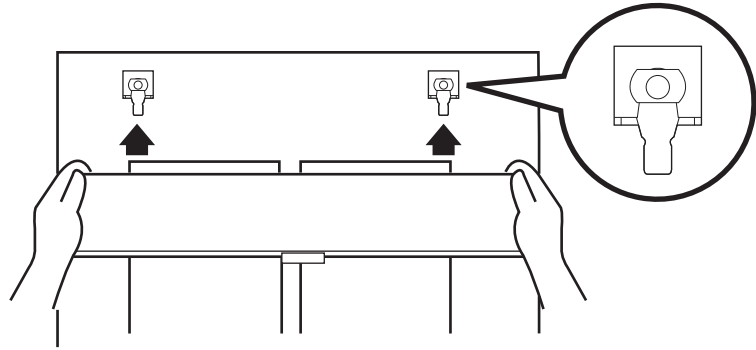
**1** Check package for the complete set of parts.



**2** Install brackets as wall or ceiling mount according to your preference.



**3** Insert the headrail into the brackets, making sure the lock lever of the bracket is pointing down.



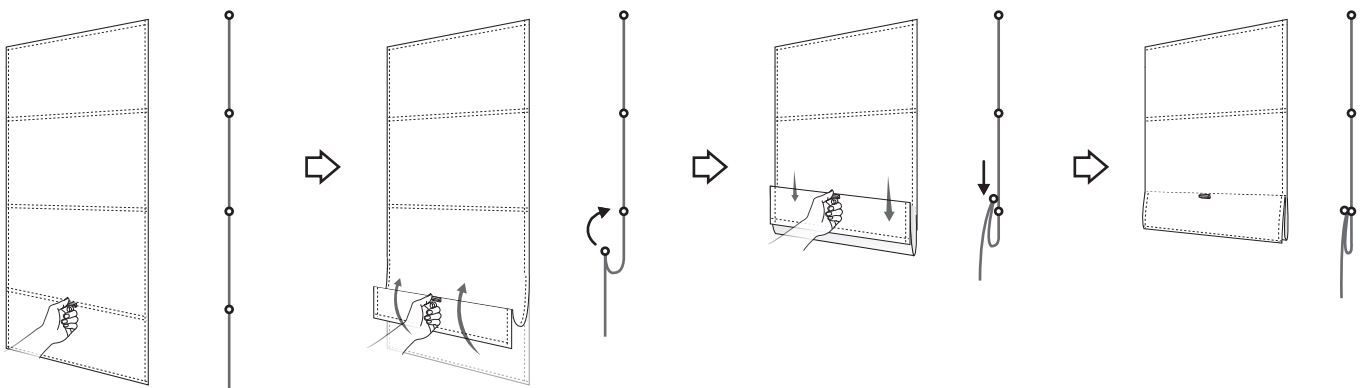
**4** Once the headrail is in position, lock the bracket by flipping the lock lever into the horizontal position.



**5** Use the handle to raise or lower the shade to the desired height.

**Raise the Shade :**

Use the handle and go a little above the row desired, and slide down until magnets attract. Keeping the shade leveled.



**Lower the Shade :**

Pull down on the handle to separate the magnet attraction.

