

# RF28HMEDBSR

28 cu. ft. 4-Door French Door Refrigerator with Counter Height FlexZone™ Drawer

## Features

- Large Capacity – 28 cu. ft.
- FlexZone™ Drawer with 4 Temperature Control Settings and Smart Divider
- Twin Cooling Plus™
- ENERGY STAR® Compliant
- Ice Master Ice Maker in the Refrigerator
- Premium External Filtered Water and Ice Dispenser
- High-Efficiency Top and Side LED Lighting
- Adjustable Shelf for Tall Oversized Items
- Stainless Steel Accents on Interior Shelving and Door Bins
- EZ-Open Handle™ on Freezer Door and FlexZone™ Drawer
- Two Humidity-Controlled Crispers
- Tempered Glass Spill-Proof Shelves
- Gallon Door Bins
- Auto Pull-Out Upper Freezer Drawer
- Easy-to-Access Water Filter

## Convenience

- CoolTight Door
- Water Filter Indicator
- Door Alarm



**ENERGY STAR® Rated:** CEE Tier 1  
(10% more efficient than Federal Standard)  
722 kWh/yr



Ice Master



FlexZone™ Drawer

## Available Colors



Stainless Steel



Black Stainless Steel



Black



White

## Signature Features

### FLEXZONE™ DRAWER

- Adjustable Smart Divider creates four flexible-size compartments.
- Four customizable temperature settings: meats at 29°F, cold drinks at 33°F, deli/snacks at 37°F, and party dishes at 42°F.
- Convenient, counter-height drawer easily accessible for kids.

### TWIN COOLING PLUS™

- Keeps food fresher longer – Twin Cooling Plus™ humidity levels up to 3.6x higher than single cooling.
- Refrigerator air is kept at higher, near commercial-grade humidity levels to keep perishable fruits and vegetables fresher longer.
- Drier freezer air means less freezer burn for better-tasting frozen foods.

### ICE MASTER

- Produces 10 lbs. of ice per day and stores 4.2 lbs.
- Space-saving design leaves more room in the refrigerator.



Ranked **“Highest in Customer Satisfaction with French Door Refrigerators, in a Tie.”**\*

—J.D. Power

**SAMSUNG**

# RF28HMEDBSR

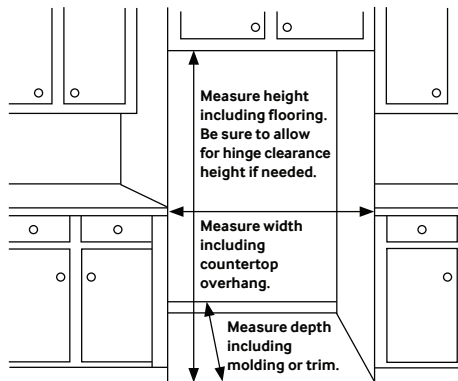
28 cu. ft. 4-Door French Door Refrigerator with Counter Height FlexZone™ Drawer

## Installing Your Refrigerator

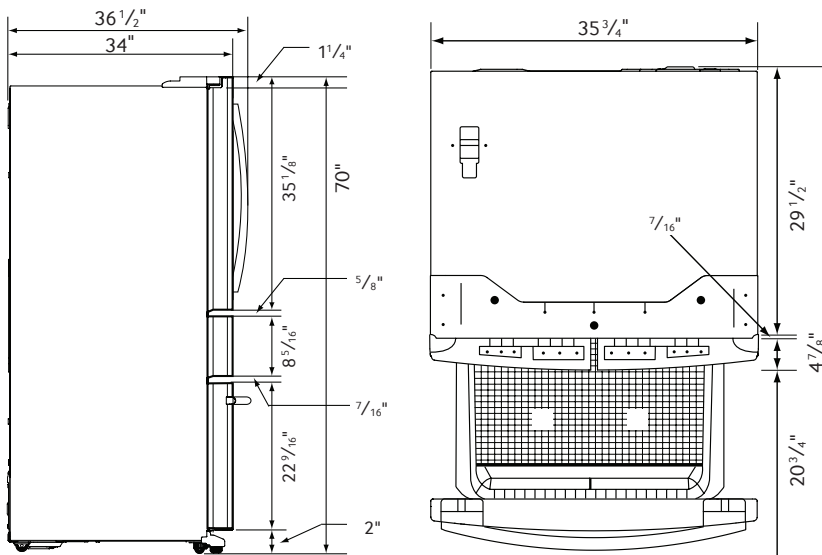
1. Measure the height, width and depth of the opening, making sure to include baseboards, molding tile, countertop overhang, etc. Check to be sure there is enough room to open the door (consider walls, islands or other obstacles when measuring).
2. Refer to illustration below to determine dimensions.
3. Allow 2.5" of clearance on hinge side of refrigerator when installing next to a wall where handle may make contact.
4. Allow 1" minimum clearance at rear for proper air circulation and water/electrical connections. Allow a 3/8" minimum clearance at sides and top for ease of installation.
5. Ensure each door and entryway in the home is wide enough for the refrigerator to be moved through easily.

**For optimal usage and to be able to open refrigerator doors completely, do not install next to a wall.**

Please note: The following dimension and cutout information is for planning purposes only. For complete installation details, consult manual packed with product, or download manual online at [samsung.com](http://samsung.com).



## Dimensions



## Total Capacity: 28.15 cu. ft.

### Refrigerator: 15.98 cu. ft.

- Premium External Filtered Water and Ice Dispenser
  - Crushed or Cubed Ice
- Ice Master Ice Maker
- 2 Humidity-Controlled Crispers
- 5 Tempered Glass Spill-Proof Shelves
- Adjustable Shelf for Tall Oversized Items
- 6 Clear Door Bins
  - Right Door: 3 Gallon Bins
  - Left Door: 3 Regular Bins
- High-Efficiency Top and Side LED Lighting

### FlexZone™ Drawer: 3.82 cu. ft.

- EZ-Open Handle™
- 4 Temperature Settings with Smart Divider:
  - Meat/Fish (29°F)
  - Cold Drinks (33°F)
  - Deli/Snacks (37°F)
  - Wine/Party Dishes (42°F)

### Freezer: 8.35 cu. ft.

- EZ-Open Handle™
- 1 Drawer Divider
- High-Efficiency LED Lighting

## Accessories

Water Filter: HAF-CIN

## Warranty

One (1) Year Parts and Labor on Refrigerator

Five (5) Years Parts and Labor on Sealed Refrigeration System Only\*

Ten (10) Years Parts and Five (5) Years Labor on Digital Inverter Compressor

\*Compressor, evaporator, condenser, drier, connecting tubing

## Product Dimensions & Weight

Dimensions (WxHxD with hinges, handles and doors): 35 3/4" x 70" x 36 1/2"

Dimensions (WxHxD without hinges and door): 35 3/4" x 68 7/8" x 29 3/8"

Dimensions (WxHxD with hinge and door, no handle): 35 3/4" x 70" x 34"

Weight: 374 lbs.

## Shipping Dimensions & Weight (WxHxD)

Dimensions: 38 1/4" x 76" x 36 7/8"

Weight: 403 lbs.

Color	Model #	UPC Code
Stainless Steel	RF28HMEDBSR	887276966052
Black Stainless Steel	RF28HMEDBSG	887276247458
White	RF28HMEDBWW	887276967653
Black	RF28HMEDBBC	887276967585



\*Samsung received the highest numerical score for French door refrigerators in a tie in the proprietary J.D. Power 2014 Kitchen Appliance Study<sup>SM</sup>. Study based on 15,380 total responses measuring 10 French door refrigerator brands and measures opinions of consumers about their new appliance purchased in the past 24 months. Proprietary study results are based on experiences and perceptions of consumers surveyed in January-March 2014. Your experiences may vary. Visit [jdpower.com](http://jdpower.com).

Actual color may vary. Design, specifications, and color availability are subject to change without notice. Non-metric weights and measurements are approximate.

©2017 Samsung Electronics America, Inc. 85 Challenger Road, Ridgefield Park, NJ 07660. Tel: 800-SAMSUNG. [samsung.com](http://samsung.com). Samsung is a registered trademark of Samsung Electronics Co. Ltd.