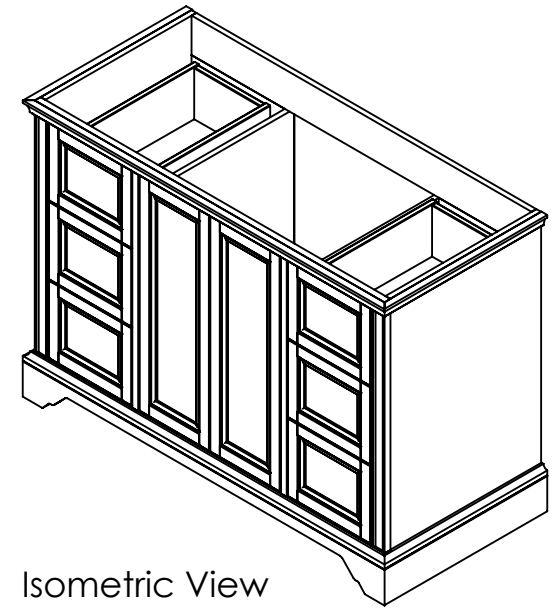
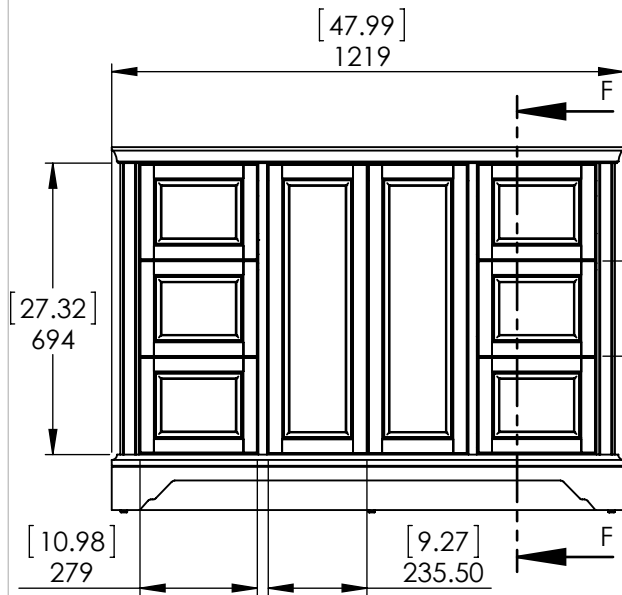


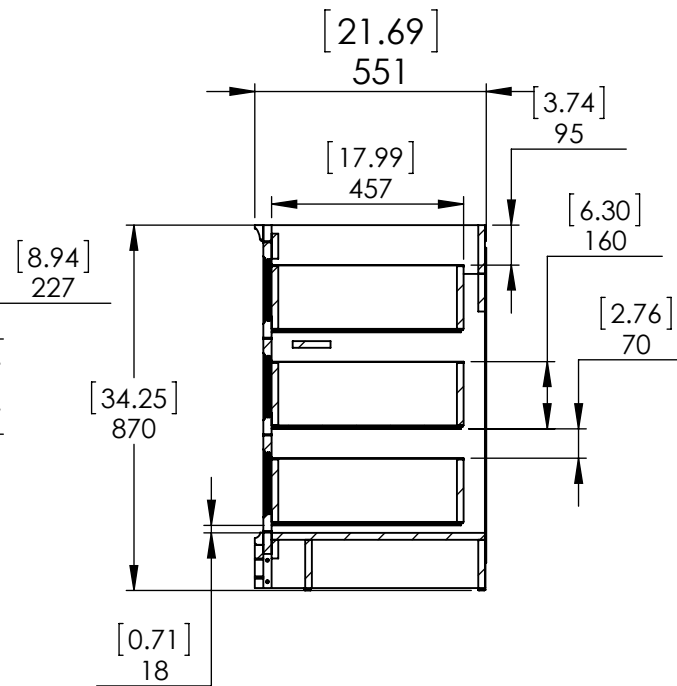
Top View



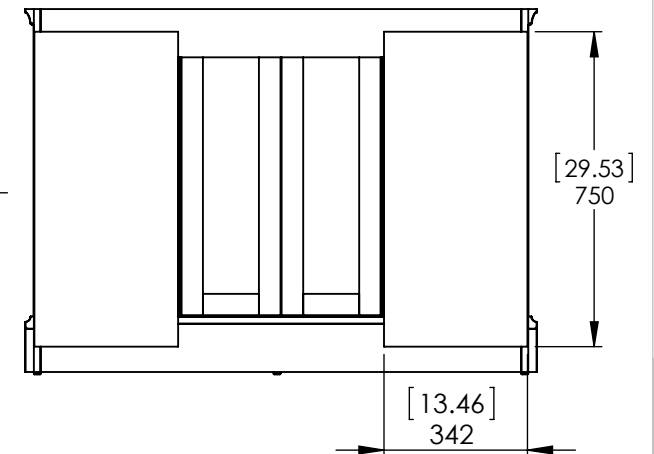
Isometric View



Front View



Section F-F Side View



Back View

ITEM: **SF48-WH SF48-CH**
SF48-ST SF48-CR REV: **A**

NAME: **Stratfield 48in Vanity - White/ Sterling/Chocolate/Cream**

MATERIAL: **German Beech 4/4 Laminated Particle Board**

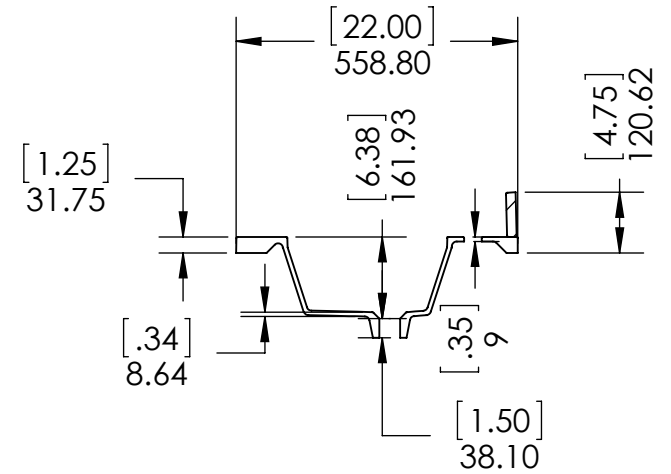
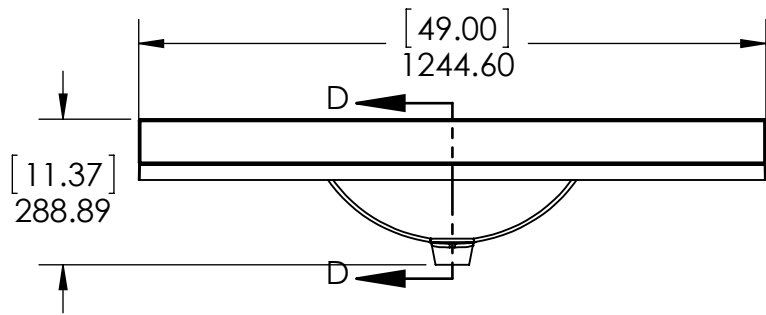
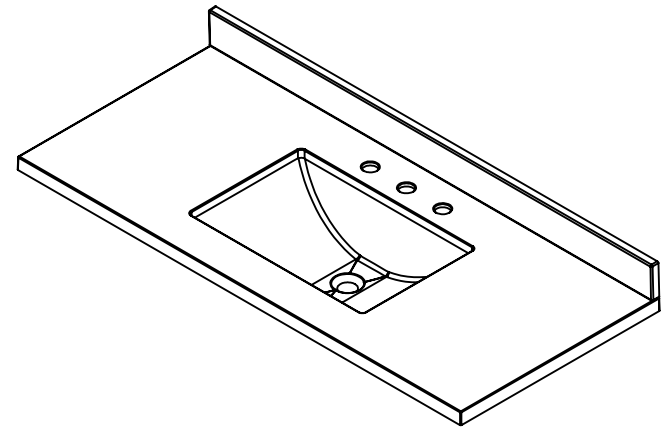
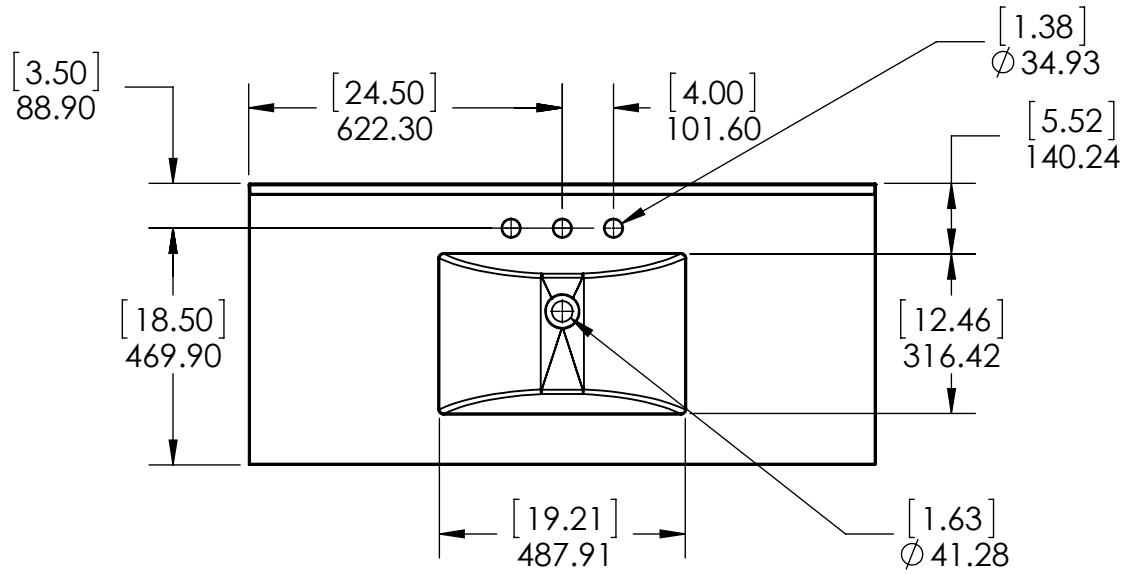


Propiedad y Confidencialidad
 La información contenida en este dibujo es puramente propiedad de Woodcrafters Home Products LLC. Queda prohibida cualquier reproducción parcial o total sin el permiso por escrito de Woodcrafters Home Product LLC.

DRW: ARB 03/28/18
 REV: ING 03/28/18
 APP: R&D 03/28/18
 SCALAE18 MODEL: **Stratfield 48in**

DRAWING TYPE	ITEM ID	ITEM DESCRIPTION	TECHNOLOGIES	DRAWING STATUS
Finish Good	SS49R-AH	Vtop Rect 49x22 SS Silver Ash Shark tank	Solid Surface	Ready for production

REV	ECO #	DESCRIPTION	REV'D BY DATE	CHK'D BY DATE	APRV'D BY DATE
1		Original	2/16/18	2/16/18	2/16/18



PROPRIETARY AND CONFIDENTIAL
 THE INFORMATION CONTAINED IN THIS DRAWING IS THE SOLE PROPERTY OF WOODCRAFTERS. ANY REPRODUCTION IN PART OR AS A WHOLE WITHOUT THE WRITTEN PERMISSION OF WOODCRAFTERS IS PROHIBITED.

UNLESS OTHERWISE SPECIFIED
 DIMENSIONS ARE IN MM. AND (INCHES)
 TOLERANCES ARE
 +0.125 [3.175] - 0.125 [-3.175]
 SCALE:1:10

	NAME	DATE
DRAWN	R. Rubio	1/27/16
CHECKED	R. Rubio	4/05/16
ENG APPR.	R. Rubio	4/05/16
MFG APPR.	C. Leal	4/05/16

Wood Crafters
 SIZE DWG. NO. **A** Vtop Rect 49x22 Solid Surface
 SHEET 1 OF 1
 REV: **1**