

GTW465ASN

GE® 4.5 DOE Cu. Ft. Capacity Stainless Steel Basket Washer

DIMENSIONS AND INSTALLATION INFORMATION (IN INCHES)

CIRCUIT REQUIREMENTS: An individual, properly-grounded branch circuit, with a three-prong grounding-type receptacle, protected by a 15 or 20 amp circuit breaker or a time-delay fuse, is required.

ELECTRICAL RATING:

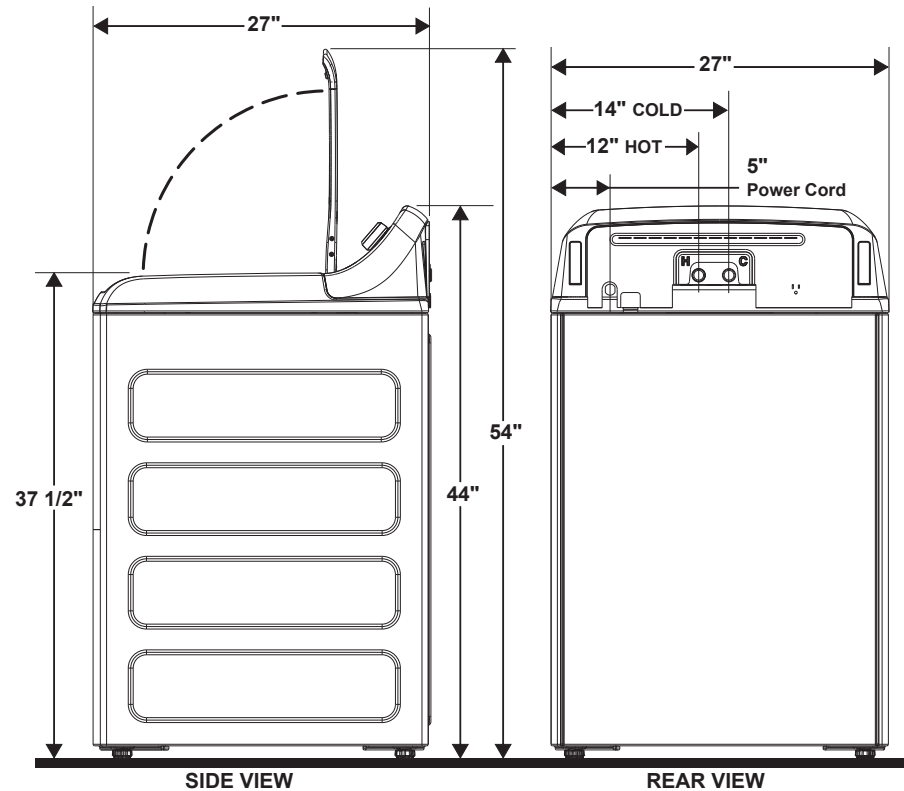
120V, 60Hz, 10A

WASHER NOTE:

Washer wall outlet must be located within 36" of service cord entry. Wall outlet must not be located behind dryer.

INSTALLATION INFORMATION:

Before installing, consult installation instructions packed with your washer.



For answers to your Monogram, GE Café™ Series, GE Profile™ Series or GE Appliances product questions, visit our website at geappliances.com or call GE Answer Center® Service, 800.626.2000.



Specification Created 1/19

GTW465ASN

GE® 4.5 DOE Cu. Ft. Capacity Stainless Steel Basket Washer

FEATURES AND BENEFITS

Deep Fill – Enjoy total control and customization of your water levels with the touch of a button that lets you add just a little extra water or fill the tub.

Deep Clean Cycle – Achieve the ultimate deep clean for your toughest laundry loads with 67% more cleaning power than the most commonly used cycle*. *Colors, Normal cycle

Speed Wash – Save time when you're in a hurry with a quick wash for lightly soiled items.

Deep Rinse – Ensure clothes are thoroughly rinsed free of detergent, fabric softener and other additives.

2nd Rinse – Ensure removal of detergent, bleach and other additives with an optional extra rinse after the wash cycle.

Auto Soak – Loosen stains by soaking for 15 minutes 30 minutes, one hour, or two hours for optimal stain removal.

Water Level/Load Size – Take the guesswork out of choosing the right water level with PreciseFill or manually select any water level for maximum cleaning performance.

Dual-Action Agitator – Achieve a thorough clean every time with an agitator that enables a reversing, powerful wash action.

700 RPM Spin Speed – Efficiently remove water and minimize drying time with a fast spin speed.

Made in America – This appliance is made in America and contains 70 to 90% U.S. content.

14 Wash Cycles – Choose from 14 wash cycles to accommodate any load type.

6 Water Temperatures – Pick the water temperature you prefer and wash your way.

Model GTW465ASNWW – White

