



**Count on it.**

**Parts Catalog**

**Flex-Force Power System™**

**41cm (16in) 60V MAX Chainsaw**

Model No. 51850T—Serial No. 32000001 and Up



# Ordering Replacement Parts

To order replacement parts, please supply the part number, the quantity, and the description of each part desired.

## Understanding Reference Numbers

Each identified part in an illustration has a reference number. The reference number for a part also appears in the parts list, along with other information about the part.

This catalog uses two special reference number formats, one to indicate parts in a service assembly and another to indicate the quantity of a given part in an illustration.

## Service Assembly Reference Numbers

Parts in service assemblies have reference numbers in the form a:b. The a represents the reference number of the entire service assembly and the b represents a sequential number unique to each part within the service assembly.

For example, a wheel assembly might be identified by reference number 6, the tire by 6:1, the valve by 6:2, and the wheel by 6:3. When you order the assembly identified by reference number 6, you receive all parts identified by reference numbers 6:1, 6:2, and 6:3. However, you may also order any part individually. Reference numbers of this type appear in illustration and in parts lists.

## Reference Numbers Indicating Quantity

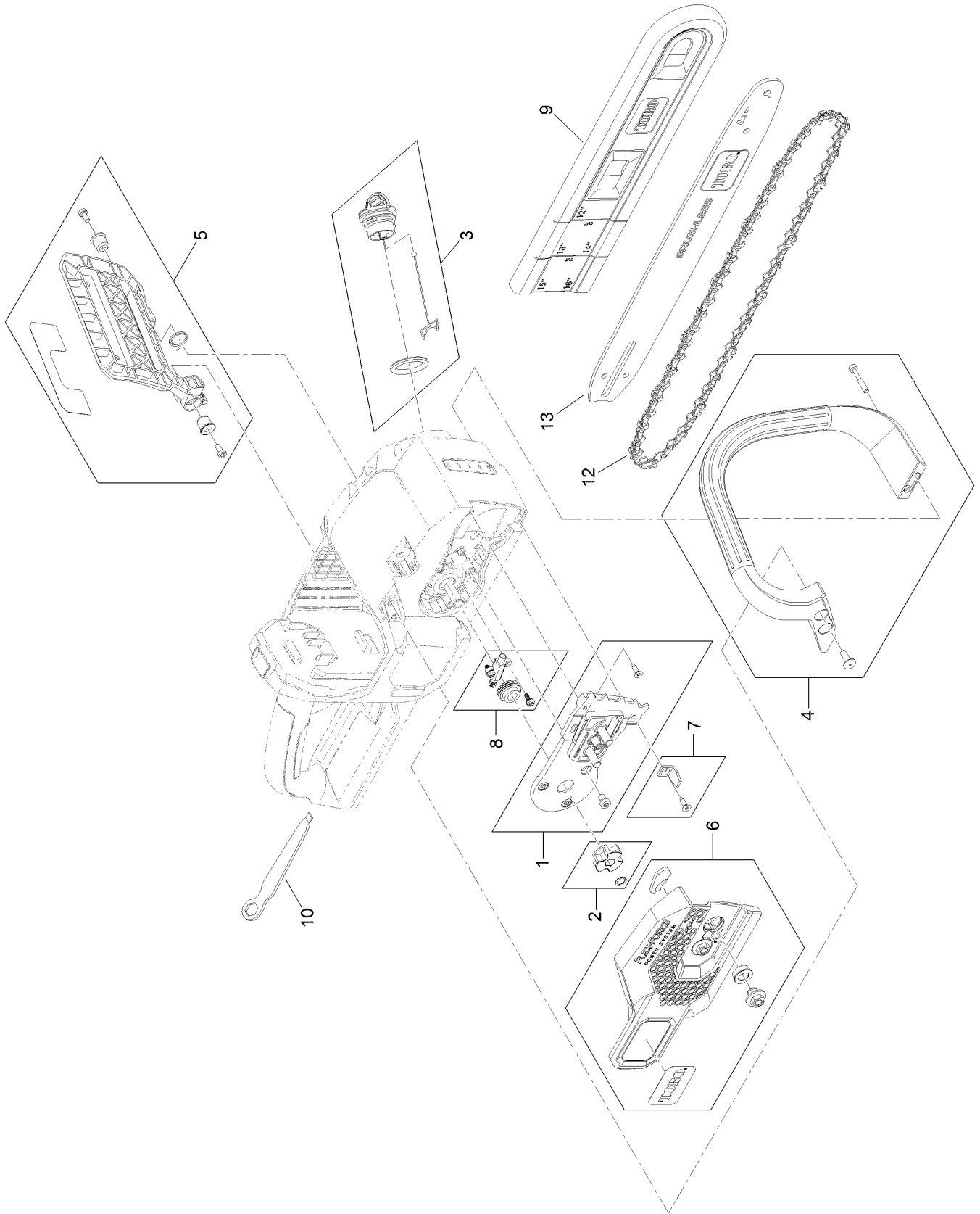
In an illustration, if a reference number indicates more than one part, the reference number has the form nX y. The n represents the quantity of the part, the X is the multiplication symbol, and the y represents the reference number.

For example, in an illustration, the reference number 2X 37 means that two of the parts identified by reference number 37 are indicated.

# Contents

16in Cordless Chainsaw Assembly .....	4
Attachments and Accessories .....	6

# 16in Cordless Chainsaw Assembly



# 16in Cordless Chainsaw Assembly (continued)

<i>Ref.</i>	<i>Part Number</i>	<i>Qty.</i>	<i>Description</i>	<i>Ref.</i>	<i>Part Number</i>	<i>Qty.</i>	<i>Description</i>
1	140-8407	1	Adjuster Bar Bracket ASM	8	140-8414	1	Oil Pump ASM
2	140-8406	1	Drive Gear ASM	9	140-8443	1	Bar-Sleeve, Chainsaw
3	140-8403	1	Oil Cap ASM	10	140-8444	1	Tool-Adjustment, Bar
4	140-8404	1	Handle ASM	12	88613	1	Bar-Replacement
5	140-8405	1	Chain Brake ASM	13	88614	1	Chain-16In
6	140-8413	1	Bar Cover ASM				
7	140-8440	1	Bar Cover Support Bracket ASM				

# Attachments and Accessories

## For 51850T Flex-Force Power System 41cm (16in) 60V MAX Chainsaw

<b>Product Name</b>	<b>Model/Part</b>
Toro Premium Bar and Chain Oil (1 Qt Bottle).....	38914
Toro Premium Bar and Chain Oil (1 Gal).....	38917
60V Cordless Blower (Bare Tool).....	51820T
60V Cordless Trimmer (Bare Tool).....	51830T
60v 24in Max Hedge Trimmer (Bare Tool).....	51840T
60V Battery Charger 2 AMP .....	88602
Replacement Bar .....	88613
Chain-16in .....	88614
60V LI-ION Battery 2.5 AH.....	88625
60V LI-ION, Battery 4.0 AH .....	88640
60V LI-ION Battery 6.0 AH.....	88660
60V LI-ION Battery 7.5 AH.....	88675

**Notes:**



**Count on it.**