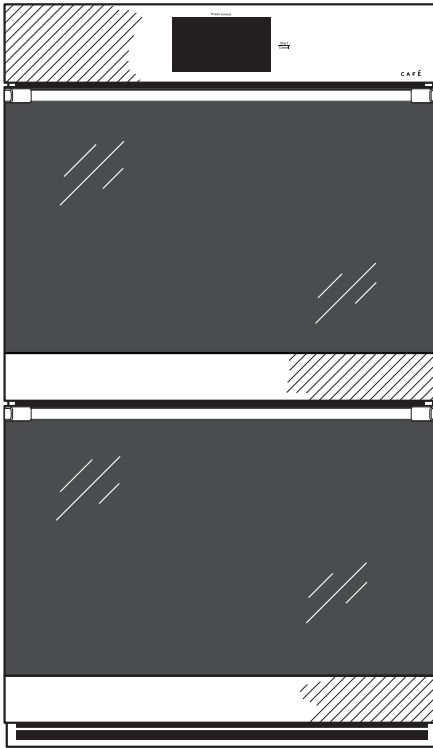


# Café™ Minimal Series 27" Built-In Double Electric Convection Wall Oven

CKD70DM2NS5

# CAFÉ

DISTINCT BY DESIGN™



## FEATURES & BENEFITS

Brighten up life in the kitchen - Easily navigate wall oven settings using a stunning full color display that adds an unexpected touch of style to your kitchen

Enjoy convenient temperature control from anywhere - Preheat while running errands or change oven temperatures while doing yard work with the Café Appliances Kitchen app

Achieve twice the delicious results - Cook more dishes at once and achieve perfectly even results with two convection ovens at your disposal

The oven rack that handles it all - Easily remove heavy dishes with a roller rack that is specially designed to glide smoothly and stay in the oven during the self-clean cycle, so you never have to handle cumbersome racks again

Prepare foods to perfect doneness - Get roasts and meats just right with a temperature probe that lets you monitor progress on the wall oven screen, eliminating the need to open the oven door during cooking

Clean up has never been easier - Keep your oven looking like new at all times with a steam clean option for small spills and a self clean cycle for larger messes

Create a look that matches your personal style - Select any combination of premium finishes and hardware options to create a stunning look customized to any owner's taste

The perfect fit you've always dreamed of - When you're updating your kitchen, attention to detail is a priority. That's why Café wall ovens are guaranteed for an exact fit or Café Appliances will pay up to \$300 toward modifications.

## APPEARANCE

|                        |                                       |
|------------------------|---------------------------------------|
| Color Appearance       | Platinum                              |
| Frameless Oven Door(s) | Stainless Steel                       |
| Oven Door Features     | Big View Oven Window                  |
| Handle                 | Café Minimal Style; Brushed Stainless |
| Installation           | Above Warming Drawer; Side-by-Side    |

## FEATURES

|                           |   |
|---------------------------|---|
| Configuration             | Double Oven   |
| Cooking System            | True European Convection (Upper)  |
| Oven Cleaning Type        | Self-Clean with Steam Clean Option  |
| Cleaning Time             | Variable with Delay Clean Option  |
| Oven Cooking Modes        | Convection Bake; Convection bake Multi-Rack; Convection Roast; Thermal Bake; Thermal Broil Hi/Lo; Keep Warm; Proof; Scan-to-cook  |
| Self-Clean Oven Door Lock | Automatic   |
| Control Type              | 7" Full-Color Touch LCD Screen  |
| Oven Features             | 8-Pass Broil Element; 10-Pass Bake Element; Closed Door Broiling  |
| Oven Rack Features        | 2 Never Scrub Roller Rack; 2 Never Scrub Flat Rack; 6 Embossed Rack Positions per oven  |
| Oven Control Features     | 12-Hour Shut-Off Capability; Audible Preheat Signal; Auto Recipe Conversion; C° or F° Programmable; Certified Sabbath Mode; Control Lock Capability; Cook Time; Delay Time; Electronic Clock & Kitchen Timer; Remote Enabled; Temperature Probe |
| WiFi Connect              | Built-In  |
| Connected Capabilities    | Amazon Alexa; The Google Assistant; IFTTT; Nest; Drop; Innit  |
| Cooking Technology        | Convection Upper; Traditional Lower   |
| Oven Interior             | 2 Halogen Interior Oven Lights (Both Ovens); Black Gloss Finish; Hidden Bake  |

## CAPACITY

|                             |                       |
|-----------------------------|-----------------------|
| Capacity (Cu. Ft.)          | 4.3 Upper / 4.3 Lower |
| Total Capacity (cubic feet) | 8.6 cu ft             |

## POWER / RATINGS

|                    |       |
|--------------------|-------|
| Amp Rating at 208V | 40    |
| Amp Rating at 240V | 40    |
| Bake Wattage       | 2600W |
| Broiler Wattage    | 3400W |
| Convection Wattage | 2400W |
| KW Rating at 208V  | 5.4   |
| KW Rating at 240V  | 7.2   |

## WEIGHTS & DIMENSIONS

|                                     |                          |
|-------------------------------------|--------------------------|
| Approximate Shipping Weight         | 245 lb                   |
| Net Weight                          | 224 lb                   |
| Overall Height                      | 51-1/8 in                |
| Overall Width                       | 26-3/4 in                |
| Overall Depth                       | 26-5/8 in                |
| Cabinet Width                       | 27 in                    |
| Cutout Dimensions (w x h x d) (in.) | 25-1/4 x 50-1/8 x 23-1/2 |
| Oven Interior Dimensions (lower)    | 21-1/2 x 17-1/4 x 20     |
| Oven Interior Dimensions (upper)    | 21-1/2 x 17-1/4 x 20     |

## OPTIONAL ACCESSORIES

|                                    |            |
|------------------------------------|------------|
| 27" Never Scrub Roller Rack        | UXWORXR27  |
| Large Broiler Pan                  | WB48X10056 |
| 60" Replacement Electrical Conduit | WB18T10574 |
| 72" Replacement Electrical Conduit | WB18T10580 |

# Café™ Minimal Series 27" Built-In Double Electric Convection Wall Oven

CKD70DM2NS5

# CAFÉ

DISTINCT BY DESIGN™

## WARRANTY

|                |                                       |
|----------------|---------------------------------------|
| Parts warranty | Limited 1-year entire appliance       |
| Labor warranty | Limited 1-year entire appliance       |
| Warranty notes | See written warranty for full details |

## DIMENSIONS AND INSTALLATION INFORMATION

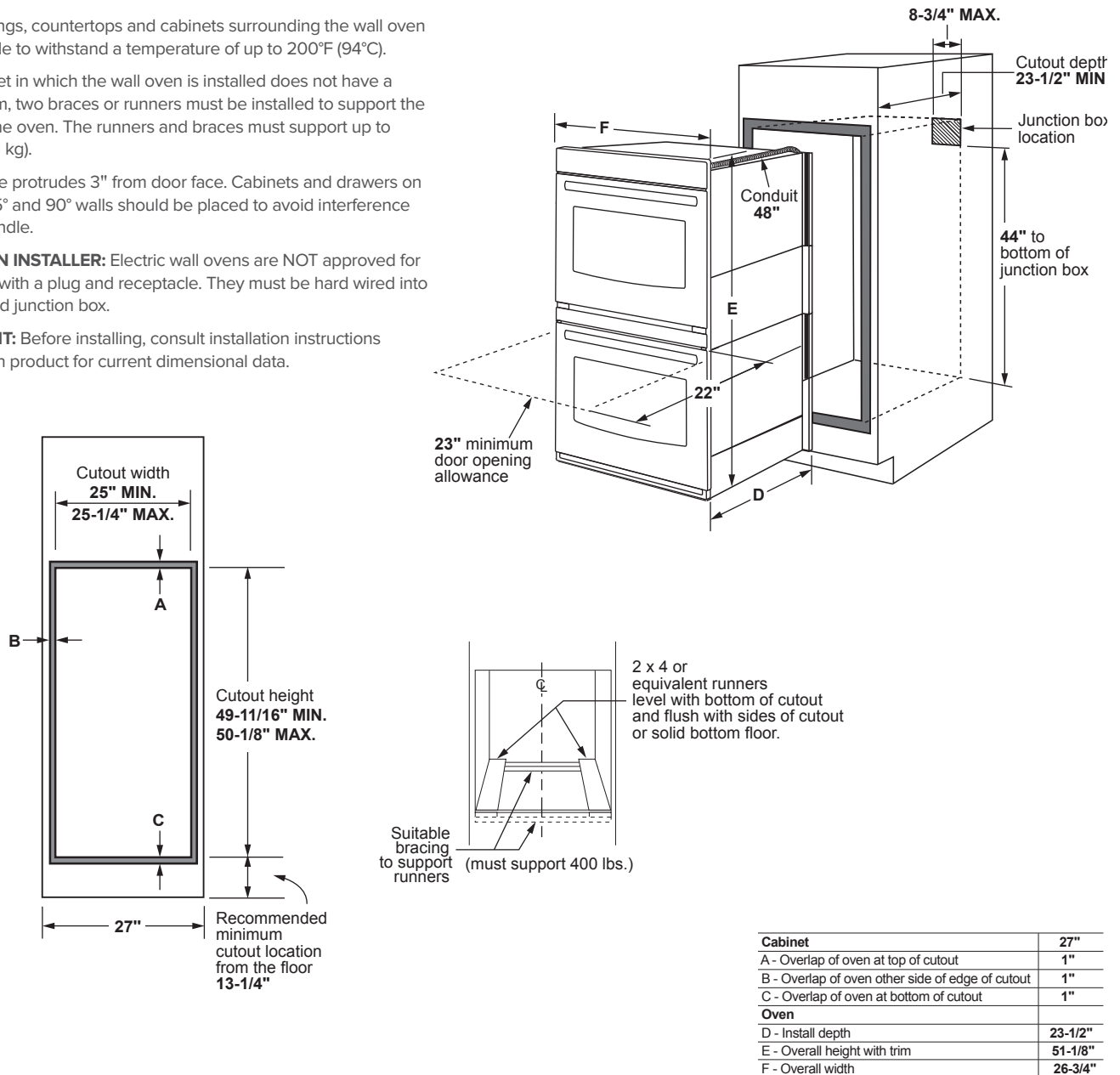
Wall coverings, countertops and cabinets surrounding the wall oven must be able to withstand a temperature of up to 200°F (94°C).

If the cabinet in which the wall oven is installed does not have a solid bottom, two braces or runners must be installed to support the weight of the oven. The runners and braces must support up to 400 lbs (181 kg).

Door handle protrudes 3" from door face. Cabinets and drawers on adjacent 45° and 90° walls should be placed to avoid interference with the handle.

**ATTENTION INSTALLER:** Electric wall ovens are NOT approved for installation with a plug and receptacle. They must be hard wired into an approved junction box.

**IMPORTANT:** Before installing, consult installation instructions packed with product for current dimensional data.



Dimension and installation information are shown in inches.

# Café™ Minimal Series 27" Built-In Double Electric Convection Wall Oven

CKD70DM2NS5

# CAFÉ

DISTINCT BY DESIGN™

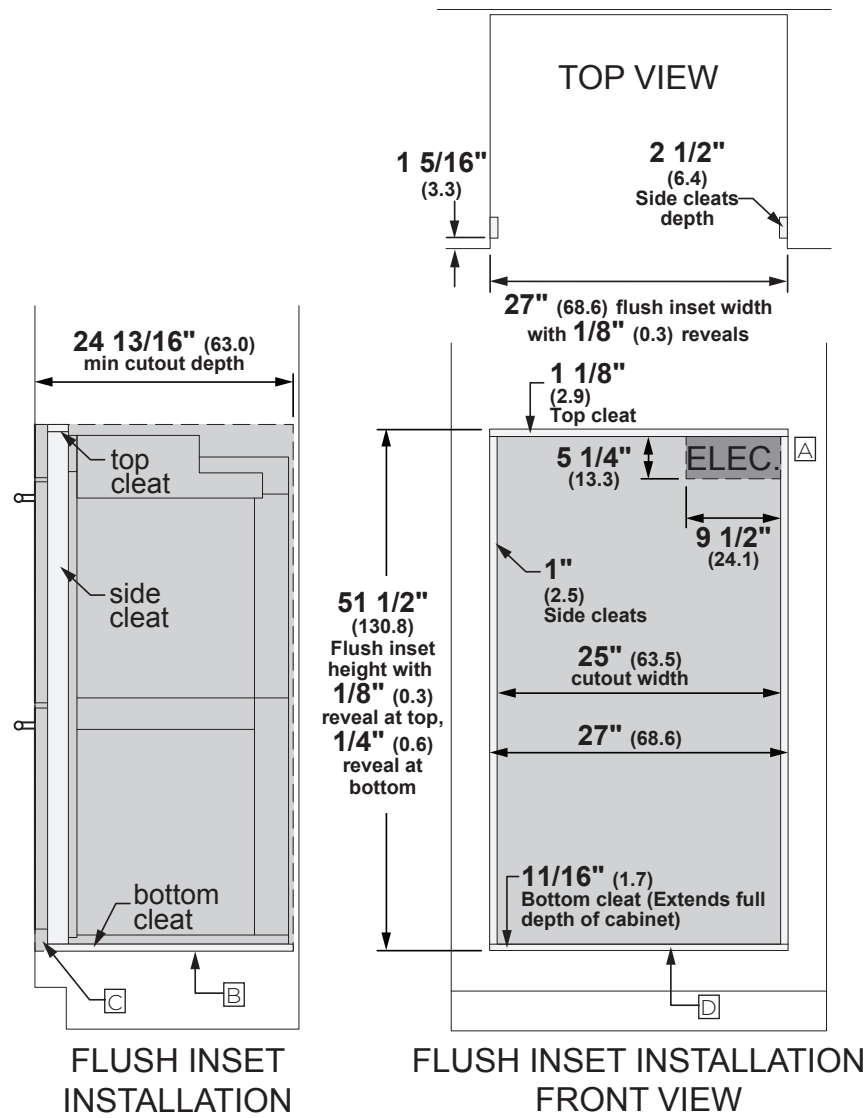
## FLUSH INSET DIMENSIONS AND INSTALLATION INFORMATION

### NOTES:

- A** Junction Box location (may also be located in an adjacent cabinet).
- B** Platform must be able to support 400 lbs (181 kg).
- C** Cabinet surfaces must be an appearance finished surface for flush installation.
- D** Cleats may be visible and should be finished to match cabinetry.

**ATTENTION INSTALLER:** Electric wall ovens are NOT approved for installation with a plug and receptacle. They must be hard wired into an approved junction box.

**IMPORTANT:** Before installing, consult installation instructions packed with ALL products for current dimensional and combination data.



Allow  $\frac{1}{8}$ " (0.3) clearances from side edges of oven door.

Dimension and installation information are shown in inches.