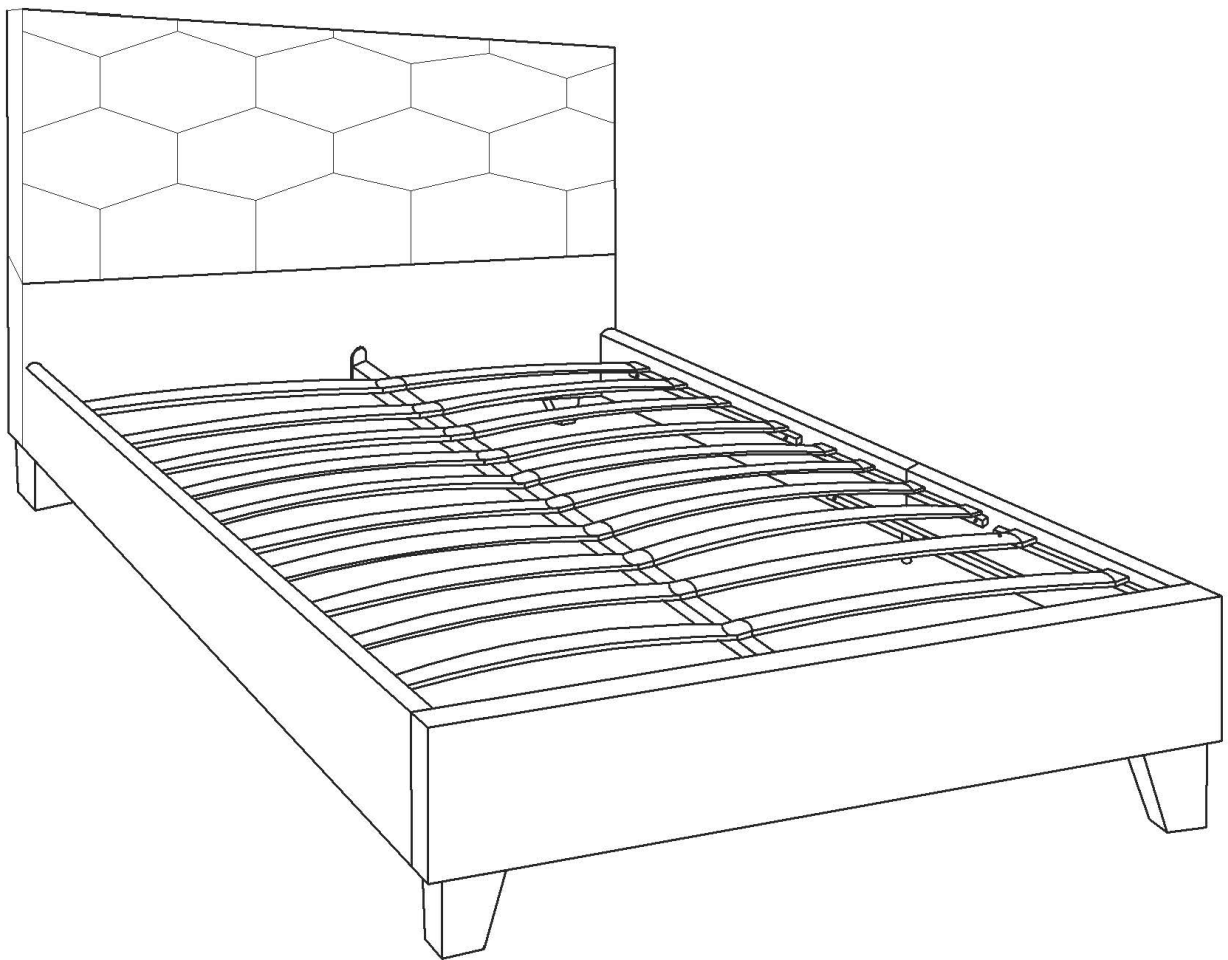




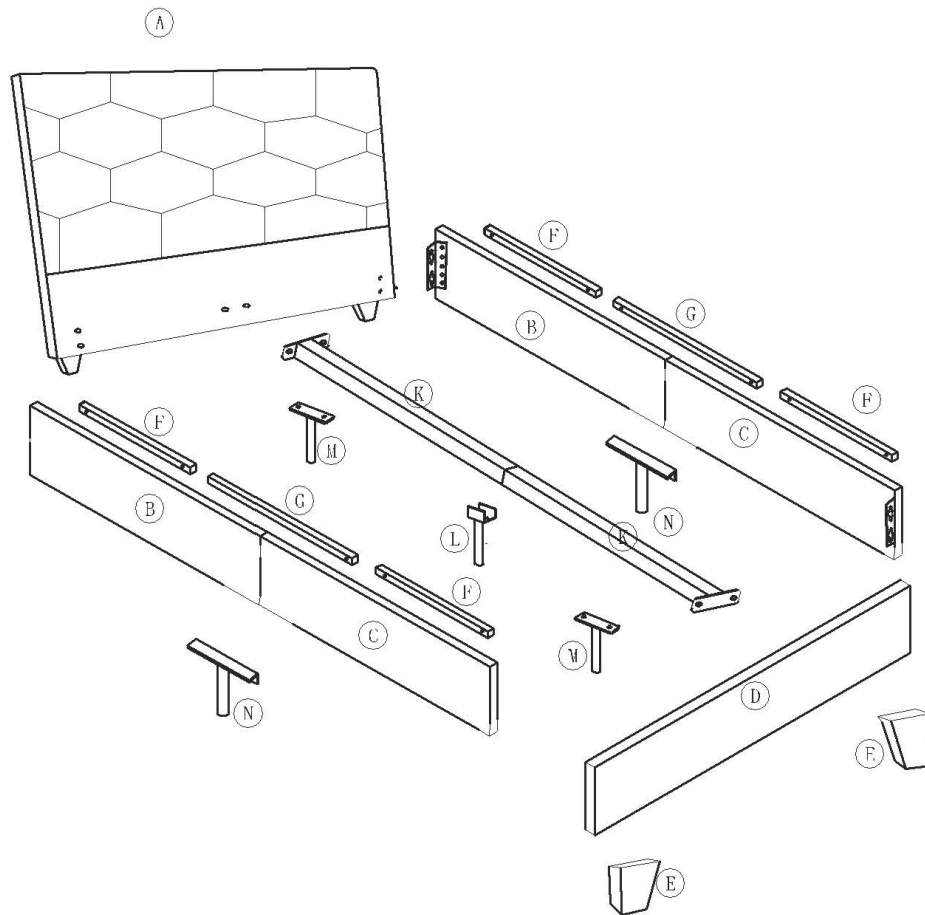
Hodedah
www.hodedah.com
support@hodedah.com

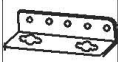




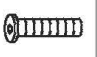










HI516



Hodedah
www.hodedah.com
support@hodedah.com



1	Hook		4PCS
2	Allen Key 5mm		1PCS
3	Flat Washer		8PCS
4	Spring Washer		8PCS
5	Bolt M8*16		8PCS
6	Bolt M8*50		4PCS
7	Bolt M6*25		6PCS

8	Side Slat		24PCS
9	Slat		24PCS
10	Center Slat Connector		12PCS
11	Bolt M6*35		12PCS
12	Bolt M6*16		14PCS
13	Allen Key 4mm		1PCS
14	Bolt M8*25		8PCS



Hodedah

www.hodedah.com
support@hodedah.com

- This product contains small components, please ensure that they are kept away from small children.
- THIS INSTRUCTION BOOKLET CONTAINS **IMPORTANT** SAFETY INFORMATION. PLEASE READ AND KEEP FOR FUTURE REFERENCE.



DO NOT RETURN PRODUCT TO THE STORE.

If a part **is** missing or damaged, email our customer service. We will gladly ship your replacement parts **FREE** of charge.

Need Parts or Assistance?

email us at

support@hodedah.com

For prompt, reliable service; please have your assembly manual ready.



Hodedah
www.hodedah.com
support@hodedah.com

Thank you for purchasing from Hodedah

**To learn more about hodedah and our products visit
www.hodedah.com**

READ BEFORE BEGINNING ASSEMBLY

- Read each step carefully. It is very important that each step of instruction is performed in the correct order. If these steps are not followed in sequence, assembly difficulties will occur.
- Make sure all parts are included. Most parts are labeled or stamped on the raw edge.
- Work in spacious area, preferably on a carpet, near the place the unit will be used.
- Do not use power tools to assemble your furniture. Power tools may strip or damage the parts.

HELPFUL HINTS

- Call us if you need assistance.
- Move your new furniture carefully, with two people lift and carry the unit to it's new location.
- Never push, drag or pull your furniture (especially on carpet).

Warranty Information

Hodedah warrants this product to be free from defects in material and workmanship agrees to remedy any such defect. This warranty covers one year from the date of original purchase. This is solely limited to be repair or replacement of defective parts and no assembly labor is included.

This warranty does not apply to any product which has been improperly assembled, subjected to misuse or abuse or which has been altered or repaired in any way.

To obtain warranty service, purchaser must present original bill of sale. Components repaired or replaced warranted through the remainder of the original warranty period only. The defective components will be repaired or replaced without charge, subject to the terms and conditions described above.

For help with assembly, identifying parts, product information or to order parts, please contact us:

Call us at:
718 - 456 - 0505
Monday - Friday
9:00 am - 5:00 pm

Visit our website:
www.hodedah.com

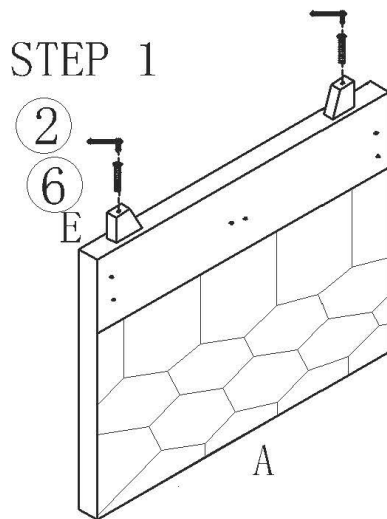


Hodedah

www.hodedah.com
support@hodedah.com

STEP 1

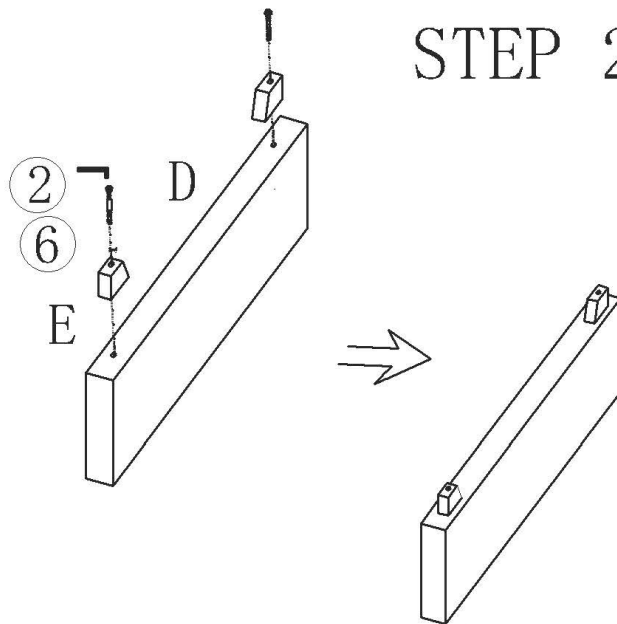
Use Allen Key, part (2), to secure bolts, parts (6), to connect, part (E), to, part (A).

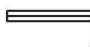




2	Allen Key 5mm		1PC
6	Bolt M8*50		2PCS
E	Leg		2PCS

STEP 2

Use Allen Key, part (2), to secure bolts parts (6), to connect, part (E), to part (D).



2	Allen Key 5mm		1PC
6	Bolt M8*50		2PCS
E	Leg		2PCS

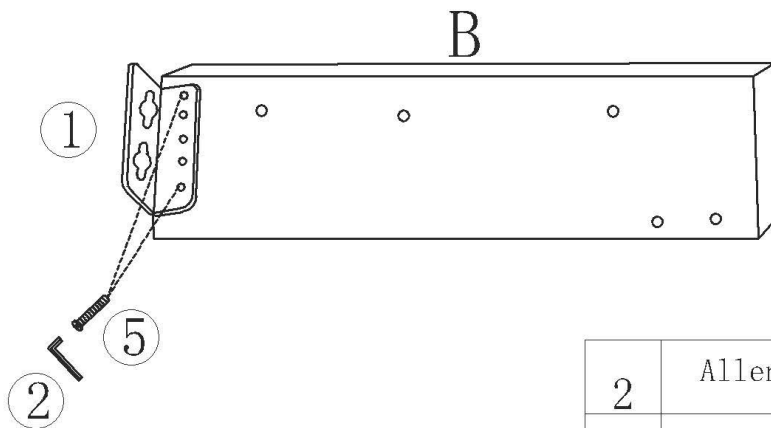



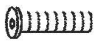

Hodedah

www.hodedah.com
support@hodedah.com

STEP 3

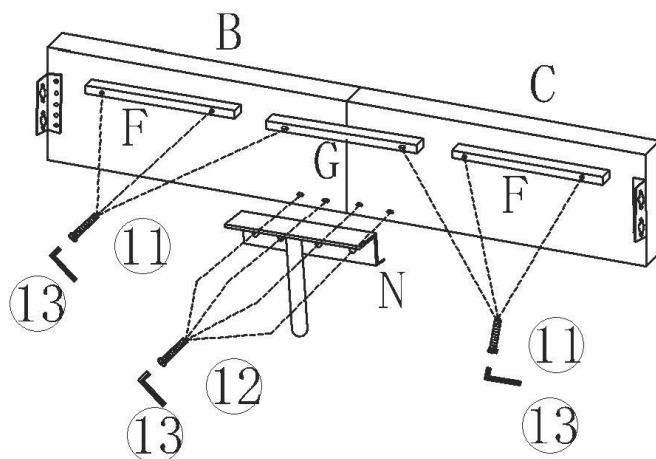
Use Allen Key, part (2), to secure bolts, parts (5), into hook, part (1), then into board (B).









2	Allen Key 5mm		1PC
5	Bolt M8*16		2PCS
1	Hook		1PCS

STEP 4

1) Use Allen Key, part (13), to secure bolts, parts (11), to connect, parts (F) and (G), to boards (B) and (C).



2) Use Allen Key, part (13), to secure bolts, parts (12), to connect, part (N), underneath part (G).

F	Cleat		2PCS
G	Cleat		1PCS
N	Support Leg for Side Rail		1PCS
11	Bolt M6*35		6PCS
12	Bolt M6*16		4PCS
13	Allen Key 4mm		1PCS

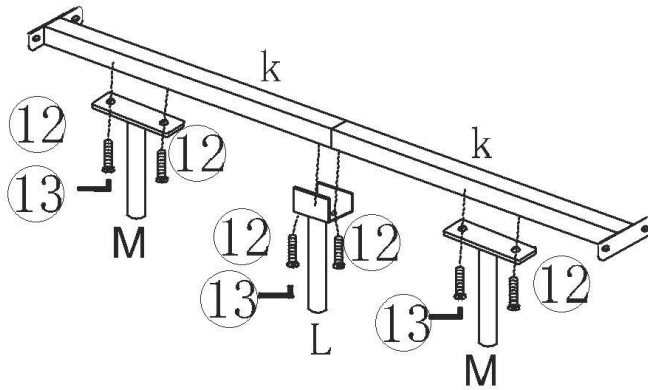


Hodedah

www.hodedah.com
support@hodedah.com

STEP 5

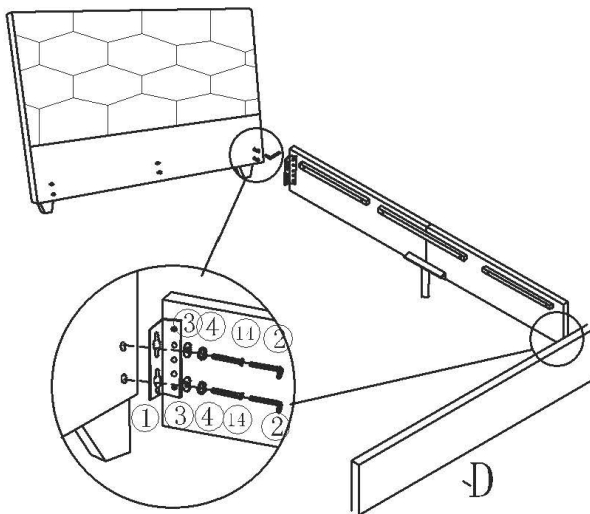
Use Allen Key, part (13), to secure bolts, parts (12), to connect, parts (M) and (L), to part (K).



12	Bolt M6*16		6PCS
13	Allen Key 4mm		1PCS
M	Support Leg		2PCS
L	Support Leg		1PCS

STEP 6

Connect one of each, parts (3) and (4), to bolts, parts (14), Then use Allen Key, part (2), to connect bolts through hook, part (1), to Headboard and Footboard.



3	Flat Washer		4PCS
4	Spring Washer		4PCS
14	Bolt M8*25		4PCS
2	Allen Key 5mm		1PCS



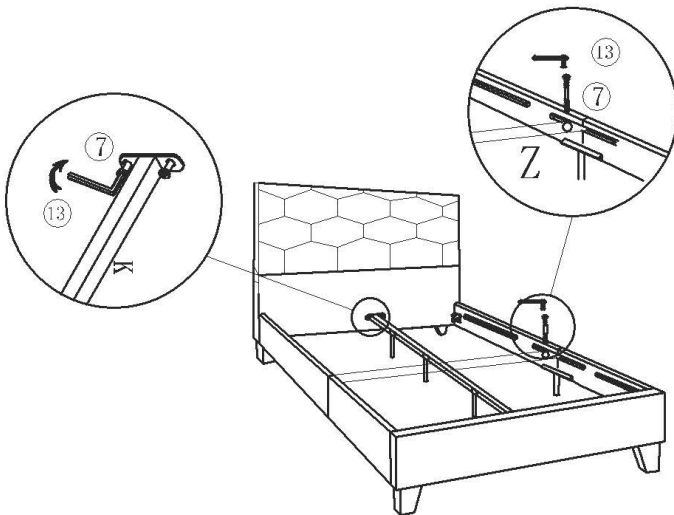
Hodedah





www.hodedah.com
support@hodedah.com

STEP 7

Use Allen Key, part (13), to secure bolts, parts (7) 4pcs, to connect, part (K), to parts HB&FB.

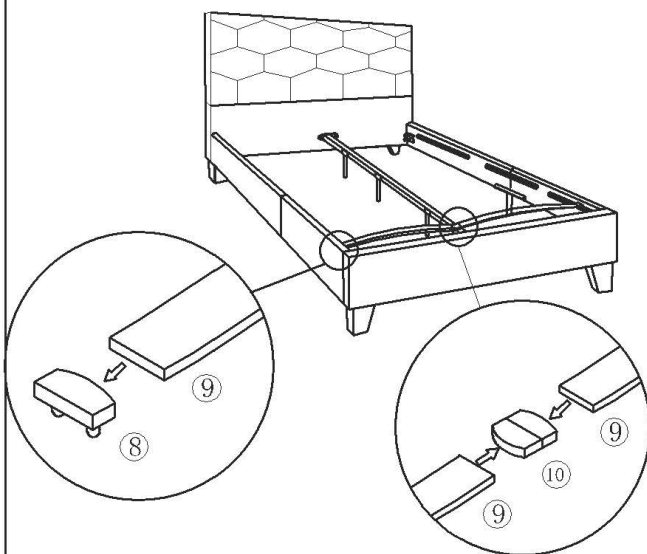
Use Allen Key, part (13), to secure bolts, parts (7) 2pcs, to connect, part (Z), to side rails.

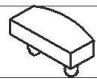

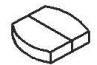


Z	CROSS BAR		1PC
13	Allen Key 4mm		1PC
7	Bolt M6*25		6PCS
K	Center Support Rail		1PC

STEP 8

Connect one of each slat, part (9), with one, part (8), Then connect, part (9), to part (10)



8	CONNECTOR		24PCS
9	Slat		24PCS
10	Center Slat Connector		12PCS