



Buy it for looks. Buy it for life.®

DESCRIPTION

- Duralock™ quick connect installation
- Metal construction with various finishes identified by suffix
- 1/2" IPS connections
- Includes non-metal pop-up waste assembly

OPERATION

- Lever style handles
- Hot side counterclockwise to open (clockwise to close)
- Cold side clockwise to open (counterclockwise to close)


FLOW

- Water usage is limited to these maximum flow rates as indicated by the corresponding product markings
 - 1.2 gpm max (4.5L/min) at 60 psi

CARTRIDGE

- 1234 cartridge design
- Nonmetallic and stainless steel material

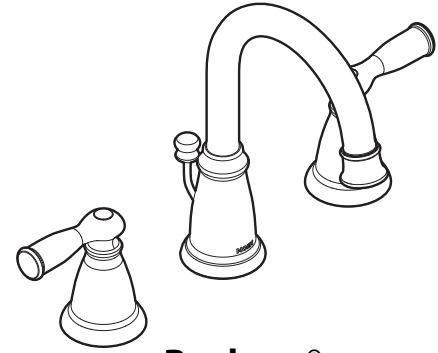
STANDARDS

- Third party certified to WaterSense®, ASME A112.18.1/CSA B125.1 and all applicable requirements referenced therein
- Certified to NSF 61/9 & 372
- Products marked with 1.2 gpm are compliant with California water efficiency regulations
- Complies with California Proposition 65 and with the Federal Safe Drinking Water Act
- **ADA**  for lever handles

WARRANTY

- Lifetime limited warranty against leaks, drips and finish defects to the original consumer purchaser
- 5 year warranty if used in commercial installations

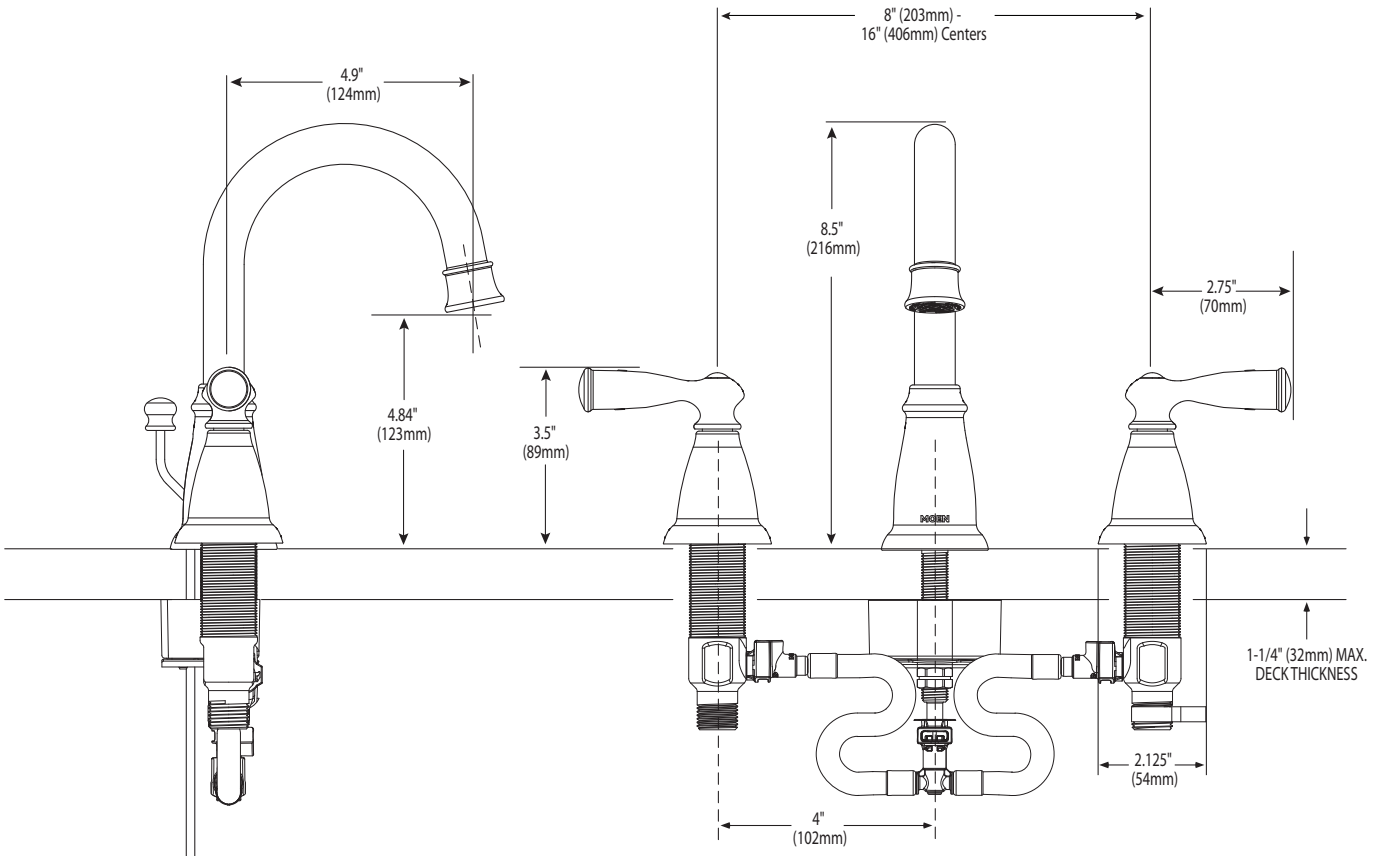
Specifications



Banbury® Two-Handle Widespread Lavatory Faucet

Models: WS84924 series

NOTE: SPOUT INSTALLS THROUGH 1-1/8" MIN. DIA. HOLE. VALVES INSTALL THROUGH 1-1/8" MIN. DIA. HOLE. For Deck Thickness 1-3/8" to 3", use service kit number 115001. Valves install through 1-1/4" dia. hole.



CRITICAL DIMENSIONS

(DO NOT SCALE)

FOR MORE INFORMATION CALL: 1-800-BUY-MOEN

www.moen.com

Banbury® Technical Specification

18" & 24" Towel Bars

Y2618 & Y2624

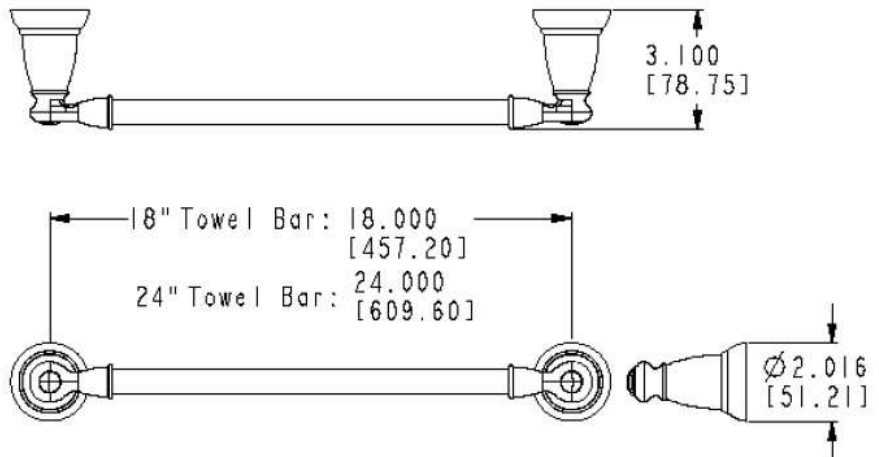
Stock Numbers:

- ❑ Y2618BN – 18" Towel Bar
Brushed Nickel Finish
- ❑ Y2624BN – 24" Towel Bar
Brushed Nickel Finish
- ❑ Y2618BRB – 18" Towel Bar
Mediterranean Bronze Finish
- ❑ Y2624BRB – 24" Towel Bar
Mediterranean Bronze Finish
- ❑ Y2618CH – 18" Towel Bar
Chrome Finish
- ❑ Y2624CH – 24" Towel Bar
Chrome Finish

Materials:

Towel Bar post is die cast from highest quality zinc alloy (Zamac). Casting is plated Chrome, Brushed Nickel or Mediterranean Bronze. **Towel Bar** is aluminum for Brushed Nickel and Chrome finishes and stainless steel for Mediterranean Bronze.

Dimensions:



Installation Instructions:

1. Position the mounting template on the wall in the desired location.
2. Using a level, align the template and tape it to the wall.
3. Drill two 5/16" holes at each mounting plate location that corresponds to your product.
4. We recommend using the horizontal holes for drywall installation.
5. Remove the template from the wall.
6. Fold ends of the plastic toggle together and insert into each hole in the wall.
7. Lightly tap anchors until flush with the wall.
8. One at a time, insert plastic pin into each of the anchors and lightly tap to activate anchor.
9. Remove pin and repeat on all anchors.
10. One at a time, place each mounting plate over anchors (notch facing downward) and insert screws through plate into anchors.
11. Tighten screws.
12. Assemble the Towel Bar and posts.
13. While assembled, position each end post with setscrews facing down and place over both mounting plates. Tighten the setscrews.

Cleaning Instructions:

To preserve the fine finish of this product, clean only with a soft damp cloth. Dry well. Do not use commercial or abrasive cleaners.

Stock Number: _____ **Towel Bar**
By Creative Specialties



25300 AL MOEN DRIVE • NORTH OLMSTED, OH 44070
CORPORATE HEADQUARTERS: (800) 321-8809 • FAX: (800) 848-6636
INTERNATIONAL: (440) 962-2000 • FAX: (440) 962-2726
CUSTOMER SERVICE (USA): 800-882-0116 • FAX: (888) 379-2720
WWW.MOEN.COM

©Copyright Creative Specialties International

Literature # BA1442

Banbury® Technical Specification

Pivoting Paper Holder

Y2608

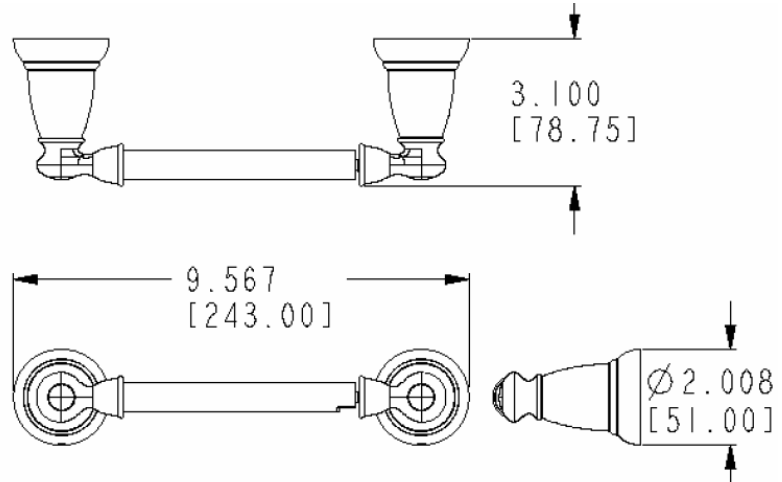
Stock Numbers:

- ❑ **Y2608BN – Pivoting Paper Holder**
Brushed Nickel Finish
- ❑ **Y2608BRB – Pivoting Paper Holder**
Mediterranean Bronze Finish
- ❑ **Y2608CH – Pivoting Paper Holder**
Chrome Finish

Materials:

Pivoting Paper Holder post is die cast from highest quality zinc alloy (Zamac). Casting is plated Chrome, Brushed Nickel or Mediterranean Bronze. The **Pivoting Paper Holder arm** is stainless steel.

Dimensions:



Installation Instructions:

1. Position the mounting template on the wall in the desired location.
2. Using a level, align the template and tape it to the wall.
3. Drill two 5/16" holes at each mounting plate location that corresponds to your product.
4. We recommend using the horizontal holes for drywall installation.
5. Remove the template from the wall.
6. Fold ends of the plastic toggle together and insert into each hole in the wall.
7. Lightly tap anchors until flush with the wall.
8. One at a time, insert plastic pin into each of the anchors and lightly tap to activate anchor.
9. Remove pin and repeat on all anchors.
10. One at a time, place each mounting plate over anchors (notch facing downward) and insert screws through plate into anchors.
11. Tighten screws.
12. Position each end post with setscrews facing down and place over both mounting plates. Tighten the setscrews.

Cleaning Instructions:

To preserve the fine finish of this product, clean only with a soft damp cloth. Dry well. Do not use commercial or abrasive cleaners.

Stock Number: _____ **Pivoting Paper Holder By Creative Specialties**



25300 AL MOEN DRIVE • NORTH OLMSTED, OH 44070
CORPORATE HEADQUARTERS: (800) 321-8809 • FAX: (800) 848-6636
INTERNATIONAL: (440) 962-2000 • FAX: (440) 962-2726
CUSTOMER SERVICE (USA): 800-882-0116 • FAX: (888) 379-2720
WWW.MOEN.COM

©Copyright Creative Specialties International

Literature # BA1441

Banbury® Technical Specification

Robe Hook

Y2603

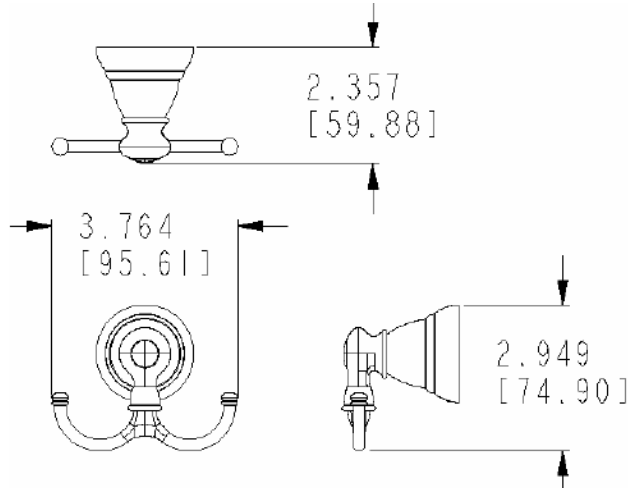
Stock Numbers:

- ❑ **Y2603BN – Robe Hook**
Brushed Nickel Finish
- ❑ **Y2603BRB – Robe Hook**
Mediterranean Bronze Finish
- ❑ **Y2603CH – Robe Hook**
Chrome Finish

Materials:

Robe Hook is die cast from highest quality zinc alloy (Zamac).

Dimensions:



Installation Instructions:

1. Remove mounting plate from hardware pack.
2. Position the mounting plate on the wall at desired location with "UP" facing you. Mark hole locations.
3. Drill two holes as marked using a 5/16" drill bit.
4. Fold ends of the plastic toggle together and insert into each hole in the wall.
5. Lightly tap anchors until flush with the wall.
6. One at a time, insert plastic pin into each anchor and lightly tap to activate anchor.
7. Place the mounting plate on the wall over the installed wall anchors with "UP" facing you.
8. Tighten screws.
9. Place decorative product over the mounting plate with setscrew facing down and tighten setscrew.

Cleaning Instructions:

To preserve the fine finish of this product, clean only with a soft damp cloth. Dry well. Do not use commercial or abrasive cleaners.

Stock Number: _____ **Robe Hook**
By Creative Specialties



25300 AL MOEN DRIVE • NORTH OLMSTED, OH 44070
CORPORATE HEADQUARTERS: (800) 321-8809 • FAX: (800) 848-6636
INTERNATIONAL: (440) 962-2000 • FAX: (440) 962-2726
CUSTOMER SERVICE (USA): 800-882-0116 • FAX: (888) 379-2720
WWW.MOEN.COM

©Copyright Creative Specialties International

Literature # BA1440

Banbury® Technical Specification

Towel Ring

Y2686

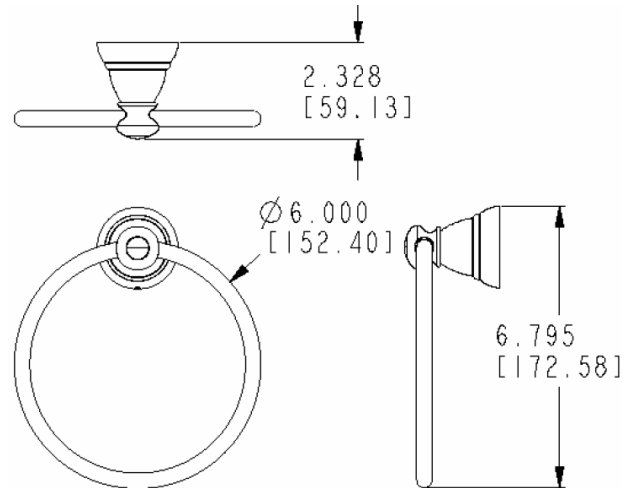
Stock Numbers:

- ❑ **Y2686BN – Towel Ring**
Brushed Nickel Finish
- ❑ **Y2686BRB – Towel Ring**
Mediterranean Bronze Finish
- ❑ **Y2686CH – Towel Ring**
Chrome Finish

Materials:

Towel Ring post is die cast from highest quality zinc alloy (Zamac). Casting is plated in Chrome, Brushed Nickel or Mediterranean Bronze. **Towel ring** is aluminum for Brushed Nickel and Chrome finishes and stainless steel for Mediterranean Bronze.

Dimensions:



Installation Instructions:

1. Remove mounting plate from hardware pack.
2. Position the mounting plate on the wall at desired location with "UP" facing you. Mark hole locations.
3. Drill two holes as marked using a 5/16" drill bit.
4. Fold ends of the plastic toggle together and insert into each hole in the wall.
5. Lightly tap anchors until flush with the wall.
6. One at a time, insert plastic pin into each anchor and lightly tap to activate anchor.
7. Place the mounting plate on the wall over the installed wall anchors with "UP" facing you.
8. Tighten screws.
9. Place decorative product over the mounting plate with setscrew facing down and tighten setscrew.

Cleaning Instructions:

To preserve the fine finish of this product, clean only with a soft damp cloth. Dry well. Do not use commercial or abrasive cleaners.

Stock Number: _____ **Towel Ring**
By Creative Specialties



25300 AL MOEN DRIVE • NORTH OLMDSTED, OH 44070
CORPORATE HEADQUARTERS: (800) 321-8809 • FAX: (800) 848-6636
INTERNATIONAL: (440) 962-2000 • FAX: (440) 962-2726
CUSTOMER SERVICE (USA): 800-882-0116 • FAX: (888) 379-2720
WWW.MOEN.COM

©Copyright Creative Specialties International

Literature # BA1443