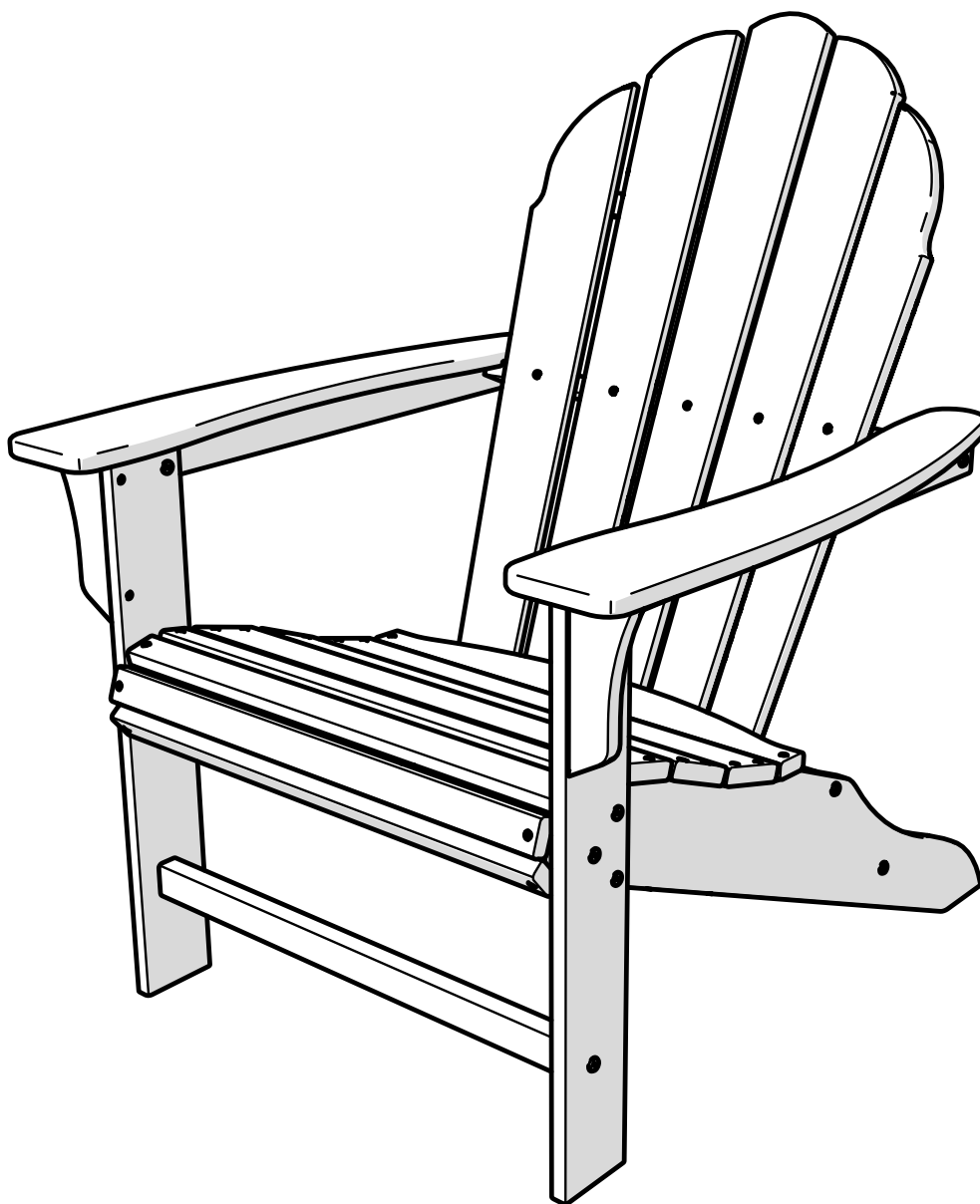


# TXWA16

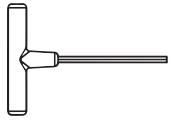
## HD Patio Adirondack Chair

### *Assembly Instructions*

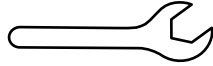


**Trex**<sup>®</sup> Outdoor Furniture<sup>™</sup>

## TOOLS

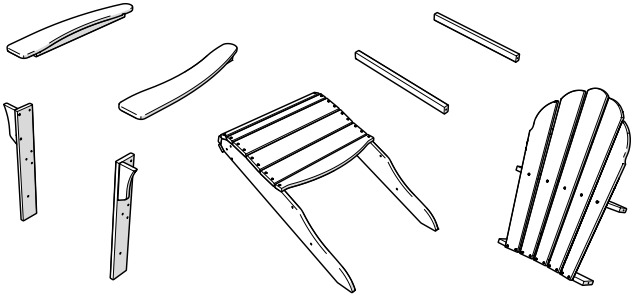


4mm T-handle  
hex key (included)

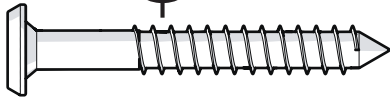


7/16 Wrench  
(not included)

## PARTS

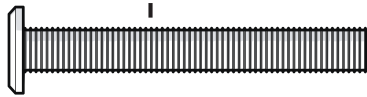


**A** x 8



.27 X 2 SOCKET WAFER A

**B** x 6



1/4-20 x 1-7/8 WAFER SHCS

**C** x 2



1/4-20 x 2-1/4 WAFER SHCS



1/4 FLAT  
WASHER



1/4-20  
NYLOCK NUT

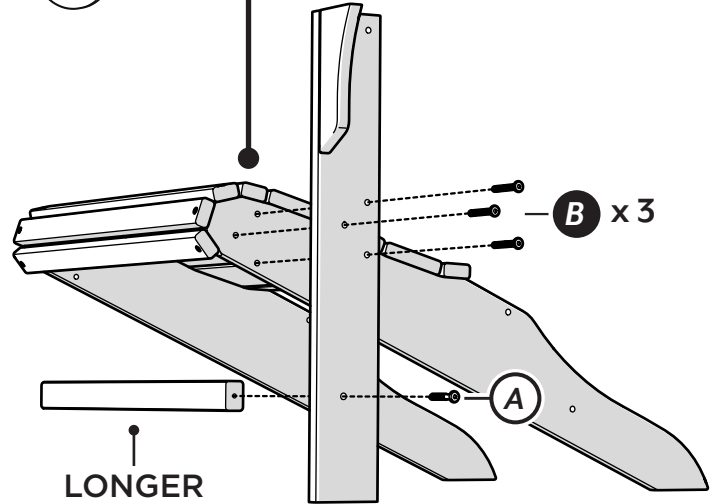
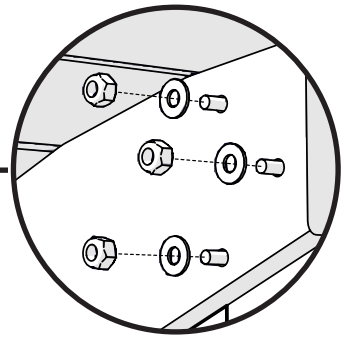
**1**



x 3



x 3

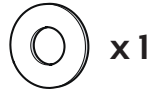


LONGER

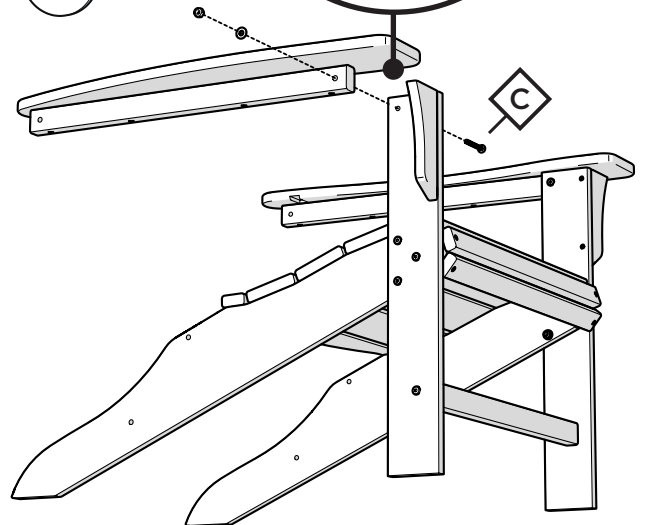
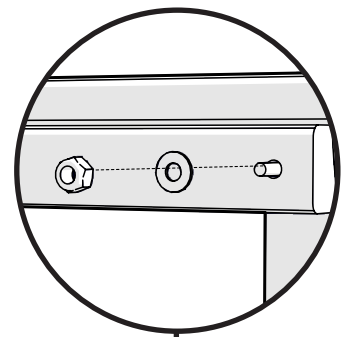
**4**



x 1

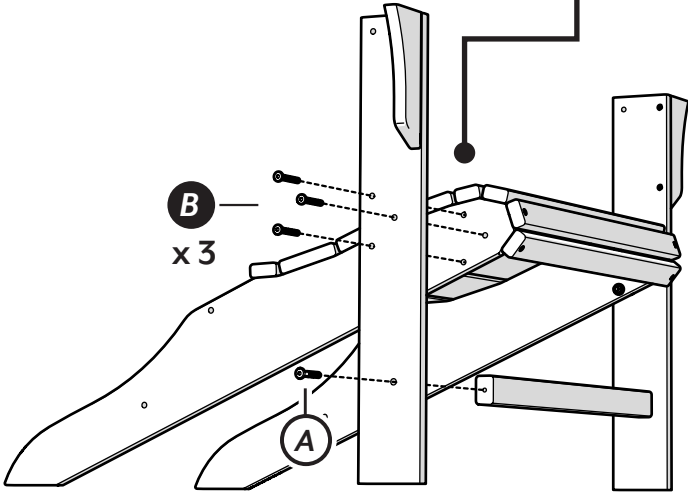
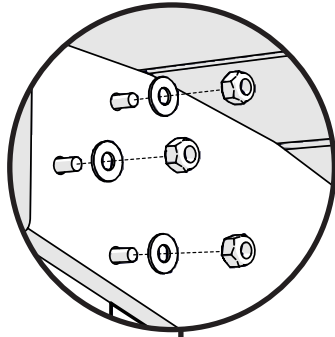
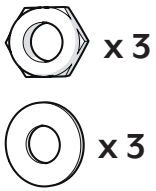


x 1

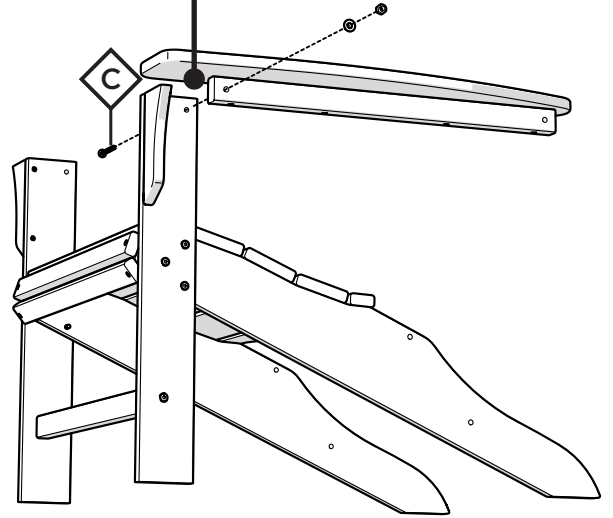
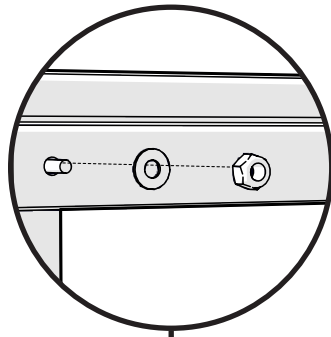
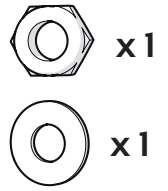


Something missing?  
Call (877) 907-TREX (8739)

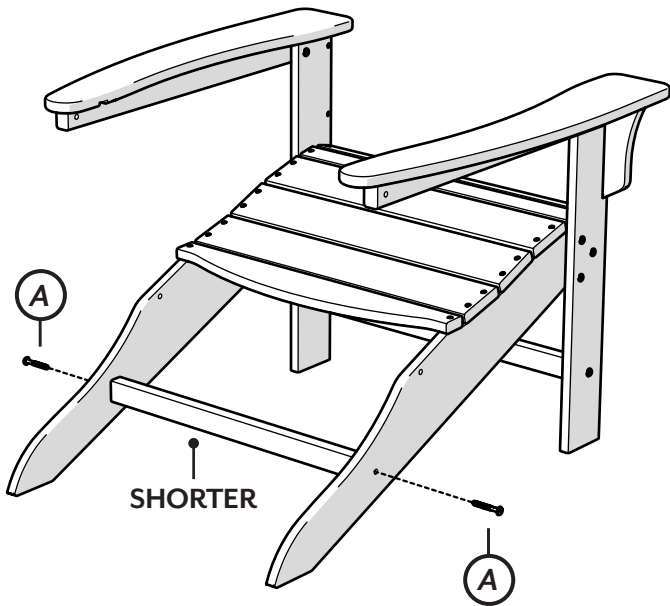
2



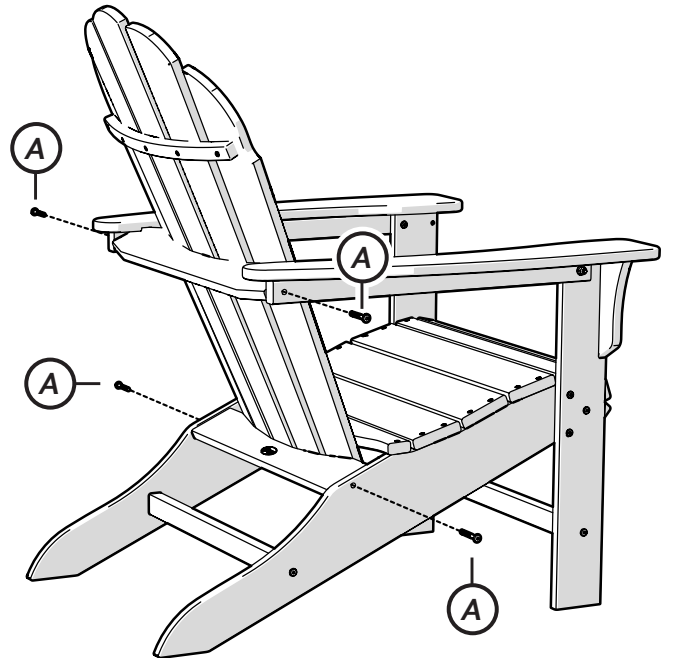
3



5



6



# Trex® Outdoor Furniture™

To view our full warranty, please visit the warranty page on our website at [trexfurniture.com/resources](http://trexfurniture.com/resources).

If you have questions or concerns regarding assembly instructions or missing parts, please contact us at (800) 457-3284 or email [support@trexoutdoorfurniture.com](mailto:support@trexoutdoorfurniture.com)