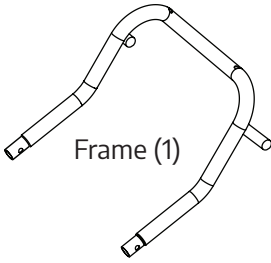


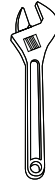


Garden Barrow Assembly Instructions

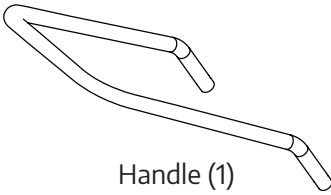
Parts Included:



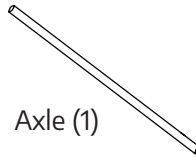
Frame (1)



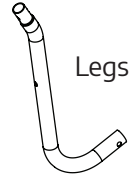
Tools Needed:
Crescent Wrench
Gloves
Eye-wear



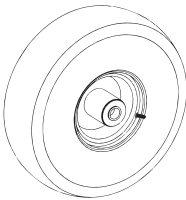
Handle (1)



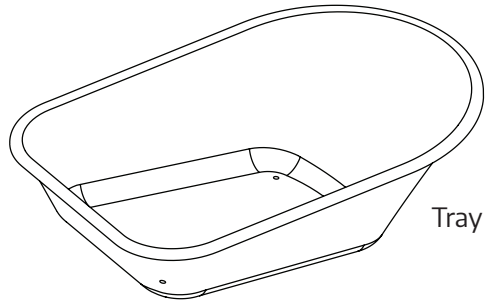
Axle (1)



Legs (2)



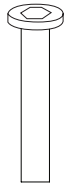
Wheel (2)



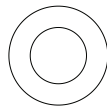
Tray (1)



Hex Wrench (1)



Hex Bolt (6)



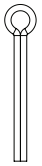
Big Washer (2)



Nylock Nut (6)



Small Washer (6)



Cotter Pin (2)

1



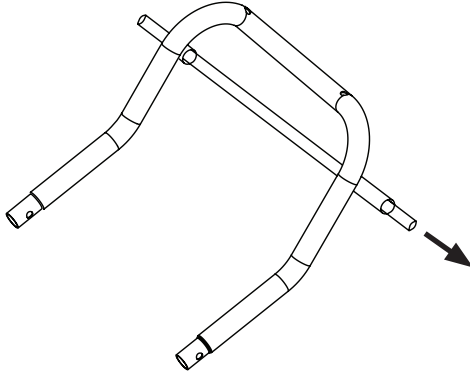
Not for highway use.
Max. Inflation Pressure 30psi.
Manual pump only.
Do not use air compressor.



1

Step One:

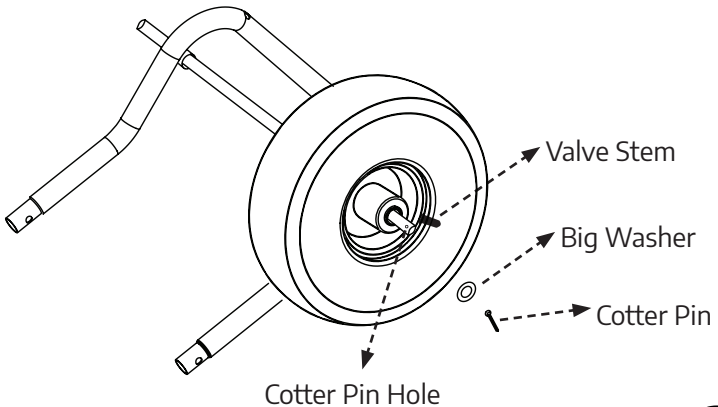
Put on your gloves and protective eye-wear.
Slide axle through axle brackets on the frame.



2

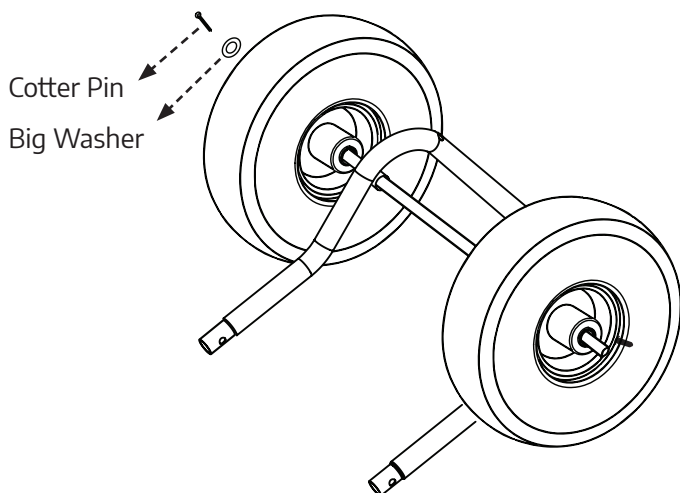
Step Two:

With valve stem facing out, slide first wheel through axle. Add big washer and insert cotter pin through hole in axle. Split ends of cotter pin to hold it in place.

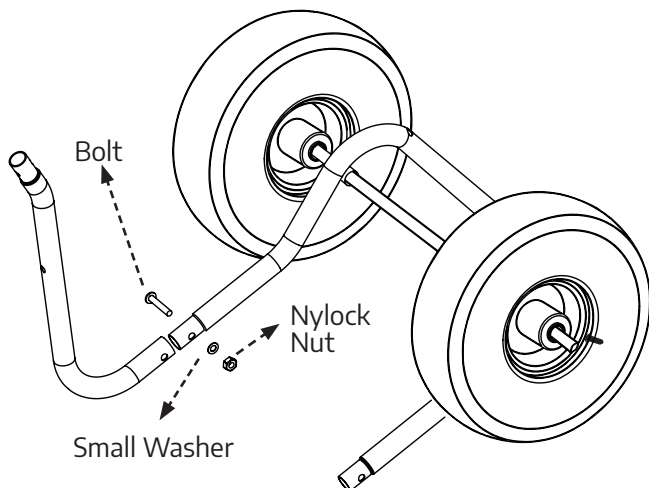


3**Step Three:**

Repeat step 2 with the second wheel adding big washer and cotter pin, splitting both ends to keep it in place.

**4****Step Four:**

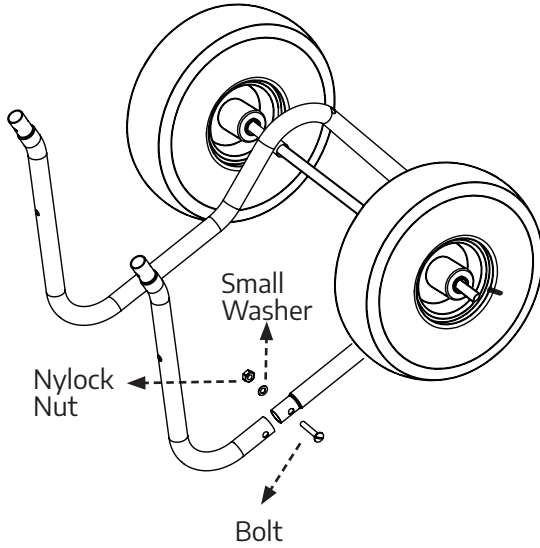
Attach one leg to frame. Secure with bolt, facing in. Add small washer and nylock nut. Tighten with your fingers.

**3**

5

Step Five:

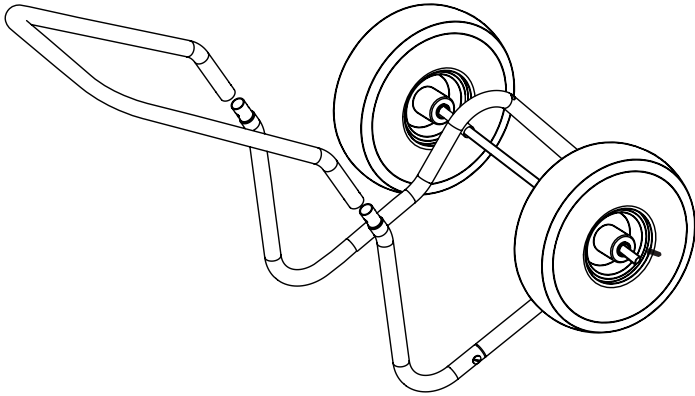
Repeat step 4 on other leg, attaching it to the frame and securing with bolt, small washer and nylock nut. Tighten with your fingers.



6

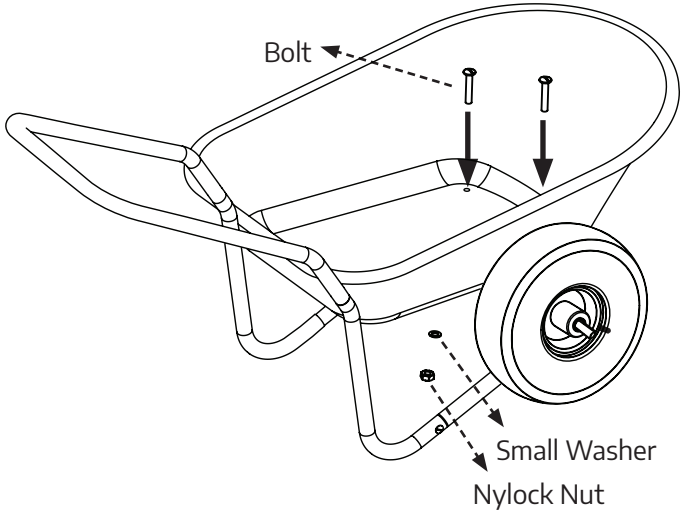
Step Six:

Place handle on legs. Bolts will be added on step 8.

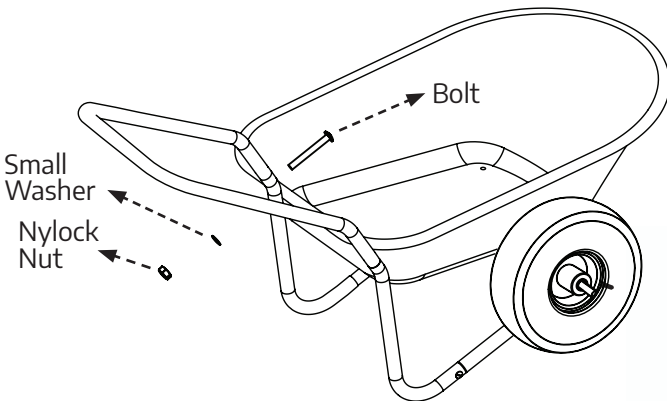


7**Step Seven:**

Place tray, aligning front holes first. Slide bolts through both front holes. Add small washers and nylock nuts. Tighten with fingers.

**8****Step Eight:**

Align tray and handle. Insert bolts through tray and handle. Add washers and nylock nuts. Tighten with your fingers.



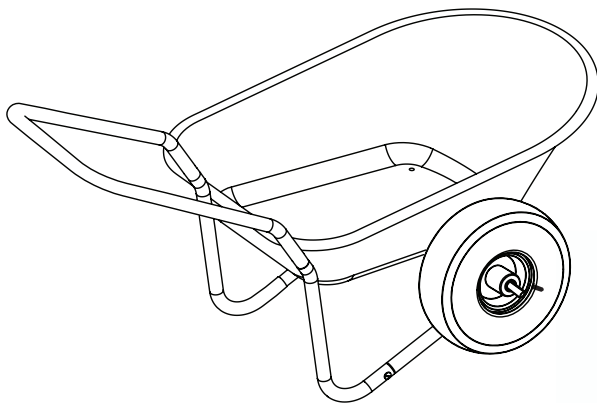
Inflate Tire
Max. Inflation 30psi.
Manual pump only.

5

9

Step Nine:

Tighten everything up by using a hex wrench to hold the bolts in place and spinning the crescent wrench at the nylock nut. Enjoy your Garden Barrow!



Inflate Tire
Max. Inflation 30psi.
Manual pump only.



Toll Free
877-425-1640
253-893-7014

Email: sales@marathonind.com
Website: www.gardenstarcarts.com

Made in China