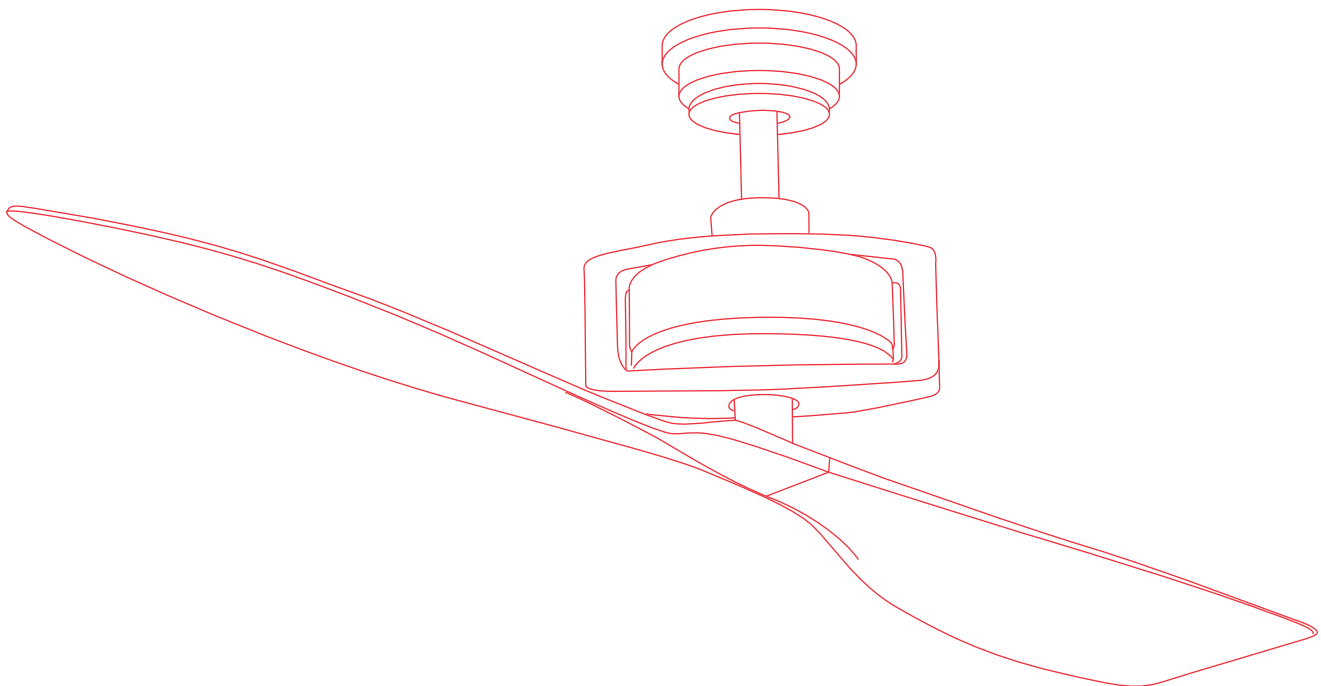


USE AND CARE GUIDE

ALDERBROOK LED 60 INCH CEILING FAN



Questions, problems, missing parts? Before returning to the store,
call Home Decorators Collection Customer Service
8 a.m. - 7 p.m., EST, Monday-Friday,
9 a.m. - 6 p.m., EST, Saturday

1-800-986 3460

HOMEDEPOT.COM/HOMEDECORATORS

THANK YOU

We appreciate the trust and confidence you have placed in Home Decorators Collection through the purchase of this ceiling fan. We strive to continually create quality products designed to enhance your home. Visit us online to see our full line of products available for your home improvement needs. Thank you for choosing Home Decorators Collection!

Table of Contents

Table of Contents	2
Safety Information	3
Warranty	4
Pre-installation	4
Specifications	4
Tools Required	4
Hardware Included	5
Package Contents	6
Installation	7
Assembly	8
Attaching the decorative cover	8
Attaching the Blade Arm	9
Attaching the Fan Blades	10
Hanging the Fan	11
Operation	14
Remote Control Operating Instructions	14
Reverse Function Button Operating Instructions.....	15
Installing the Remote Control Holder	15
Care and Cleaning	15
Troubleshooting	16
Service Parts	17

Safety Information

- Read and save these instructions.
- To reduce the risk of electric shock, ensure electricity has been turned off at the circuit breaker or fuse box before beginning.
- All wiring must be in accordance with the National Electrical Code “ANSI/NFPA 70-1999” and local electrical codes. Electrical installation should be performed by a qualified licensed electrician.
- The outlet box and support structure must be securely mounted and capable of reliably supporting a minimum of 35 lbs. Use only UL Listed outlet boxes marked “FOR FAN SUPPORT.”
- The fan must be mounted with a minimum of 7 ft. clearance from the trailing edge of the blades to the floor.
- To avoid personal injury or damage to the fan and other items, be cautious when working around or cleaning the fan.
- Do not use water or detergents when cleaning the fan or fan blades. A dry dust cloth or lightly dampened cloth will be suitable for most cleaning.
- After making electrical connections, spliced conductors should be turned upward and pushed carefully up into the outlet box. The wires should be spread apart with the grounded conductor and the equipment-grounding conductor on one side of the outlet box and ungrounded conductor on the other side of the outlet box.
- All setscrews must be checked and retightened where necessary before installation.
- This device complies with Part 15 of the FCC Rules. Operation is subject to the following two conditions: (1) This device may not cause harmful interference, and (2) This device must accept any interference received, including interference that may cause undesired operation.



WARNING: To reduce the risk of fire or electric shock, this fan should only be used with fan speed control part NO.:DL-1170FCS-08, manufactured by: Summer Wind International, Ltd.



WARNING: To reduce the risk of personal injury, do not bend the blade arms (also referred to as flanges), when installing the brackets, balancing the blades, or cleaning the fan.



WARNING: Do not insert foreign objects between rotating fan blades.



WARNING: To reduce the risk of fire, electric shock, or personal injury, mount the fan to the outlet box marked acceptable for fan support with the screws provided with the outlet box.



CAUTION: To reduce the risk of personal injury, use only the screws provided with the outlet box.



WARNING: Changes or modifications to this unit not expressly approved by the party responsible for compliance could void the user's authority to operate the equipment.



NOTE: This equipment has been tested and found to comply with the limits for a Class B digital device, pursuant to Part 15 of the FCC Rules. These limits are designed to provide reasonable protection against harmful interference in a residential installation. This equipment generates, uses and can radiate radio frequency energy and, if not installed and used in accordance with the instructions, may cause harmful interference to radio communications. However, there is no guarantee that interference will not occur in a particular installation. If this equipment does cause harmful interference to radio or television reception, which can be determined by turning the equipment off and on, the user is encouraged to try to correct the interference by one or more of the following measures: Reorient or relocate the receiving antenna. Increase the separation between the equipment and receiver. Connect the equipment into an outlet on a circuit different from that to which the receiver is connected. Consult the dealer or an experienced radio/TV technician for help.

Warranty

We warrant the fan motor to be free from defects in workmanship and material present at time of shipment from the factory for a period of lifetime after the date of purchase by the original purchaser. We also warrant that all other fan parts, excluding any glass or acrylic blades, to be free from defects in workmanship and material at the time of shipment from the factory for a period of two year after the date of purchase by the original purchaser. We agree to correct such defects without charge or at our option replace with a comparable or superior model if the product is returned. To obtain warranty service, you must present a copy of the receipt as proof of purchase. All costs of removing and reinstalling the product are your responsibility. Damage to any part such as by accident, misuse, improper installation or by affixing any accessories, is not covered by this warranty. Because of varying climatic conditions this warranty does not cover any changes in brass finish, including rusting, pitting, corroding, tarnishing or peeling. Brass finishes of this type give their longest useful life when protected from varying weather conditions. A certain amount of "wobble" is normal and should not be considered a defect. Servicing performed by unauthorized persons shall render the warranty invalid. There is no other express warranty. We hereby disclaim any and all warranties, including but not limited to those of merchantability and fitness for a particular purpose to the extent permitted by law. The duration of any implied warranty which cannot be disclaimed is limited to the time period as specified in the express warranty. Some states do not allow limitation on how long an implied warranty lasts, so the above limitation may not apply to you. The retailer shall not be liable for incidental, consequential, or special damages arising out of or in connection with product use or performance except as may otherwise be accorded by law. Some states do not allow the exclusion of incidental or consequential damages, so the above exclusion or limitation may not apply to you. This warranty gives specific legal rights, and you may also have other rights which vary from state to state. This warranty supersedes all prior warranties. Shipping costs for any return of product as part of a claim on the warranty must be paid by the customer.

Contact the Customer Service Team at 1-800-986-3460 or visit www.HOMEDEPOT.COM/HOMEDECORATORS

Pre-Installation

SPECIFICATIONS

Fan size	Speed	Volts	Amps	Watts	RPM	CFM	N.W.	G.W.	C.F.
60 in.(1,52 m)	1	120	0.04	2.01	44	1381	5.42kgs (11.92 lbs)	6.6 kgs (14.52lbs)	1.78' ft.
	2		0.05	2.78	65	2106			
	3		0.07	4.13	85	2877			
	4		0.12	6.31	105	3684			
	5		0.18	9.64	125	4411			
	6		0.28	16.91	153	5416			

 **NOTE:** These are approximate measures. They do not include amps and wattage used by the light kit.



TOOLS REQUIRED



Pre-Installation (continued)

HARDWARE INCLUDED



NOTE:Hardware shown to actual size unless noted otherwise in the table below.



_____ AA



_____ EE



_____ JJ



_____ BB



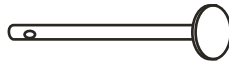
_____ FF



_____ KK



_____ LL



_____ GG



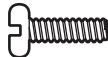
_____ CC



_____ HH



_____ DD

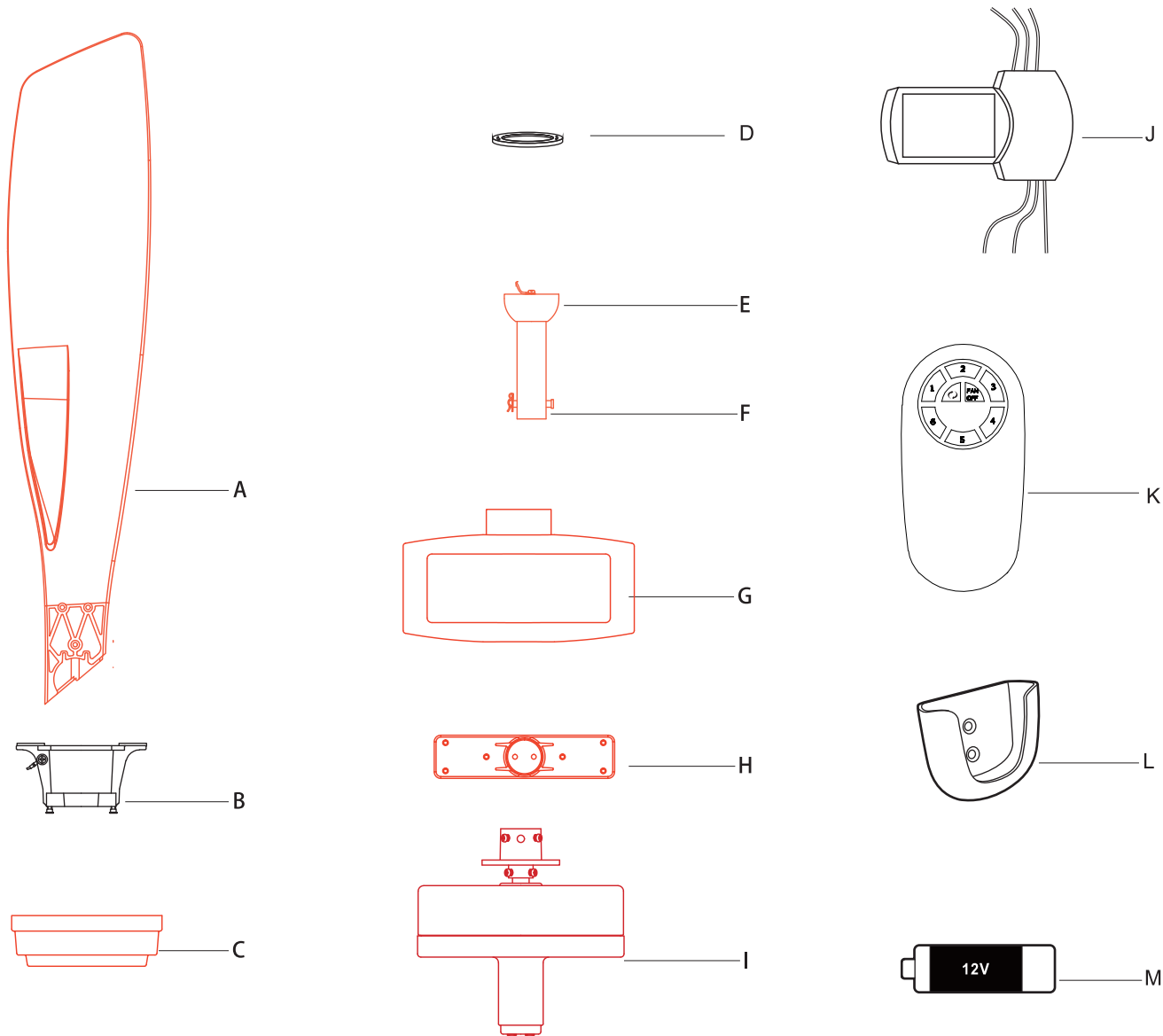


_____ II

Part	Description	Quantity
AA	Blade Screw	7
BB	Allen wrench	1
CC	Remote control holder mounting screws	2
DD	Wire nuts	7
EE	Cross pin (not to scale) (pre-assembled)	1
FF	Hitch pin (pre-assembled)	1
GG	Lock pin (not to scale) (pre-assembled)	1
HH	Hanger ball set screw (pre-assembled)	1
II	Fan motor assembly coupling set screw (pre-assembled)	2
JJ	Mounting bracket screw (pre-assembled)	2
KK	Decorative cover screw	5
LL	Blade arm screw (pre-assembled)	2

Pre-Installation (continued)

PACKAGE CONTENTS



Part	Description	Quantity
A	Blade	2
B	Mounting bracket	1
C	Canopy	1
D	Canopy cover	1
E	Hanger ball (pre-assembled)	1
F	Downrod (pre-assembled)	1
G	Decorative Cover	2
H	Blade arm	1

Part	Description	Quantity
I	Fan motor assembly	1
J	Receiver	1
K	Remote control	1
L	Remote control holder	1
M	12V Battery	1

Installation

MOUNTING OPTIONS



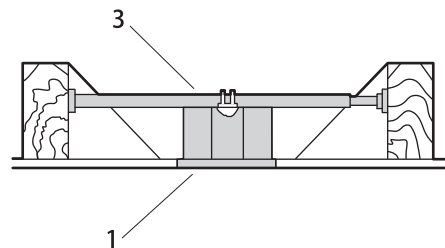
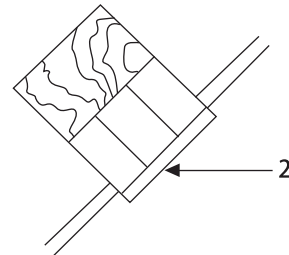
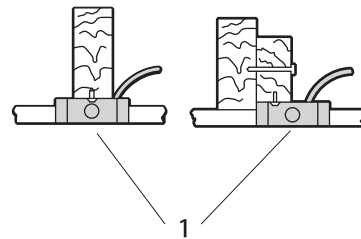
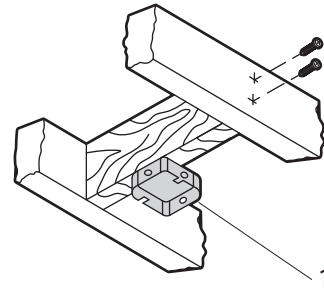
WARNING: To reduce the risk of fire, electric shock, or personal injury, mount the fan to an outlet box marked acceptable for fan support using the screws provided with the outlet box. An outlet box commonly used for the support of lighting fixtures may not be acceptable for fan support and may need to be replaced. If in doubt, consult a qualified electrician.

If your ceiling fan does not have an existing UL-listed mounting box, then install one using the following instructions:

- Disconnect the power by removing the fuses or turning off the circuit breakers.
- Secure the outlet box (1) (not included) directly to the building structure. Use appropriate fasteners and materials (not included). The outlet box and its bracing must be able to fully support the weight of the moving fan (at least 35 lbs.). Do not use a plastic outlet box.
- The illustrations to the right show three different ways to mount the outlet box (not included).
- To hang your fan where there is an existing fixture but no ceiling joist, you may need an installation hanger bar (3) (not included), as shown.



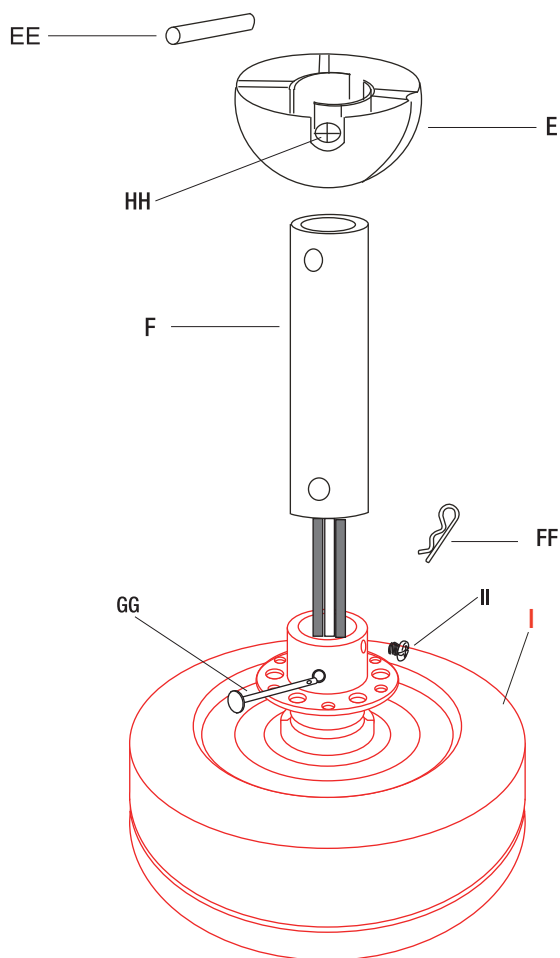
NOTE: You may need a longer downrod to maintain proper blade clearance when installing on a steep, sloped ceiling. The maximum angle allowable is 18°. If the canopy touches the downrod, remove the decorative canopy bottom cover and turn the canopy 180° before attaching the canopy to the mounting plate (2).



Assembly - Attaching the decorative cover

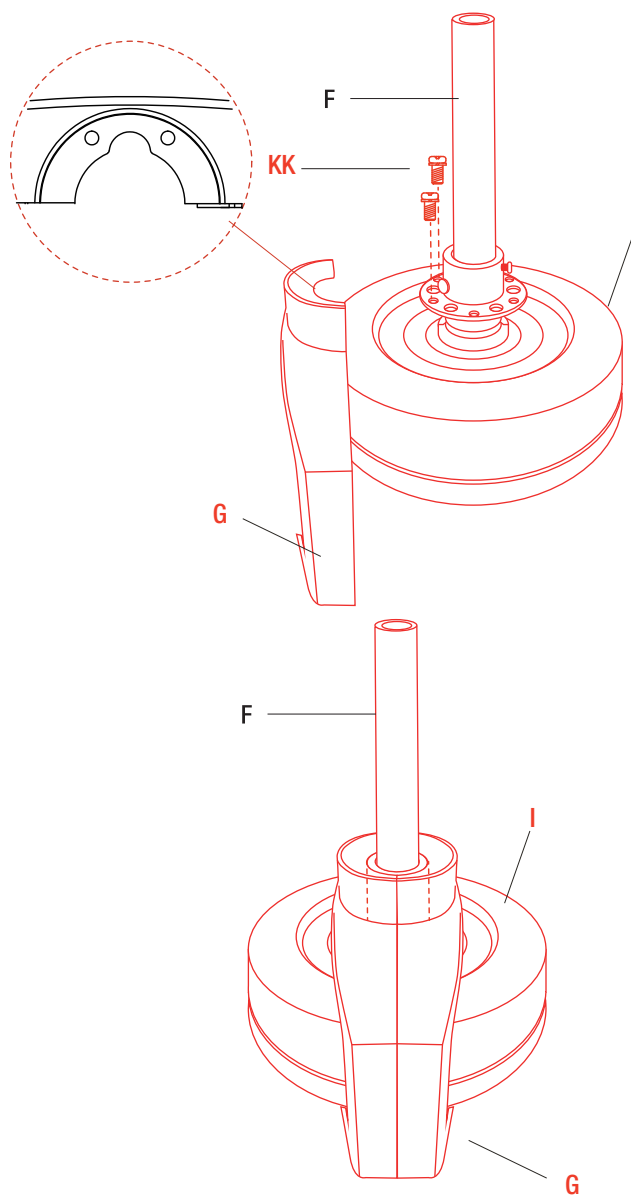
1 Attaching the downrod to the fan motor assembly

- Loosen the two set screws (II) from the fan motor assembly (I) coupling.
- Remove the hitch pin (FF) and lock pin (GG) from the downrod (F). Then, remove the hanger ball (E) from the downrod (F) by loosening the hanger ball set screw (HH), and removing the cross pin (EE), then sliding the hanger ball (E) off of the downrod (F).
- Carefully feed the fan wires up through the downrod (F). Thread the downrod (F) into the fan motor assembly (I) coupling. Line up the holes and replace the lock pin (GG) and the hitch pin (FF). Retighten the set screws (II).



2 Attaching the decorative cover

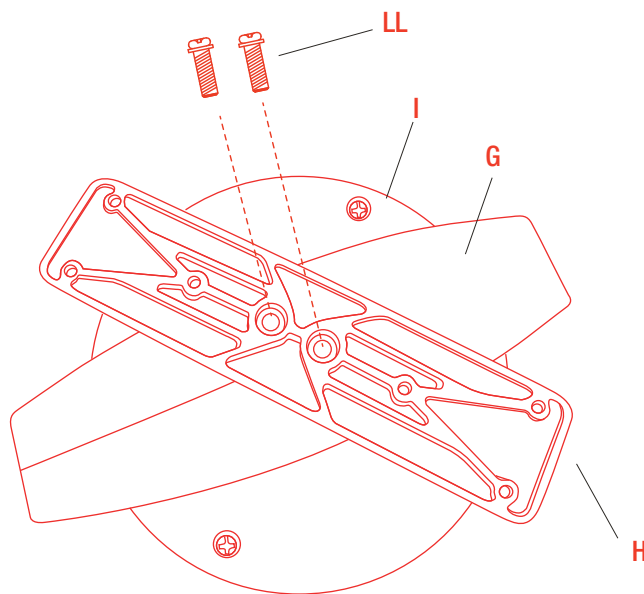
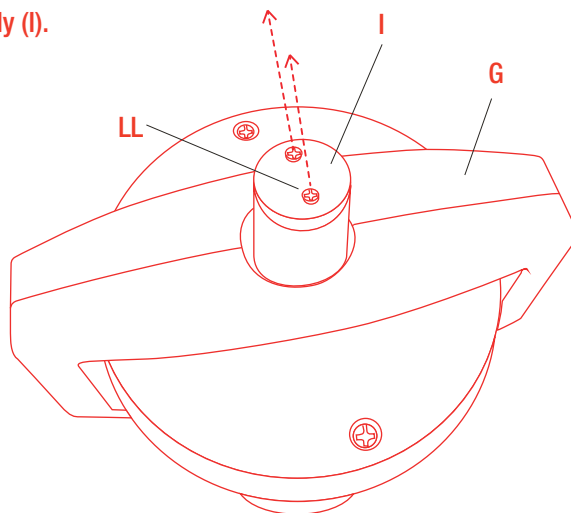
- Attach the decorative covers (G) to the coupling of the fan motor assembly (I) by using the decorative cover screws (KK). Ensure all the screws (KK) are tightened.
- Repeat process for the other decorative cover(G)



Assembly - Attaching the Blade Arm

3 Attaching the blade arm to fan motor assembly

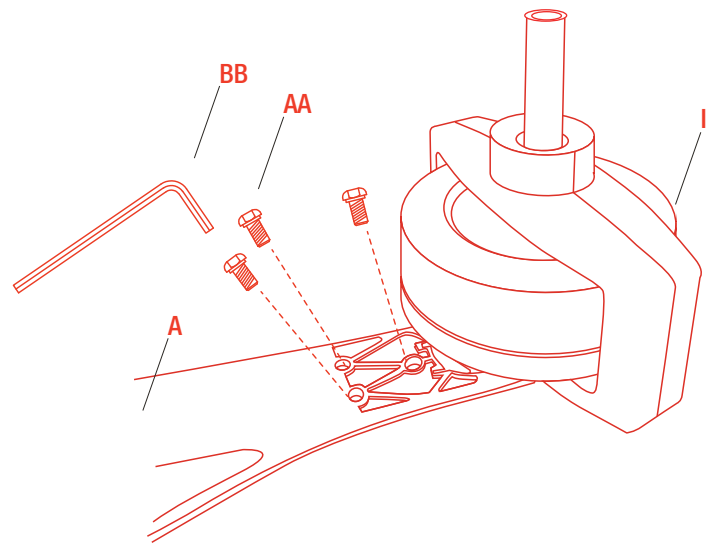
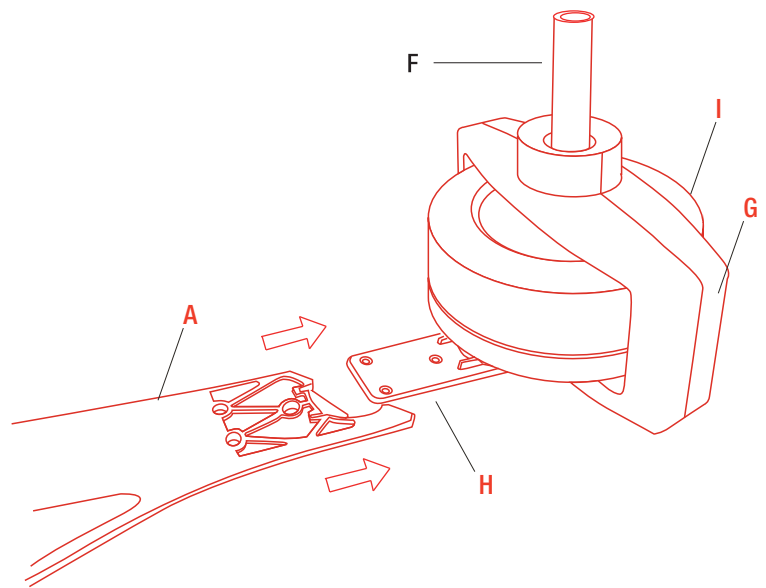
- Remove the blade arm screws (LL) from the fan motor assembly (I).
- Align the holes in the bottom of the fan motor assembly (I) and the blade arm (H), and secure with the blade arm screws (LL). Ensure all the screws (LL) are tightened.



Assembly - Attaching the Fan Blades

4 Fastening the blades to blade arm

- Attach the blade (A) to the blade arm (H) by using the blade screws (AA). Tightened all the screws (AA) by using the Allen wrench (BB).



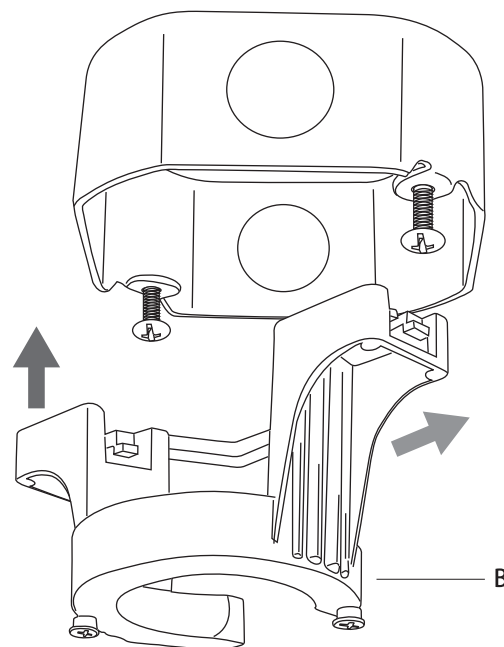
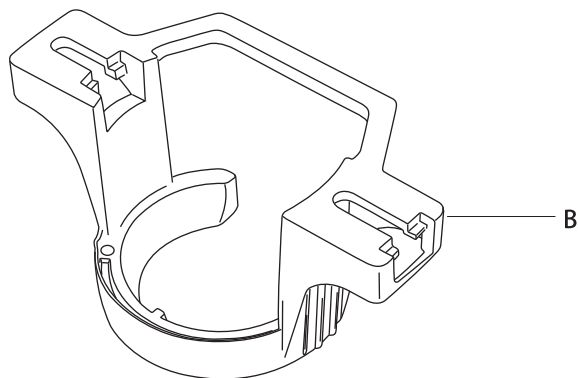
Assembly - Hanging the Fan

5 Attaching the mounting bracket to the electrical box



WARNING: To reduce the risk of fire, electric shock, or other personal injury, mount the fan only to an outlet box or supporting system marked acceptable for fan support and use the mounting screws provided with the outlet box.

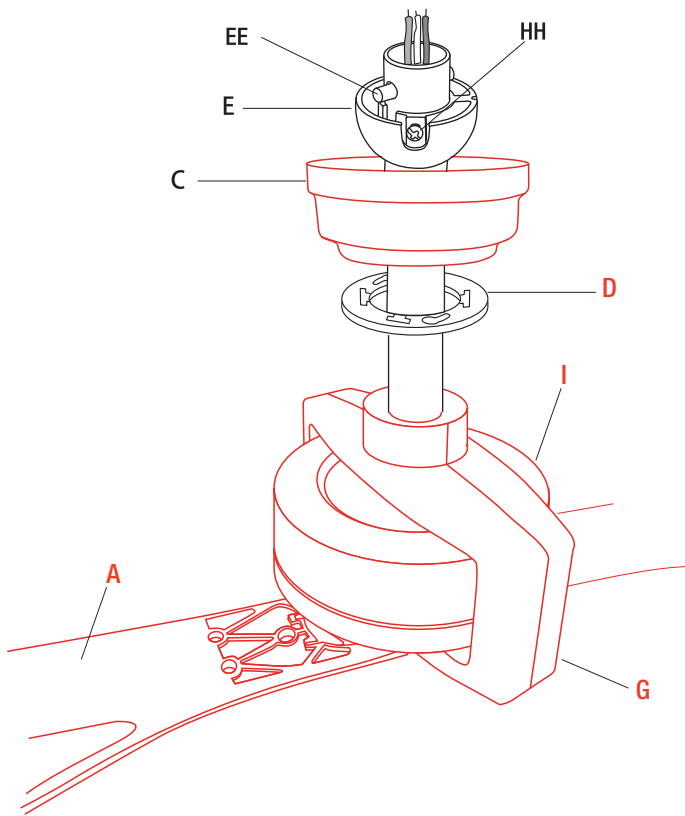
- Place the slots from **the mounting bracket (B)** over the two screws provided with the outlet box. slide the mounting bracket (B) until it locks in place at the narrow section of the slots.
- Securely tighten the two mounting screws.



Assembly -Hanging the Fan (continued)

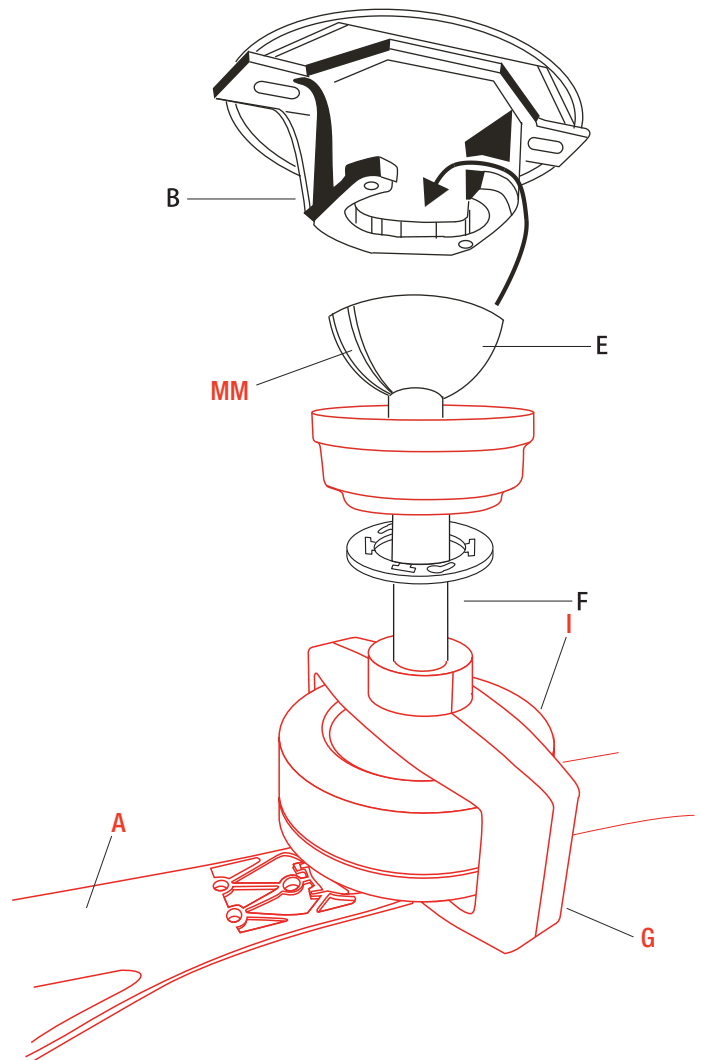
6 Attaching the canopy cover, and canopy to the downrod

- Slip the canopy cover (D), and canopy (C) onto the downrod (F). Carefully reinstall the hanger ball (E) onto the downrod (F), and ensure that the cross pin (EE) is in the correct position, the set screws (HH) are tight, and the wires are not twisted.



7 Hanging the fan motor assembly from the mounting bracket

- Lift the fan motor assembly (I) into position, and place the hanger ball (E) into the mounting bracket (B). Rotate the fan motor assembly (I) until the check groove drops into the registration slot (MM) and seats firmly. The downrod (F) should not rotate if this is done correctly.



Assembly -Hanging the Fan (continued)

8 Making the electrical connections



WARNING: To avoid possible electrical shock, ensure the electricity is turned off at the circuit breaker or main fuse box before wiring.



WARNING: Check to see that all connections are tight, including the ground, and that no bare wire is visible at the wire nuts, except for the ground wire.

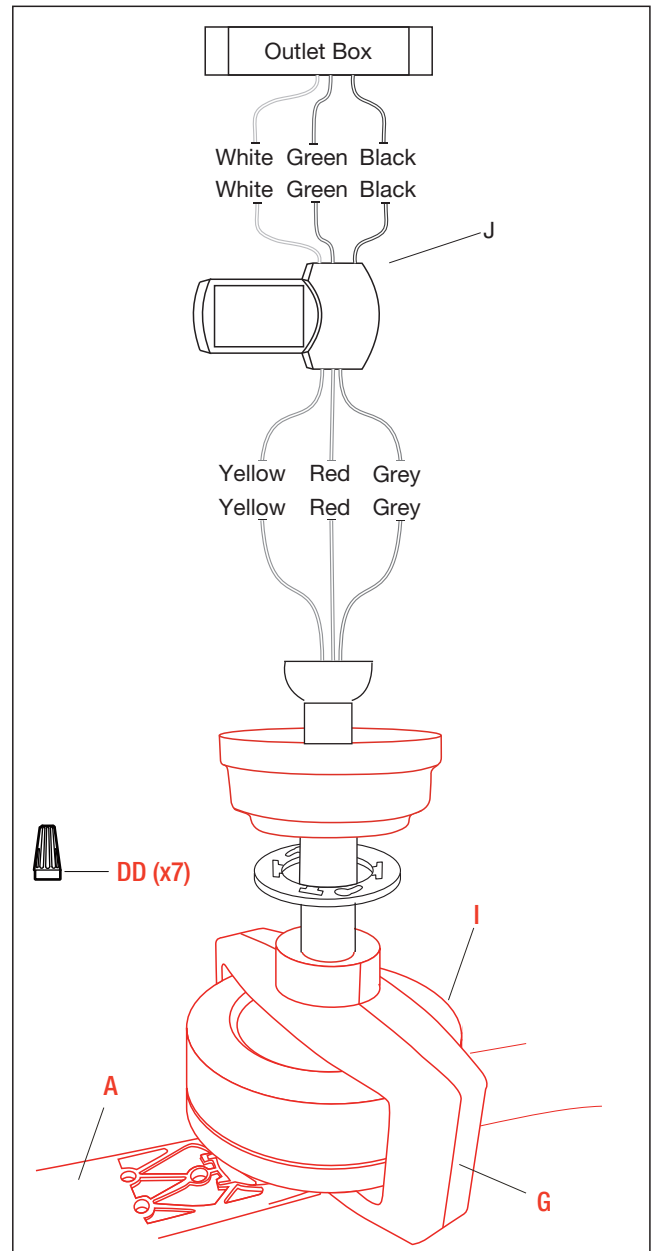
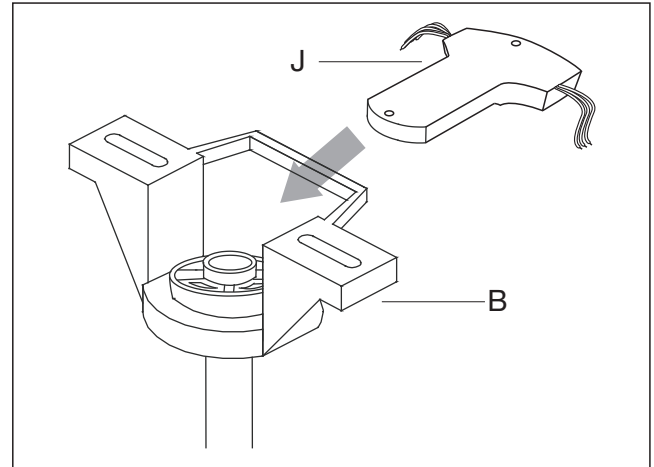
Insert the receiver (J) into the mounting bracket (B) with the flat side of the receiver (J) facing the ceiling.

Follow the steps below to connect the fan to your house supply wires. Secure the wire nuts supplied with your fan by wrapping the connections with electrical tape.

- Motor to Receiver Electrical Connections:**
Connect the **YELLOW** wire from the fan to the **YELLOW** wire marked "MOTOR 1" from the Receiver
Connect the **RED** wire from the fan to the **RED** wire marked "MOTOR 2" from the Receiver
Connect the **GREY** wire from the fan to the **GREY** wire marked "MOTOR 3" from the Receiver

Note: Fan must be installed from a maximum distance of 40 feet (12.2 m) from the transmitting unit for proper signal transmission between the transmitting unit and the fan's receiving unit.

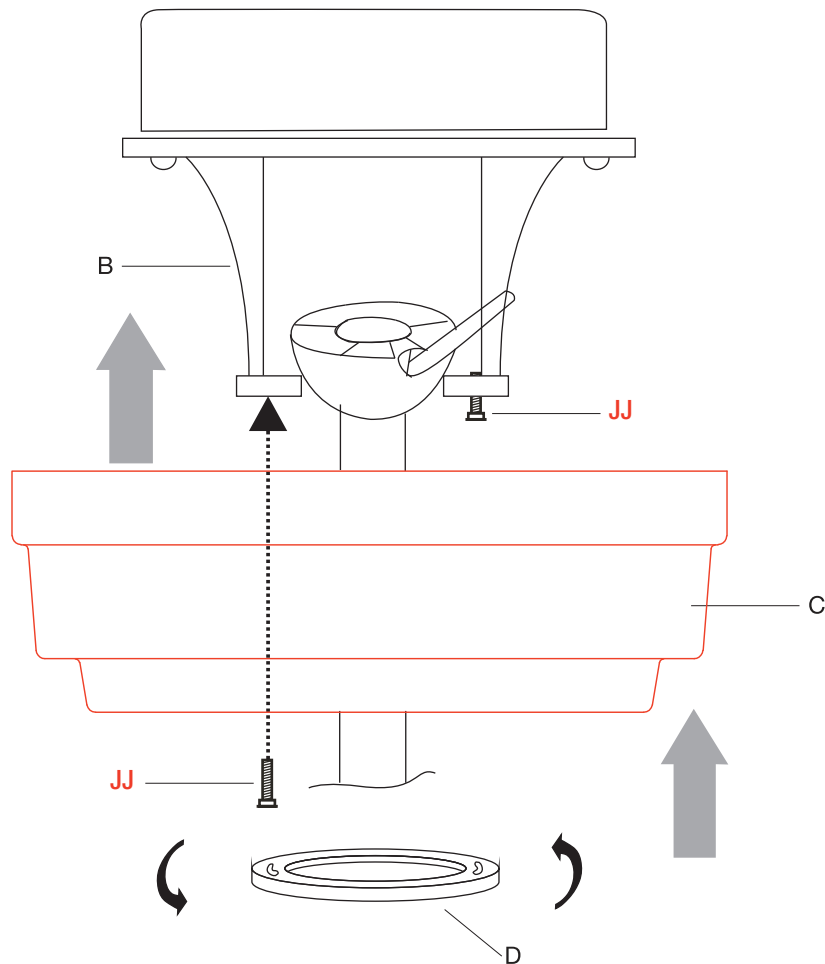
- Receiver to House Supply Wires Electrical connections:**
Connect the **WHITE** wire (Neutral) from the outlet box to the **WHITE** wire marked "AC in N" from the receiver.
Connect the **BLACK** wire (Hot) from the outlet box to the **BLACK** wire marked "AC in L" from the receiver.
- If your outlet box has a **GROUND** wire (Green or Bare Copper), connect this wire to the Hanger Ball and Hanger Bracket and receiver Ground wires.
If your outlet box does not have a Ground Wire, then connect the Hanger Ball and Hanger Bracket and Receiver Ground Wire together.
- Secure wire connection with the plastic wire nuts (**DD**) provided. Especially, for the ground wires, please use bigger wire nut (**DD**) provided.
- After all splices are made, check to make sure there are no loose strands.



Assembly -Hanging the Fan (continued)

9 Securing the fan motor assembly to the mounting bracket

- Remove one screw (JJ) from the mounting bracket (B) and loosen the other screw (JJ) approximately 1/4 turn.
- Carefully raise the canopy (C) up to the mounting bracket (B), and ensure the loosened screw (JJ) is inserted into the key hole on the canopy (C). Rotate the canopy (C) clockwise.
- Secure the canopy (C) by replacing the screw (JJ) previously removed and tightening the screw (JJ) previously loosened.
- Place the canopy cover (D) on the canopy (C), and rotate the canopy cover (D) clockwise until it locks into position.



Operation

REMOTE CONTROL OPERATING INSTRUCTIONS

Install a A23G 12V battery (M) into the remote control (K). To prevent damage to the remote control, remove the battery if not in use for long periods of time.



WARNING: Do not short-circuit, disassemble, heat up, connect improperly, or dispose of used batteries in fire. Do not recharge or mix batteries with used or other battery types. Immediately remove used batteries.

Restore power to the ceiling fan and test for proper operation.

- 1.2.3.4.5.6 buttons: Sets the fan speed.
- FAN OFF button: Turns the fan off.
- ↻ button: Controls the fan direction.



NOTE: To change the direction of the rotation of the blades the fan must be in operation.

Learning process



NOTE: The control system for this DC motor fan is equipped with a learning frequency function which has 16 code combinations to prevent potential interference from other remote units. The frequency on your Receiver and Transmitter units have been preset at the factory. No frequency change is necessary.

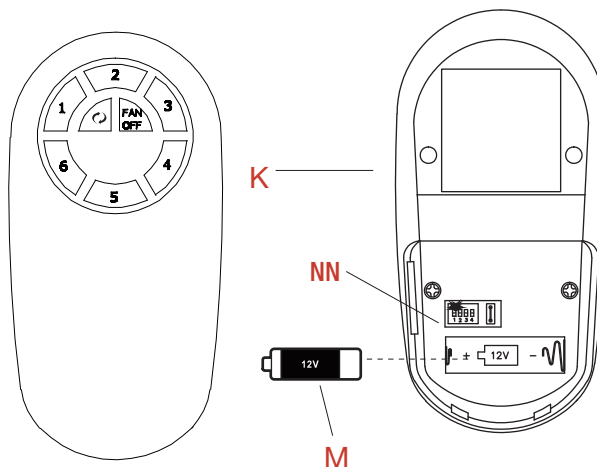
If the fan is non-functional or if you desire to install another fan within the same home or area with a separate frequency code, please see this "learning process" section of this instruction manual to code-comparing the receiver and transmitter.

- Turn the power off to your ceiling fan.
- Please use a small size tool to change the frequency settings on the control system(NN).
- Return power to the unit.
- Within 60 seconds of turning the fan's AC power ON, press and hold the FAN OFF button for 10 seconds to enter the learning function.



NOTE: After the AC power is on, do not press any other button on the remote control before pressing the FAN OFF button. Doing so will cause the procedure to fail.

- Once the receiver has detected the set frequency, the fan will begin to rotate for a short period and then shut off.
- The receiver has now learn the frequency which has been selected on the transmitter. After completing the steps above, you should be able to operate the ceiling fan. If the fan is not responding to the transmitter. please turn the power off to the receiver, and repeat the process.



Operation (continued)

REVERSE FUNCTION BUTTON OPERATING INSTRUCTIONS

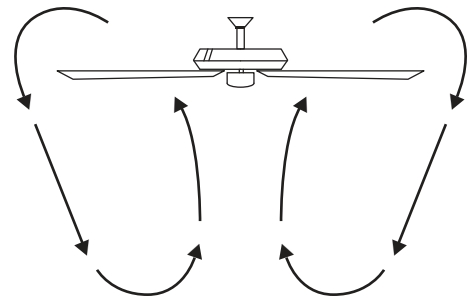
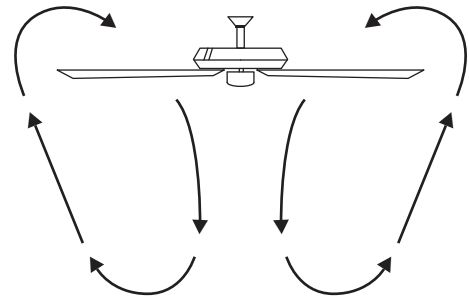
Reverse function button : Controls the fan direction.



NOTE: to change the direction of the rotation of the blades the fan must be in operation.

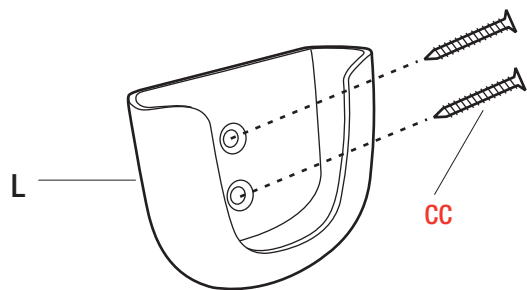
Warm weather - (Counterclockwise Direction) A downward air flow creates a cooling effect. This allows you to set your air conditioner on a warmer setting without affecting your comfort.

Cool weather - (Clockwise Direction) An upward air flow moves warm air off the ceiling. This allows you to set your heating unit on a cooler setting without affecting your comfort.



INSTALLING THE REMOTE CONTROL HOLDER

- Attach the remote control holder (**L**) to the wall with the two remote control holder mounting screws (**CC**).



Care and Cleaning

Do

- Check the support connections, brackets, and blade attachments twice a year. Ensure they are secure. Because of the fan's natural movement, some connections may become loose over time. It is not necessary to remove the fan from the ceiling.
- Clean your fan periodically. Use only a soft brush or lint-free cloth to avoid scratching the finish. The plating is sealed with a lacquer to minimize discoloration or tarnishing.
- (Optional) Apply a light coat of furniture polish to the wood blades.
- (Optional) Cover small scratches with a light application of shoe polish.

Do not

- Do not use water when cleaning. Water could damage the motor, or the wood, or possibly cause an electrical shock.
- Do not apply oil to your fan or motor. The motor has permanently-lubricated sealed ball bearings.

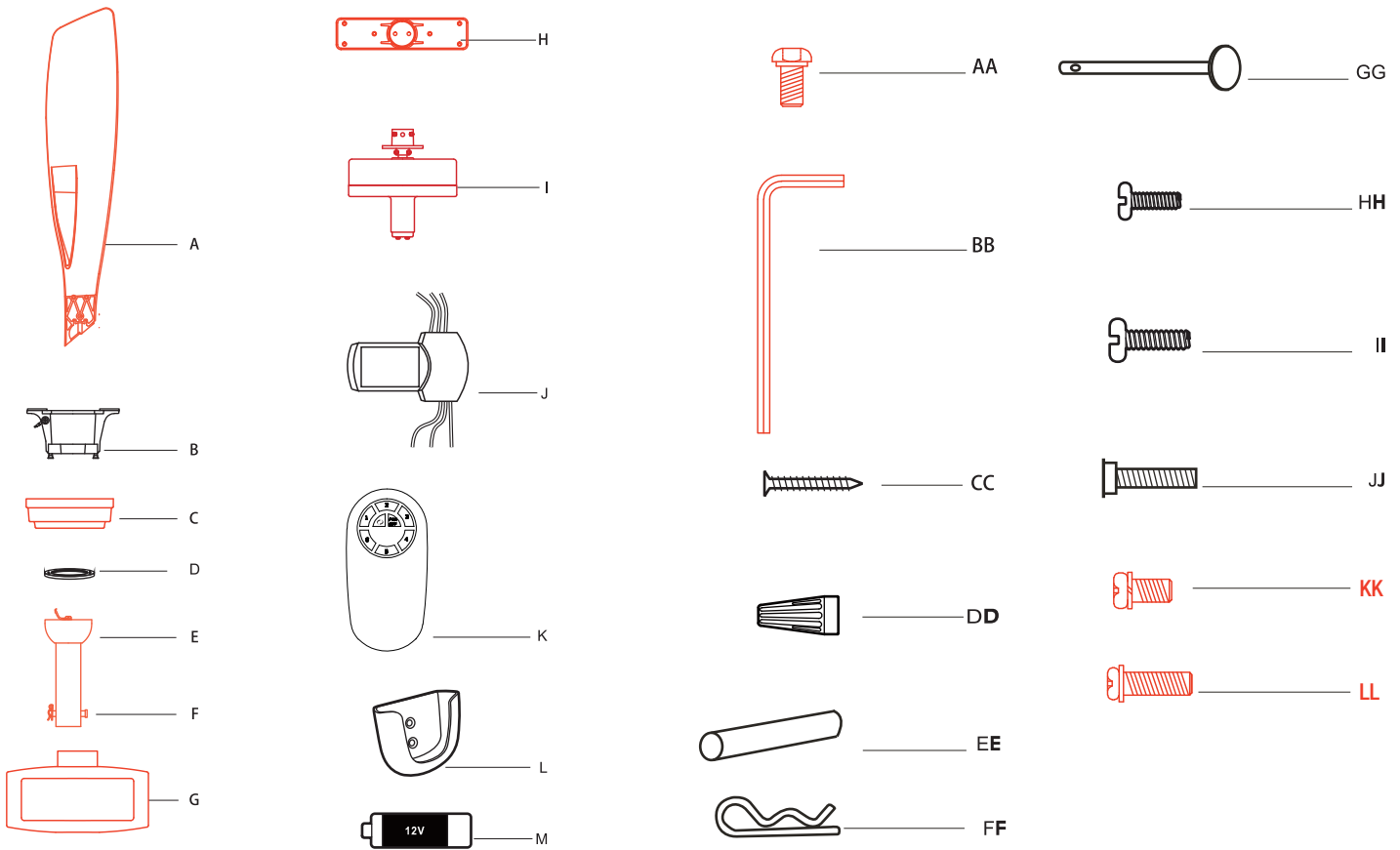
Troubleshooting



WARNING: Ensure the power is off at the electrical panel box before you attempt any repairs. Refer to the section "Making the Electrical Connections" on page 13.

Problem	Solution
The fan will not start.	<input type="checkbox"/> Check main and branch circuit fuses or breakers.
	<input type="checkbox"/> Check line wire connections to the fan and switch wire connections in the switch housing.
	<input type="checkbox"/> Check to make sure the dip switches from the remote control and receiver are set to the same frequency.
The fan sounds noisy.	<input type="checkbox"/> Make sure all motor housing screws are snug.
	<input type="checkbox"/> Make sure the screws that attach the fan blade arm to the motor hub are tight.
	<input type="checkbox"/> Make sure wire nut connections are not rattling against each other or the interior wall of the switch housing.
	<input type="checkbox"/> Allow a 24-hour "breaking-in" period. Most noises associated with a new fan disappear during this time.
	<input type="checkbox"/> If using the ceiling light kit, make sure the screws securing the glassware are tight. Check that the light bulb is also secure.
	<input type="checkbox"/> Make sure there is a short distance from the ceiling to the canopy. It should not touch the ceiling.
	<input type="checkbox"/> Make sure your ceiling box is secure and rubber isolator pads are used between the mounting bracket and outlet box.
The remote control is not working.	<input type="checkbox"/> Do not connect the fan with wall mounted variable speed control(s).
	<input type="checkbox"/> Check to make sure the dip switches from the remote control and receiver are set to the same frequency.
The fan wobbles.	<input type="checkbox"/> Check that all blade and blade arm screws are secure.
	<input type="checkbox"/> Most fan wobble problems are caused when blade levels are unequal. Check this level by selecting a point on the ceiling above the tip of one of the blades. Measure from a point on the center of each blade to the point on the ceiling. Rotate the fan until the next blade is positioned for measurement. Repeat for each blade. Measurements deviation should be within 1/8 in. Run the fan for 10 minutes.
	<input type="checkbox"/> Use the enclosed blade balancing kit if the blade wobble is still noticeable.

Service Parts



Part	Description
A	Blade
B	Mounting bracket
C	Canopy
D	Canopy cover
E	Hanger ball
F	Downrod
G	Decorative Cover
H	Blade arm
I	Fan motor assembly
J	Receiver
K	Remote control
L	Remote control holder
M	12V Battery

Part	Description
AA	Blade Screw
BB	Allen wrench
CC	Remote control holder mounting screws
DD	Wire nuts
EE	Cross pin
FF	Hitch pin
GG	Lock pin
HH	Hanger ball set screw
II	Fan motor assembly coupling set screw
JJ	Mounting bracket screw
KK	Decorative cover screw
LL	Blade arm screw

HOME DECORATORS COLLECTION

Questions, problems, missing parts? Before returning to the store,
call Home Decorators Collection Customer Service
8 a.m. - 7 p.m., EST, Monday-Friday,
9 a.m. - 6 p.m., EST, Saturday

1-800-986 3460

[HOMEDEPOT.COM/HOMEDECORATORS](https://www.homedepot.com/homedecorators)

Retain this manual for future use.