



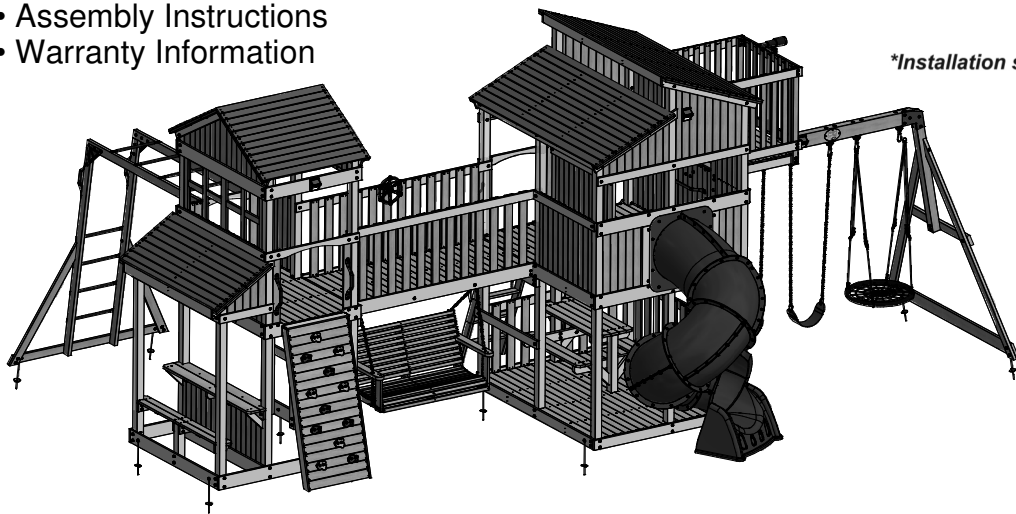
Manufactured by:
Backyard Discovery
3305 Airport Drive
Pittsburg, KS 66762
800-856-4445



SkyLine Retreat WOODEN SWING SET MODEL: # 1801066

BOOKLET INCLUDES:

- Owner's Manual
- Frequently Asked Questions
- Assembly Instructions
- Warranty Information



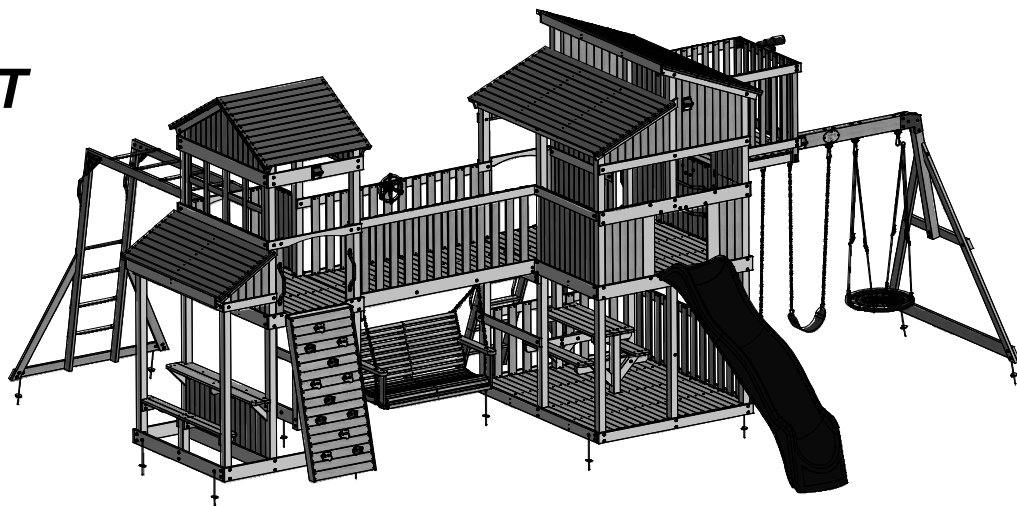
INSTALLATION SERVICES AVAILABLE!*

Need a Helping Hand?
Let our team of professionals
handle installation for you!

GOCONFIGURE
888-888-5424

**Installation services are only available to U.S. customers.*

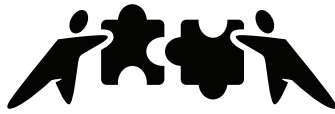
Royal Retreat WOODEN SWING SET MODEL: # 1801110



For the most up to date assembly manual,
to register your set or to order replacement parts please visit
www.backyarddiscovery.com

*Save this assembly manual for future reference in the event that
you need to order replacement parts.*

Para obtener instrucciones en español, visite www.backyarddiscovery.com



GOCONFIGURE
Putting it all together for you

INSTALLATION SERVICES AVAILABLE!*

Need a Helping Hand?
Let our team of professionals
handle installation for you!

GOCONFIGURE
888-888-5424

With Go Configure, we bring you 18 years of experience right to your doorstep. We service a wide array of indoor and outdoor recreation products that most consumers don't have the time or ability to deliver & install themselves.

We do the heavy lifting, so you don't have to!

-
- 18+ Years of Experience Servicing Big Box Retailers and Direct Consumers
 - Highly Skilled, Specialized, Courteous, Professional Service Technicians
 - Over 140,000 Installations Annually
 - White Glove Service
 - Satisfaction Guarantee
 - Flexible Appointments, including weekends
 - Coverage across the nation
- Visit www.goconfigure.com for more info!*
-

**Installation services are only available to U.S. customers.*

STOP PARE

Missing A Part?

**CALL US BEFORE GOING
BACK TO THE STORE!**

The store where you made your purchase
does not stock parts for this item.

If you have assembly questions or if you need parts,
whether they are missing or damaged

Call Toll-Free Help Line or visit www.backyarddiscovery.com

¡LLÁMENOS ANTES DE REGRESAR A LA TIENDA!

La tienda donde realizó la compra no almacena piezas de este producto.

Si tiene preguntas sobre el ensamblaje o si necesita piezas debido a que
faltan o están dañadas

llame gratis a la línea de ayuda

1-800-856-4445

PLEASE READ THIS BEFORE STARTING ASSEMBLY

POR FAVOR LEA ESTAS INSTRUCCIONES ANTES DE COMENZAR EL ENSAMBLAJE

- READ THE ASSEMBLY MANUAL COMPLETELY, PAYING SPECIAL ATTENTION TO THE IMPORTANT TIPS AND SAFETY INFORMATION.
- AFTER YOU HAVE READ THE ASSEMBLY MANUAL, YOU WILL BE ABLE TO DECIDE IF YOU NEED PROFESSIONAL HELP TO COMPLETE THE ASSEMBLY OF THE STRUCTURE.
- SEPARATE AND IDENTIFY ALL PARTS TO MAKE SURE THAT YOU HAVE ALL OF THE PARTS LISTED.
- IF YOU CAN'T FIND ALL OF THE PARTS, CHECK THE PACKING MATERIAL. SMALL PARTS MAY HAVE FALLEN INTO IT DURING SHIPMENT.
- IF YOU HAVE PROBLEMS WITH THE ASSEMBLY OR IF ANY PART IS MISSING OR DAMAGED, PLEASE CALL THE HELP LINE **1-800-856-4445 OR VISIT www.backyarddiscovery.com**
- LEA EL MANUAL DE ENSAMBLAJE COMPLETAMENTE, PRESTANDO ESPECIAL ATENCIÓN A LOS CONSEJOS ÚTILES IMPORTANTES Y A LA INFORMACIÓN SOBRE SEGURIDAD.
- DESPUÉS DE QUE HAYA LEÍDO EL MANUAL DE ENSAMBLAJE, PODRÁ DECIDIR SI NECESITA AYUDA PROFESIONAL PARA EFECTUAR EL ENSAMBLAJE DE LA ESTRUCTURA.
- SEPARE E IDENTIFIQUE TODAS LAS PIEZAS PARA COMPROBAR QUE DISPONE DE TODAS LAS PARTES INDICADAS.
- SI NO PUEDE ENCONTRAR TODAS LAS PIEZAS, REVISE EL MATERIAL DE EMPAQUE. ES POSIBLE QUE ALGUNAS PIEZAS PEQUEÑAS PUEDAN HABERSE CAÍDO ALLÍ DURANTE EL ENVÍO.
- MANTÉNGASE ALEJADO DE LOS NIÑOS MENORES A LA EDAD RECOMENDADA.
- SI TIENE PROBLEMAS CON EL ENSAMBLAJE O SI ALGUNA PIEZA FALTA O ESTÁ DAÑADA, LLAME A LA LÍNEA DE AYUDA AL **1-800-856-4445 O VISITE www.backyarddiscovery.com**

PLEASE HAVE THE FOLLOWING INFORMATION WHEN YOU MAKE YOUR CALL:

- 1 – MODEL NUMBER OF THE PRODUCT LOCATED ON THE FRONT OF THE ASSEMBLY MANUAL
- 2 – DESCRIPTION OF THE PART FROM THE PARTS LIST

POR FAVOR TENGA VISIBLE LA SIGUIENTE INFORMACIÓN CUANDO LLAME:

- 1 - NÚMERO DE MODELO DEL PRODUCTO QUE SE ENCUENTRA UBICADO AL FRENTE DEL MANUAL DE ENSAMBLAJE
- 2 - DESCRIPCIÓN DE LA PIEZA QUE SE ENCUENTRA EN LA LISTA DE PIEZAS

Owner's Manual Play Set

Dear Customer:

Please read entire booklet completely before beginning the assembly process.

Equipment is recommended for use by **children 3 to 10 years of age**. Structures are **not intended for public use**. The Company does not warranty any of its residential structures subjected to commercial use such as: Daycare, Preschool, Nursery School, Recreational Park, or any similar Commercial Application.



WARNING: This Symbol points out important safety instructions which, if not followed, could endanger the personal safety of yourself and your children and/or damage your property. You **MUST** read and follow all instructions in this manual before attempting to use this playcenter.



WARNING: Children must **NOT** use this playcenter until unit has been completely assembled and inspected by an adult to insure set has been properly installed and anchored.

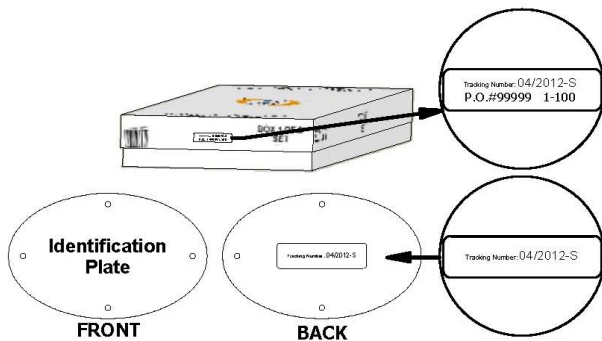
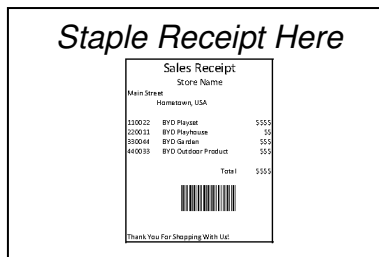
Please follow all recommendations below. **Failure to do so may result in the warranty being void and/or safety violations that could result in serious injury.** This manual contains helpful information concerning Assembly Preparation, Installation Procedure, and Required Maintenance. Always keep the safety of your children in mind as your play structure is being built and as your children play on the set. Before your children play on the set please review the Operation Instructions with them to help ensure their safety.

PLEASE RETAIN THESE INSTRUCTIONS FOR FUTURE REFERENCE. KEEP THEM IN A SAFE PLACE WHERE YOU CAN REFER TO THEM AS NEEDED. IN ORDER TO PROVIDE YOU WITH THE MOST EFFICIENT SERVICE, IT IS REQUIRED THAT YOU PROVIDE US WITH THE PART NUMBERS WHEN ORDERING PARTS.

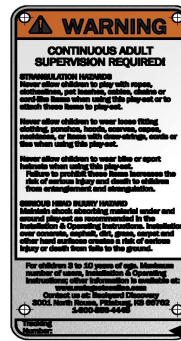
For Your Records:

Please take time and fill out the information below. This information will be needed for warranty issues.

Where Purchased: _____
 Date of Purchase: _____
 Installation Date: _____
 Installed by: _____
 Tracking Number: _____



OR



Tracking Number

Vertical ID Plate

Tracking Number Reference Label

Tracking ID number on the carton and back of the ID plate or vertical ID plate are included for tracking purposes associated with warranty claims.

Owner's Manual Play Set

Please refer to the Assembly section of the Assembly Manual for Maximum Fall Height.

Positioning Your Playcenter

1. The Playcenter is designed to be installed on a level surface **by an Adult with an Adult helper**. Place in a flat area of your yard to minimize ground preparation.
2. Choose a level location for the equipment. This can reduce the likelihood of the play set tipping over and loose-fill surfacing material washing away during heavy rains.
3. Place the equipment not less than **6 ft (1.8 m)** from any structure or obstruction such as a fence, garage, house, overhanging branches, laundry lines, or electrical wires.
4. Provide enough room so that the children can use the equipment safely. For example, for structures with multiple play activities, a slide should not exit in front of a swing.
5. It is a good idea to place your Playcenter in an area that is convenient for adults to watch children at play.
6. Create a site free of obstacles that could cause injuries – such as low overhanging tree branches, overhead wires, tree stumps and/or roots, large rocks, bricks and concrete. Additional suggestions in the Suggested Playground Surfacing Section.
7. Do not build your playset on top of surfacing material.
8. Locate bare metal platforms and slides out of direct sunlight to reduce the likelihood of serious burns. A slide that faces north will receive the least direct sunlight.
9. Separate active and quiet activities from each other. For example, locate sandboxes away from swings or use a guardrail or barrier to separate the sandbox from the movement of the swings.

Suggested Playground Surfacing

- ❑ Do not install home playground equipment over concrete, asphalt, packed earth, grass, carpet, or any other hard surface. A fall onto a hard surface can result in serious injury to the equipment user.
- ❑ Do not install loose fill surfacing over hard surfaces such as concrete or asphalt.
- ❑ Shredded bark mulch, wood chips, fine sand and fine gravel, are added as shock absorbing materials after assembly. If used properly these materials can absorb some of the impact of a child's fall.
- ❑ All surface material should extend a minimum of 6 feet in all directions around the play area.
- ❑ Do not apply playground surfacing until after the unit is completely constructed. Playset should not be built on top of surfacing.
- ❑ Use containment, such as digging out around the perimeter and/or lining the perimeter with landscape edging.
- ❑ Installations of rubber tiles or poured-in-place surfaces (other than loose-fill materials) generally require a professional and are not “do-it-yourself” projects.
- ❑ Shall use Playground Surfacing Materials (other than loose-fill material) which comply with the safety standard **ASTM F1292** Standard Specification of Impact Attenuation of Surfacing Materials within the Use Zone of Playground Equipment.

Owner's Manual Play Set

The following chart explains the fall height in feet from which a life threatening head injury would not be expected

Critical Heights in feet (m) of Tested Materials

Material	Uncompressed Depth			Compressed Depth
	6" (152mm)	9" (228mm)	12" (304mm)	to 9" (228mm)
Wood Chips	7' (2.13m)	10' (3.05m)	11' (3.35m)	10' (3.05m)
Double-Shredded bark mulch	6' (1.83m)	10' (3.05m)	11' (3.35m)	7' (2.13m)
Engineered Wood Fibers	6' (1.83m)	7' (2.13m)	>12' (3.66m)	6' (1.83m)
Fine Sand	5' (1.52m)	5' (1.52m)	9' (2.74m)	5' (1.52m)
Coarse Sand	5' (1.52m)	5' (1.52m)	6' (1.83m)	4' (1.22m)
Fine Gravel	5' (1.52m)	7' (2.13m)	10' (3.05m)	6' (1.83m)
Medium Gravel	5' (1.52m)	5' (1.52m)	6' (1.83m)	5' (1.52m)
Shredded Tires*	10-12' (3.0-3.6m)	N/A	N/A	N/A

*This data is from tests conducted by independent testing laboratories on a 6-inch depth of uncompressed shredded tire samples produced by four manufacturers. The tests reported critical heights, which varied from 10 feet to greater than 12 feet. It is recommended that persons seeking to install shredded tires as a protective surface request test data from the supplier showing the critical height of the material when it was tested in accordance with ASTM F1292.

Operating Instructions:



NOTE: Your children's safety is our #1 concern. Observing the following statements and warnings reduces the likelihood of serious or fatal injury. Please review these safety rules regularly with your children.

1. This Playcenter is designed for specific number of occupants whose combined weight **should not exceed** a designated weight on the elevated floor or the swing area, the total Unit capacity is outlined in the Basic Setup Dimensions section of instruction manual. The maximum fall height and recommended play area is also available in the Basic Setup Dimensions section of the manual for the specific unit.
2. On-site adult supervision is **required**.
3. Instruct children **not** to walk close to, in front of, behind, or between moving swings or other moving playground equipment.
4. Instruct children to sit in and **never** stand on swings
5. Instruct children **not** to twist the chains and ropes and not to loop them over the top support bar, since this may reduce the strength of the chain or rope.
6. Instruct children **not** to jump from swings or other playground equipment in motion.
7. Instruct children to **not to push** empty seats. The seat may hit them and cause serious injury.
8. Instruct and teach children to sit in the center of the swings with their full weight on the seats.
9. Instruct children **not** to use the equipment in a manner other than intended.
10. Instruct children to **always** go down slides feet first. Never slide head first.
11. Instruct children to **look** before they slide to make sure no one is at the bottom.
12. Instruct children to **never** run up a slide, as this increases their chances of falling.
13. The parents should **dress children appropriately**. (Examples would include the use of well-fitting shoes and the avoidance of ponchos, scarfs, and other loose-fitting clothing that is potentially hazardous while using equipment).
14. Instruct children **not** to climb when the equipment is wet.
15. Instruct children to **never** jump from a fort deck. They should always use the ladder, ramp or slide.
16. Instruct children to **never** crawl or walk across the top of monkey bars.
17. Instruct children to **never** crawl on top of a fort roof.

Owner's Manual Play Set

18. Verify that any suspended climbing ropes, chain, or cable are secured at both ends and that they cannot be looped back on it.
19. Instruct children **not** to attach items to the playground equipment that are not specifically designed for use with the equipment, such as, but not limited to, jump ropes, clothesline, pet leashes, cables and chain as they may cause a strangulation hazard.
20. Instruct children to **never** wrap their legs around swing chain.
21. Instruct children to **never** slide down the swing chain.
22. Instruct children to remove their bike or other sports helmet before playing on playground equipment.

Maintenance Instructions:

At the beginning of each play season:

- Tighten all hardware.
- Lubricate all metallic moving parts per manufacturer's instructions.
- Check all protective coverings on bolts, pipes, edges, and corners. Replace if they are loose, cracked, or missing.
- Check all moving parts including swing seats, ropes, cables, and chains for wear, rust, or other deterioration. Replace as needed.
- Check metal parts for rust. If found, sand and repaint using a non Lead-based paint meeting the requirements of **16 CFR 1303**.
- Check all wood members for deterioration and splinters. Sand down splinters and replace deteriorating wood members.
- Reinstall any plastic parts, such as swing seats or any other items that were removed for the cold season.
- Rake and check depth of loose fill protective surfacing materials to prevent compaction and to maintain appropriate depth. Replace as necessary.

Twice a month during play season:

- Tighten all hardware.
- Check all protective coverings on bolts, pipes, edges, & corners. Replace if they are loose, cracked, or missing.
- Rake and check depth of loose fill protective surfacing materials to prevent compaction and to maintain appropriate depth. Replace as necessary.
- Once a month during play season.
- Lubricate all metallic moving parts per manufacturer's instructions.
- Check all moving parts including swing seats, ropes, cables, and chains for wear, rust, or other deterioration. Replace as needed.

At the end of each play season or when the temperature drops below 32° F:

- Remove plastic swing seats and other items as specified by the manufacturer and take indoors or do not use.
- Rake and check depth of loose fill protective surfacing materials to prevent compaction and to maintain appropriate depth. Replace as necessary.

Owners shall be responsible for maintaining the legibility of the warning labels.

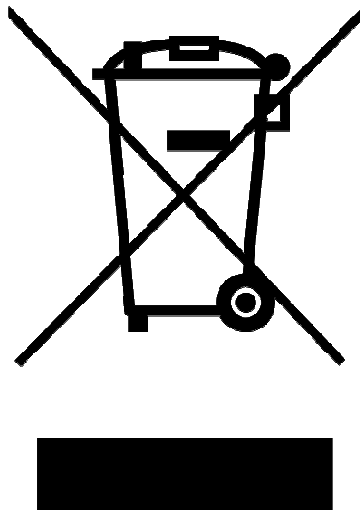
Owner's Manual Play Set

Additional Maintenance:

- Check the swing beam and hardware every two weeks due to wood expansion and contraction. It is particularly important that this procedure be followed at the beginning of each season.
- Inspect wood parts monthly. The grain of the wood sometimes will lift in the dry season causing splinters to appear. Light sand may be necessary to maintain a safe playing environment. Treat your playset with stain regularly, to help prevent severe checking/splitting and other weather damage.
- A waterbourne transparent stain has been applied to your playset. This is done for color only. Once or twice a year, depending on your climate conditions, you must apply some type of protection (sealant) to the wood of your unit. Prior to the application of sealant, lightly sand any "rough" spots on your playset. **Please note this is a requirement of your warranty.**
- Assembling and maintaining the playset on a level location is very important. As your children play, your playset will slowly dig its way into the soil, and it is very important that it settles evenly. Make sure the playset is level and true one each year or at the beginning of each play season.

Disposal Instructions:

When the Playcenter use is no longer desired, it should be disassembled and disposed of in such a way that no unreasonable hazards will exist at the time the unit is discarded.



Third Party Assembly:

Customer may, in their sole discretion, elect to use a third party person or service to assemble this product. Backyard Discovery assumes no responsibility or liability for any charge incurred by the Customer for any assembly services'.

Please see our warranty for more information about damaged and missing part replacement coverage. Backyard Discovery will not reimburse Customer for the price of parts purchased.

Owner's Manual Play Set

APPENDIX A

Information on Playground Surfacing Materials:

The following information is from the **United States Consumer Product Safety Commission's Information Sheet for playground surfacing material**; also see the following website for additional information: www.cpsc.gov/cpscpub/pubs/323.html.

X3. SECTION 4 OF THE CONSUMER PRODUCT SAFETY COMMISSION'S OUTDOOR HOME PLAYGROUND SAFETY HANDBOOK⁹

X3.1 *Select Protective Surfacing*—One of the most important things you can do to reduce the likelihood of serious head injuries is to install shock-absorbing protective surfacing under and around your play equipment. The protective surfacing should be applied to a depth that is suitable for the equipment height in accordance with ASTM Specification **F 1292**. There are different types of surfacing to choose from; whichever product you select, follow these guidelines:

X3.1.1 Loose-Fill Materials:

X3.1.1.1 Maintain a minimum depth of 9 inches of loose-fill materials such as wood mulch/chips, engineered wood fiber (EWF), or shredded/recycled rubber mulch for equipment up to 8 feet high; and 9 inches of sand or pea gravel for equipment up to 5 feet high. **NOTE:** An initial fill level of 12 inches will compress to about a 9-inch depth of surfacing overtime. The surfacing will also compact, displace, and settle, and should be periodically refilled to maintain at least a 9-inch depth.

X3.1.2 Use a minimum of 6 inches of protective surfacing for play equipment less than 4 feet in height. If maintained properly, this should be adequate. (At depths less than 6 inches, the protective material is too easily displaced or compacted.) **NOTE:** Do not install home playground equipment over concrete, asphalt, or any other hard surface. A fall onto a hard surface can result in serious injury to the equipment user. Grass and dirt are not considered protective surfacing because wear and environmental factors can reduce their shock absorbing effectiveness. Carpeting and thin mats are generally not adequate protective surfacing. Ground level equipment such as a sandbox, activity wall, playhouse or other equipment that has no elevated play surface – does not need any protective surfacing.

X3.1.3 Use containment, such as digging out around the perimeter and/or lining the perimeter with landscape edging. Don't forget to account for water drainage.

X3.1.3.1 Check and maintain the depth of the loose-fill surfacing material. To maintain the right amount of loose-fill materials, mark the correct level on play equipment support posts. That way you can easily see when to replenish and/or redistribute the surfacing.

X3.1.3.2 **Do not** install loose-fill surfacing over hard surfaces such as concrete or asphalt.

X3.1.4 Poured-In-Place Surfaces or Pre-Manufactured Rubber Tiles — You may be interested in using surfacing other than loose-fill materials – like rubber tiles or poured-in-place surfaces.

X3.1.4.1 Installations of these surfaces generally require a professional and are not “do-it-yourself” projects.

X3.1.4.2 Review surface specification before purchasing this type of surfacing. Ask the installer/manufacturer for a report showing that the product has been tested to the following safety standard: ASTM **F 1292** Standard Specification for Impact Attenuation of Surfacing Materials within the Use Zone of Playground Equipment. This report should show the specific height for which the surface is intended to protect against serious head injury. This height should be equal to or greater than the fall height – vertical distance between a designated play surface (elevated surface for standing, sitting, or climbing) and the protective surfacing below – of your play equipment.

X3.1.4.3 Check the protective surfacing frequently for wear.

X3.1.5 Placement — Proper placement and maintenance of protective surfacing is essential. Be sure to:

X3.1.5.1 Extend surfacing at least 6 feet from the equipment in all directions.

X3.1.5.2 For to-fro swings, extend protective surfacing in front of and behind the swing to a distance equal to twice the height of the top bar from which the swing is suspended.

⁹ This information has been extracted from the CPSC publications “Playground Surfacing — Technical Information Guide” and “Handbook for Public Playground Safety.” Copies of these reports can be obtained by sending a postcard to the: Office of Public Affairs, U.S. Consumer Product Safety Commission, Washington, D.C., 20207 or call the toll-free hotline: 1-800-638-2772.

The American Society for Testing and Materials takes no position respecting the validity of any parent right asserted in connection with any item mentioned in this standard. Users of this standard are expressly advised that determination of the validity of any such parent rights, and the risk of infringement of such rights, are entirely their own responsibility.

The standard is subject to revision at any time by the responsible technical committee and must be reviewed every five years and if not revised, either approved or withdrawn. Your comments are invited either for revision of this standard or for additional standards and should be addressed to ASTM Headquarters. Your comments will receive careful consideration at a meeting of the responsible technical committee, which you may attend. If you feel that your comments have not received a fair hearing you should make your views known to the ASTM Committee on Standards. 100 Barr Harbor Drive, West Conshohocken, PA 19428.

Owner's Manual Play Set

¹¹This information has been extracted from the CPSC publications “Playground Surfacing — Technical Information Guide” and “Handbook for Public Playground Safety.” Copies of these reports can be obtained by sending a postcard to: Office of Public Affairs, U.S. Consumer Product Safety Commission, Washington, D.C., 20207 or call the toll-free hotline: 1- 800-638-2772.

The American Society for Testing and Materials takes no position respecting the validity of any parent right asserted in connection with any item mentioned in this standard. Users of this standard are expressly advised that determination of the validity of any such parent rights, and the risk of infringement of such rights, are entirely their own responsibility.

The standard is subject to revision at any time by the responsible technical committee and must be reviewed every five years and if not revised, either approved or withdrawn. Your comments are invited either for revision of this standard or for additional standards and should be addressed to ASTM Headquarters. Your comments will receive careful consideration at a meeting of the responsible technical committee, which you may attend. If you feel that your comments have not received a fair hearing you should make your views known to the ASTM Committee on Standards. 100 Barr Harbor Drive, West Conshohocken, PA 19428.

Play Set Assembly Manual FAQs:

1. Does the area for the playset need to be level?

Yes. Backyard Discovery recommends the playset be positioned on a flat level area for maximum safety and durability. The stakes provided should be used to secure it firmly to the ground.

2. What size area is recommended for the playset?

Backyard Discovery recommends at least a 6' (six foot) perimeter around and above the playset for maximum safety.

3. What age range is appropriate for the playsets?

Backyard Discovery playsets are recommended for children ages 3 – 10 years.

4. Is the wood treated with chemicals?

Backyard Discovery uses 100% Chinese Cedar wood which is naturally bug resistant, decay and rot resistant. To help ensure your child's safety, our wood is completely chemical free and we do not use pressure-treated wood. The stain we use is a top coat using a water-based product that is for appearance only.

5. How often should the playset be stained?

Backyard Discovery recommends the playset be stained once each year. A water or oil based stain can be used at the customer's discretion.

6. Why does it seem that my swing set is developing cracks?

Wood is a natural material; no two pieces are exactly alike. Each piece has its own characteristics and personality and reacts differently to climate changes. When any wood product is exposed to the elements, it develops "wood checks". A check is the radial separation of the wood fibers running with the grain of the wood. These are caused by the varying temperature and moisture conditions. A check is not a crack – it does not affect the strength or durability of the wood or structural integrity of the play set.

7. Do Backyard Discovery playsets come with a warranty?

Yes. All Backyard Discovery products carry a 1-year replacement warranty on all parts for manufacturer's defect. Our wood carries a 5 year warranty on rot and decay as well. Please see warranty details for more information.

8. What is the best way to get started assembling the playset?

Backyard Discovery recommends taking all the parts out of the boxes and arranging them by part number before you begin any assembly. This will not only allow faster assembly, but will also identify any parts that may be missing or damaged so they can be replaced before assembly. If parts are missing or need replacement, go to www.backyarddiscovery.com/support.aspx and follow the prompts to order them. Next, read the assembly manual and get the tools ready for the job as recommended in the manual. If the assembly manual is lost or misplaced a new one can be printed from Backyard Discovery's website: www.backyarddiscovery.com

9. The playset seems to rock or sway too much. What's wrong?

Rocking is caused by uneven ground or obstructions such as rocks, roots, etc. under the ground rails. These should be removed and the ground underneath re-leveled to prevent rocking. Also ensure the playset is securely staked to the ground using the stakes provided.

10. The 2"x4" boards do not measure 2"x 4". Why not?

In the U.S. it is common practice to describe lumber dimensions using the rough cut sizes from the sawmill and not the finished dimensions. Retailers, home stores, etc. all use this accepted practice for describing lumber dimensions. However, Backyard Discovery playsets are designed and constructed using the actual dimensions so everything fits properly and remains so during the life of the playset.

11. The end beam is not straight up and down. Why not?

This is normal. Backyard Discovery designs playsets this way to ensure the strongest structure possible. The slight angle adds strength and reduces rocking and twisting.

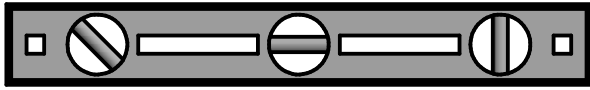
12. The S-hooks for the swings won't close. What is wrong?

Backyard Discovery recommends placing them on a hard surface such as concrete (don't do this on anything that will dent such as metal or finished wood or glass which will break!). It will take quite a few strokes, but the hooks will close.

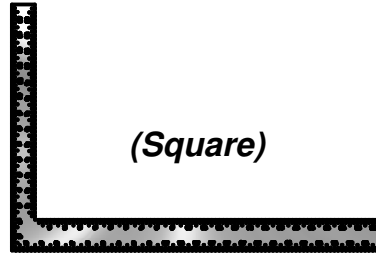
For more information and frequently asked questions, please refer to our website at www.backyarddiscovery.com.

Tools Required for Installation:

(These are the tools that are generally required for assembly of our outdoor products. These tools are not included with the outdoor product purchase.)



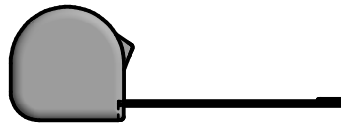
(Level 24")



(Square)



**(Open End Wrenches
9/16" & 1/2")**



(Tape Measure)



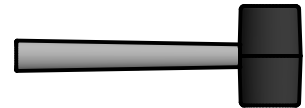
(Claw Hammer)



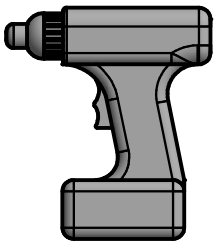
(Phillips Screw Driver)



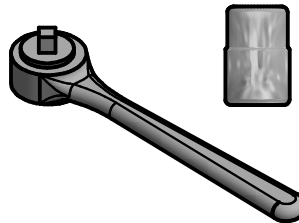
**(Drill Attachments: Phillips
Head & Socket Driver)**



(Rubber Mallet - Optional)



**(Cordless Drill
or Electric Drill)**



**(3/8" Drive Ratchet, 9/16"
& 1/2" STD Socket)**



**(3/8" & 7/16"
Drill Bits)**



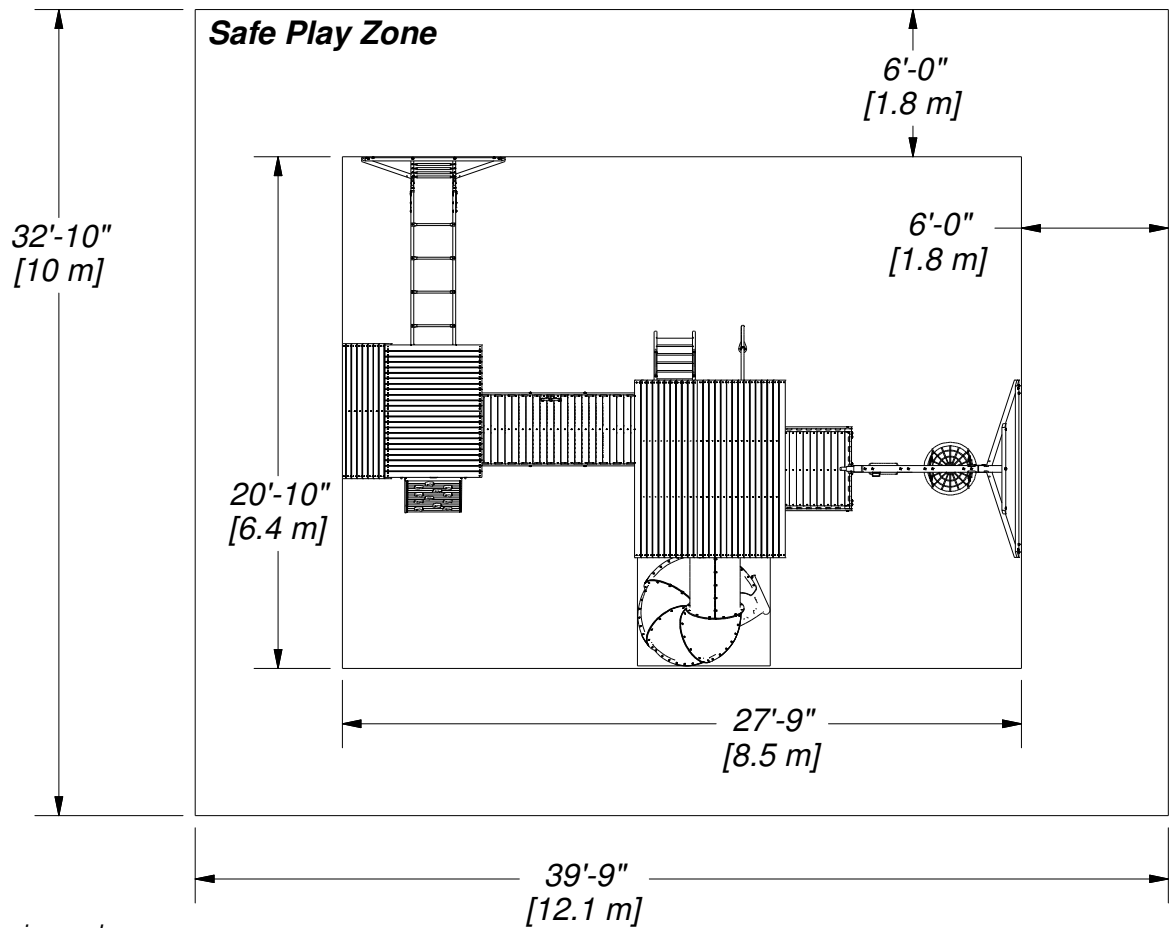
(An Adult w/ an Adult Helper)



(Ladder)

Basic Setup Dimensions - SkyLine Retreat

Place the set on level ground, not less than 6 ft [2 m] from any structure or obstruction such as a fence, garage, house, overhanging branches, laundry lines, or electrical wires.

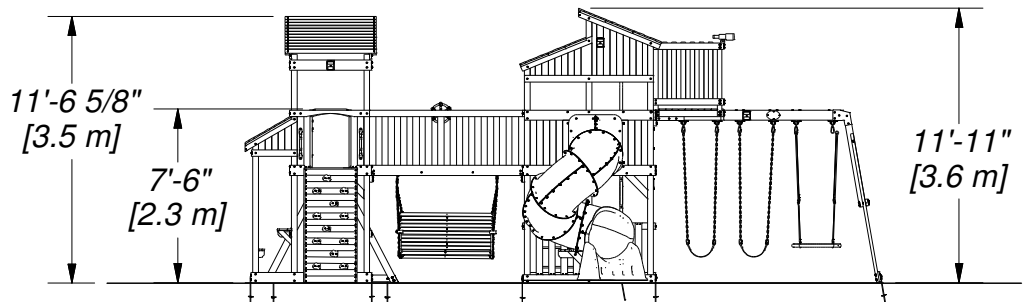


General Information:

Your set has been designed and engineered for children only and for residential use only. A maximum of 150 lbs. per child is recommended for play activities designed for individual use.

A maximum of 120 lbs. per child is recommended for play activities designed for multiple child use.

A maximum of 9 children is recommended for this swing set.



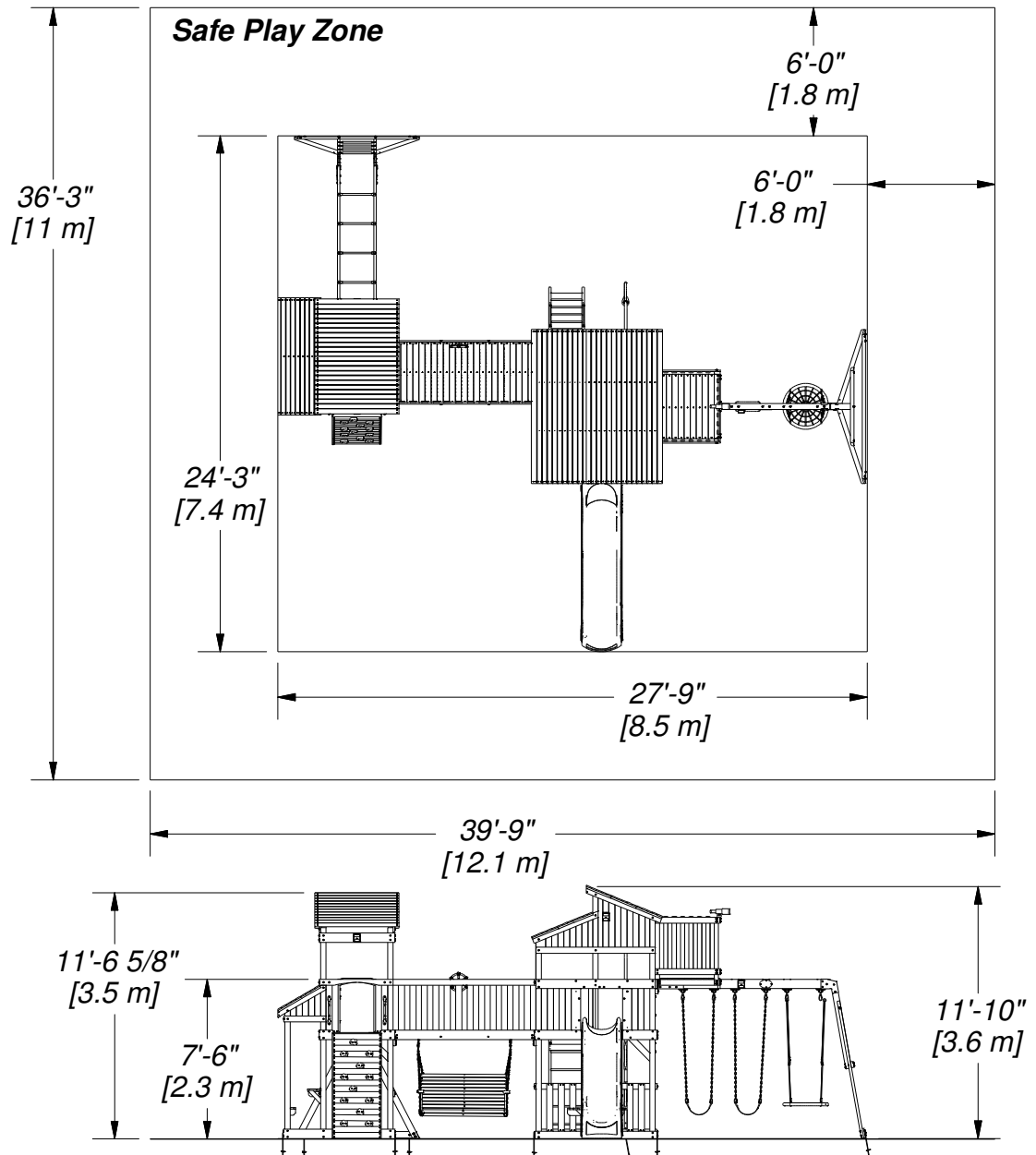
Safe play height: 17'-11" [5.4 m]
Maximum fall height: 7'-6" [2.3 m]

Important Assembly Notes

- 1) While assembling unit, take time before and after each phase to make sure fort is level. If fort is not level, assembly will be difficult and improper assembly may result. Extra care must be taken to ensure the fort is square.
- 2) Tighten bolts securely, tighten nuts on bolts flush to the tube or member.
- 3) Pay close attention to the ITEMS NEEDED FOR EACH PHASE. They can be a valuable aid when sorting your wood and hardware. Assembly will be made easier if items are sorted by phase.
- 4) Pay close attention to make sure you are using the correct hardware in the correct phases. Using incorrect hardware may result in improper assembly.
- 5) Whenever a T-nut is used, follow these directions. Place T-nut in pre-drilled hole. Tap in with hammer. Place bolt with washers in the opposite side. Hand tighten to make sure the bolt is in the T-nut. DO NOT over tighten.
- 6) Read the steps of each phase thoroughly. The written steps may include important information not shown in the illustrations.

Basic Setup Dimensions - Royal Retreat

Place the set on level ground, not less than 6 ft [2 m] from any structure or obstruction such as a fence, garage, house, overhanging branches, laundry lines, or electrical wires.



General Information:

Your set has been designed and engineered for children only and for residential use only.

A maximum of 150 lbs. per child is recommended for play activities designed for individual use.

A maximum of 120 lbs. per child is recommended for play activities designed for multiple child use.

A maximum of 9 children is recommended for this swing set.

Important Assembly Notes

Safe play height: 17'-11" [5.4 m]
Maximum fall height: 7'-6" [2.3 m]

- 1) While assembling unit, take time before and after each phase to make sure fort is level. If fort is not level, assembly will be difficult and improper assembly may result. Extra care must be taken to ensure the fort is square.
- 2) Tighten bolts securely, tighten nuts on bolts flush to the tube or member.
- 3) Pay close attention to the ITEMS NEEDED FOR EACH PHASE. They can be a valuable aid when sorting your wood and hardware. Assembly will be made easier if items are sorted by phase.
- 4) Pay close attention to make sure you are using the correct hardware in the correct phases. Using incorrect hardware may result in improper assembly.
- 5) Whenever a T-nut is used, follow these directions. Place T-nut in pre-drilled hole. Tap in with hammer. Place bolt with washers in the opposite side. Hand tighten to make sure the bolt is in the T-nut. DO NOT over tighten.
- 6) Read the steps of each phase thoroughly. The written steps may include important information not shown in the illustrations.

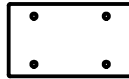
Parts Identification

Wood Components

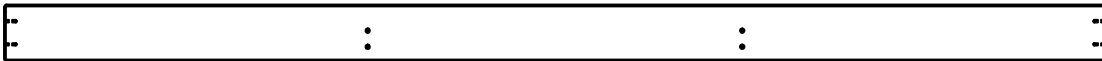
(NOT TO SCALE)



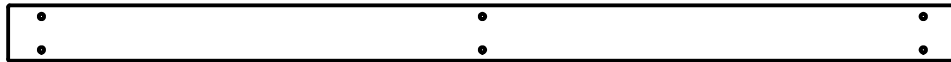
- (1) **A1 - SWING BEAM - W4L11376**
3 3/8"x5 1/4"x89 1/2" (86x134x2274)



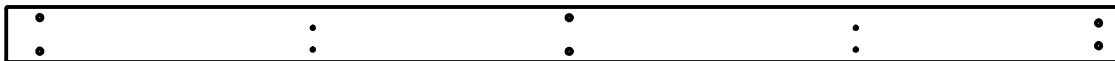
- (1) **A2 - SB 9" BLOCK - W4L08962**
3 3/8"x5 1/4"x9" (86x134x228)



- (1) **AD2 - RAIL - W4L11301**
1"x4"x80 1/4" (24x102x2038)



- (1) **AD3 - GROUND BOARD - W4L11256**
1"x4"x69 1/4" (24x102x1758)



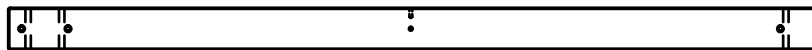
- (1) **AD4 - GROUND BOARD - W4L11257**
1"x4"x81 1/8" (24x102x2062)



- (1) **B01 - UPRIGHT - W4L11252**
3"x3"x59" (76x76x1500)



- (3) **B02 - UPRIGHT - W4L11253**
3"x3"x59" (76x76x1500)



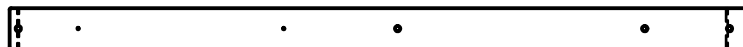
- (1) **B03 - UPRIGHT - W4L11255**
3"x3"x59" (76x76x1500)



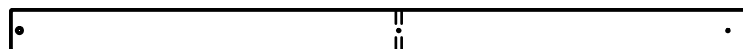
- (1) **B04 - UPRIGHT - W4L11278**
3"x3"x59" (76x76x1500)



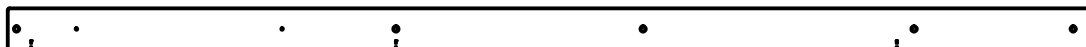
- (1) **B05 - UPRIGHT - W4L11254**
3"x3"x26 1/2" (76x76x672)



- (1) **B06 - UPRIGHT - W4L11283**
3"x3"x54" (76x76x1372)



- (2) **B07 - UPRIGHT - W4L11291**
3"x3"x54" (76x76x1372)

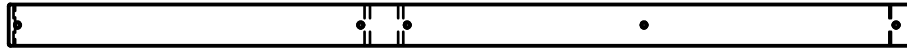


- (1) **B08 - UPRIGHT - W4L11284**
3"x3"x79" (76x76x2006)

Parts Identification

Wood Components

(NOT TO SCALE)



(1) **B09 - UPRIGHT - W4L08763**
3"x3"x66" (76x76x1676)



(2) **B10 - UPRIGHT - W4L11320**
3"x3"x59" (76x76x1500)



(2) **B11 - UPRIGHT - W4L11319**
3"x3"x72 3/4" (76x76x1848)



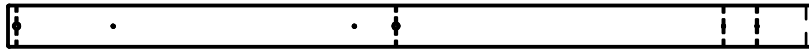
(1) **B12 - UPRIGHT - W4L11321**
3"x3"x59" (76x76x1500)



(1) **B13 - UPRIGHT - W4L11323**
3"x3"x16 1/2" (76x76x420)



(2) **B14 - UPRIGHT - W4L11333**
3"x3"x59" (76x76x1500)



(2) **B15 - UPRIGHT - W4L08781**
3"x3"x59" (76x76x1500)



(1) **B16 - UPRIGHT - W4L11408**
3"x3"x54" (76x76x1372)



(1) **B17 - UPRIGHT - W4L11409**
3"x3"x54 1/4" (76x76x1378)



(1) **B18 - UPRIGHT - W4L11285**
3"x3"x66" (76x76x1676)



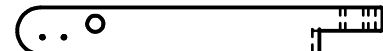
(2) **B19 - UPRIGHT - W4L08785**
3"x3"x59" (76x76x1500)



(2) **D1 - FLOOR RAIL - W4L11367**
1 3/8"x5 1/4"x15 1/8" (36x134x384)



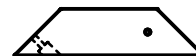
(8) **E01 - GUSSET - W4L11279**
1 3/8"x3 3/8"x20" (36x86x508)



(1) **E02 - RIGHT ARM REST - W4L11241**
1 3/8"x3 3/8"x26 5/8" (36x86x677)



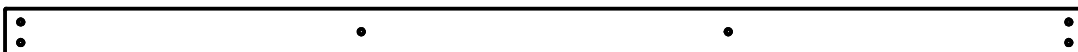
(1) **E03 - LEFT ARM REST - W4L11242**
1 3/8"x3 3/8"x26 5/8" (36x86x677)



(4) **E04 - GUSSET - W4L11280**
1 3/8"x3 3/8"x13 3/4" (36x86x350)



(1) **E05 - UPRIGHT - W4L11296**
1 3/8"x3 3/8"x66 1/2" (36x86x1690)



(2) **E06 - BRIDGE SUPPORT - W4L11312**
1 3/8"x3 3/8"x78 3/4" (36x86x2000)

Parts Identification

Wood Components

(NOT TO SCALE)



(2) **E07 - BRIDGE SUPPORT - W4L11359**
1 3/8"x3 3/8"x41 5/8" (36x86x1058)



(2) **E08 - UPRIGHT - W4L11364**
1 3/8"x3 3/8"x66 1/8" (36x86x1678)



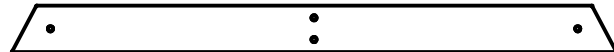
(2) **E09 - BENCH SUPPORT - W4L11281**
1 3/8"x3 3/8"x32" (36x86x812)



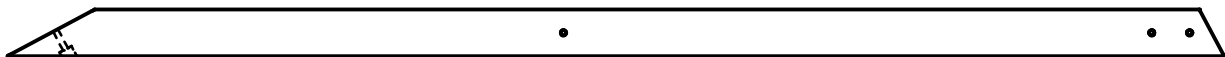
(2) **E10 - TABLE SUPPORT - W4L11282**
1 3/8"x3 3/8"x17" (36x86x432)



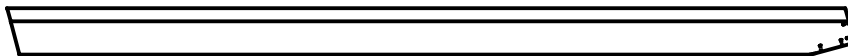
(2) **E11 - RAIL - W4L11366**
1 3/8"x3 3/8"x35 5/8" (36x86x906)



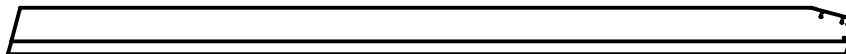
(1) **E50 - END SUPPORT - W4L11379**
1 3/8"x3 3/8"x44 1/8" (36x86x1120)



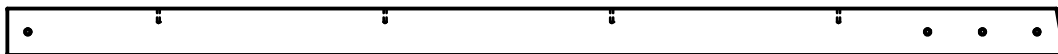
(2) **E51 - ANGLE BRACE - W4L11378**
1 3/8"x3 3/8"x88 3/4" (36x86x2254)



(1) **E72 - LEFT RAIL - W4L11419**
1 3/8"x3 3/8"x61 3/4" (36x86x1570)



(1) **E73 - RIGHT RAIL - W4L11420**
1 3/8"x3 3/8"x61 3/4" (36x86x1570)



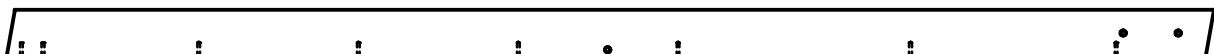
(2) **E74 - MONKEY BAR RAIL - W4L11426**
1 3/8"x3 3/8"x77 1/8" (36x86x1959)



(1) **E77 - LEFT UPRIGHT - W4L11414**
1 3/8"x3 3/8"x64 3/8" (36x86x1634)



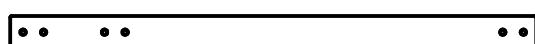
(1) **E78 - RIGHT UPRIGHT - W4L11415**
1 3/8"x3 3/8"x64 3/8" (36x86x1634)



(2) **E79 - MONKEY BAR UPRIGHT - W4L11427**
1 3/8"x3 3/8"x88 1/8" (36x86x2237)



(2) **F1 - RAIL - W4L11365**
1 3/8"x2 3/8"x35" (36x60x888)

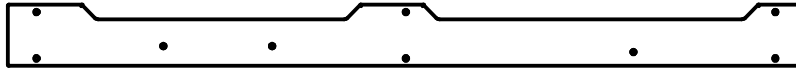


(2) **F2 - UPRIGHT - W4L11374**
1 3/8"x2 3/8"x38 3/8" (36x60x975)

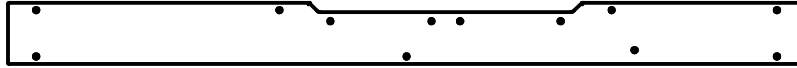
Parts Identification

Wood Components

(NOT TO SCALE)



(1) **G01 - DECK RAIL - W4L11274**
1"x5 1/4"x69 1/8" (24x134x1756)



(1) **G02 - DECK RAIL - W4L11270**
1"x5 1/4"x69 1/4" (24x134x1758)



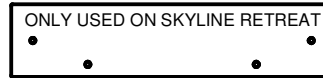
(1) **G03 - DECK RAIL - W4L11271**
1"x5 1/4"x80 1/4" (24x134x2038)



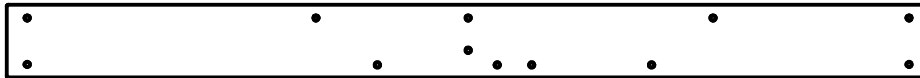
(1) **G04 - DECK RAIL - W4L11275**
1"x5 1/4"x80 1/4" (24x134x2038)



(2) **G05 - WALL BOARD - W4L08772**
1"x5 1/4"x30" (24x134x762)



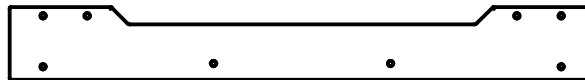
(2) **G06 - WALL BOARD - W4L08773**
1"x5 1/4"x23 1/2" (24x134x596)



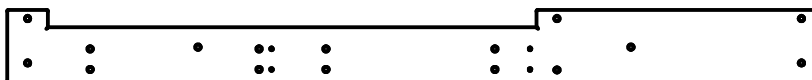
(1) **G07 - RAIL - W4L11288**
1"x5 1/4"x67 3/8" (24x134x1710)



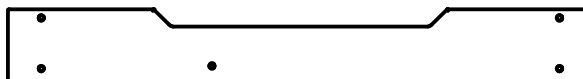
(2) **G08 - BRIDGE RAIL - W4L11311**
1"x5 1/4"x80 5/8" (24x134x2048)



(1) **G09 - DECK RAIL - W4L11328**
1"x5 1/4"x42 5/8" (24x134x1084)



(1) **G10 - DECK RAIL - W4L11327**
1"x5 1/4"x59 1/2" (24x134x1510)

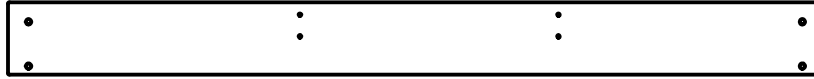


(1) **G11 - DECK RAIL - W4L11329**
1"x5 1/4"x42 5/8" (24x134x1084)

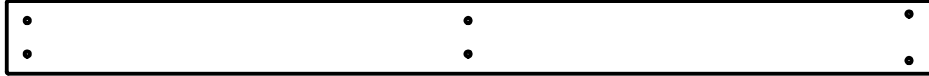
Parts Identification

Wood Components

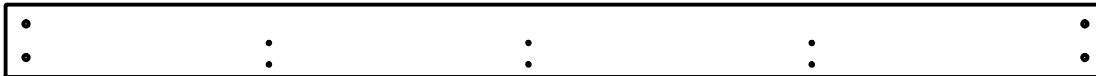
(NOT TO SCALE)



- (1) **G12 - DECK RAIL - W4L11330**
1"x5 1/4"x59 1/2" (24x134x1510)



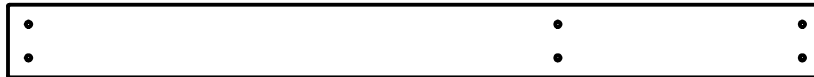
- (1) **G13 - GROUND BOARD - W4L11258**
1"x5 1/4"x68" (24x134x1726)



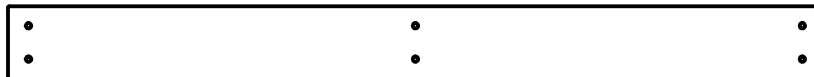
- (1) **G14 - GROUND BOARD - W4L11259**
1"x5 1/4"x80 1/4" (24x134x2038)



- (2) **G15 - GROUND BOARD - W4L11318**
1"x5 1/4"x62 7/8" (24x134x1598)



- (1) **G16 - GROUND BOARD - W4L11316**
1"x5 1/4"x59 1/2" (24x134x1510)



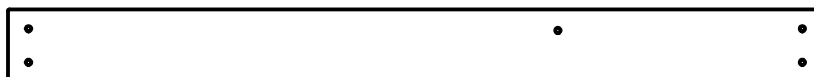
- (1) **G17 - GROUND BOARD - W4L11322**
1"x5 1/4"x59 1/2" (24x134x1510)



- (1) **G18 - GROUND BOARD - W4L11317**
1"x5 1/4"x59 1/2" (24x134x1510)



- (1) **G19 - WALL RAIL - W4L11334**
1"x5 1/4"x59 1/2" (24x134x1510)



- (1) **G20 - WALL RAIL - W4L11335**
1"x5 1/4"x59 1/2" (24x134x1510)



- (2) **G21 - WALL RAIL - W4L11336**
1"x5 1/4"x42 5/8" (24x134x1084)

Parts Identification

Wood Components

(NOT TO SCALE)



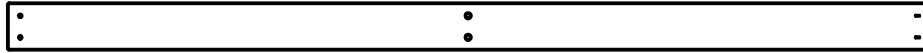
- (1) **G50 - GROUND BOARD - W4L11380**
1"x5 1/4"x86 3/4" (24x134x2202)



- (1) **G75 - BRACE - W4L08784**
1"x5 1/4"x30 1/2" (24x134x774)



- (4) **H01 - FLOOR SUPPORT - W4L11260**
1"x3 3/8"x29" (24x86x738)



- (1) **H02 - JOIST - W4L11261**
1"x3 3/8"x67 1/8" (24x86x1706)



- (4) **H03 - JOIST - W4L11262**
1"x3 3/8"x67 1/4" (24x86x1708)



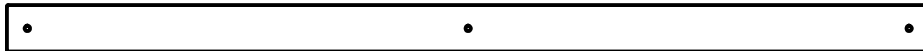
- (5) **H04 - BLOCK - W4L11263**
1"x3 3/8"x3" (24x86x76)



- (2) **H05 - SIDE BACK RAIL - W4L11247**
1"x3 3/8"x24 3/4" (24x86x630)



- (1) **H06 - RAIL - W4L08768**
1"x3 3/8"x78 7/8" (24x86x2002)



- (1) **H07 - WALL RAIL - W4L11287**
1"x3 3/8"x67 3/8" (24x86x1710)



- (1) **H08 - CENTER SEAT SUPPORT - W4L11250**
1"x3 3/8"x21 3/4" (24x86x551)



- (2) **H09 - SIDE SEAT SUPPORT - W4L11251**
1"x3 3/8"x21 3/4" (24x86x551)



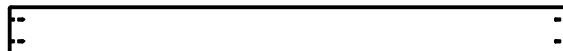
- (2) **H10 - SWING RAIL SUPPORT - W4L11245**
1"x3 3/8"x13" (24x86x330)



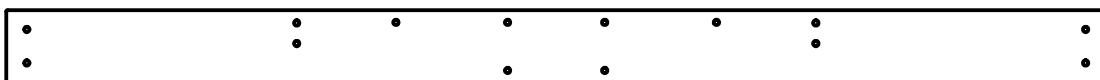
- (1) **H11 - CENTER BACK RAIL - W4L11248**
1"x3 3/8"x24 3/4" (24x86x630)



- (2) **H12 - BRIDGE RAIL - W4L11314**
1"x3 3/8"x86 5/8" (24x86x2200)



- (2) **H13 - JOIST - W4L11331**
1"x3 3/8"x40 3/4" (24x86x1036)



- (1) **H14 - RAIL - W4L08777**
1"x5 1/4"x80 1/4" (24x134x2038)

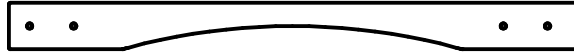
Parts Identification

Wood Components

(NOT TO SCALE)



(1) H15 - JOIST - W4L11277
1"x3 3/8"x67 1/8" (24x86x1706)



(1) H16 - ARCH RAIL - W4L11339
1"x3 3/8"x41 3/4" (24x86x1060)



(1) H17 - ARCH RAIL - W4L11340
1"x3 3/8"x42 5/8" (24x86x1084)



(1) H18 - WALL RAIL - W4L11338
1"x3 3/8"x20 7/8" (24x86x529)



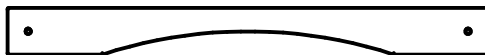
(1) H19 - WALL RAIL - W4L11337
1"x3 3/8"x59 1/2" (24x86x1510)



(1) H22 - WALL RAIL - W4L11286
1"x3 3/8"x80 1/4" (24x86x2038)



(1) H24 - WALL RAIL - W4L11410
1"x3 3/8"x67 3/8" (24x86x1710)



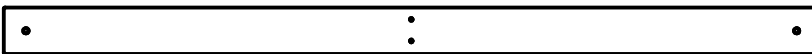
(1) H25 - ARCH RAIL - W4L11290
1"x3 3/8"x35 1/8" (24x86x891)



(1) H27 - ROOF JOIST - W4L08780
1"x3 3/8"x28 3/4" (24x86x730)



(1) H28 - WALL RAIL - W4L11289
1"x3 3/8"x41 5/8" (24x86x1058)



(1) H29 - RAIL - W4L11325
1"x3 3/8"x59 1/2" (24x86x1510)



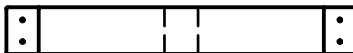
(4) H30 - BENCH SUPPORT - W4L11324
1"x3 3/8"x6" (24x86x152)



(1) H31 - SUPPORT - W4L11326
1"x3 3/8"x6" (24x86x152)



(1) H32 - RAIL - W4L08778
1 3/8"x3"x40 3/8" (36x76x1024)



(1) H33 - PICKET - W4L11412
1"x3 3/8"x25 1/2" (24x86x648)



(2) H34 - ROOF RAIL - W4L08767
1"x3"x34 7/8" (24x76x886)

Parts Identification

Wood Components

(NOT TO SCALE)



(2) **H35 - ROOF RAIL - W4L11302**
1"x3"x42 1/4" (24x76x1072)



(2) **H36 - ROOF RAIL - W4L08766**
1"x3 3/8"x40 3/8" (24x86x1024)



(2) **H37 - ROOF RAIL - W4L11300**
1"x3 3/8"x46 1/4" (24x86x1176)



(2) **H38 - RAIL - W4L11371**
1"x3 3/8"x36 5/8" (24x86x930)



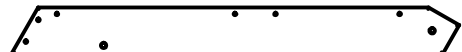
(2) **H39 - RAIL - W4L11372**
1"x3 3/8"x39 1/4" (24x86x996)



(2) **H40 - RAIL - W4L11373**
1"x3 3/8"x36 5/8" (24x86x929)



(4) **H41 - ROOF RAIL - W4L08769**
1"x3 3/8"x37" (24x86x940)



(2) **H42 - ROOF RAIL - W4L08770**
1"x3 3/8"x32 5/8" (24x86x830)



(1) **H43 - RAIL - W4L11267**
1"x3 3/8"x80 1/4" (24x86x2038)



(1) **H44 - RAIL - W4L11268**
1"x3 3/8"x68 1/4" (24x86x1734)



(1) **H45 - SAFETY RAIL - W4L08776**
1"x3 3/8"x59 1/2" (24x86x1510)



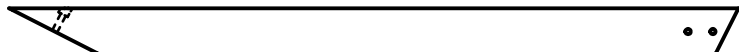
(1) **H46 - WALL RAIL - W4L08775**
1"x3 3/8"x42 1/2" (24x86x1081)



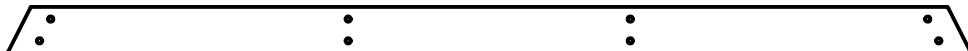
(5) **H76 - LADDER RUNG - W4L11416**
1"x3 3/8"x18 1/8" (24x86x460)



(1) **H78 - VS SUPPORT - W4L08786**
1"x3 3/8"x22" (24x86x558)



(2) **H81 - MONKEY BAR BRACE - W4L11428**
1"x3 3/8"x53 1/4" (24x86x1352)



(1) **H82 - MONKEY BAR GROUND BOARD - W4L11429**
1"x3 3/8"x70 3/8" (24x86x1786)



(2) **J1 - GUSSET - W4L11332**
1"x2 3/8"x10 1/4" (24x60x262)



(4) **J2 - WINDOW BOARD - W4L11411**
1"x2 3/8"x25 1/2" (24x60x648)

Parts Identification

Wood Components

(NOT TO SCALE)



(1) **J3 - WINDOW RAIL - W4L11413**
1"x2 3/8"x53 1/2" (24x60x1358)



(2) **L1 - WALL BOARD - W4L11400**
5/8"x4 3/8"x24 5/8" (16x112x626)



(1) **M01 - SWING SEAT SUPPORT - W4L11246**
5/8"x3 3/8"x44 3/4" (16x86x1138)



(1) **M02 - SWING BACK SUPPORT - W4L11249**
5/8"x3 3/8"x46 3/4" (16x86x1186)



(1) **M03 - FLOOR BOARD - W4L11266**
5/8"x3"x35 5/8" (16x76x904)



(3) **M04 - FLOOR BOARD - W4L11273**
5/8"x3 3/8"x80 1/4" (16x86x2038)



(2) **M05 - FLOOR BOARD - W4L11272**
5/8"x3"x80 1/4" (16x76x2038)



(1) **M06 - WALL RAIL - W4L11353**
5/8"x3 3/8"x59 1/2" (16x86x1510)



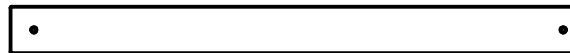
(2) **M07 - WALL RAIL - W4L11355**
5/8"x3 3/8"x23 7/8" (16x86x606)



(35) **M08 - PICKET - W4L11269**
5/8"x3 3/8"x27" (16x86x686)



(66) **M09 - WALL BOARD - W4L11292**
5/8"x3 3/8"x30" (16x86x762)



(2) **M10 - WALL RAIL - W4L11298**
5/8"x3 3/8"x41 1/8" (16x86x1044)



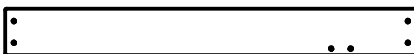
(19) **M11 - WALL BOARD - W4L11295**
5/8"x3 3/8"x66" (16x86x1676)



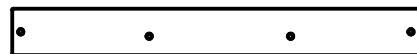
(23) **M12 - FLOOR BOARD - W4L11313**
5/8"x3 3/8"x33 7/8" (16x86x860)



(2) **M13 - WALL BOARD - W4L11341**
5/8"x3 3/8"x30" (16x86x762)



(1) **M14 - WALL BOARD - W4L11358**
5/8"x3 3/8"x30" (16x86x762)



(2) **M15 - WALL BOARD - W4L11362**
5/8"x3 3/8"x30" (16x86x762)

Parts Identification

Wood Components

(NOT TO SCALE)



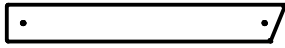
(1) **M16 - FLOOR BOARD - W4L11264**
5/8"x3"x74 1/4" (16x76x1886)



(1) **M17 - FLOOR BOARD - W4L11265**
5/8"x3"x35 5/8" (16x76x904)



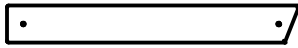
(10) **M18 - FLOOR BOARD - W4L11370**
5/8"x3 3/8"x36 3/8" (16x86x924)



(2) **M19 - WALL BOARD - W4L08764**
5/8"x2 5/8"x20 3/8" (16x68x516)



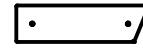
(2) **M20 - WALL BOARD - W4L11294**
5/8"x3 3/8"x22 3/4" (16x86x578)



(2) **M21 - WALL BOARD - W4L11375**
5/8"x2 5/8"x21 3/8" (16x68x542)



(2) **M22 - WALL BOARD - W4L11398**
5/8"x3 3/8"x12 1/2" (16x86x318)



(2) **M23 - WALL BOARD - W4L08765**
5/8"x2 5/8"x9 5/8" (16x68x246)



(1) **M24 - FLOOR BOARD - W4L11369**
5/8"x3 3/8"x36 3/8" (16x86x924)



(2) **M25 - WALL BOARD - W4L11363**
5/8"x3 1/8"x30" (16x80x762)



(2) **M26 - WALL BOARD - W4L11381**
5/8"x2 5/8"x32 1/4" (16x68x820)



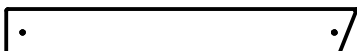
(2) **M27 - WALL BOARD - W4L11382**
5/8"x3 3/8"x31 1/8" (16x86x792)



(2) **M28 - WALL BOARD - W4L11383**
5/8"x3 3/8"x29 3/4" (16x86x757)



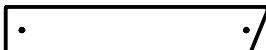
(2) **M29 - WALL BOARD - W4L11385**
5/8"x3 3/8"x27" (16x86x685)



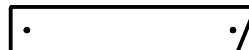
(2) **M30 - WALL BOARD - W4L11386**
5/8"x3 3/8"x25 5/8" (16x86x650)



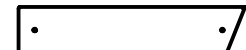
(2) **M31 - WALL BOARD - W4L11387**
5/8"x3 3/8"x24 1/8" (16x86x614)



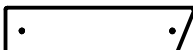
(2) **M32 - WALL BOARD - W4L11388**
5/8"x3 3/8"x19 1/4" (16x86x488)



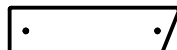
(2) **M33 - WALL BOARD - W4L11389**
5/8"x3 3/8"x17 7/8" (16x86x454)



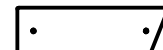
(2) **M34 - WALL BOARD - W4L11390**
5/8"x3 3/8"x16 1/2" (16x86x420)



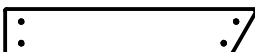
(2) **M35 - WALL BOARD - W4L11392**
5/8"x3 3/8"x13 7/8" (16x86x351)



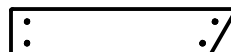
(2) **M36 - WALL BOARD - W4L11393**
5/8"x3 3/8"x12 1/2" (16x86x316)



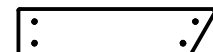
(2) **M37 - WALL BOARD - W4L11394**
5/8"x3 3/8"x11 1/8" (16x86x281)



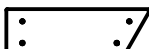
(2) **M38 - WALL BOARD - W4L11395**
5/8"x3 3/8"x18 3/8" (16x86x468)



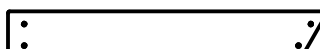
(2) **M39 - WALL BOARD - W4L11396**
5/8"x3 3/8"x16 1/2" (16x86x418)



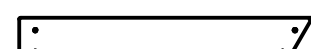
(2) **M40 - WALL BOARD - W4L11397**
5/8"x3 3/8"x14 1/2" (16x86x368)



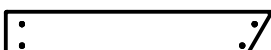
(2) **M41 - WALL BOARD - W4L11399**
5/8"x3 3/8"x10 1/2" (16x86x268)



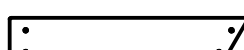
(4) **M43 - WALL BOARD - W4L11401**
5/8"x3 3/8"x23 3/8" (16x86x593)



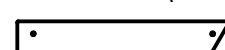
(4) **M44 - WALL BOARD - W4L11402**
5/8"x3 3/8"x21 3/8" (16x86x543)



(3) **M45 - WALL BOARD - W4L11403**
5/8"x3 3/8"x19 3/8" (16x86x493)



(4) **M46 - WALL BOARD - W4L11404**
5/8"x3 3/8"x17 1/2" (16x86x443)

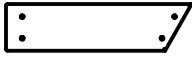


(4) **M47 - WALL BOARD - W4L11405**
5/8"x3 3/8"x15 1/2" (16x86x394)

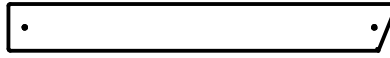
Parts Identification

Wood Components

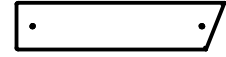
(NOT TO SCALE)



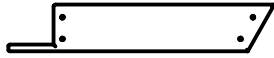
(4) **M48 - WALL BOARD - W4L11406**
5/8"x3 3/8"x13 1/2" (16x86x344)



(2) **M49 - WALL BOARD - W4L11384**
5/8"x3 3/8"x28 3/8" (16x86x720)



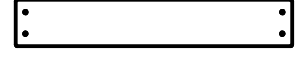
(2) **M50 - WALL BOARD - W4L11391**
5/8"x3 3/8"x15 1/4" (16x86x386)



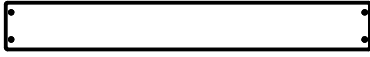
(1) **M53 - WALL BOARD - W4L08782**
5/8"x3 3/8"x19 3/8" (16x86x493)



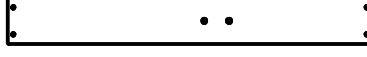
(2) **M54 - WALL BOARD - W4L08779**
5/8"x3 3/8"x30" (16x86x762)



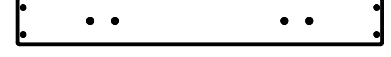
(1) **M73 - REAR SUPPORT - W4L11417**
5/8"x3 3/8"x20 1/8" (16x86x512)



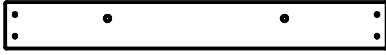
(10) **M74 - ROCK WALL BOARD - W4L11421**
5/8"x3 3/8"x26 5/8" (16x86x675)



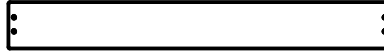
(4) **M75 - ROCK WALL BOARD - W4L11423**
5/8"x3 3/8"x26 5/8" (16x86x675)



(4) **M76 - ROCK WALL BOARD - W4L11422**
5/8"x3 3/8"x26 5/8" (16x86x675)



(1) **M105 - ATTACHMENT BOARD - W4L11425**
5/8"x3 3/8"x27 7/8" (16x86x707)



(1) **M106 - ROCK WALL TOP BOARD - W4L11424**
5/8"x3 3/8"x27 7/8" (16x86x707)



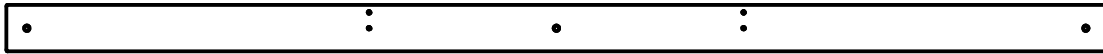
(1) **M110 - ATTACHMENT BOARD - W4L11418**
5/8"x3 3/8"x20 1/8" (16x86x512)



(5) **N1 - WALL BOARD - W4L11293**
5/8"x2 3/8"x30" (16x60x762)



(1) **N2 - WALL BOARD - W4L11349**
5/8"x2 3/8"x27" (16x60x686)



(1) **N3 - ROOF RAIL - W4L11308**
5/8"x3 3/8"x80 1/4" (16x86x2038)



(2) **N4 - WALL BOARD - W4L11299**
5/8"x2 3/8"x66" (16x60x1676)



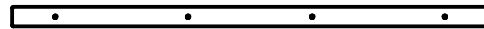
(2) **N5 - PICKET - W4L08774**
5/8"x2 3/8"x30" (16x60x762)



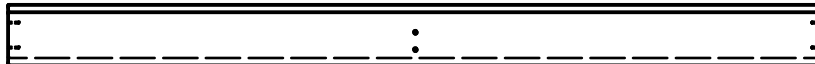
(19) **N6 - PICKET - W4L11361**
5/8"x2 3/8"x32 3/8" (16x60x823)



(4) **P1 - FLOOR SUPPORT - W4L11276**
1 3/8"x1 3/8"x29 1/8" (36x36x740)



(2) **P2 - FLOOR SUPPORT - W4L11357**
1 3/8"x1 3/8"x34 3/4" (36x36x882)



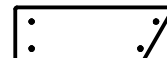
(1) **Q1 - RAIL - W4L08783**
1"x4 3/8"x59 1/2" (24x112x1510)



(1) **SP1 - BRIDGE JOIST - W4L11315**
3 3/8"x3 3/8"x78 3/4" (86x86x2000)



(1) **SP50 - SWING BEAM SUPPORT - W4L11377**
3 3/8"x3 3/8"x49 3/8" (86x86x1254)



(4) **Y2 - WALL BOARD - W4L11407**
5/8"x4"x11 5/8" (16x102x294)



(10) **T2 - SWING BACK BOARD - W4L11243**
1"x1 3/8"x48 5/8" (24x36x1234)

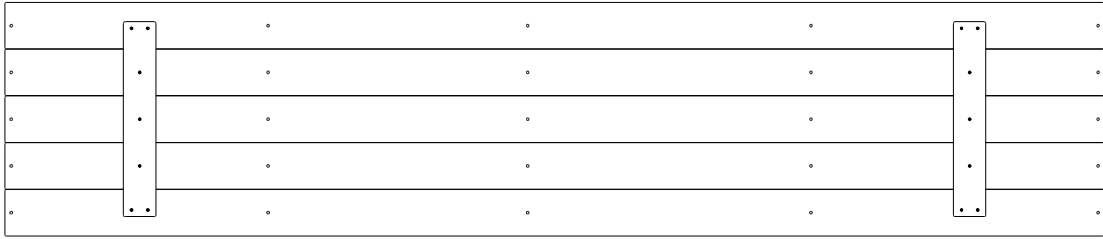


(10) **T3 - SWING SEAT BOARD - W4L11244**
1"x1 3/8"x46 3/4" (24x36x1186)

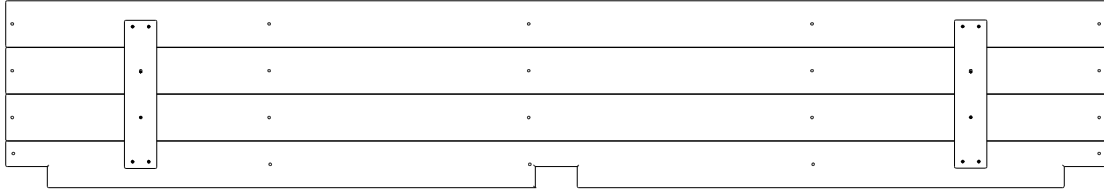
Parts Identification

Wood Components

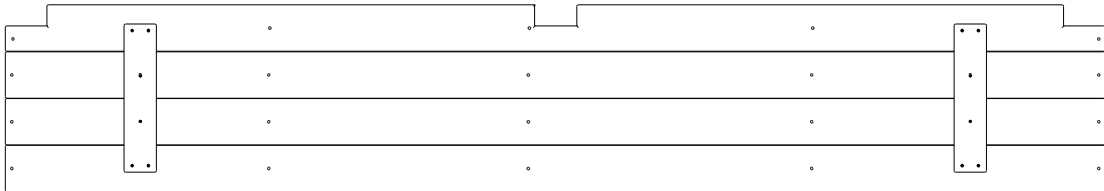
(NOT TO SCALE)



(5) FP1 - FLOOR PANEL - W2A02501
1 1/4"x17"x80 1/4" (32x432x2038)



(1) FP2 - FLOOR PANEL - W2A02502
1 1/4"x10 1/4"x80 1/4" (32x346x2038)



(1) FP3 - FLOOR PANEL - W2A02503
1 1/4"x13 5/8"x80 1/4" (32x346x2038)



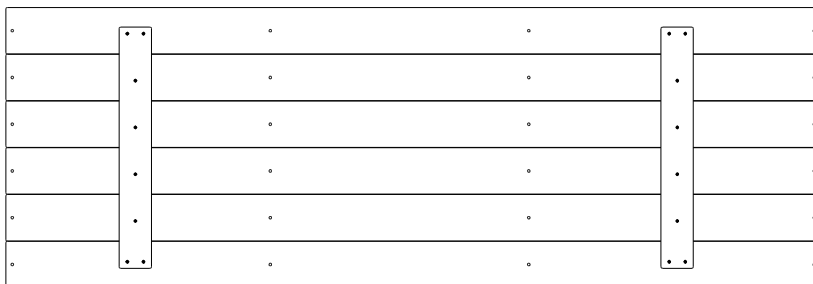
(2) PP2 - PICNIC BENCH - W2A02504
1 5/8"x6 3/4"x40 1/4" (36x173x1022)



(1) PP4 - SERVING BENCH - W2A02505
1 5/8"x6"x59 1/2" (36x152x1510)



(1) PP3 - SERVING TABLE - W2A02506
1 5/8"x10 1/2"x59 1/2" (40x268x1510)



(2) FP4 - FLOOR PANEL - W2A02507
1 1/4"x20 3/8"x59 1/2" (32x519x1510)

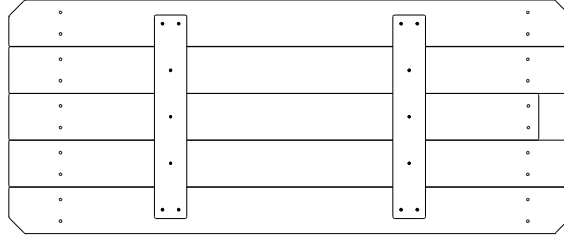
Parts Identification

Wood Components

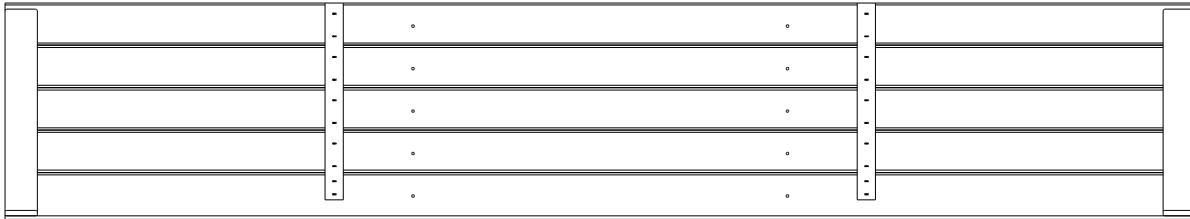
(NOT TO SCALE)



(1) WP1 - UPRIGHT - W2A02508
3 1/16"x3"x59" (78x76x1500)



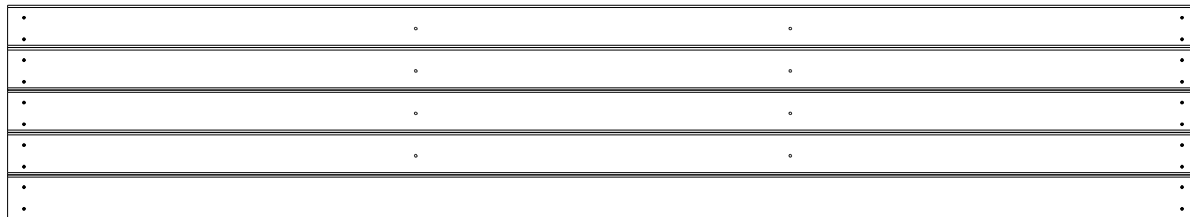
(1) PP1 - PICNIC TABLE - W2A02509
1 5/8"x17"x41" (36x432x1042)



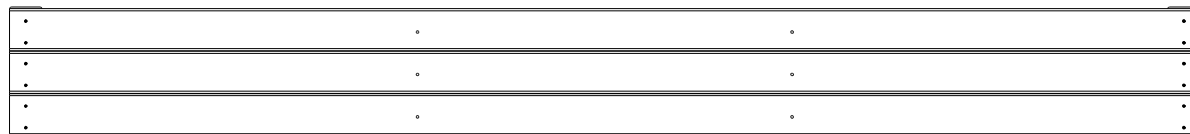
(1) RP1 - ROOF PANEL - W2A02512
1 9/16"x15 3/4"x86 7/8" (40x400x2206)



(1) RP2 - ROOF PANEL - W2A02513
1 9/16"x15 3/4"x86 7/8" (40x400x2206)



(2) RP4 - UPRIGHT - W2A02514
1 9/16"x16 1/8"x86 7/8" (40x410x2206)

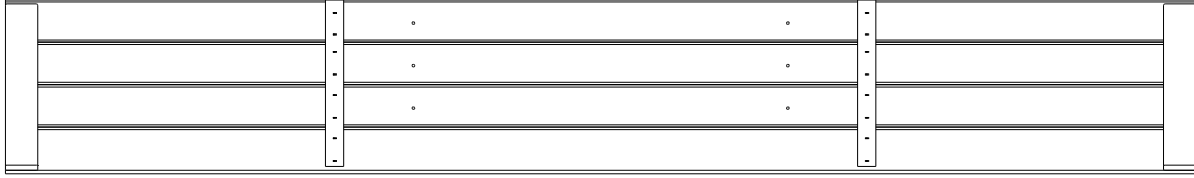


(1) RP6 - ROOF PANEL - W2A02516
1 9/16"x9 11/16"x86 7/8" (40x246x2206)

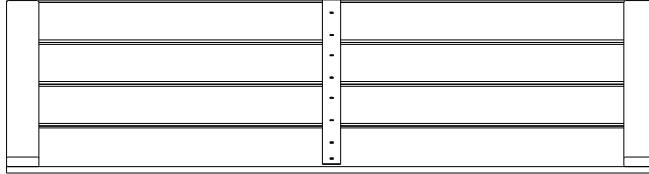
Parts Identification

Wood Components

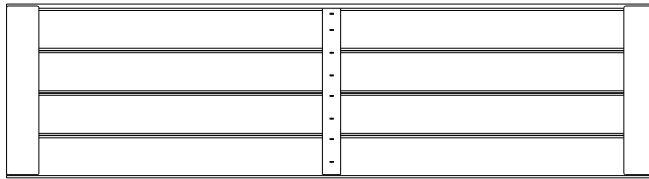
(NOT TO SCALE)



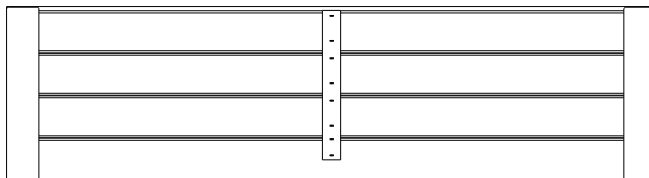
(1) RP7 - ROOF PANEL - W2A02517
1 9/16"x12 11/16"x86 7/8" (40x322x2206)



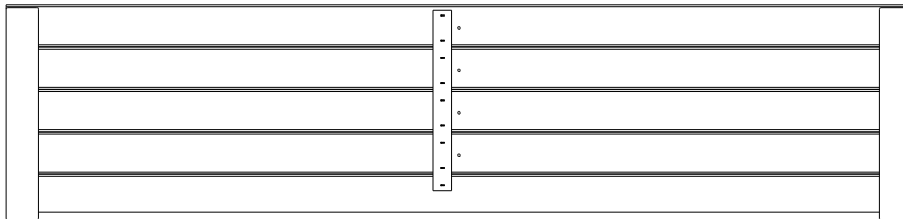
(2) RP8 - ROOF PANEL - W2A02518
1 9/16"x12 5/8"x47 3/8" (40x322x1204)



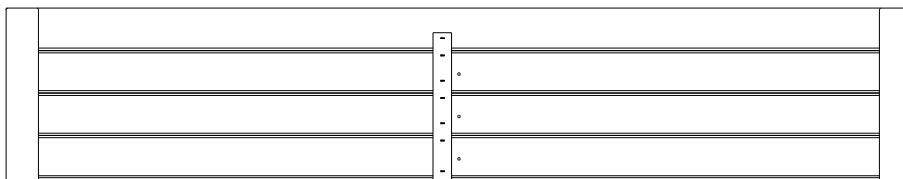
(2) RP9 - ROOF PANEL - W2A02519
1 9/16"x12 5/8"x47 3/8" (40x322x1204)



(2) RP10 - ROOF PANEL - W2A02520
1 9/16"x13 1/4"x47 3/8" (40x335x1204)



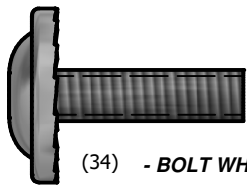
(1) RP11 - ROOF PANEL - W2A02521
1 9/16"x16 1/4"x66 1/16" (40x413x1678)



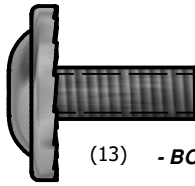
(1) RP12 - ROOF PANEL - W2A02522
1 9/16"x12 11/16"x66 1/16" (40x323x1678)

Parts Identification

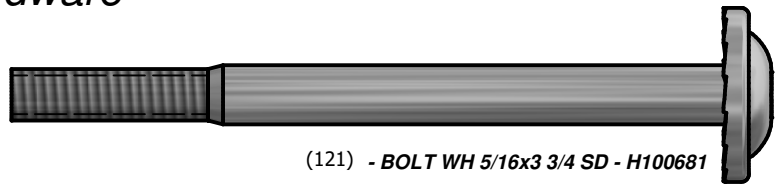
Hardware



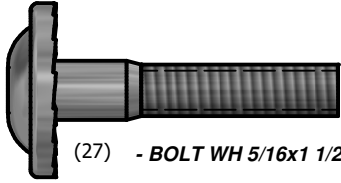
(34) - BOLT WH 5/16x1 SD - H100672



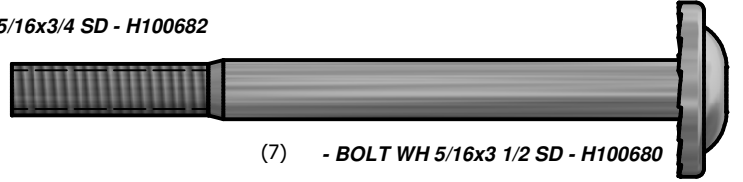
(13) - BOLT WH 5/16x3/4 SD - H100682



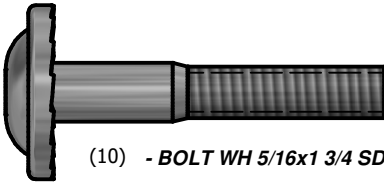
(121) - BOLT WH 5/16x3 3/4 SD - H100681



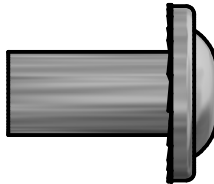
(27) - BOLT WH 5/16x1 1/2 SD - H100673



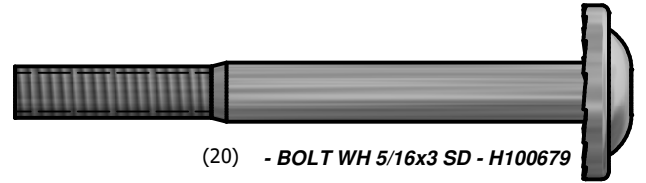
(7) - BOLT WH 5/16x3 1/2 SD - H100680



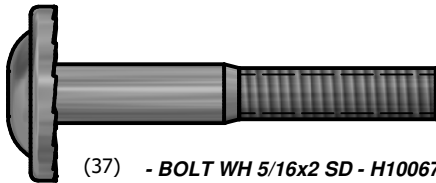
(10) - BOLT WH 5/16x1 3/4 SD - H100555



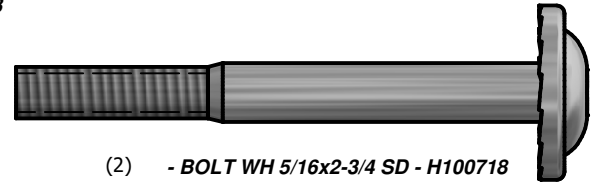
(100) - NUT BARREL WH 5/16x7/8 SD - H100693



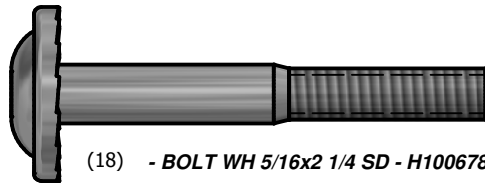
(20) - BOLT WH 5/16x3 SD - H100679



(37) - BOLT WH 5/16x2 SD - H100676



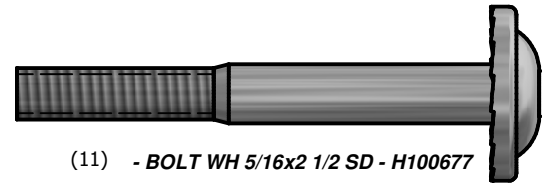
(2) - BOLT WH 5/16x2-3/4 SD - H100718



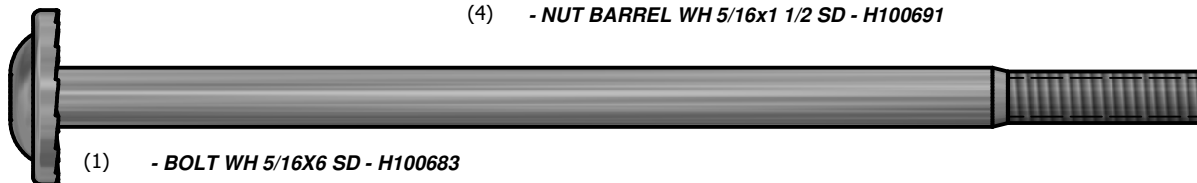
(18) - BOLT WH 5/16x2 1/4 SD - H100678



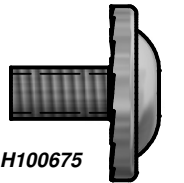
(4) - NUT BARREL WH 5/16x1 1/2 SD - H100691



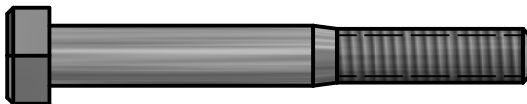
(11) - BOLT WH 5/16x2 1/2 SD - H100677



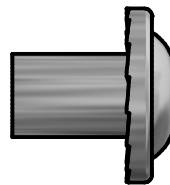
(1) - BOLT WH 5/16x6 SD - H100683



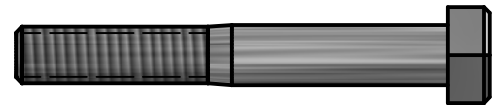
(23) - BOLT WH 5/16x1/2 SD - H100675



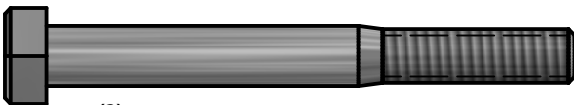
(4) - BOLT HEX 5/16x2 1/2 SD - H100667



(18) - NUT BARREL WH 5/16x5/8 SD - H100692



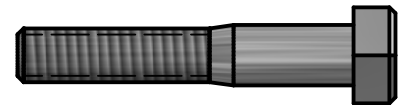
(2) - BOLT HEX 5/16x2-1/4 SD - H100701



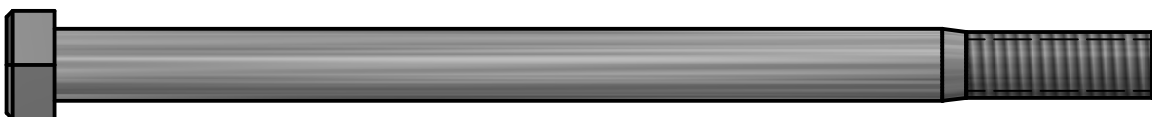
(2) - BOLT HEX 5/16x2-3/4 SD - H100668



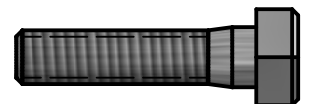
(2) - BOLT HEX 5/16x4 1/4 SD - H100716



(4) - BOLT HEX 5/16x1 3/4 SD - H100674



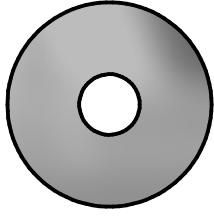
(13) - BOLT HEX 3/8x5 3/4 SD - H100665



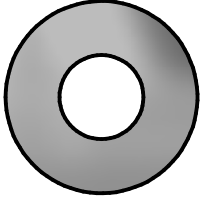
(4) - BOLT HEX 5/16x1 1/4 SD - H100666

Parts Identification

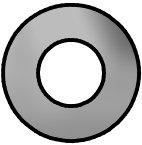
Hardware



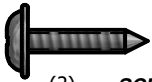
(23) - WASHER FLAT 8x27 SD - H100705



(13) - WASHER FLAT 11x25 SD - H100703



(2) - WASHER FLAT 9x18 SD - H100706



(2) - SCREW PWH 8x5/8 SD - H100544



(4) - SCREW PFH 8x1/2 SD - H100543



(7) - SCREW PFH 8x1 SD - H100537



(64) - SCREW PFH 8x1 1/8 SD - H100540



(1250) - SCREW PFH 8x1 1/4 SD - H100539



(94) - SCREW PFH 8x1 1/2 SD - H100538



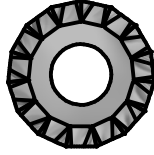
(50) - SCREW PFH 8x1 3/4 SD - H100541



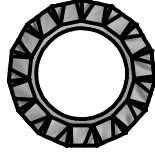
(186) - SCREW PFH 8x2 SD - H100542



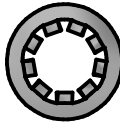
(22) - SCREW PFH 8x2 1/2 SD - H100695



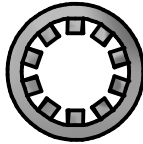
(295) - WASHER LOCK EXT 8x19 SD - H100554



(106) - WASHER LOCK EXT 12x19 SD - H100707



(28) - WASHER LOCK INT 8x15 SD - H100710



(13) - WASHER LOCK INT 10x18 SD - H100708



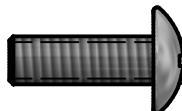
(17) - WASHER SPLIT 5/16 SD - H100711



(4) - NUT LOCK 5/16 SD - H100694



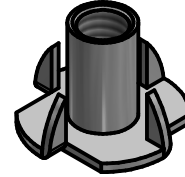
(2) - WASHER LOCK EXT 6x15 SD - H100546



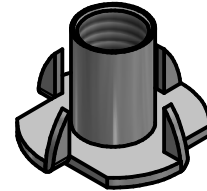
(26) - BOLT PTH 1/4x3/4 SD - H100670



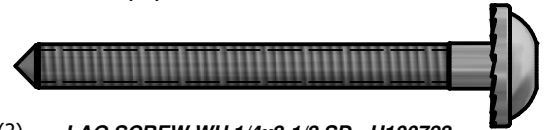
(26) - T-NUT 1/4 SD - H100699



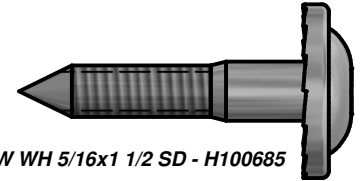
(204) - T-NUT 5/16 SD - H100556



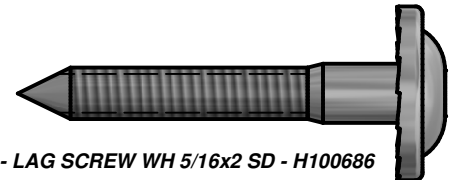
(13) - T-NUT 3/8 SD - H100700



(2) - LAG SCREW WH 1/4x2-1/2 SD - H100722



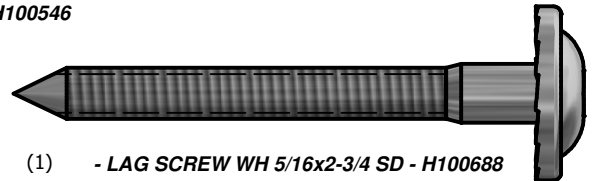
(22) - LAG SCREW WH 5/16x1 1/2 SD - H100685



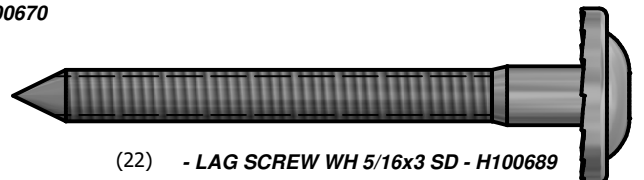
(59) - LAG SCREW WH 5/16x2 SD - H100686



(37) - LAG SCREW WH 5/16x2 1/2 SD - H100687



(1) - LAG SCREW WH 5/16x2-3/4 SD - H100688



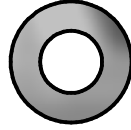
(22) - LAG SCREW WH 5/16x3 SD - H100689

Parts Identification

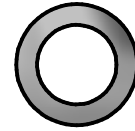
Hardware



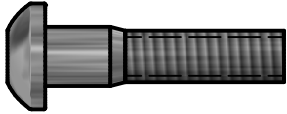
(18) - NUT BARREL TPH 5/16x1 SD - H100690



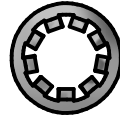
(17) - WASHER FLAT 8.2X16 SD - H100704



(17) - WASHER FLAT 10.5X16 SD - H100702



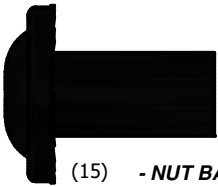
(18) - BOLT TPH 5/16x1 1/4 SD - H100671



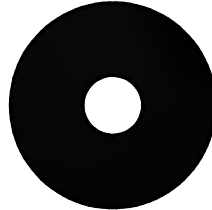
(17) - WASHER LOCK INT 8.4x14.5 SD - H100709



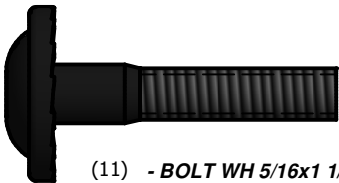
(2) - SCREW TAPPING PPH 5x15mm SD - H100724



(15) - NUT BARREL WH 5/16x7/8 BLK - H100192



(2) - WASHER SAFETY 17x30 - BLK - H100497



(11) - BOLT WH 5/16x1 1/2 BLK - H100407

(2) - WASHER FLAT 8x27 BLK - H100478



(13) - WASHER FLAT 9x18 BLK - H100474



(4) - BOLT WH 5/16x2-1/4 BLK - H100205



(15) - WASHER LOCK EXT 12x19 BLK - H100199



(6) - SCREW PFH 6x5/8 BLK - H100624



(64) - SCREW PFH 8x1-1/2 BLK - H100200



(7) - BOLT HEX 5/16x1-1/2 - BLK - H100498



(13) - SCREW PFH 8x1 3/4 BLK - H100382



(9) - NUT LOCK 5/16 BLK - H100479



(15) - WASHER LOCK EXT 8x19 BLK - H100198



(4) - SCREW PFH 8x2-1/2 BLK - H100201



(2) - SWING HANGER (7.125'') QUICK LINK - BLK - H100496

Parts Identification

Accessories
(NOT TO SCALE)



(4) EF - CHAIN BLUE 57" - A4M00823



(2) JV - HAND GRIP BLUE 816 C/C - A4M00853



(2) HD - SWING SEAT BLUE 22" - A6P00133



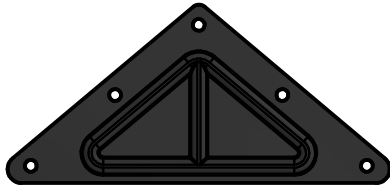
(2) TA - LADDER RUNG BLUE - A4M00854



(8) - METAL RUNG 559 BLUE - A4M00585



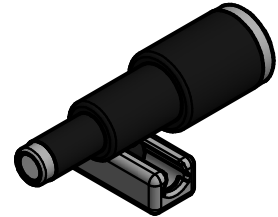
(7) FX - HAND GRIP METAL BLUE 381 c/c - A4M00769



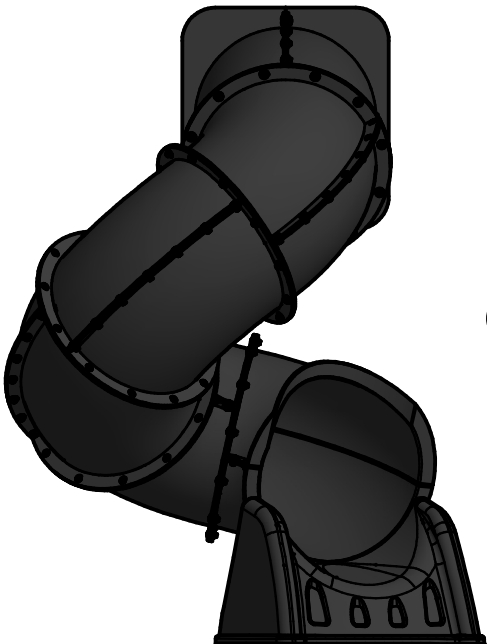
(2) SB - TRIANGLE PLATE BLUE 100 5 HOLE - A100309



(3) - L BRACKET BLUE 2.5x38x50x55 - A4M00584

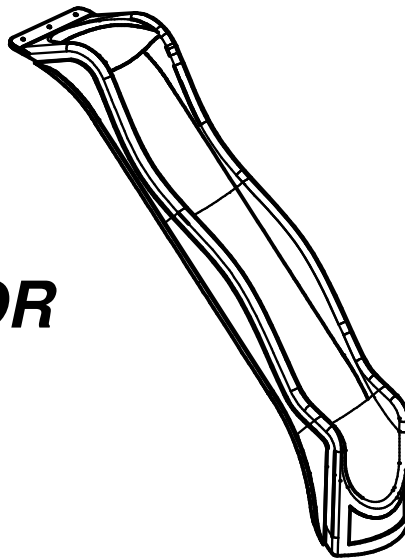


(1) - TELESCOPE - A6P00126



(1) 5' TUBE SLIDE - 9188020
* * SKYLINE RETREAT * *

OR



(1) 10' VAC SLIDE - 50240
* * ROYAL RETREAT * *



(6) - LIME HC ROCK #2 - A6P00128



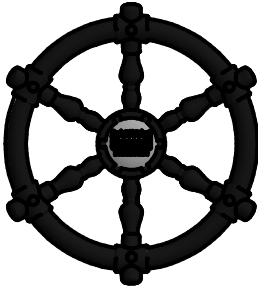
(6) - BLUE HC ROCK #1 - A6P00041



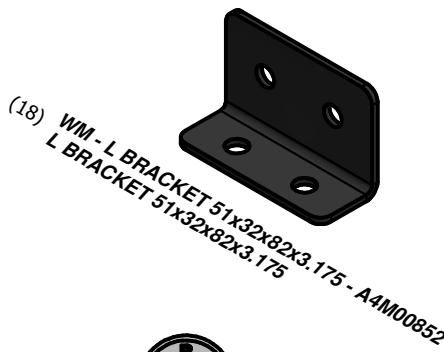
(1) HC - BYD ID TAG (LARGE) 2011 WITH AGES - A100164

Parts Identification

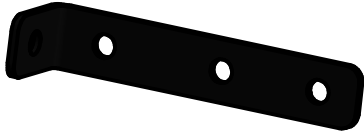
Accessories (NOT TO SCALE)



(1) - SHIPS WHEEL BLUE/LIME - A6P00125



(18) WM - L BRACKET 51x32x82x3.175 - A4M00652
L BRACKET 51x32x82x3.175



(2) - CHAIN SUPPORT BRACKET - A4M00632



(1) SQ - "A" REVISION TAG - A100314



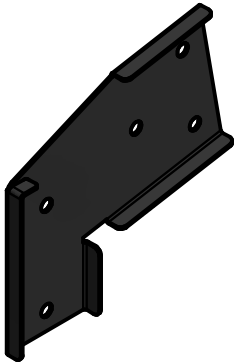
(2) - TIE STRAP PLATE - A4M00631



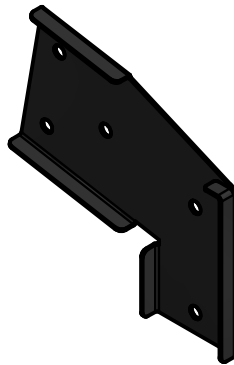
(4) - QUICK LINK - A4M00633



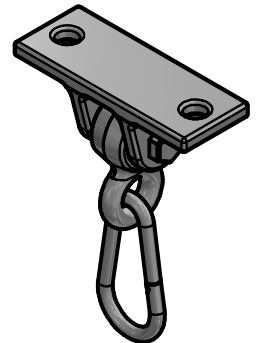
(1) - 26" WEB SWING SEAT - A6P00253



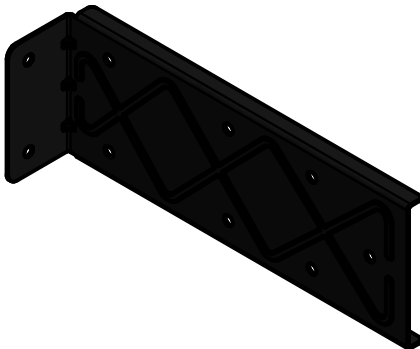
(1) - SWING BEAM EXT. BRACKET BLUE - LEFT - A4M00511



(1) - SWING BEAM EXT BRACKET BLUE - RIGHT - A4M00512



(6) - SINGLE DUCTILE HANGER SD - A4M00926



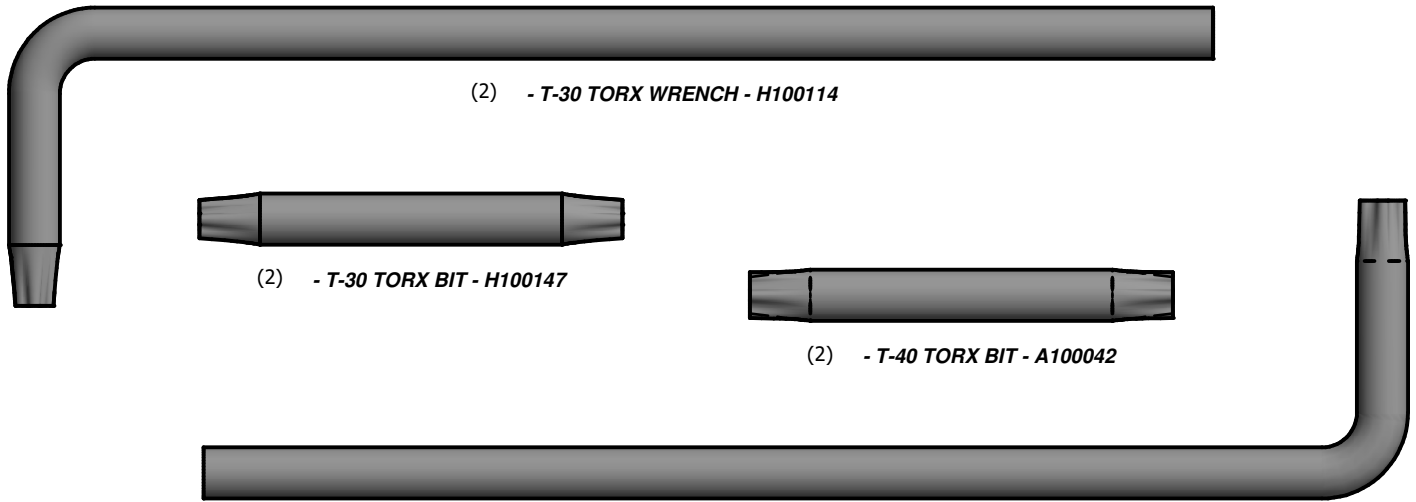
(2) - EXTENDED SWING BEAM BRACKET - A4M00925



(12) KC - METAL GROUND STAKE BROWN - A100178

Parts Identification

Accessories
(NOT TO SCALE)

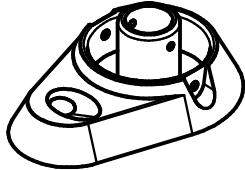


(2) - T-30 TORX WRENCH - H100114

(2) - T-30 TORX BIT - H100147

(2) - T-40 TORX BIT - A100042

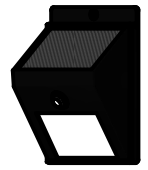
(2) - T-40 TORX WRENCH - A100041



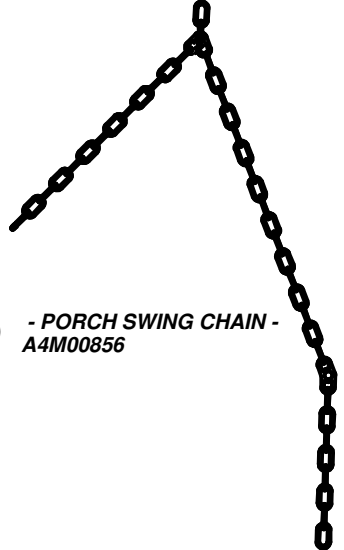
(1) - LADDER FOOT - A6P00190



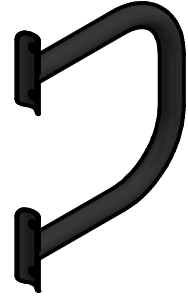
(1) - GROUND STAKE - A4M00766



(5) - SOLAR LIGHT - A6P00272
1 7/8"x3 3/4"x4 7/8" (48x96x124)



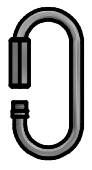
(2) - PORCH SWING CHAIN - A4M00856



(6) - U STEP ASSEMBLY - BLUE - A4M00915



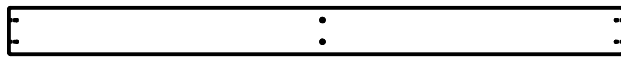
(1) - CLIMBING TREE 5' EXT - BLUE - A4M00916



(4) - QUICK LINK SD - A4M00927



(1) - CLIMBING TREE TRUNK - BLUE - A4M00914



(1) **M01 - SWING SEAT SUPPORT - W4L11246**
5/8"x3 3/8"x44 3/4" (16x86x1138)



(1) **H08 - CENTER SEAT SUPPORT - W4L11250**
1"x3 3/8"x21 3/4" (24x86x551)



(2) **H09 - SIDE SEAT SUPPORT - W4L11251**
1"x3 3/8"x21 3/4" (24x86x551)

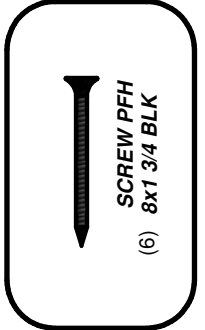
**PORCH SWING
STEP 1**

FIG. 2

SCREW PFH 8x1 3/4 BLK
(2 PLCS)

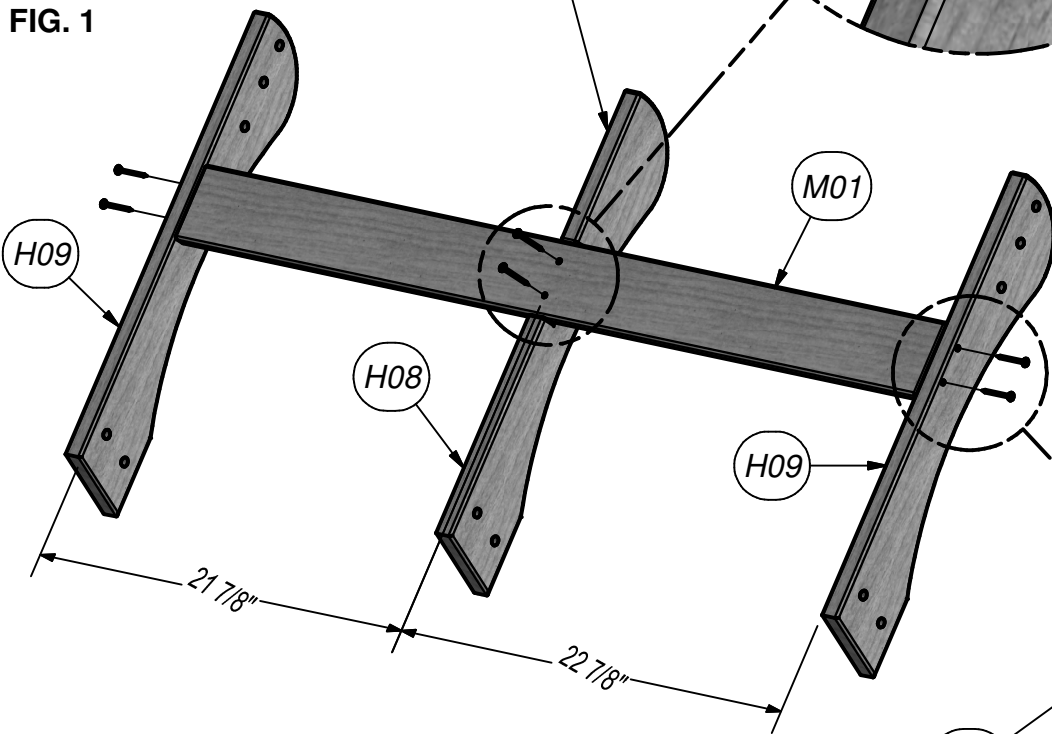
M01

H08



NOTE:
'H08' OFFSET

FIG. 1



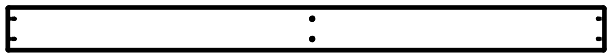
SWING SEAT FRAME ASSEMBLY

FIG. 3

H09

M01

SCREW PFH 8x1 3/4 BLK
(4 PLCS)



(1) M02 - SWING BACK SUPPORT - W4L11249
5/8"x3 3/8"x46 3/4" (16x86x1186)



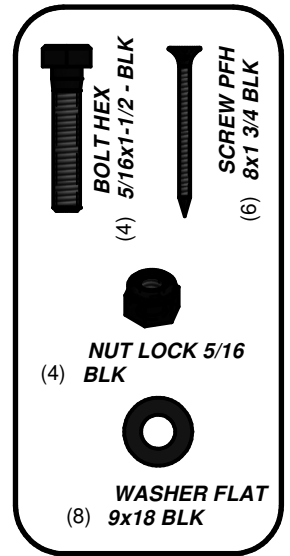
(2) - TIE STRAP PLATE - A4M00631



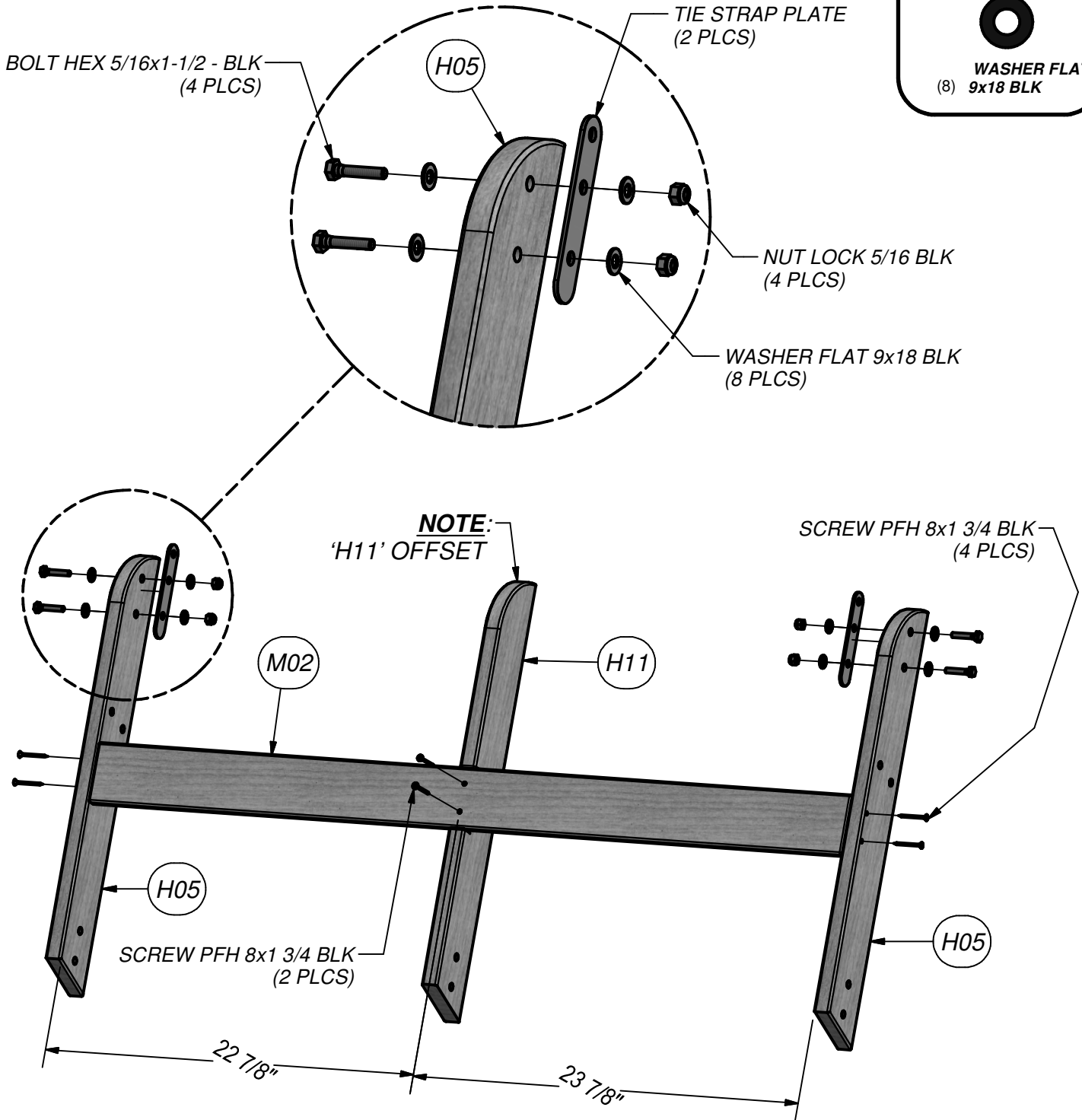
(2) H05 - SIDE BACK RAIL - W4L11247
1"x3 3/8"x24 3/4" (24x86x630)



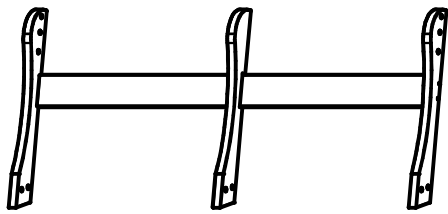
(1) H11 - CENTER BACK RAIL - W4L11248
1"x3 3/8"x24 3/4" (24x86x630)



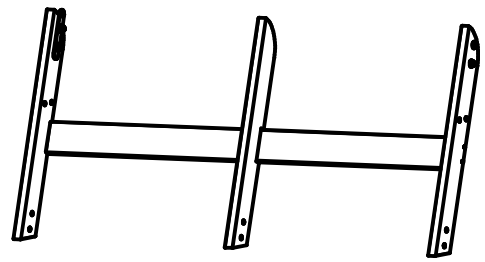
PORCH SWING STEP 2



SWING BACK FRAME ASSEMBLY

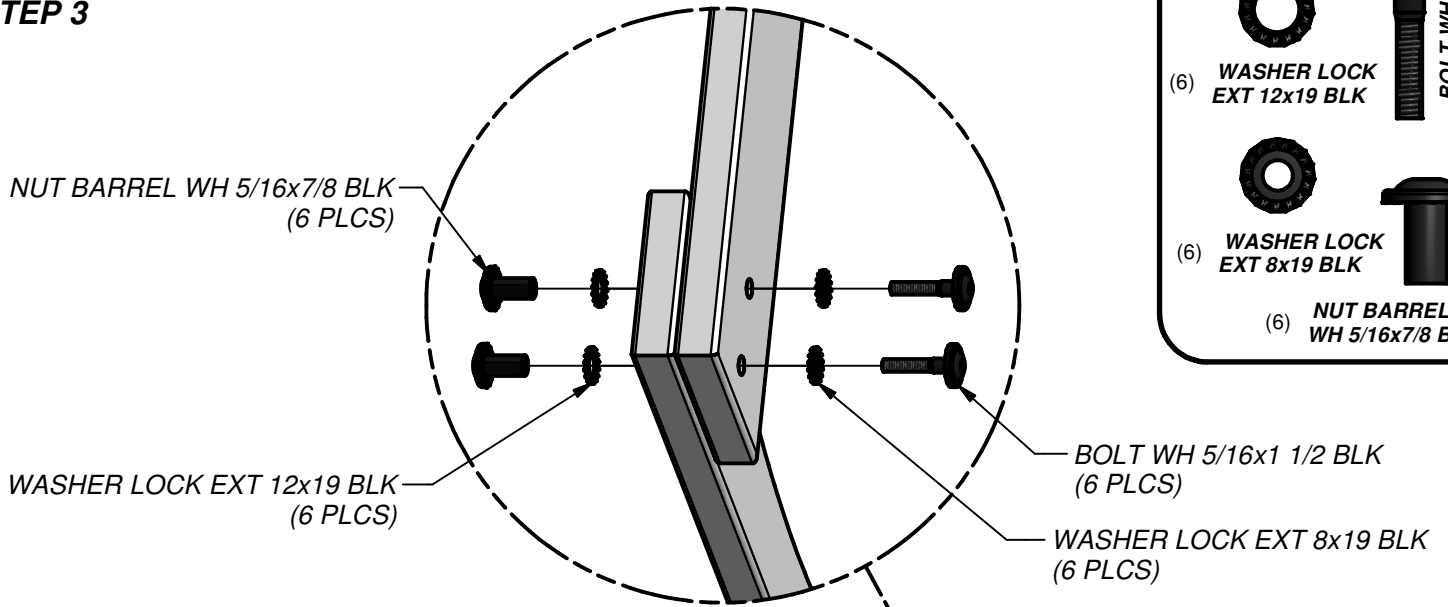


(1) SWING SEAT FRAME ASSEMBLY

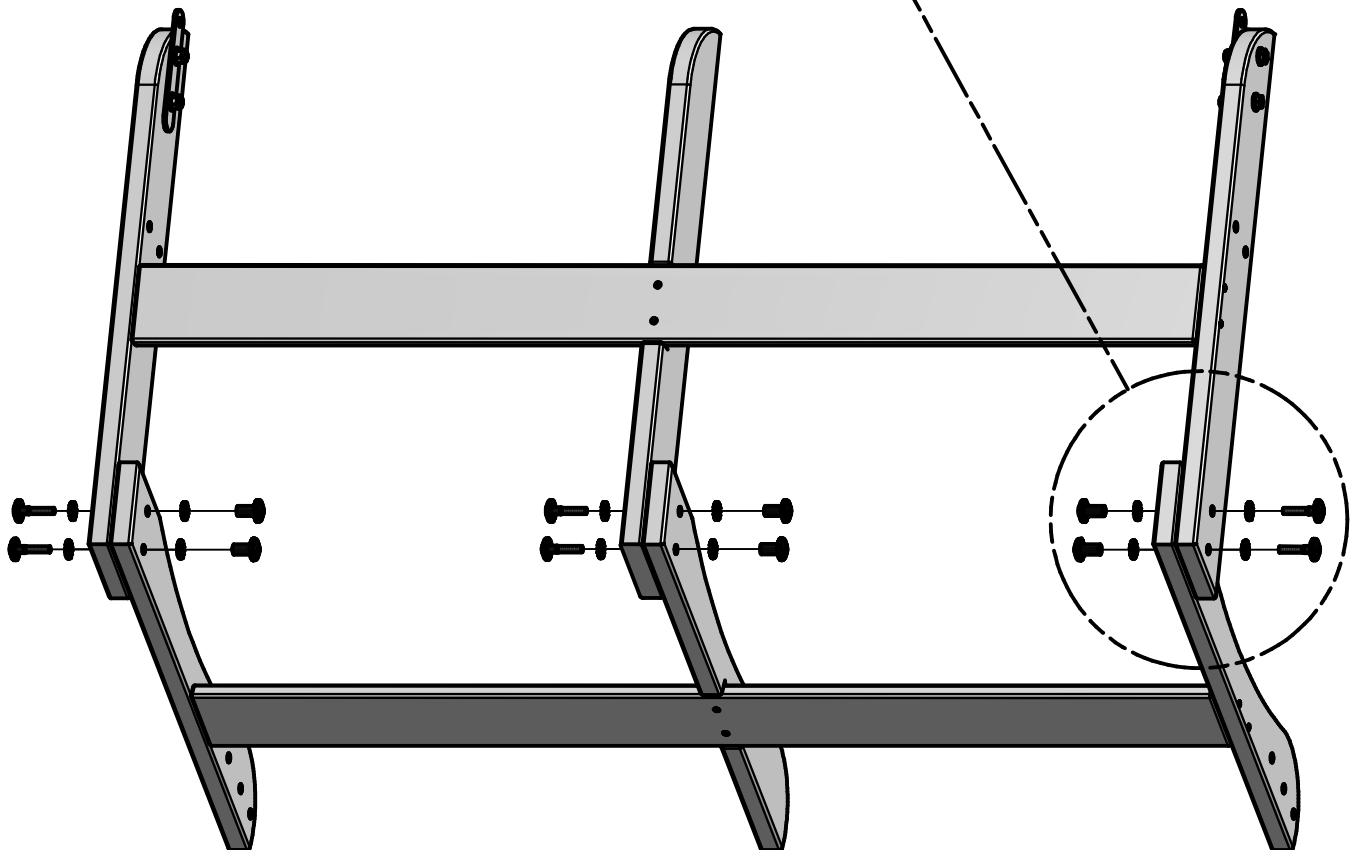


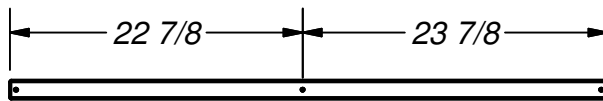
(1) SWING BACK FRAME ASSEMBLY

**PORCH SWING
STEP 3**



NOTE:
ORIENTATION OF ASSEMBLIES



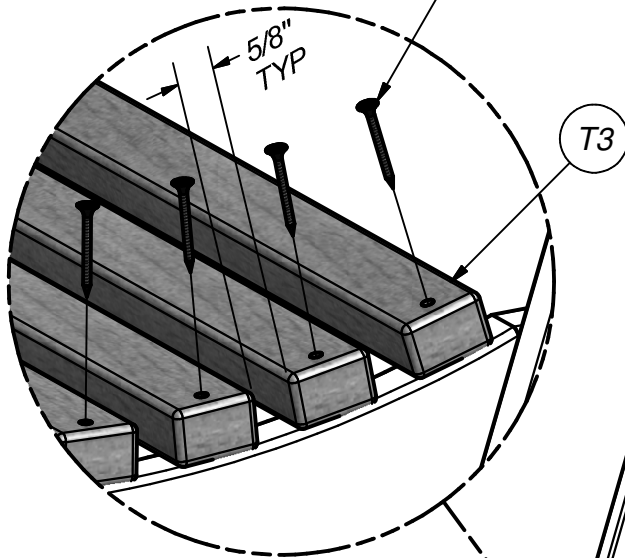


(10) T3 - SWING SEAT BOARD - W4L11244
 1"x1 3/8"x46 3/4" (24x36x1186)

**PORCH SWING
 STEP 4**

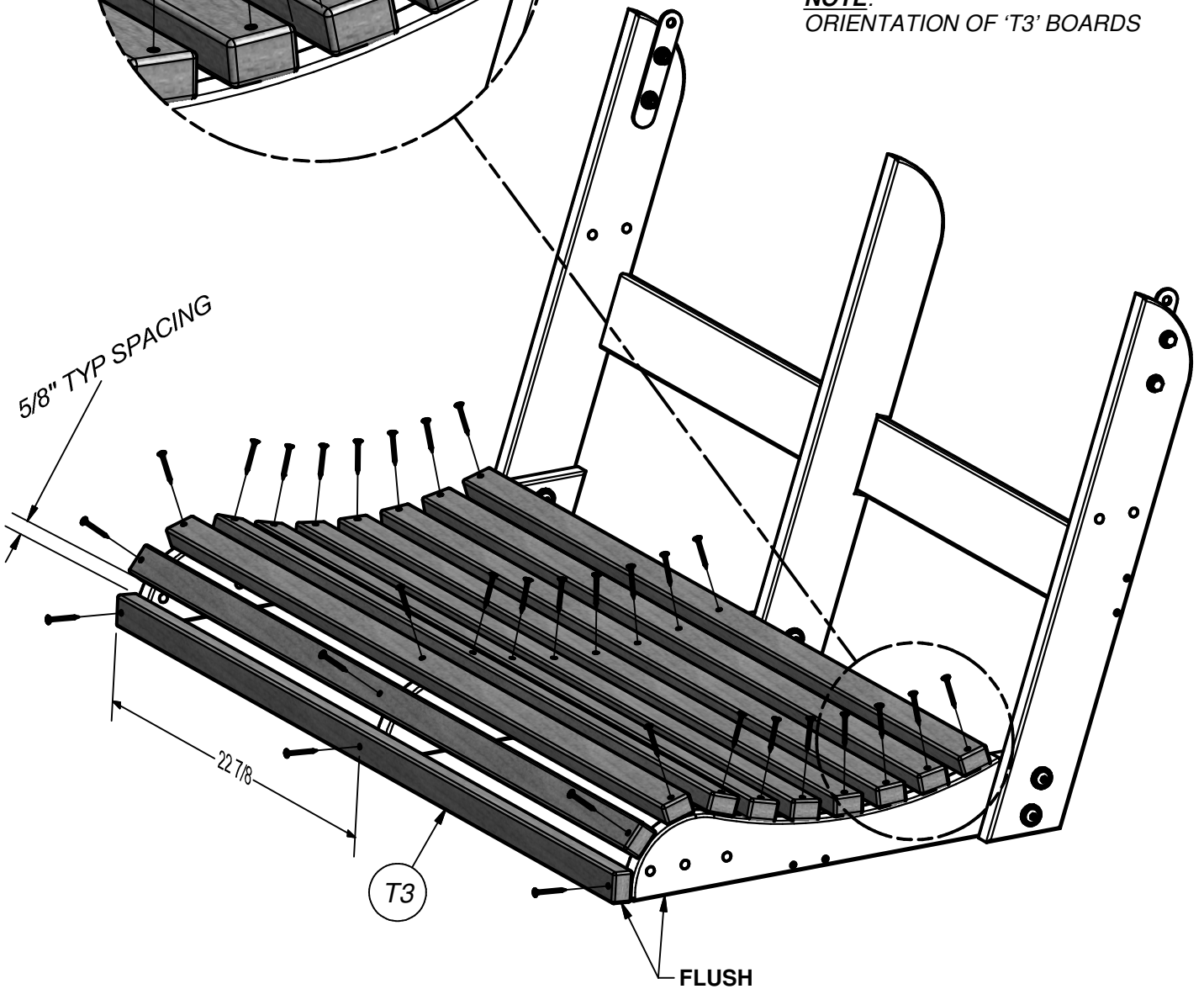


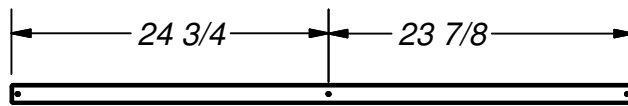
SCREW PFH 8x1-1/2 BLK
 (30 PLCS)



NOTE:
 ORIENTATION OF 'T3' BOARDS

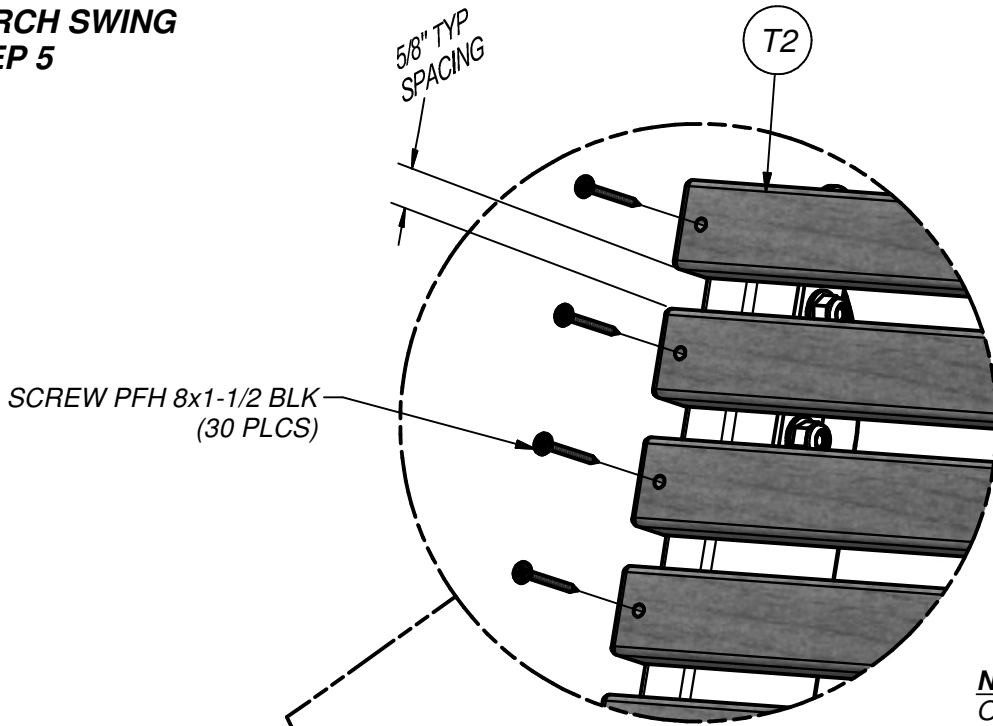
5/8" TYP SPACING



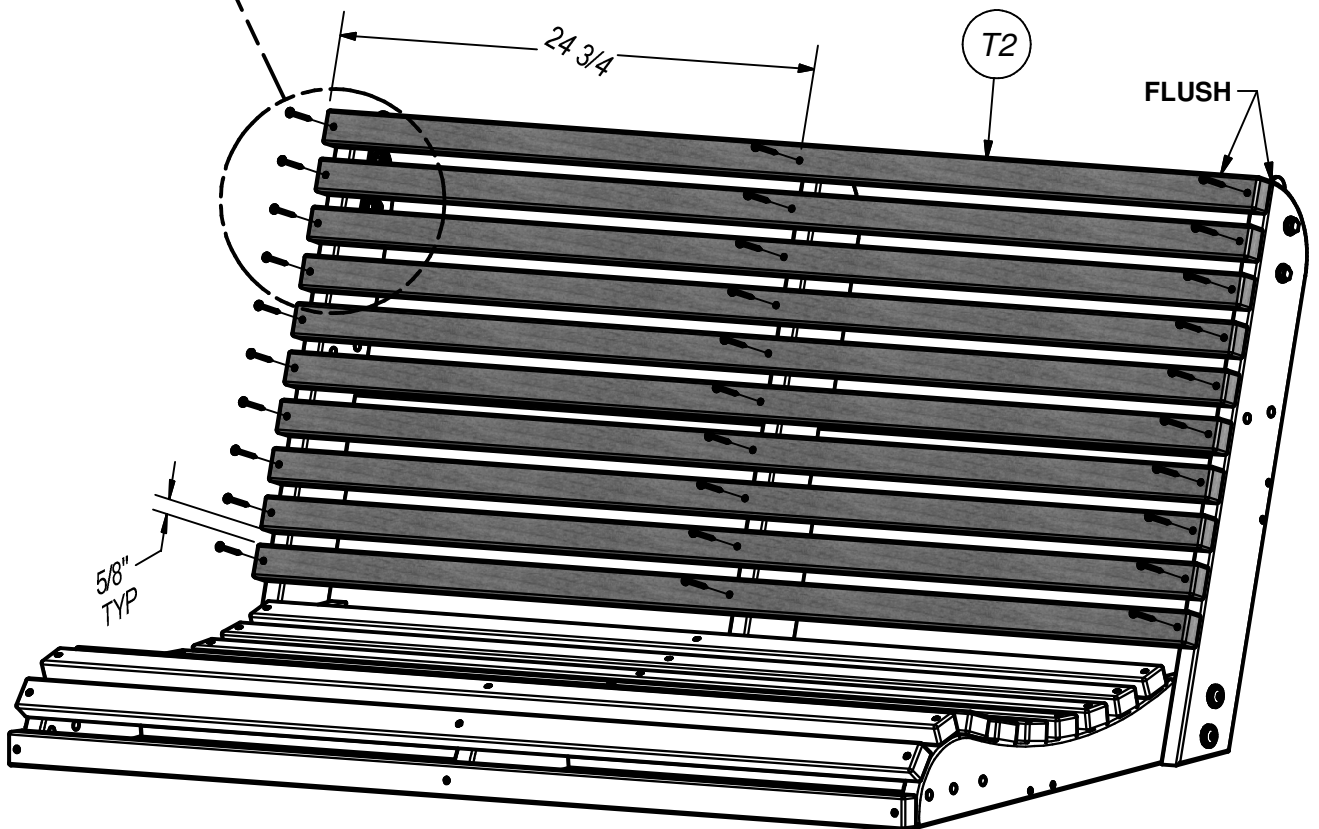


T2 - SWING BACK BOARD - W4L11243
 (10) 1"x1 3/8"x48 5/8" (24x36x1234)

**PORCH SWING
 STEP 5**



NOTE:
 ORIENTATION OF 'T2' BOARDS

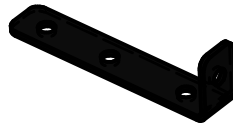




(1) **E02 - RIGHT ARM REST - W4L11241**
 1 3/8"x3 3/8"x26 5/8" (36x86x677)



(1) **H10 - SWING RAIL SUPPORT - W4L11245**
 1"x3 3/8"x13" (24x86x330)



(1) - **CHAIN SUPPORT BRACKET - A4M00632**

**PORCH SWING
 STEP 6**

FIG. 1

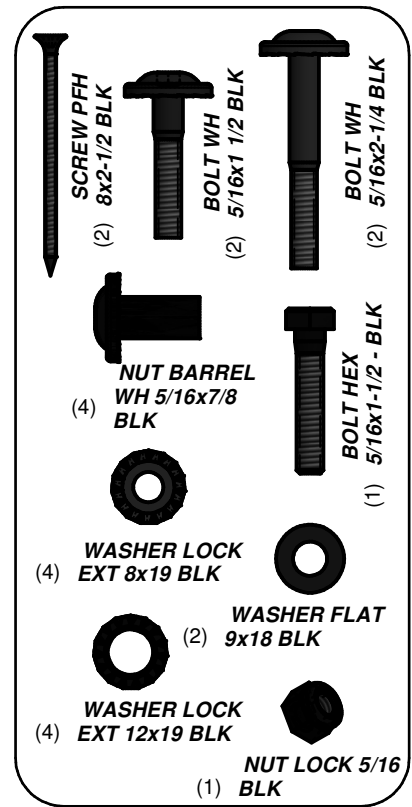
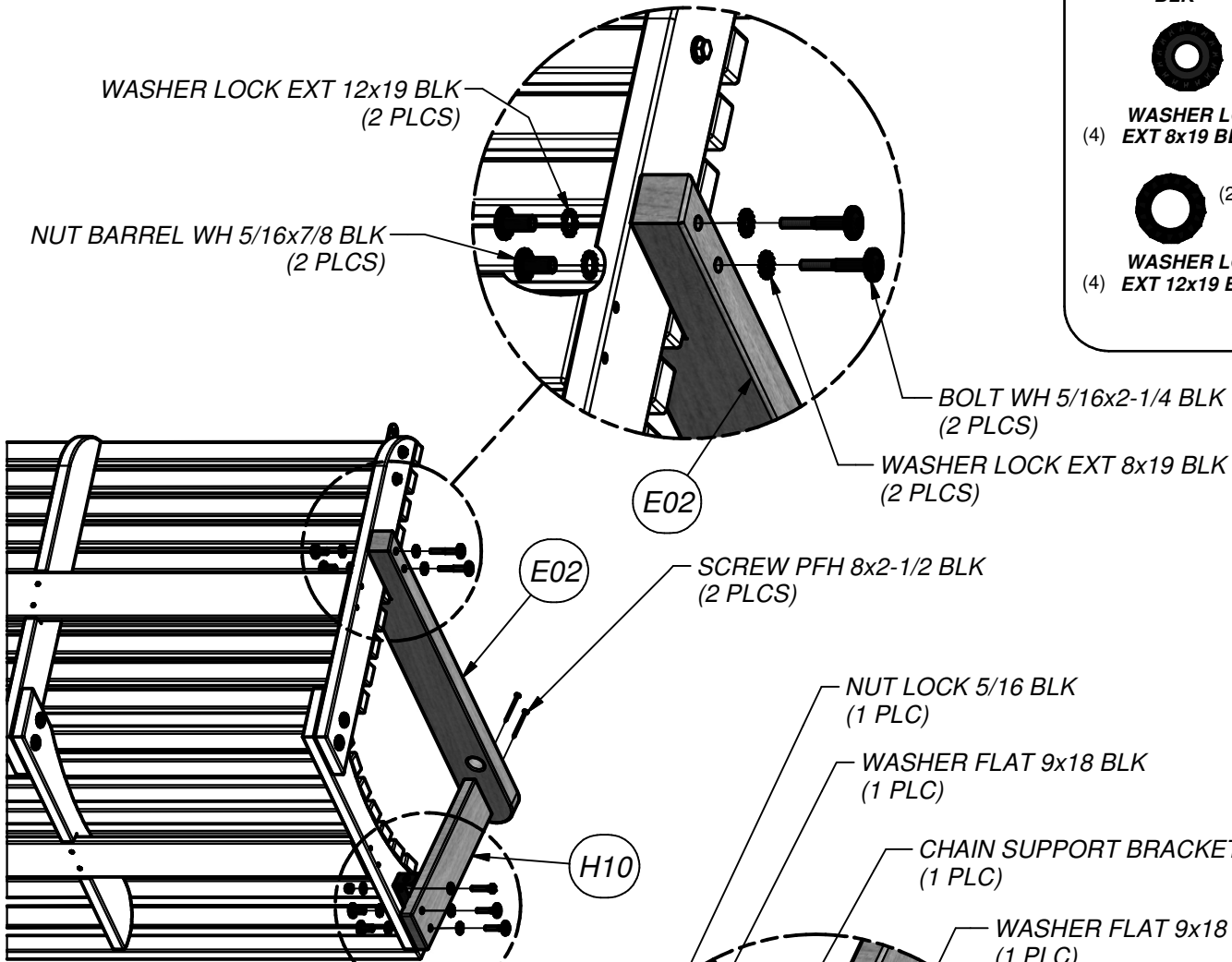
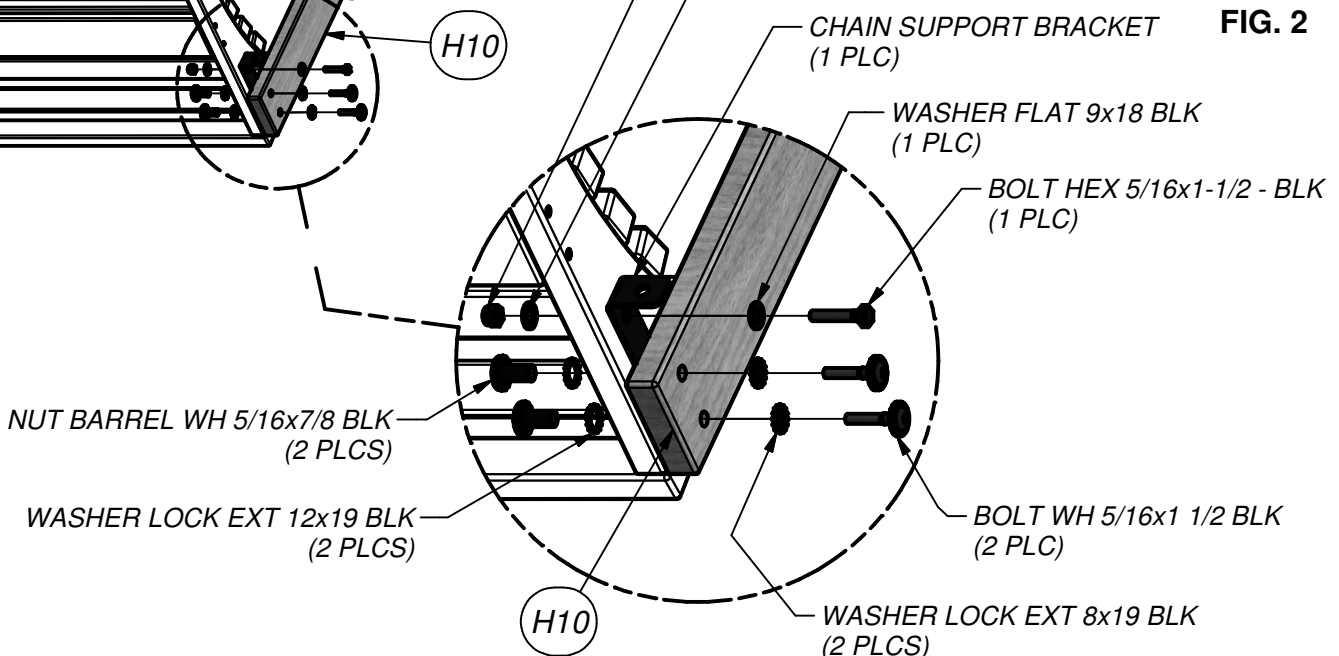
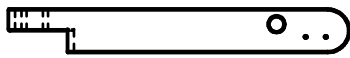


FIG. 2

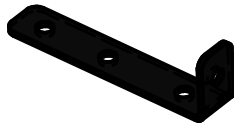




(1) **E03 - LEFT ARM REST - W4L11242**
1 3/8"x3 3/8"x26 5/8" (36x86x677)



(1) **H10 - SWING RAIL SUPPORT - W4L11245**
1"x3 3/8"x13" (24x86x330)



(1) - **CHAIN SUPPORT BRACKET - A4M00632**

**PORCH SWING
STEP 7**

FIG. 1

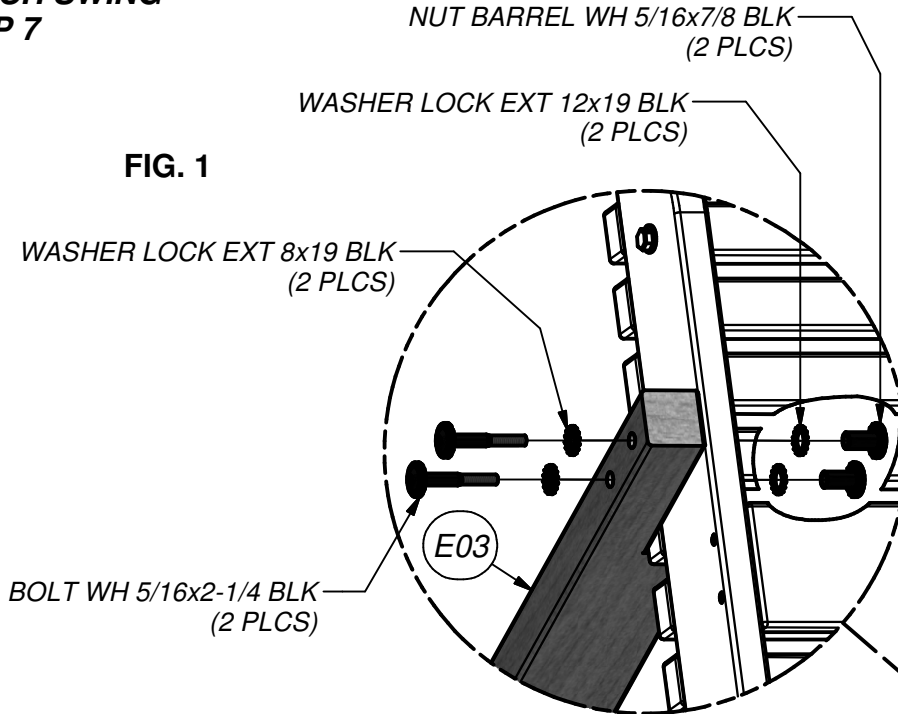
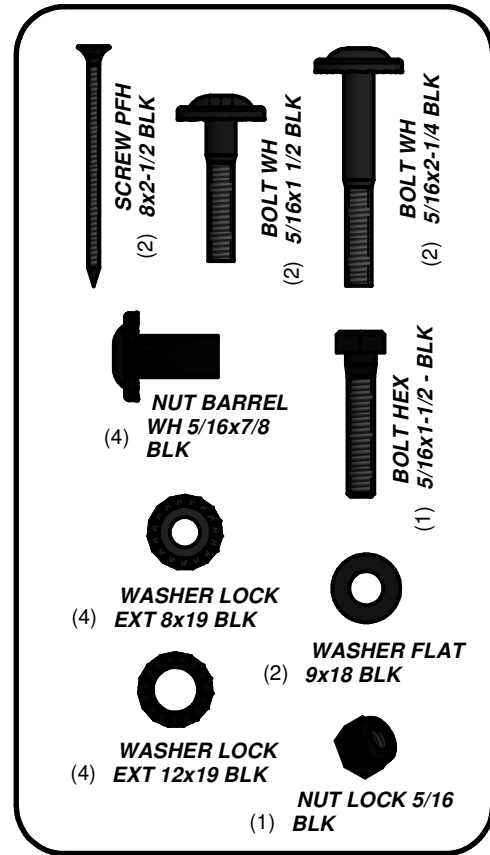
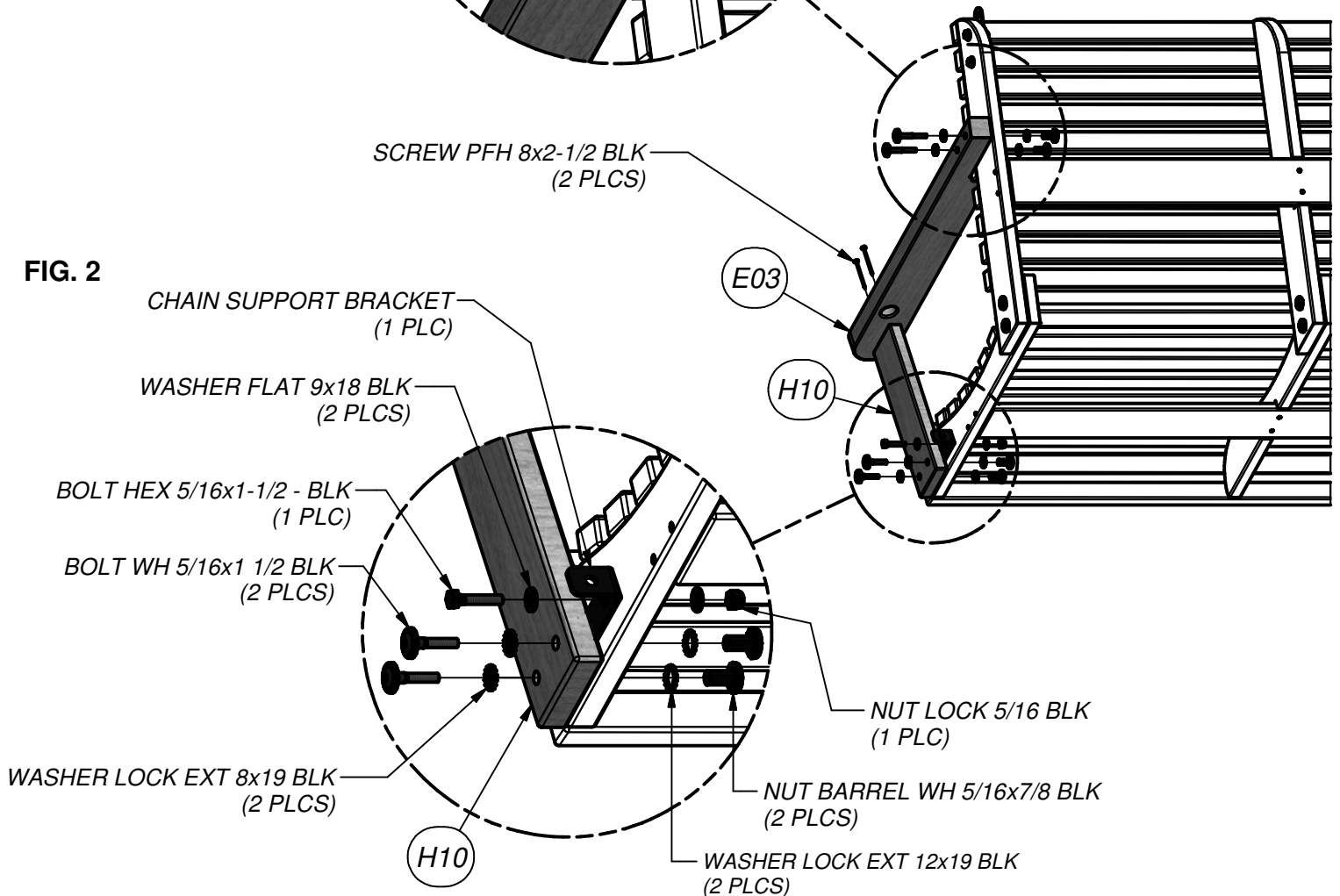
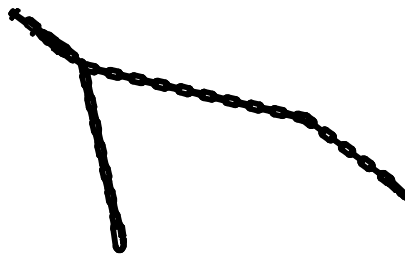


FIG. 2





(4) - QUICK LINK - A4M00633



(2) - PORCH SWING CHAIN - A4M00856

**PORCH SWING
STEP 8**

FIG. 1

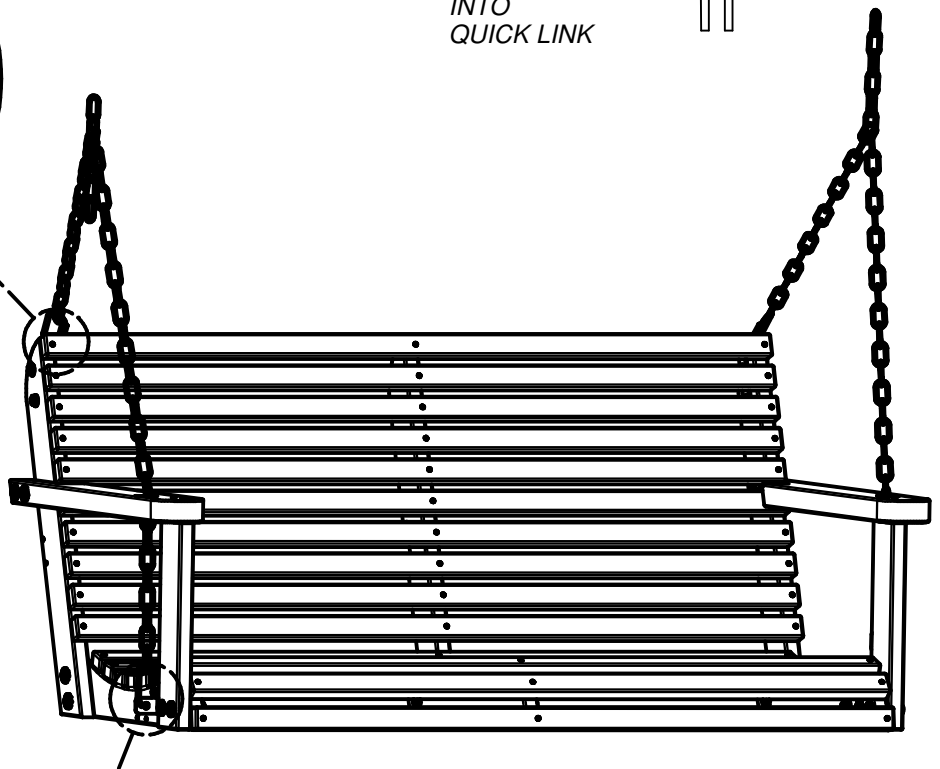
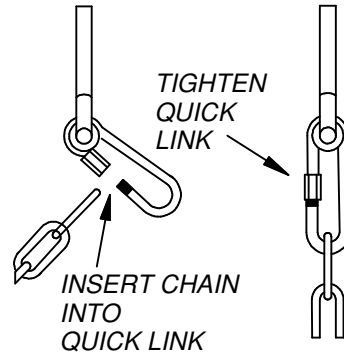
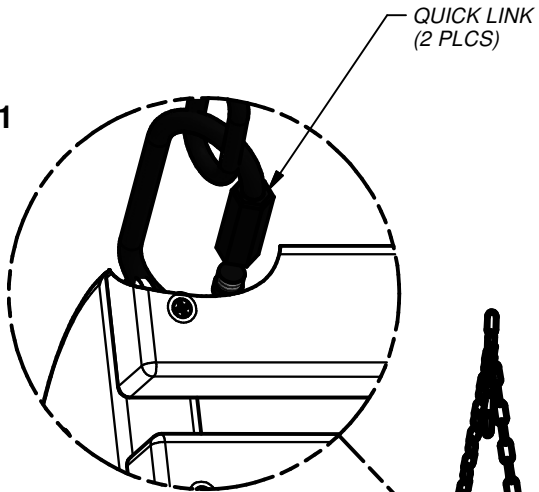
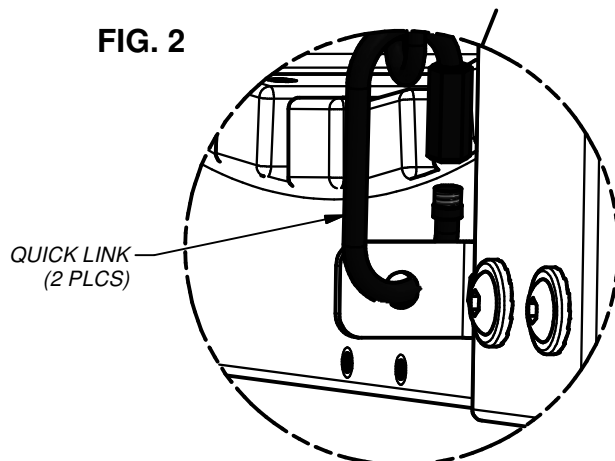
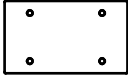


FIG. 2

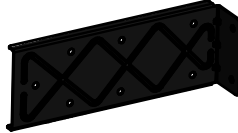




(1) **A1 - SWING BEAM - W4L11376**
3 3/8"x5 1/4"x89 1/2" (86x134x2274)



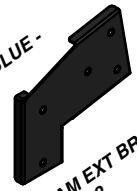
(1) **A2 - SB 9" BLOCK - W4L08962**
3 3/8"x5 1/4"x9" (86x134x228)



(2) **- EXTENDED SWING BEAM BRACKET - A4M00925**

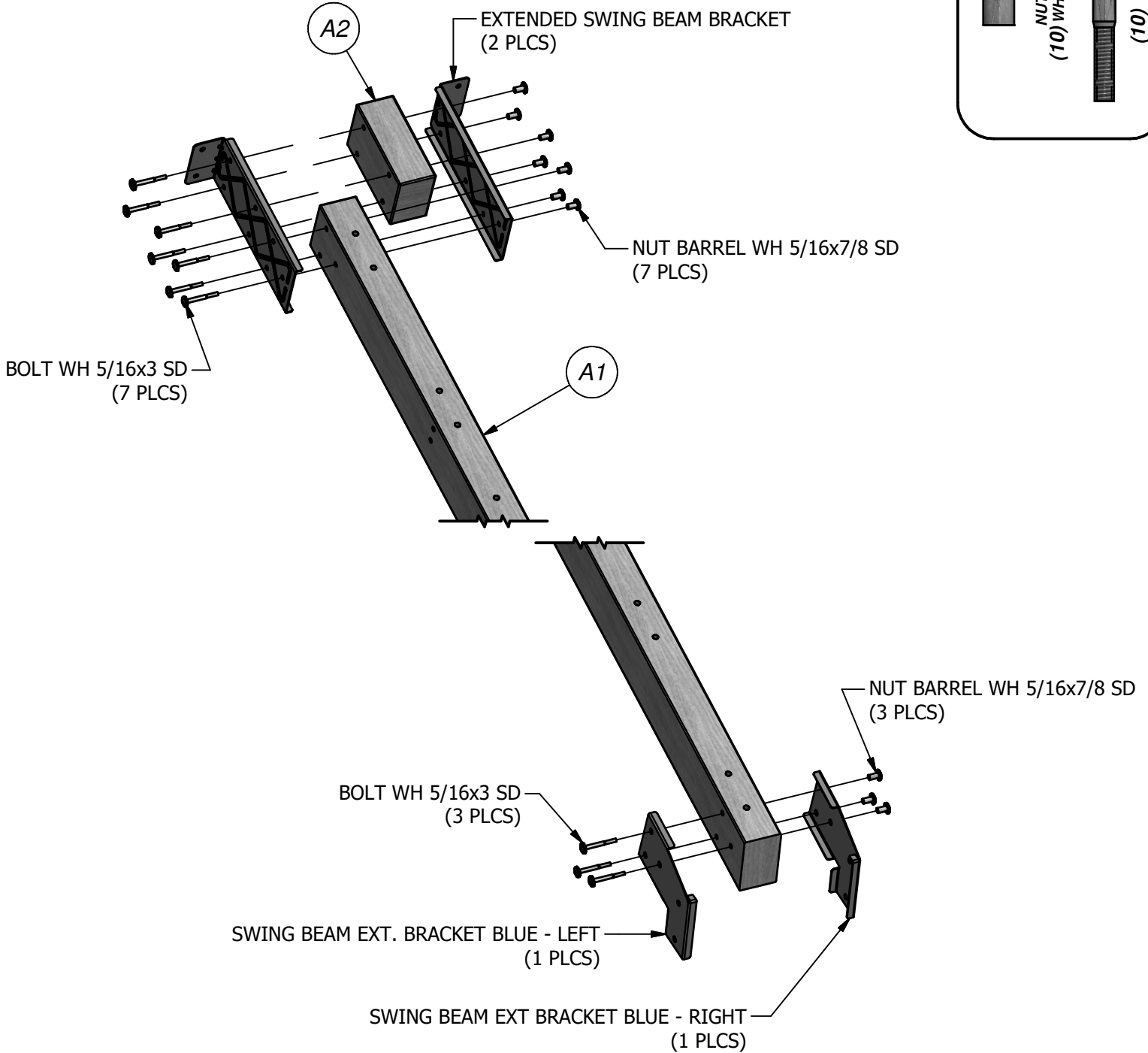


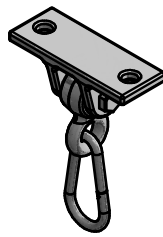
(1) **- SWING BEAM EXT. BRACKET BLUE - LEFT-A4M00511**



(1) **- SWING BEAM EXT BRACKET BLUE - RIGHT-A4M00512**

SWINGBEAM ASSEMBLY STEP 1

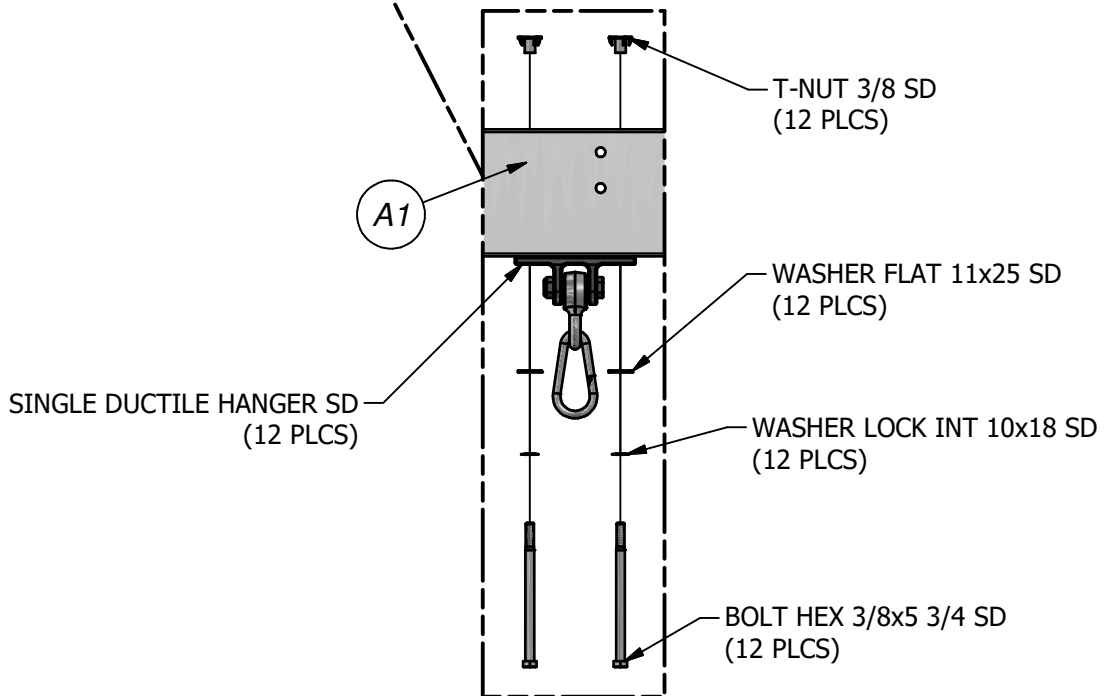
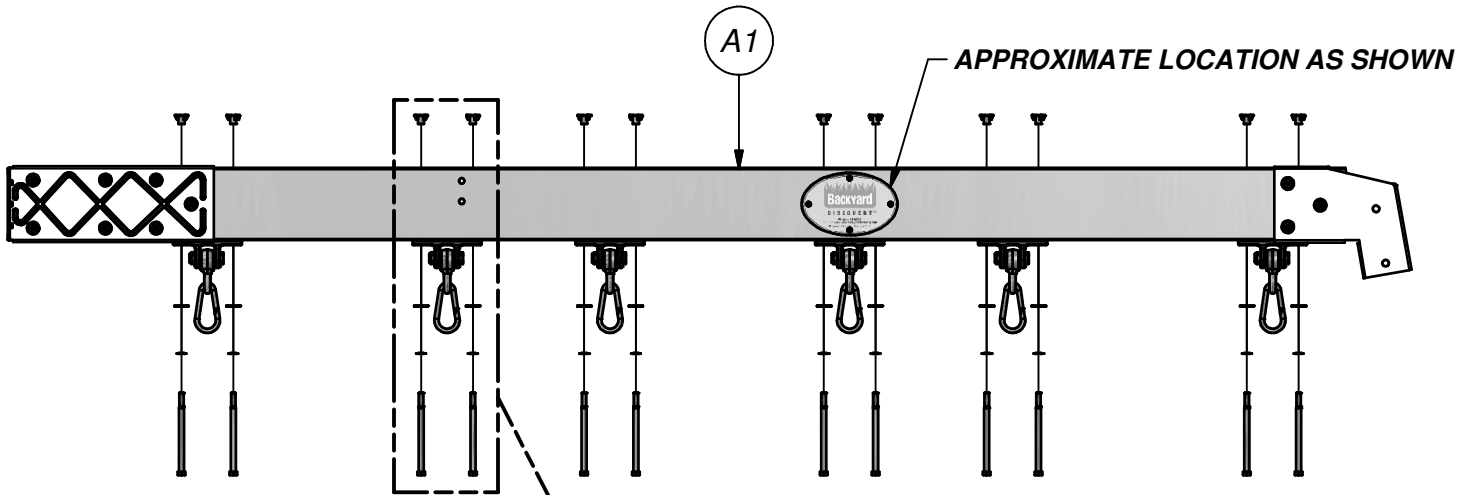
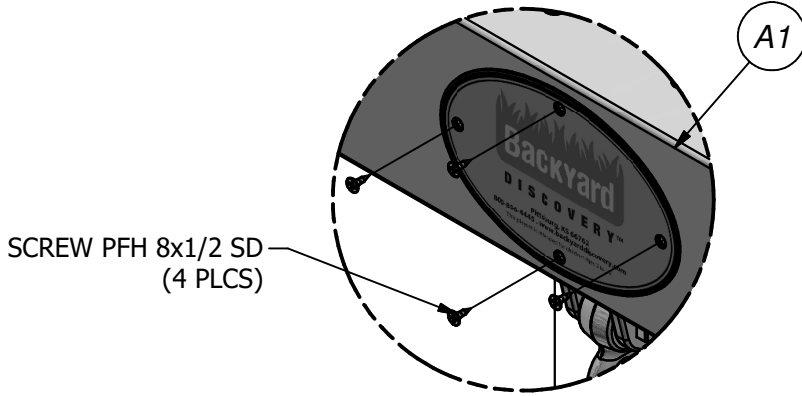
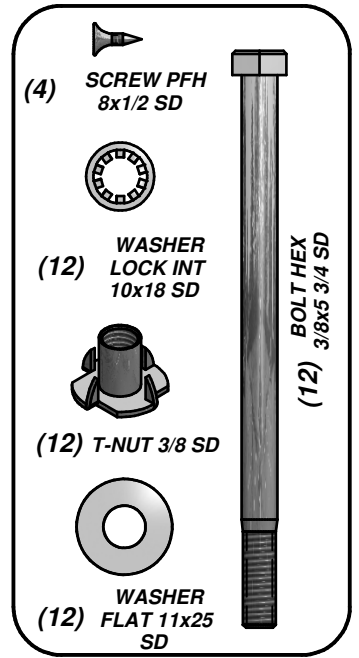




(1) HC - BYD ID TAG (LARGE) 2011 WITH AGES - A100164

(6) - SINGLE DUCTILE HANGER SD - A4M00926

**SWINGBEAM ASSEMBLY
STEP 2**

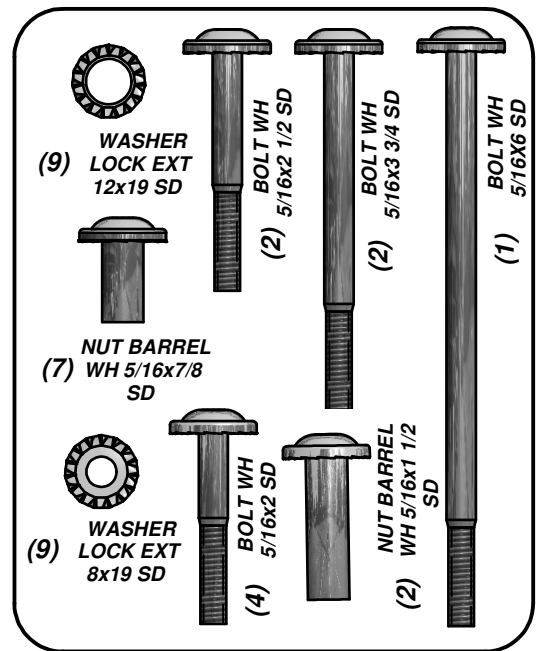


(1) **E50 - END SUPPORT - W4L11379**
 1 3/8"x3 3/8"x44 1/8" (36x86x1120)

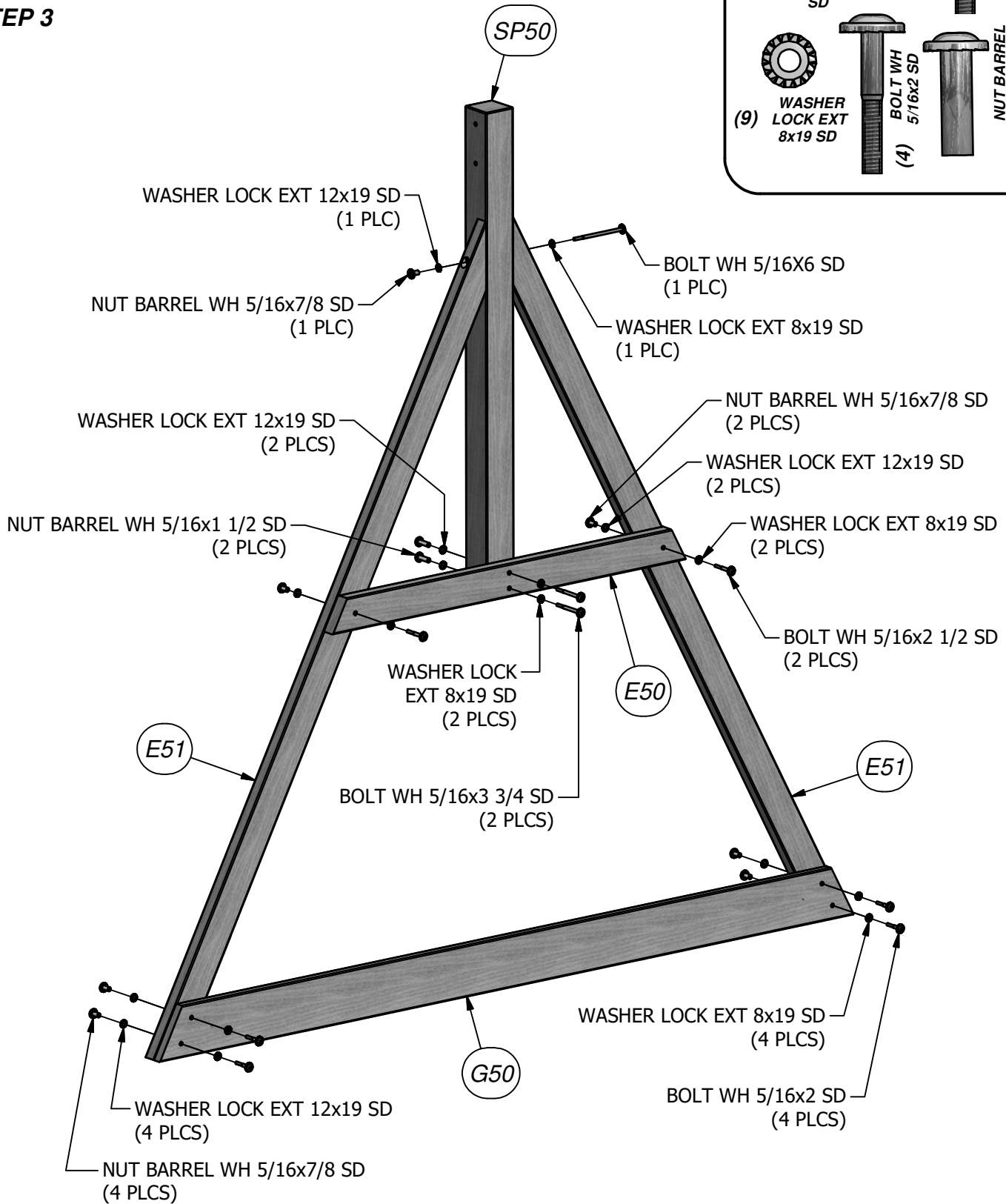
(1) **SP50 - SWING BEAM SUPPORT - W4L11377**
 3 3/8"x3 3/8"x49 3/8" (86x86x1254)

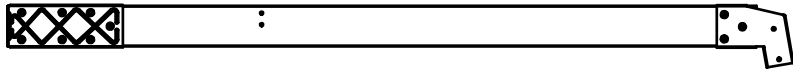
(1) **G50 - GROUND BOARD - W4L11380**
 1"x5 1/4"x86 3/4" (24x134x2202)

(2) **E51 - ANGLE BRACE - W4L11378**
 1 3/8"x3 3/8"x88 3/4" (36x86x2254)



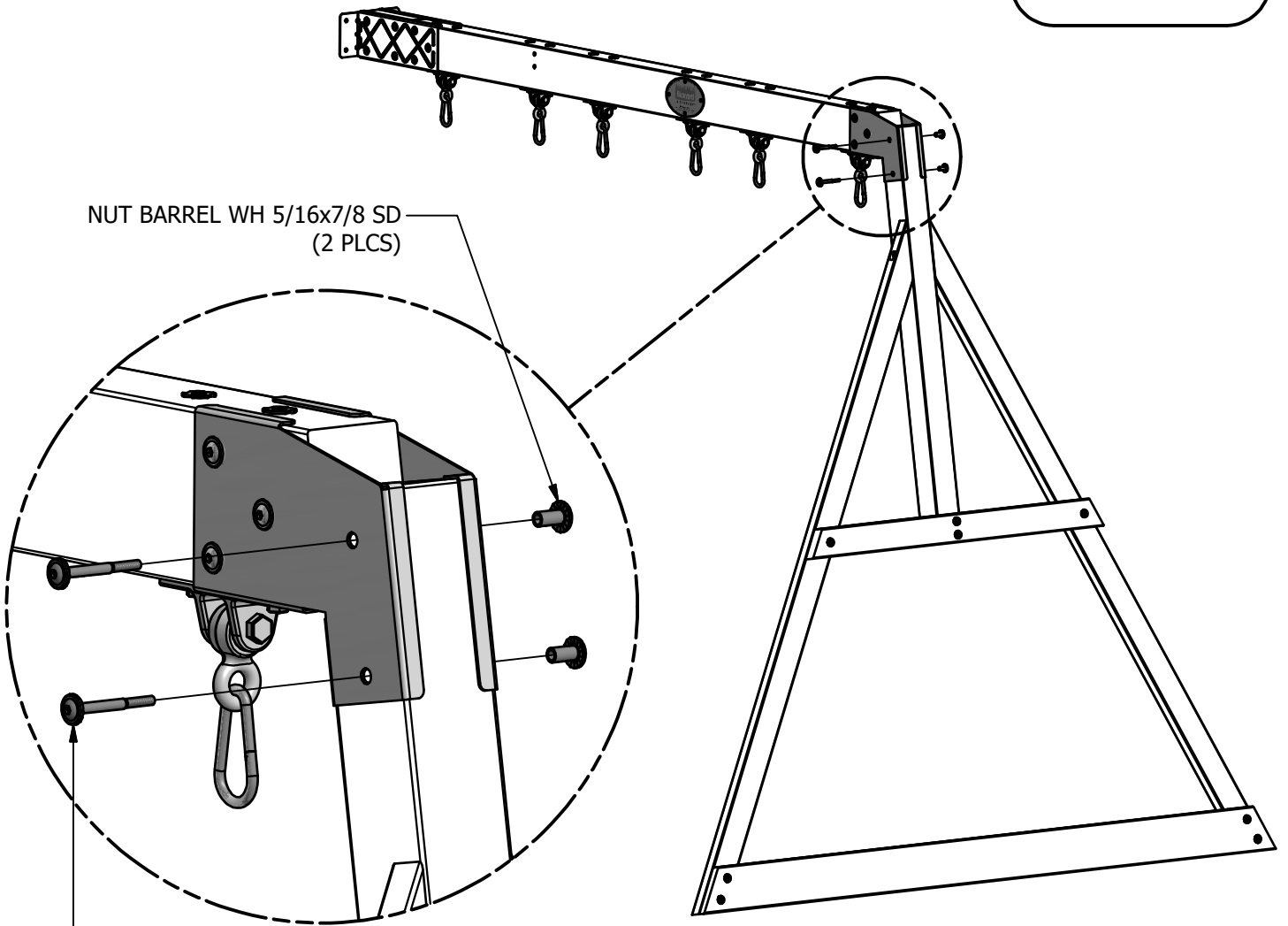
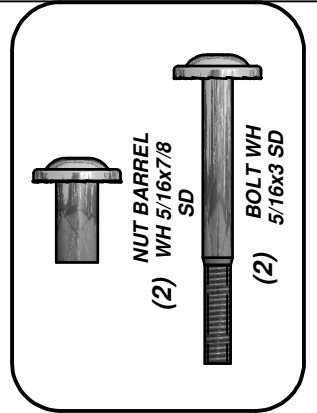
**SWINGBEAM ASSEMBLY
 STEP 3**





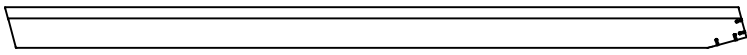
(1) SWING BEAM ASSEMBLY

**SWINGBEAM ASSEMBLY
STEP 4**

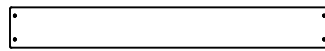


NUT BARREL WH 5/16x7/8 SD
(2 PLCS)

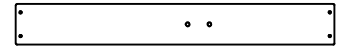
BOLT WH 5/16x3 SD
(2 PLCS)



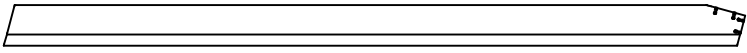
(1) E72 - LEFT RAIL - W4L11419
1 3/8"x3 3/8"x61 3/4" (36x86x1570)



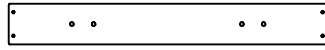
(10) M74 - ROCK WALL BOARD - W4L11421
5/8"x3 3/8"x26 5/8" (16x86x675)



M75 - ROCK WALL BOARD - W4L11423
5/8"x3 3/8"x26 5/8" (16x86x675)

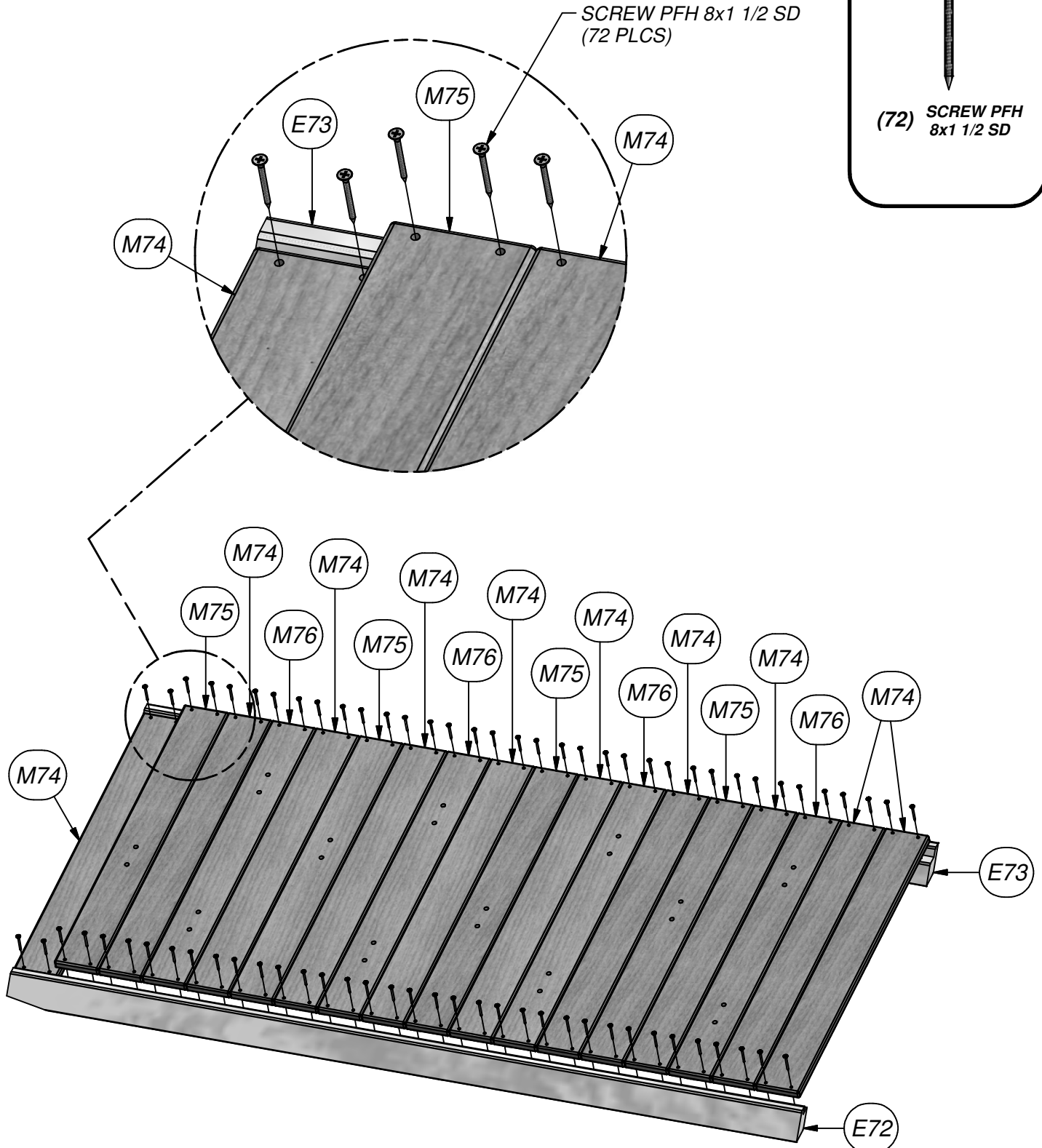


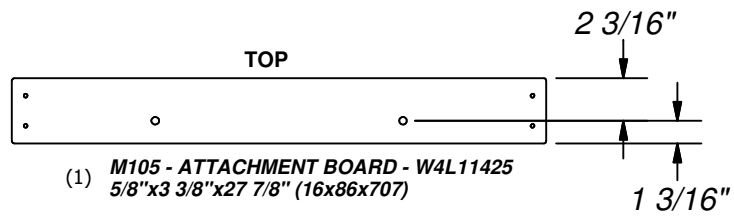
(1) E73 - RIGHT RAIL - W4L11420
1 3/8"x3 3/8"x61 3/4" (36x86x1570)



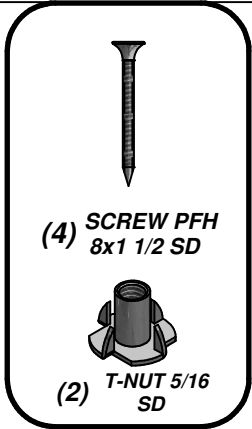
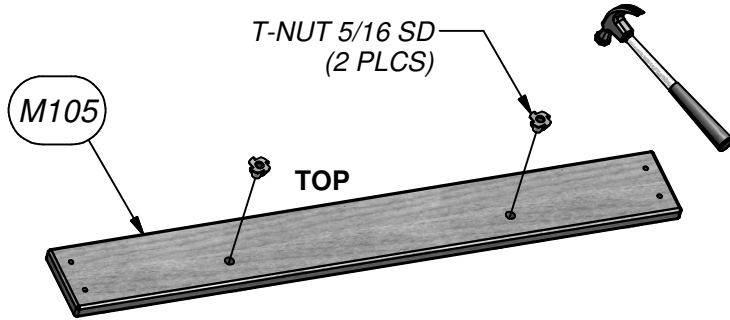
(4) M76 - ROCK WALL BOARD - W4L11422
5/8"x3 3/8"x26 5/8" (16x86x675)

ROCK WALL ASSEMBLY STEP 1

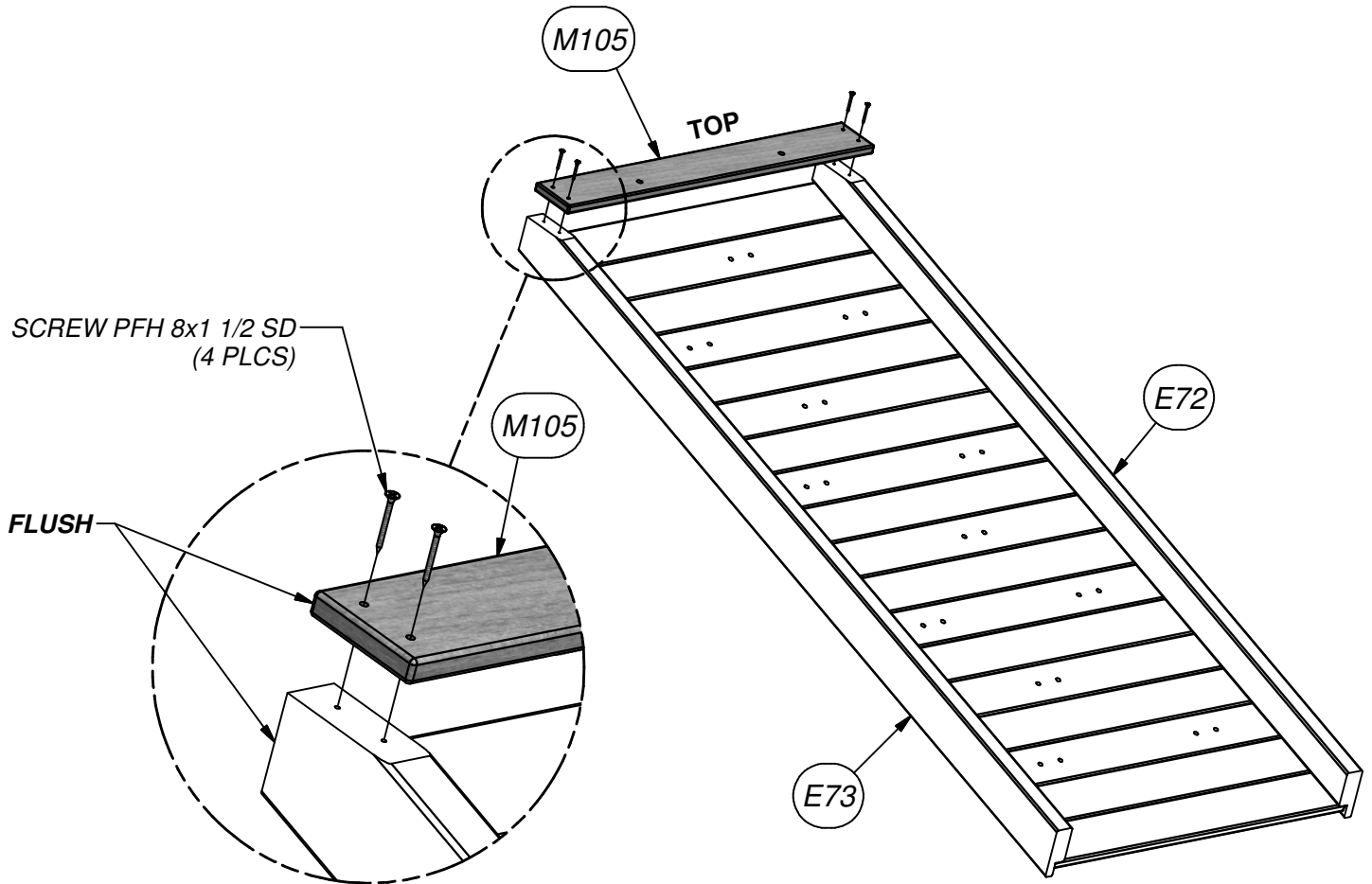




**ROCK WALL ASSEMBLY
STEP 2**



**NOTE:
ORIENTATION OF 'M105'**

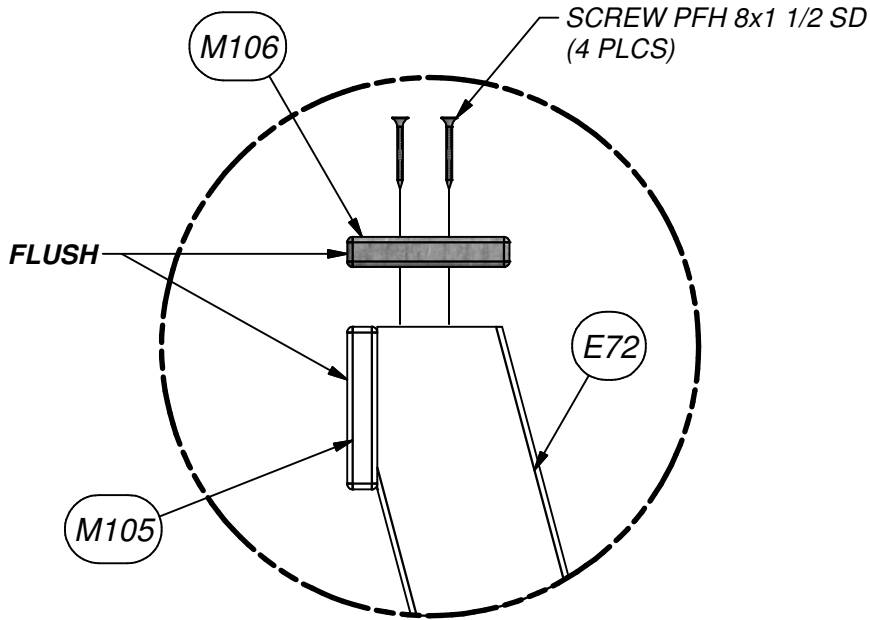
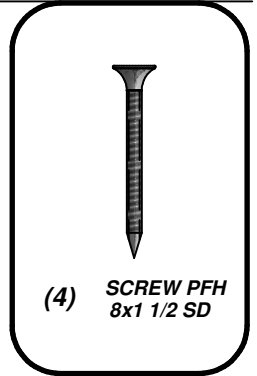


**NOTE:
USE PILOT HOLES TO ATTACH 'M105'**

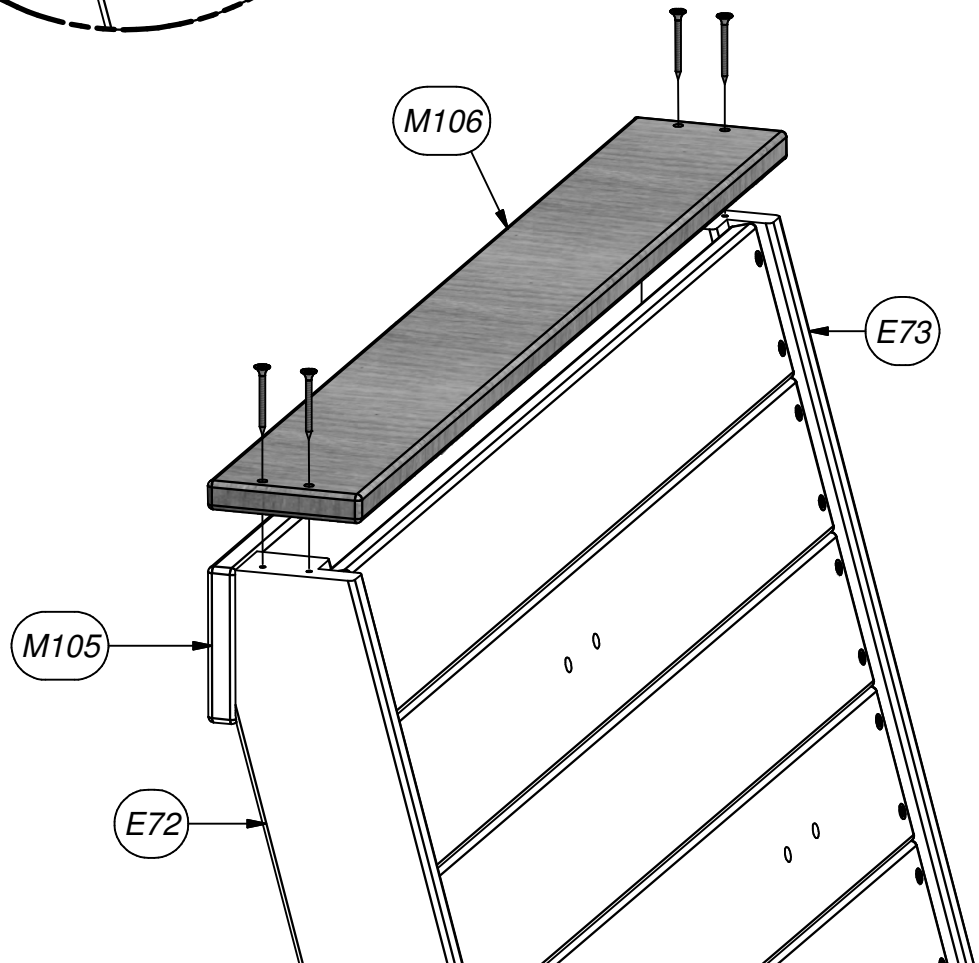


- (1) **M106 - ROCK WALL TOP BOARD - W4L11424**
5/8"x3 3/8"x27 7/8" (16x86x707)

ROCK WALL ASSEMBLY
STEP 3



NOTE:
USE PILOT HOLES
TO ATTACH 'M106'






(6) - BLUE HC ROCK #1 - A6P00041




(6) - LIME HC ROCK #2 - A6P00128


ROCK WALL ASSEMBLY STEP 4



(24) BOLT PTH
1/4x3/4 SD

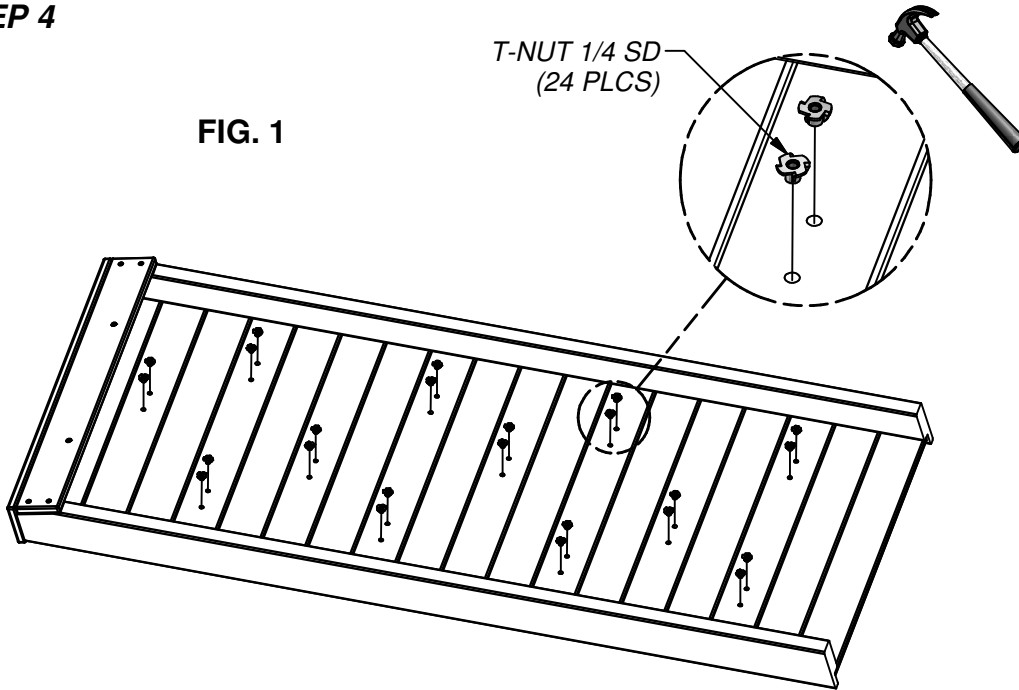


(24) T-NUT 1/4 SD



(24) WASHER
LOCK INT
8x15 SD

FIG. 1

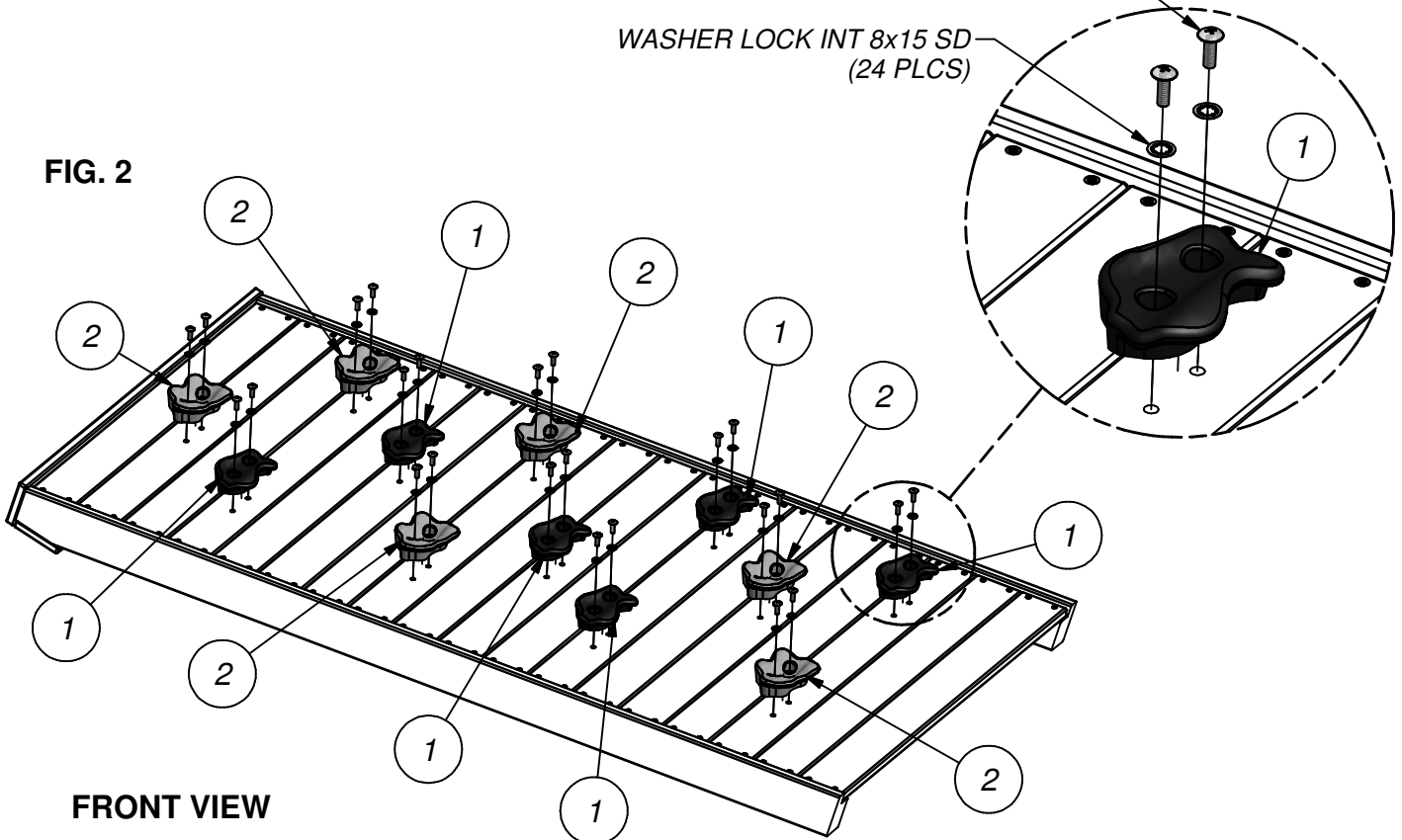


BACK VIEW

BOLT PTH 1/4x3/4 SD
(24 PLCS)

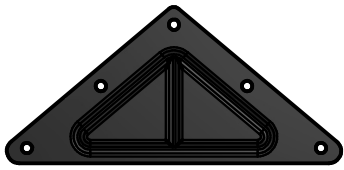
WASHER LOCK INT 8x15 SD
(24 PLCS)

FIG. 2



FRONT VIEW

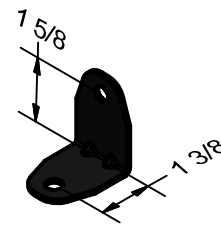
(2) SB - TRIANGLE PLATE BLUE 100 5 HOLE - A100309



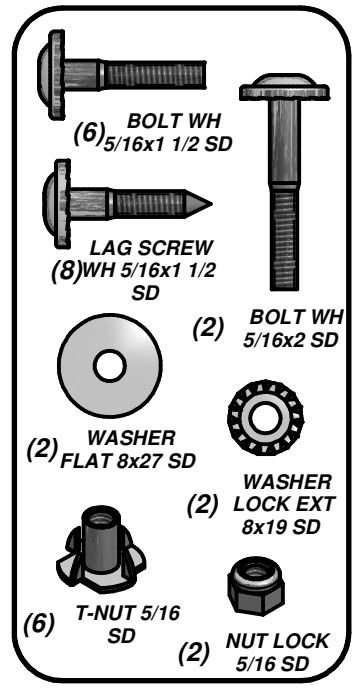
(4) - METAL RUNG 559 BLUE - A4M00585



(2) - L BRACKET BLUE 2.5x38x50x55 - A4M00584



(2) E74 - MONKEY BAR RAIL - W4L11426
1 3/8"x3 3/8"x77 1/8" (36x86x1959)



MONKEY BAR ASSEMBLY STEP 1

NOTE:
USE PILOT HOLES TO
ATTACH METAL RUNGS

FIG. 1

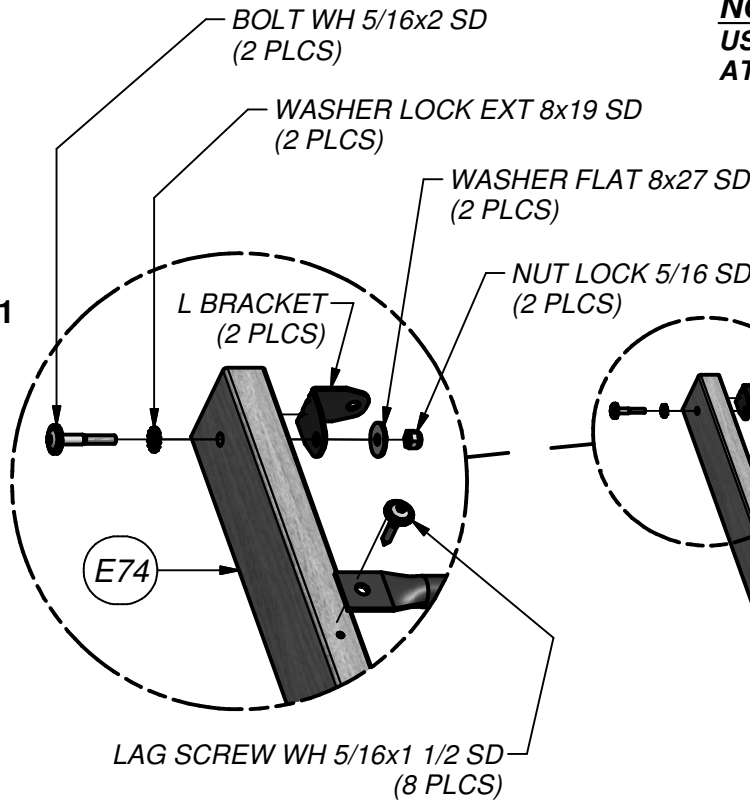
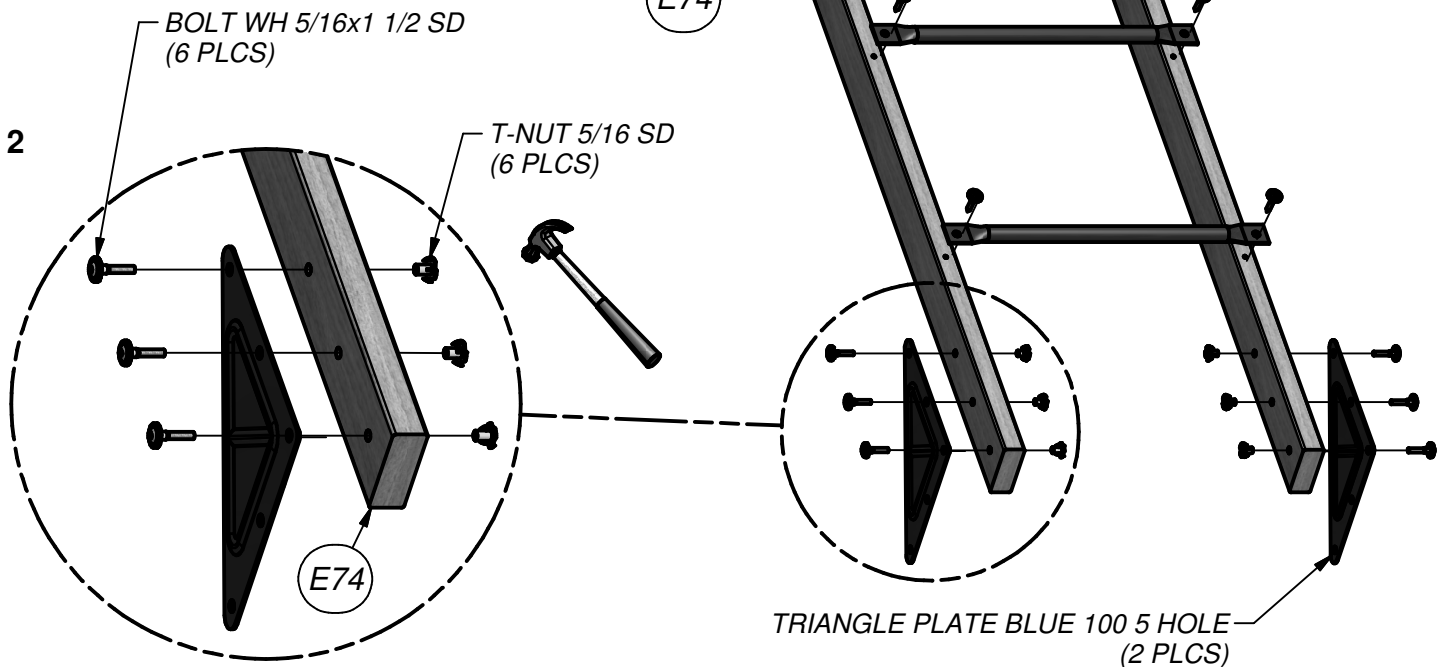


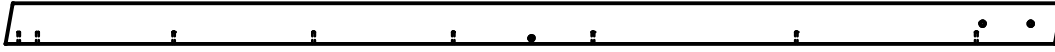
FIG. 2



TRIANGLE PLATE BLUE 100 5 HOLE
(2 PLCS)



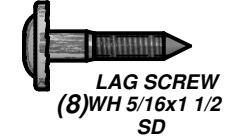
(4) - METAL RUNG 559 BLUE - A4M00585



(2) E79 - MONKEY BAR UPRIGHT - W4L11427
1 3/8"x3 3/8"x88 1/8" (36x86x2237)



(4) BOLT WH
5/16x1 1/2 SD



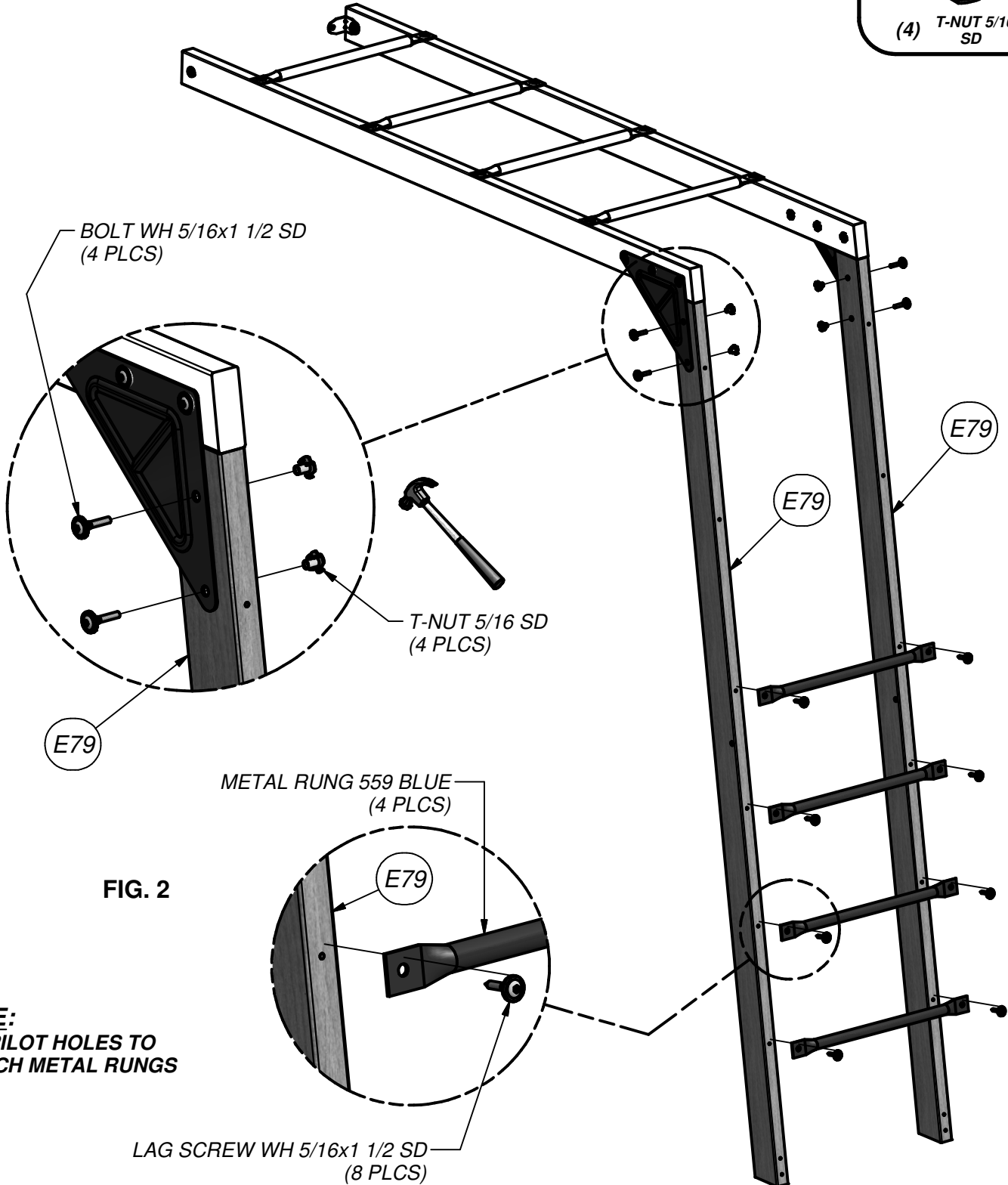
LAG SCREW
(8)WH 5/16x1 1/2
SD



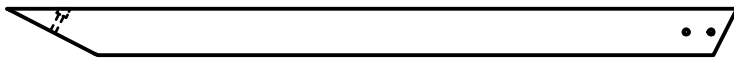
(4) T-NUT 5/16
SD

MONKEY BAR ASSEMBLY STEP 2

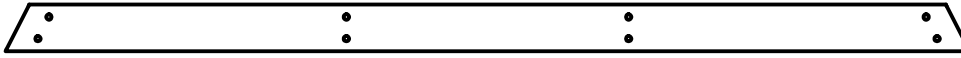
FIG. 1



NOTE:
USE PILOT HOLES TO
ATTACH METAL RUNGS



(2) H81 - MONKEY BAR BRACE - W4L11428
1"x3 3/8"x53 1/4" (24x86x1352)



(1) H82 - MONKEY BAR GROUND BOARD - W4L11429
1"x3 3/8"x70 3/8" (24x86x1786)

MONKEY BAR ASSEMBLY STEP 3

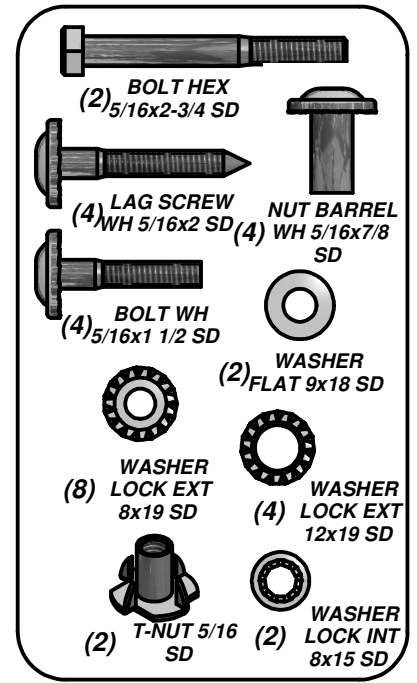
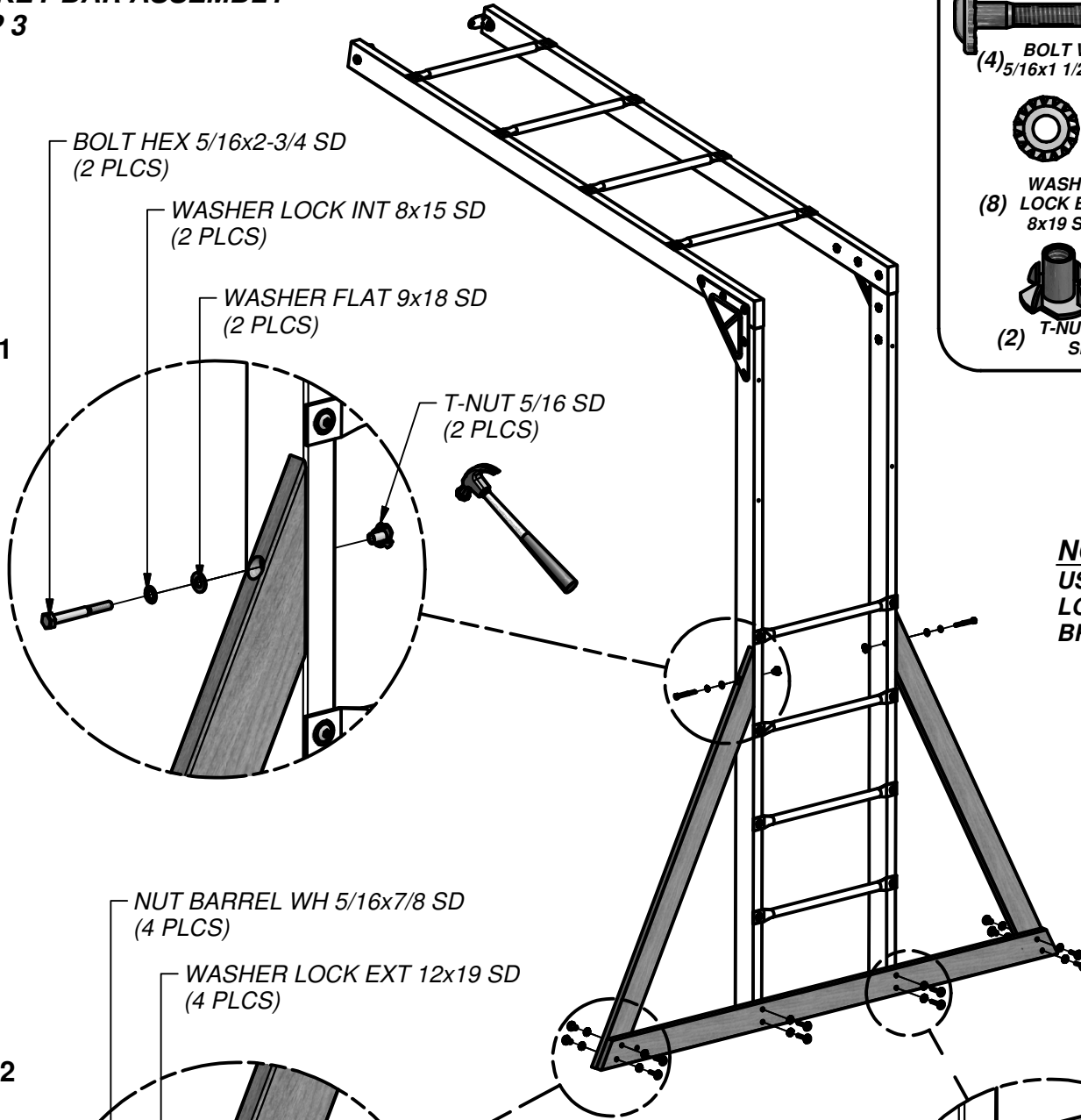


FIG. 1



NOTE:
USE HOLES TO
LOCATE ANGLE
BRACES

FIG. 2

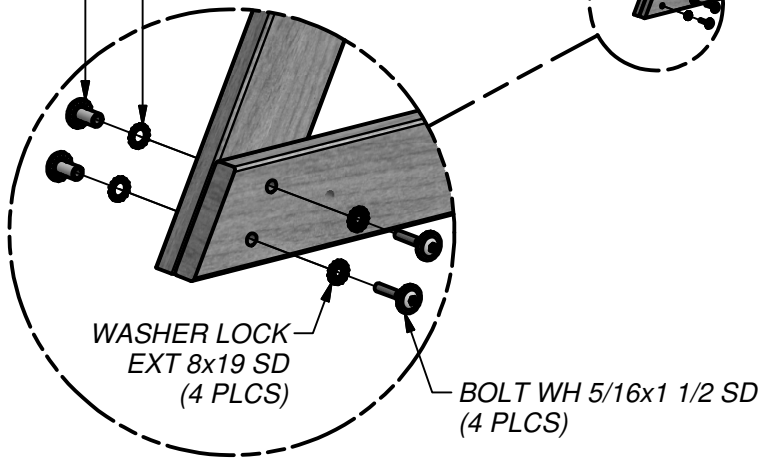
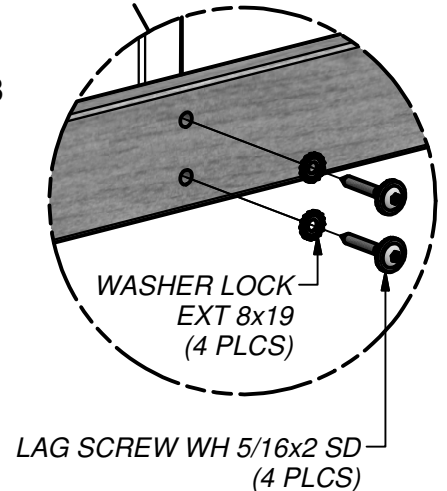


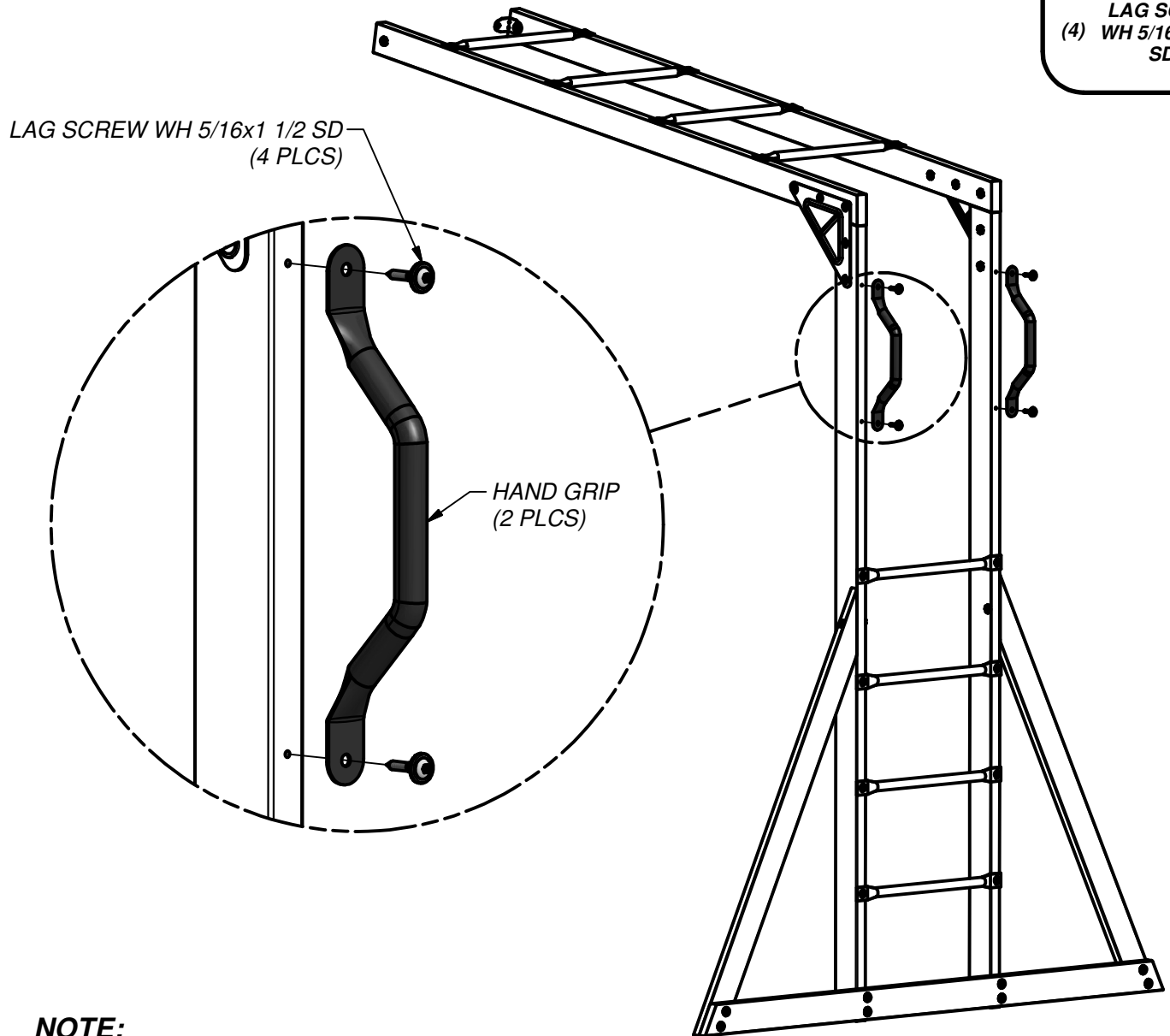
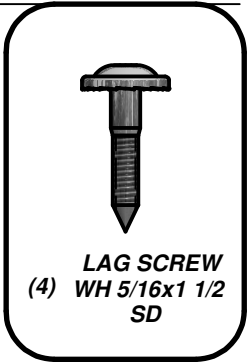
FIG. 3





(2) FX - HAND GRIP METAL BLUE 381 c/c - A4M00769

**MONKEY BAR ASSEMBLY
STEP 4**



**NOTE:
USE PILOT HOLES TO
ATTACH HAND GRIPS**



(1) **E77 - LEFT UPRIGHT - W4L11414**
1 3/8"x3 3/8"x64 3/8" (36x86x1634)

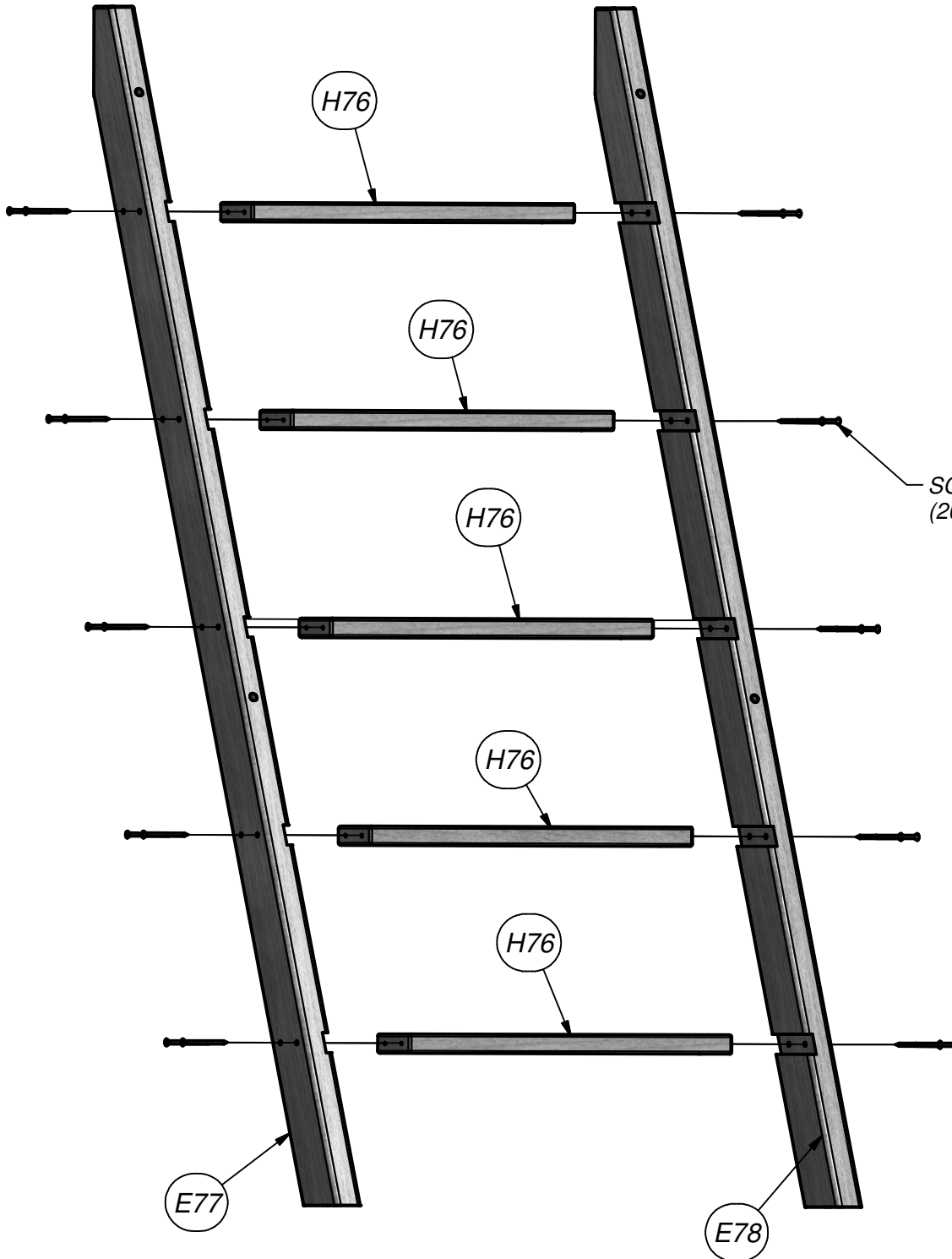


(1) **E78 - RIGHT UPRIGHT - W4L11415**
1 3/8"x3 3/8"x64 3/8" (36x86x1634)



(5) **H76 - LADDER RUNG - W4L11416**
1"x3 3/8"x18 1/8" (24x86x460)

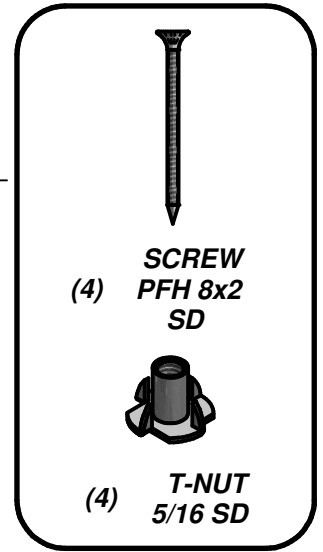
LADDER ASSEMBLY STEP 1



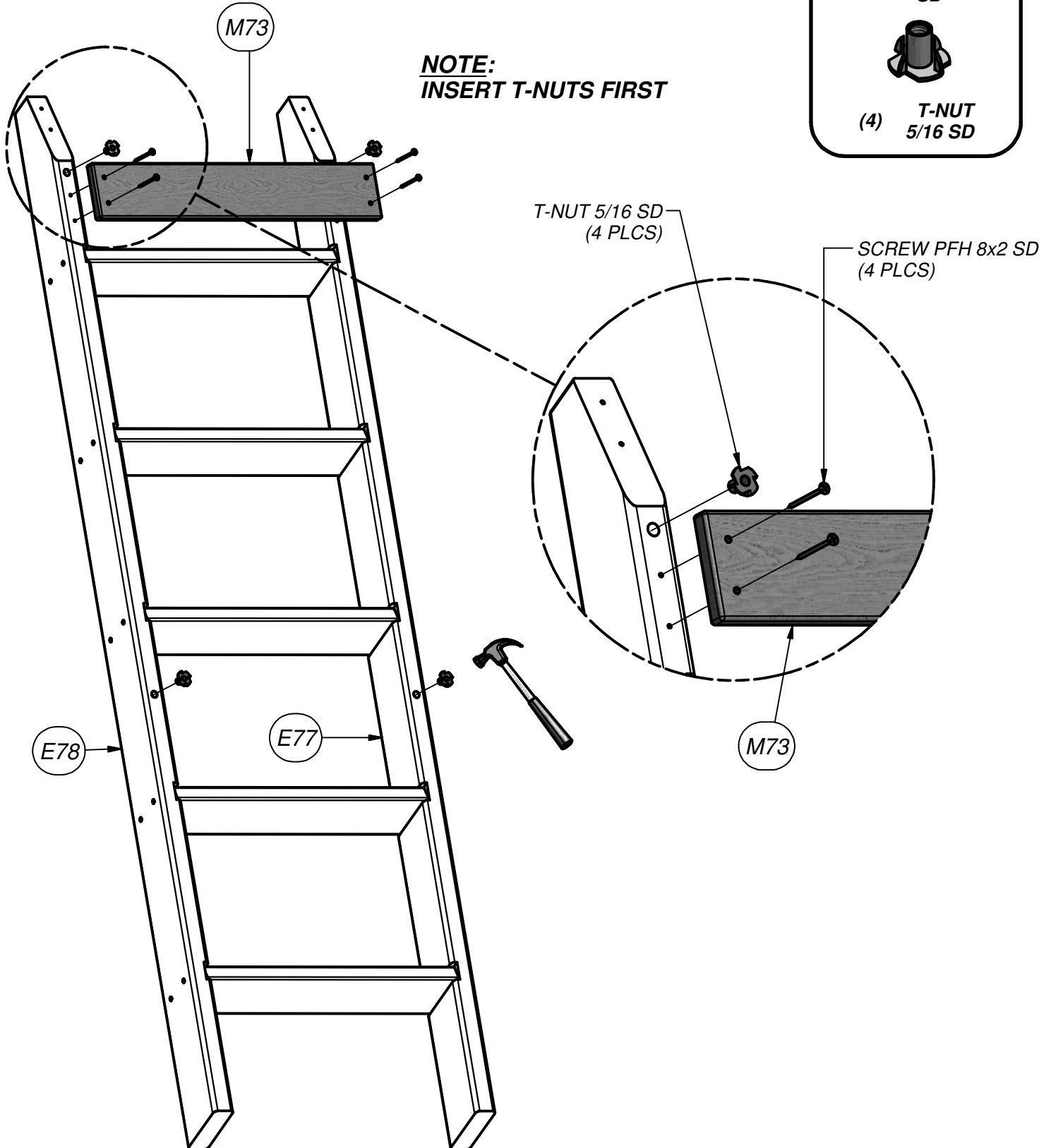


(1) **M73 - REAR SUPPORT - W4L11417**
5/8"x3 3/8"x20 1/8" (16x86x512)

LADDER ASSEMBLY
STEP 2



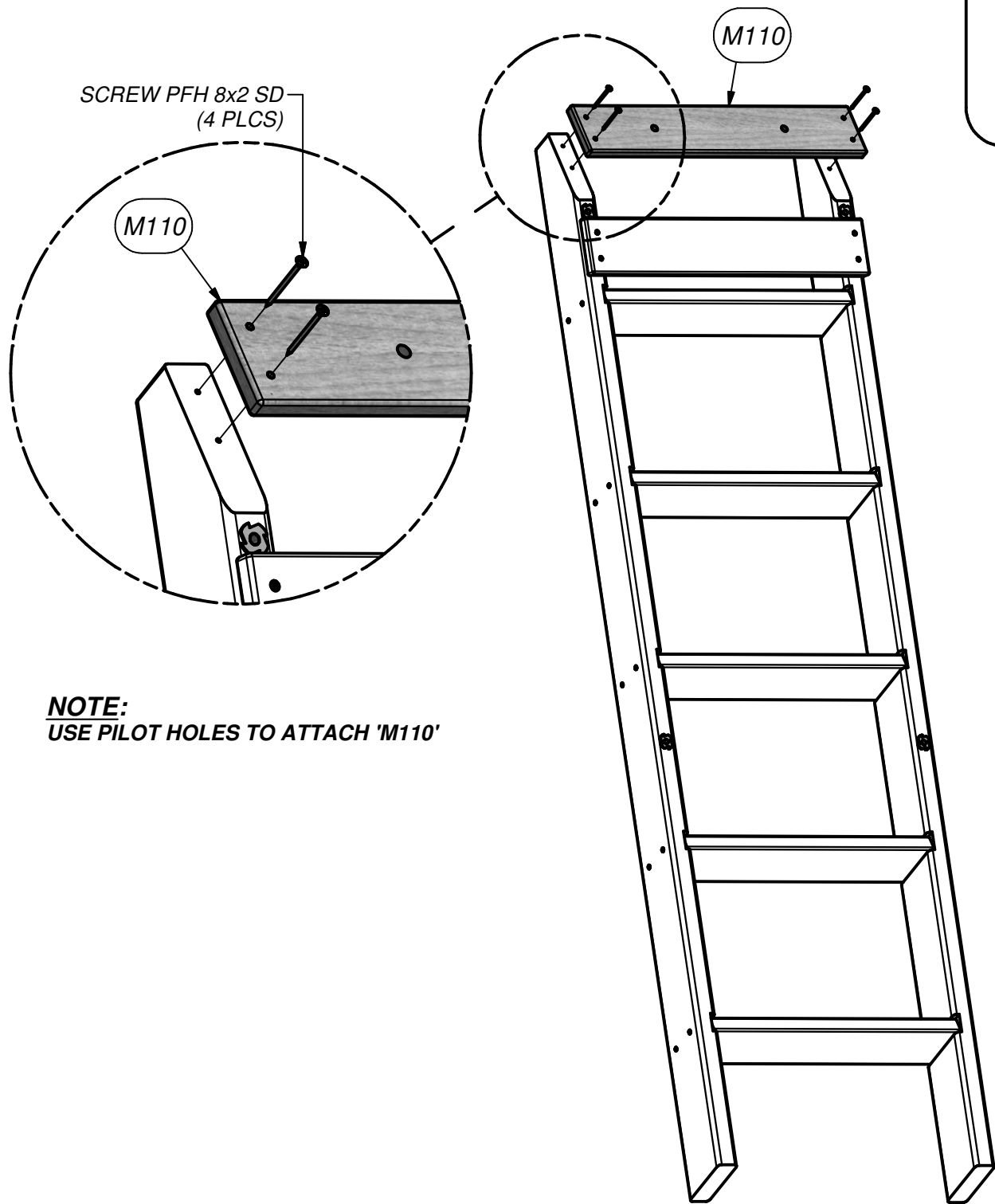
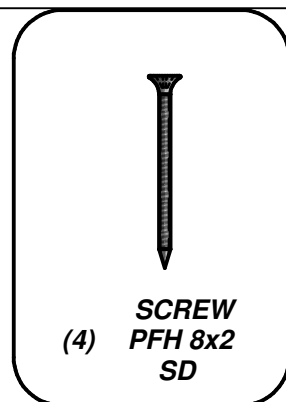
NOTE:
INSERT T-NUTS FIRST





- (1) **M110 - ATTACHMENT BOARD - W4L11418**
5/8"x3 3/8"x20 1/8" (16x86x512)

LADDER ASSEMBLY
STEP 3

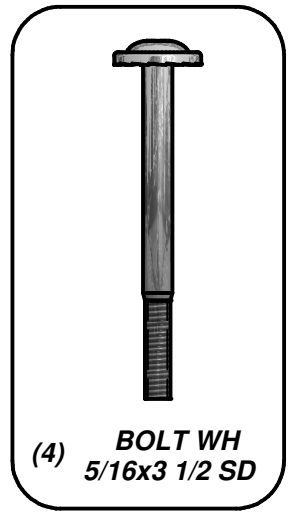


NOTE:
USE PILOT HOLES TO ATTACH 'M110'



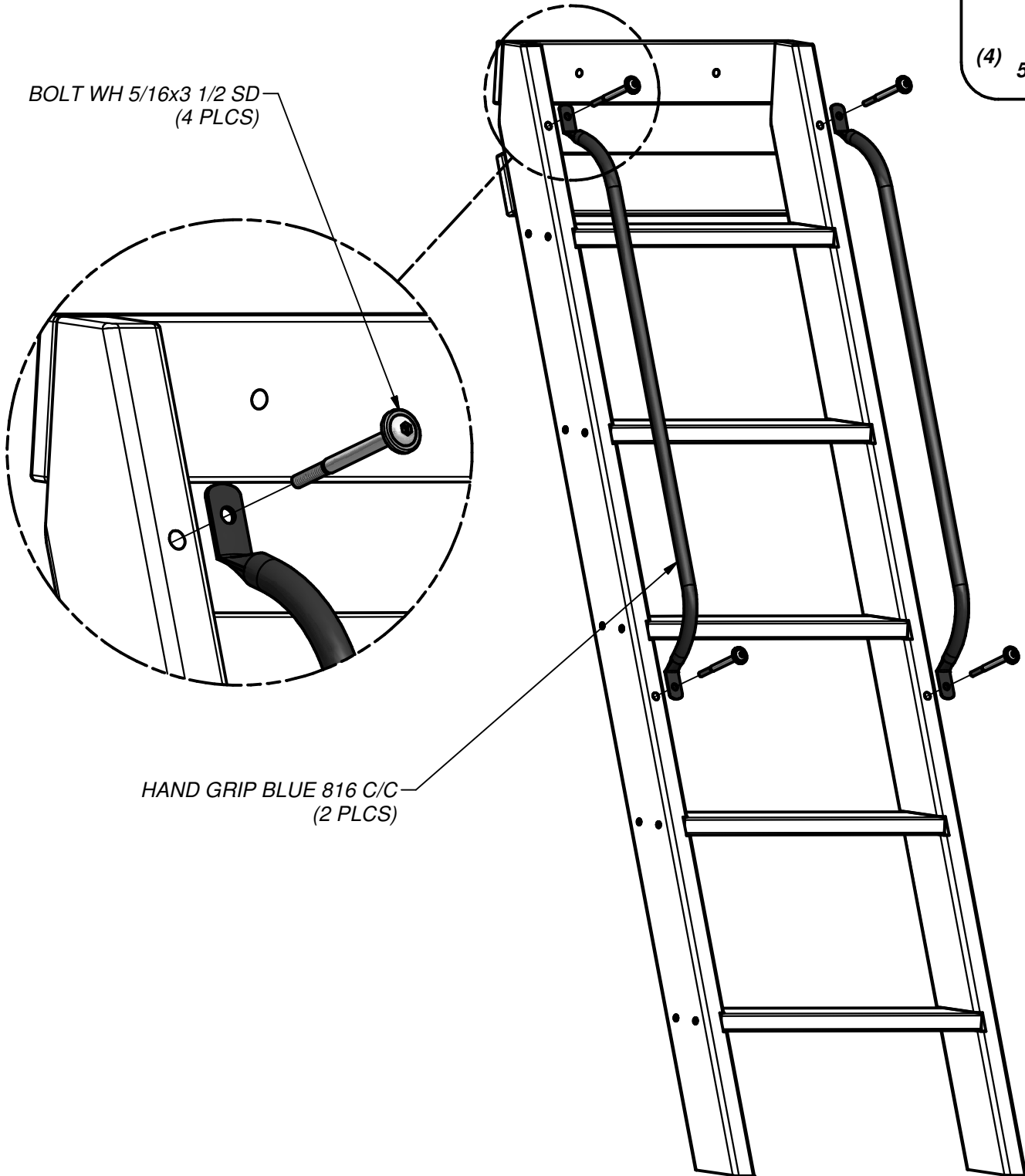
(2) *JV - HAND GRIP BLUE 816 C/C - A4M00853*

**LADDER ASSEMBLY
STEP 4**



(4) *BOLT WH
5/16x3 1/2 SD*

*BOLT WH 5/16x3 1/2 SD
(4 PLCS)*



*HAND GRIP BLUE 816 C/C
(2 PLCS)*

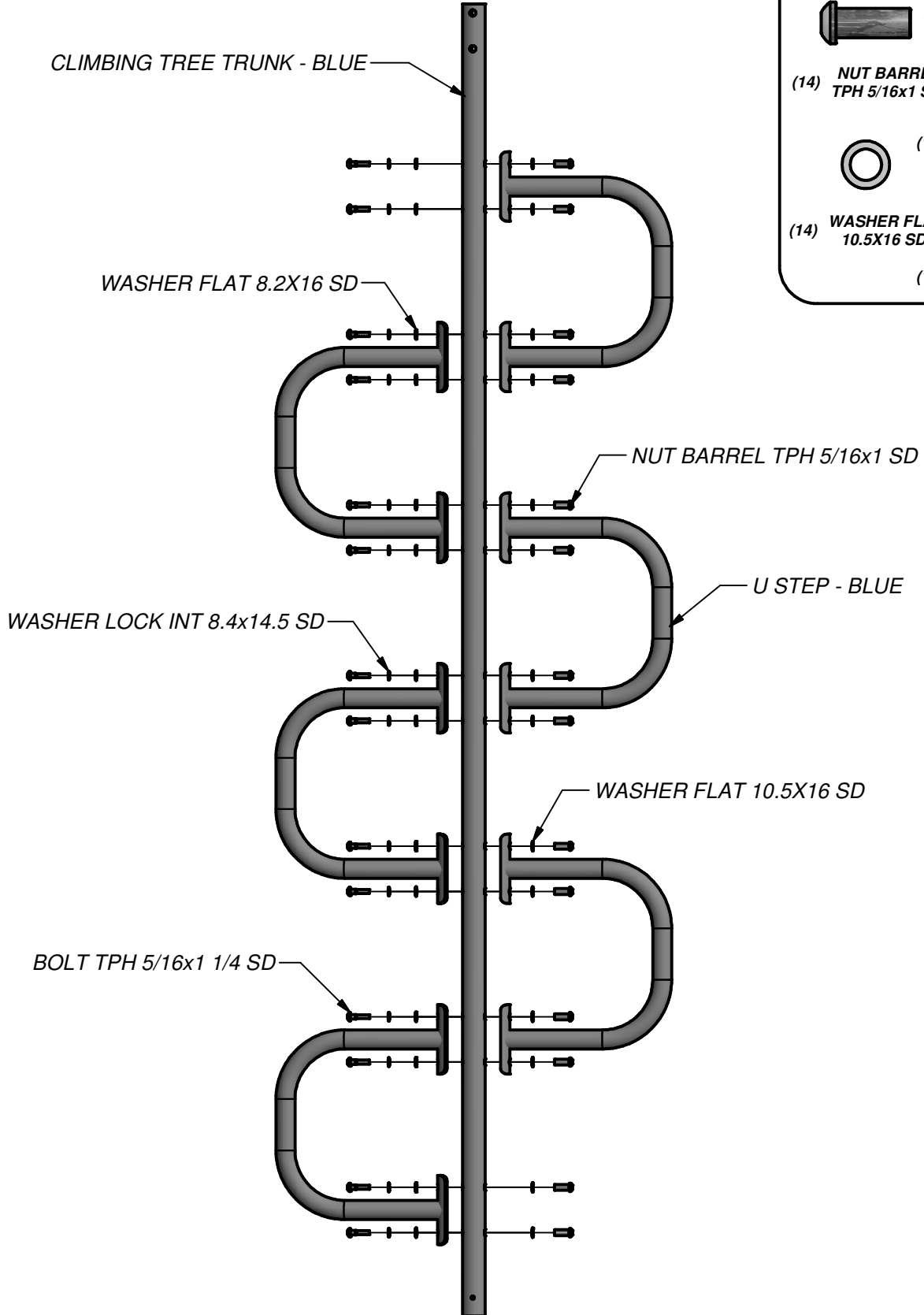


(1) - CLIMBING TREE TRUNK - BLUE - A4M00914



(6) - LADDER RUNG - A4M00864

CLIMBING TREE ASSEMBLY STEP 1

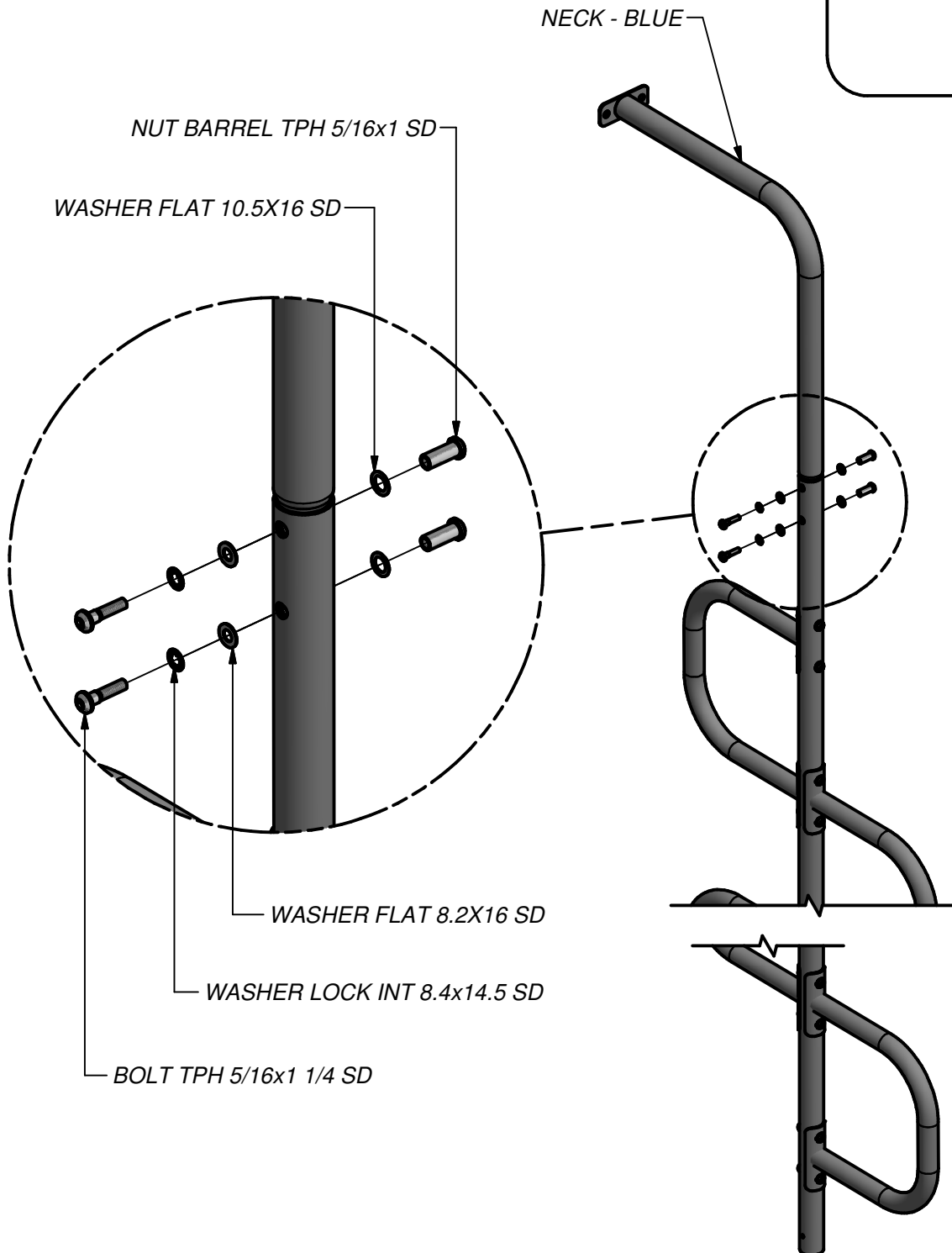
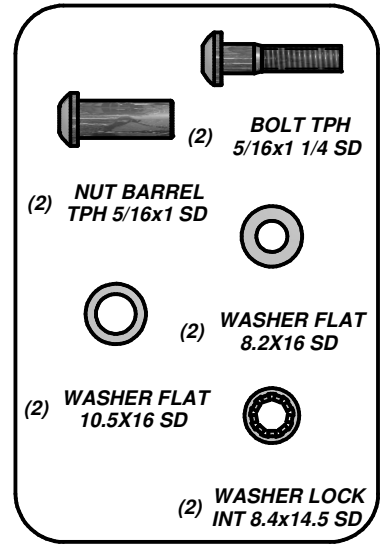


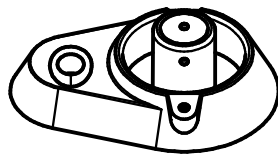
- (14) BOLT TPH 5/16x1 1/4 SD
- (14) NUT BARREL TPH 5/16x1 SD
- (14) WASHER FLAT 8.2X16 SD
- (14) WASHER FLAT 10.5X16 SD
- (14) WASHER LOCK INT 8.4x14.5 SD



(1) - CLIMBING TREE 5' EXT - BLUE - A4M00916

CLIMBING TREE ASSEMBLY STEP 2





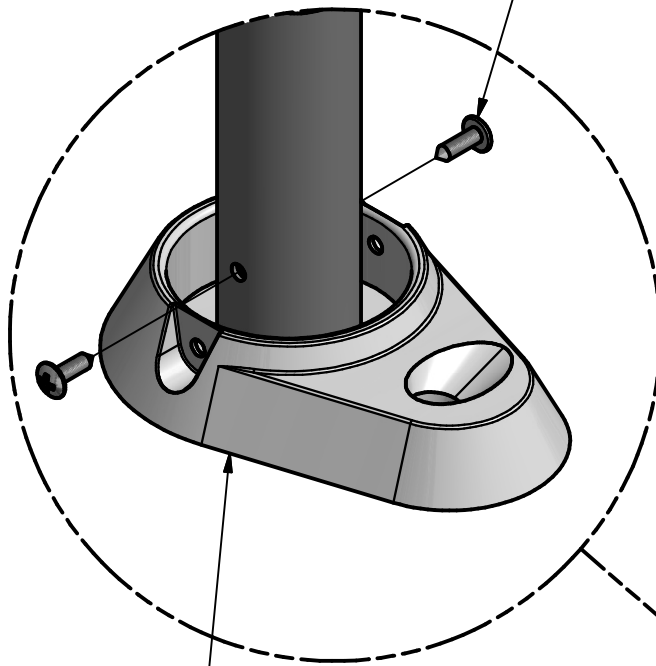
(1) - LADDER FOOT - A6P00190

**CLIMBING TREE ASSEMBLY
STEP 3**

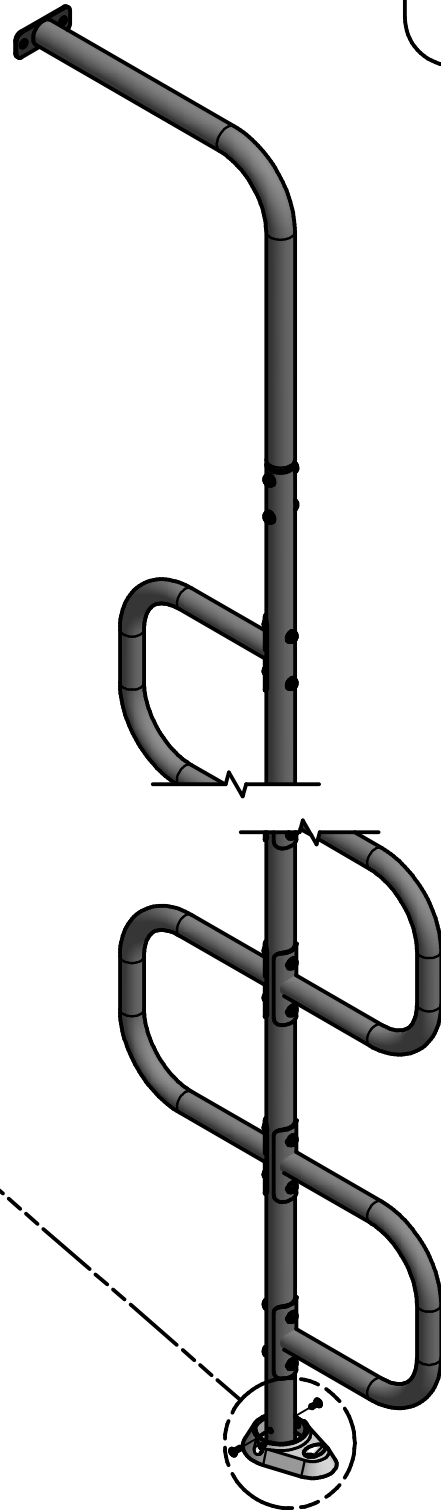


**SCREW
(2) TAPPING PPH
5x15mm SD**

SCREW TAPPING PPH 5x15mm SD
(2 PLCS)



LADDER FOOT





(2) B02 - UPRIGHT - W4L11253
3"x3"x59" (76x76x1500)



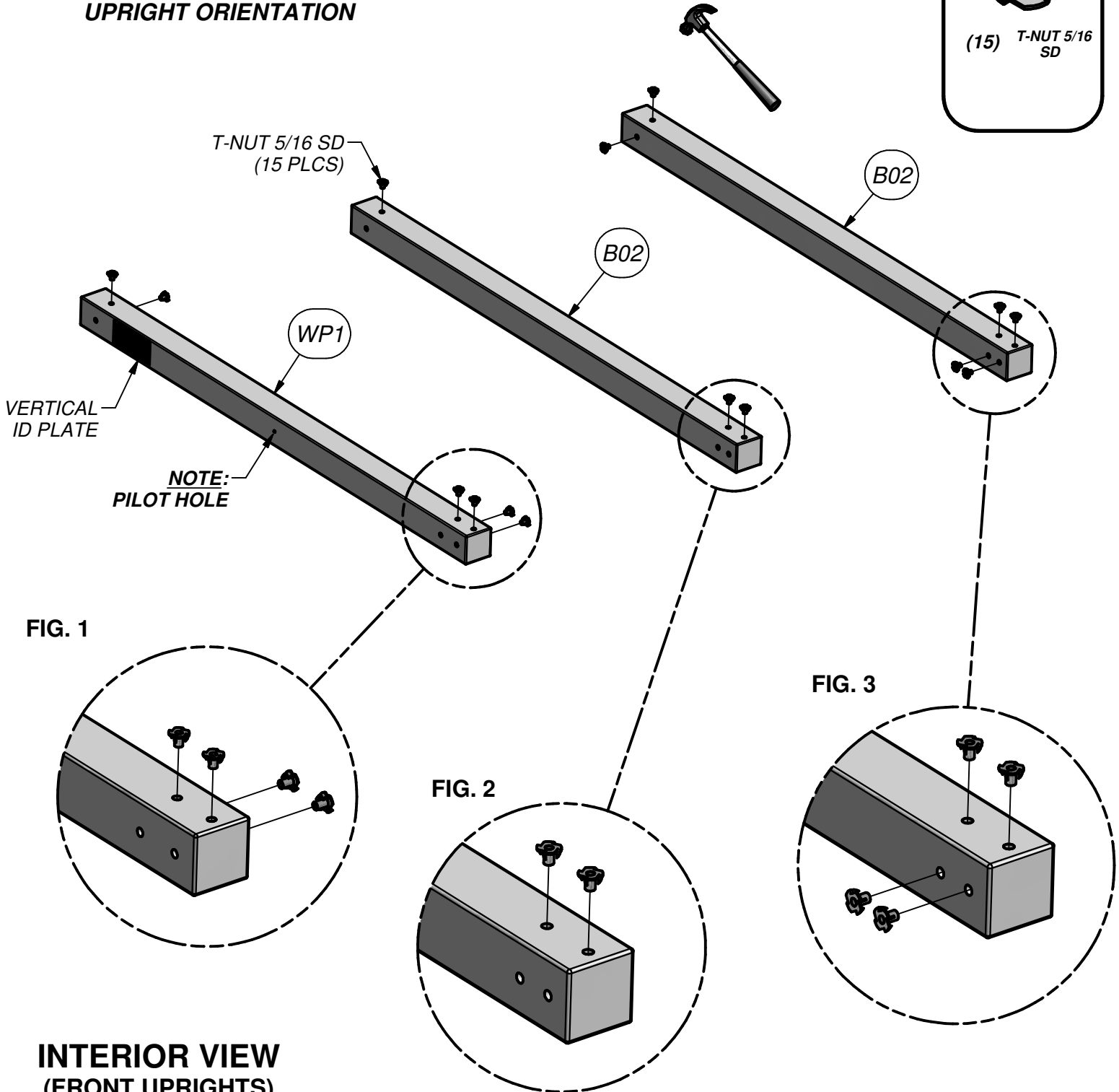
(1) WP1 - WARNING PLATE UPRIGHT - W2A02508
3"x3"x59" (76x76x1500)

STEP 1

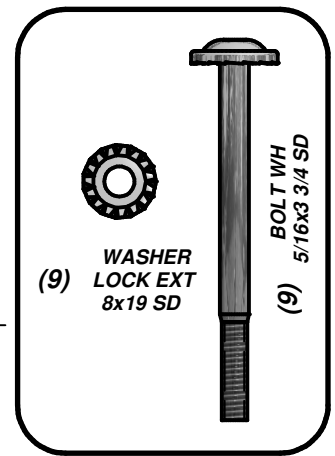
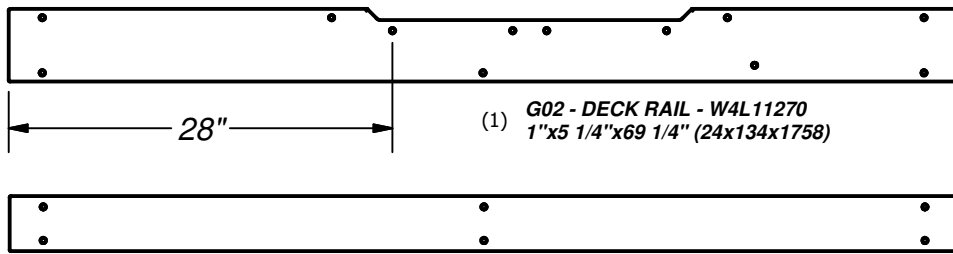
NOTE:
UPRIGHT ORIENTATION



(15) T-NUT 5/16
SD



INTERIOR VIEW
(FRONT UPRIGHTS)
LARGE FORT



STEP 2

**NOTE:
UPRIGHT ORIENTATION**

FIG. 1

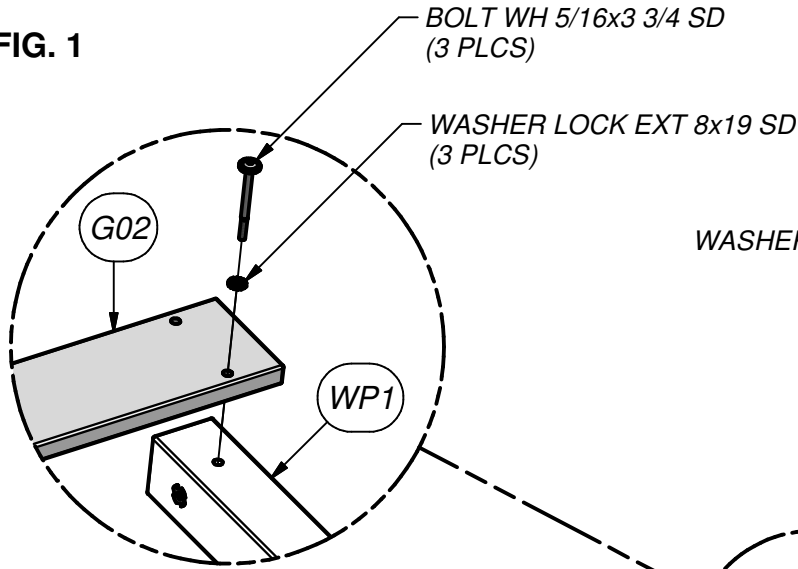
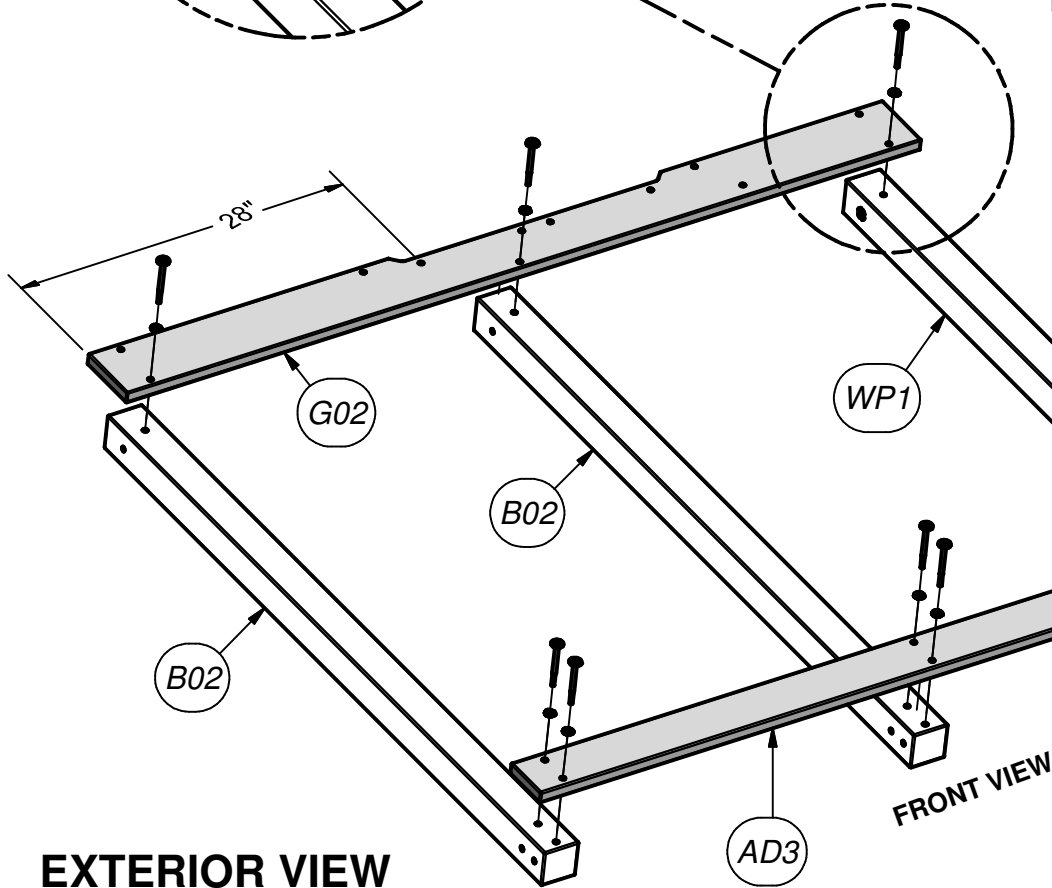
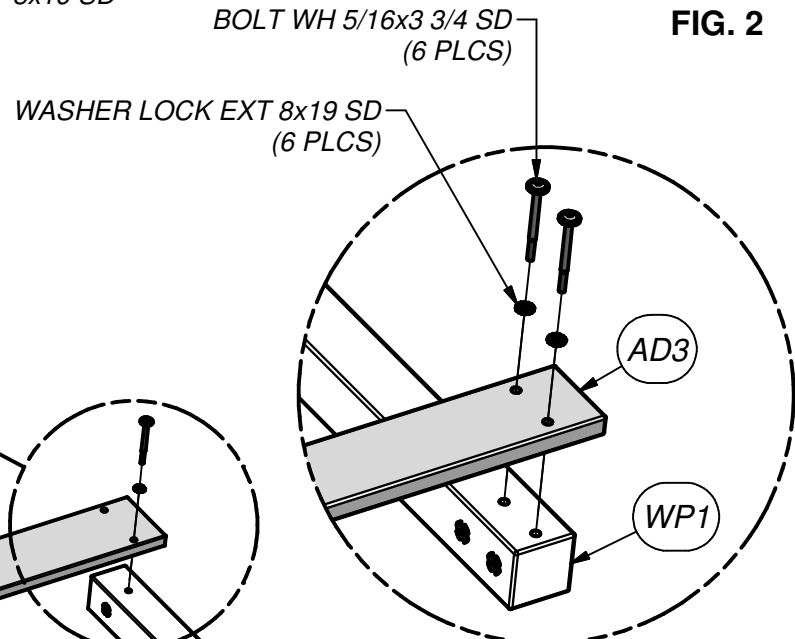


FIG. 2



**EXTERIOR VIEW
(FRONT WALL)
LARGE FORT**





(2) H01 - FLOOR SUPPORT - W4L11260
1"x3 3/8"x29" (24x86x738)



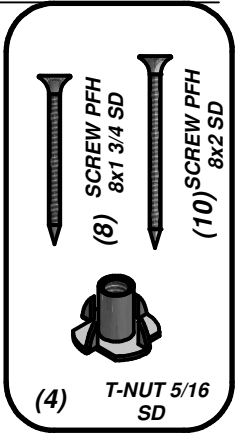
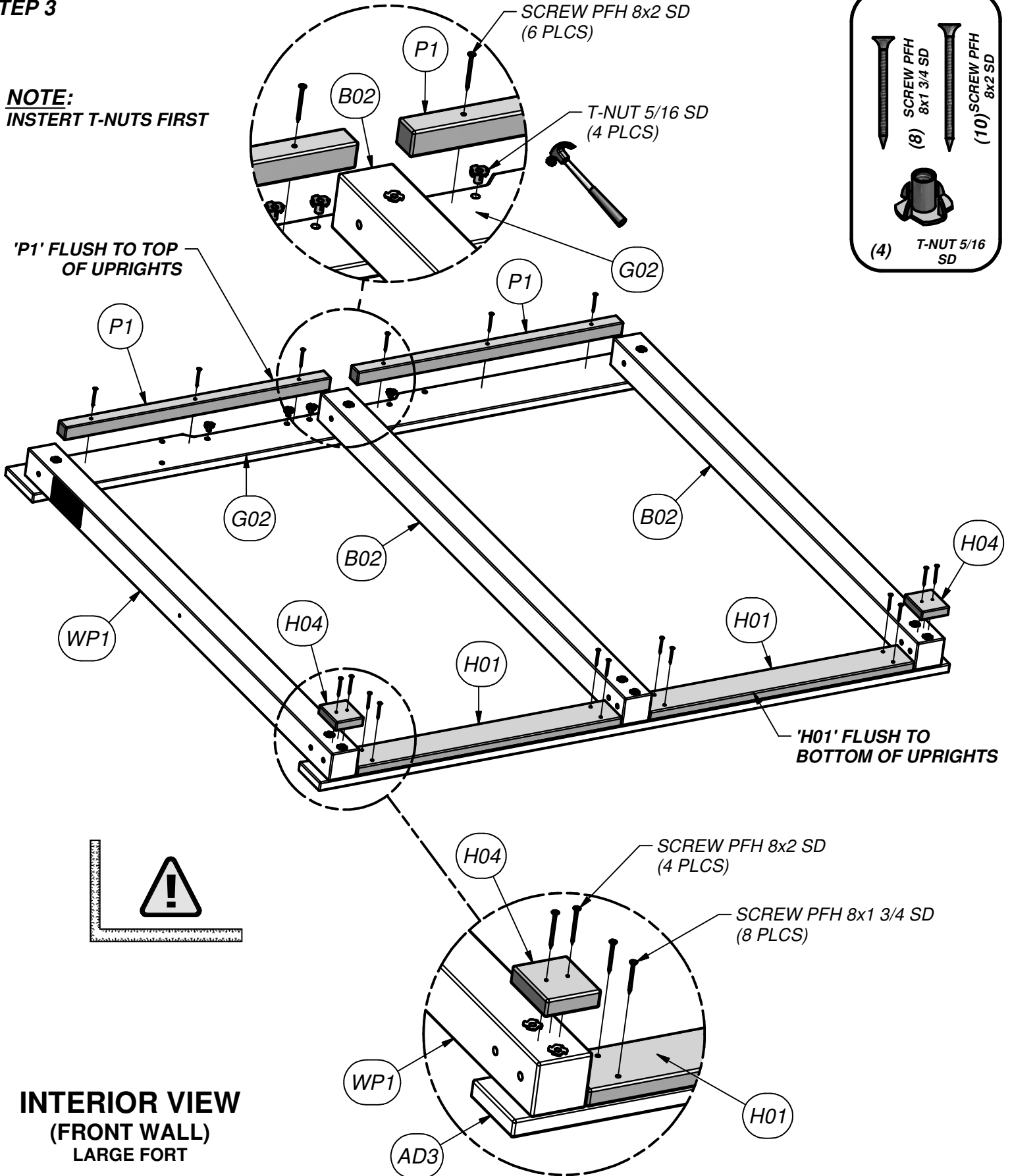
(2) H04 - BLOCK - W4L11263
1"x3 3/8"x3" (24x86x76)



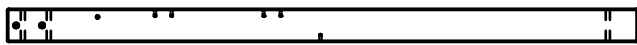
(2) P1 - FLOOR SUPPORT - W4L11276
1 3/8"x1 3/8"x29 1/8" (36x36x740)

STEP 3

NOTE:
INSTERT T-NUTS FIRST



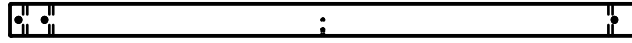
INTERIOR VIEW
(FRONT WALL)
LARGE FORT



(1) B01 - UPRIGHT - W4L11252
3"x3"x59" (76x76x1500)



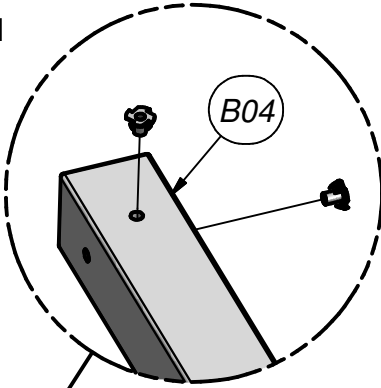
(1) B03 - UPRIGHT - W4L11255
3"x3"x59" (76x76x1500)



(1) B04 - UPRIGHT - W4L11278
3"x3"x59" (76x76x1500)

STEP 4

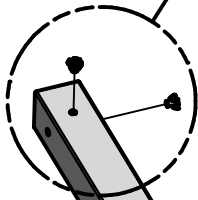
FIG. 1



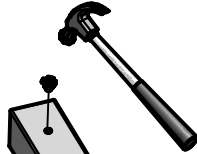
NOTE:
UPRIGHT ORIENTATION



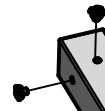
(15) T-NUT 5/16
SD



B04



B01



B03

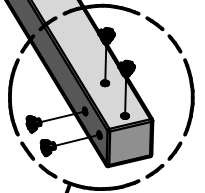
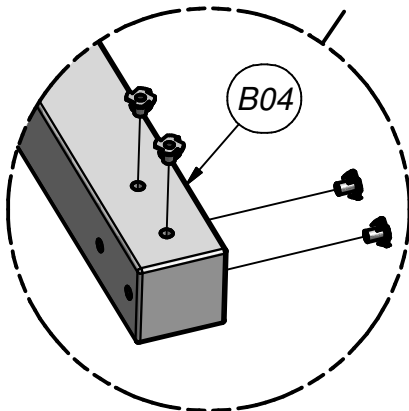
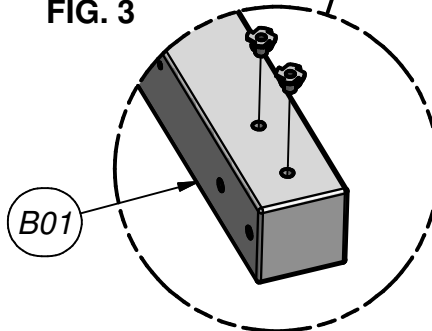


FIG. 2



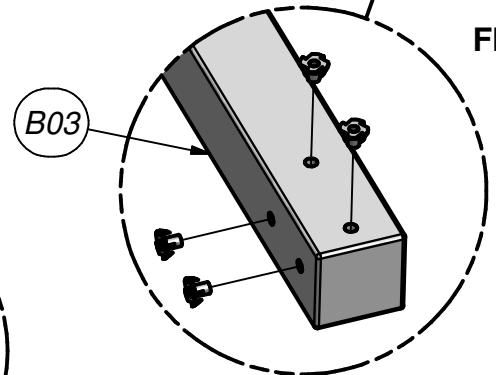
B04

FIG. 3



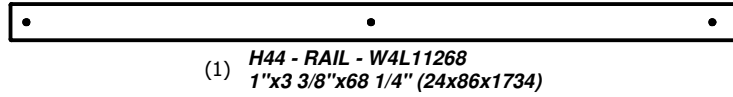
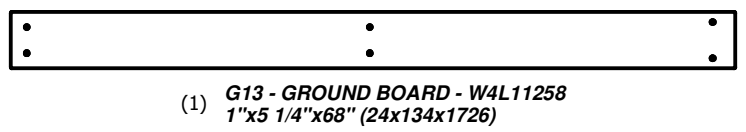
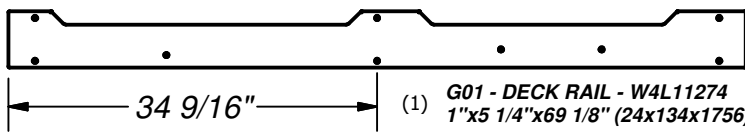
B01

FIG. 4



B03

INTERIOR VIEW
(BACK UPRIGHTS)
LARGE FORT



STEP 5

**NOTE:
UPRIGHT ORIENTATION**

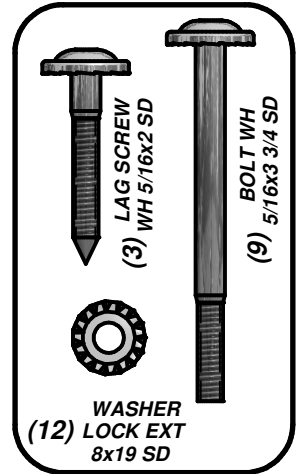
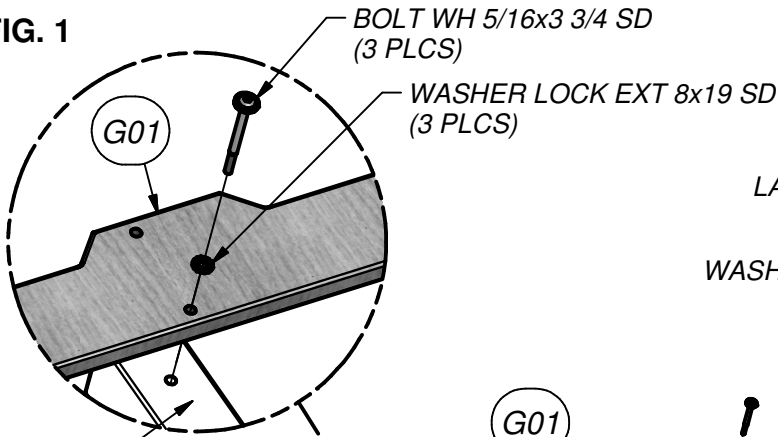


FIG. 1



LAG SCREW WH 5/16x2 SD
(3 PLCS)

WASHER LOCK EXT 8x19 SD
(3 PLCS)

FIG. 2

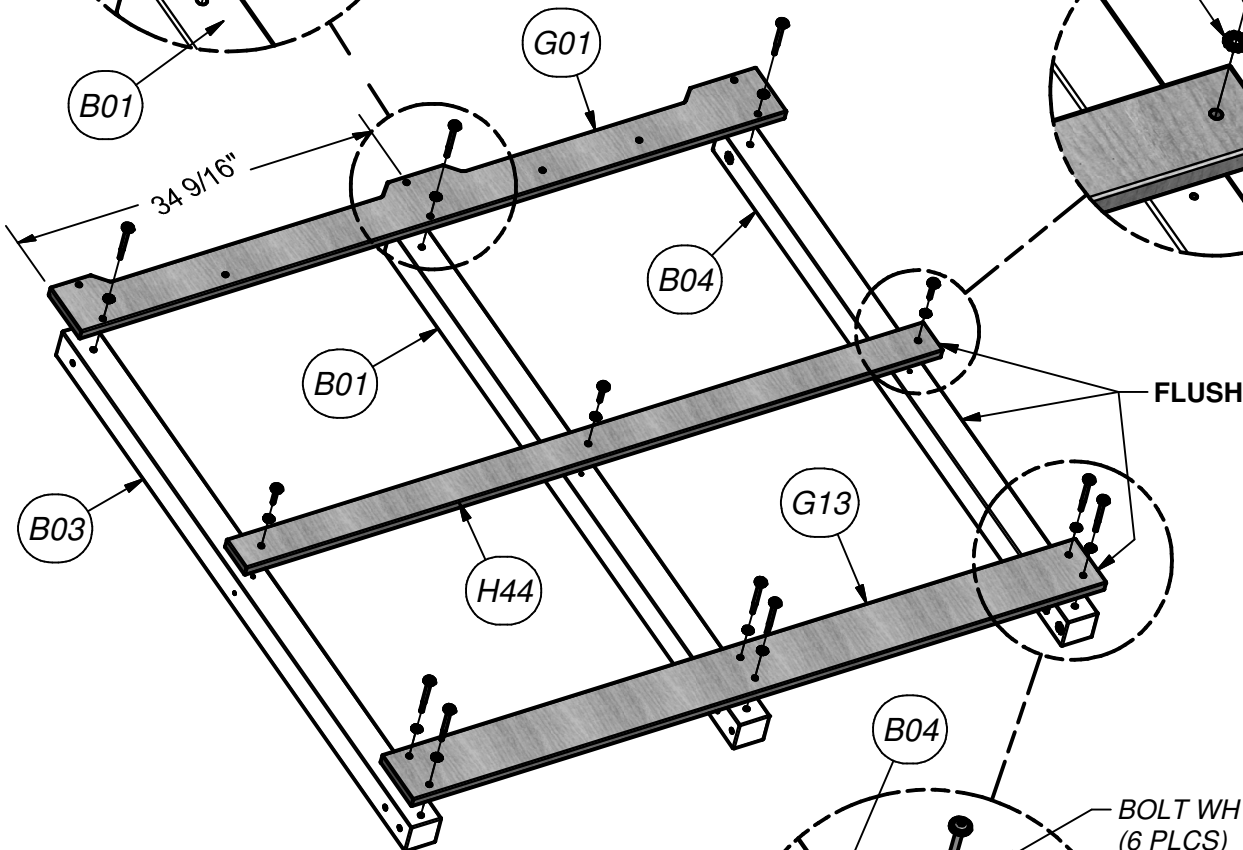
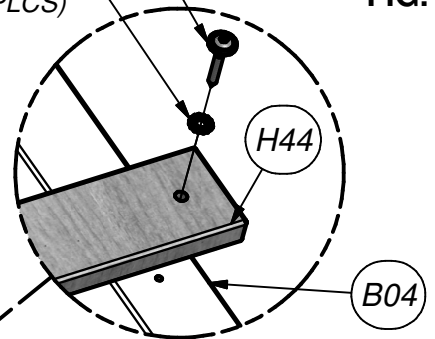
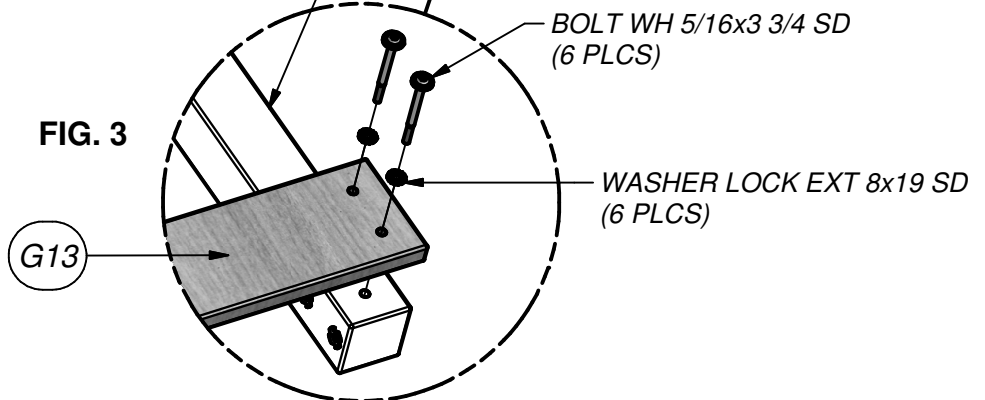


FIG. 3



**EXTERIOR VIEW
(BACK WALL)
LARGE FORT**



(2) **H01 - FLOOR SUPPORT - W4L11260**
1"x3 3/8"x29" (24x86x738)



(2) **H04 - BLOCK - W4L11263**
1"x3 3/8"x3" (24x86x76)



(2) **P1 - FLOOR SUPPORT - W4L11276**
1 3/8"x1 3/8"x29 1/8" (36x36x740)

STEP 6

NOTE:
INSERT T-NUTS FIRST

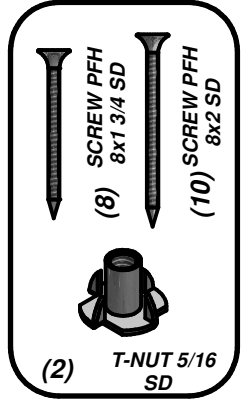
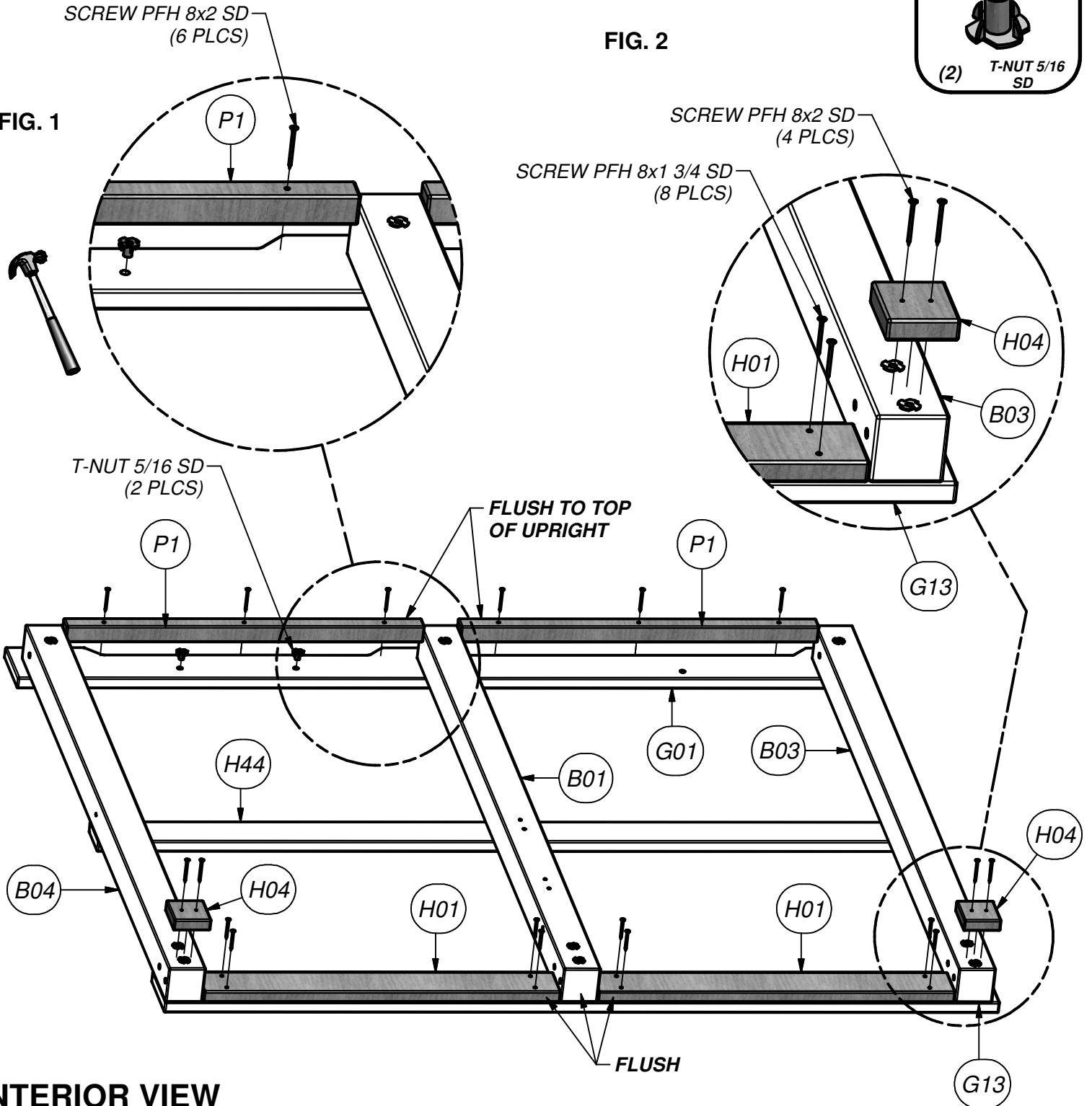
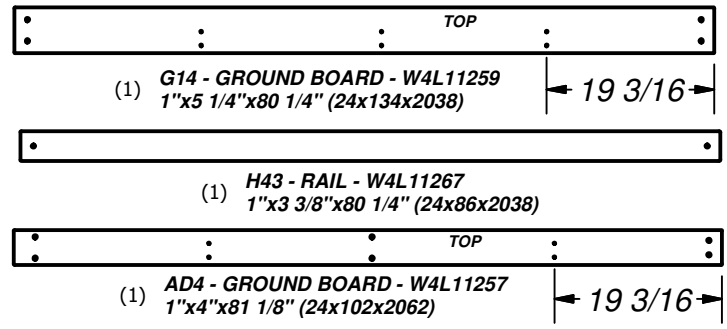
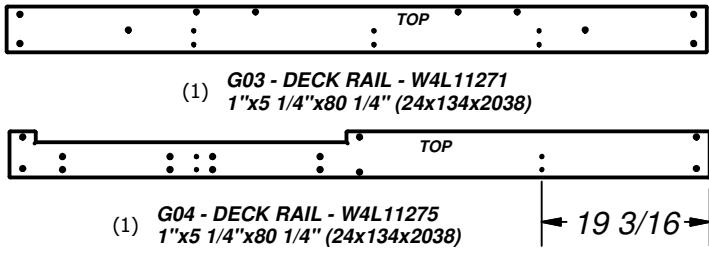


FIG. 1

FIG. 2



INTERIOR VIEW
(BACK WALL)
LARGE FORT

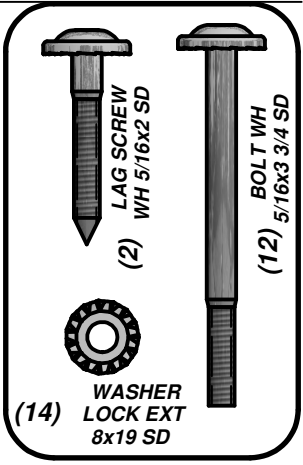


STEP 7

FIG. 1

BOLT WH 5/16x3 3/4 SD
(4 PLCS)

WASHER LOCK EXT 8x19 SD
(4 PLCS)



NOTE:
ALL BOARD ORIENTATION

FIG. 2

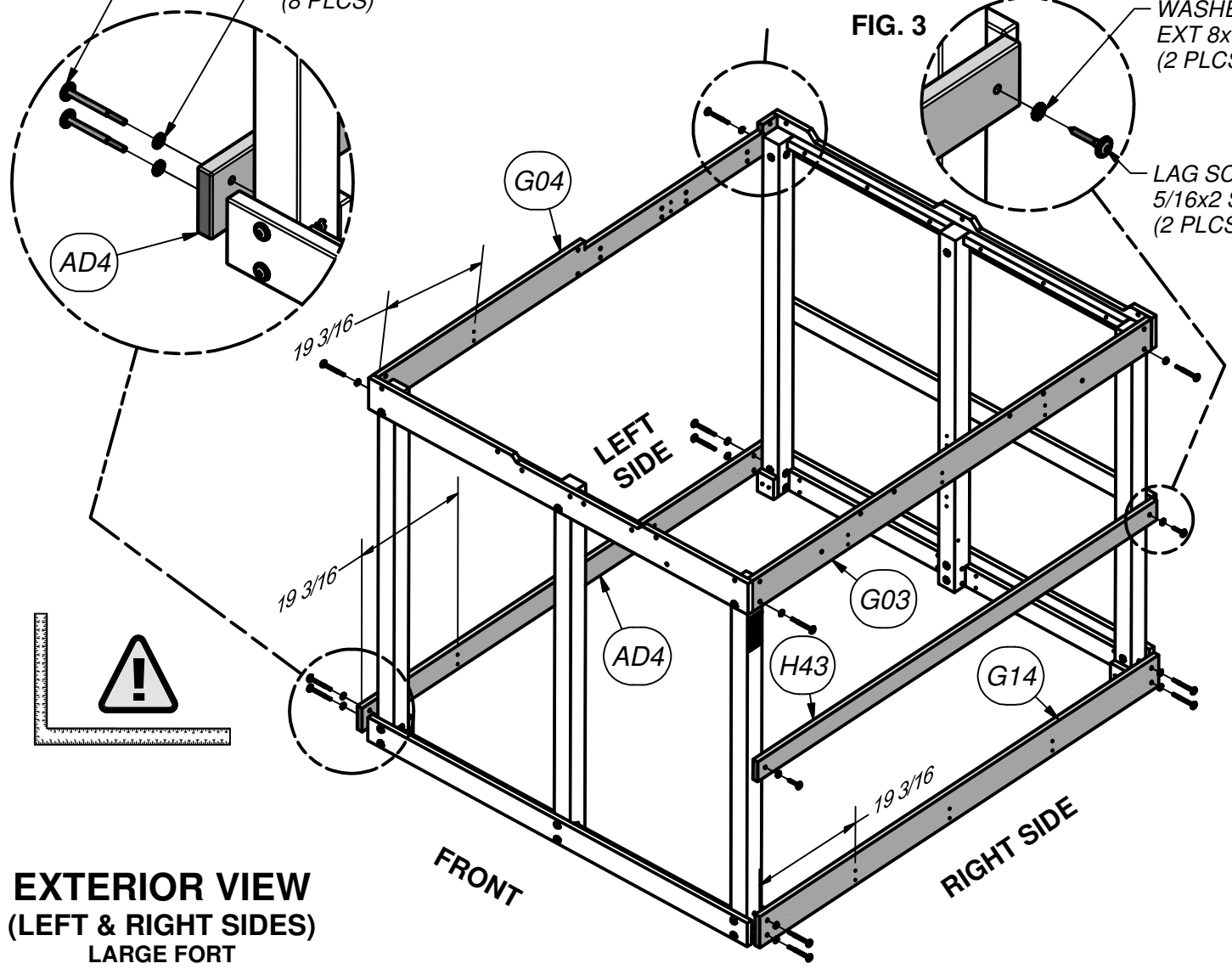
BOLT WH 5/16x3 3/4 SD
(8 PLCS)

WASHER LOCK EXT 8x19 SD
(8 PLCS)

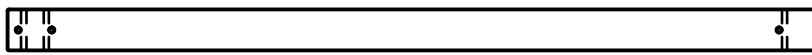
FIG. 3

WASHER LOCK EXT 8x19
(2 PLCS)

LAG SCREW WH 5/16x2 SD
(2 PLCS)



EXTERIOR VIEW
(LEFT & RIGHT SIDES)
LARGE FORT



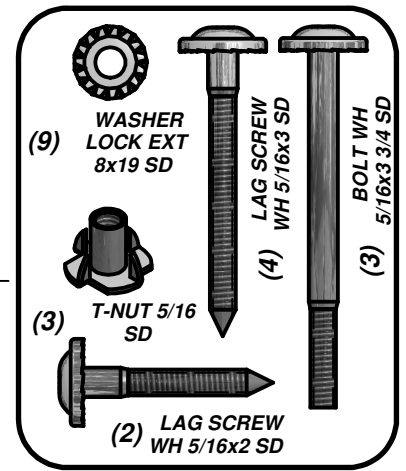
(1) B02 - UPRIGHT - W4L11253
3"x3"x59" (76x76x1500)



(1) E07 - BRIDGE SUPPORT - W4L11359
1 3/8"x3 3/8"x41 5/8" (36x86x1058)



(1) H46 - WALL RAIL - W4L08775
1"x3 3/8"x42 1/2" (24x86x1081)



STEP 8

FIG. 1

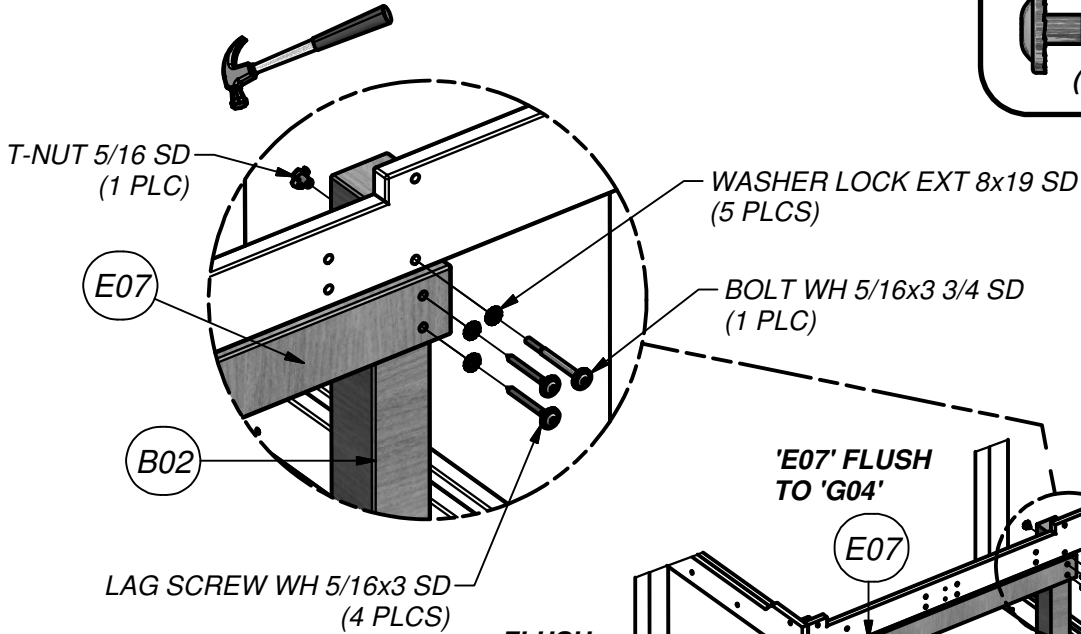


FIG. 2

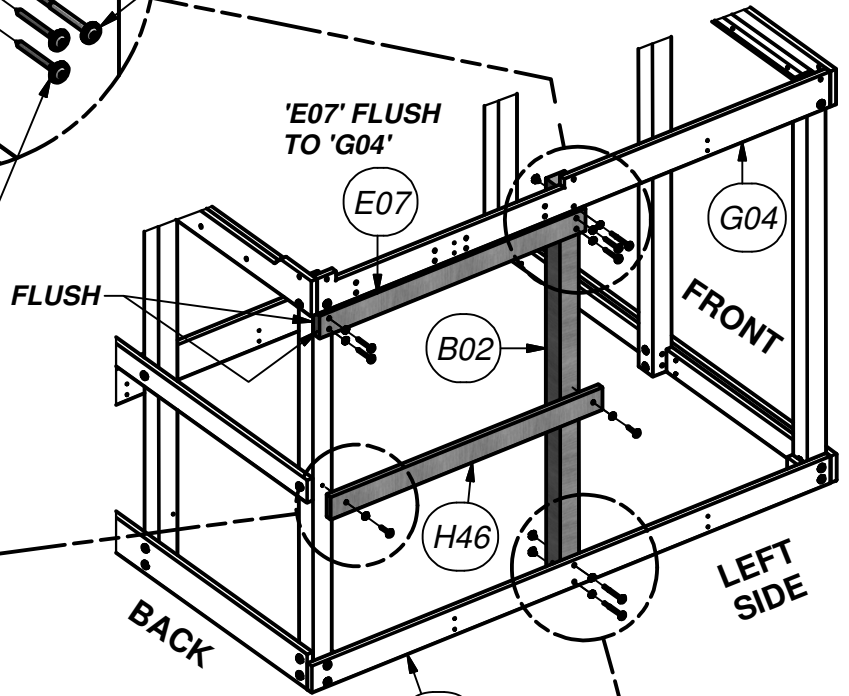
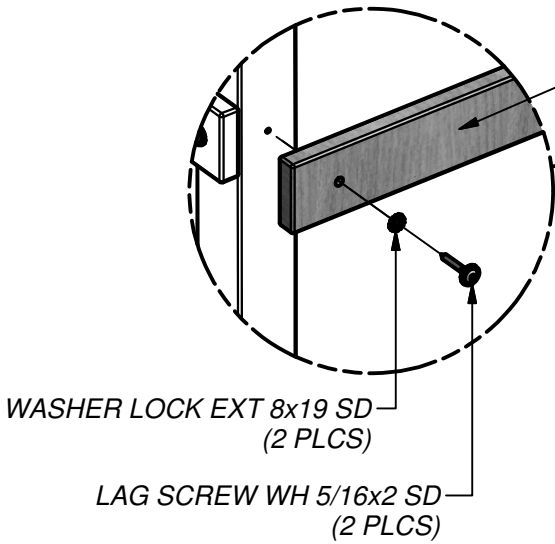
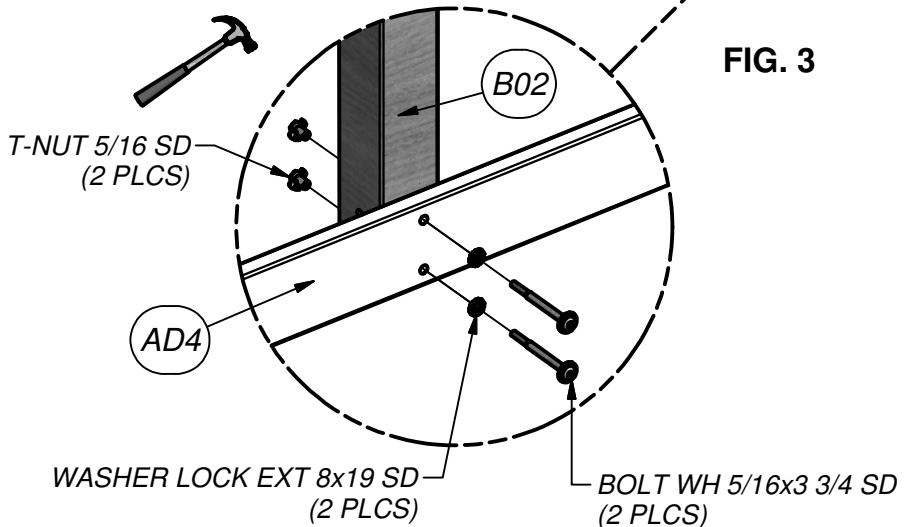
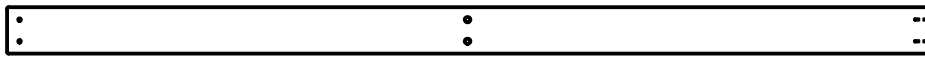


FIG. 3

INTERIOR VIEW
(CENTER UPRIGHT - LEFT SIDE)
LARGE FORT





(1) H02 - JOIST - W4L11261
1"x3 3/8"x67 1/8" (24x86x1706)



(2) H03 - JOIST - W4L11262
1"x3 3/8"x67 1/4" (24x86x1708)



(1) H04 - BLOCK - W4L11263
1"x3 3/8"x3" (24x86x76)

STEP 9

FIG. 1

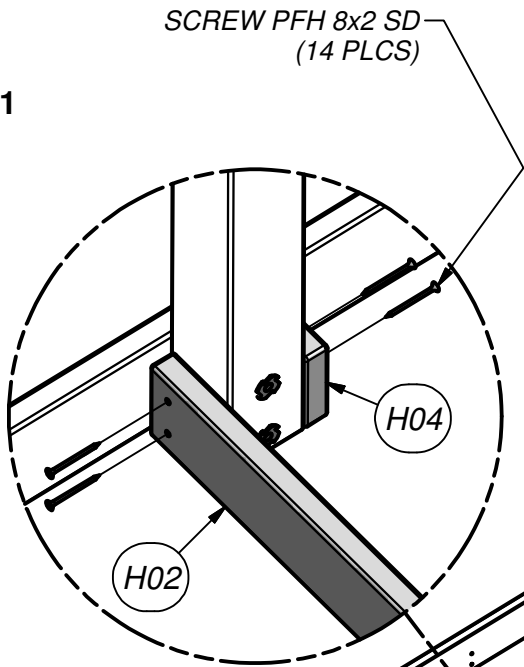
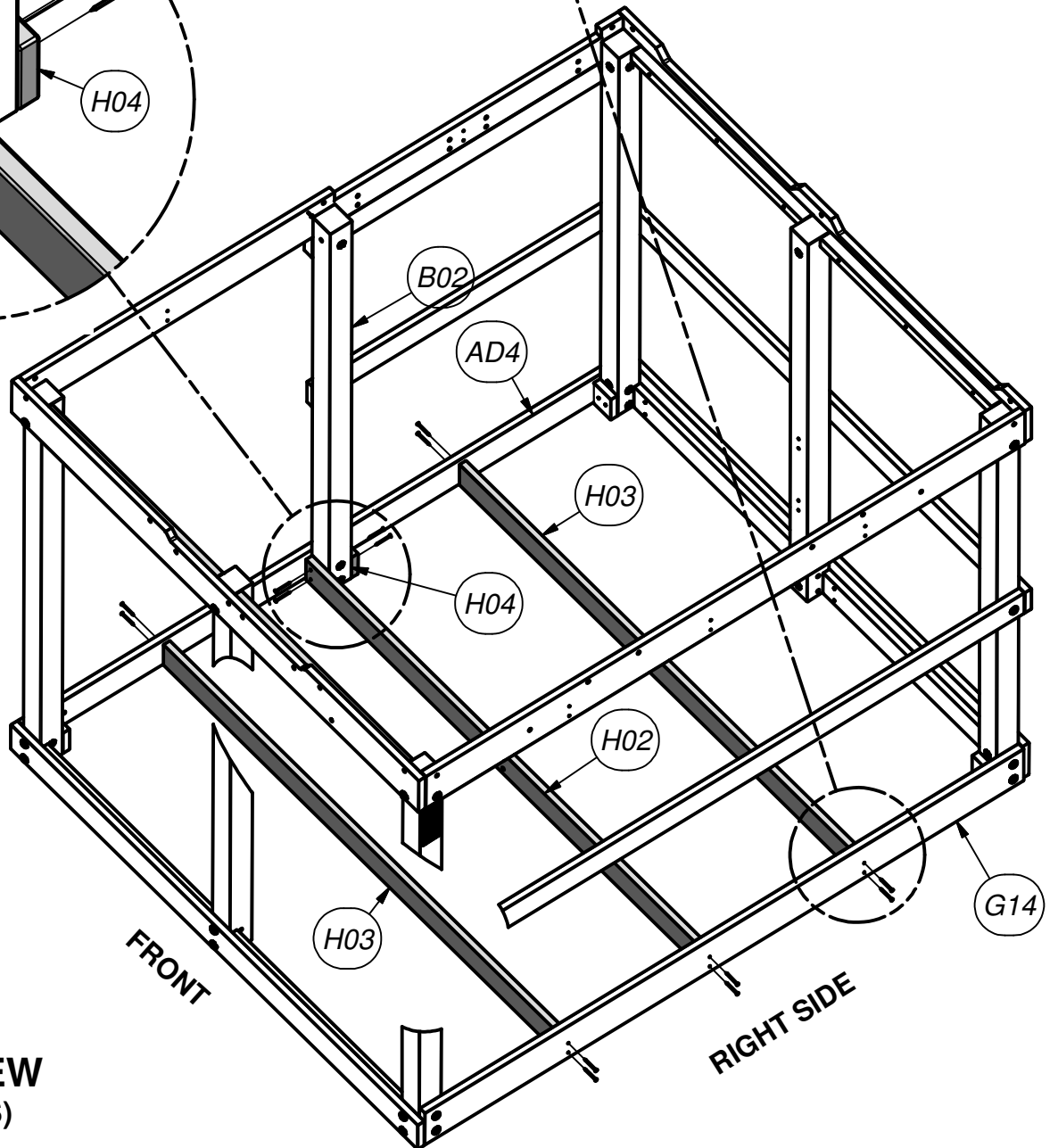
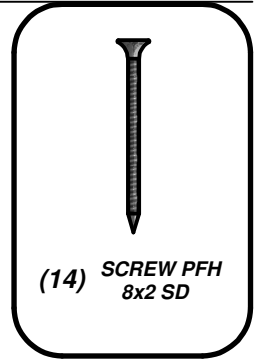
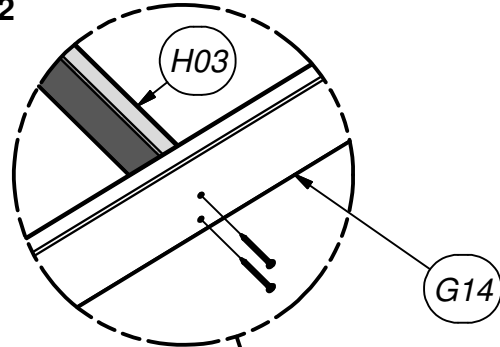


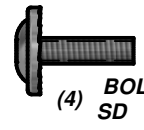
FIG. 2



INTERIOR VIEW
(FLOOR JOISTS)
LARGE FORT



(4) KC - METAL GROUND STAKE BROWN - A100178



(4) BOLT WH 5/16x1 SD

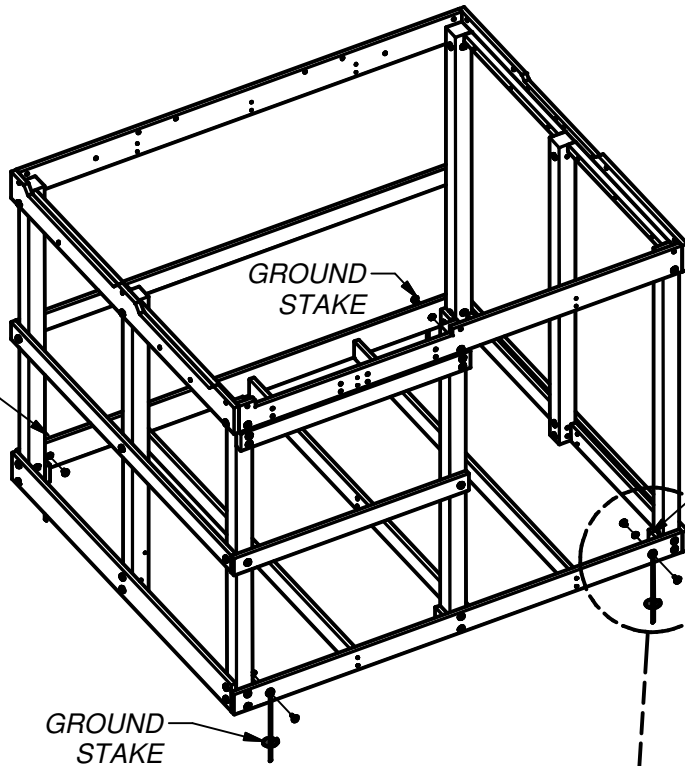


(4) NUT BARREL WH 5/16x5/8 SD



(4) WASHER LOCK EXT 12x19 SD

STEP 10



NOTE:

(1) TWIST STAKES INTO GROUND AGAINST GROUND BOARDS IN LOCATIONS SHOWN.

(2) USING STAKE AS A TEMPLATE, DRILL HOLE THRU GROUND BOARD FOR HARDWARE USING 7/16 DRILL.

GROUND STAKE

GROUND STAKE

GROUND STAKE

NUT BARREL WH 5/16x5/8 SD (4 PLCS)

WASHER LOCK EXT 12x19 SD (4 PLCS)

6 1/2" [164 mm] TYP 4 PLCS

BOLT WH 5/16x1 SD (4 PLCS)

METAL GROUND STAKE BROWN (4 PLCS)

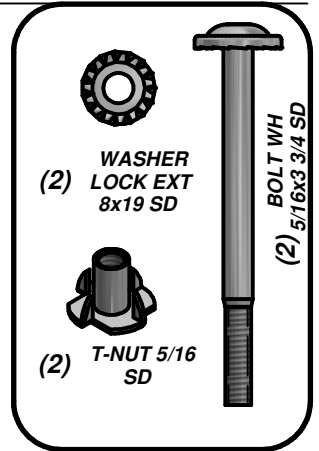
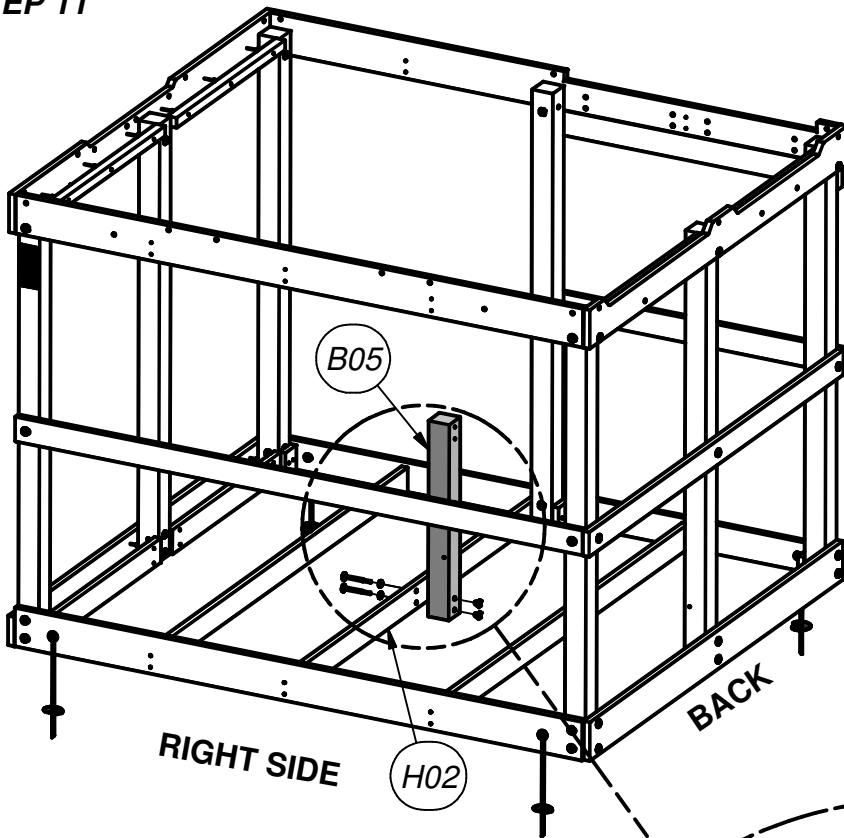
NOTE:
FAILURE TO USE GROUND ANCHORS CAN VOID WARRANTY & CAUSE INJURY!

**EXTERIOR VIEW
(GROUND ANCHORS)
LARGE FORT**

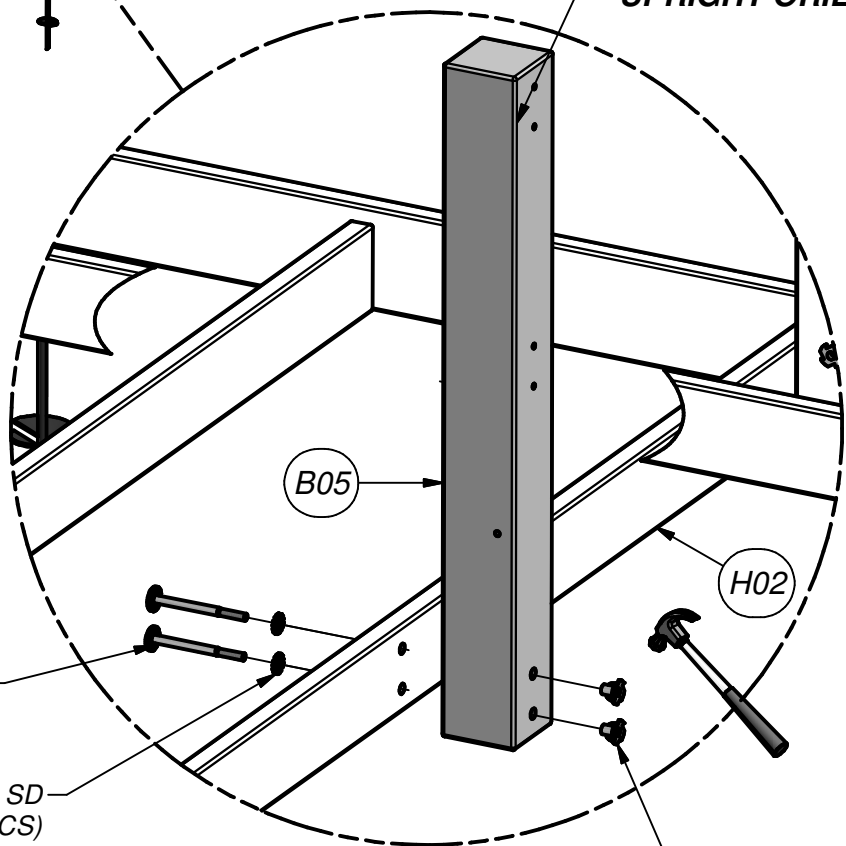


(1) **B05 - UPRIGHT - W4L11254**
3"x3"x26 1/2" (76x76x672)

STEP 11



NOTE:
UPRIGHT ORIENTATION



INTERIOR VIEW
(PICNIC UPRIGHT)
LARGE FORT



(1) **M03 - FLOOR BOARD - W4L11266**
5/8"x3"x35 5/8" (16x76x904)

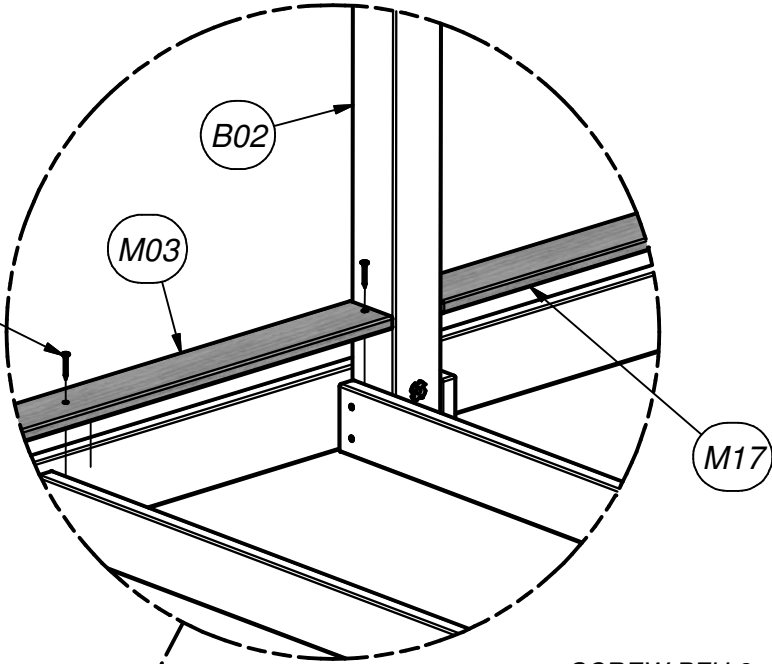
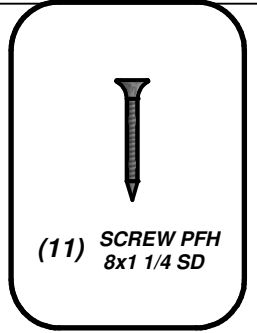


(1) **M17 - FLOOR BOARD - W4L11265**
5/8"x3"x35 5/8" (16x76x904)



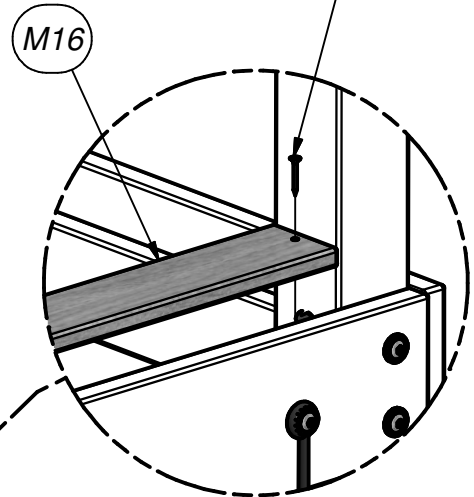
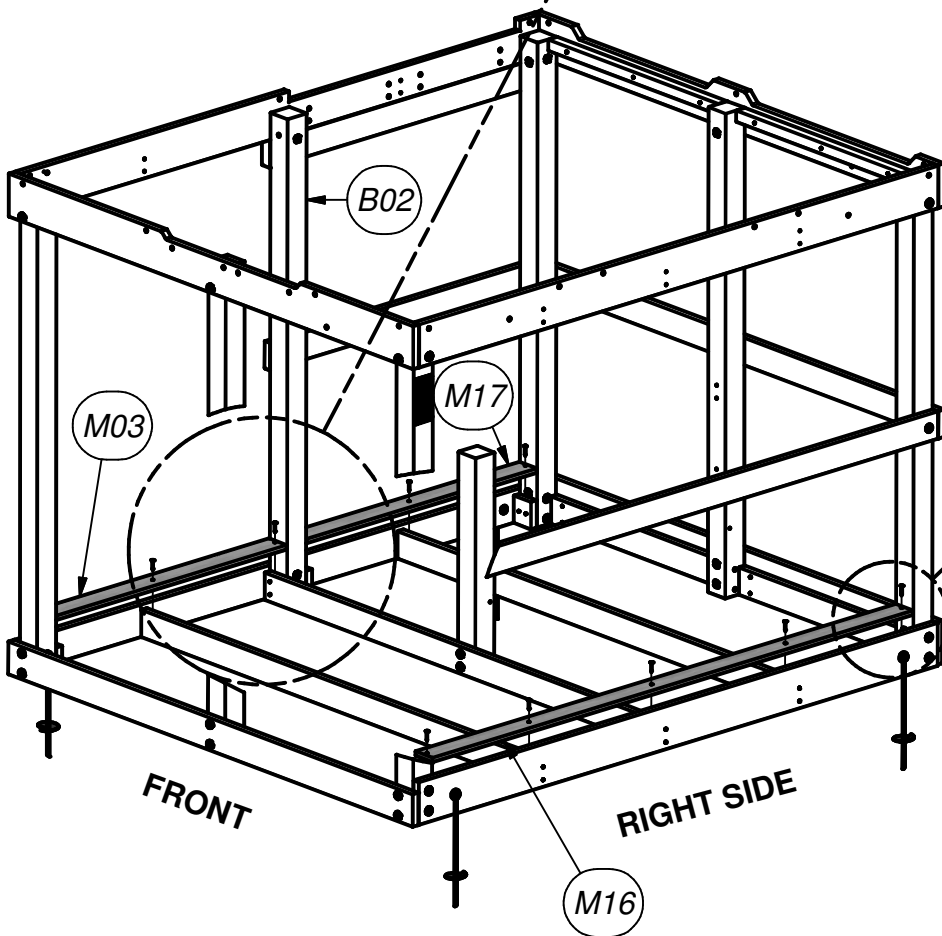
(1) **M16 - FLOOR BOARD - W4L11264**
5/8"x3"x74 1/4" (16x76x1886)

STEP 12

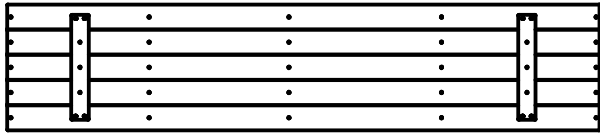


SCREW PFH 8x1 1/4 SD
(6 PLCS)

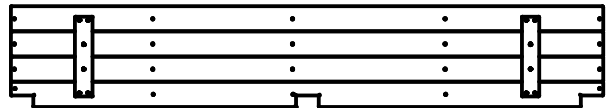
SCREW PFH 8x1 1/4 SD
(5 PLCS)



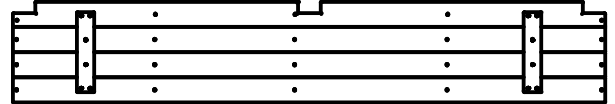
INTERIOR VIEW
(OUTER FLOOR BOARDS)
LARGE FORT



(2) FP1 - FLOOR PANEL - W2A02190
1 1/4"x17"x80 1/4" (32x432x2038)

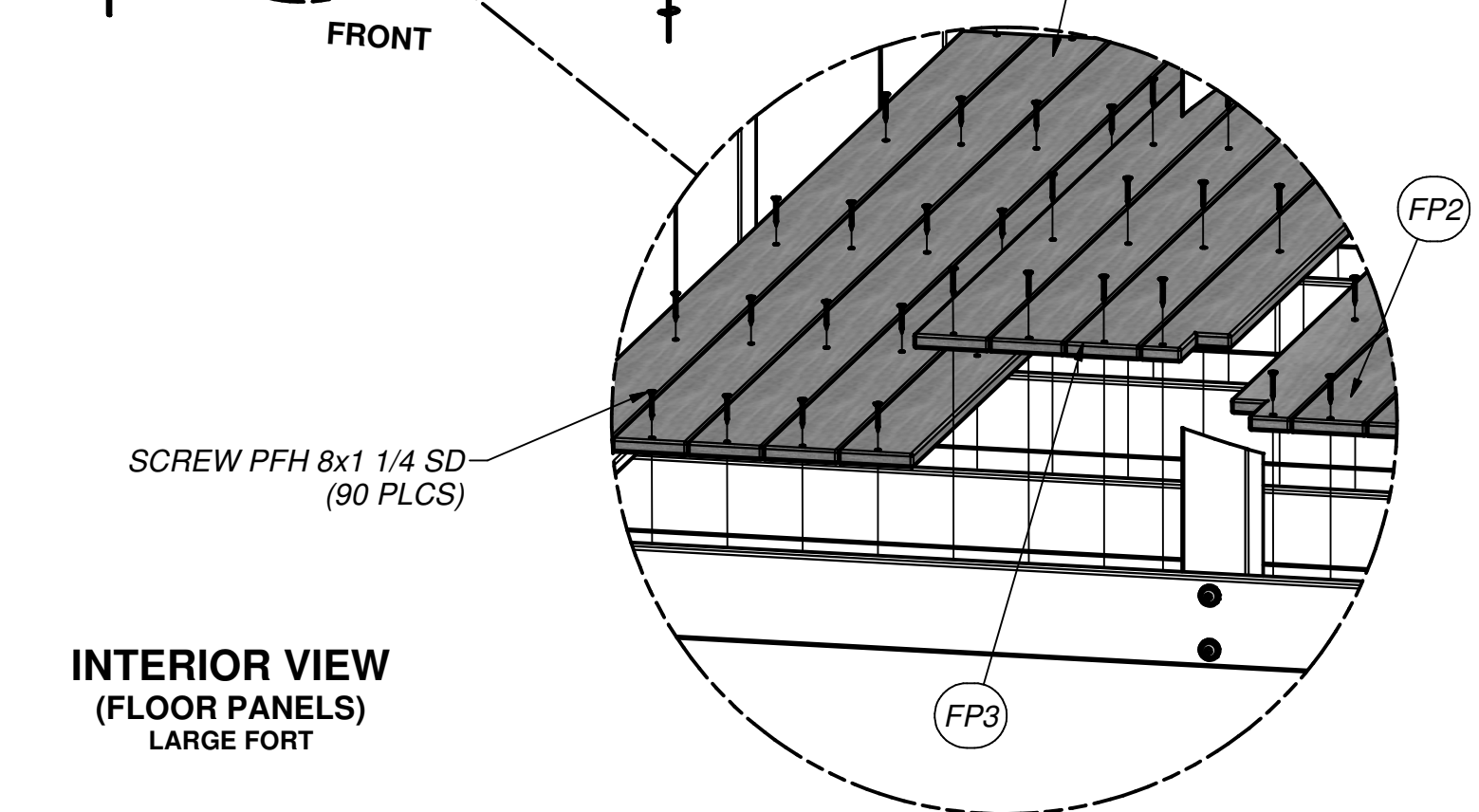
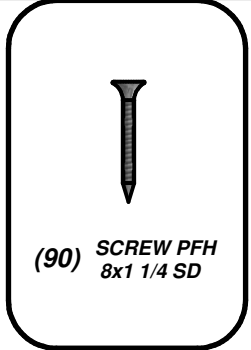
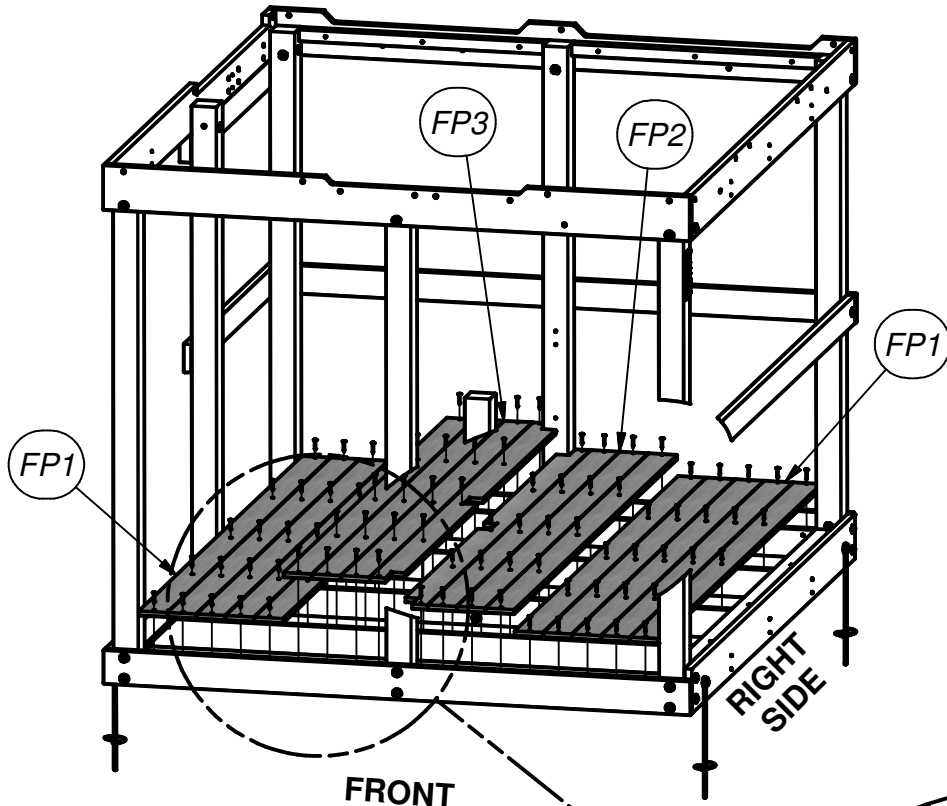


(1) FP2 - FLOOR PANEL - W2A02191
1 1/4"x10 1/4"x80 1/4" (32x346x2038)



(1) FP3 - FLOOR PANEL - W2A02192
1 1/4"x13 5/8"x80 1/4" (32x346x2038)

STEP 13



**INTERIOR VIEW
(FLOOR PANELS)
LARGE FORT**

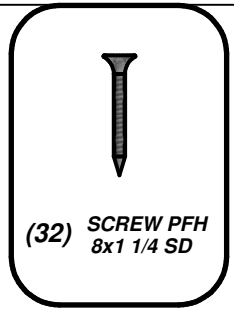
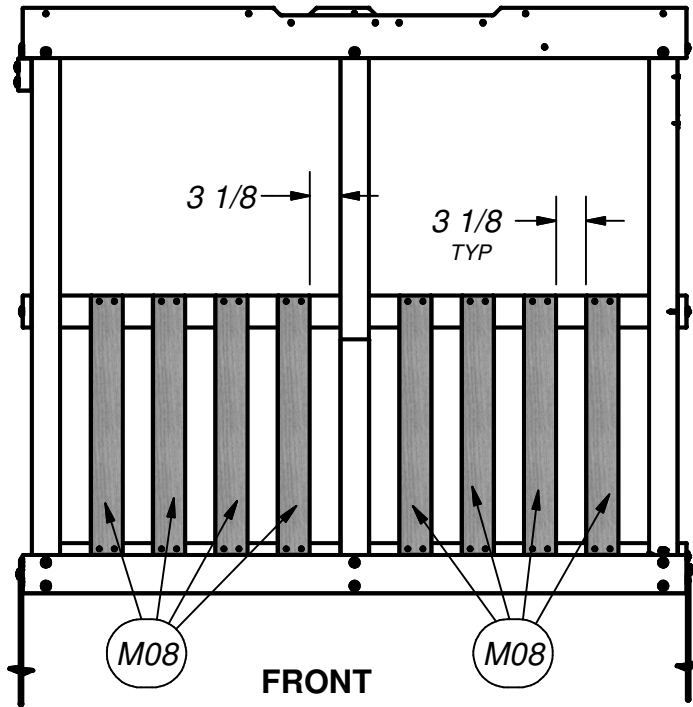


(8) M08 - PICKET - W4L11269
5/8"x3 3/8"x27" (16x86x686)

STEP 14

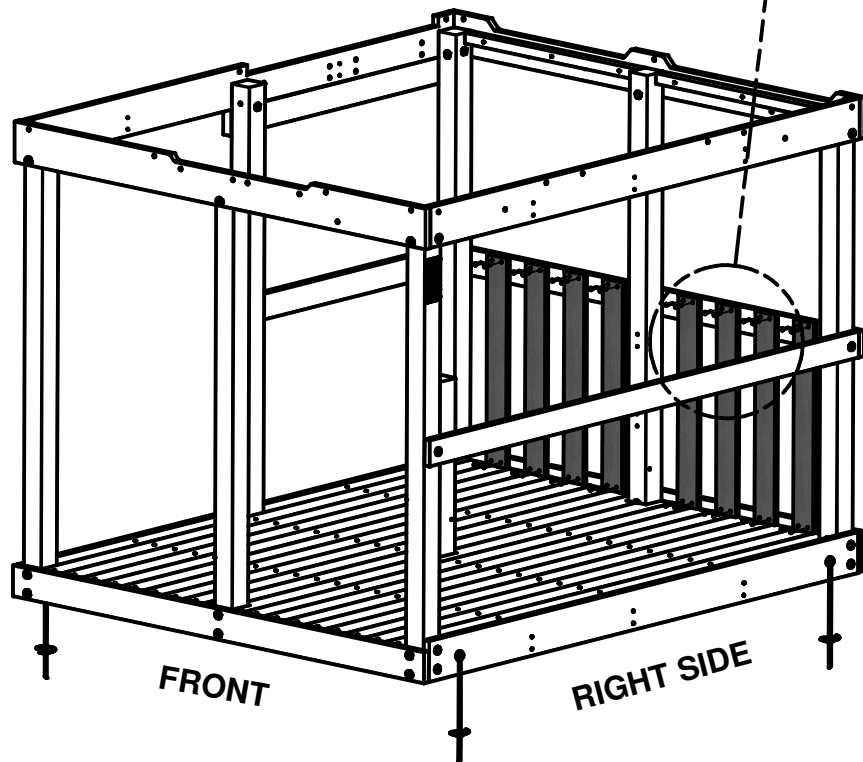
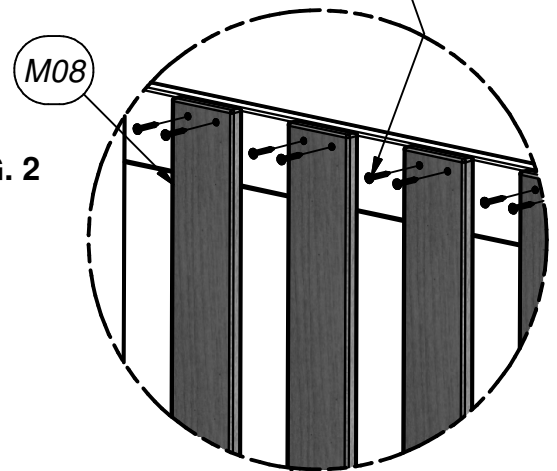
PICKET DIAGRAM

FIG. 1



SCREW PFH 8x1 1/4 SD
(32 PLCS)

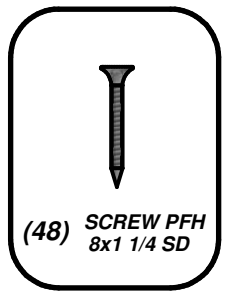
FIG. 2



INTERIOR VIEW
(BACK WALL)
LARGE FORT



(12) M08 - PICKET - W4L11269
5/8"x3 3/8"x27" (16x86x686)

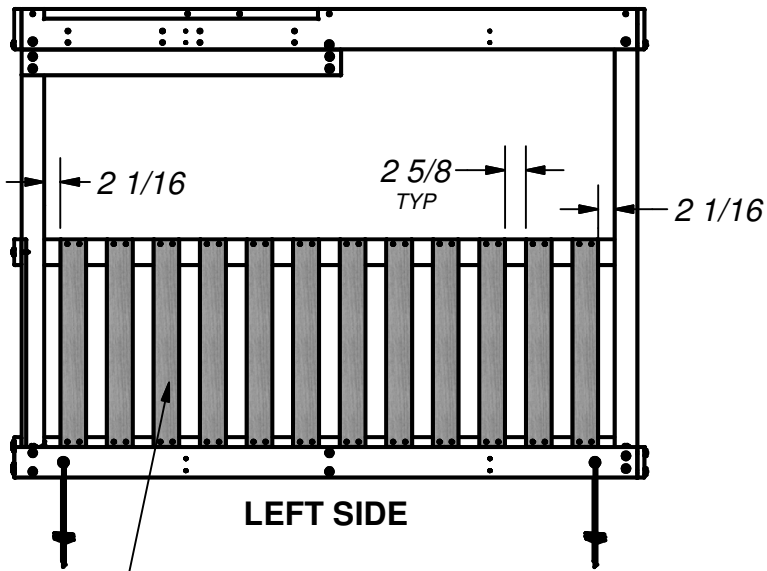


(48) SCREW PFH
8x1 1/4 SD

STEP 15

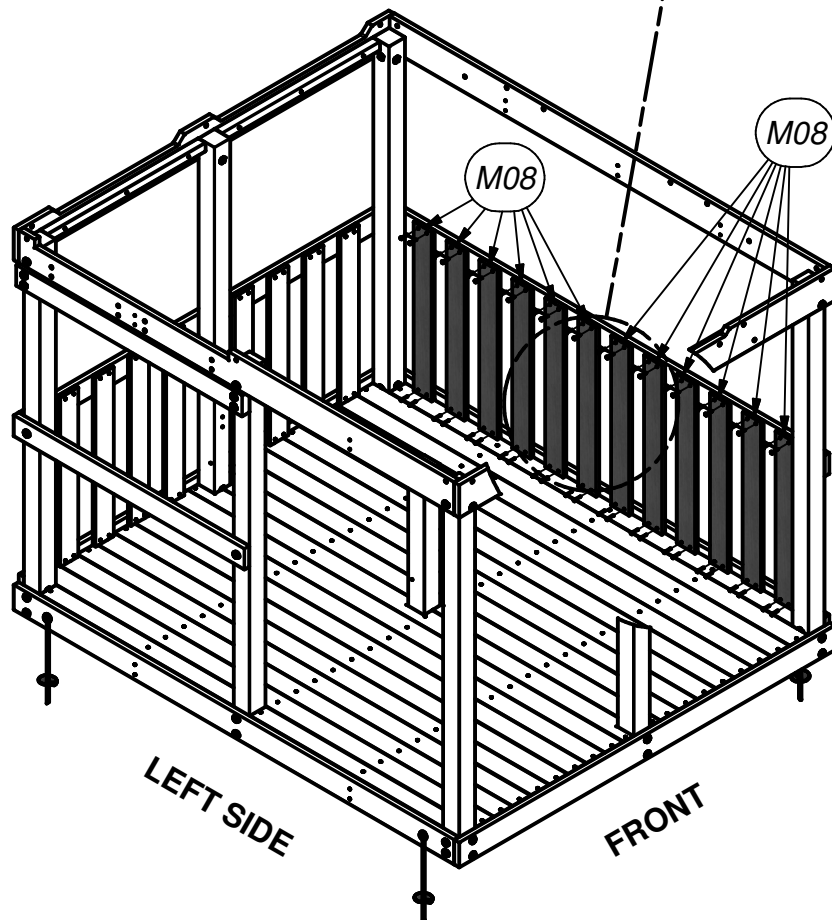
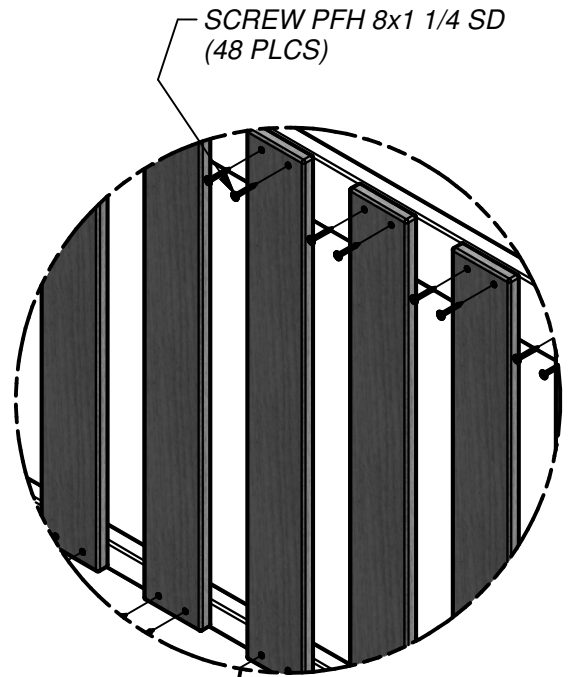
FIG. 1

PICKET DIAGRAM

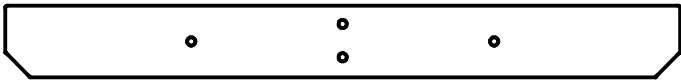


M08 (12 PLCS)

FIG. 2



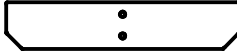
INTERIOR VIEW
(RIGHT WALL)
LARGE FORT



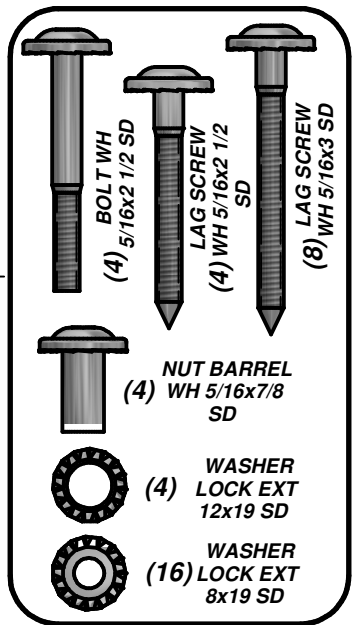
(2) E09 - BENCH SUPPORT - W4L11281
1 3/8"x3 3/8"x32" (36x86x812)



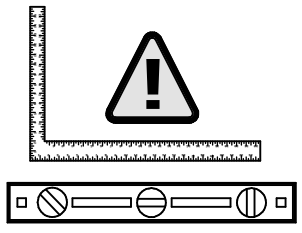
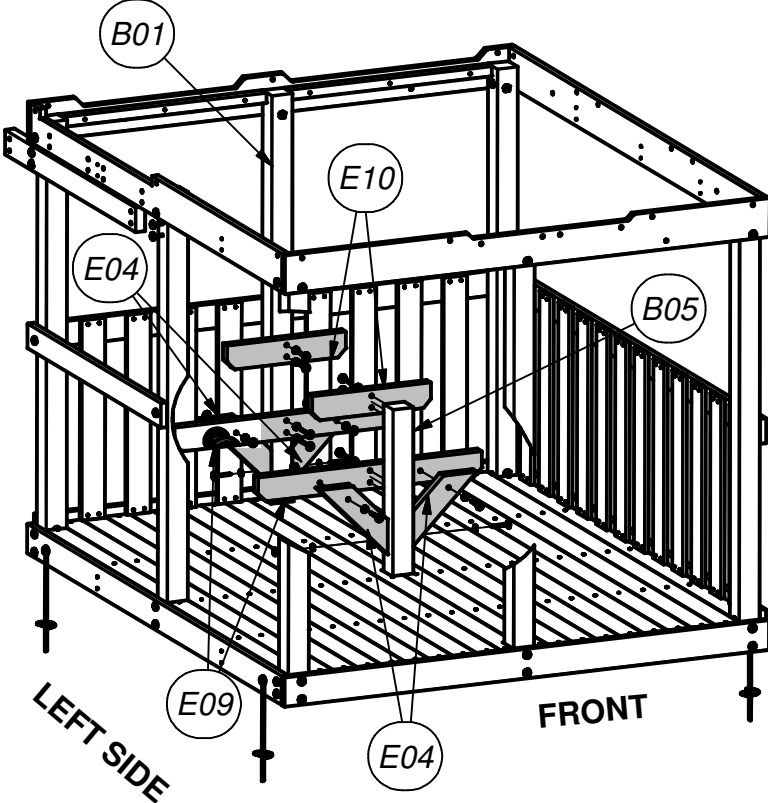
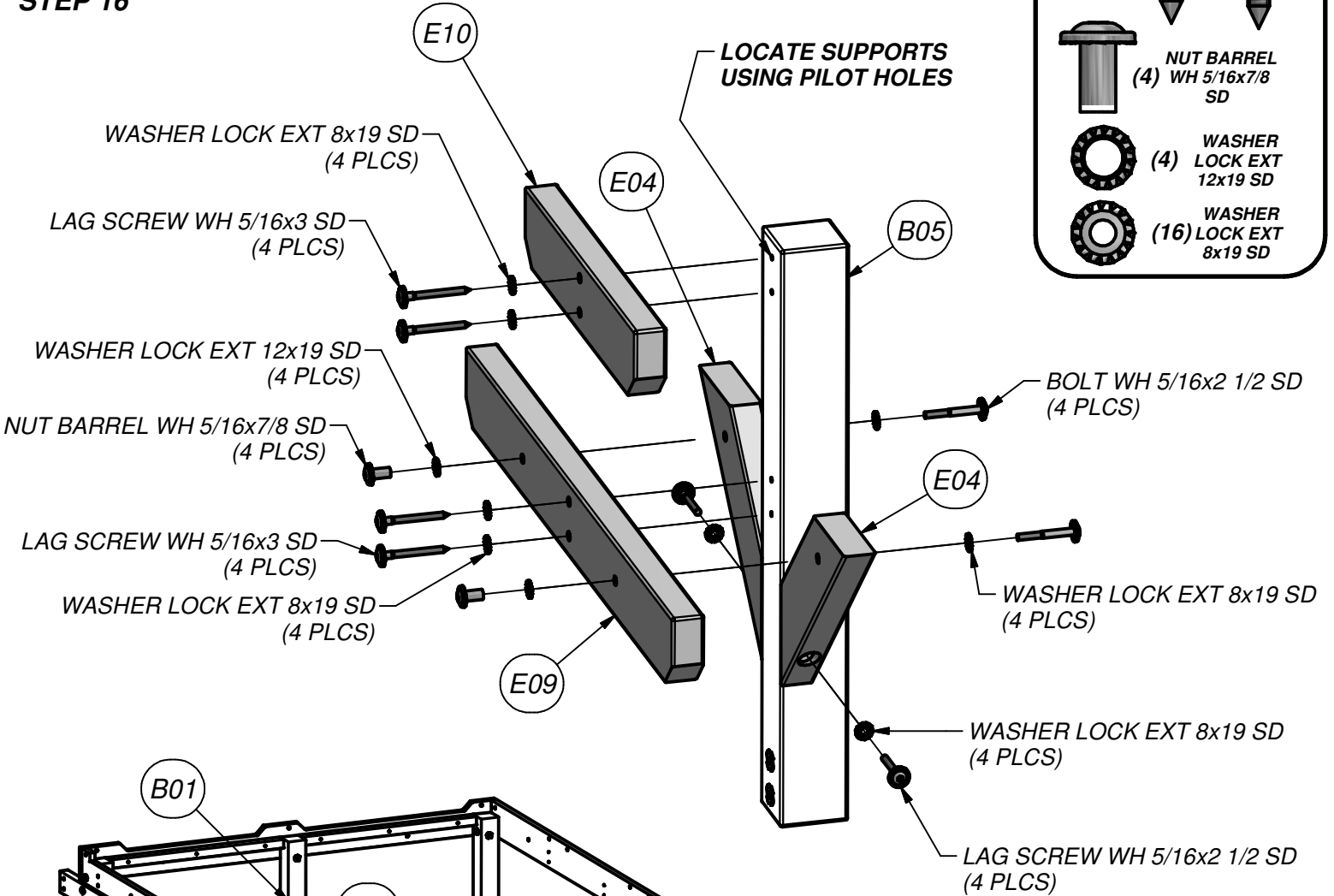
(4) E04 - GUSSET - W4L11280
1 3/8"x3 3/8"x13 3/4" (36x86x350)



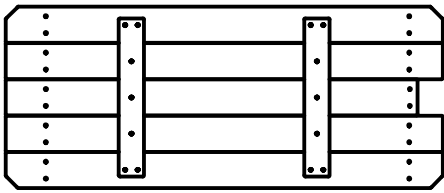
(2) E10 - TABLE SUPPORT - W4L11282
1 3/8"x3 3/8"x17" (36x86x432)



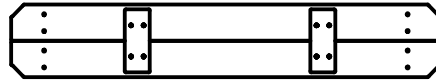
STEP 16



INTERIOR VIEW
(PICNIC TABLE & BENCHES SUPPORTS)
LARGE FORT



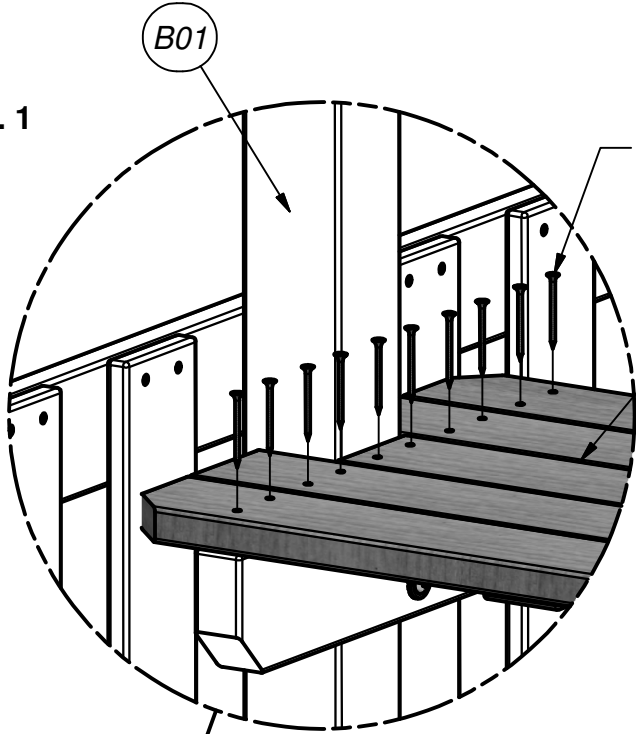
(1) PP1 - PICNIC BENCH - W2A02509
1 5/8"x6 3/4"x40 1/4" (40x432x1042)



(2) PP2 - PICNIC BENCH - W2A02504
1 5/8"x6 3/4"x40 1/4" (40x173x1022)

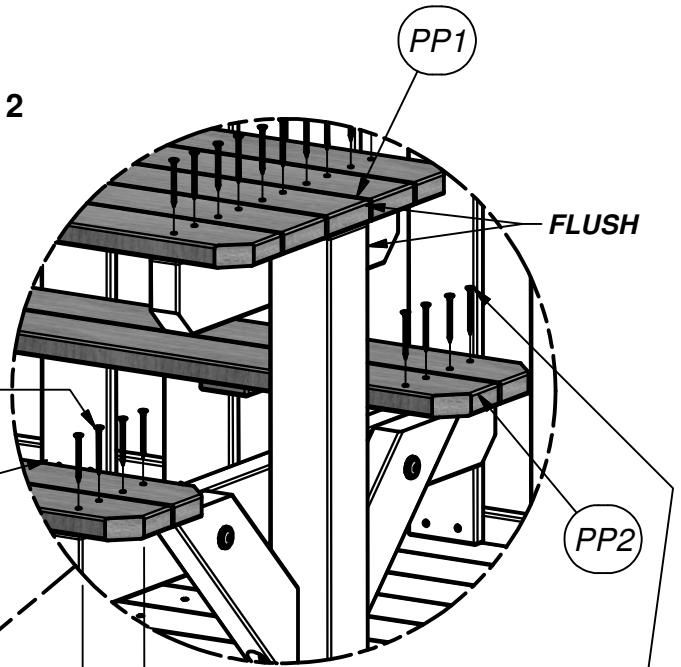
STEP 17

FIG. 1



SCREW PFH 8x2 SD
(20 PLCS)

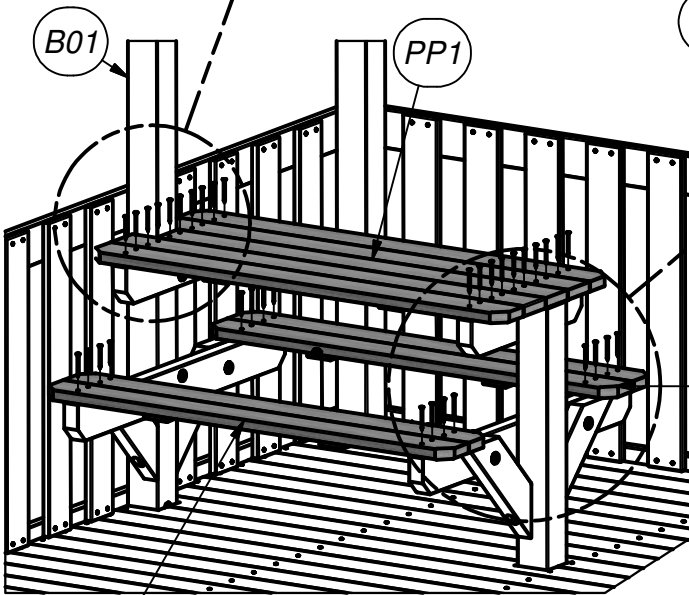
FIG. 2



FLUSH

SCREW PFH 8x2 SD
(8 PLCS)

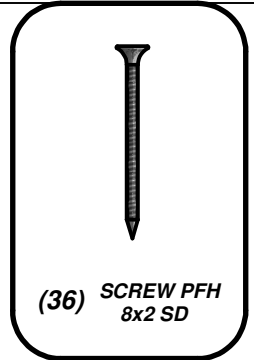
SCREW PFH 8x2 SD
(8 PLCS)



LEFT SIDE

FRONT

**INTERIOR VIEW
(PICNIC TABLE & BENCHES)
LARGE FORT**



(36) SCREW PFH
8x2 SD





(2) H03 - JOIST - W4L11262
1"x3 3/8"x67 1/4" (24x86x1708)



(1) H15 - JOIST - W4L11277
1"x3 3/8"x67 1/8" (24x86x1706)

STEP 18

NOTE:
FLUSH BOTTOM OF ALL 'H' JOISTS
TO BOTTOM OF BOTH 'G' RAILS

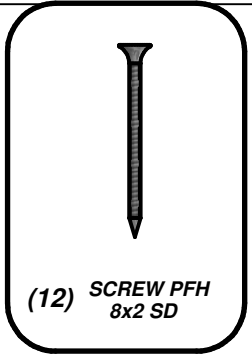


FIG. 1

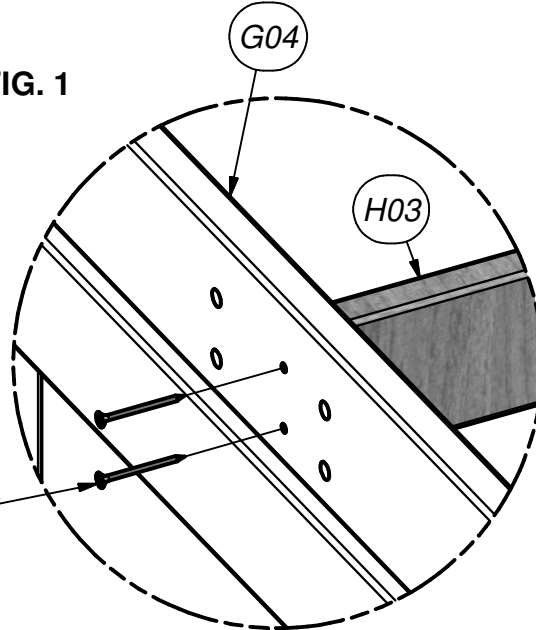
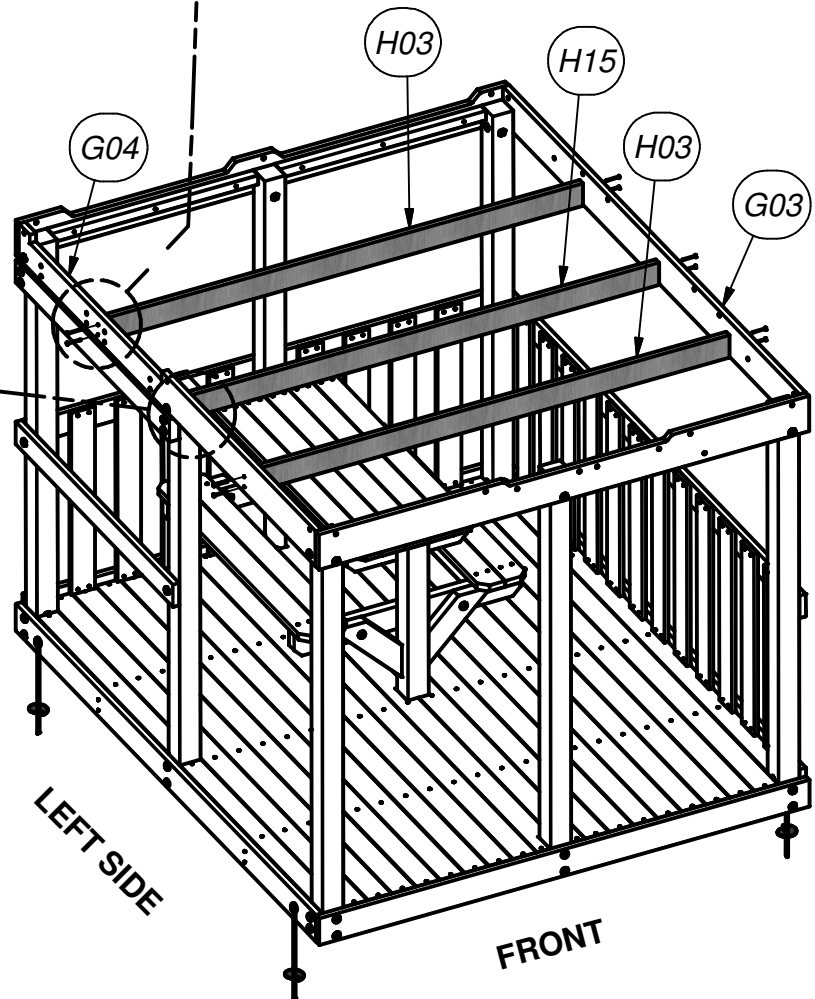
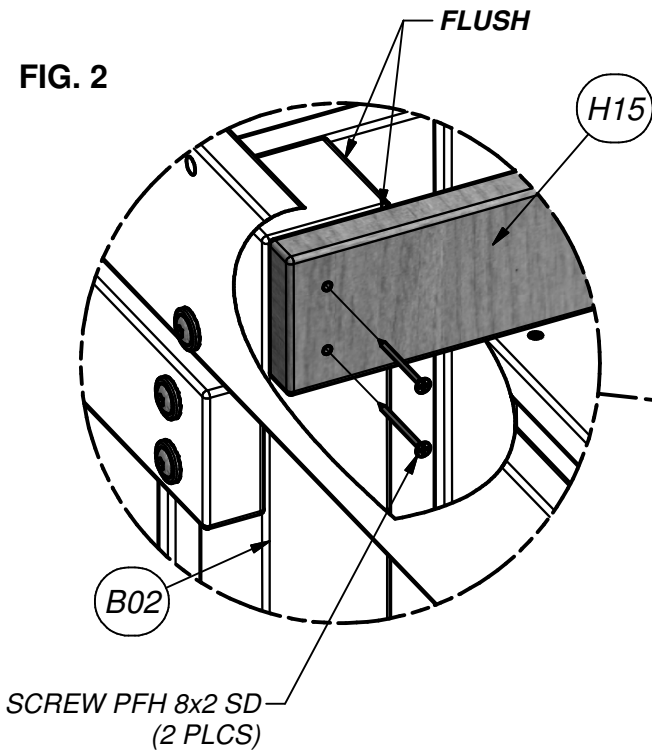
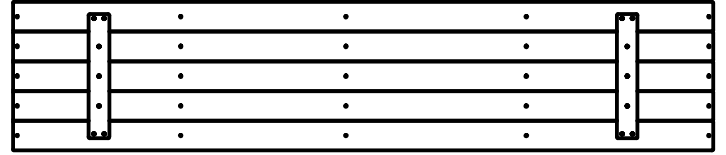
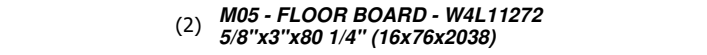
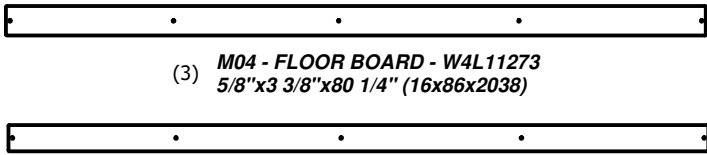


FIG. 2

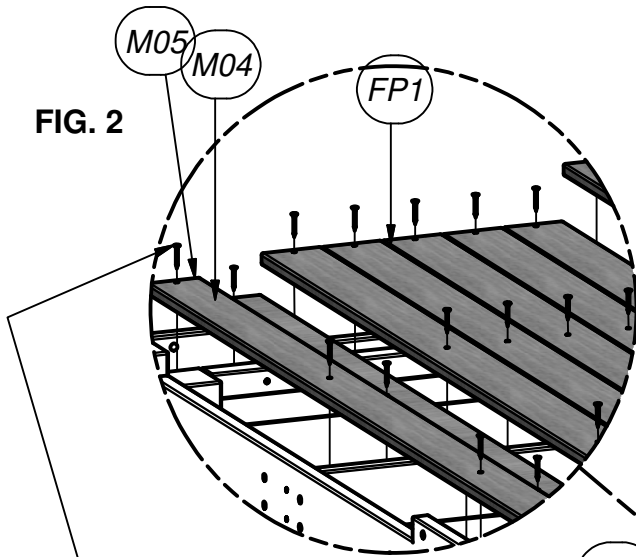
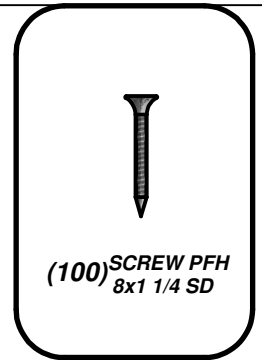
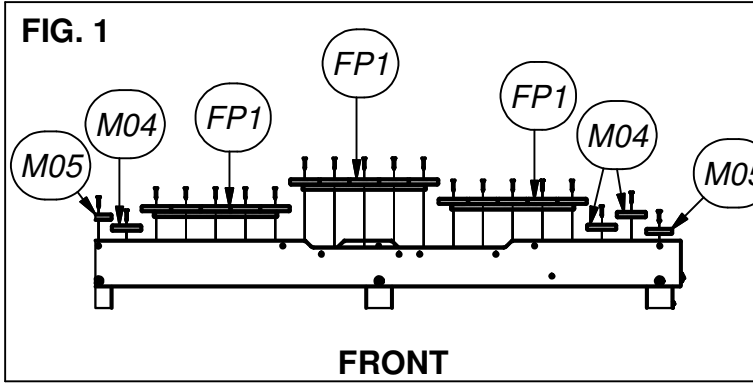


INTERIOR VIEW
(OVERHEAD - DECK FLOOR JOISTS)
LARGE FORT

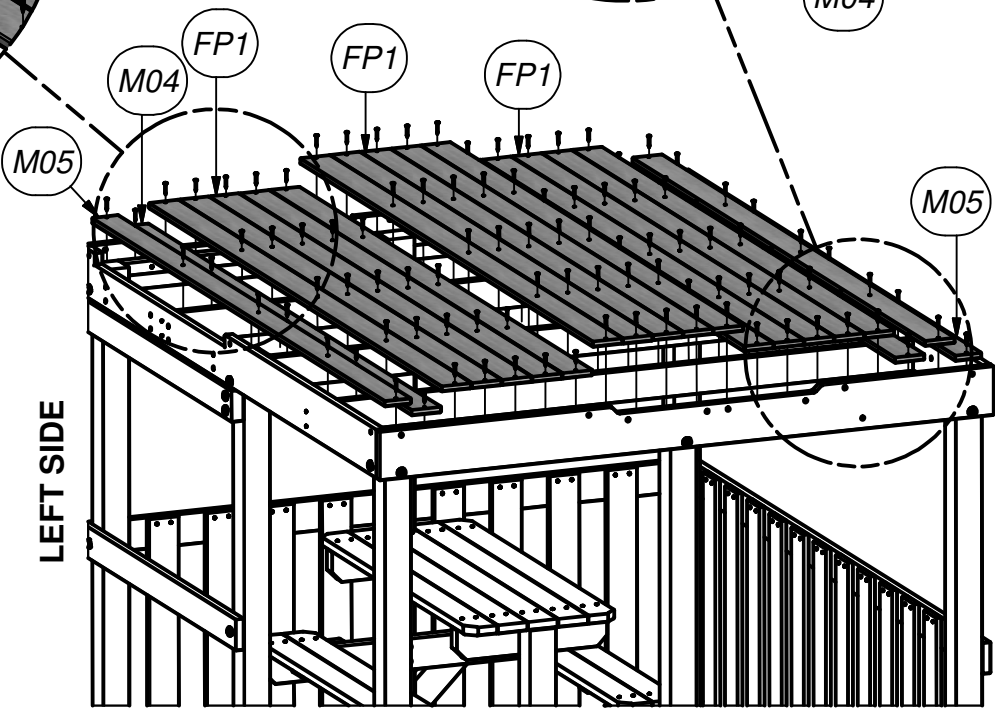
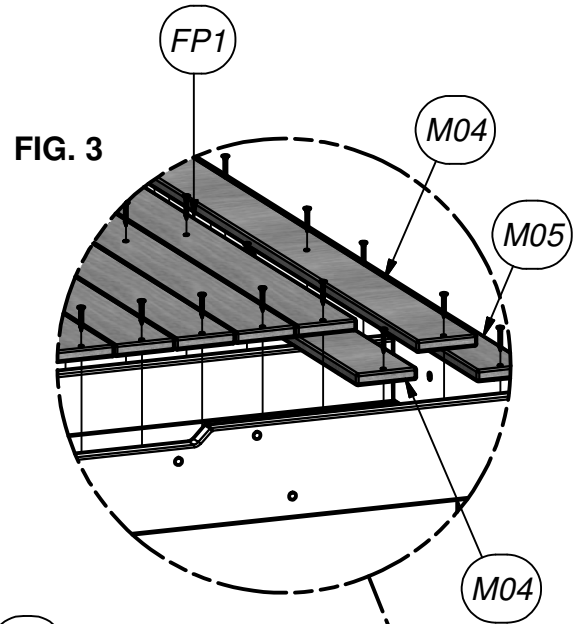


STEP 19

DECK FLOOR LAYOUT



SCREW PFH 8x1 1/4 SD
(100 PLCS)



LEFT SIDE

**INTERIOR VIEW
(OVERHEAD - DECK)
LARGE FORT**

FRONT



(4) E01 - GUSSET - W4L11279
1 3/8"x3 3/8"x20" (36x86x508)

STEP 20

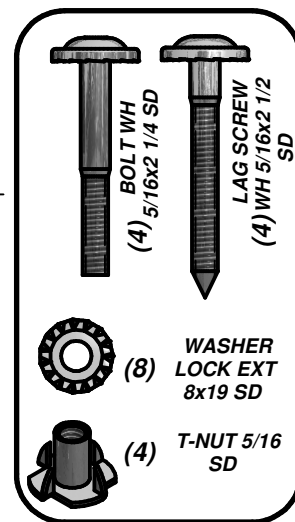


FIG. 1

BACK RIGHT CORNER

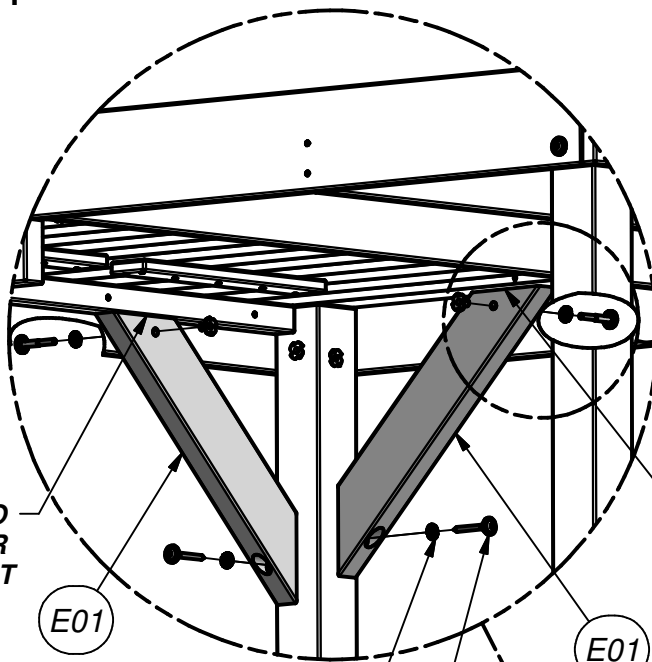
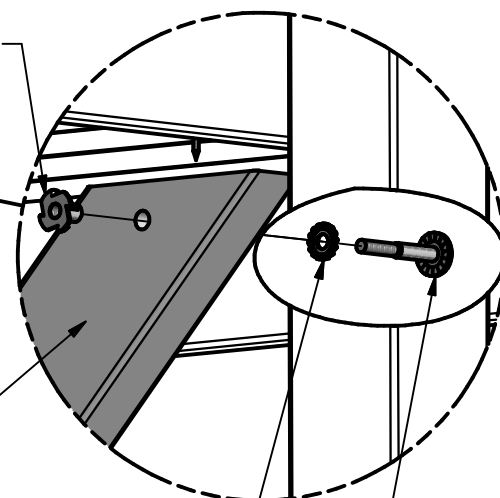


FIG. 2

T-NUT 5/16 SD
(4 PLCS)

FLUSH TO FLOOR



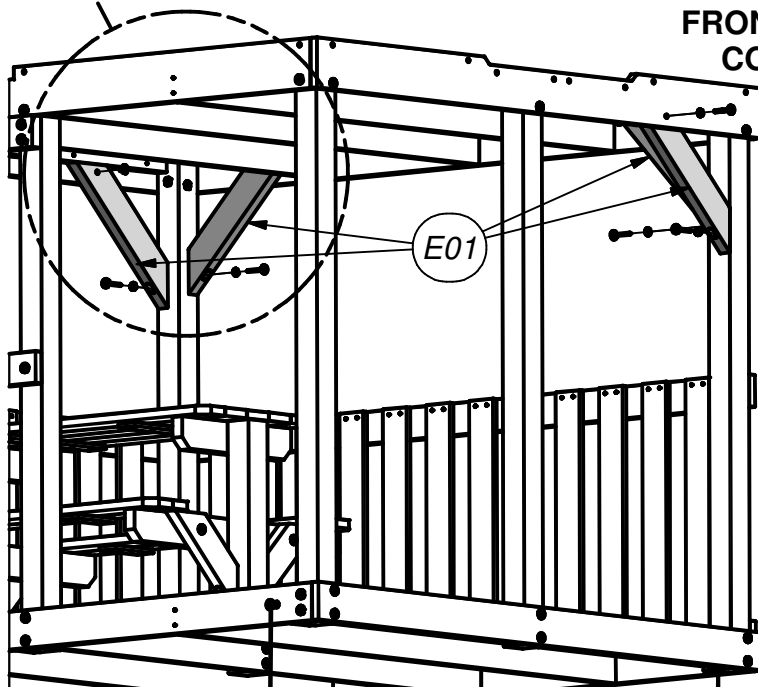
WASHER LOCK EXT 8x19 SD
(4 PLCS)

LAG SCREW WH 5/16x2 1/2 SD
(4 PLCS)

WASHER LOCK EXT 8x19 SD
(4 PLCS)

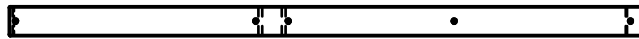
BOLT WH 5/16x2 1/4 SD
(4 PLCS)

FRONT RIGHT CORNER



LEFT SIDE

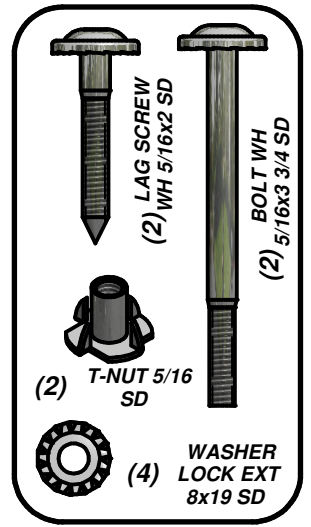
INTERIOR VIEW
(GUSSETS - RIGHT SIDE)
LARGE FORT



(1) B09 - UPRIGHT - W4L08763
3"x3"x66" (76x76x1676)

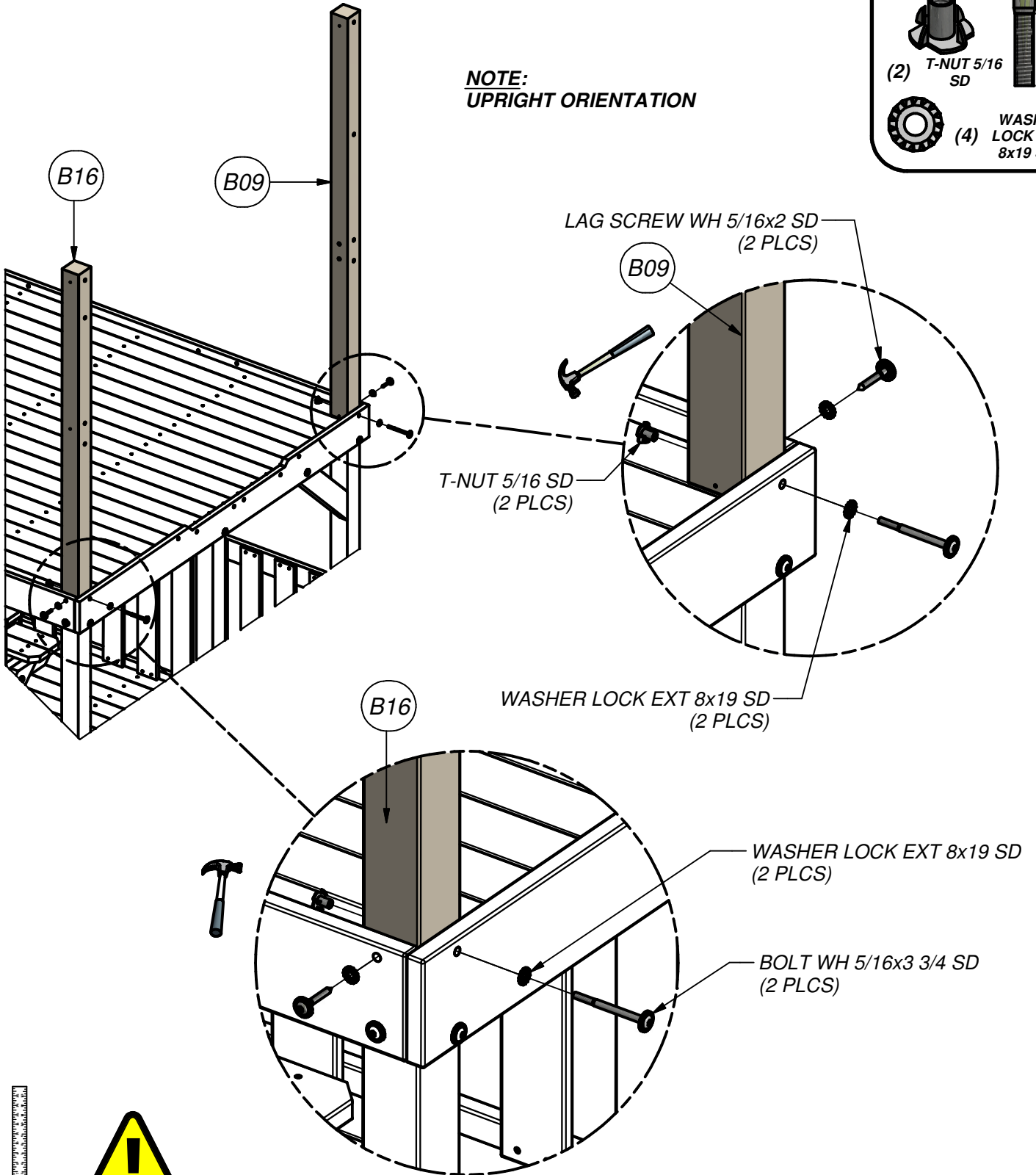


(1) B16 - UPRIGHT - W4L11408
3"x3"x54" (76x76x1372)

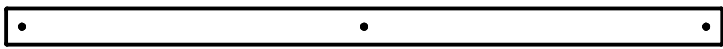


STEP 21

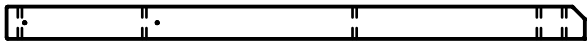
NOTE:
UPRIGHT ORIENTATION



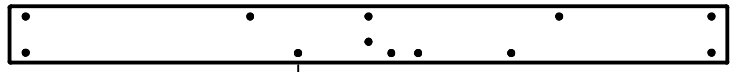
EXTERIOR VIEW
(FRONT UPPER UPRIGHTS)
LARGE FORT



(1) H07 - WALL RAIL - W4L11287
1"x3 3/8"x67 1/8" (24x86x1706)



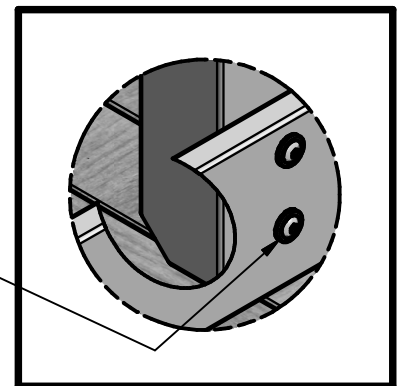
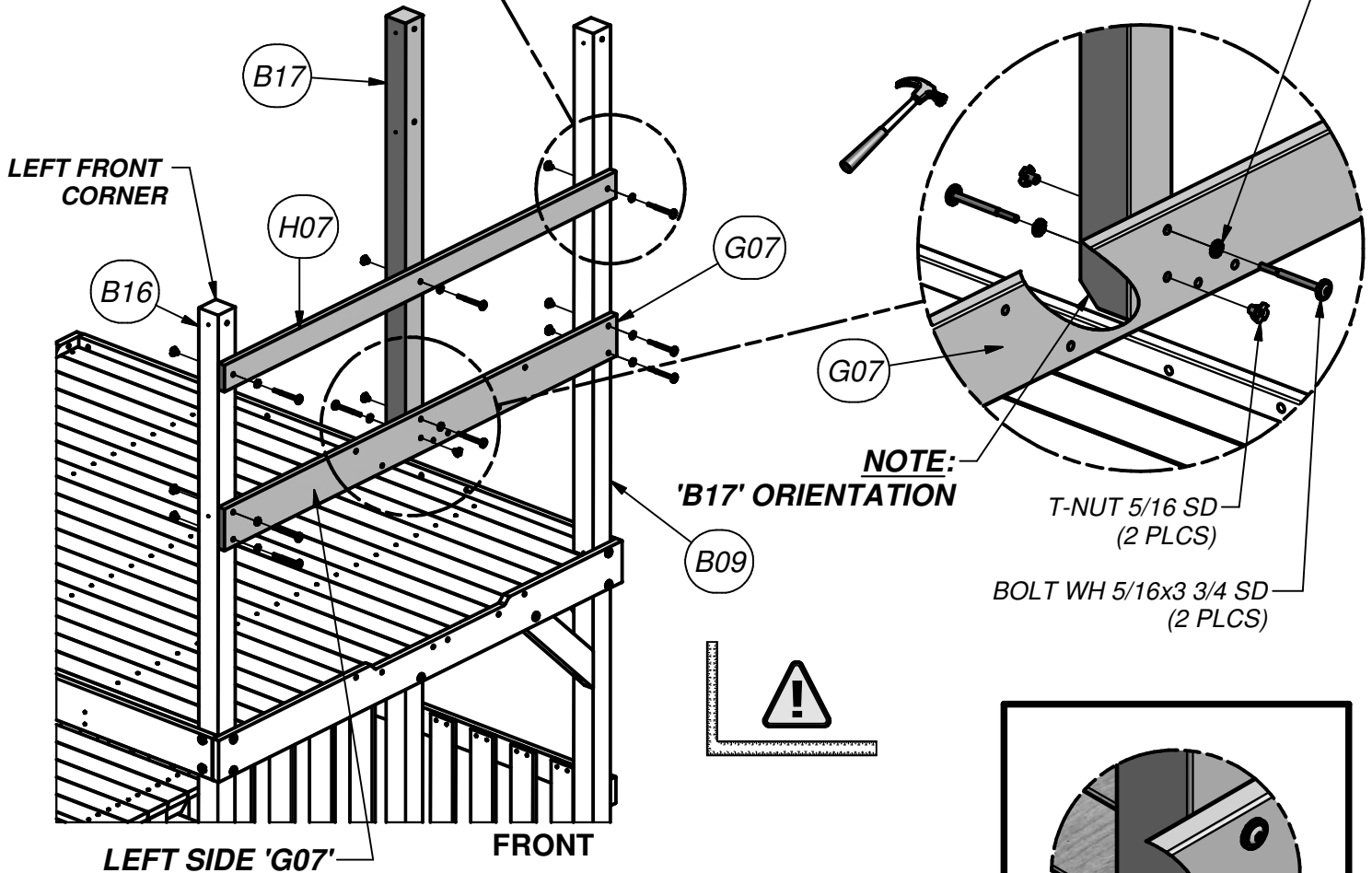
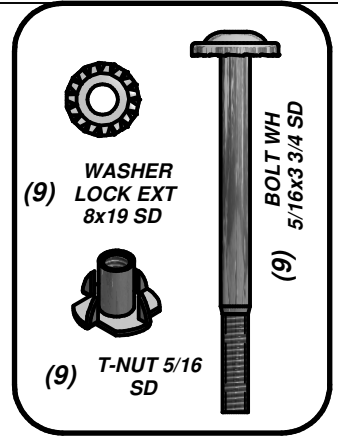
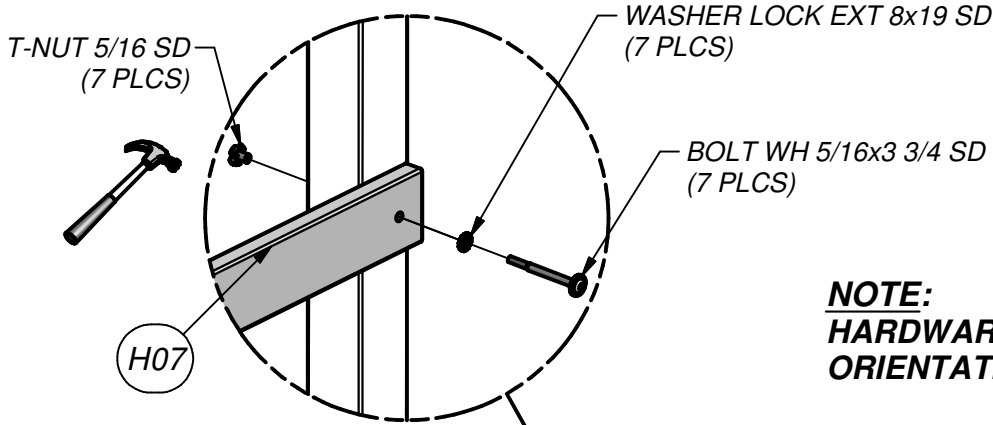
(1) B17 - UPRIGHT - W4L11409
3"x3"x54 1/4" (76x76x1378)



(1) G07 - RAIL - W4L11288
1"x5 1/4"x67 3/8" (24x134x1710)

27 1/16"
LEFT SIDE

STEP 22



**EXTERIOR VIEW
(FRONT UPPER RAILS)
LARGE FORT**

**ROYAL RETREAT
BOLT ORIENTATION**

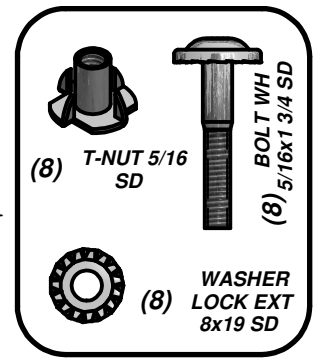


(2) G05 - WALL BOARD - W4L08772
1"x5 1/4"x30" (24x134x762)



(2) G06 - WALL BOARD - W4L08773
1"x5 1/4"x23 1/2" (24x134x596)

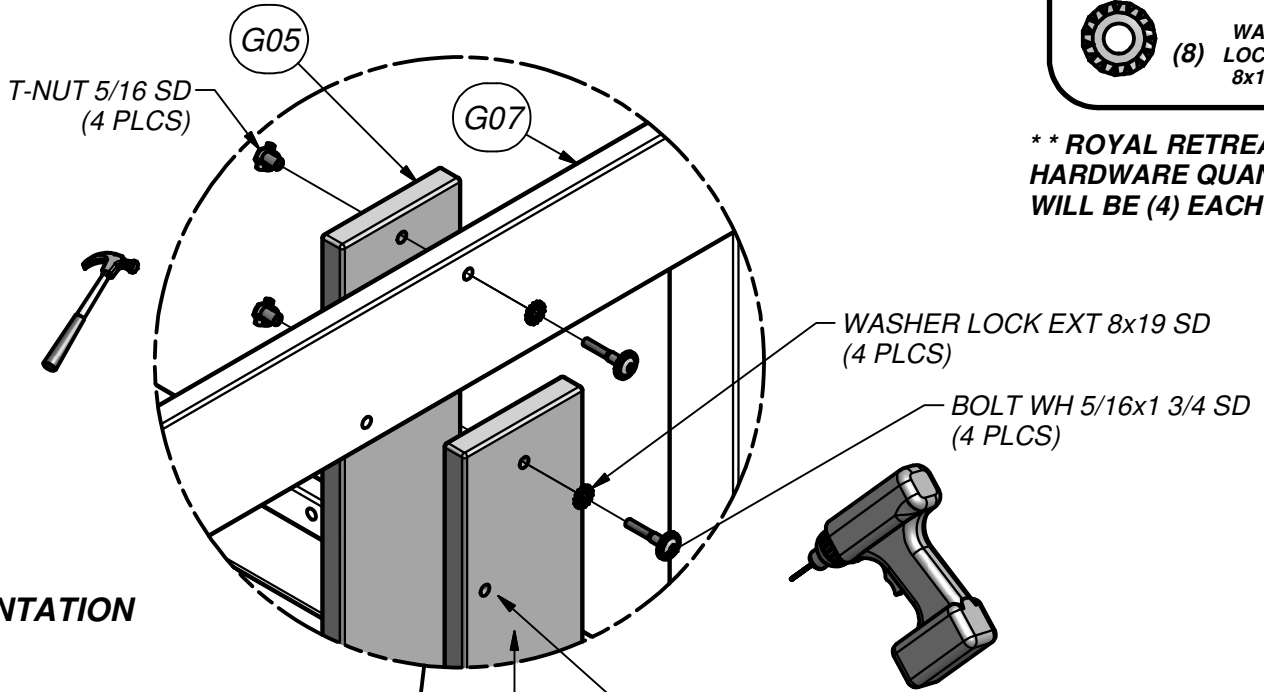
'G06' USED ONLY ON SKYLINE RETREAT



**** ROYAL RETREAT ****
HARDWARE QUANTITIES
WILL BE (4) EACH

STEP 23

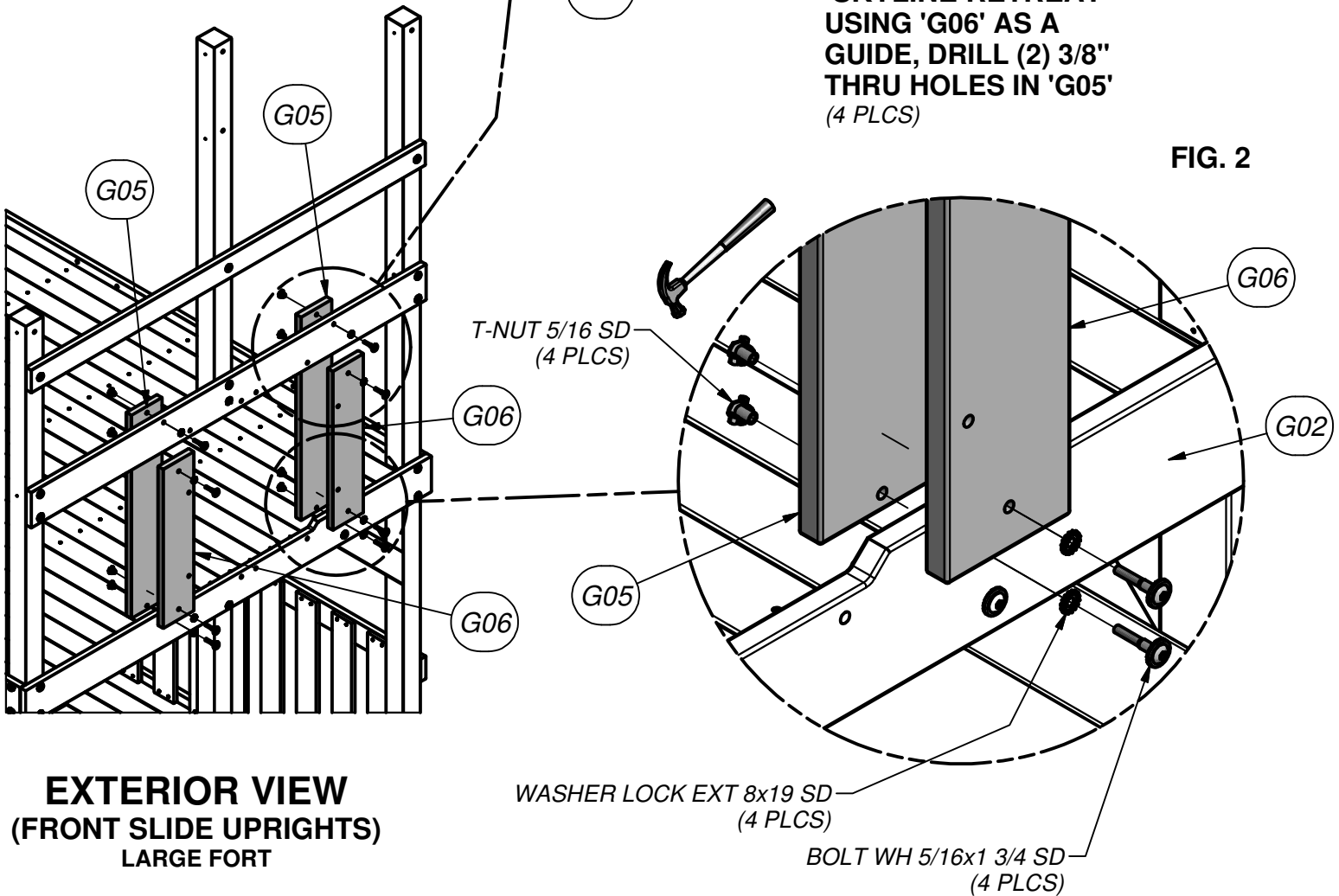
FIG. 1



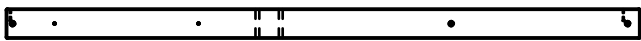
NOTE:
'G6' ORIENTATION

**** SKYLINE RETREAT ****
USING 'G06' AS A
GUIDE, DRILL (2) 3/8"
THRU HOLES IN 'G05'
(4 PLCS)

FIG. 2



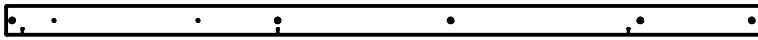
EXTERIOR VIEW
(FRONT SLIDE UPRIGHTS)
LARGE FORT



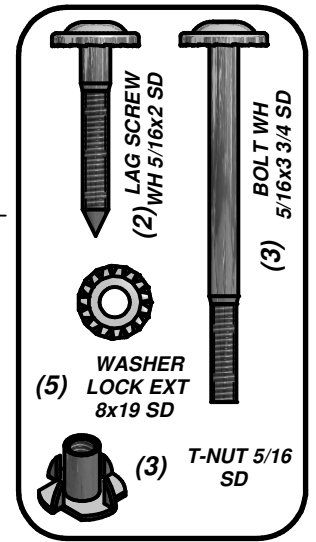
(1) B18 - UPRIGHT - W4L11285
3"x3"x66" (76x76x1676)



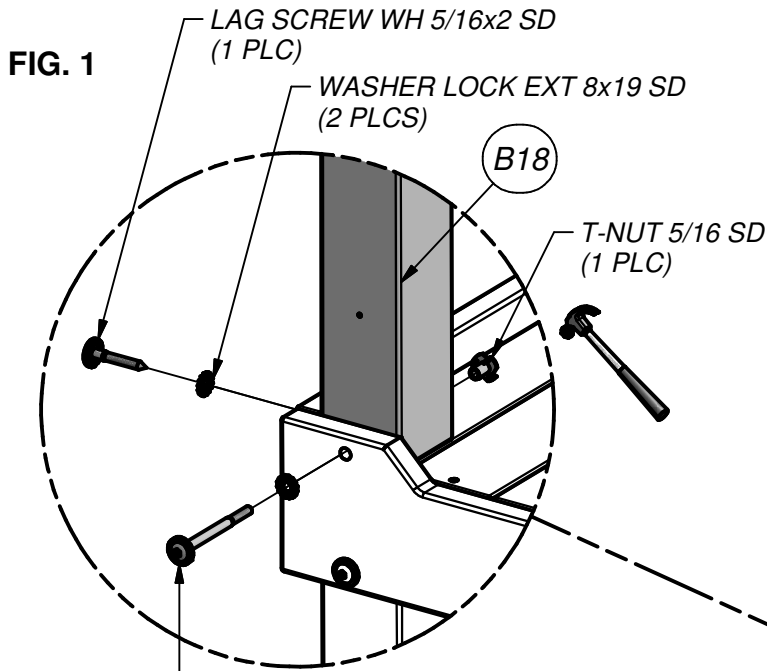
(1) B06 - UPRIGHT - W4L11283
3"x3"x54" (76x76x1372)



(1) B08 - UPRIGHT - W4L11284
3"x3"x79" (76x76x2006)

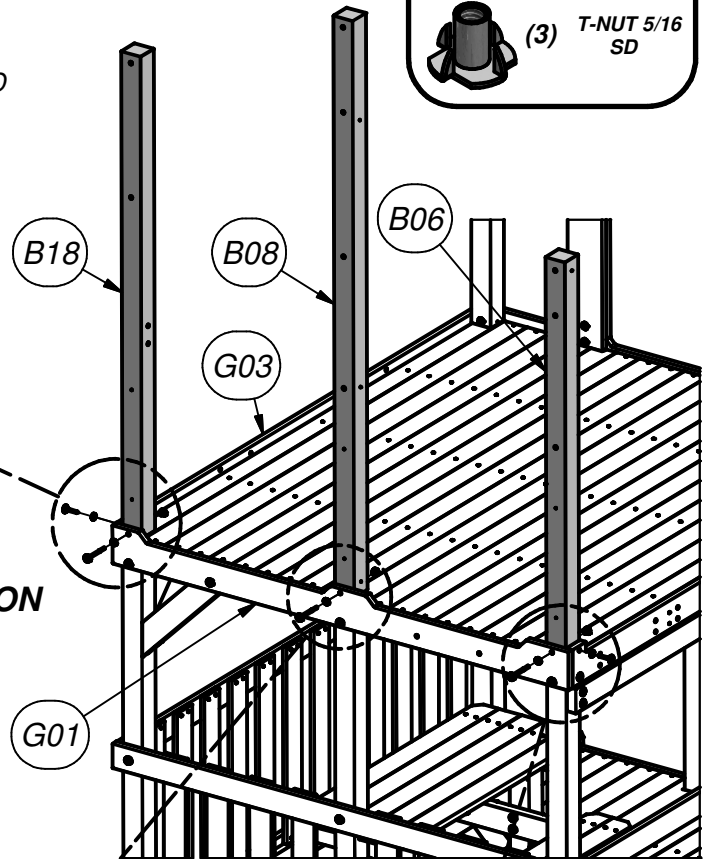


STEP 24

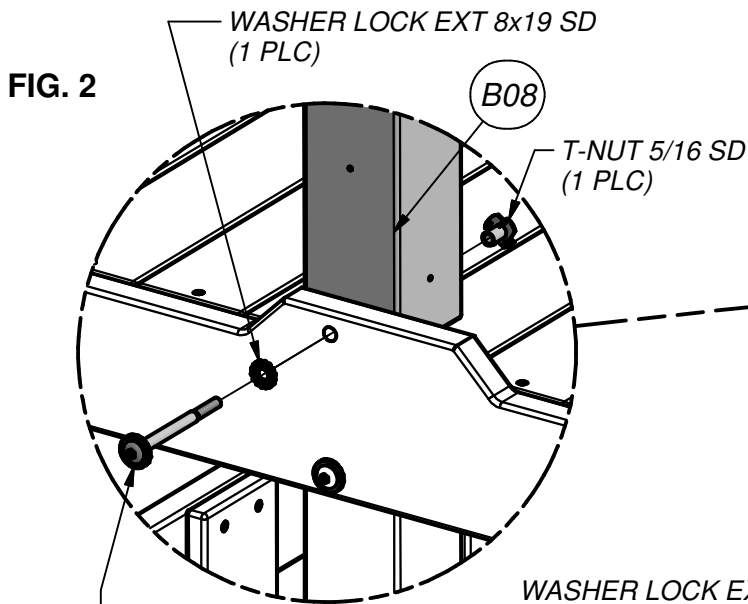


BOLT WH 5/16x3 3/4 SD
(1 PLC)

NOTE:
UPRIGHT ORIENTATION

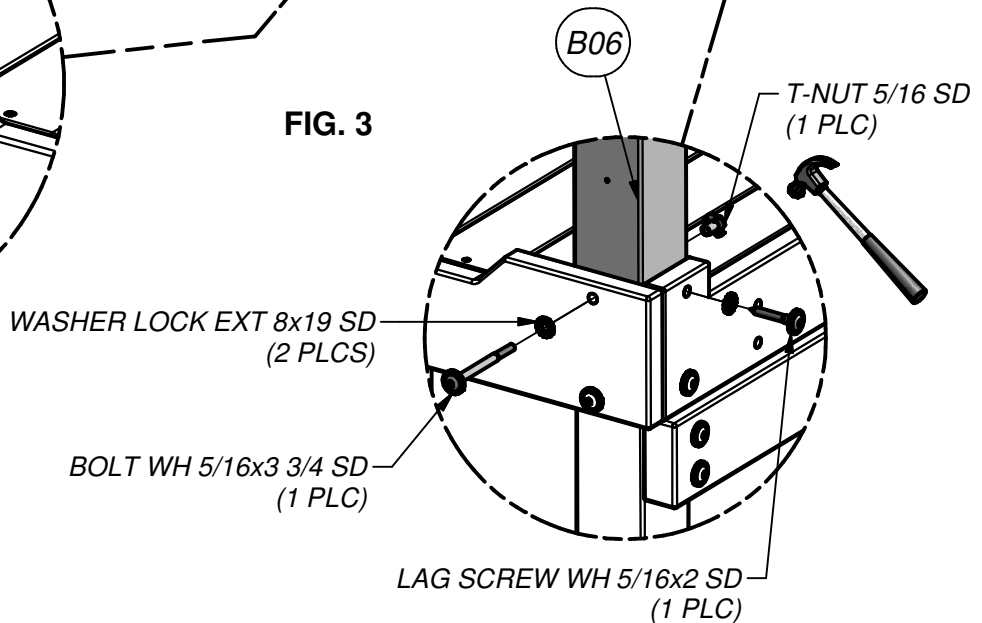


LEFT BACK CORNER

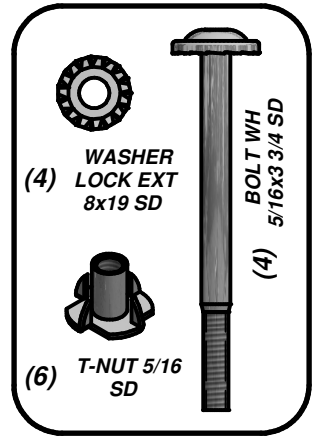
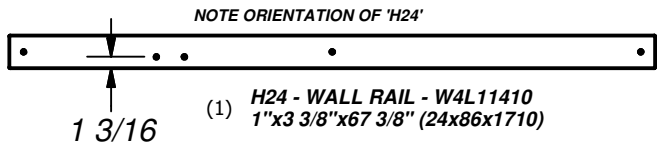


BOLT WH 5/16x3 3/4 SD
(1 PLC)

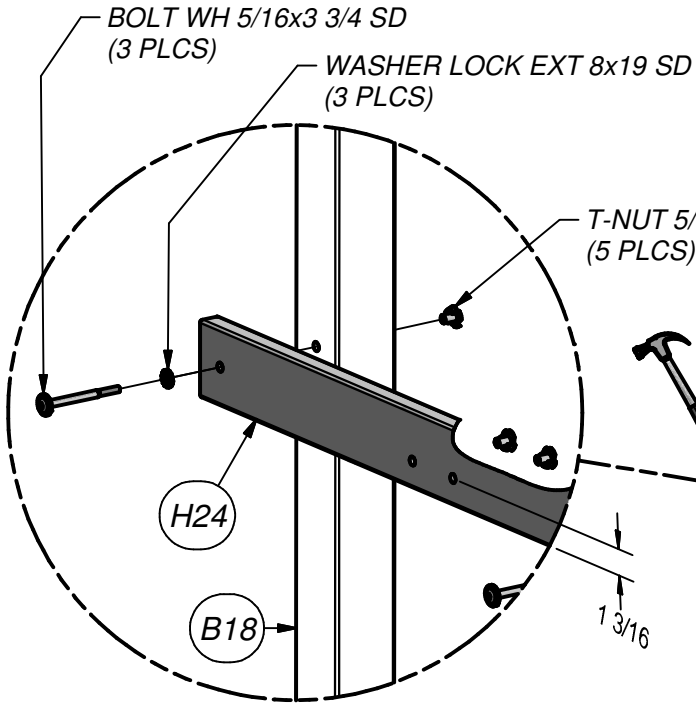
FIG. 3



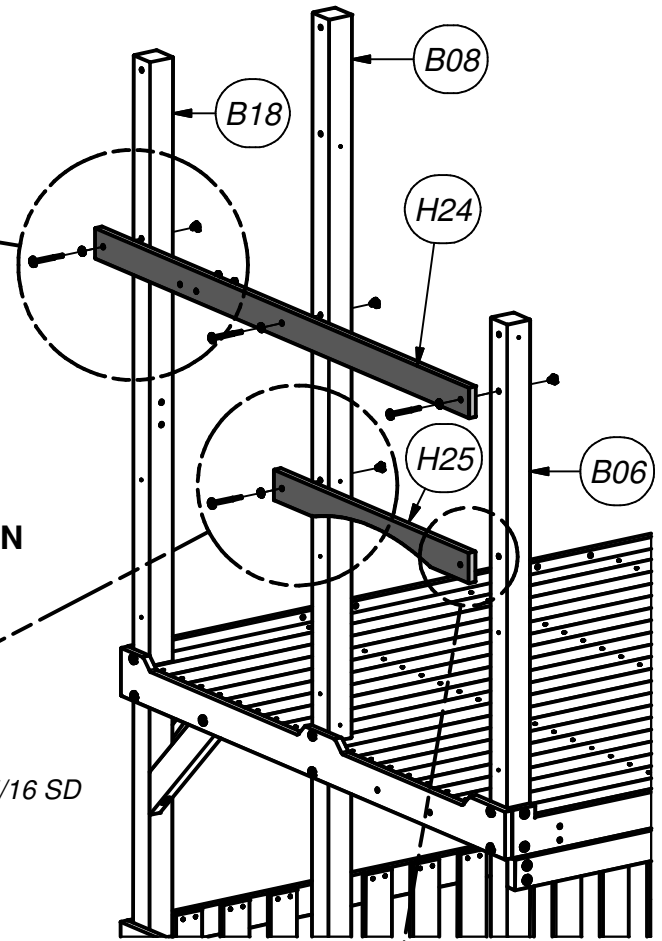
**EXTERIOR VIEW
(BACK DECK UPRIGHTS)
LARGE FORT**



STEP 25

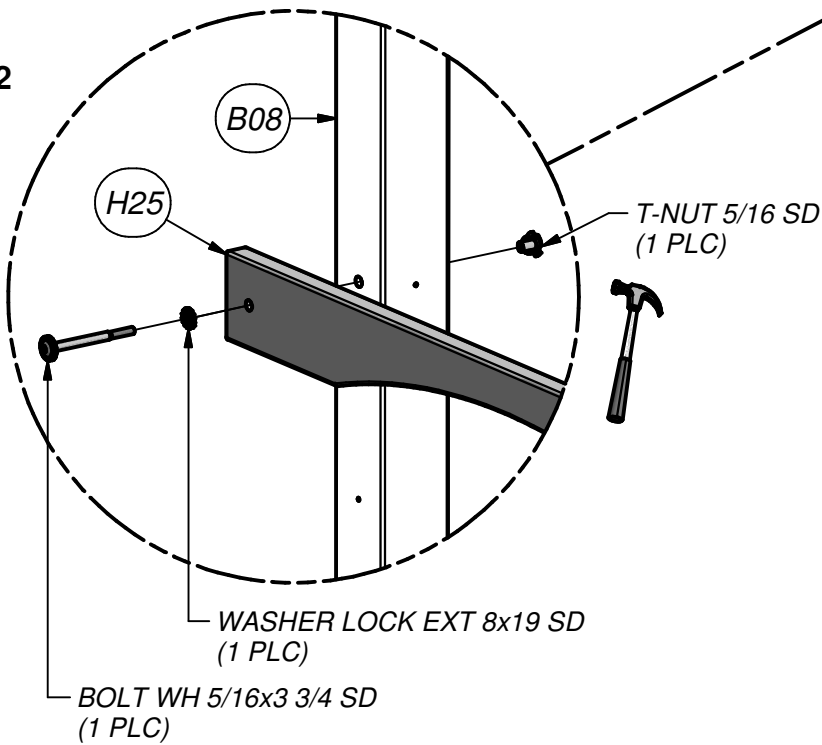


NOTE:
'H24' ORIENTATION



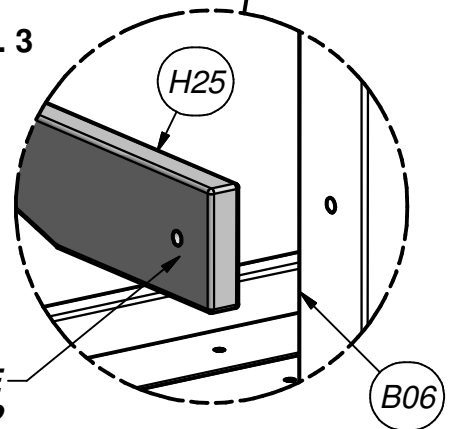
NOTE:
'E8' ORIENTATION

FIG. 2



BACK LEFT CORNER

FIG. 3



NO HARDWARE HERE IN THIS STEP

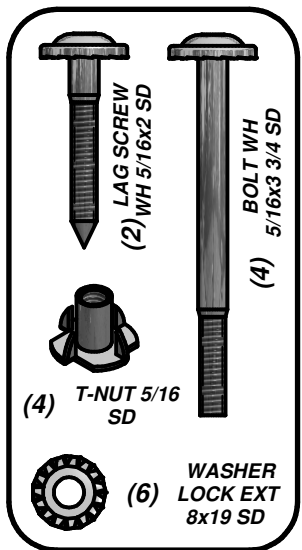
**EXTERIOR VIEW
(BACK DECK RAILS)
LARGE FORT**



(1) H14 - RAIL - W4L08777
1"x5 1/4"x80 1/4" (24x134x2038)

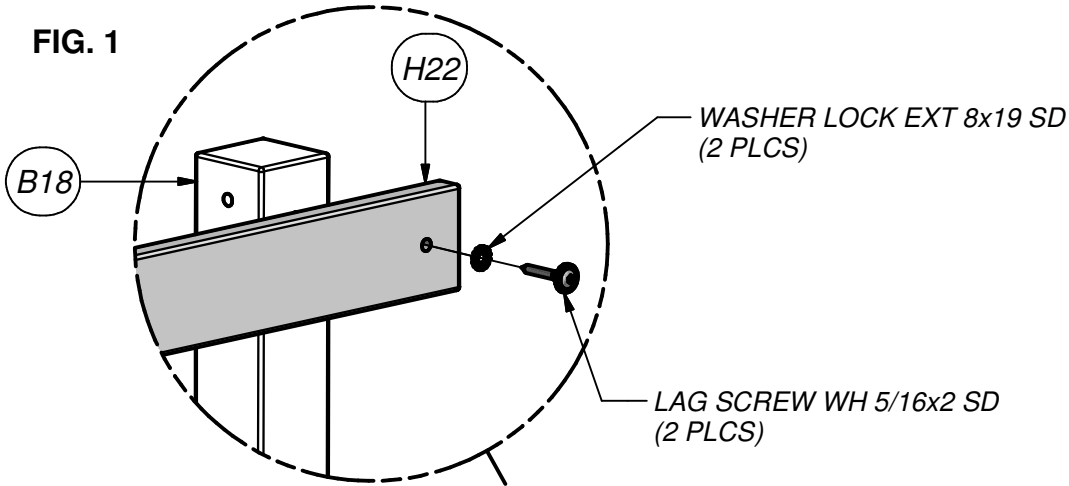


(1) H22 - WALL RAIL - W4L11286
1"x3 3/8"x80 1/4" (24x86x2038)



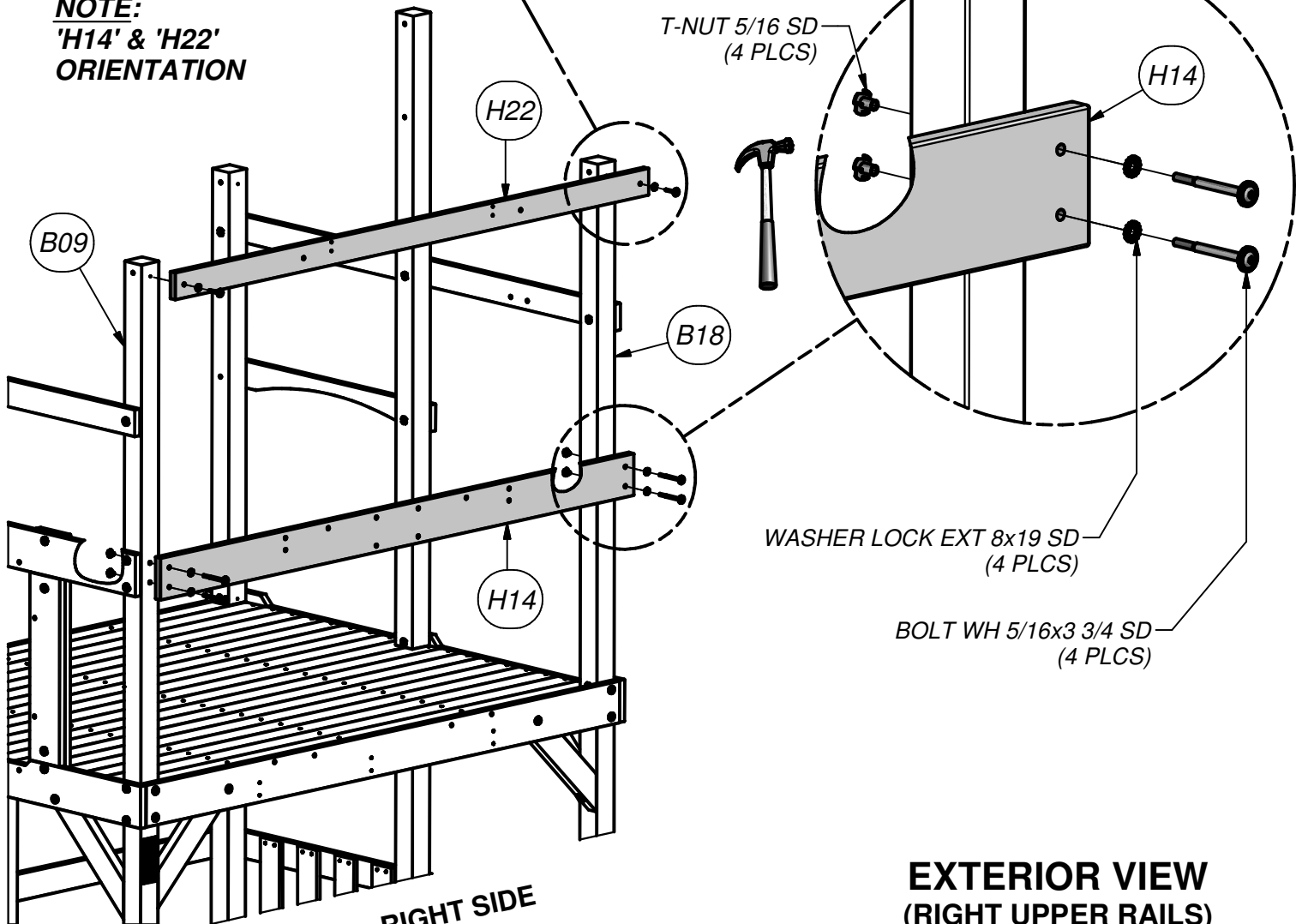
STEP 26

FIG. 1



NOTE:
'H14' & 'H22'
ORIENTATION

FIG. 2



**EXTERIOR VIEW
(RIGHT UPPER RAILS)
LARGE FORT**

THESE (2) HOLES ALIGN WITH 'H14' RAIL



(2) E08 - UPRIGHT - W4L11364
1 3/8"x3 3/8"x66 1/8" (36x86x1678)



(1) H32 - RAIL - W4L08778
1 3/8"x3"x40 3/8" (36x76x1024)

STEP 27

FIG. 1

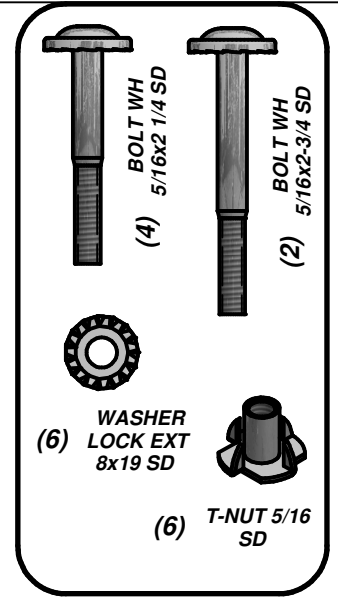
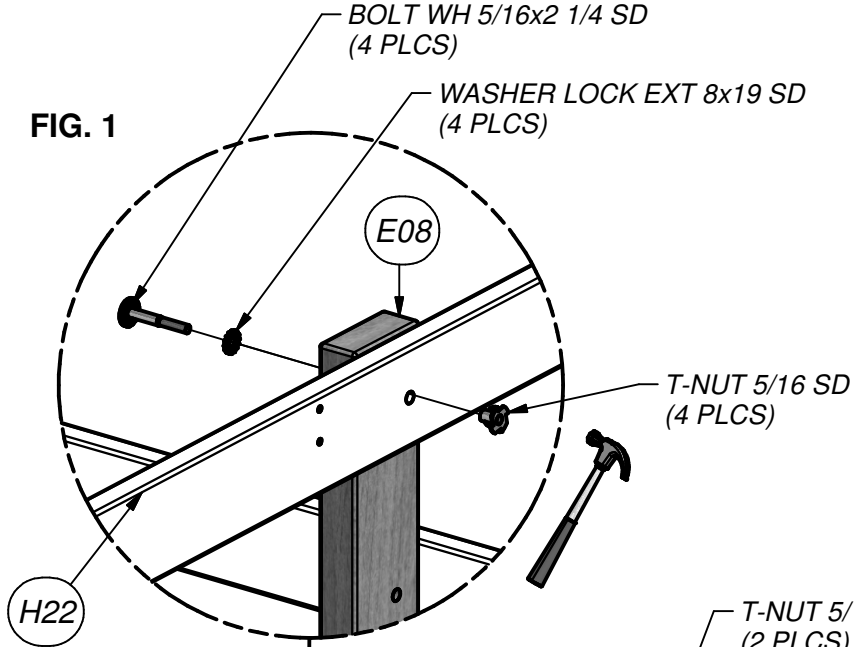
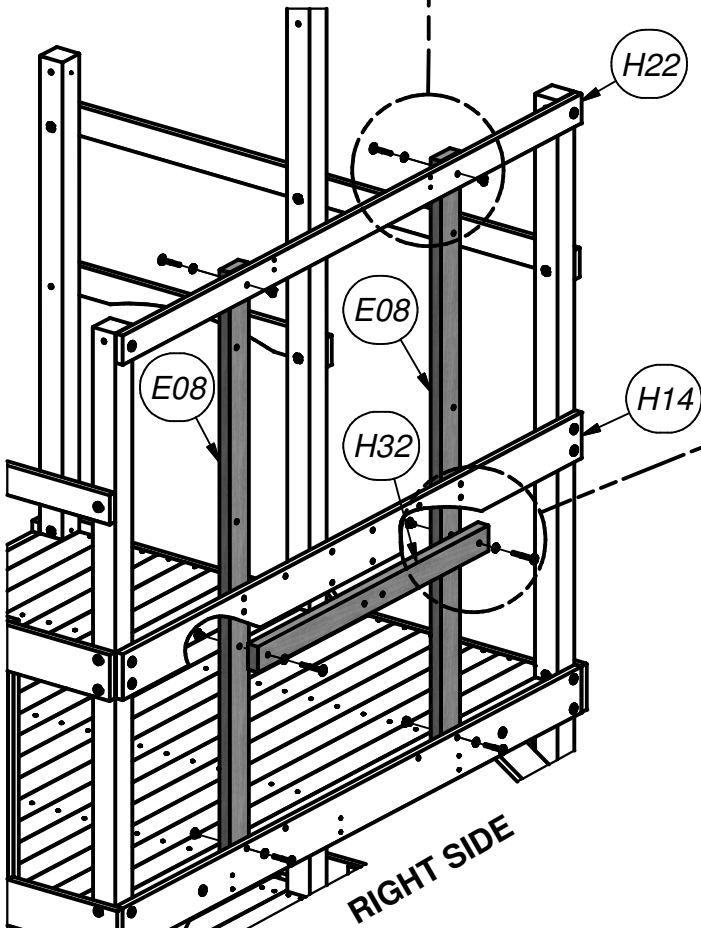
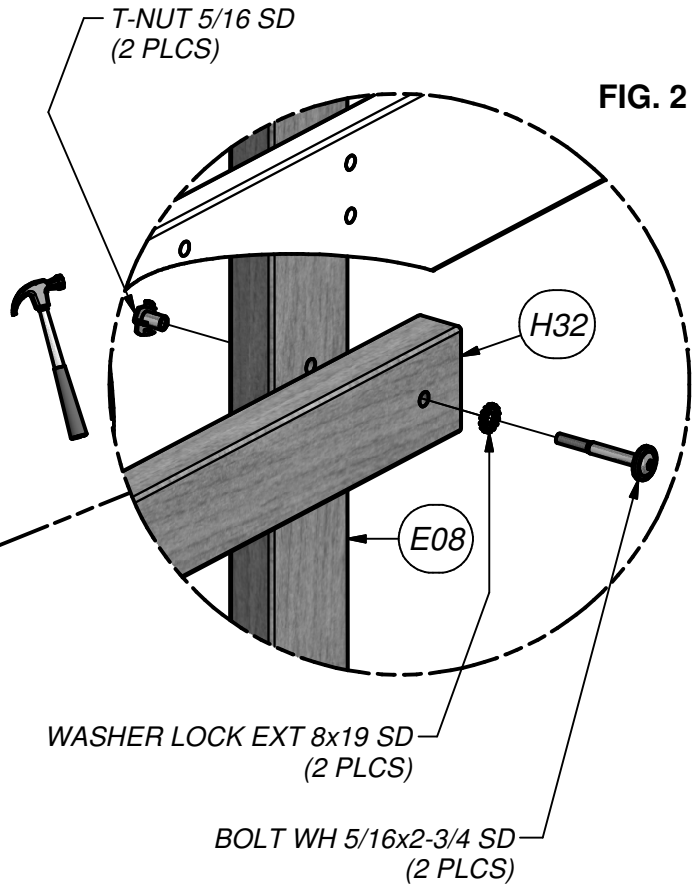
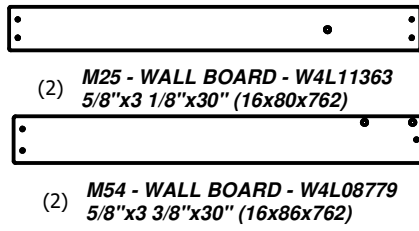
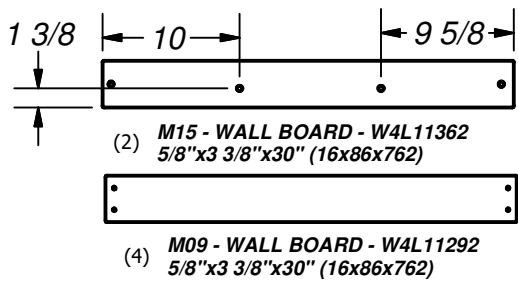


FIG. 2



EXTERIOR VIEW
(RIGHT INNER UPRIGHTS & RAIL)
LARGE FORT

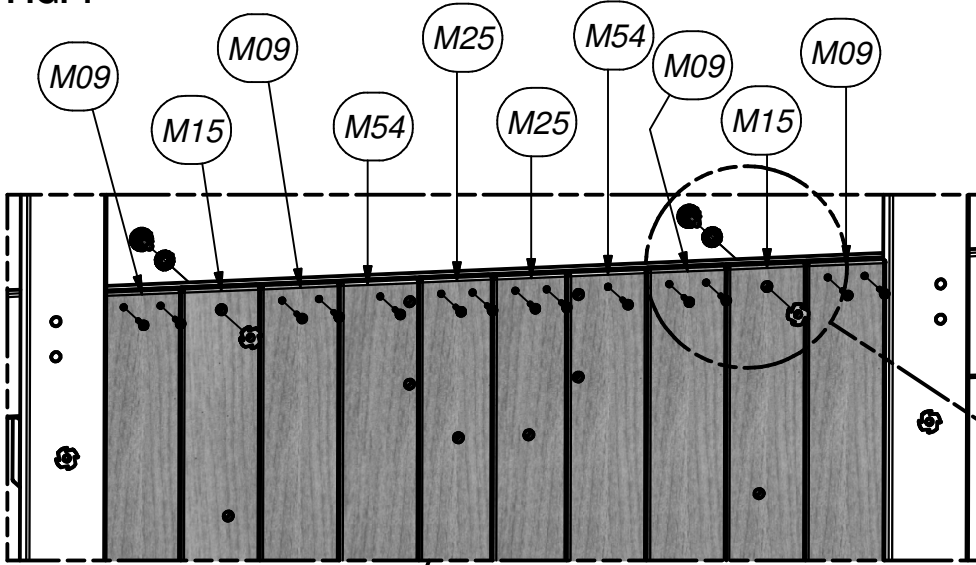


- (30) SCREW PFH 8x1 1/4 SD
- (4) BOLT WH 5/16x1 1/2 SD
- (4) WASHER LOCK EXT 8x19 SD
- (4) T-NUT 5/16 SD

STEP 28

NOTE:
'M25' & 'M54' ORIENTATION

FIG. 1



NOTE:
WALL BOARDS
EVENLY SPACED

WASHER LOCK EXT 8x19 SD
(4 PLCS)

SCREW PFH 8x1 1/4 SD
(30 PLCS)

T-NUT 5/16 SD
(4 PLCS)

BOLT WH 5/16x1 1/2 SD
(4 PLCS)

FIG. 2

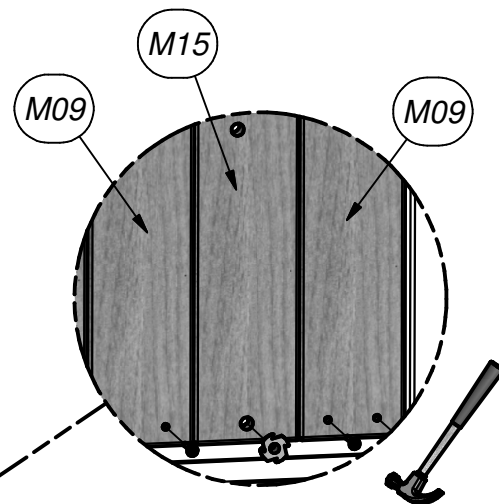
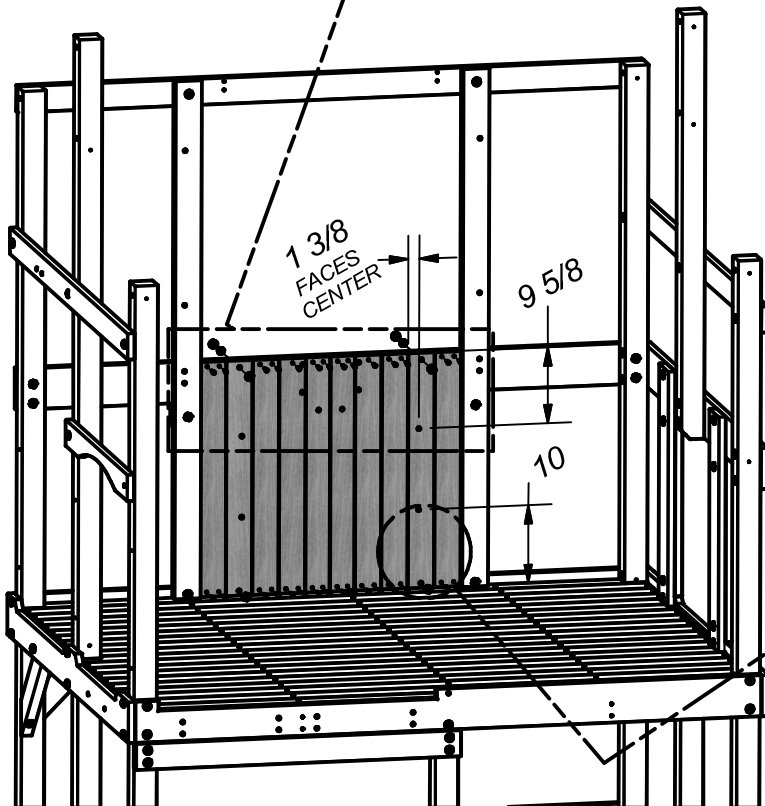
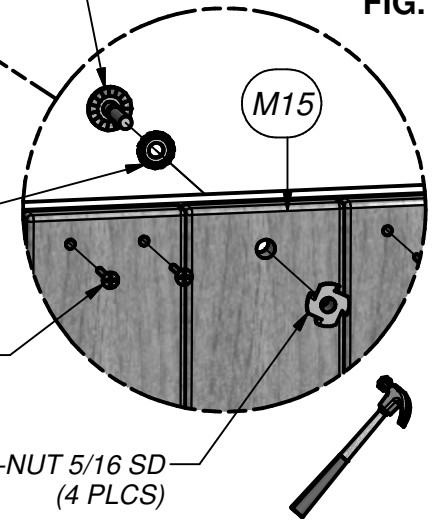
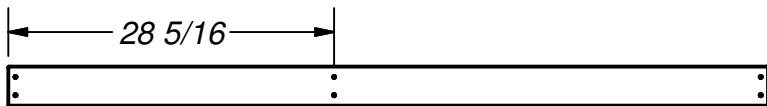


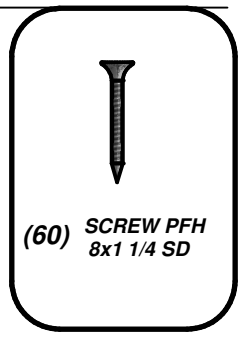
FIG. 3

INTERIOR VIEW
(RIGHT CENTER UPPER WALL)
LARGE FORT



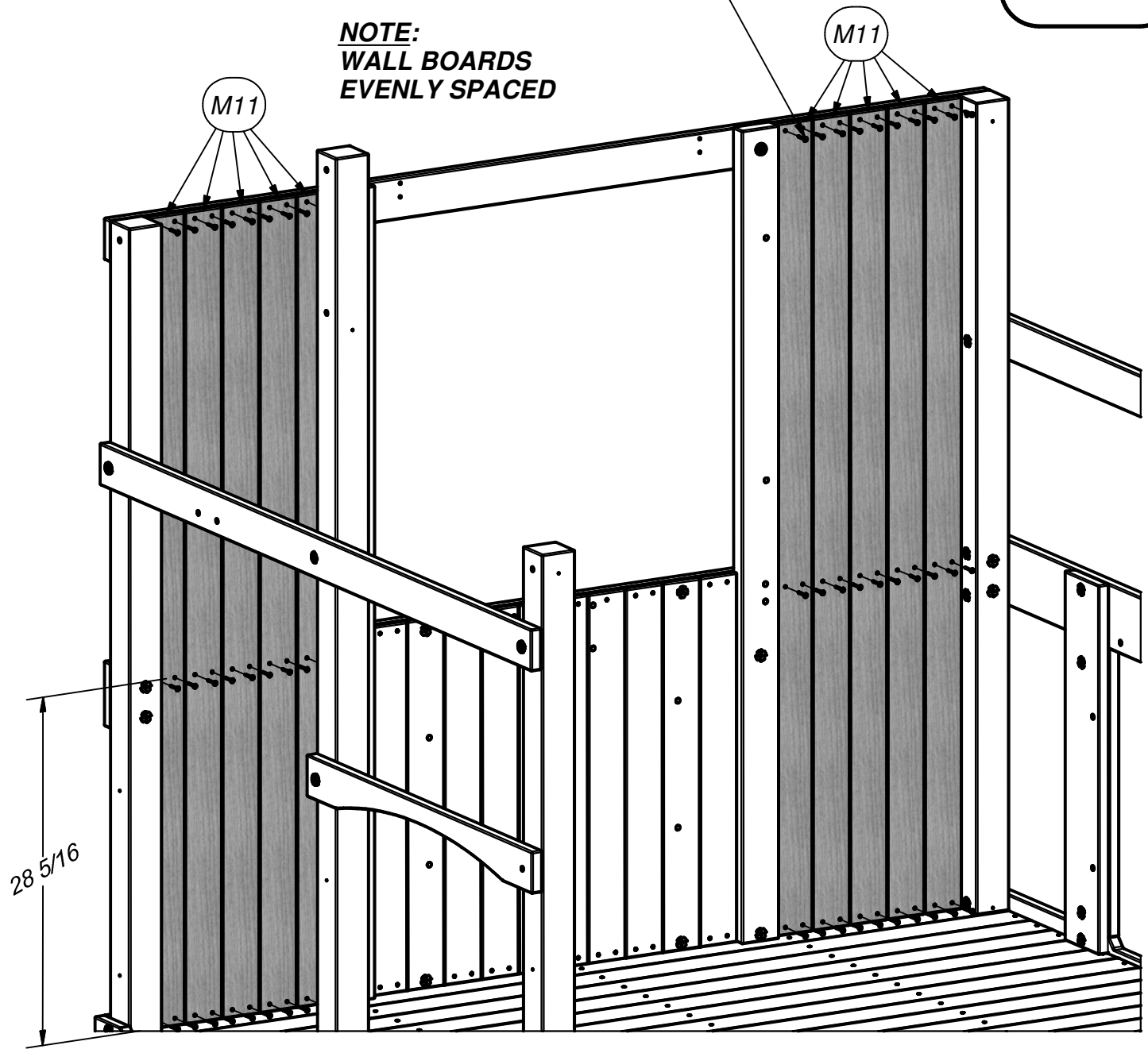
(10) M11 - WALL BOARD - W4L11295
5/8"x3 3/8"x66" (16x86x1676)

STEP 29



SCREW PFH 8x1 1/4 SD
(60 PLCS)

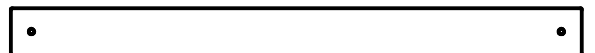
NOTE:
WALL BOARDS
EVENLY SPACED



INTERIOR VIEW
(RIGHT OUTER UPPER WALL)
LARGE FORT



(1) B07 - UPRIGHT - W4L11291
3"x3"x54" (76x76x1372)



(1) H28 - WALL RAIL - W4L11289
1"x3 3/8"x41 5/8" (24x86x1058)



(1) N3 - ROOF RAIL - W4L11308
5/8"x3 3/8"x80 1/4" (16x86x2038)

STEP 30

FIG. 1

WASHER LOCK EXT 8x19 SD
(5 PLCS)

LAG SCREW WH 5/16x2 SD
(5 PLCS)

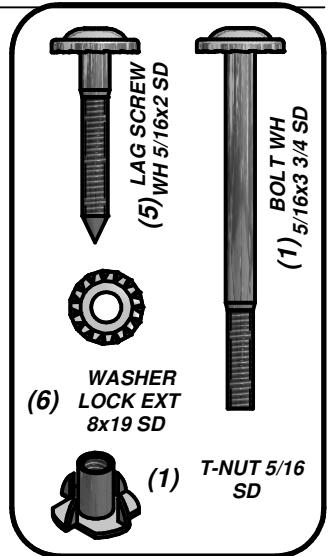
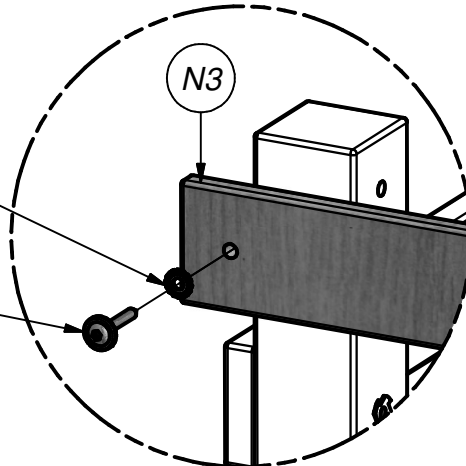
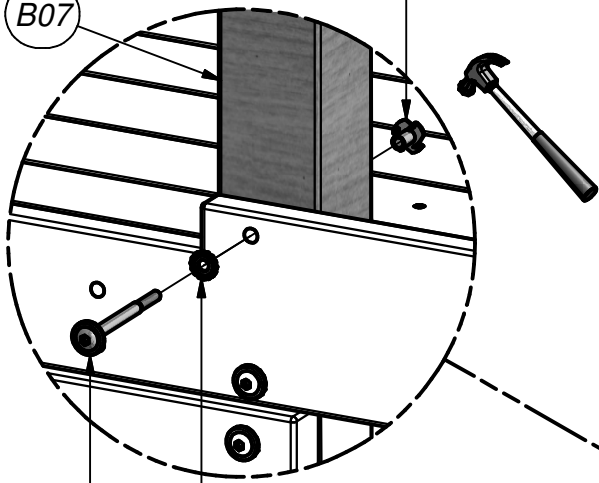


FIG. 2

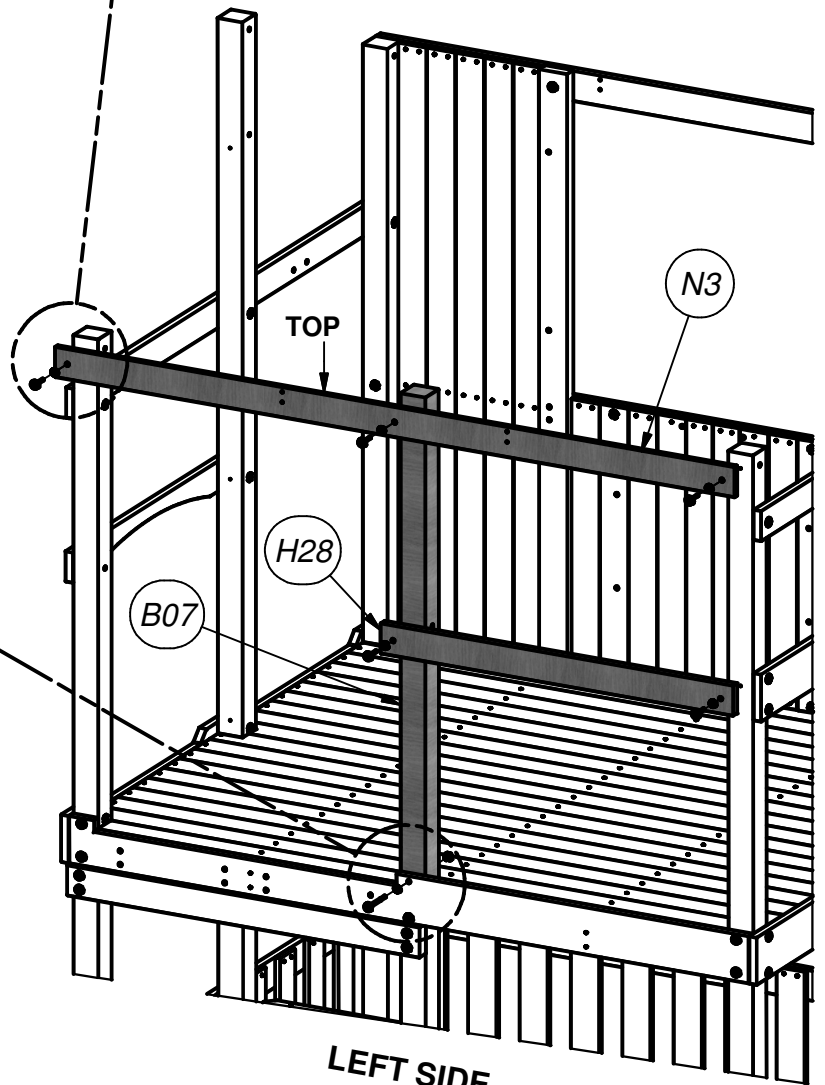
T-NUT 5/16 SD
(1 PLC)

B07



WASHER LOCK EXT 8x19 SD
(1 PLC)

BOLT WH 5/16x3 3/4 SD
(1 PLC)

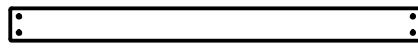


INTERIOR VIEW
(LEFT UPPER WALL)
LARGE FORT

LEFT SIDE



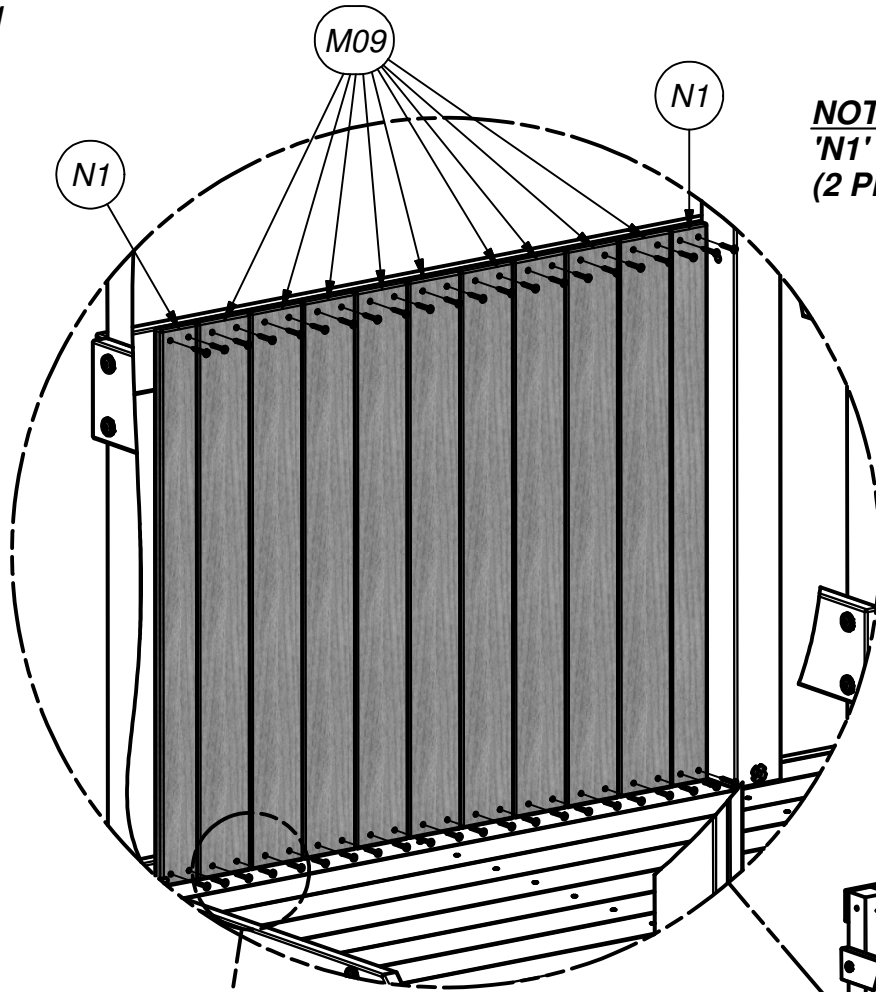
(9) **M09 - WALL BOARD - W4L11292**
5/8"x3 3/8"x30" (16x86x762)



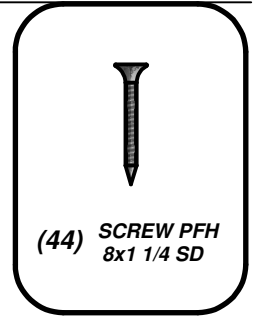
(2) **N1 - WALL BOARD - W4L11293**
5/8"x2 3/8"x30" (16x60x762)

STEP 31

FIG. 2

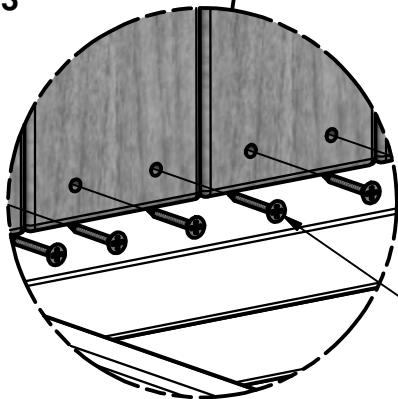


NOTE:
'N1' PLACEMENT
(2 PLCS)



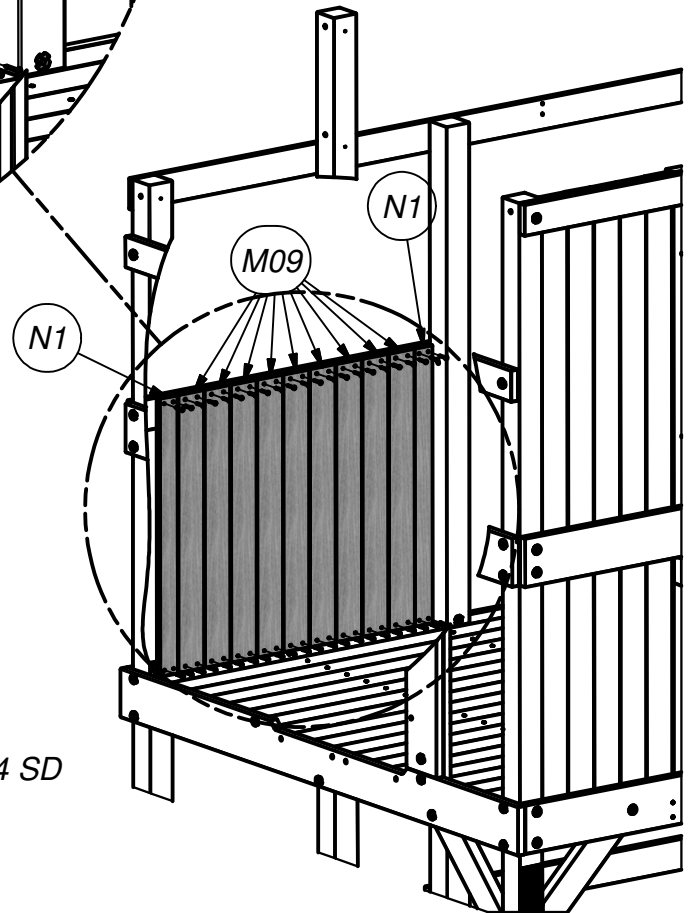
NOTE:
WALL BOARDS
EVENLY SPACED

FIG. 3



SCREW PFH 8x1 1/4 SD
(44 PLCS)

FIG. 1



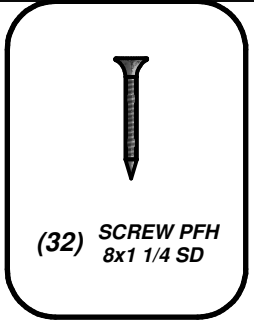
FRONT
RIGHT CORNER

INTERIOR VIEW
(UPPER RIGHT CENTER WALL)
LARGE FORT



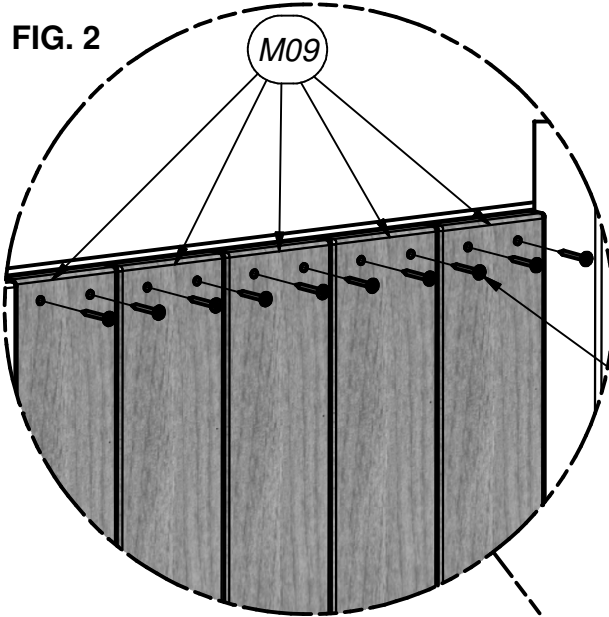
(8) M09 - WALL BOARD - W4L11292
5/8"x3 3/8"x30" (16x86x762)

STEP 32



(32) SCREW PFH
8x1 1/4 SD

NOTE:
'M09' WALL BOARDS
EVENLY SPACED



SCREW PFH 8x1 1/4 SD
(20 PLCS)

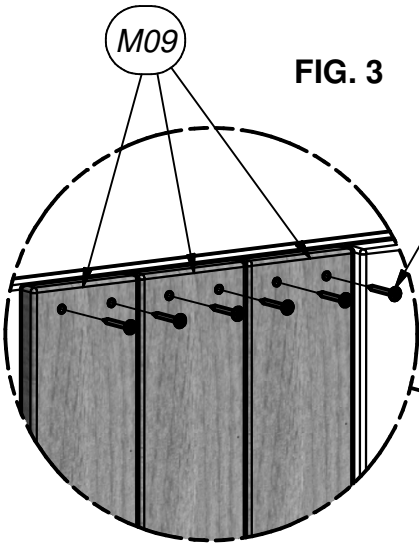
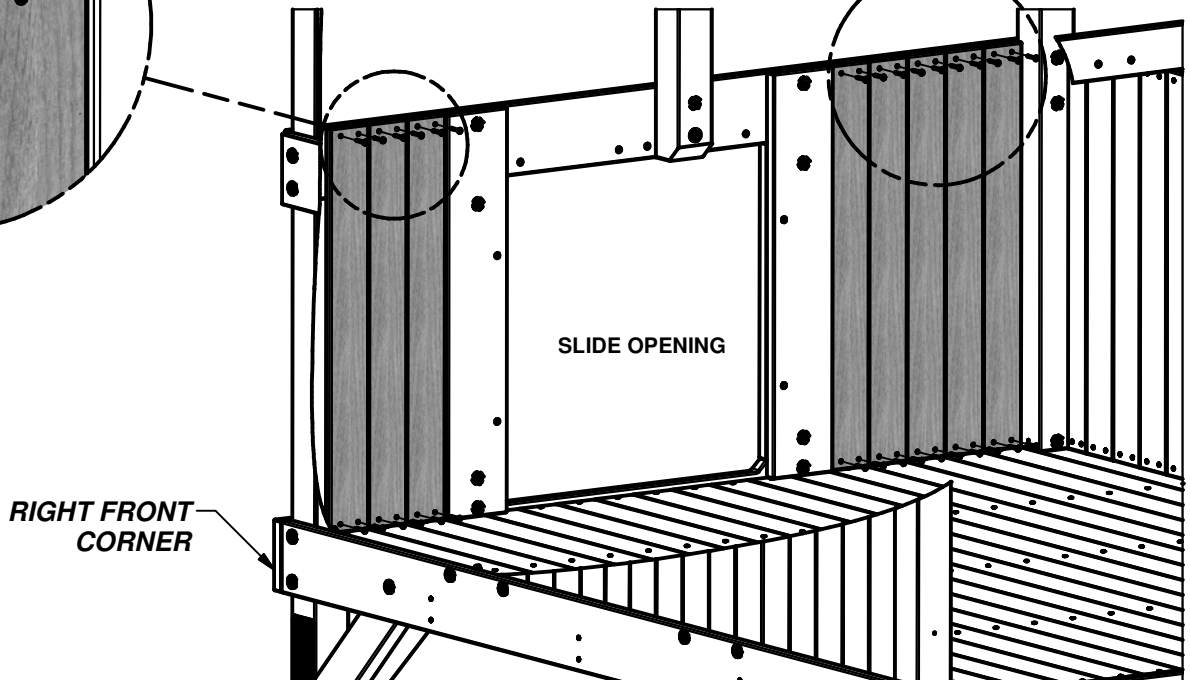


FIG. 3

SCREW PFH 8x1 1/4 SD
(12 PLCS)

FIG. 1



INTERIOR VIEW
(UPPER FRONT SLIDE WALL)
LARGE FORT



(2) N5 - PICKET - W4L08774
5/8"x2 3/8"x30" (16x60x762)

STEP 33

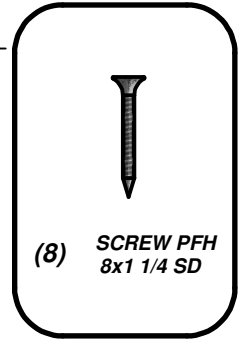


FIG. 3

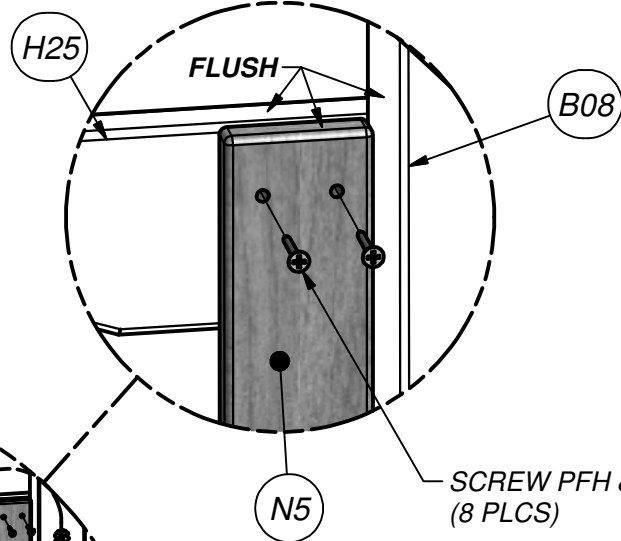


FIG. 2

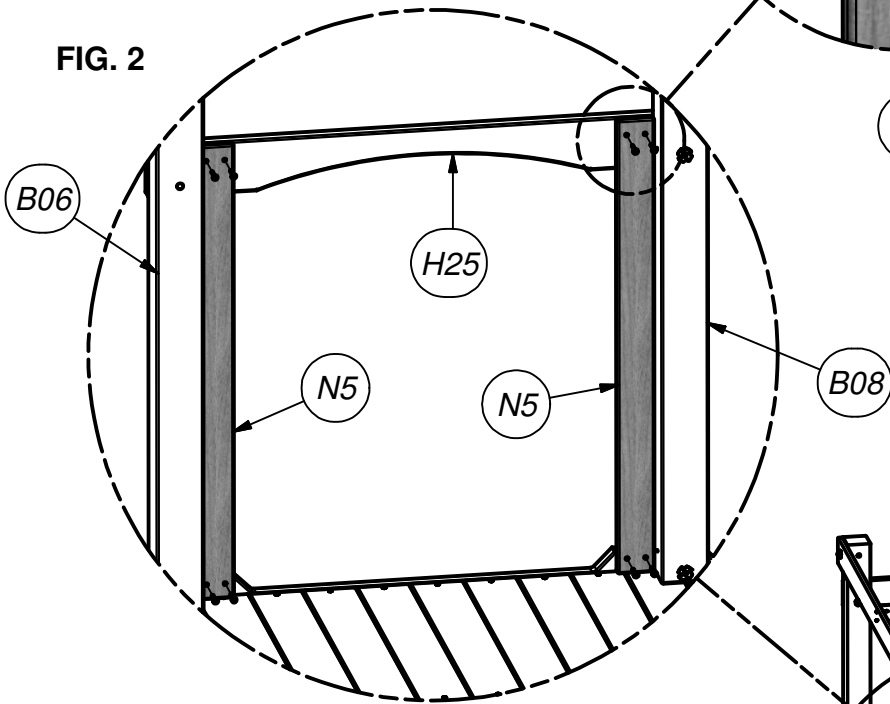
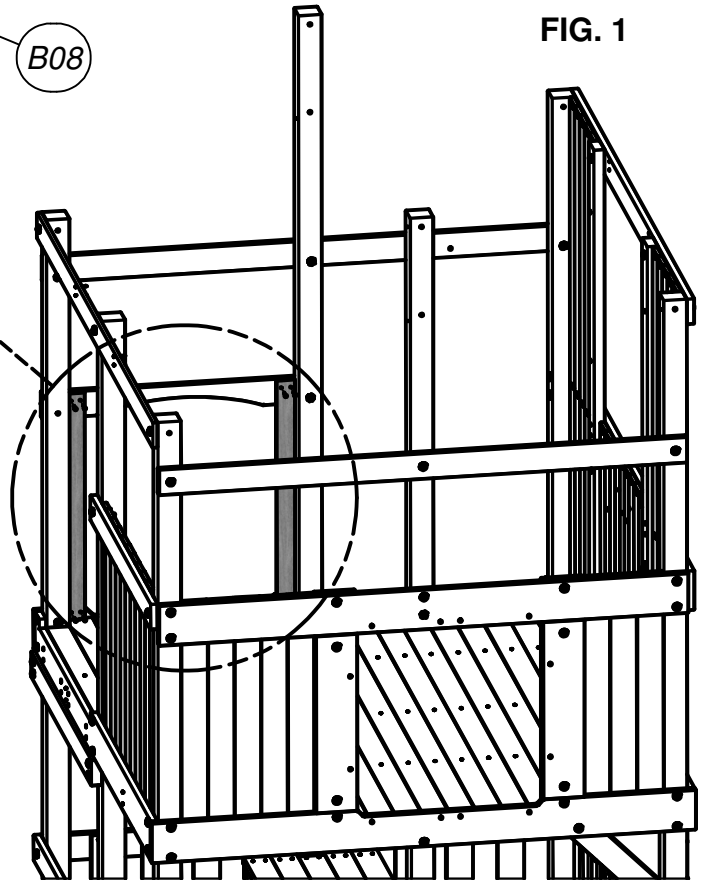
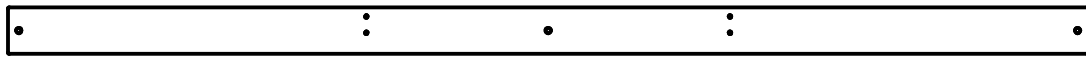


FIG. 1



**EXTERIOR VIEW
(BACK WALL PICKETS)
LARGE FORT**

**FRONT RIGHT
CORNER**



(1) H06 - RAIL - W4L08768
1" x 3 3/8" x 7/8 7/8" (24x86x2002)



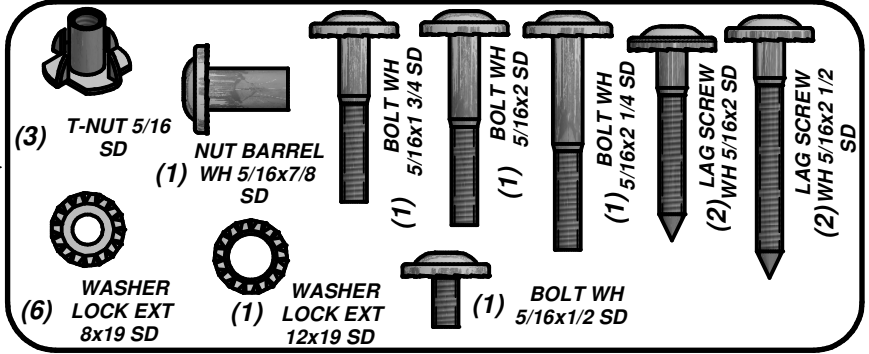
(1) E05 - UPRIGHT - W4L11296
1 3/8" x 3 3/8" x 66 1/2" (36x86x1690)



(2) M10 - WALL RAIL - W4L11298
5/8" x 3 3/8" x 41 1/8" (16x86x1044)



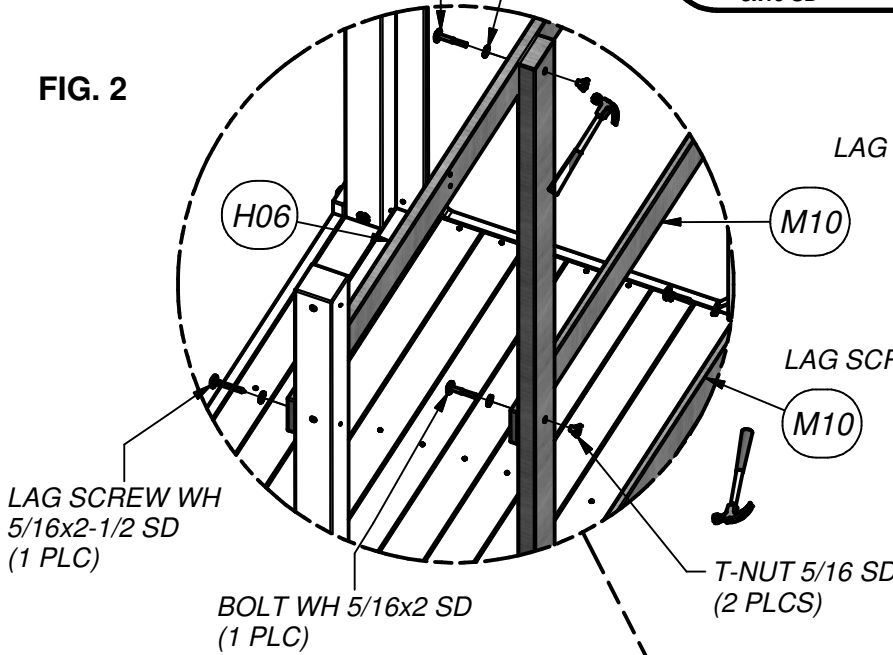
(1) - L BRACKET BLUE 2.5x38x50x55 - A4M00584



STEP 34

- WASHER LOCK EXT 8x19 SD (2 PLCS)
- BOLT WH 5/16x2 1/4 SD (1 PLC)

FIG. 2



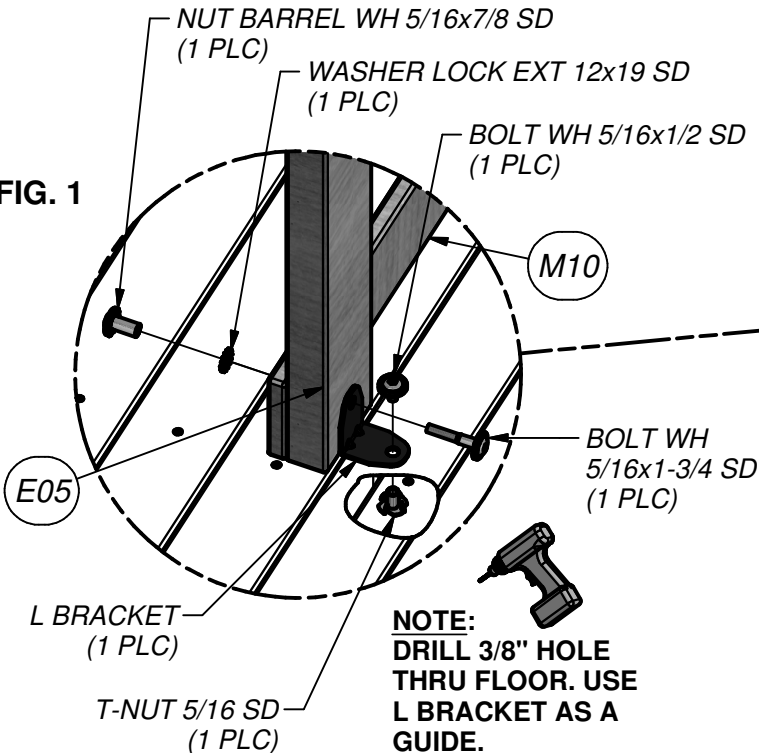
LAG SCREW WH 5/16x2-1/2 SD (1 PLC)

BOLT WH 5/16x2 SD (1 PLC)

LAG SCREW WH 5/16x2 SD (2 PLCS)

T-NUT 5/16 SD (2 PLCS)

FIG. 1



NUT BARREL WH 5/16x7/8 SD (1 PLC)

WASHER LOCK EXT 12x19 SD (1 PLC)

BOLT WH 5/16x1/2 SD (1 PLC)

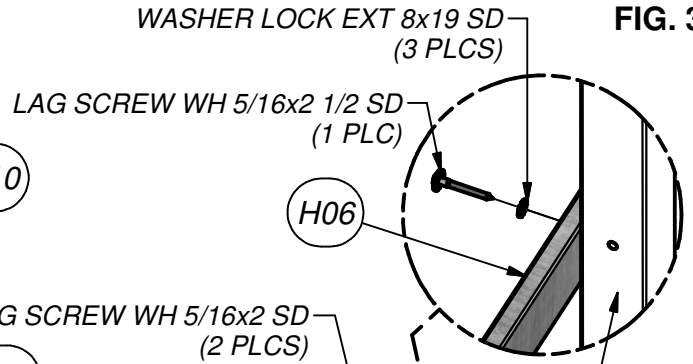
BOLT WH 5/16x1-3/4 SD (1 PLC)

L BRACKET (1 PLC)

T-NUT 5/16 SD (1 PLC)

NOTE:
DRILL 3/8" HOLE THRU FLOOR. USE L BRACKET AS A GUIDE.

FIG. 3



WASHER LOCK EXT 8x19 SD (3 PLCS)

LAG SCREW WH 5/16x2 1/2 SD (1 PLC)

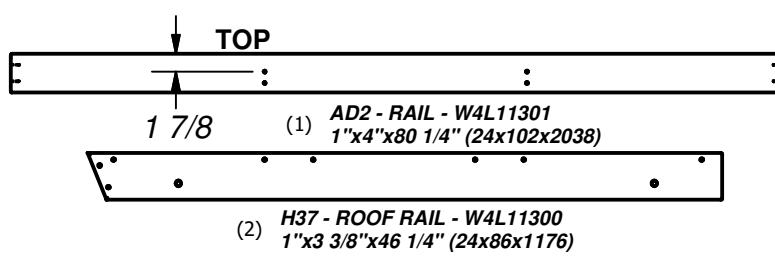
H06

B08

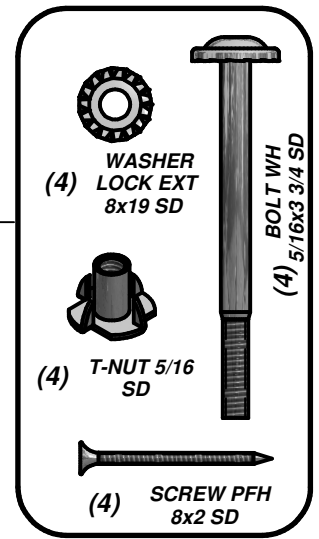
H06

M10

**EXTERIOR VIEW
(UPPER CENTER WALL FRAME)
LARGE FORT**



STEP 35



NOTE:
'AD2' ORIENTATION

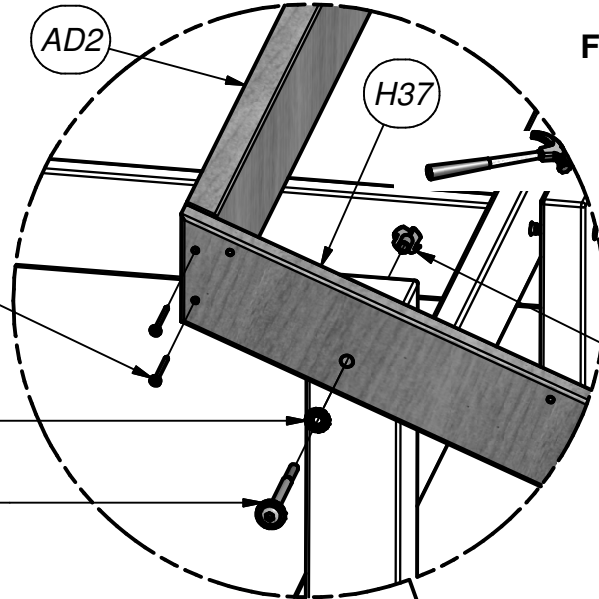


FIG. 1

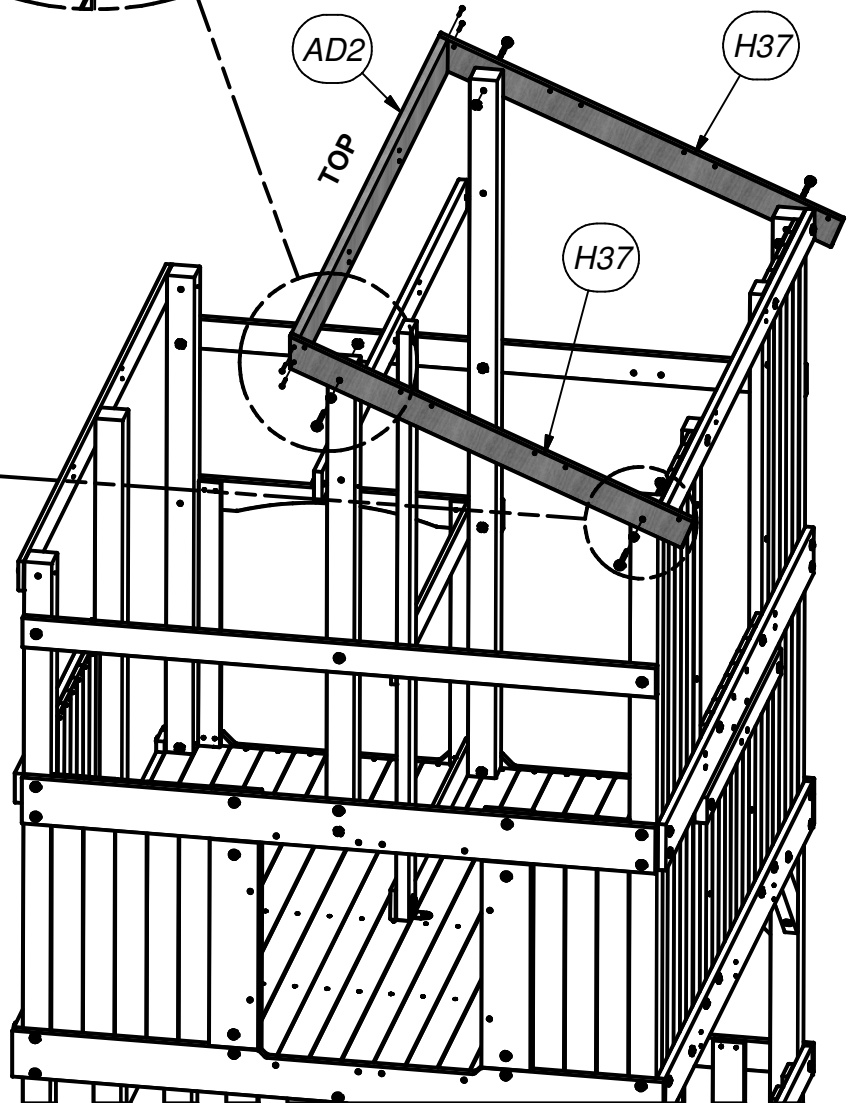
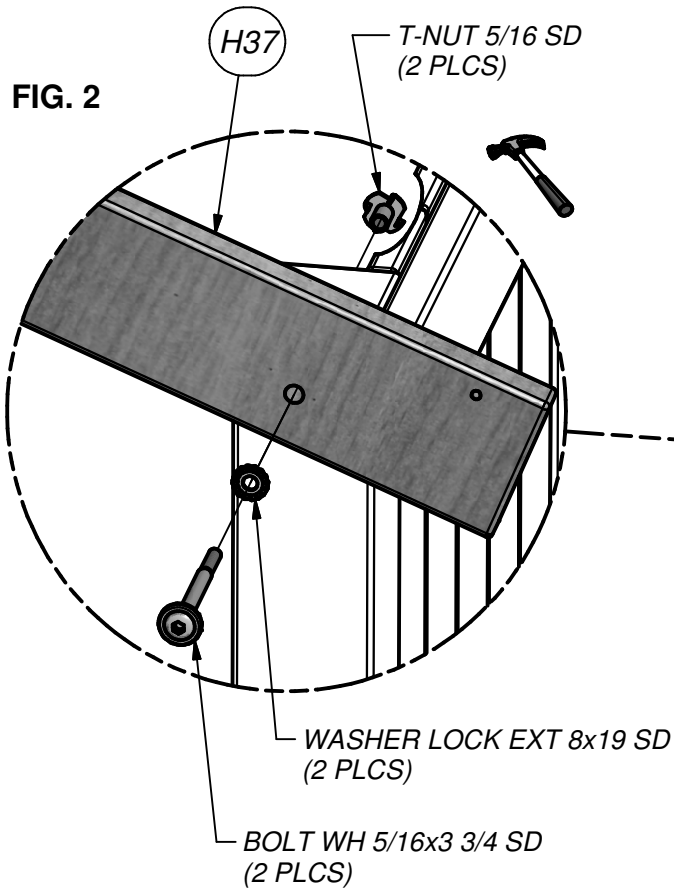
SCREW PFH 8x2 SD
(4 PLCS)

WASHER LOCK EXT 8x19 SD
(2 PLCS)

BOLT WH 5/16x3 3/4 SD
(2 PLCS)

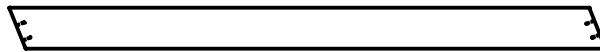
T-NUT 5/16 SD
(2 PLCS)

FIG. 2



EXTERIOR VIEW
(RIGHT ROOF ASSEMBLY)
LARGE FORT

FRONT RIGHT CORNER



(2) H35 - ROOF RAIL - W4L11302
1"x3"x43 1/2" (24x76x1105)

STEP 36

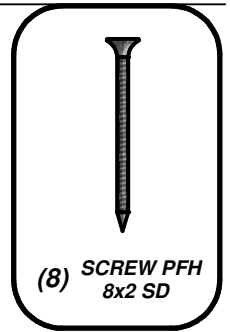


FIG. 1

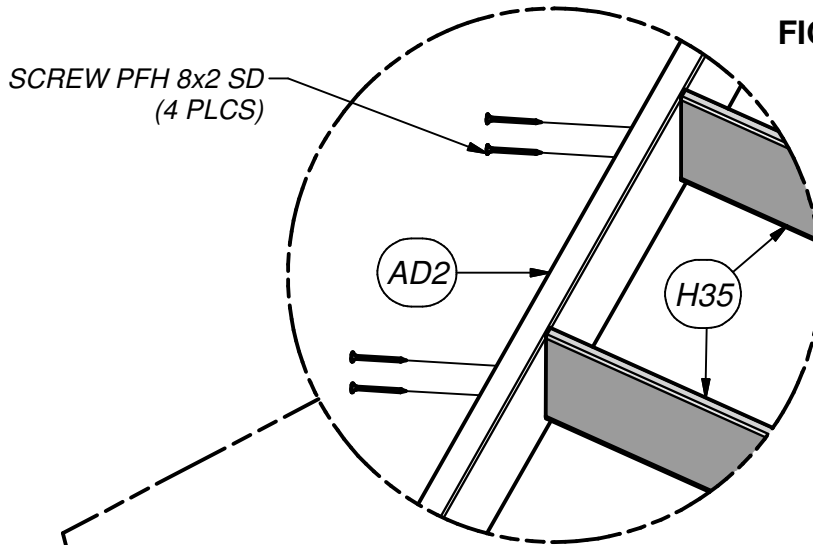
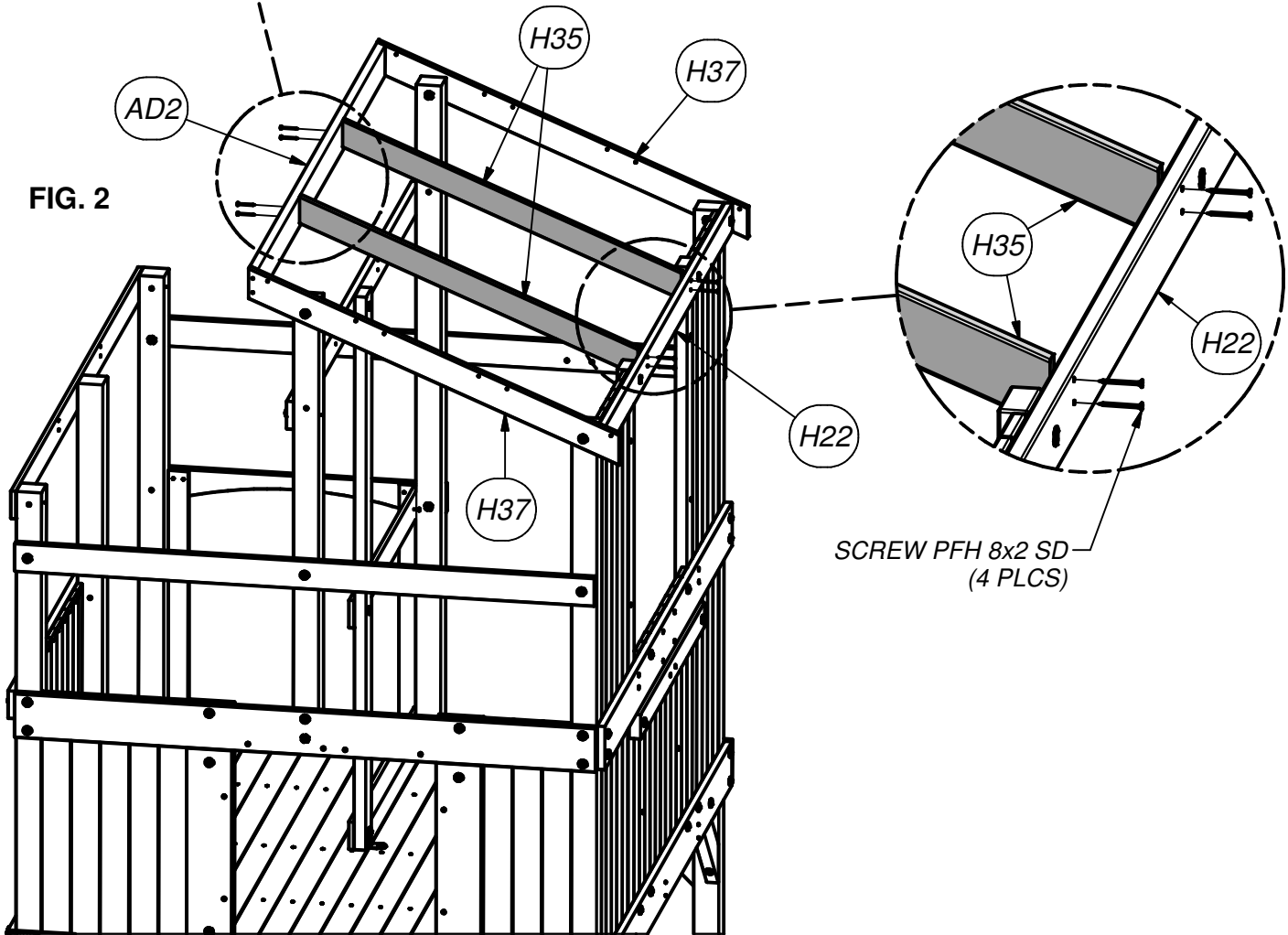


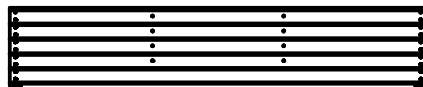
FIG. 2



EXTERIOR VIEW
(RIGHT ROOF - CENTER TRUSSES)
LARGE FORT



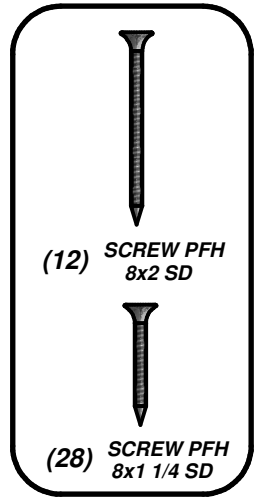
(1) RP2 - ROOF PANEL - W2A02513
1 9/16"x15 3/4"x86 7/8" (40x400x2206)



(1) RP4 - ROOF PANEL - W2A02514
1 9/16"x16 1/8"x86 7/8" (40x410x2206)



(1) RP1 - ROOF PANEL - W2A02512
1 9/16"x15 3/4"x86 7/8" (40x400x2206)



STEP 37

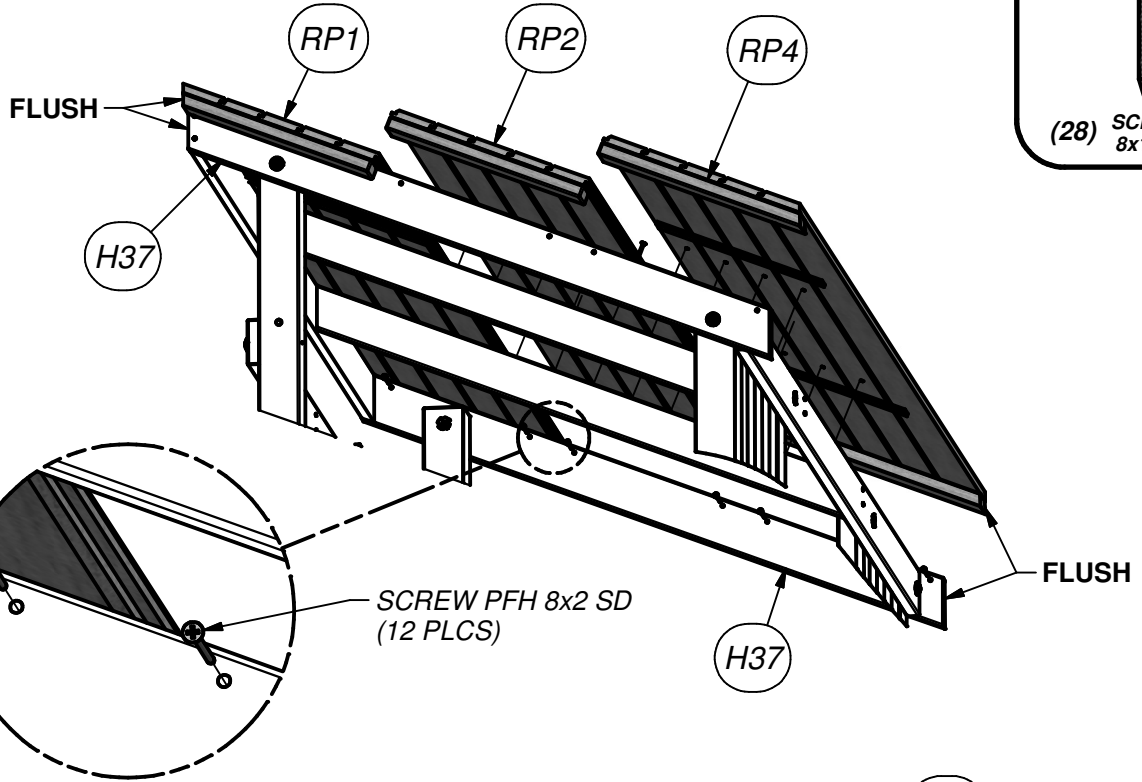


FIG. 1

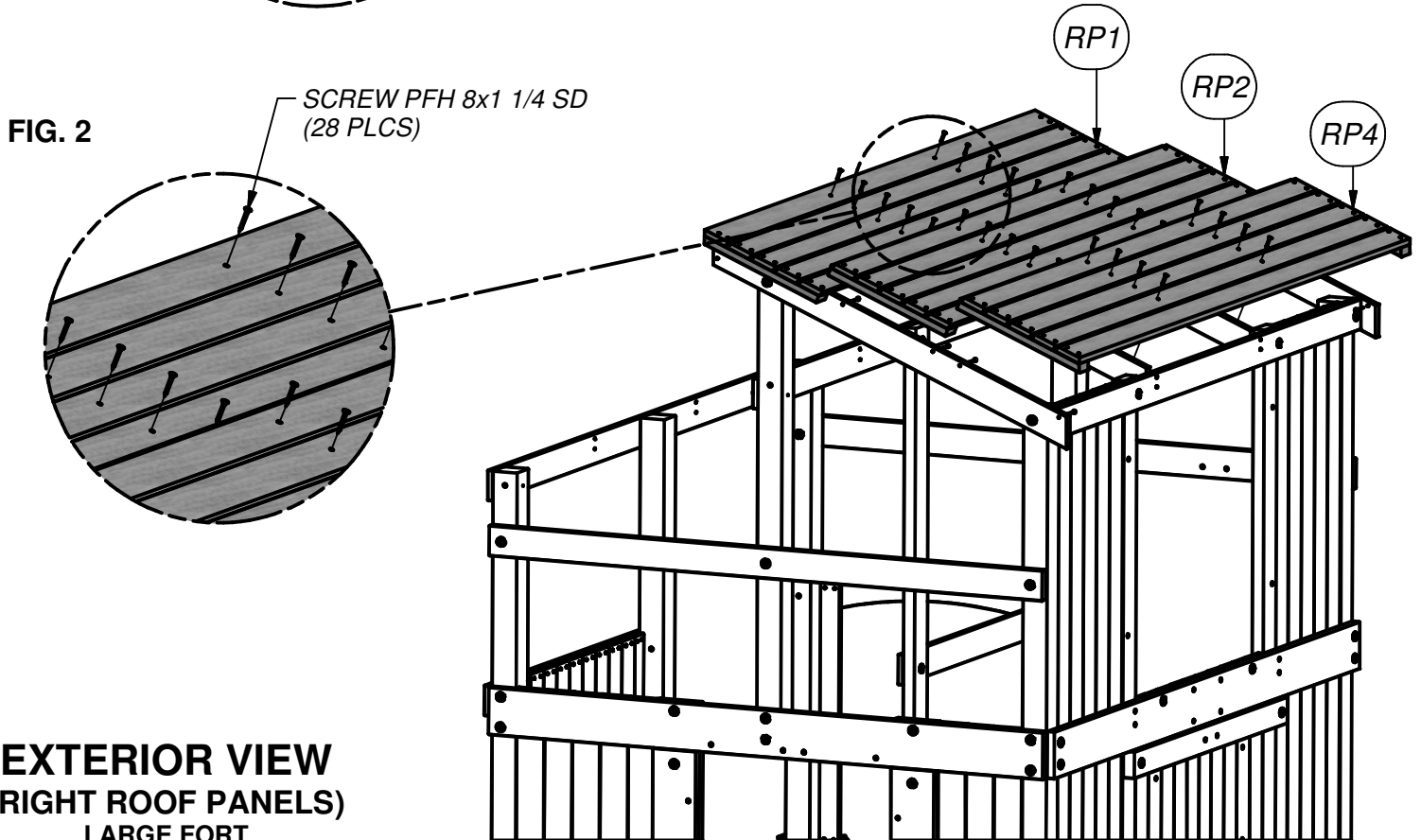
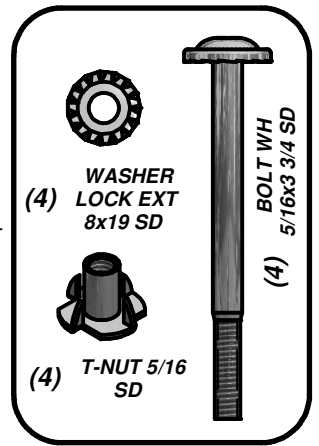


FIG. 2

**EXTERIOR VIEW
(RIGHT ROOF PANELS)
LARGE FORT**



(2) H36 - ROOF RAIL - W4L08766
1"x3 3/8"x41 3/4" (24x86x1060)



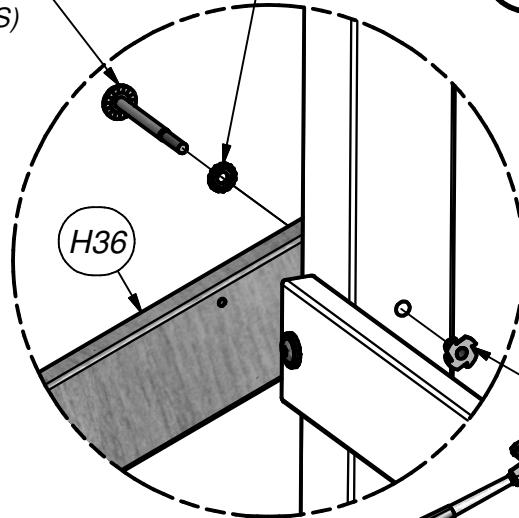
STEP 38

WASHER LOCK EXT 8x19 SD
(2 PLCS)

BOLT WH 5/16x3 3/4 SD
(2 PLCS)

FIG. 2

NOTE:
'H36' ORIENTATION

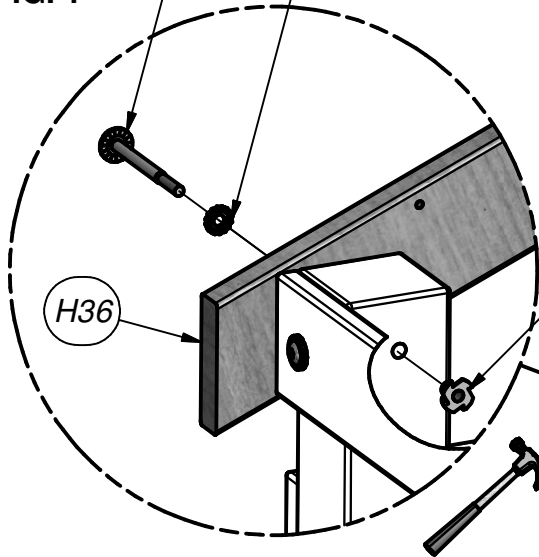


T-NUT 5/16 SD
(2 PLCS)

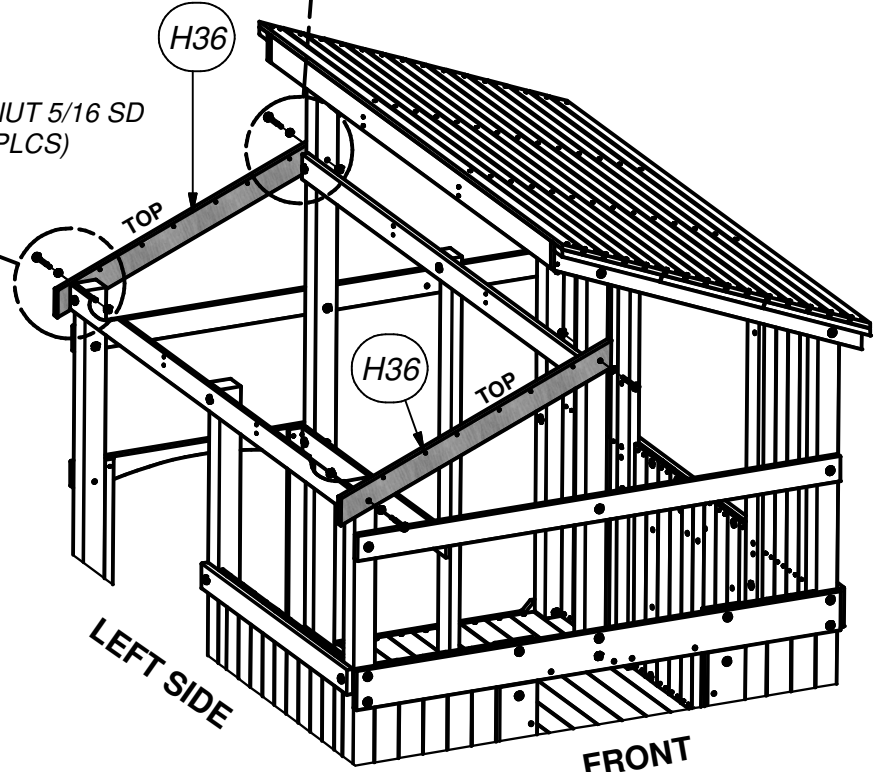
FIG. 1

BOLT WH 5/16x3 3/4 SD
(2 PLCS)

WASHER LOCK EXT 8x19 SD
(2 PLCS)



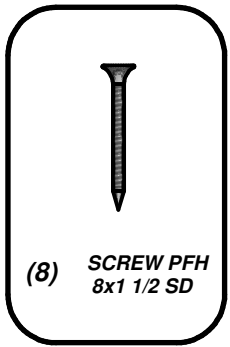
T-NUT 5/16 SD
(2 PLCS)



EXTERIOR VIEW
(LEFT ROOF OUTER TRUSSES)
LARGE FORT



(2) H34 - ROOF RAIL - W4L08767
1"x3"x34 7/8" (24x76x886)



(8) SCREW PFH
8x1 1/2 SD

STEP 39

FIG. 1

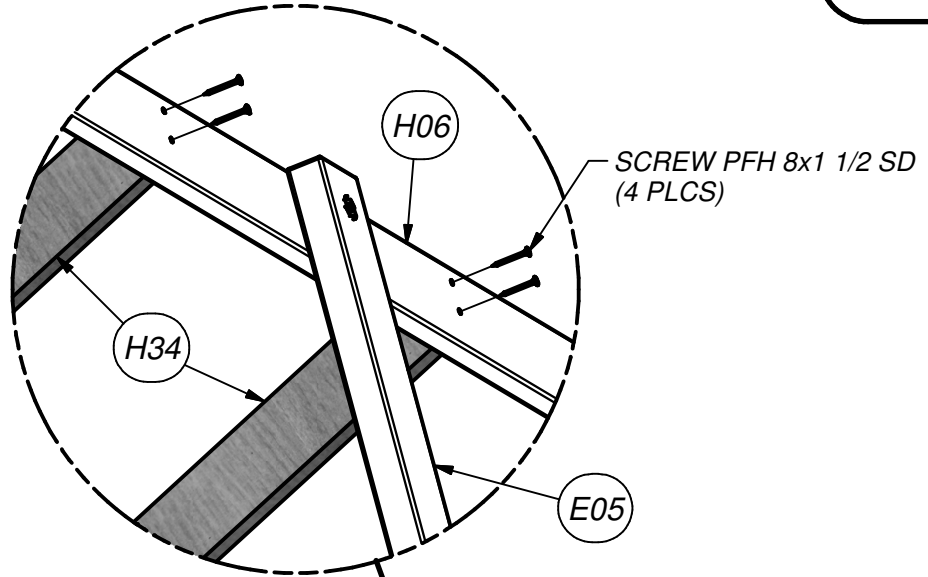
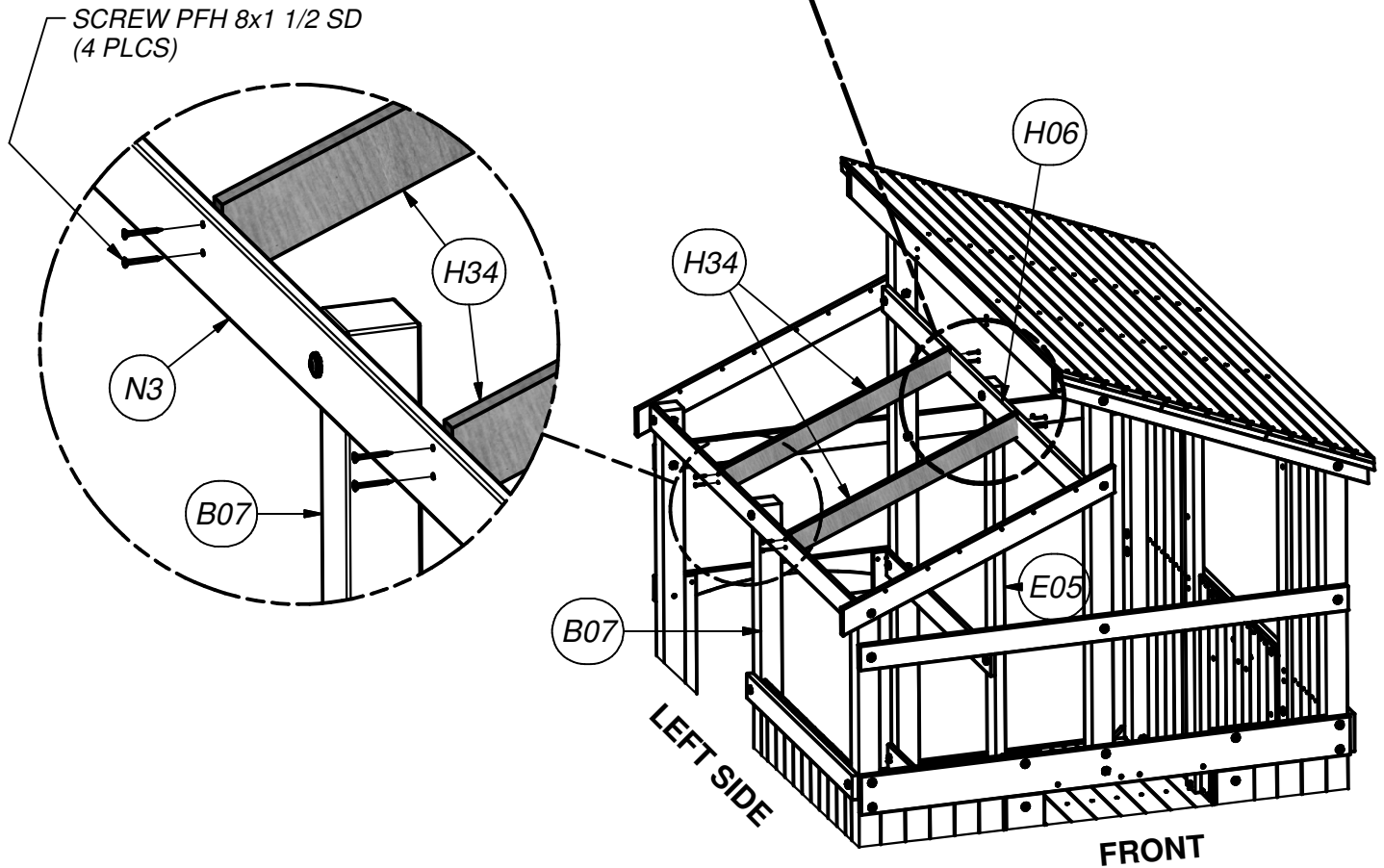


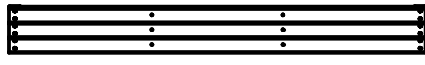
FIG. 2



**INTERIOR VIEW
(CENTER WALL)
LARGE FORT**



(1) RP4 - ROOF PANEL - W2A02514
1 9/16"x15 3/4"x86 7/8" (40x400x2206)



(1) RP6 - ROOF PANEL - W2A02516
1 9/16"x9 11/16"x86 7/8" (40x246x2206)



(1) RP7 - ROOF PANEL - W2A02517
1 9/16"x12 11/16"x86 7/8" (40x322x2206)

STEP 40

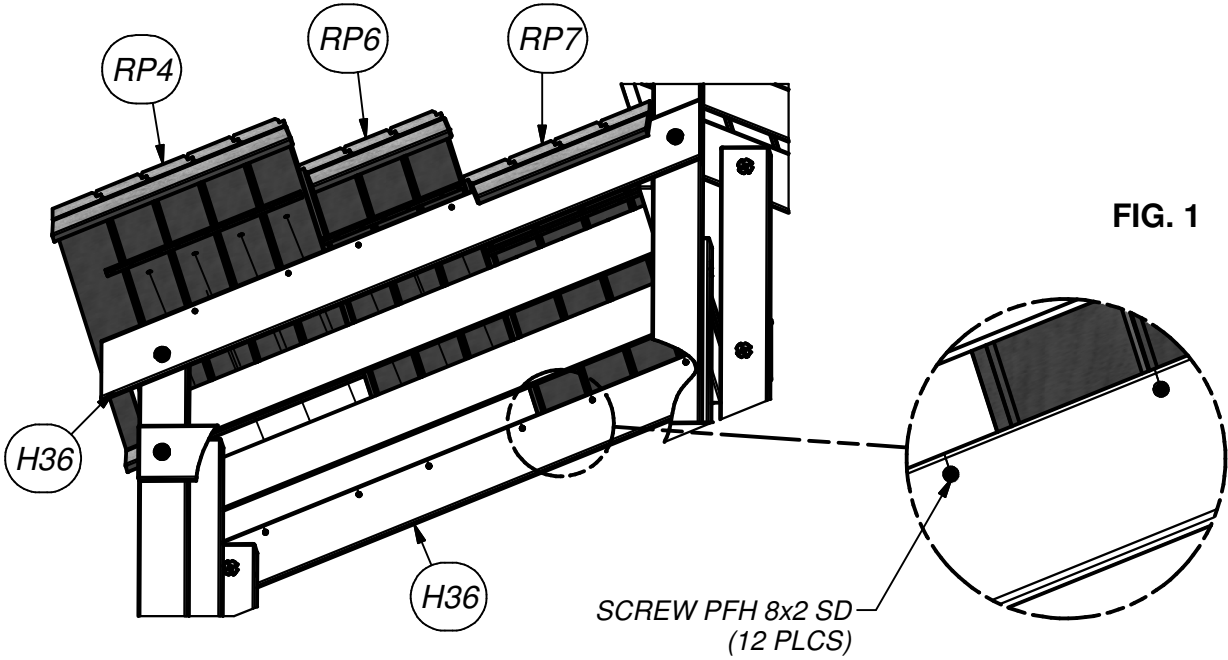
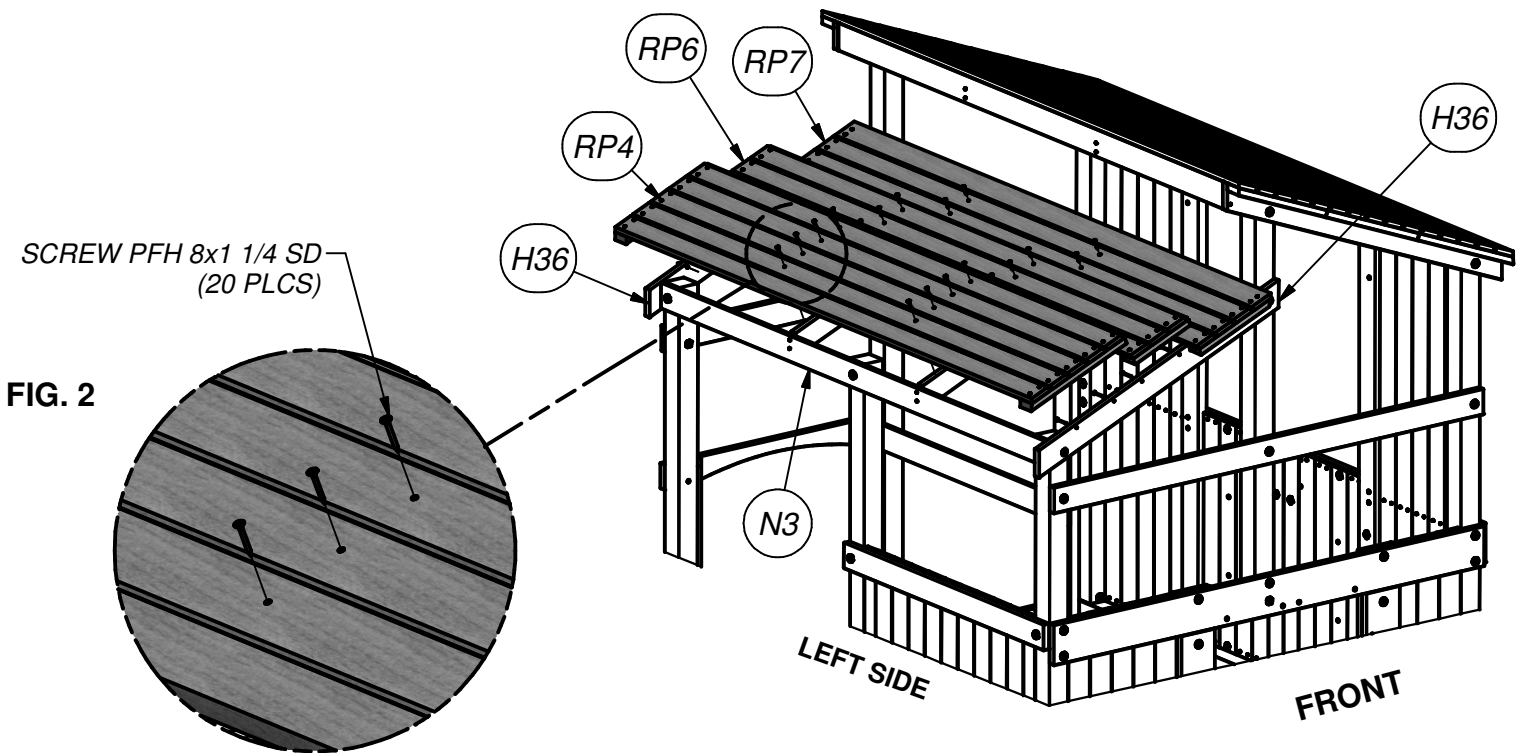
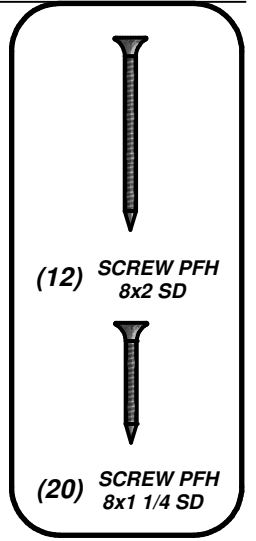
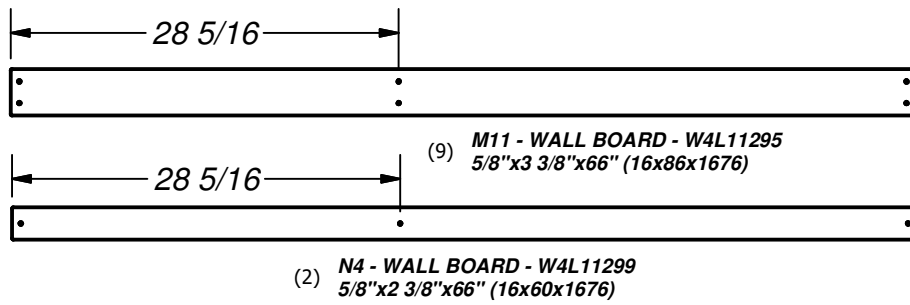


FIG. 1

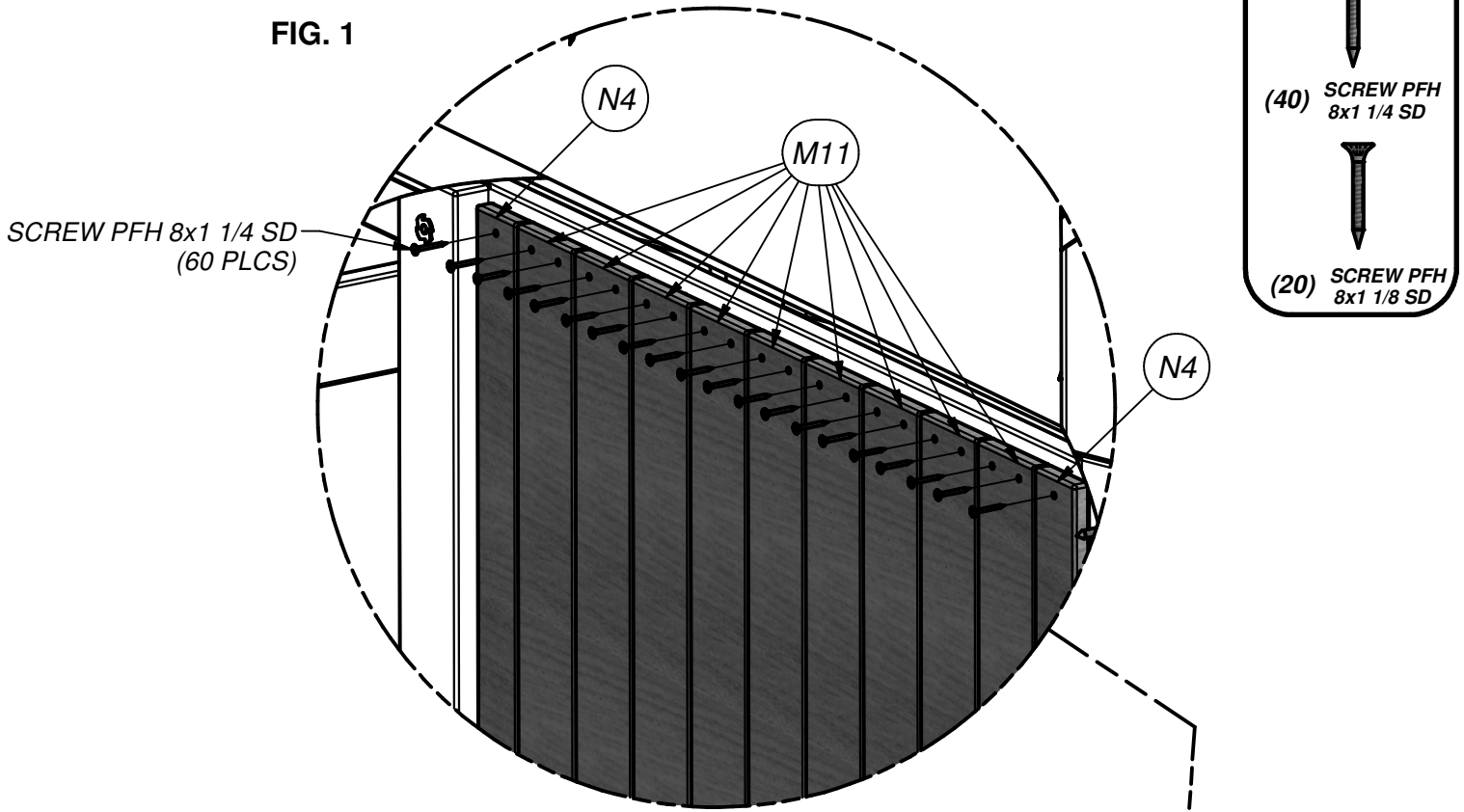


**INTERIOR VIEW
(BACK UPPER RIGHT PANEL)
LARGE FORT**



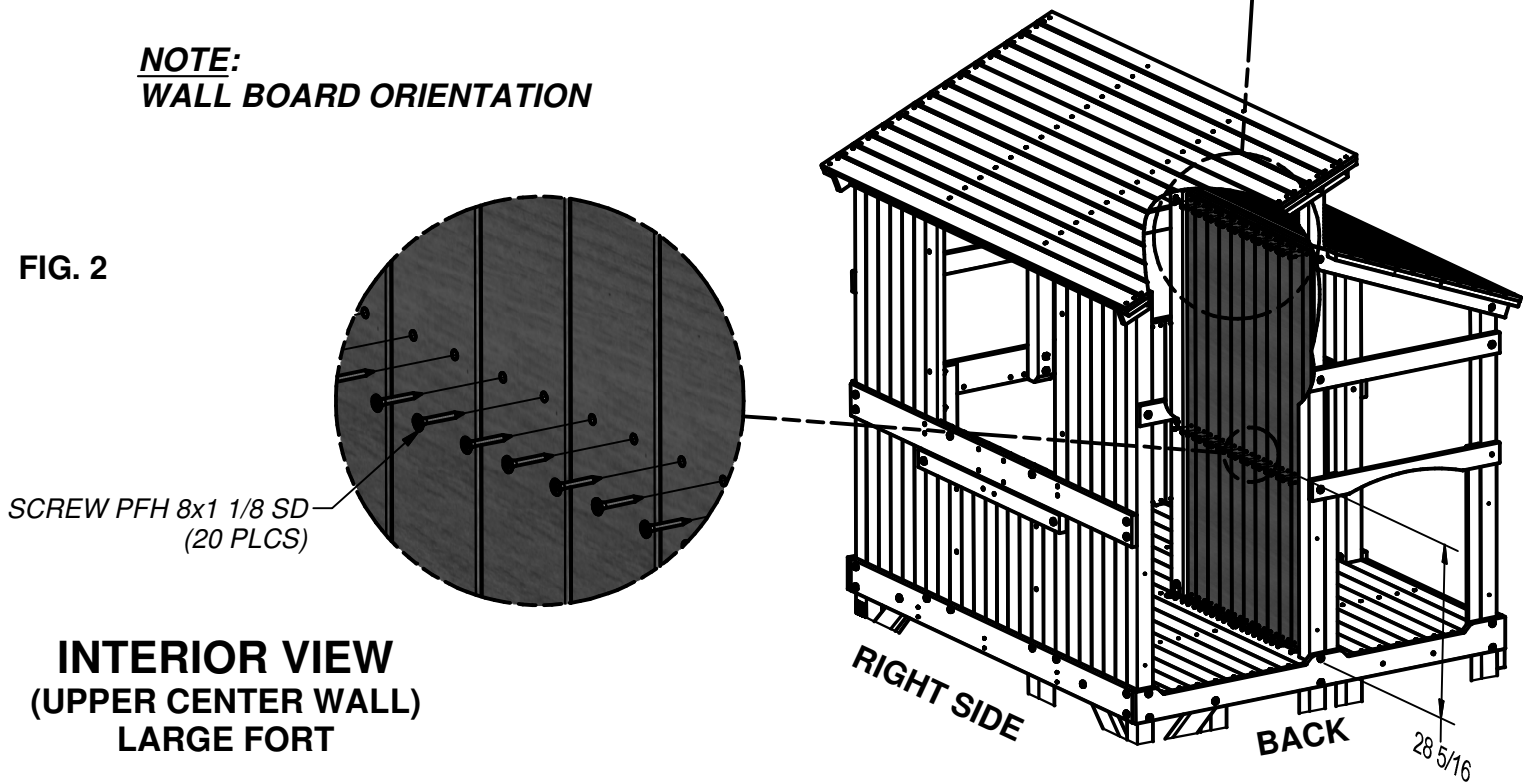
STEP 41

FIG. 1



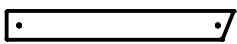
NOTE:
WALL BOARD ORIENTATION

FIG. 2



**INTERIOR VIEW
(UPPER CENTER WALL)
LARGE FORT**

(2) **M20 - WALL BOARD - W4L11294**
5/8"x3 3/8"x22 3/4" (16x86x578)



(2) **M21 - WALL BOARD - W4L11375**
5/8"x2 5/8"x21 3/8" (16x68x542)

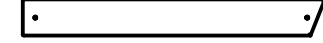


(2) **M31 - WALL BOARD - W4L11387**
5/8"x3 3/8"x24 1/8" (16x86x614)

(2) **M26 - WALL BOARD - W4L11381**
5/8"x2 5/8"x32 1/4" (16x68x820)

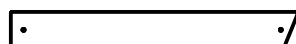


(2) **M27 - WALL BOARD - W4L11382**
5/8"x3 3/8"x31 1/8" (16x86x792)



(2) **M49 - WALL BOARD - W4L11384**
5/8"x3 3/8"x28 3/8" (16x86x720)

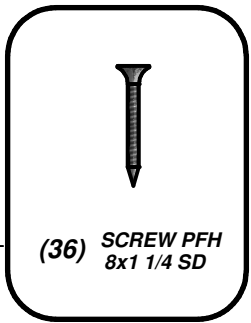
(2) **M28 - WALL BOARD - W4L11383**
5/8"x3 3/8"x29 3/4" (16x86x757)



(2) **M29 - WALL BOARD - W4L11385**
5/8"x3 3/8"x27" (16x86x685)



(2) **M30 - WALL BOARD - W4L11386**
5/8"x3 3/8"x25 5/8" (16x86x650)



STEP 42

NOTE:
WALL BOARDS
EVENLY SPACED

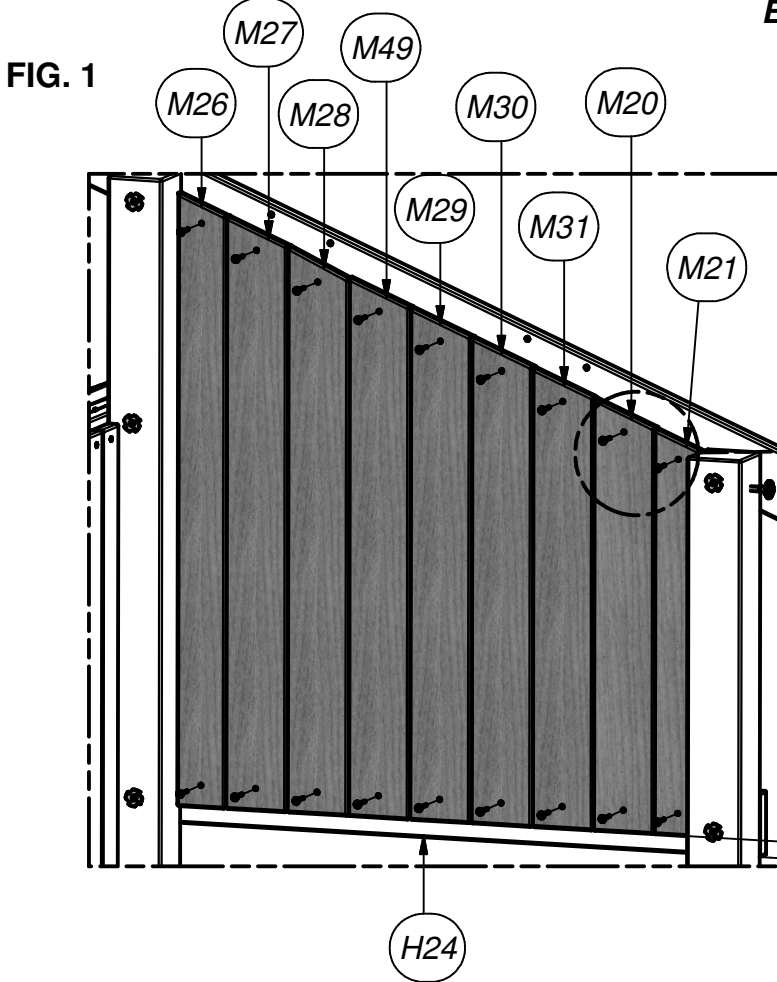
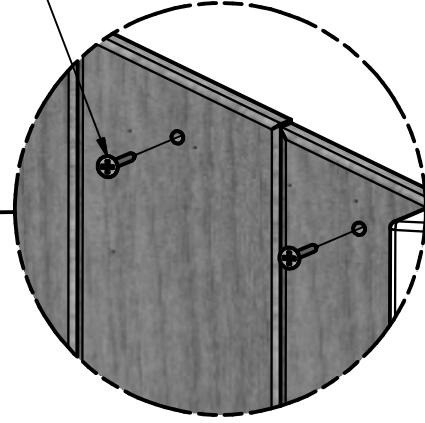
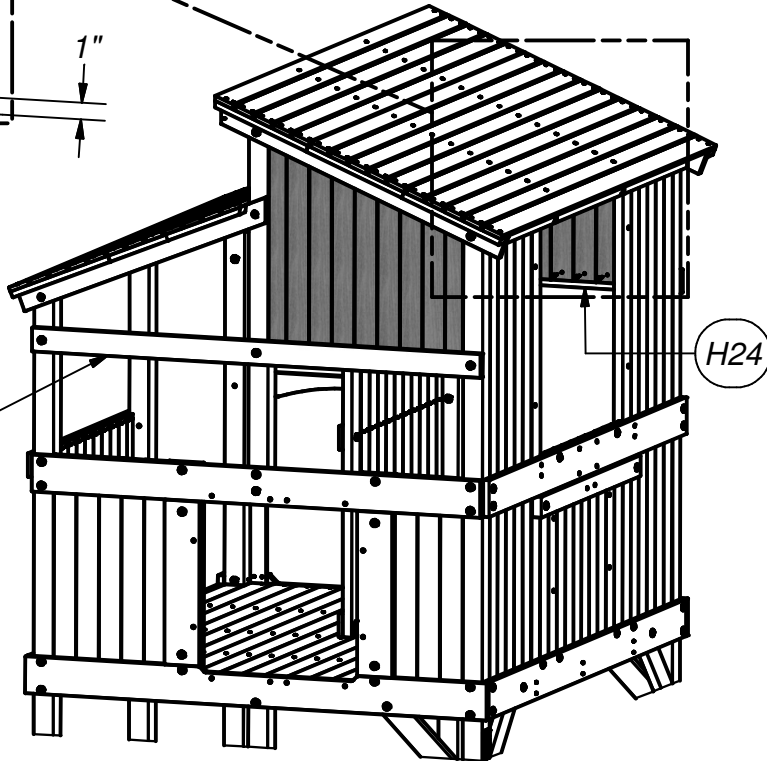


FIG. 2

SCREW PFH 8x1 1/4 SD
(36 PLCS)



NOTE:
REPEAT FOR FRONT
RIGHT SIDE GABLE



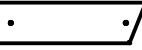
INTERIOR VIEW
(RIGHT SIDE GABLES)
LARGE FORT

FRONT

(2) M23 - WALL BOARD - W4L08765
5/8"x2 5/8"x9 5/8" (16x68x246)

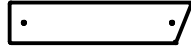


(2) M37 - WALL BOARD - W4L11394
5/8"x3 3/8"x11 1/8" (16x86x281)



(2) M36 - WALL BOARD - W4L11393
5/8"x3 3/8"x12 1/2" (16x86x316)

(2) M35 - WALL BOARD - W4L11392
5/8"x3 3/8"x13 7/8" (16x86x351)

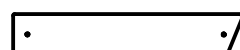


(2) M50 - WALL BOARD - W4L11391
5/8"x3 3/8"x15 1/4" (16x86x386)

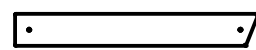


(2) M34 - WALL BOARD - W4L11390
5/8"x3 3/8"x16 1/2" (16x86x420)

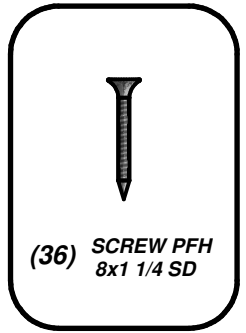
(2) M33 - WALL BOARD - W4L11389
5/8"x3 3/8"x17 7/8" (16x86x454)



(2) M32 - WALL BOARD - W4L11388
5/8"x3 3/8"x19 1/4" (16x86x488)



(2) M19 - WALL BOARD - W4L08764
5/8"x2 5/8"x20 3/8" (16x68x516)



STEP 43

NOTE:
WALL BOARDS
EVENLY SPACED

NOTE:
SLIDE 'M19' BETWEEN
'H06' RAIL & 'H36' TRUSS

FIG. 1

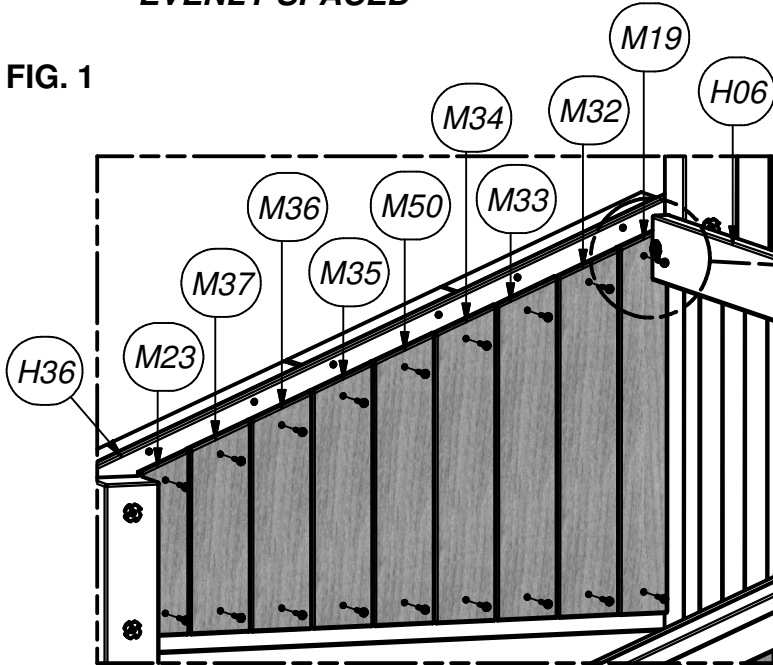
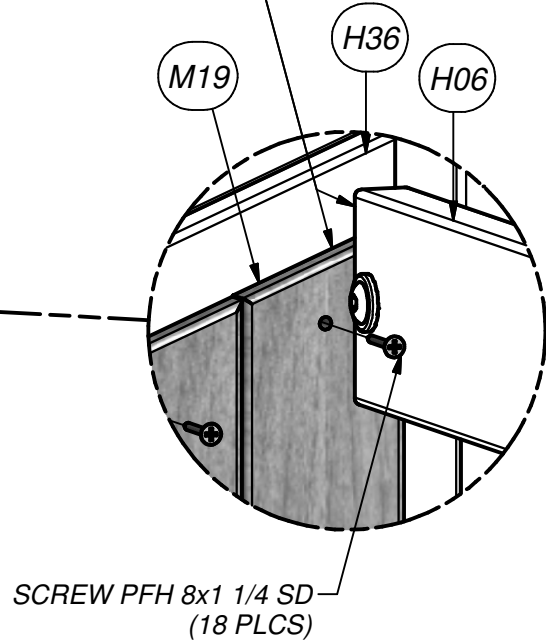
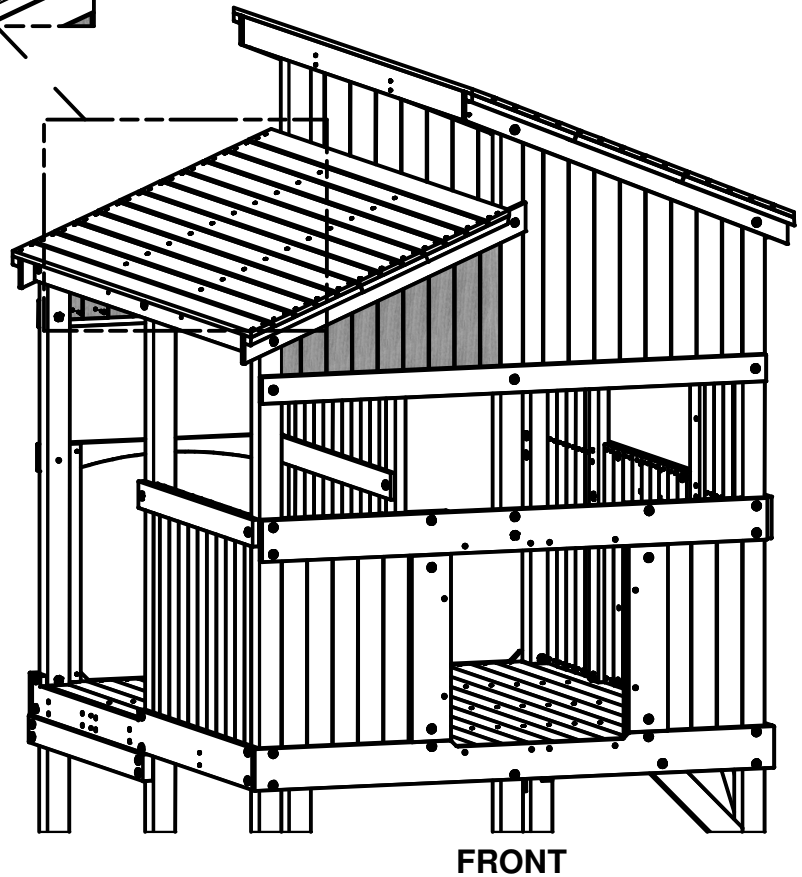


FIG. 2



NOTE:
REPEAT FOR FRONT
LEFT SIDE GABLE

**INTERIOR VIEW
(LEFT SIDE GABLES)
LARGE FORT**





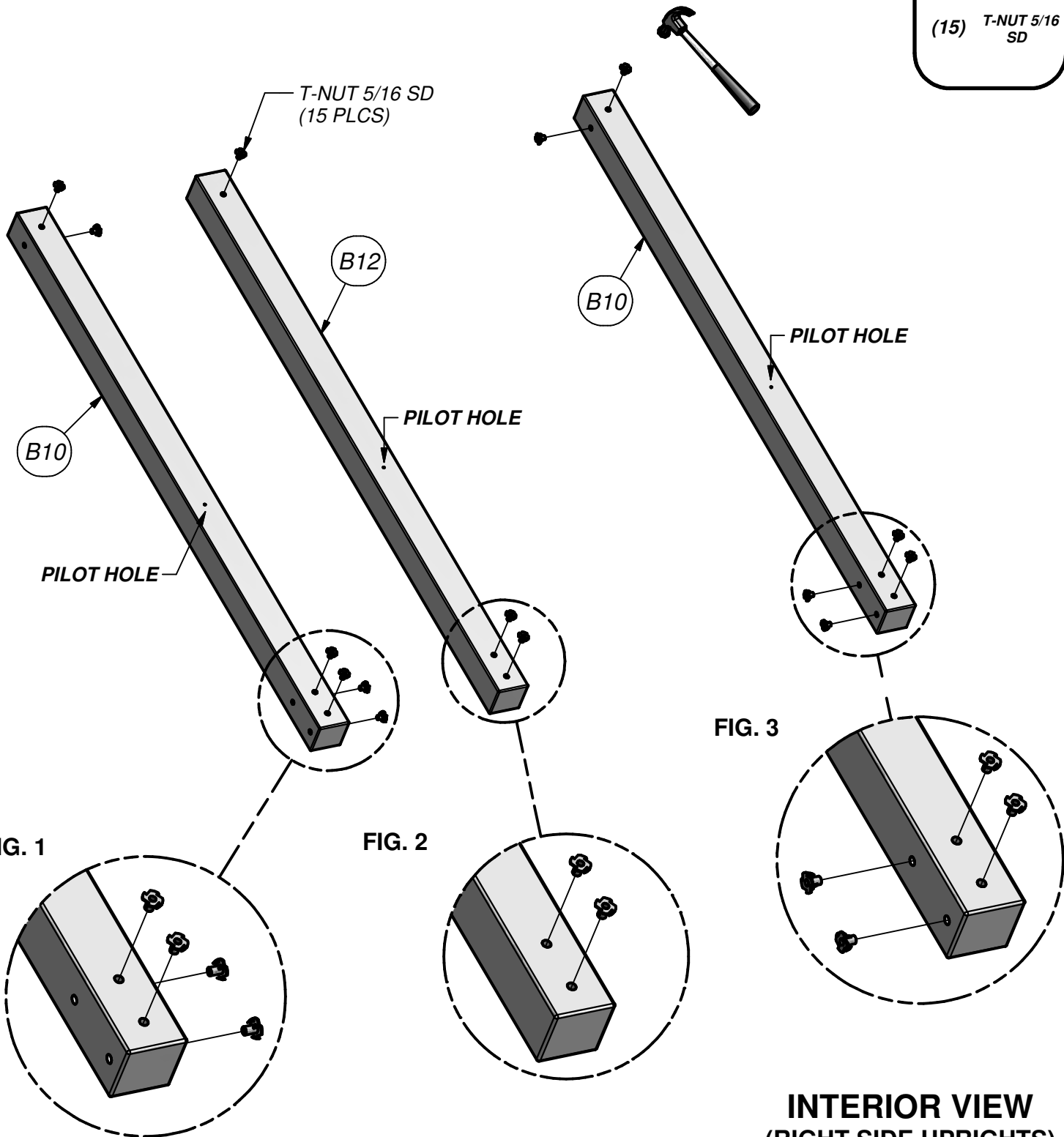
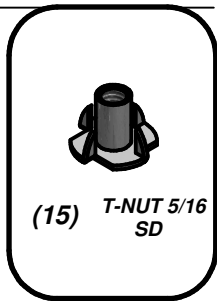
(1) B12 - UPRIGHT - W4L11321
3"x3"x59" (76x76x1500)



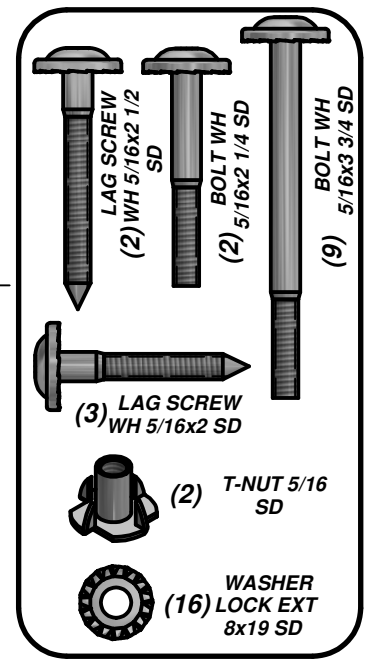
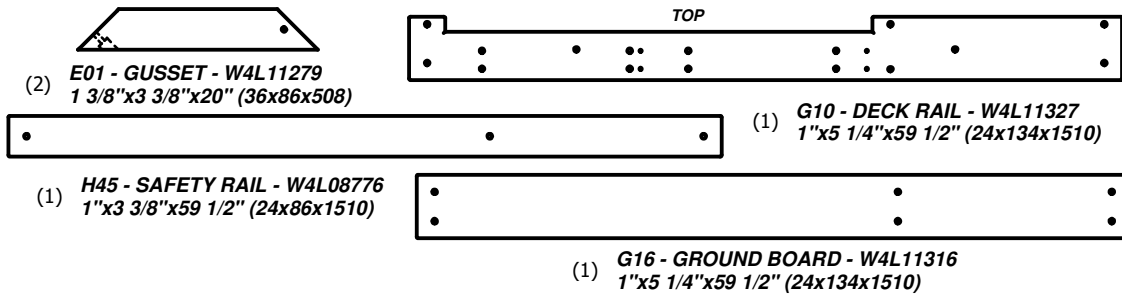
(2) B10 - UPRIGHT - W4L11320
3"x3"x59" (76x76x1500)

STEP 44

**NOTE:
UPRIGHT ORIENTATION**

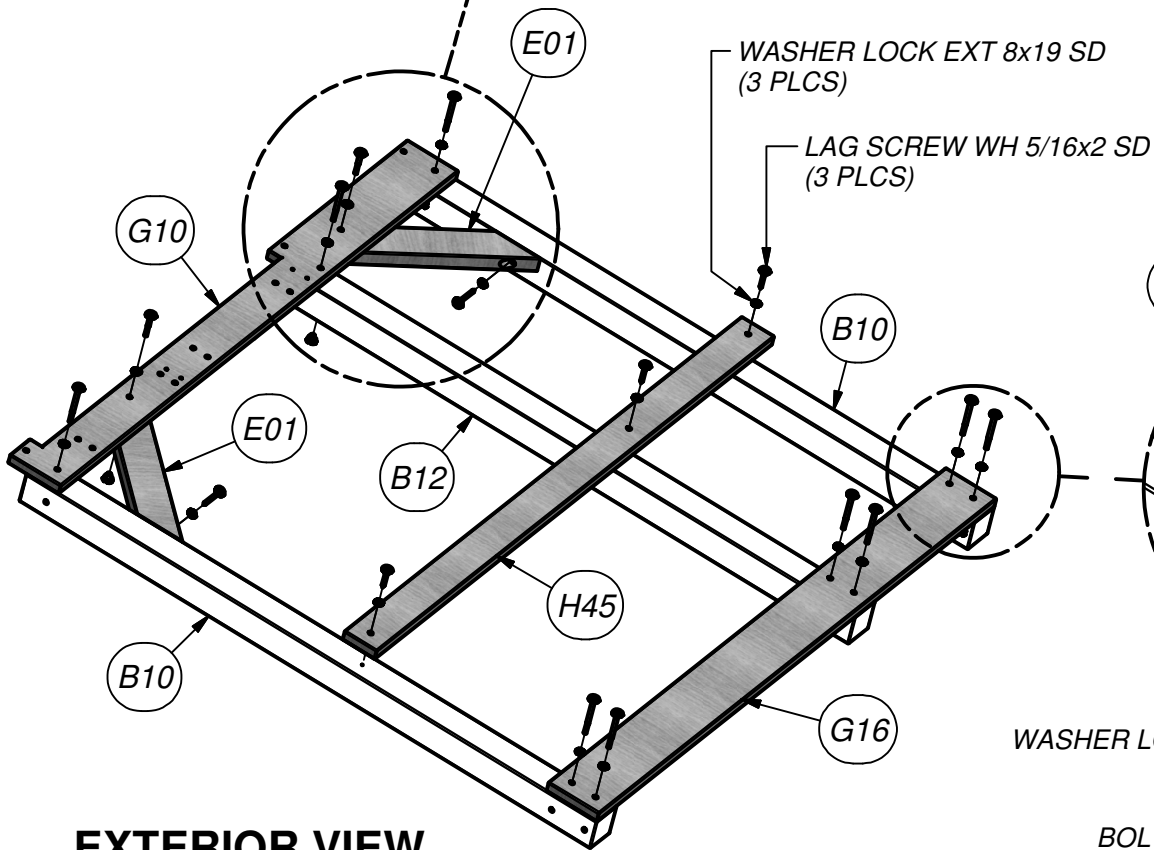
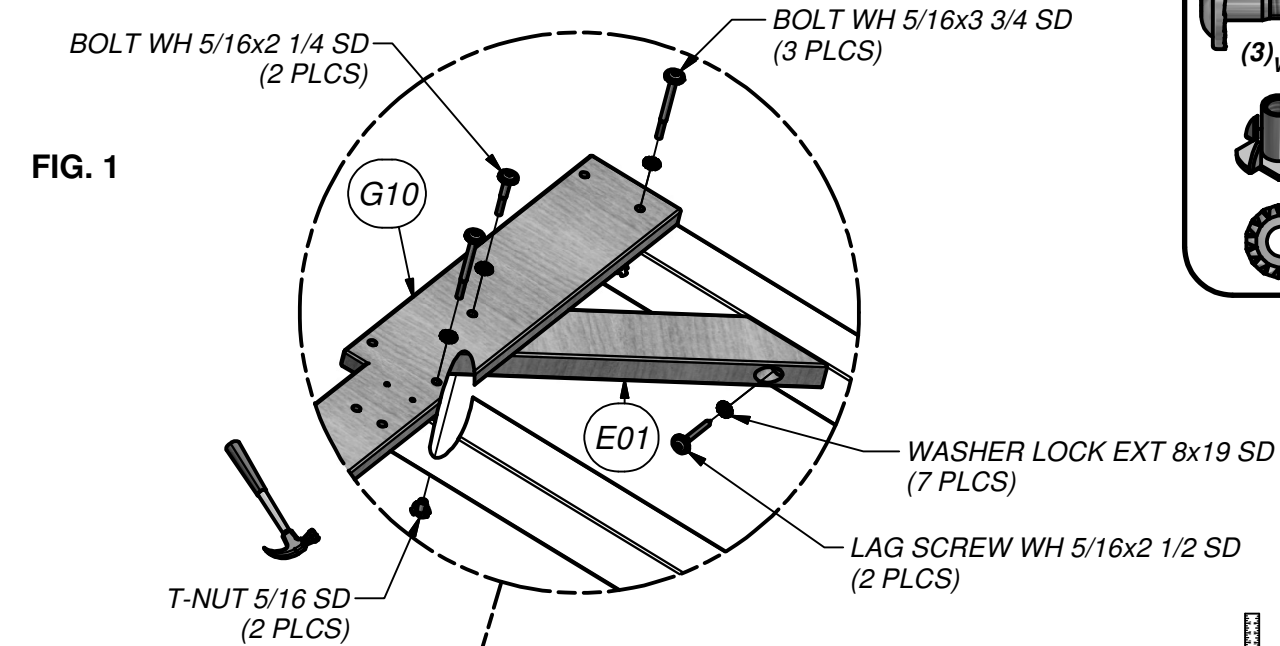


**INTERIOR VIEW
(RIGHT SIDE UPRIGHTS)
SMALL FORT**



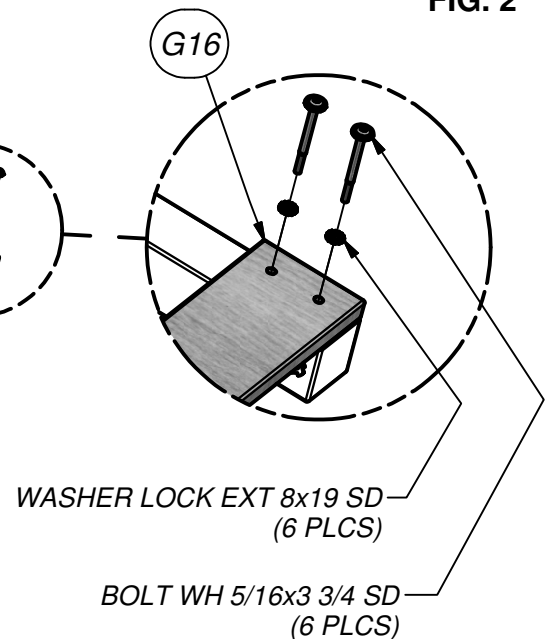
STEP 45

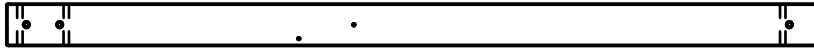
FIG. 1



**EXTERIOR VIEW
(RIGHT SIDE WALL)
SMALL FORT**

FIG. 2





(2) B19 - UPRIGHT - W4L08785
3"x3"x59" (76x76x1500)

STEP 46

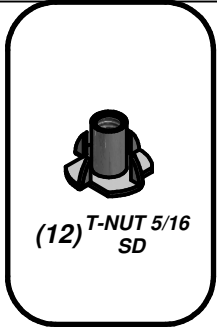


FIG. 1

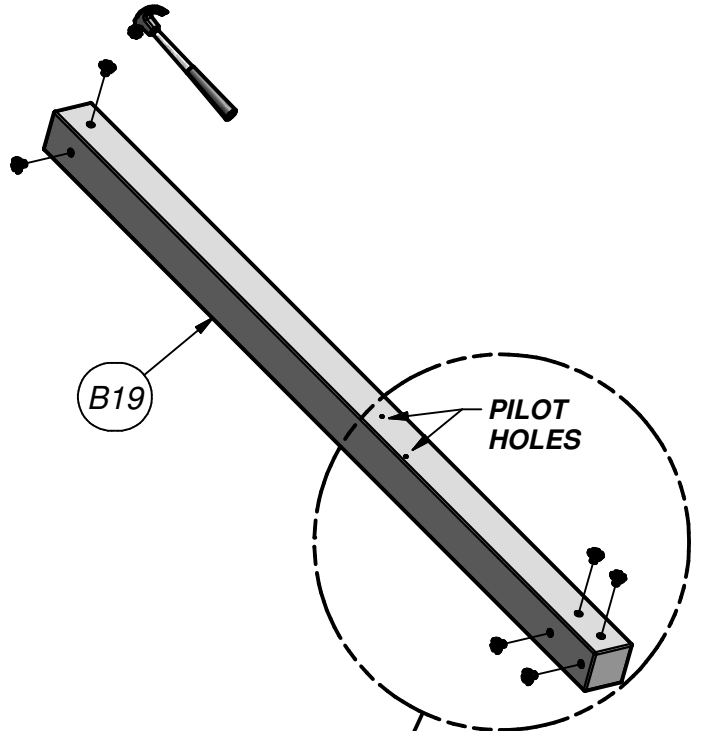
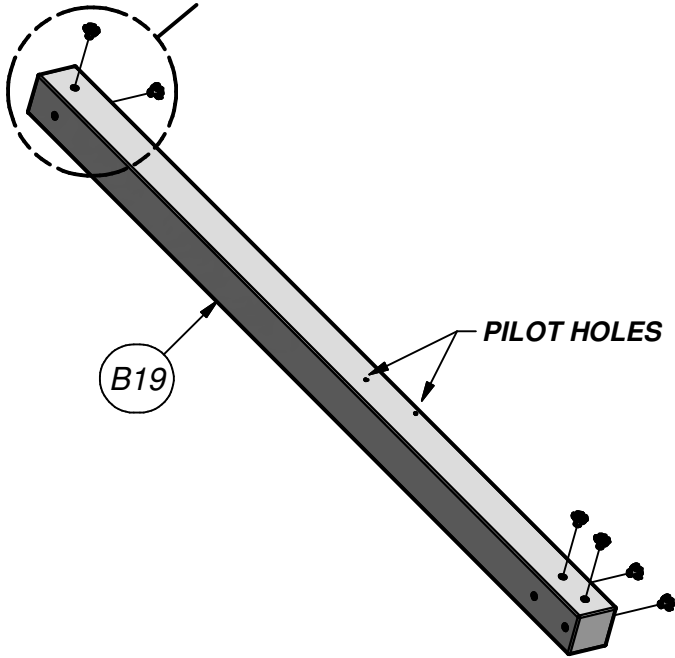
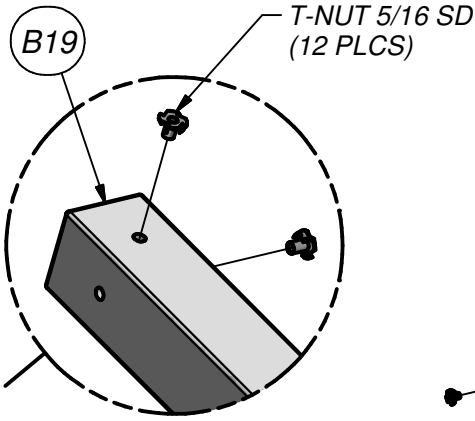
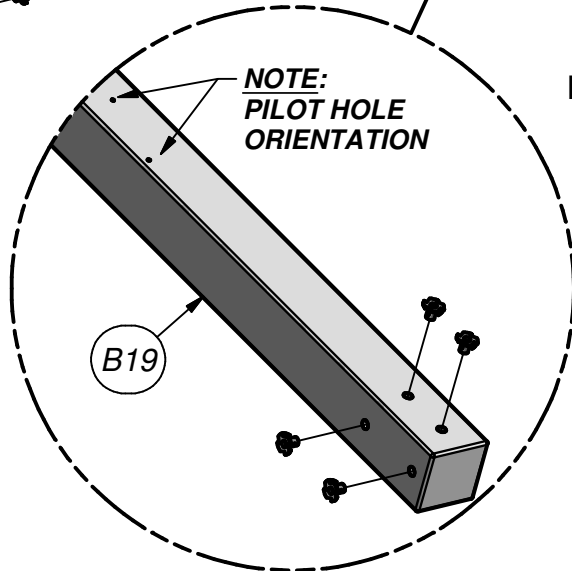
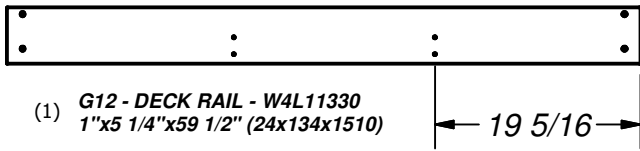


FIG. 2



**NOTE:
UPRIGHT ORIENTATION**

**INTERIOR VIEW
(CENTER SIDE UPRIGHTS)
SMALL FORT**



(1) G18 - GROUND BOARD - W4L11317
1"x5 1/4"x59 1/2" (24x134x1510)



(1) H29 - RAIL - W4L11325
1"x3 3/8"x59 1/2" (24x86x1510)

STEP 47

FIG. 1

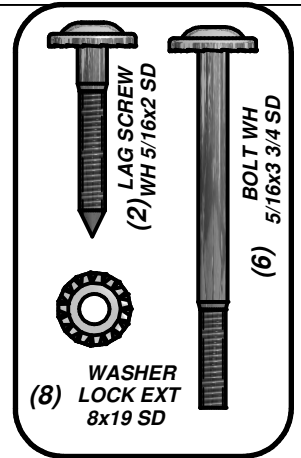
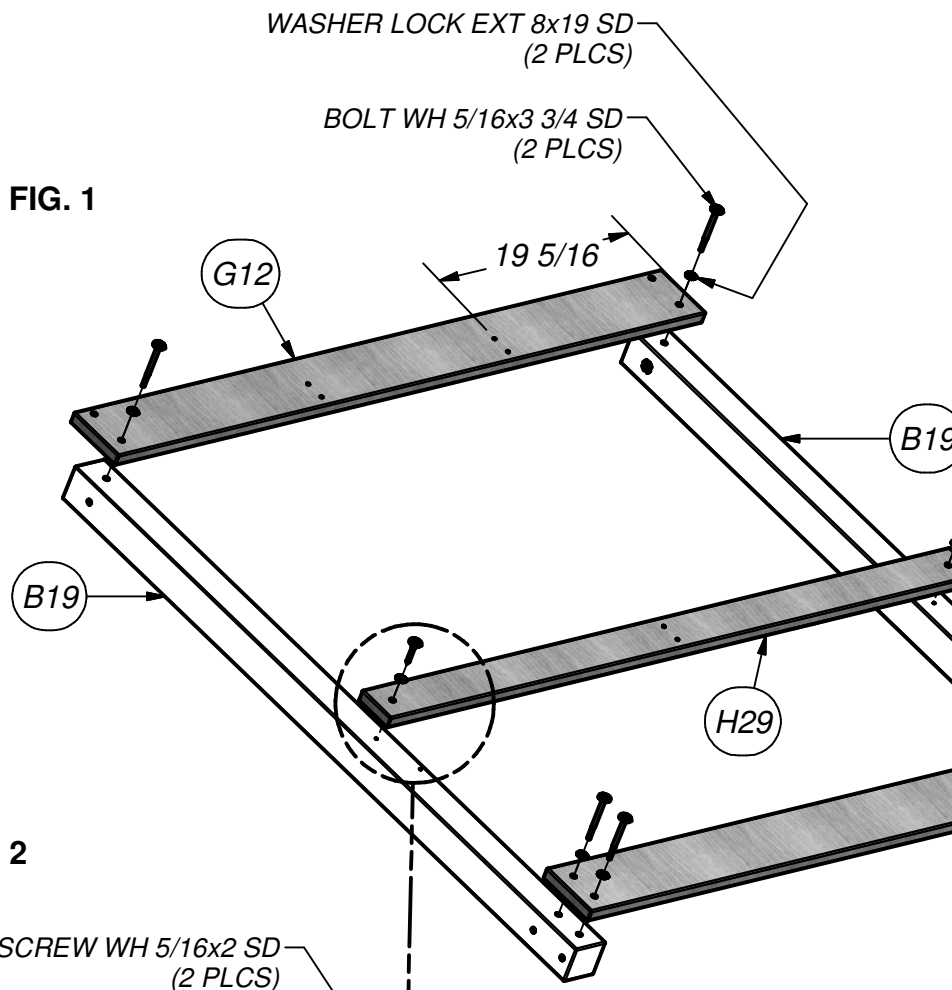


FIG. 2

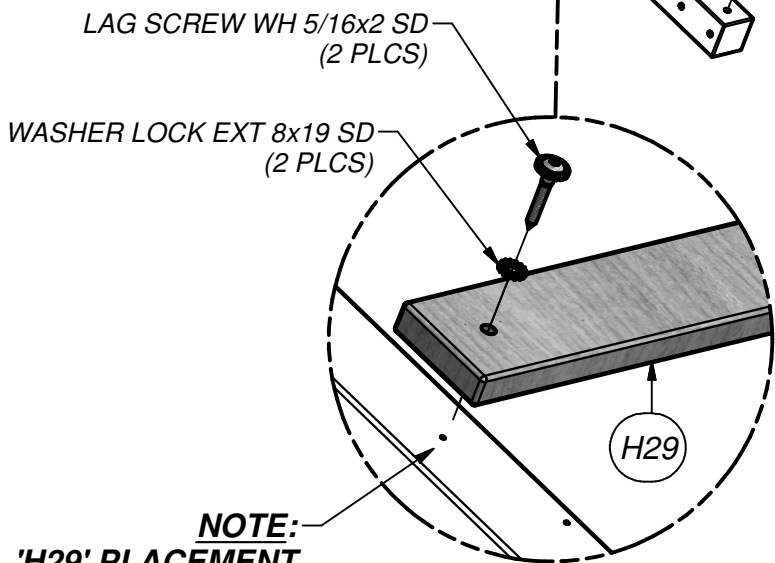
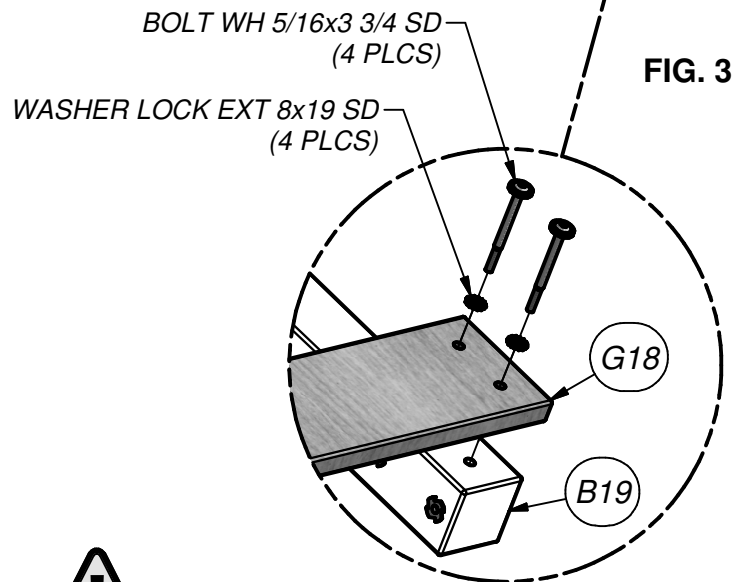


FIG. 3



EXTERIOR VIEW
(CENTER WALL RAILS)
SMALL FORT

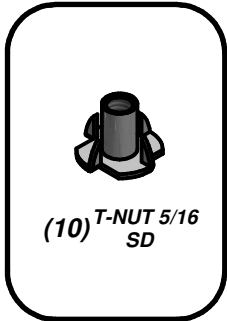




(2) **B11 - UPRIGHT - W4L11319**
3"x3"x72 3/4" (76x76x1848)



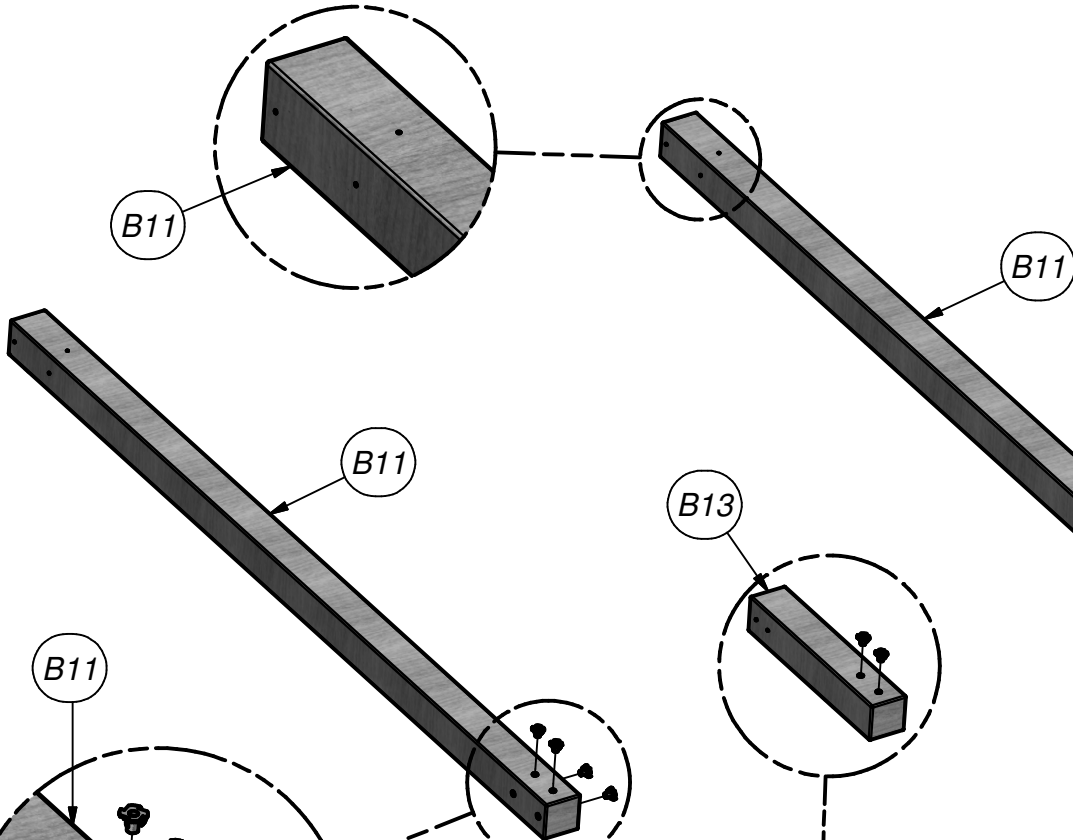
(1) **B13 - UPRIGHT - W4L11323**
3"x3"x16 1/2" (76x76x420)



STEP 48

NOTE:
'B11' ORIENTATION
(2 PLCS)

FIG. 1



T-NUT 5/16 SD
(10 PLCS)

FIG. 2

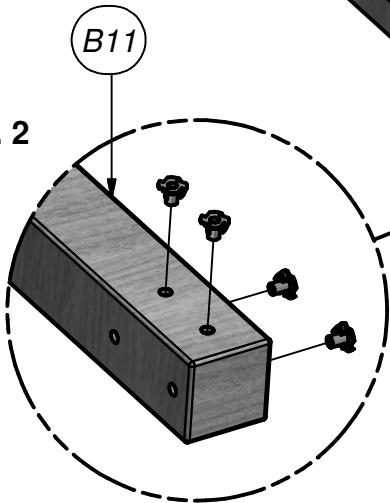
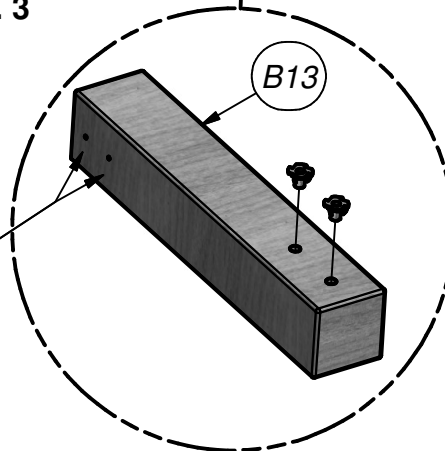
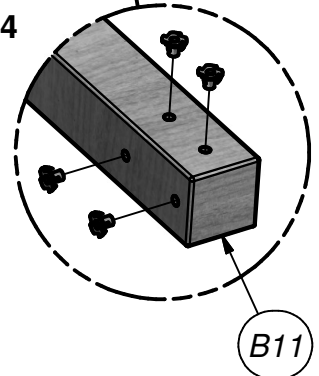


FIG. 3

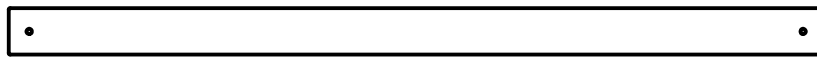


NOTE:
ORIENTATION OF PILOT HOLES

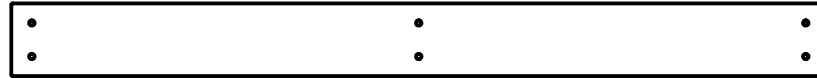
FIG. 4



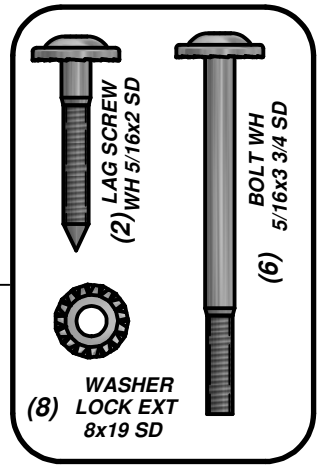
EXTERIOR VIEW
(LEFT SIDE UPRIGHTS)
SMALL FORT



(1) M06 - WALL RAIL - W4L11353
5/8"x3 3/8"x59 1/2" (16x86x1510)

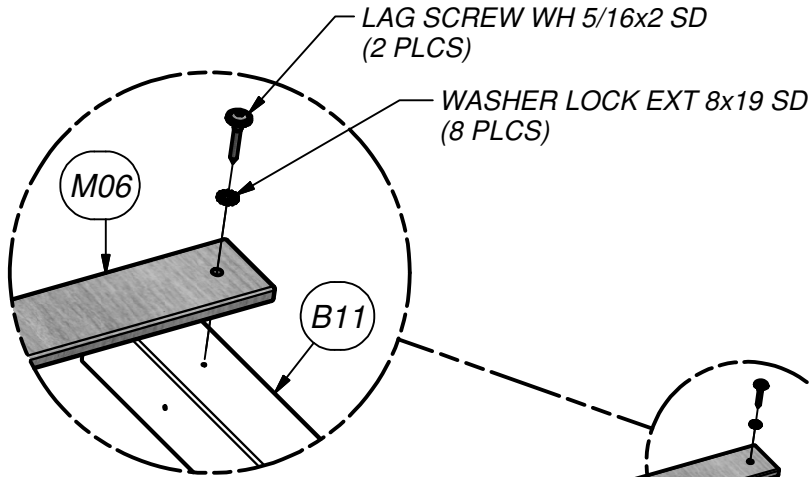


(1) G17 - GROUND BOARD - W4L11322
1"x5 1/4"x59 1/2" (24x134x1510)



STEP 49

FIG. 1



LAG SCREW WH 5/16x2 SD
(2 PLCS)

WASHER LOCK EXT 8x19 SD
(8 PLCS)

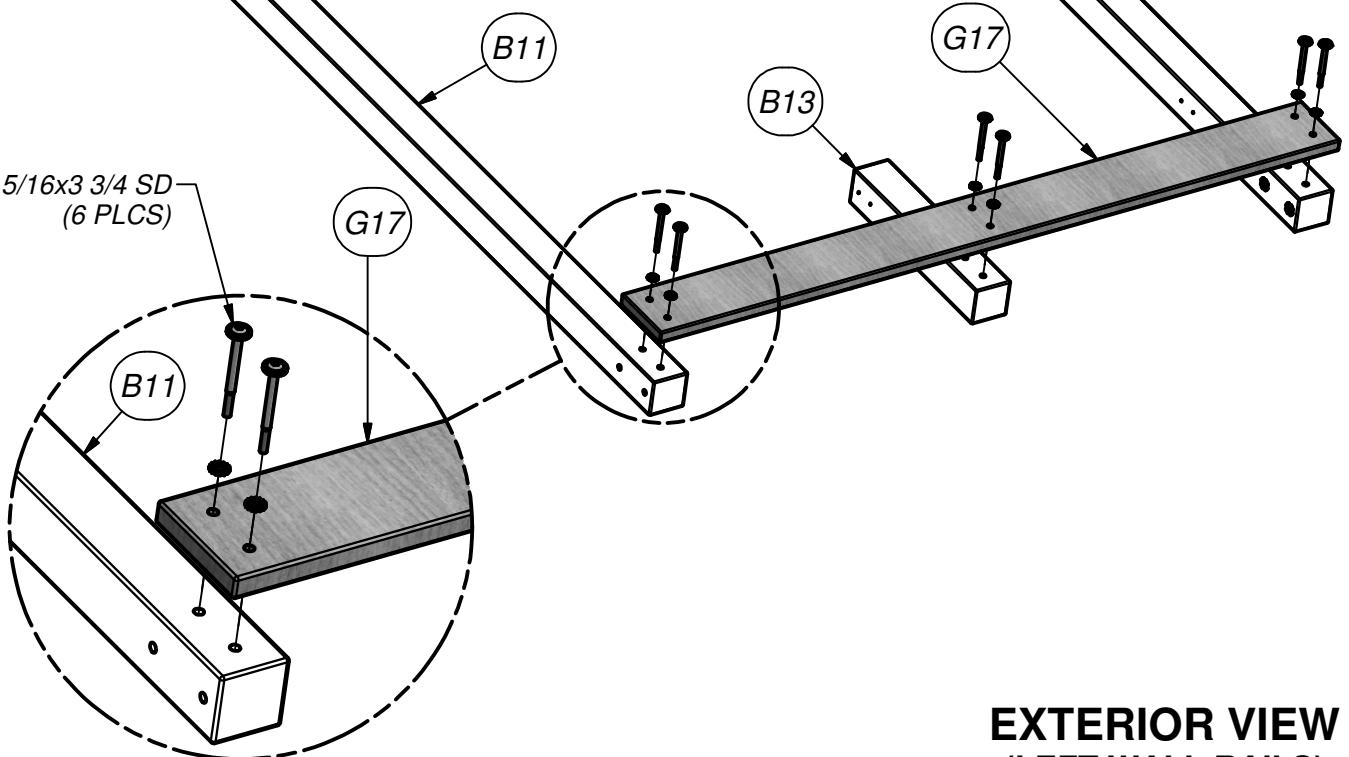
M06

B11



BOLT WH 5/16x3 3/4 SD
(6 PLCS)

FIG. 2



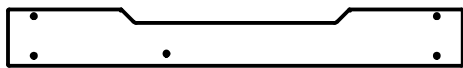
G17

B11

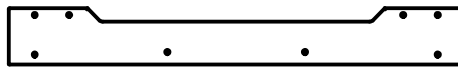
B13

G17

**EXTERIOR VIEW
(LEFT WALL RAILS)
SMALL FORT**



(1) G11 - DECK RAIL - W4L11329
1"x5 1/4"x42 5/8" (24x134x1084)



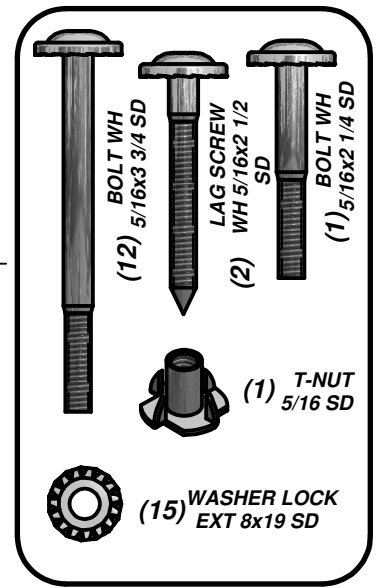
(1) G09 - DECK RAIL - W4L11328
1"x5 1/4"x42 5/8" (24x134x1084)



(2) E01 - GUSSET - W4L11279
1 3/8"x3 3/8"x20" (36x86x508)



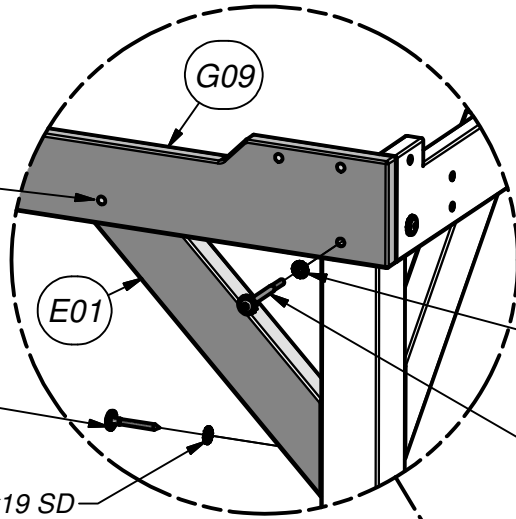
(2) G15 - GROUND BOARD - W4L11318
1"x5 1/4"x62 7/8" (24x134x1598)



STEP 50

FIG. 2

**NOTE:
NO HARDWARE
HERE IN THIS STEP**



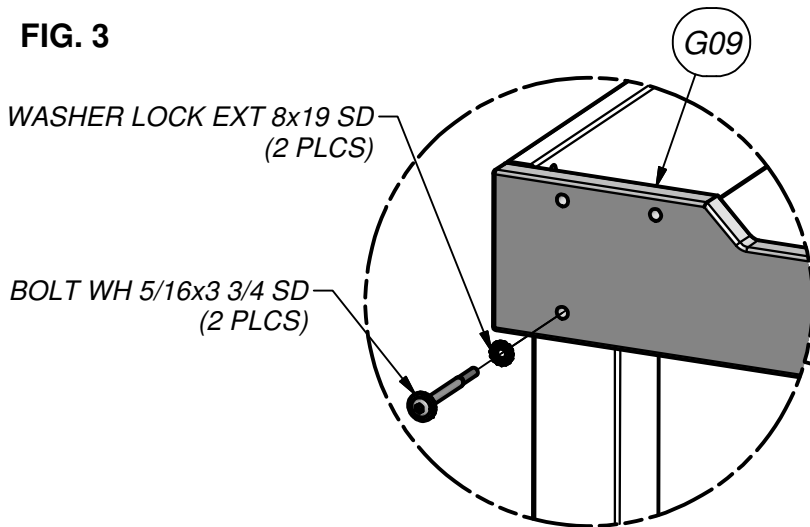
LAG SCREW WH 5/16x2 1/2 SD
(2 PLCS)

WASHER LOCK EXT 8x19 SD
(2 PLCS)

WASHER LOCK EXT 8x19 SD
(2 PLCS)

BOLT WH 5/16x3 3/4 SD
(2 PLCS)

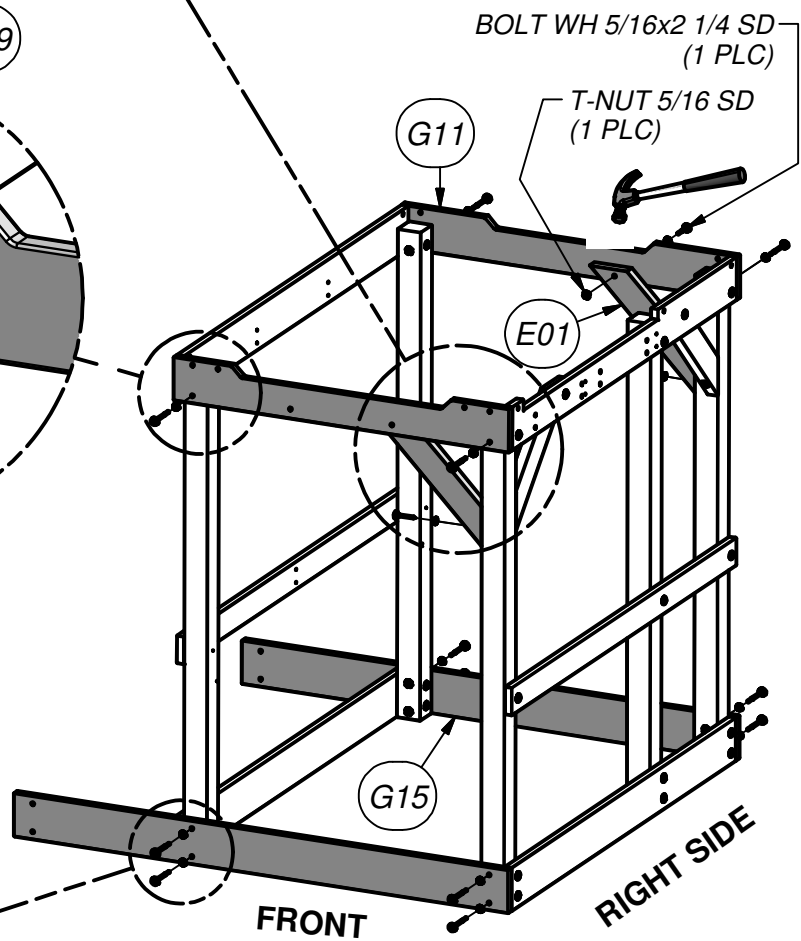
FIG. 3



WASHER LOCK EXT 8x19 SD
(2 PLCS)

BOLT WH 5/16x3 3/4 SD
(2 PLCS)

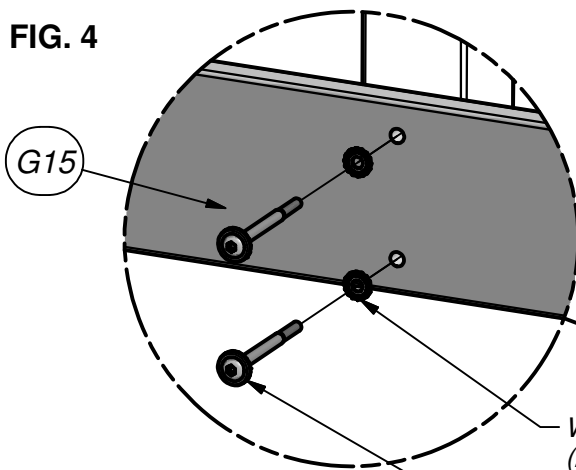
FIG. 1



BOLT WH 5/16x2 1/4 SD
(1 PLC)

T-NUT 5/16 SD
(1 PLC)

FIG. 4



WASHER LOCK EXT 8x19 SD
(2 PLCS)

BOLT WH 5/16x3 3/4 SD
(2 PLCS)

FRONT

RIGHT SIDE

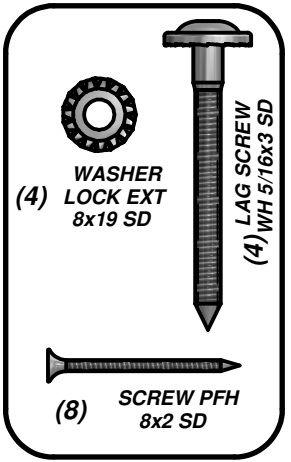
**EXTERIOR VIEW
(FRONT & BACK ATTACHMENT)
SMALL FORT**



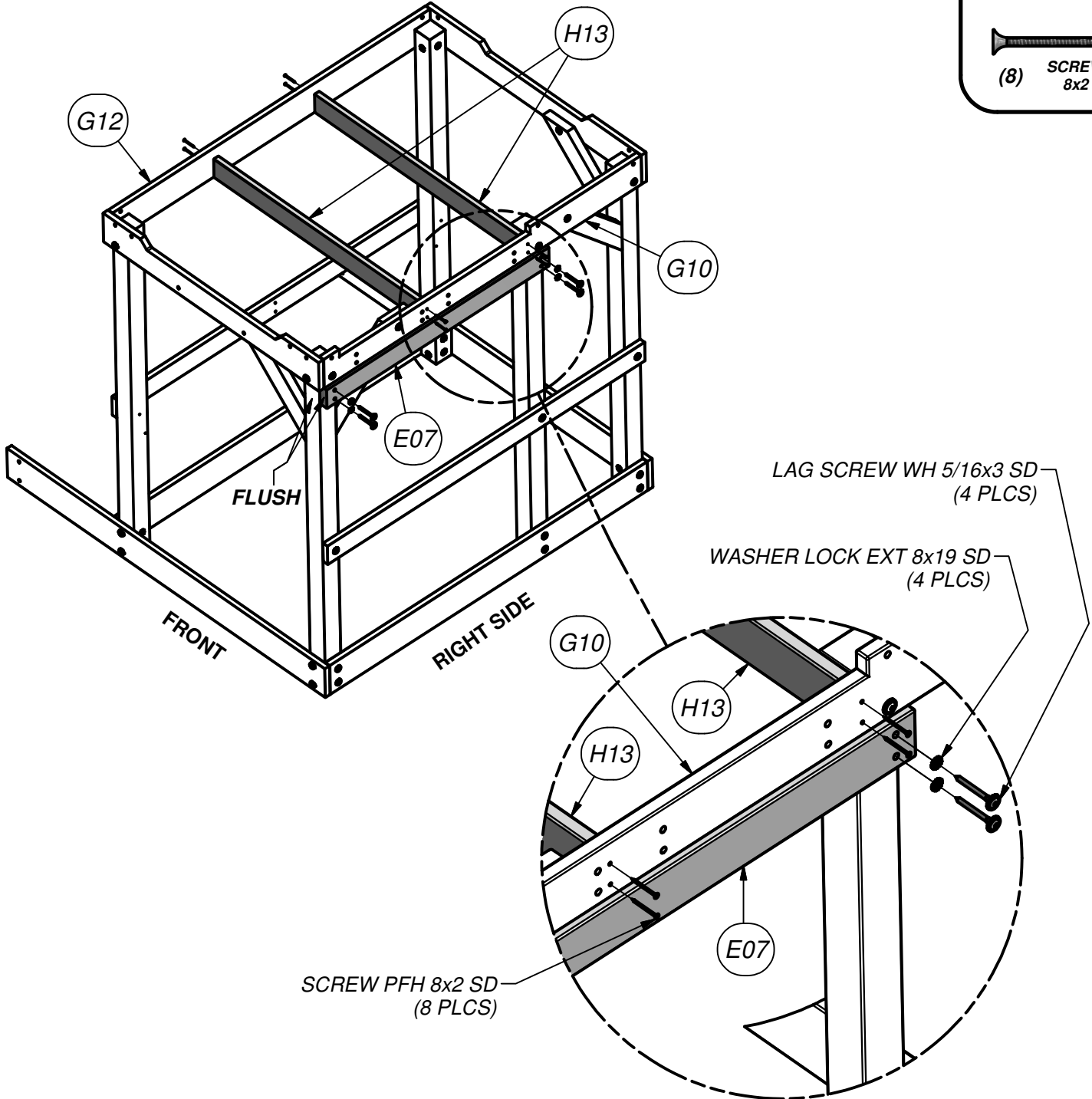
(1) **E07 - BRIDGE SUPPORT - W4L11359**
1 3/8"x3 3/8"x41 5/8" (36x86x1058)



(2) **H13 - JOIST - W4L11331**
1"x3 3/8"x40 3/4" (24x86x1036)

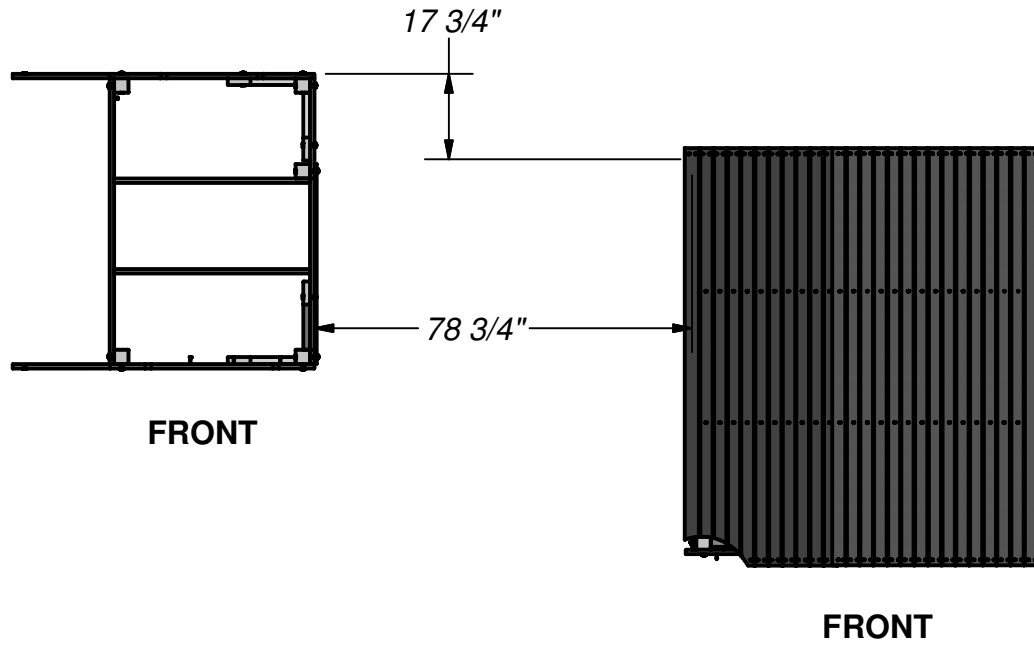


STEP 51

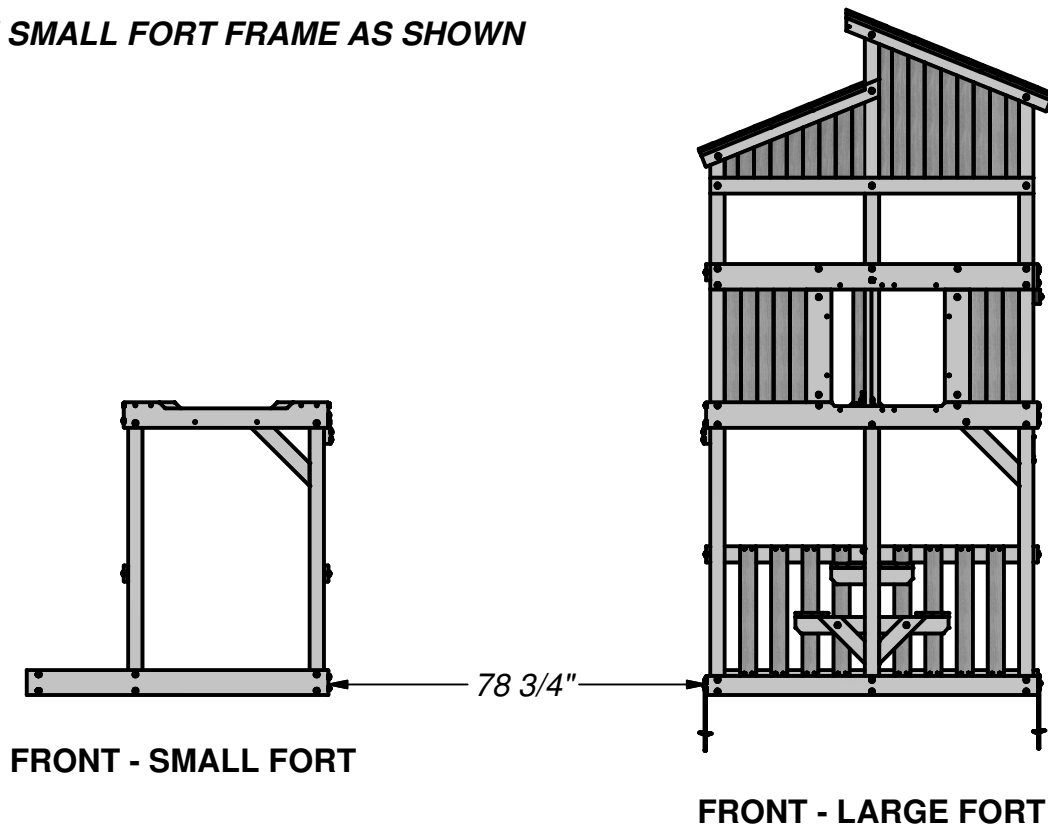


**OVERHEAD VIEW
(INNER DECK JOISTS)
SMALL FORT**

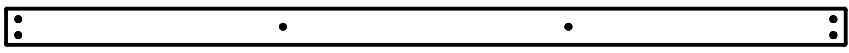
STEP 52



NOTE:
POSITION SMALL FORT FRAME AS SHOWN



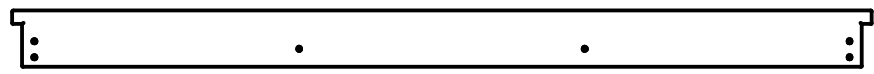
EXTERIOR VIEW
(FORT POSITIONING FOR BRIDGE)



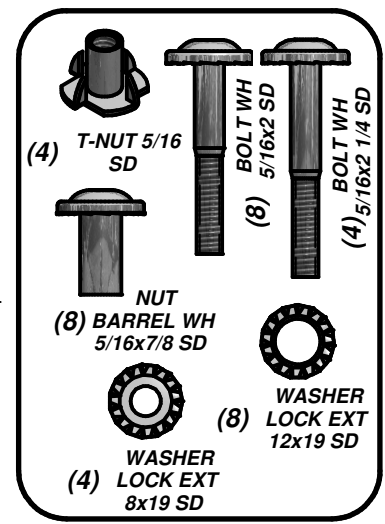
(2) E06 - BRIDGE SUPPORT - W4L11312
1 3/8"x3 3/8"x78 3/4" (36x86x2000)



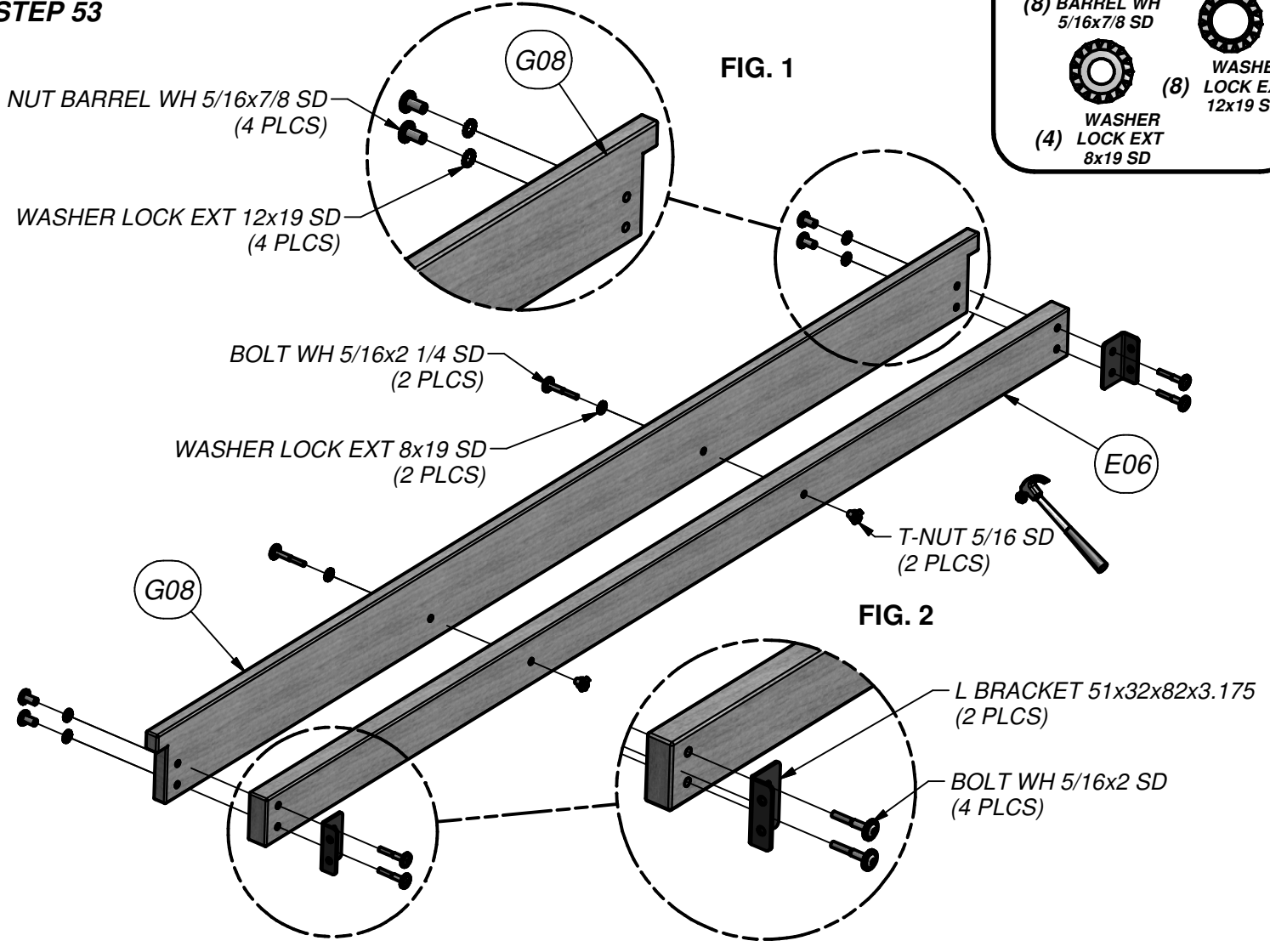
(4) WM - L BRACKET 51x32x82x3.175 - A4M00852
L BRACKET 51x32x82x3.175



(2) G08 - BRIDGE RAIL - W4L11311
1"x5 1/4"x80 5/8" (24x134x2048)

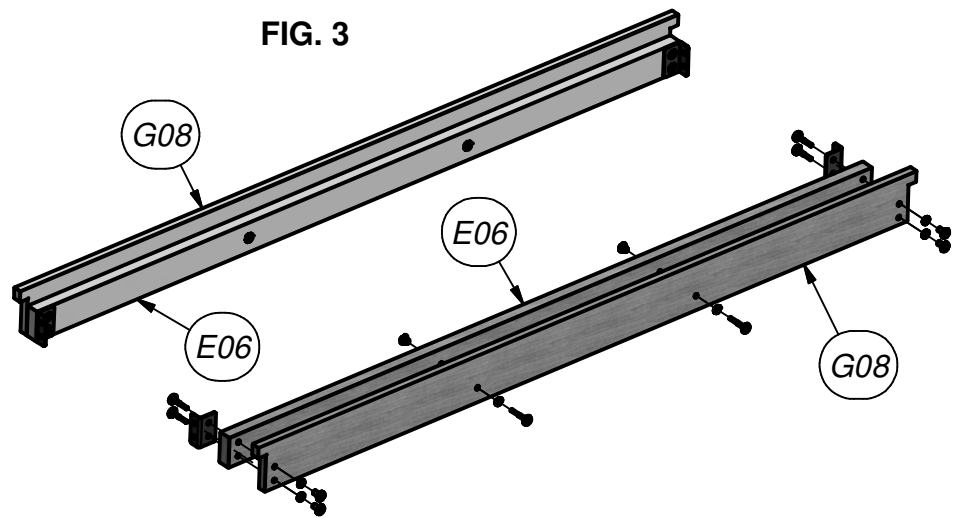


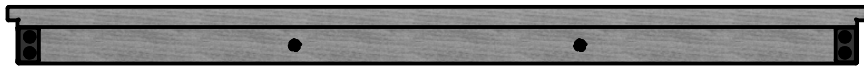
STEP 53



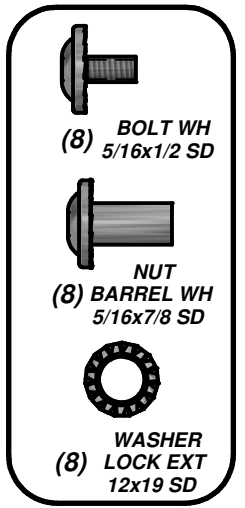
NOTE:
MAKE AN OPPOSITE
FRONT ASSEMBLY

**EXTERIOR VIEW
(BRIDGE RAIL ASSEMBLY)**





(2) BRIDGE RAIL ASSEMBLY



(8) BOLT WH 5/16x1/2 SD

(8) NUT BARREL WH 5/16x7/8 SD

(8) WASHER LOCK EXT 12x19 SD

STEP 54

FIG. 1

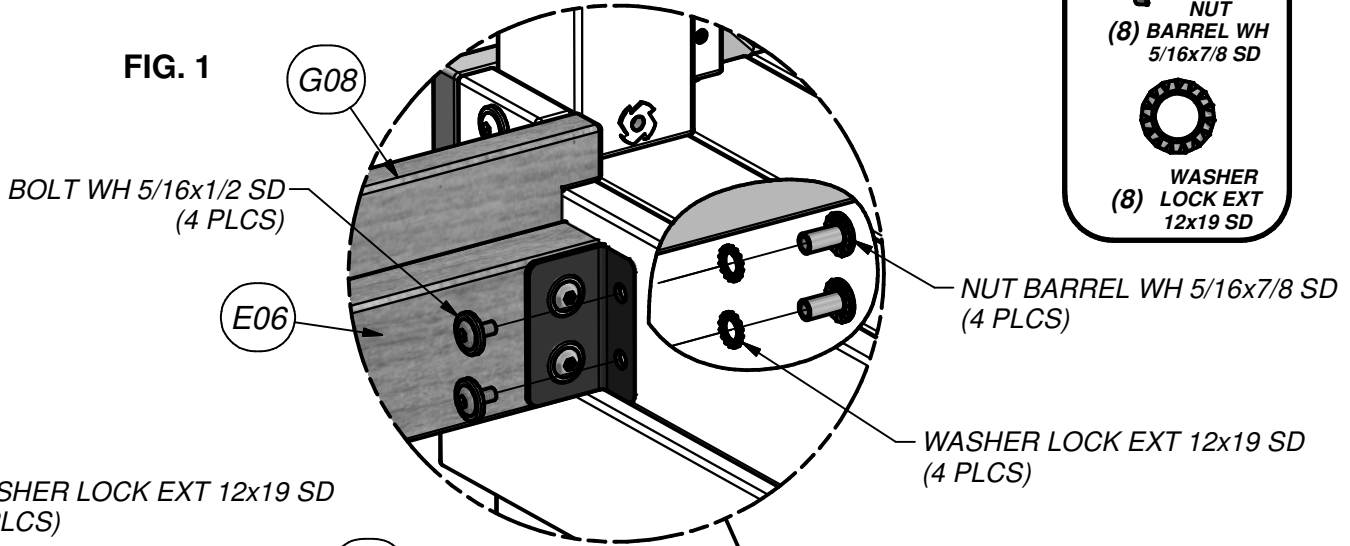
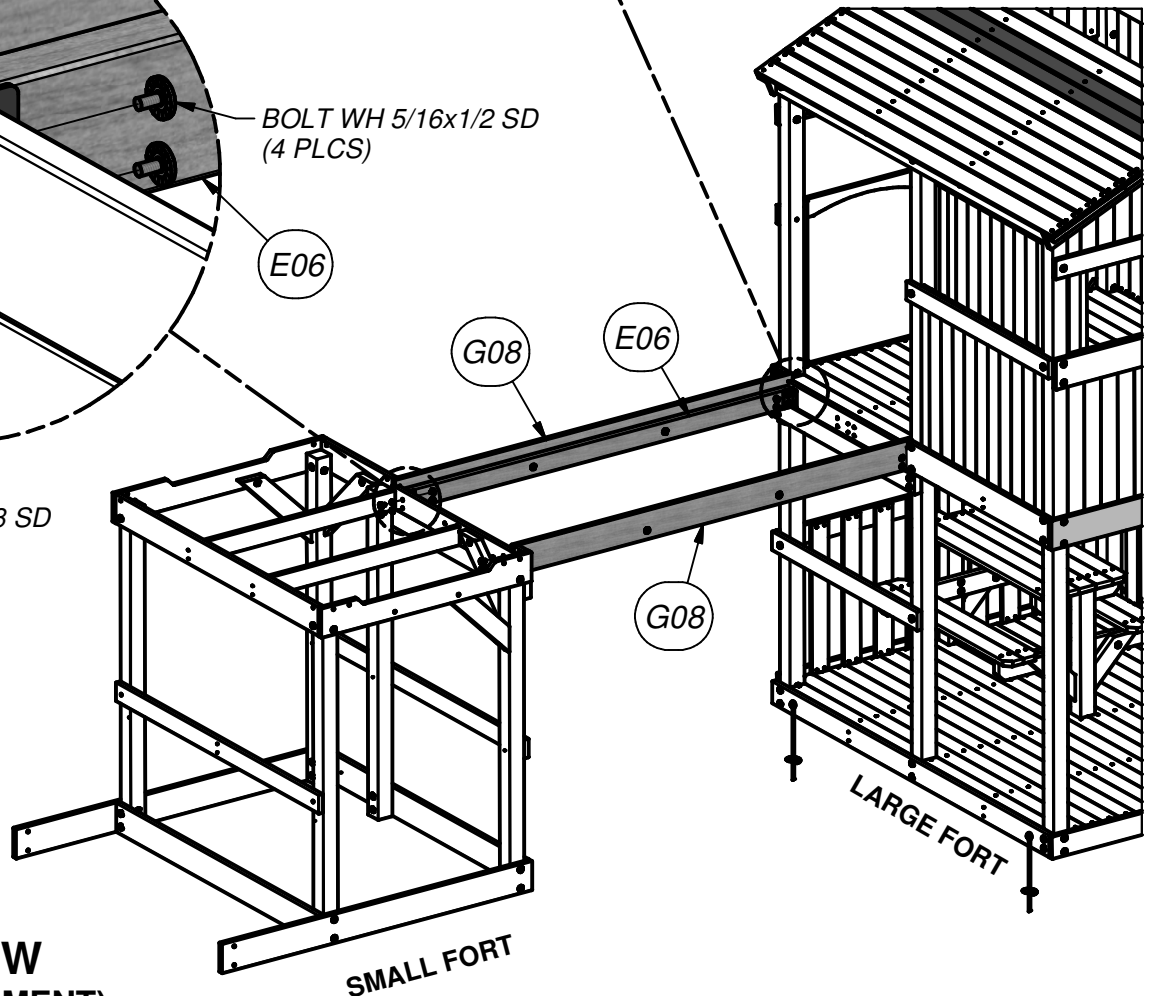
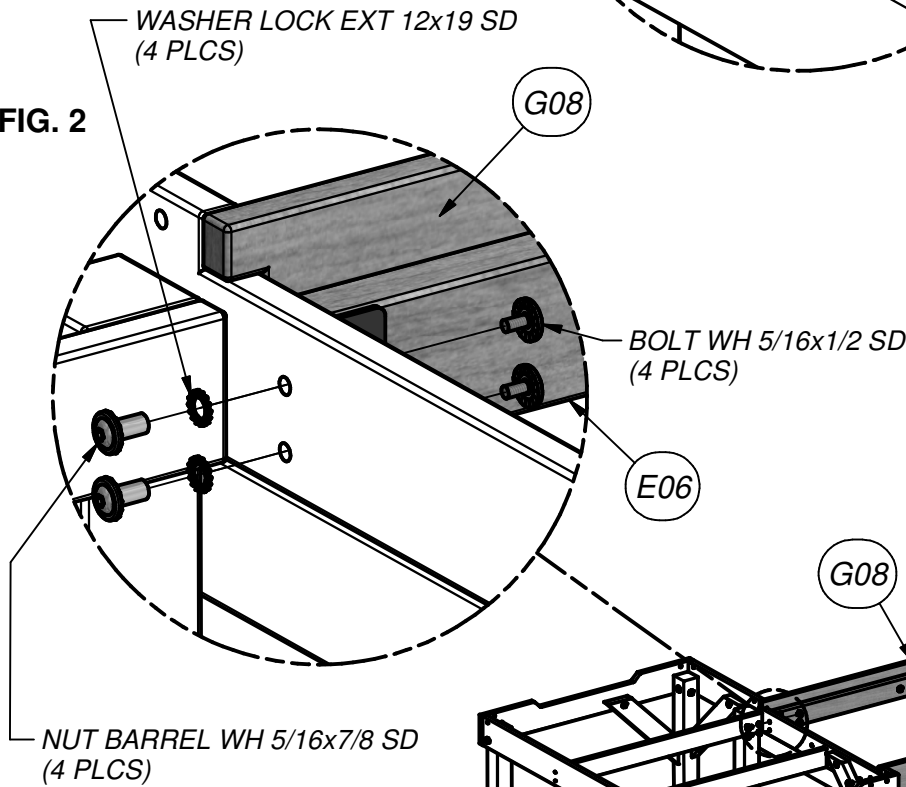
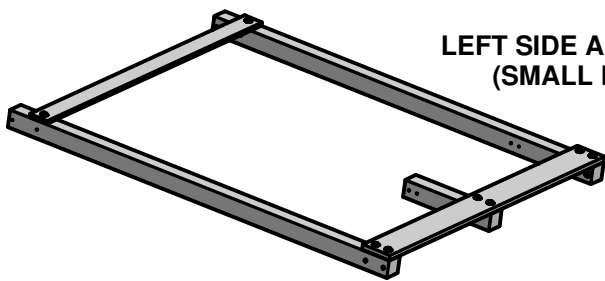


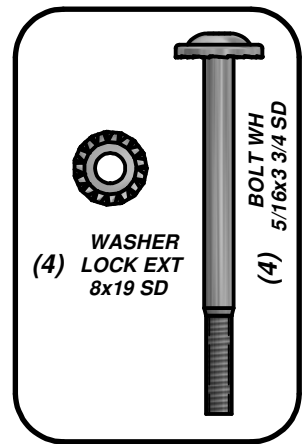
FIG. 2



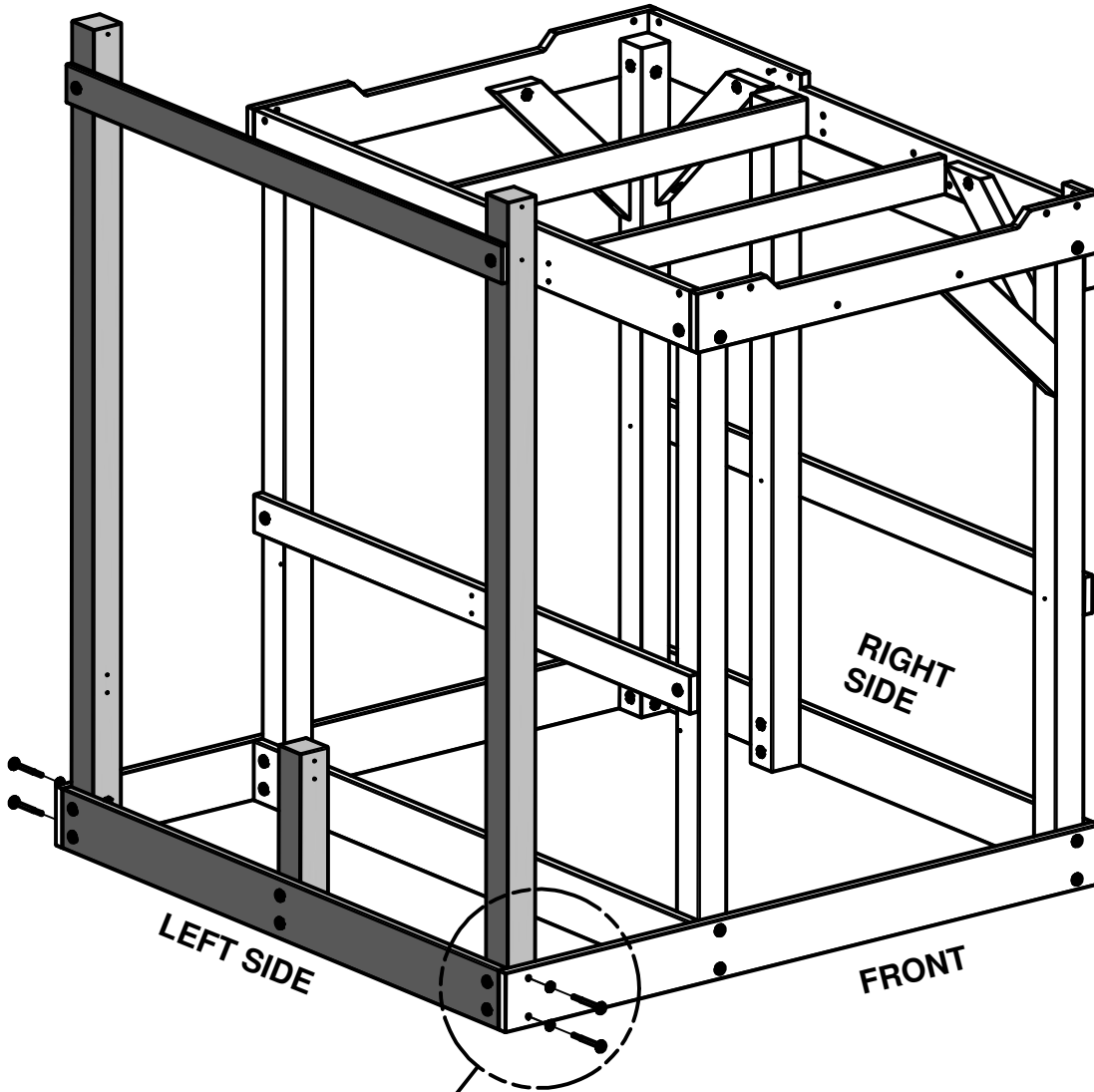
EXTERIOR VIEW
(BRIDGE RAIL ATTACHMENT)
BOTH FORTS



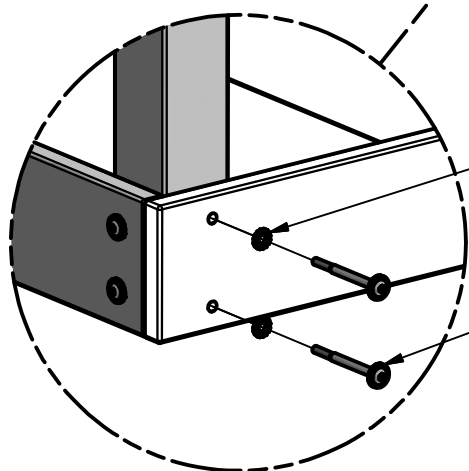
LEFT SIDE ASSEMBLY
(SMALL FORT)



STEP 55



NOTE:
BRIDGE RAILS NOT
SHOWN FOR CLARITY



WASHER LOCK EXT 8x19 SD
(4 PLCS)

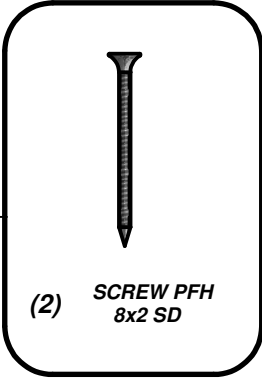
BOLT WH 5/16x3 3/4 SD
(4 PLCS)



**EXTERIOR VIEW
(LEFT SIDE WALL)
SMALL FORT**

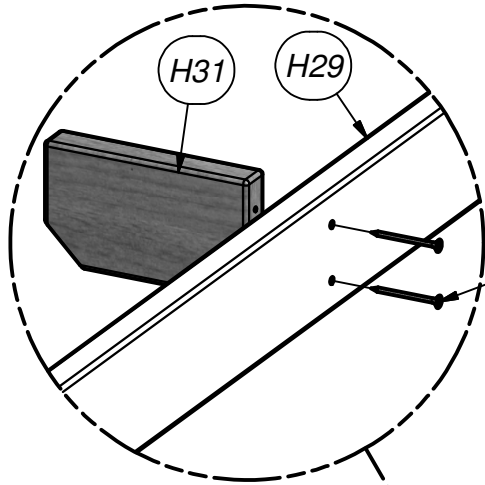


(1) H31 - SUPPORT - W4L11326
1"x3 3/8"x6" (24x86x152)



(2) SCREW PFH
8x2 SD

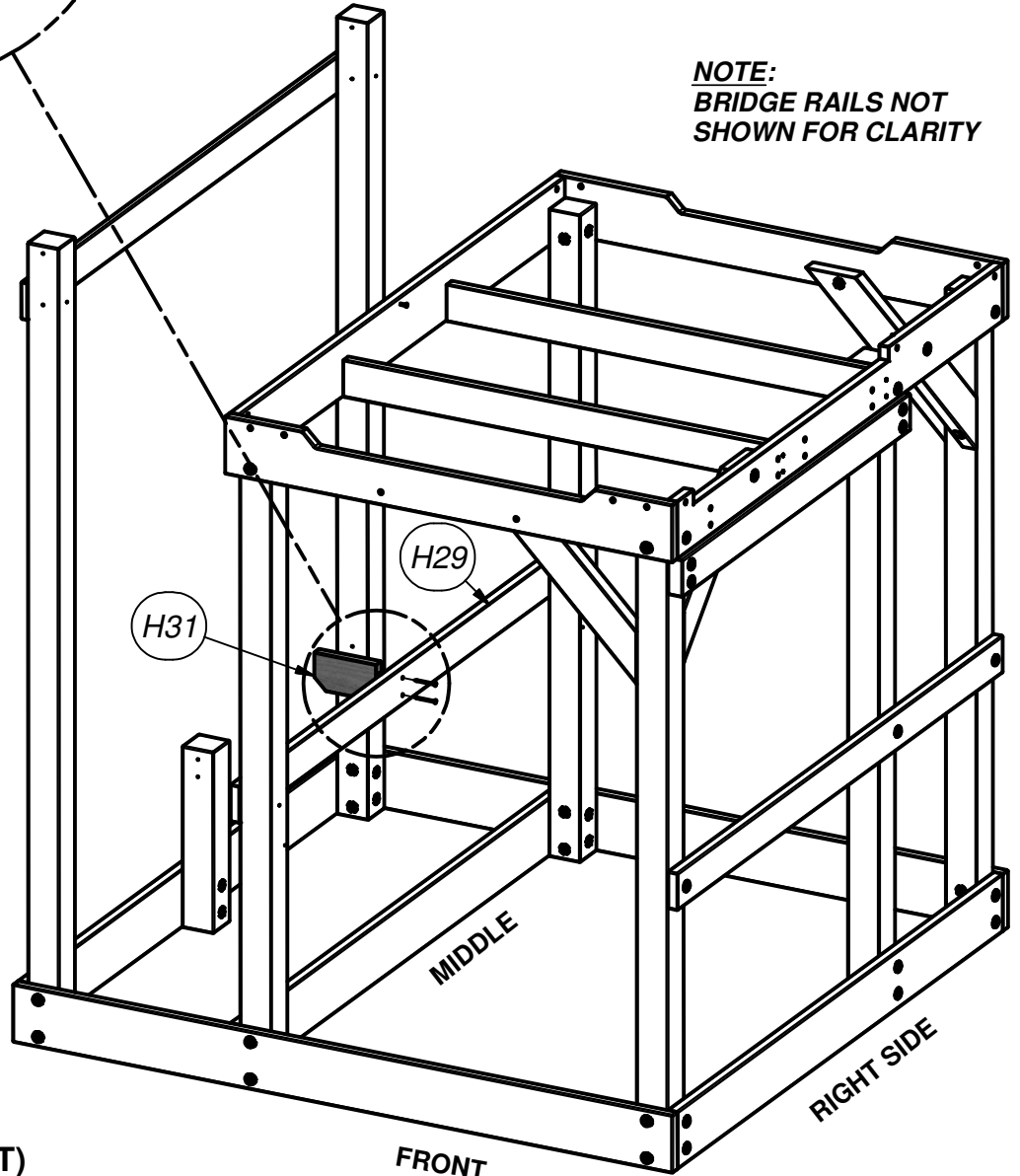
STEP 56



NOTE:
'H31' ORIENTATION

SCREW PFH 8x2 SD
(2 PLCS)

NOTE:
**BRIDGE RAILS NOT
SHOWN FOR CLARITY**



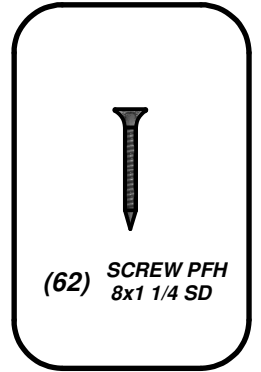
INTERIOR VIEW
(SERVING STATION SUPPORT)
SMALL FORT



(15) **M08 - PICKET - W4L11269**
5/8"x3 3/8"x27" (16x86x686)



(1) **N2 - WALL BOARD - W4L11349**
5/8"x2 3/8"x27" (16x60x686)

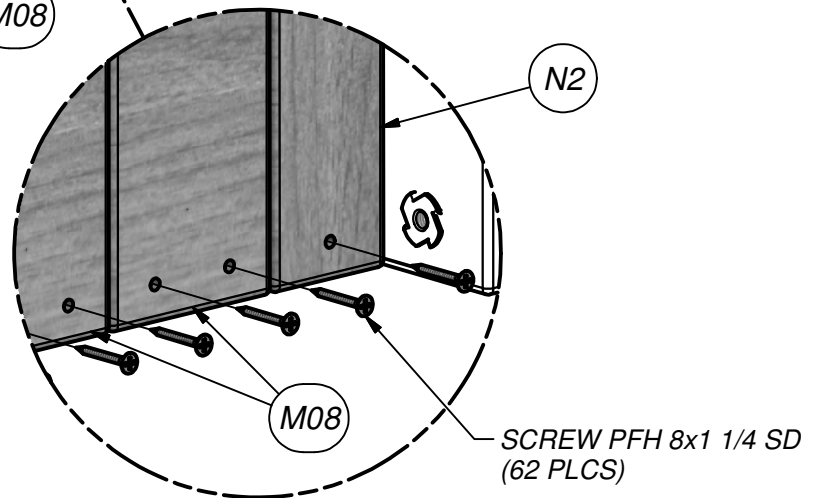
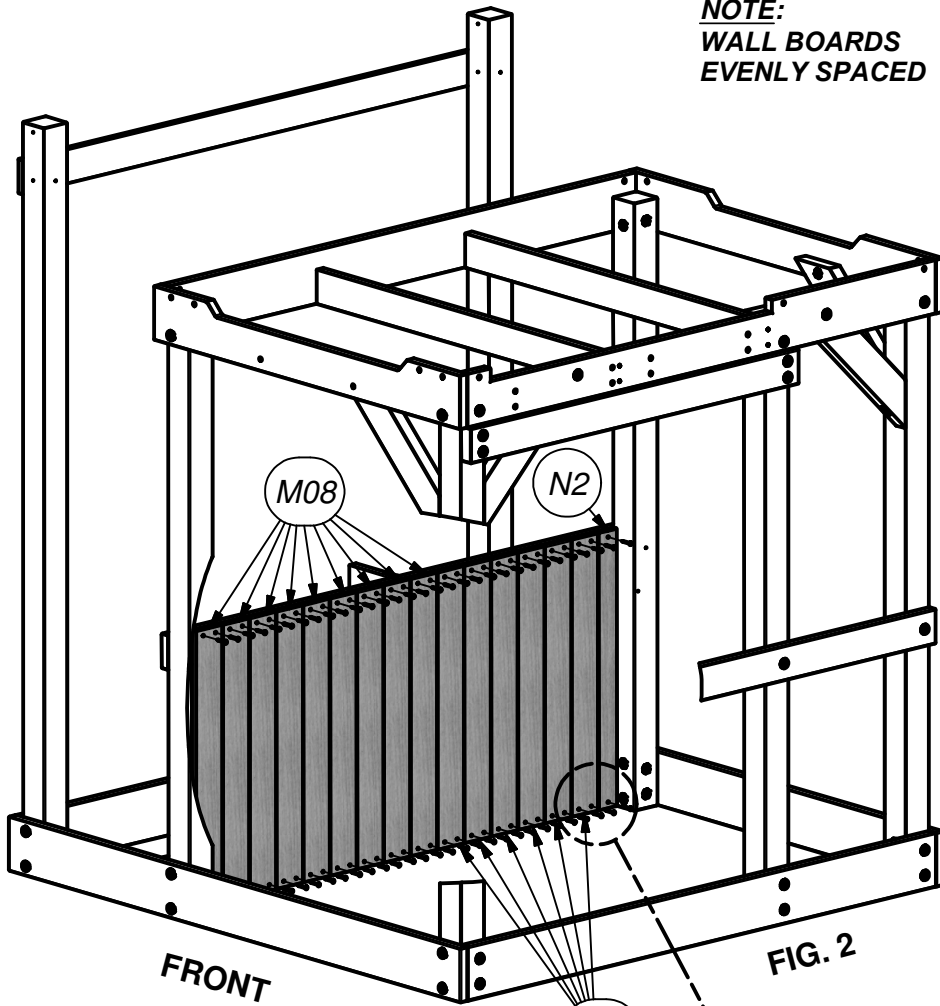


(62) **SCREW PFH**
8x1 1/4 SD

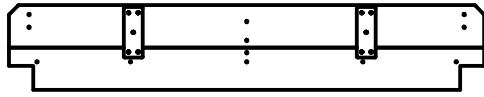
STEP 57

NOTE:
WALL BOARDS
EVENLY SPACED

NOTE:
BRIDGE RAILS NOT
SHOWN FOR CLARITY



INTERIOR VIEW
(CENTER SERVING WALL)
SMALL FORT



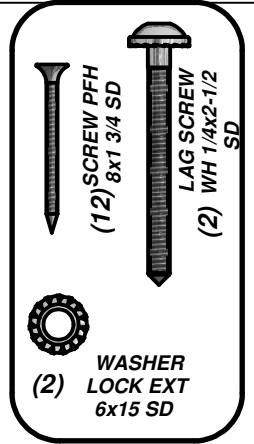
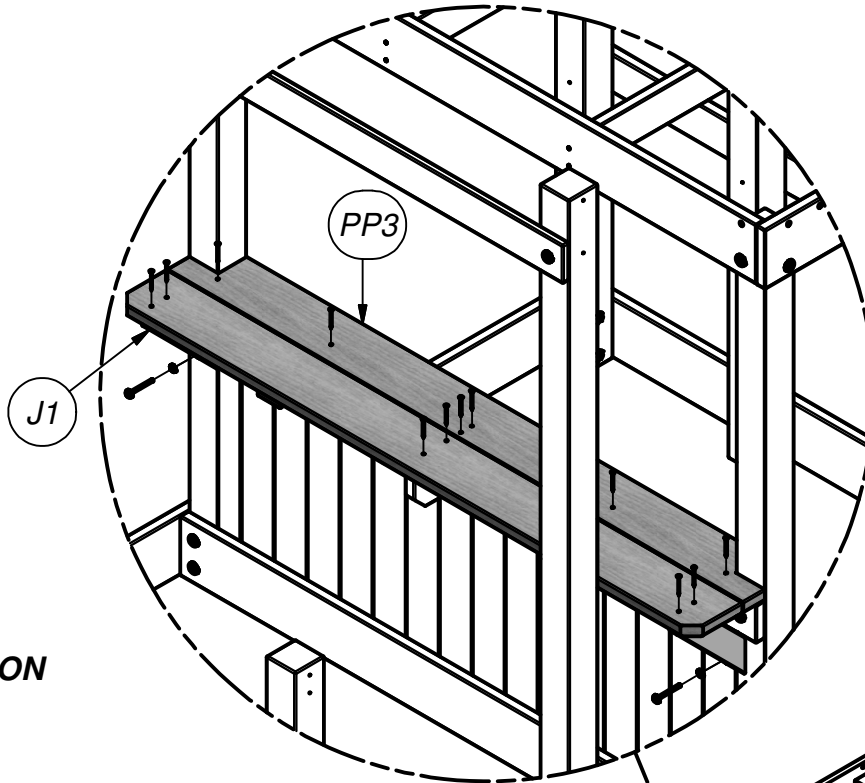
(1) PP3 - SERVING TABLE - W2A02506
1 5/8"x10 1/2"x59 1/2" (40x268x1510)



(2) J1 - GUSSET - W4L11332
1"x2 3/8"x10 3/4" (24x60x274)

STEP 58

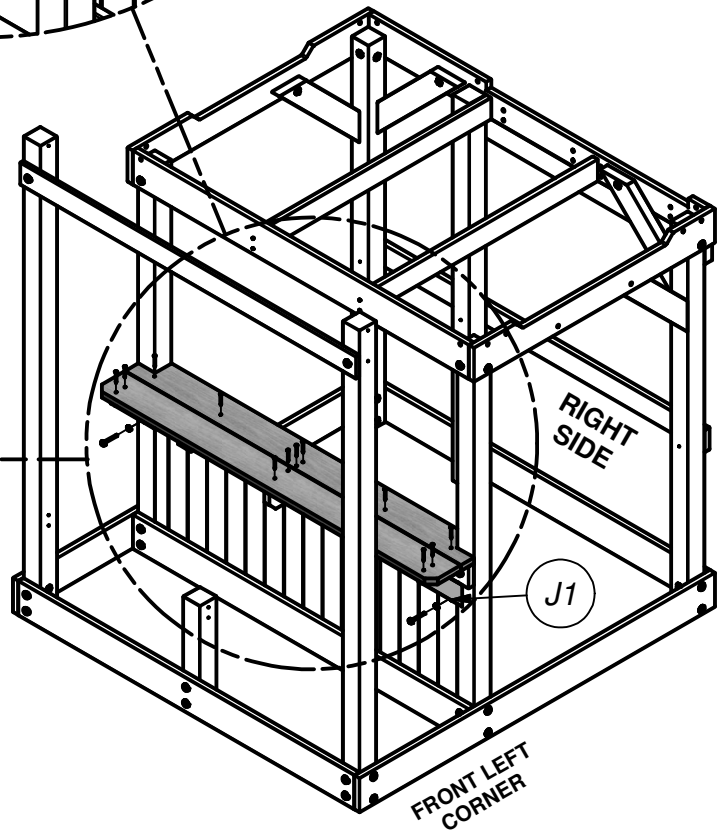
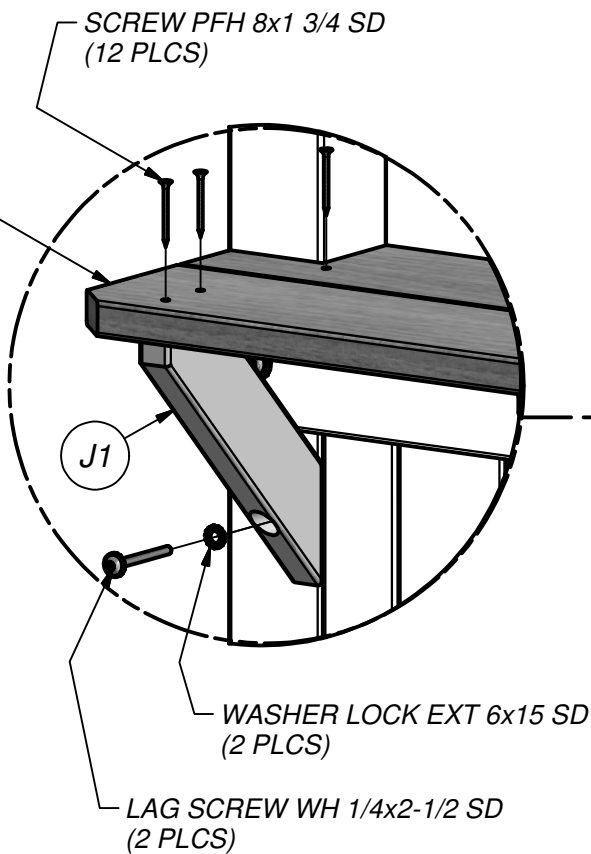
FIG. 1



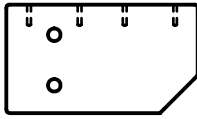
NOTE:
'J1' ORIENTATION

NOTE:
BRIDGE RAILS NOT SHOWN FOR CLARITY

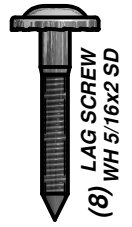
FIG. 2



INTERIOR VIEW
(SERVING TABLE on MIDDLE WALL)
SMALL FORT



(4) **H30 - BENCH SUPPORT - W4L11324**
1"x3 3/8"x6" (24x86x152)



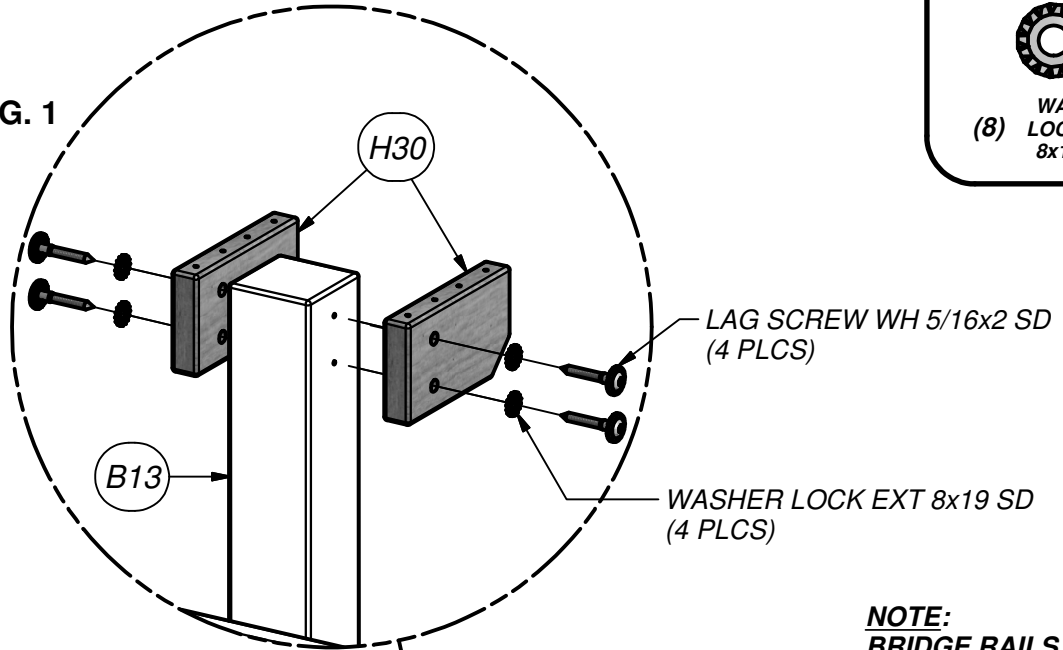
LAG SCREW
WH 5/16x2 SD
(8)



WASHER
LOCK EXT
8x19 SD
(8)

STEP 59

FIG. 1



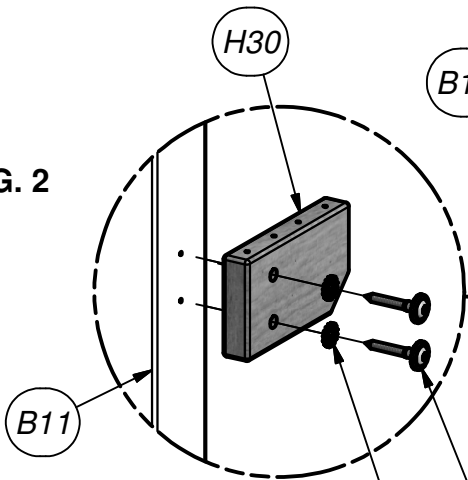
NOTE:
'H30' ORIENTATION

LAG SCREW WH 5/16x2 SD
(4 PLCS)

WASHER LOCK EXT 8x19 SD
(4 PLCS)

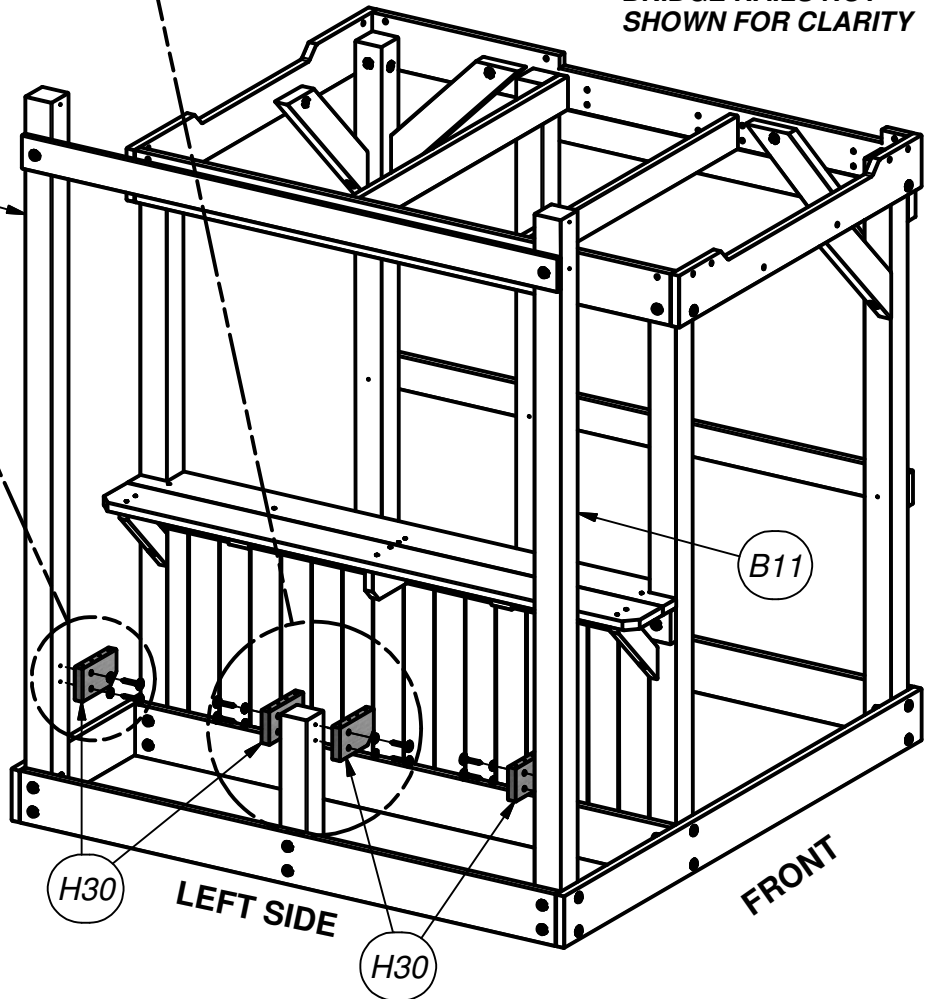
NOTE:
BRIDGE RAILS NOT
SHOWN FOR CLARITY

FIG. 2



WASHER LOCK EXT 8x19 SD
(4 PLCS)

LAG SCREW WH 5/16x2 SD
(4 PLCS)



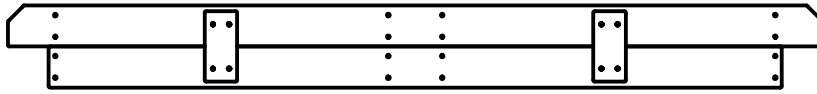
H30

LEFT SIDE

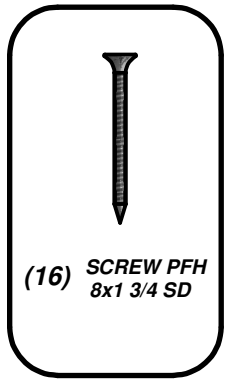
H30

FRONT

EXTERIOR VIEW
(LEFT SIDE SERVING BENCH)
SMALL FORT

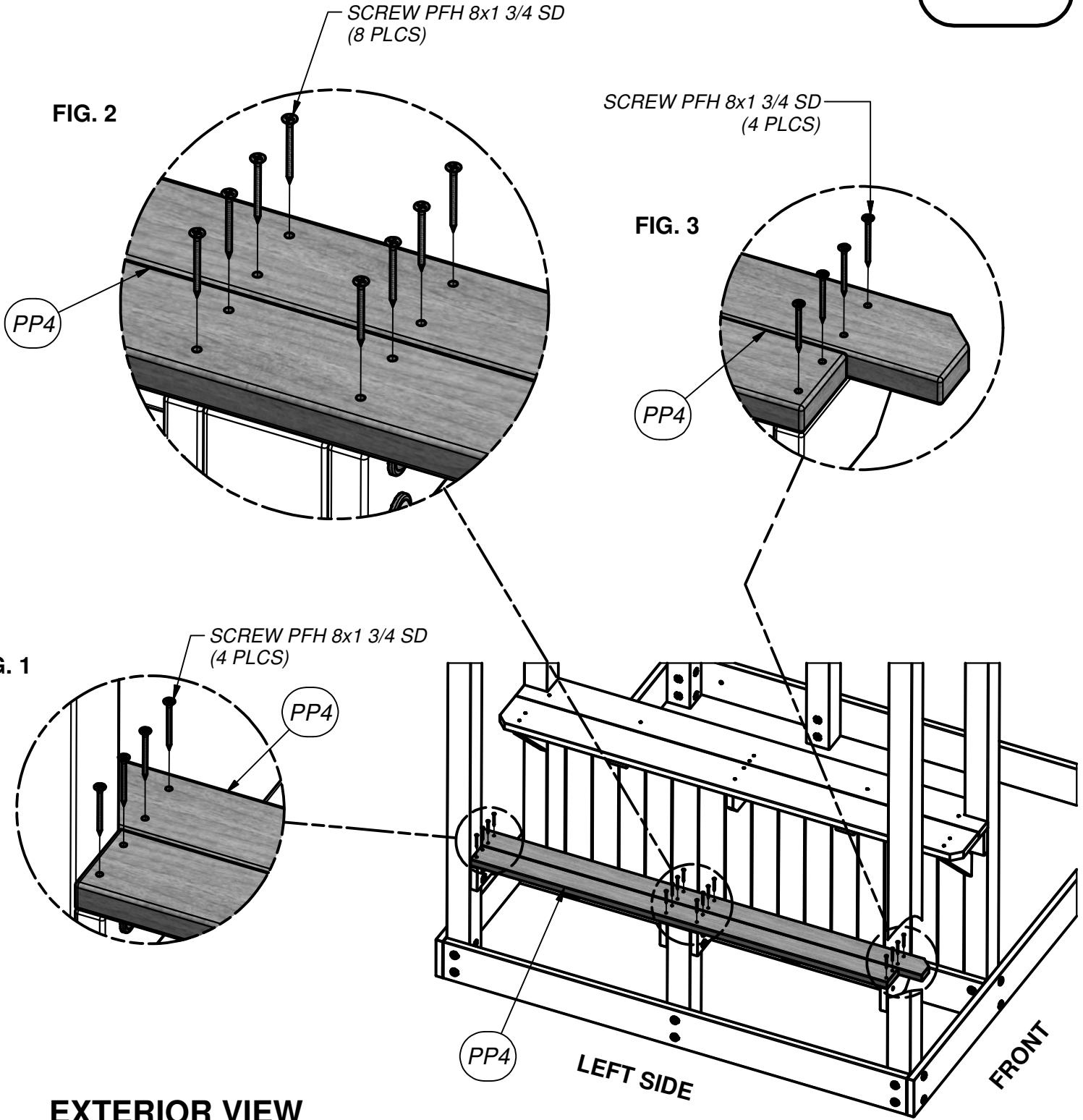


(1) PP4 - SERVING BENCH - W2A02195
1 5/8"x6"x59 1/2" (40x152x1510)



(16) SCREW PFH
8x1 3/4 SD

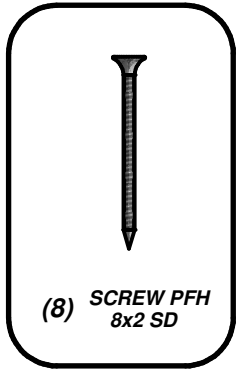
STEP 60



**EXTERIOR VIEW
(LEFT SIDE SERVING BENCH)
SMALL FORT**

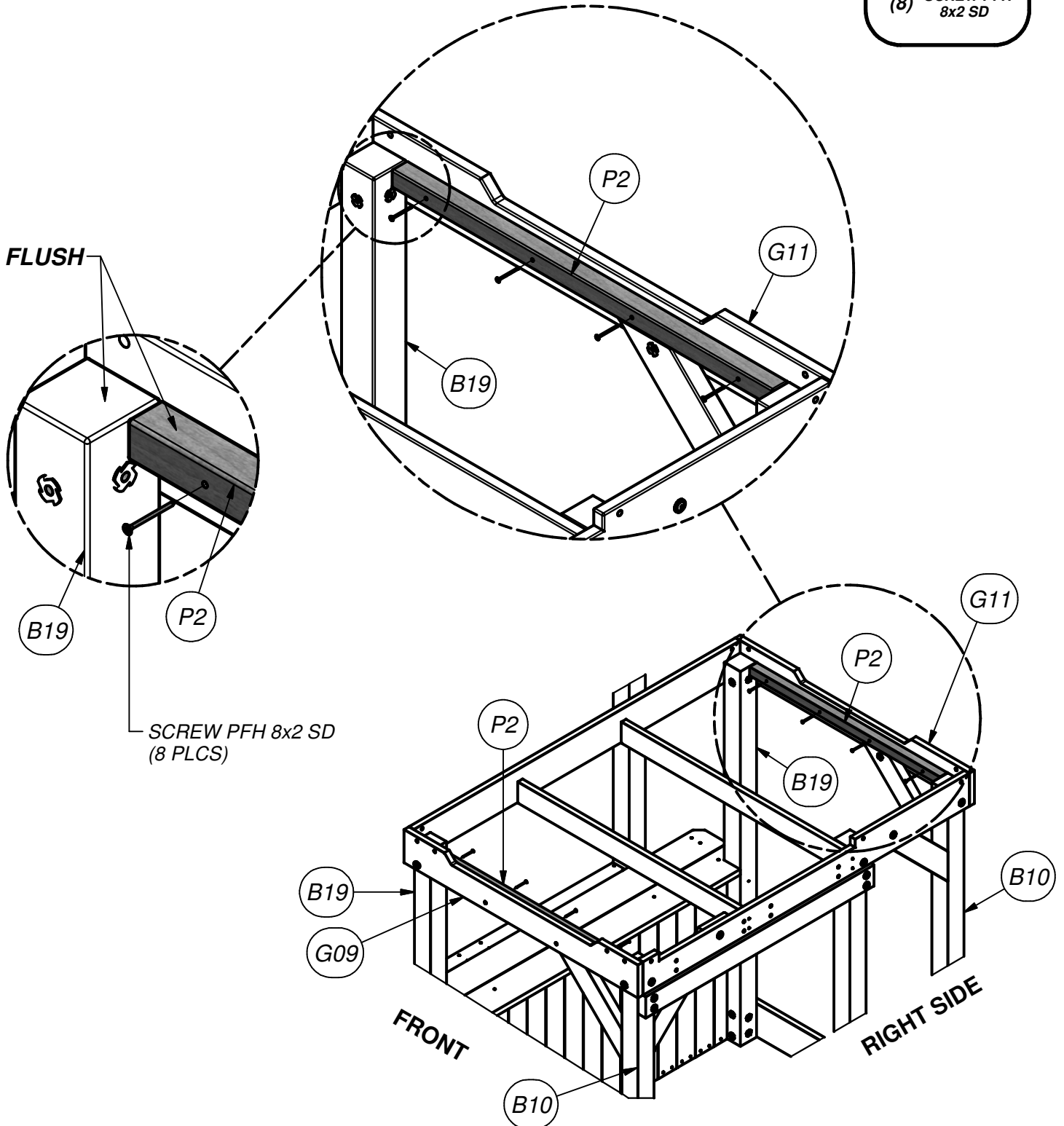


(2) P2 - FLOOR SUPPORT - W4L11357
1 3/8"x1 3/8"x34 3/4" (36x36x882)



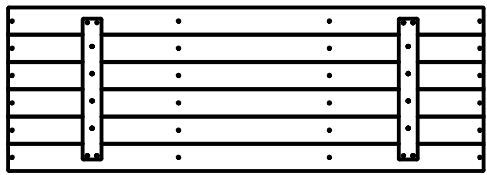
(8) SCREW PFH
8x2 SD

STEP 61

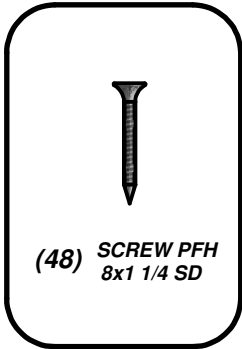


INTERIOR VIEW
(MIDDLE SERVING WALL)
SMALL FORT

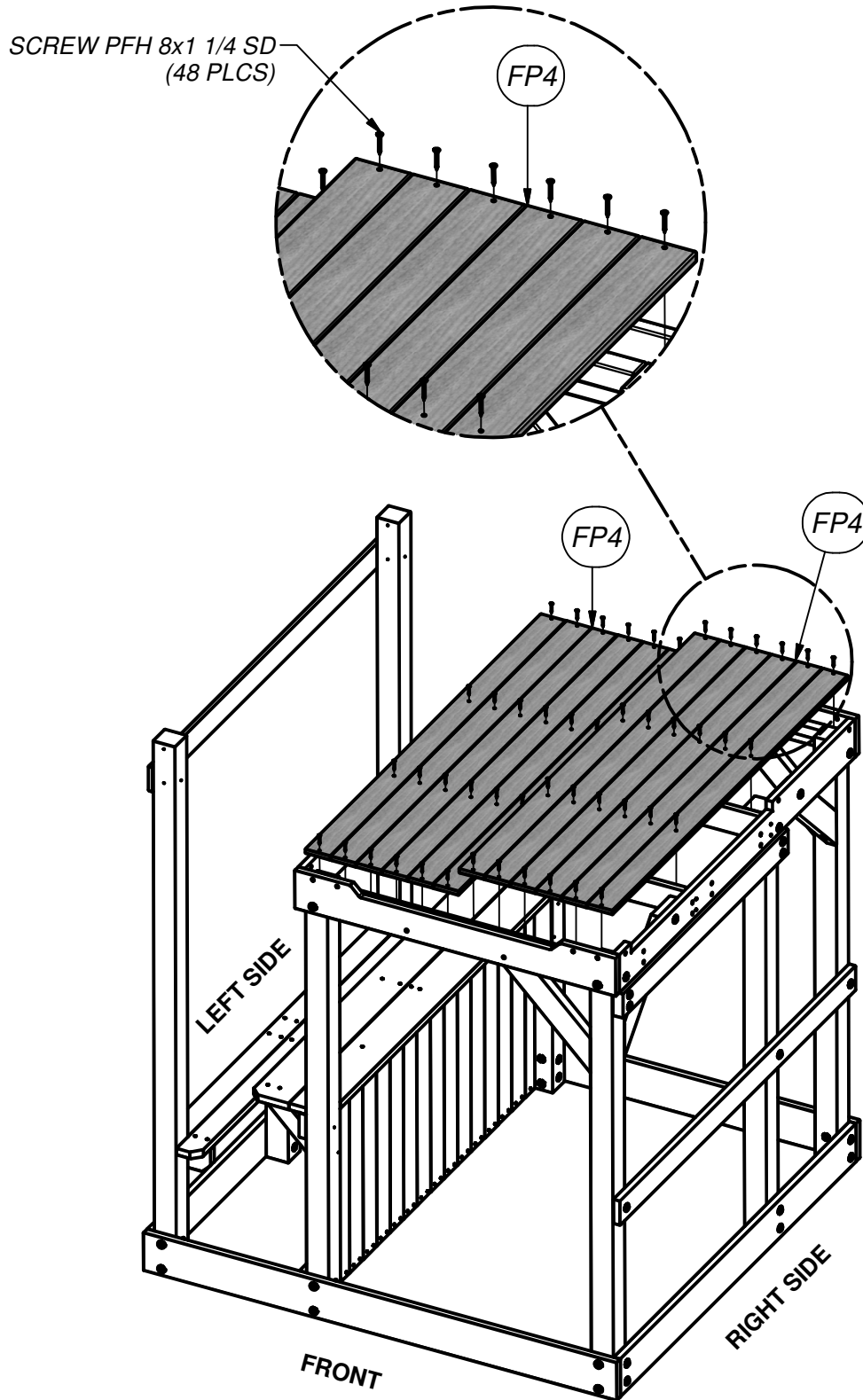
NOTE:
BRIDGE RAILS NOT
SHOWN FOR CLARITY



(2) FP4 - FLOOR PANEL - W2A02197
1 1/4"x20 3/8"x59 1/2" (32x519x1510)



STEP 62

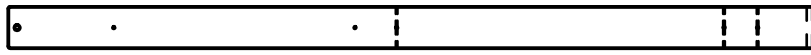


**OVERHEAD VIEW
(DECK)
SMALL FORT**

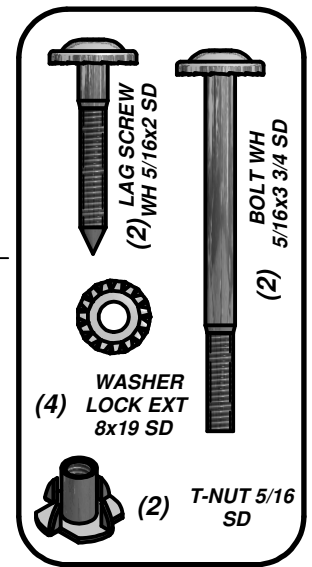
NOTE:
BRIDGE RAILS NOT
SHOWN FOR CLARITY



(1) B14 - UPRIGHT - W4L11333
3"x3"x59" (76x76x1500)



(1) B15 - UPRIGHT - W4L08781
3"x3"x59" (76x76x1500)



STEP 63

FIG. 1

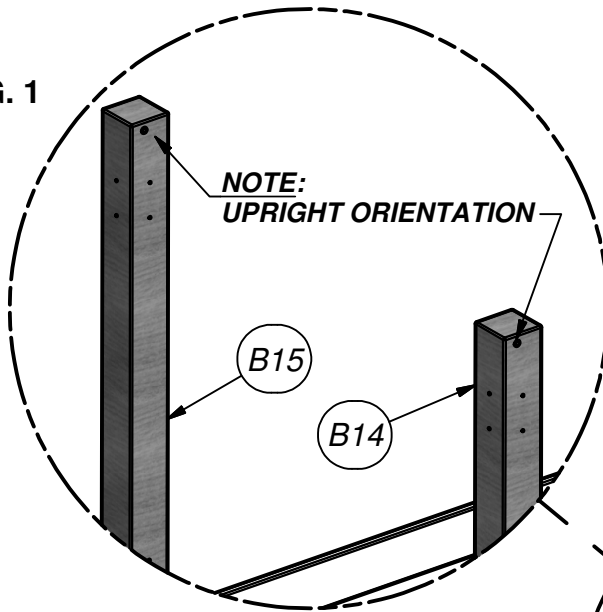
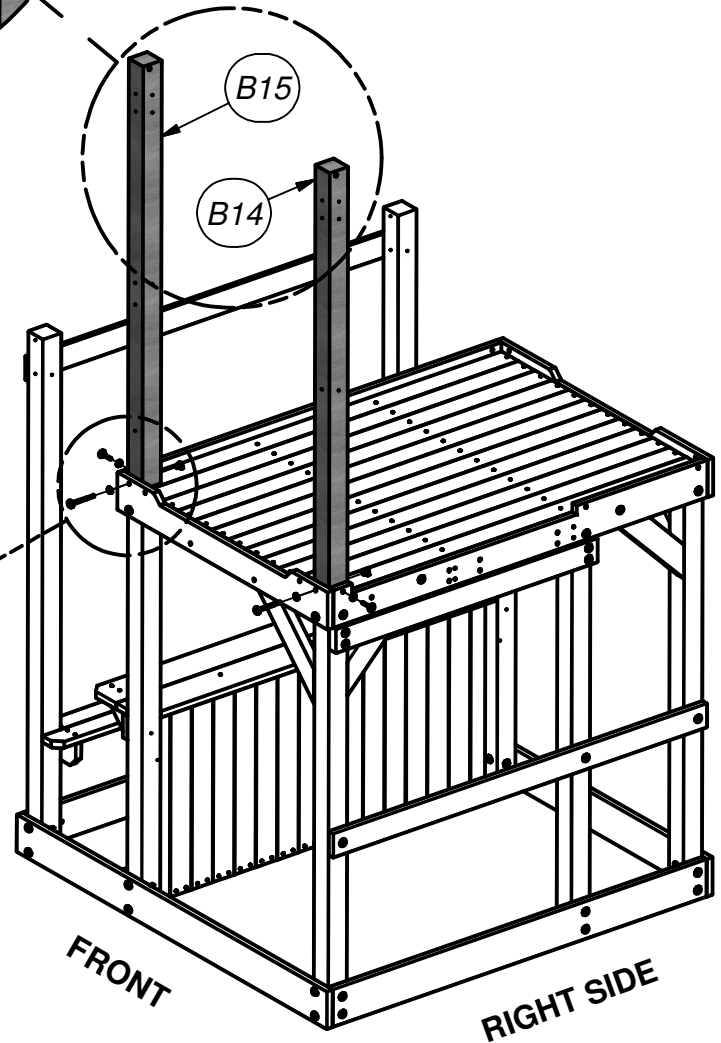
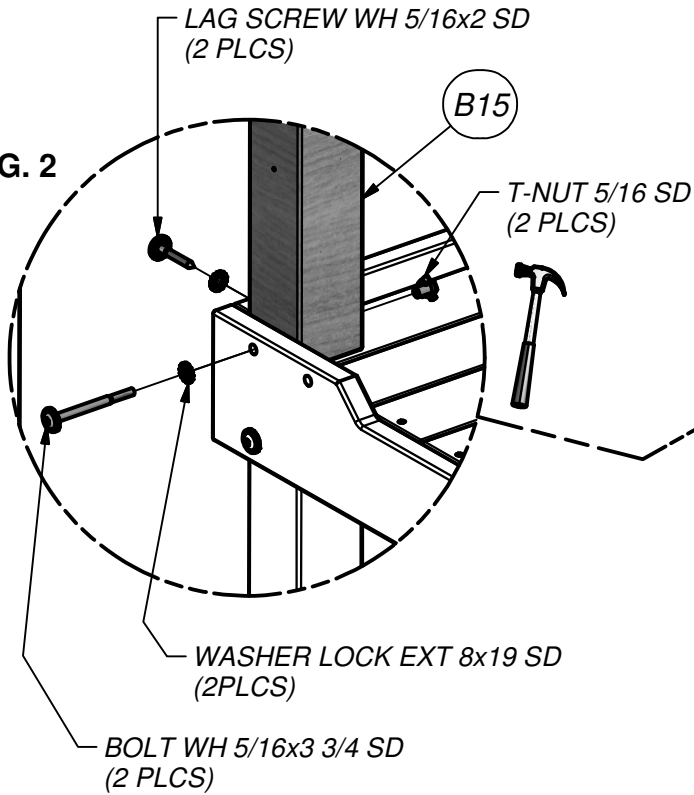
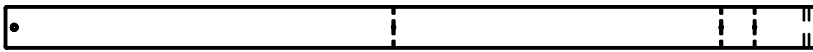


FIG. 2

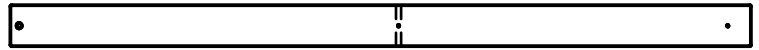


EXTERIOR VIEW
(FRONT UPPER UPRIGHTS)
SMALL FORT

NOTE:
BRIDGE RAILS NOT
SHOWN FOR CLARITY



(1) **B14 - UPRIGHT - W4L11333**
3"x3"x59" (76x76x1500)

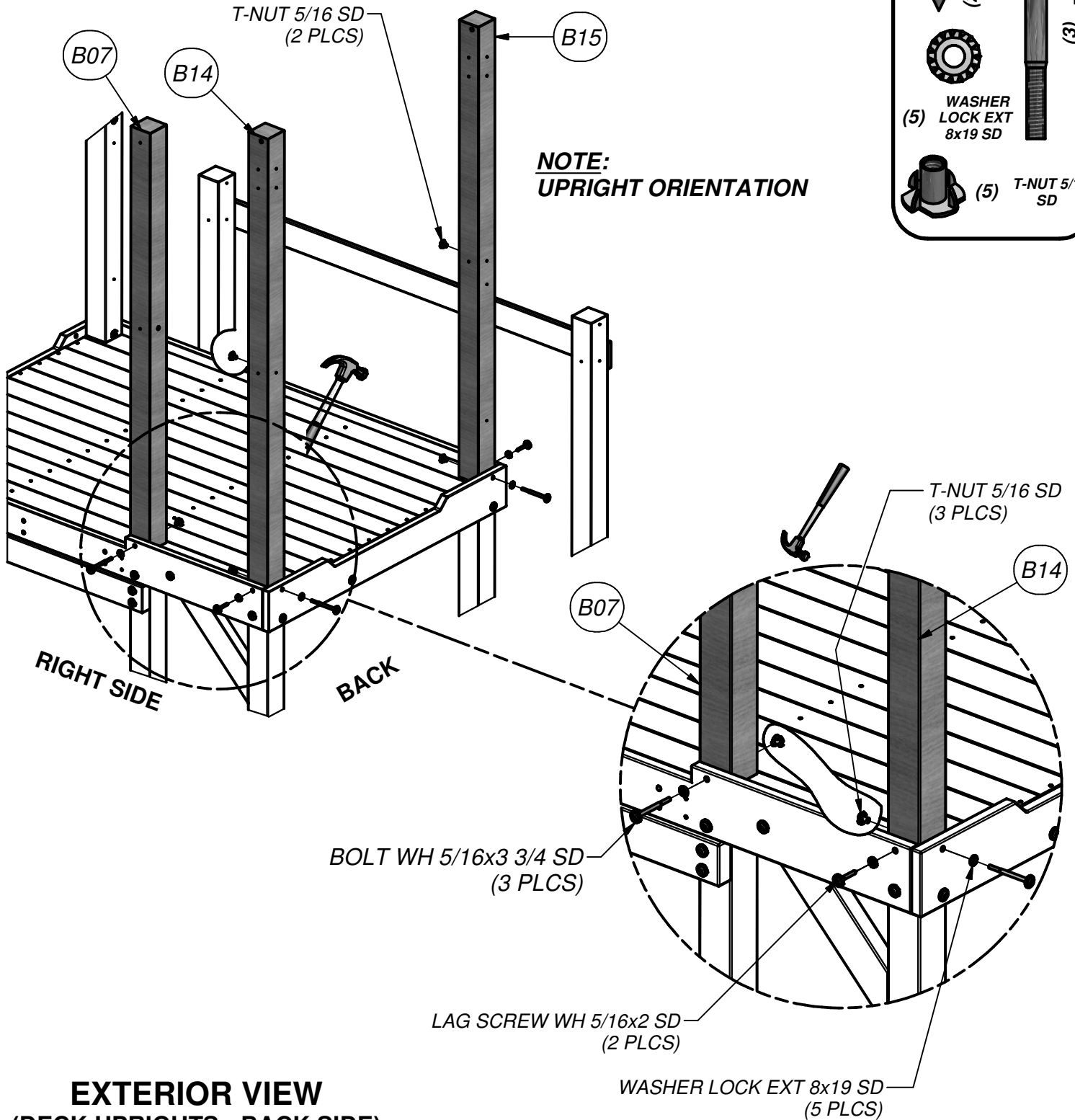
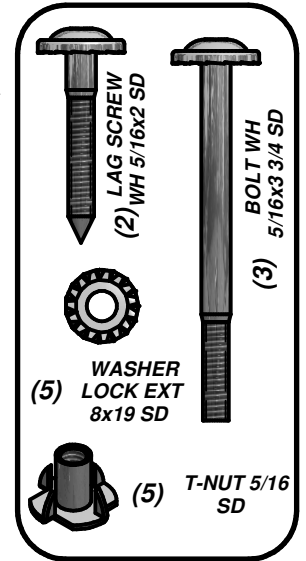


(1) **B07 - UPRIGHT - W4L11291**
3"x3"x54" (76x76x1372)



(1) **B15 - UPRIGHT - W4L08781**
3"x3"x59" (76x76x1500)

STEP 64



NOTE:
UPRIGHT ORIENTATION

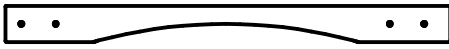
EXTERIOR VIEW
(DECK UPRIGHTS - BACK SIDE)
SMALL FORT



(1) H19 - WALL RAIL - W4L11337
1"x3 3/8"x59 1/2" (24x86x1510)



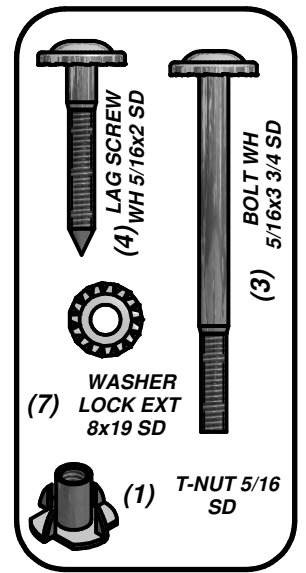
(1) H18 - WALL RAIL - W4L11338
1"x3 3/8"x20 7/8" (24x86x529)



(1) H16 - ARCH RAIL - W4L11339
1"x3 3/8"x41 3/4" (24x86x1060)



(1) H17 - ARCH RAIL - W4L11340
1"x3 3/8"x42 5/8" (24x86x1084)



STEP 65

FIG. 1

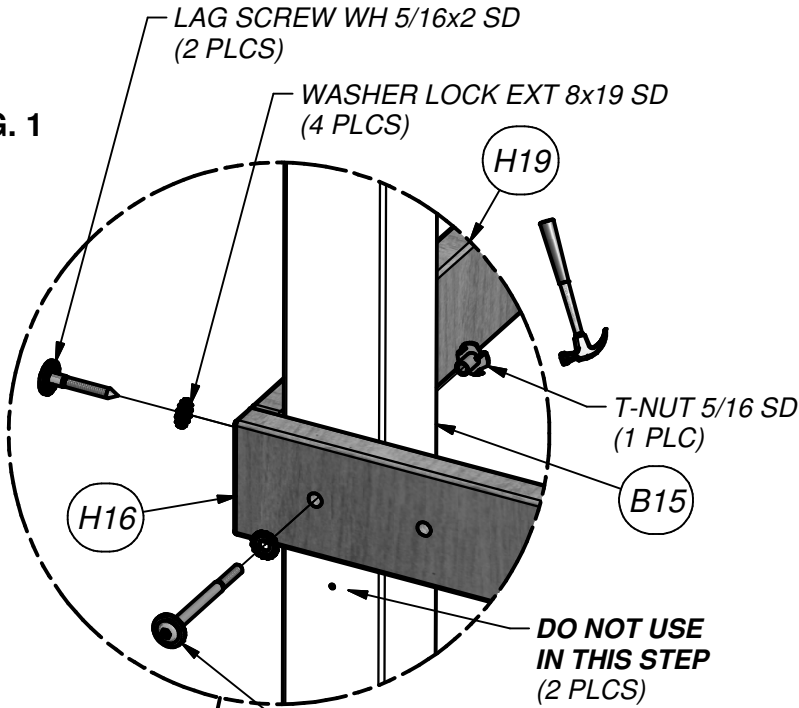


FIG. 2

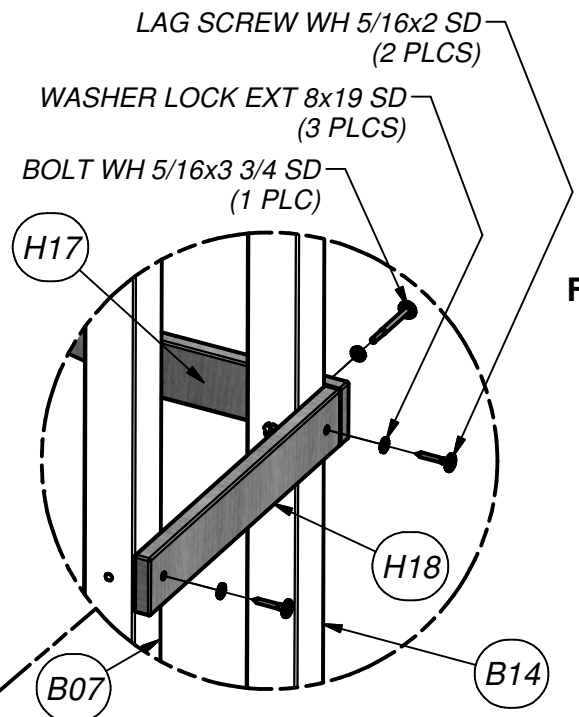
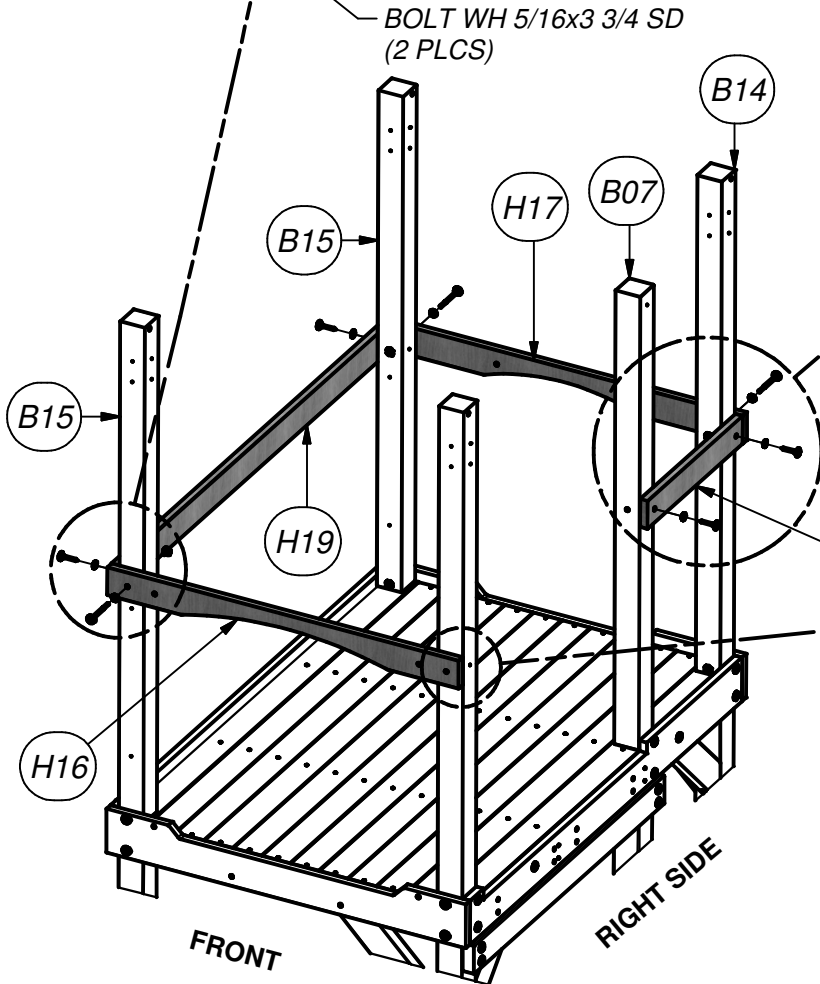
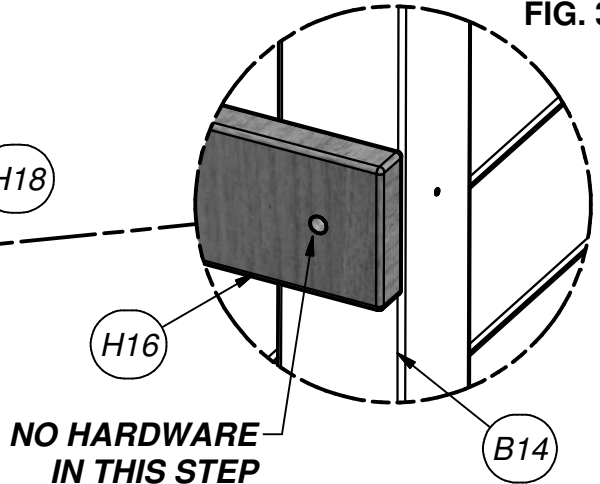


FIG. 3



**OVERHEAD VIEW
(DECK RAILS)
SMALL FORT**



(1) M14 - WALL BOARD - W4L11358
5/8"x3 3/8"x30" (16x86x762)

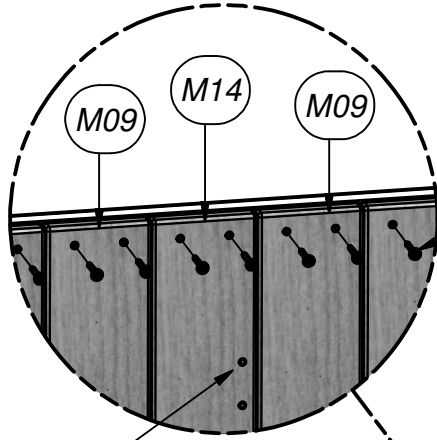


(14) M09 - WALL BOARD - W4L11292
5/8"x3 3/8"x30" (16x86x762)

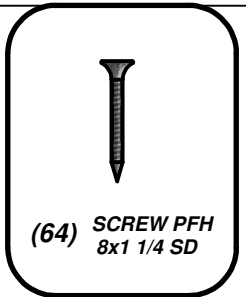


(1) N1 - WALL BOARD - W4L11293
5/8"x2 3/8"x30" (16x60x762)

STEP 66

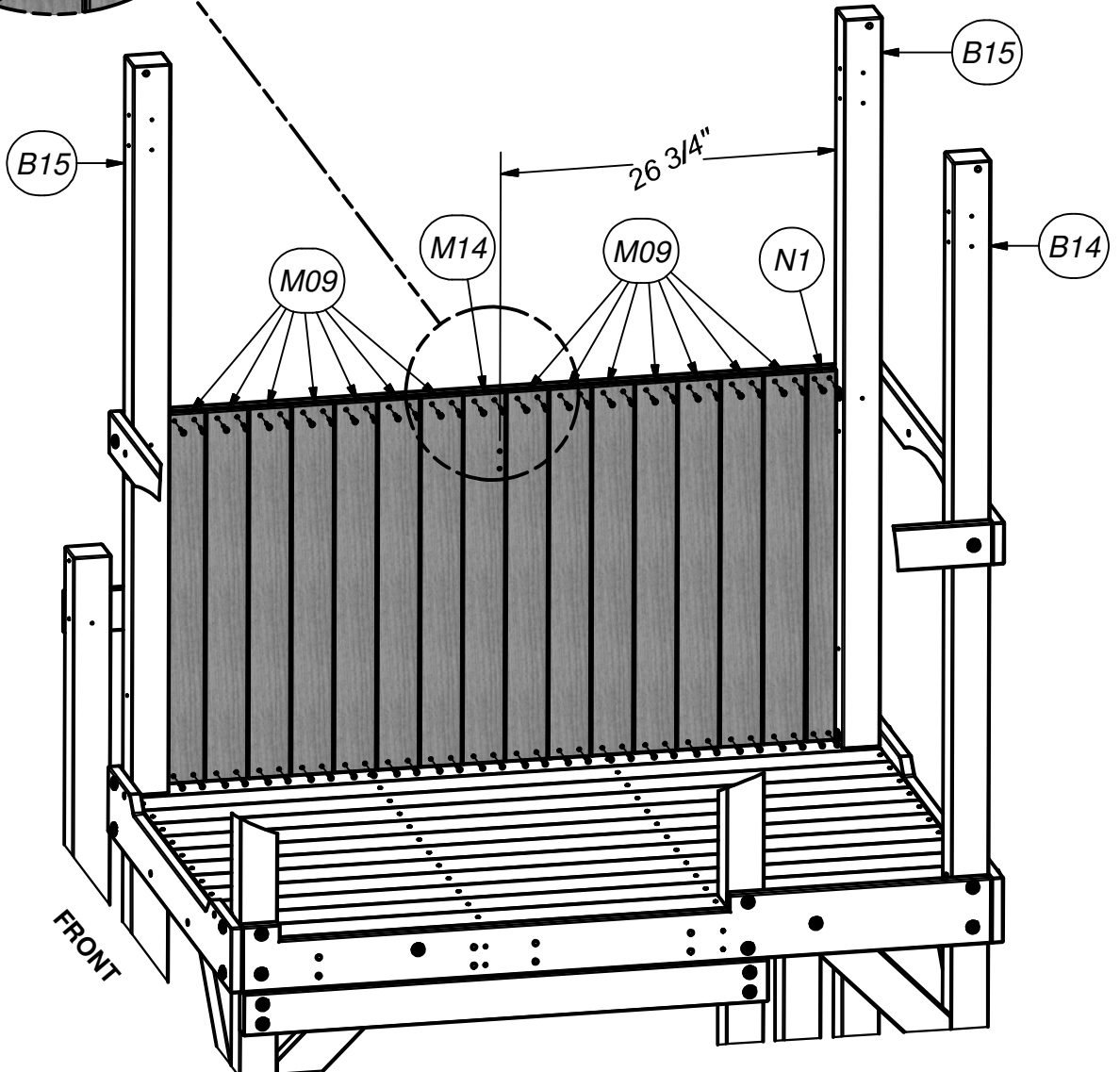


SCREW PFH 8x1 1/4 SD
(64 PLCS)



(64) SCREW PFH
8x1 1/4 SD

NOTE: 'M14'
ORIENTATION

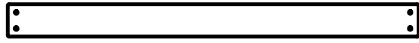


NOTE:
'M09' WALL BOARDS
EVENLY SPACED

INTERIOR VIEW
(LEFT DECK WALL)
SMALL FORT

RIGHT SIDE

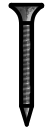
NOTE:
BRIDGE RAILS NOT
SHOWN FOR CLARITY



(2) **N1 - WALL BOARD - W4L11293**
5/8"x2 3/8"x30" (16x60x762)



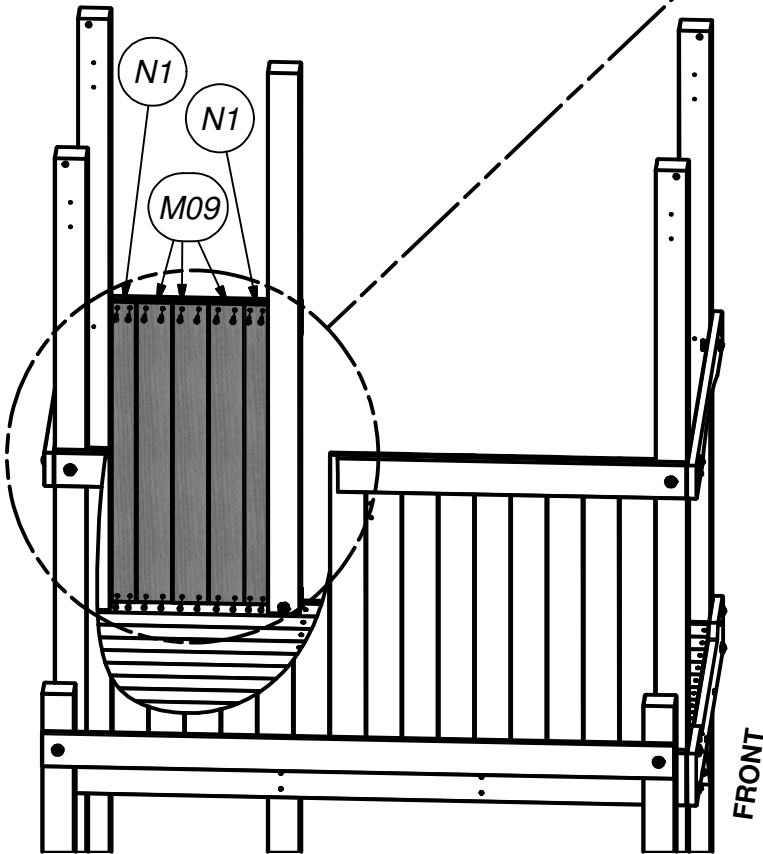
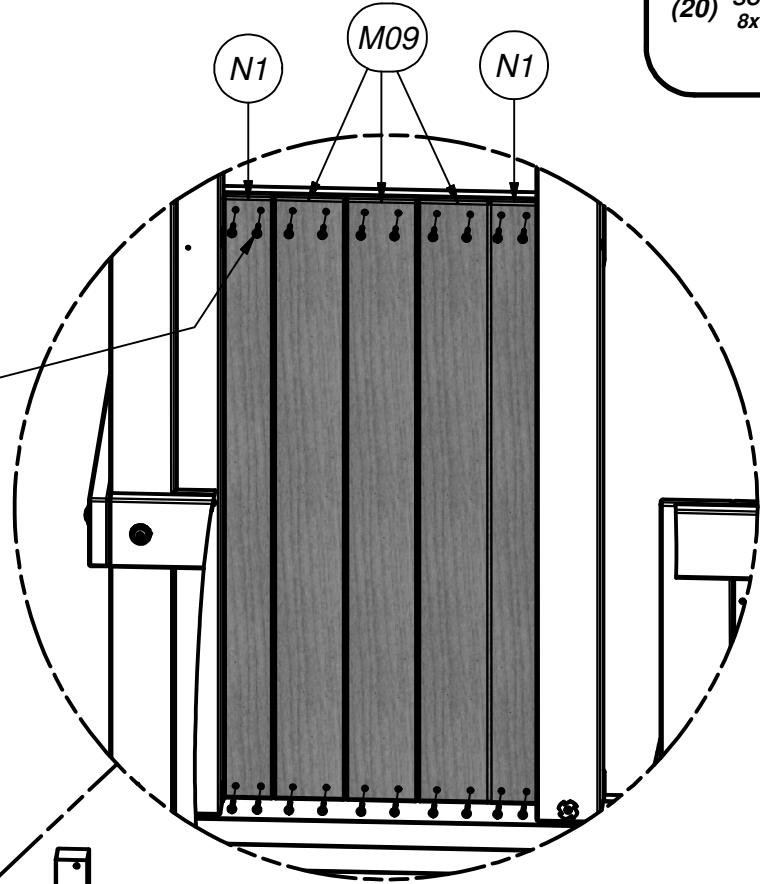
(3) **M09 - WALL BOARD - W4L11292**
5/8"x3 3/8"x30" (16x86x762)



(20) **SCREW PFH**
8x1 1/4 SD

STEP 67

SCREW PFH 8x1 1/4 SD
(20 PLCS)



NOTE:
WALL BOARDS
EVENLY SPACED

INTERIOR VIEW
(RIGHT UPPER DECK WALL)
SMALL FORT

LEFT SIDE

FRONT



(2) **M13 - WALL BOARD - W4L11341**
5/8"x3 3/8"x30" (16x86x762)



(4) **BOLT WH**
5/16x1 1/2 SD



(4) **WASHER
LOCK EXT**
8x19 SD



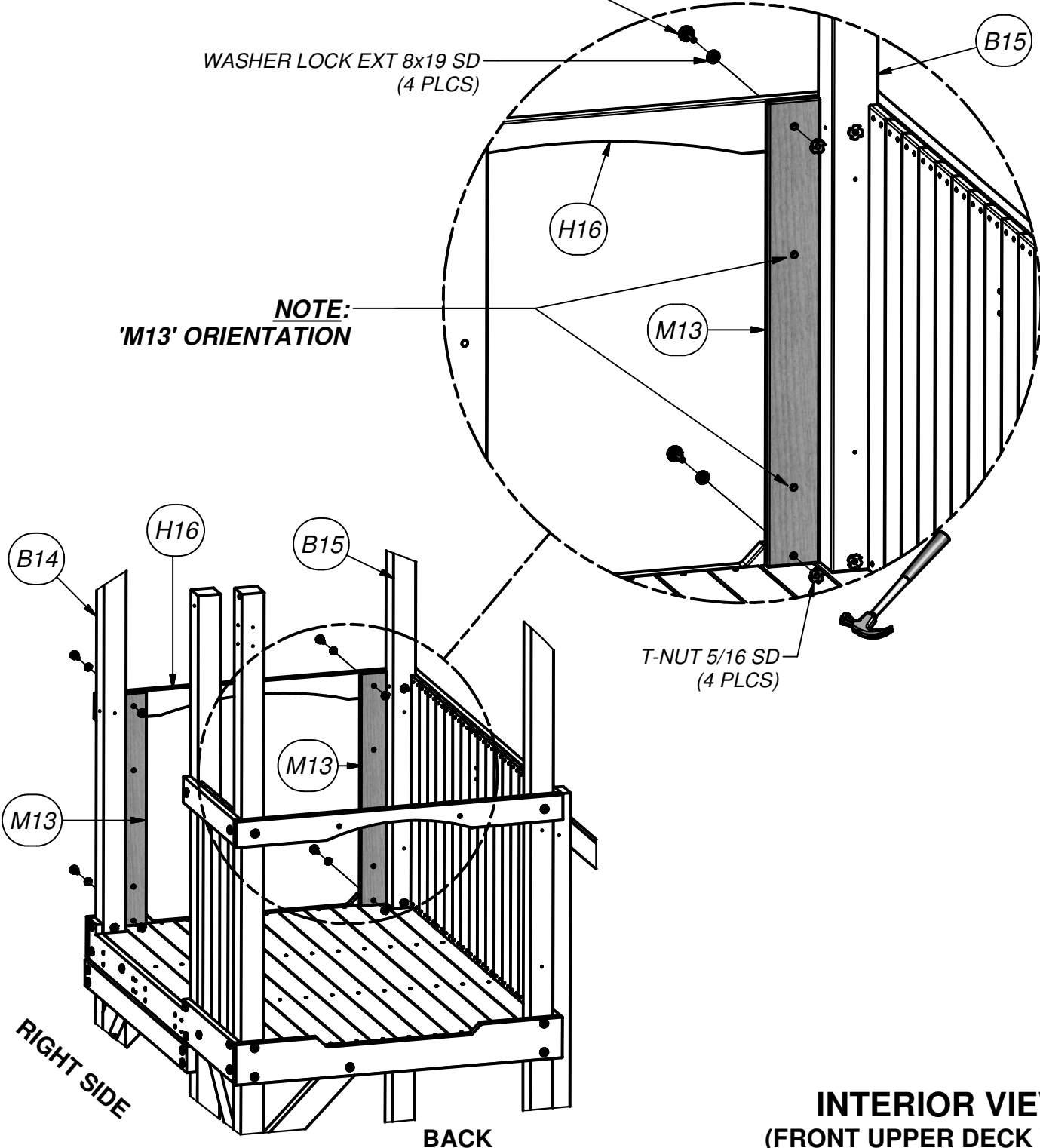
(4) **T-NUT 5/16
SD**

STEP 68

BOLT WH 5/16x1 1/2 SD
(4 PLCS)

WASHER LOCK EXT 8x19 SD
(4 PLCS)

NOTE:
'M13' ORIENTATION



T-NUT 5/16 SD
(4 PLCS)

INTERIOR VIEW
(FRONT UPPER DECK WALL)
SMALL FORT

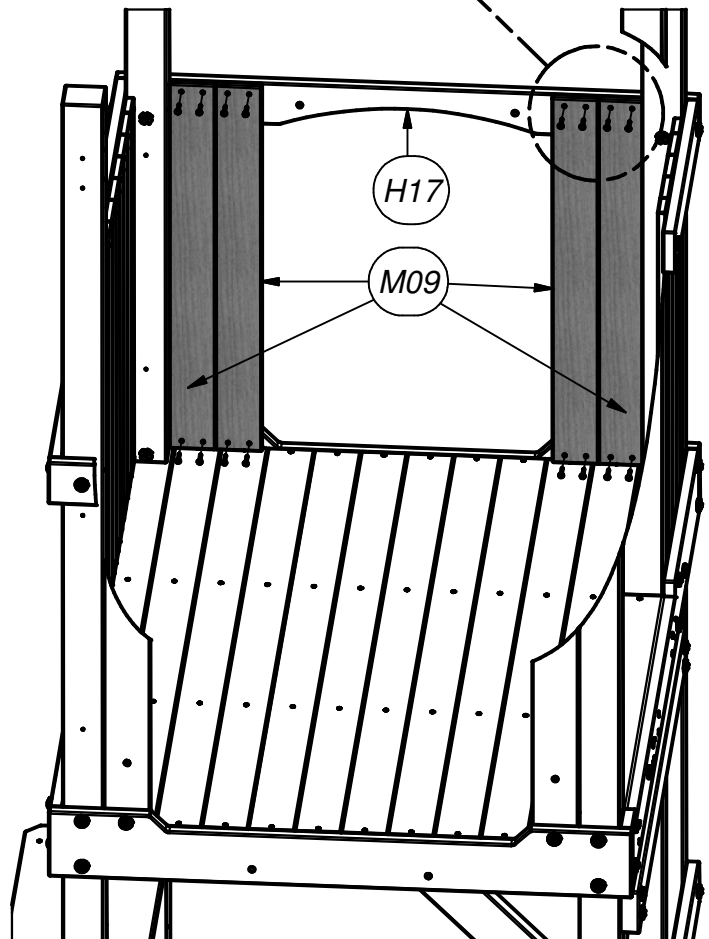
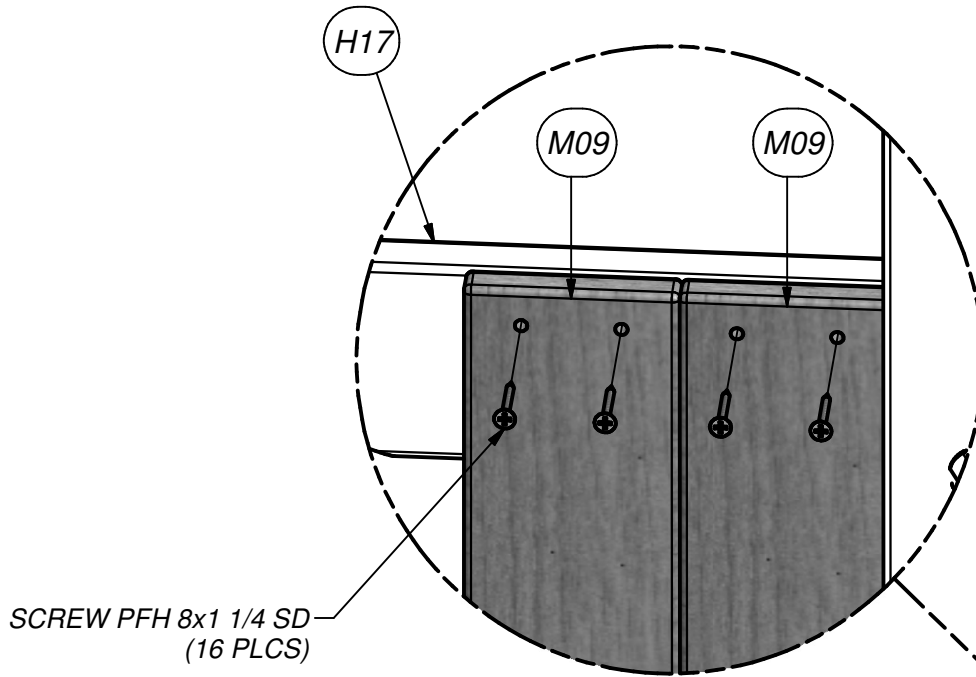


(4) **M09 - WALL BOARD - W4L11292**
5/8"x3 3/8"x30" (16x86x762)



(16) **SCREW PFH**
8x1 1/4 SD

STEP 69



INTERIOR VIEW
(BACK UPPER DECK WALL)
SMALL FORT

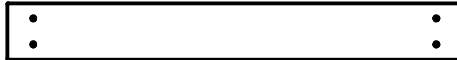
FRONT



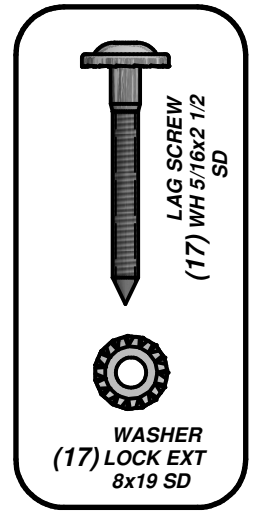
(1) G19 - WALL RAIL - W4L11334
1"x5 1/4"x59 1/2" (24x134x1510)



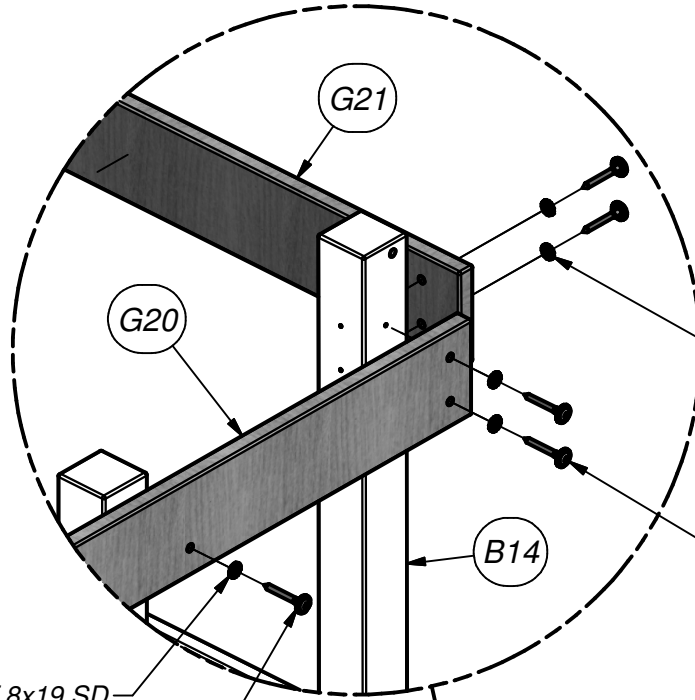
(1) G20 - WALL RAIL - W4L11335
1"x5 1/4"x59 1/2" (24x134x1510)



(2) G21 - WALL RAIL - W4L11336
1"x5 1/4"x42 5/8" (24x134x1084)



STEP 70

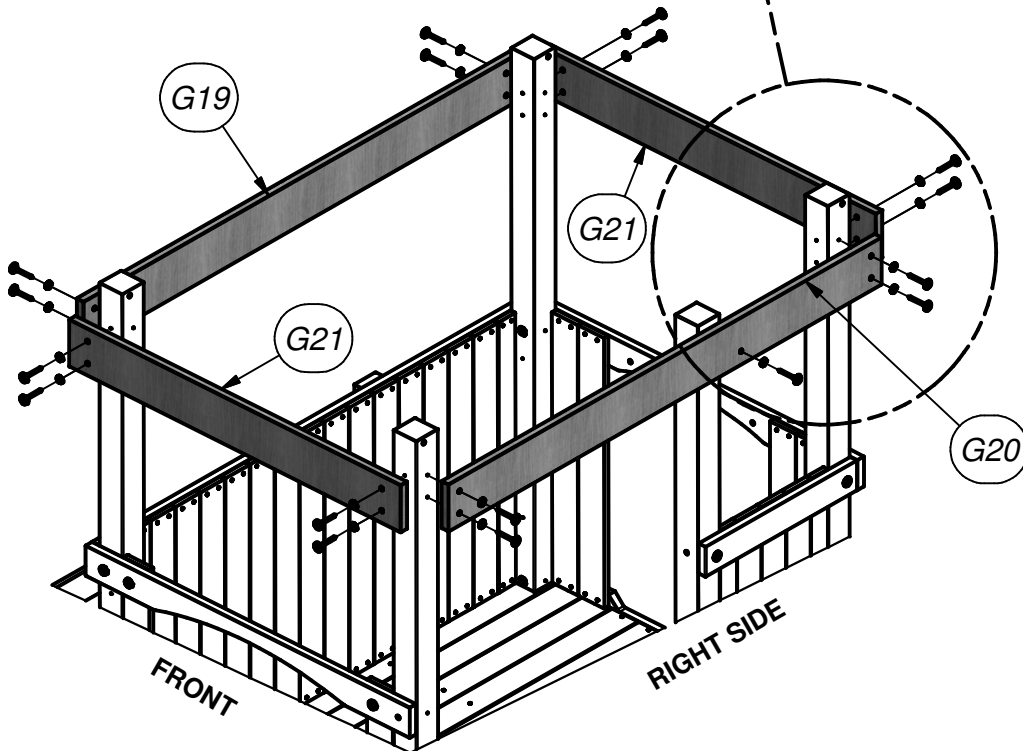


WASHER LOCK EXT 8x19 SD
(16 PLCS)

LAG SCREW WH 5/16x2 1/2 SD
(16 PLCS)

WASHER LOCK EXT 8x19 SD
(1 PLC)

LAG SCREW WH 5/16x2 1/2 SD
(1 PLC)



NOTE:
'G20' ORIENTATION

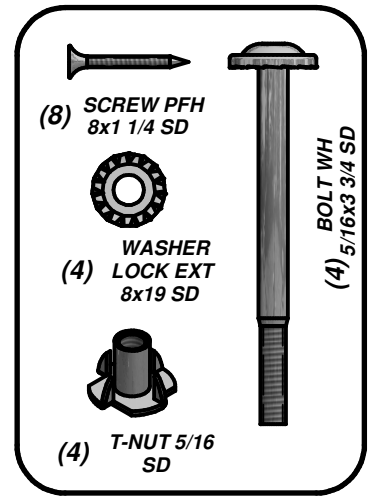
EXTERIOR VIEW
(ROOF RAILS)
SMALL FORT



(2) H41 - ROOF RAIL - W4L08769
1"x3 3/8"x37" (24x86x940)



(2) L1 - WALL BOARD - W4L11400
5/8"x4 3/8"x24 5/8" (16x112x626)



STEP 71

FIG. 2

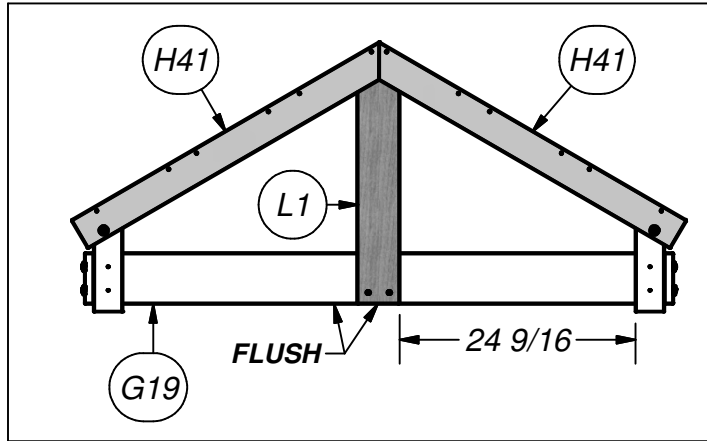
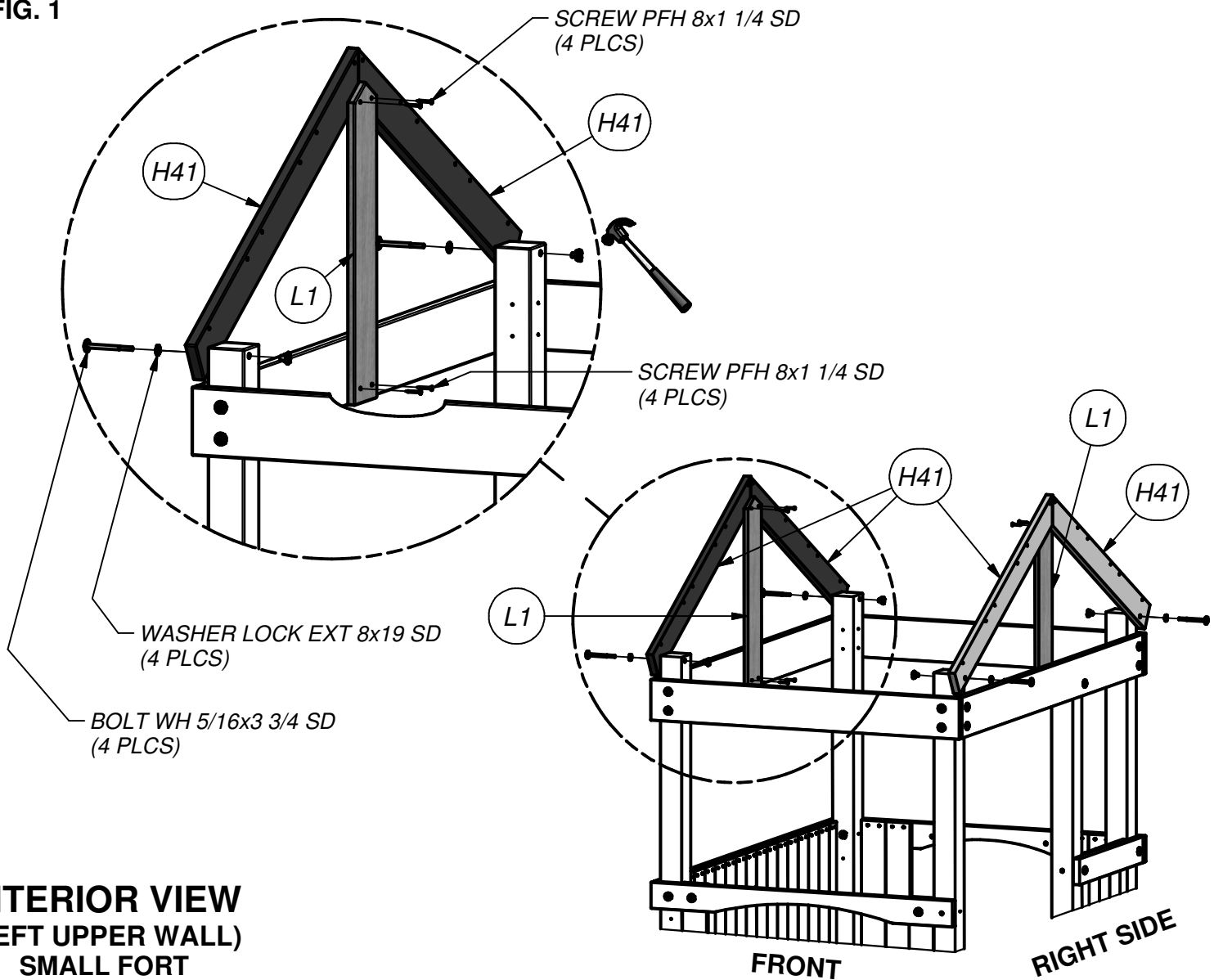


FIG. 1



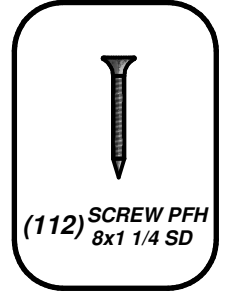
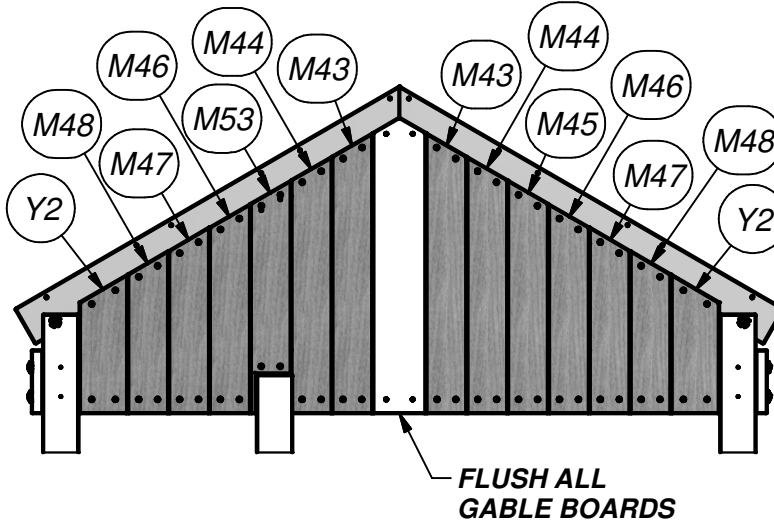
**INTERIOR VIEW
(LEFT UPPER WALL)
SMALL FORT**

- (4) **M43 - WALL BOARD - W4L11401**
5/8"x3 3/8"x23 3/8" (16x86x593)
- (3) **M45 - WALL BOARD - W4L11403**
5/8"x3 3/8"x19 3/8" (16x86x493)
- (4) **M47 - WALL BOARD - W4L11405**
5/8"x3 3/8"x15 1/2" (16x86x394)
- (4) **Y2 - WALL BOARD - W4L11407**
5/8"x4"x11 5/8" (16x102x294)
- (4) **M44 - WALL BOARD - W4L11402**
5/8"x3 3/8"x21 3/8" (16x86x543)
- (4) **M46 - WALL BOARD - W4L11404**
5/8"x3 3/8"x17 1/2" (16x86x443)
- (4) **M48 - WALL BOARD - W4L11406**
5/8"x3 3/8"x13 1/2" (16x86x344)
- (1) **M53 - WALL BOARD - W4L08782**
5/8"x3 3/8"x19 3/8" (16x86x493)

STEP 72

FIG. 1

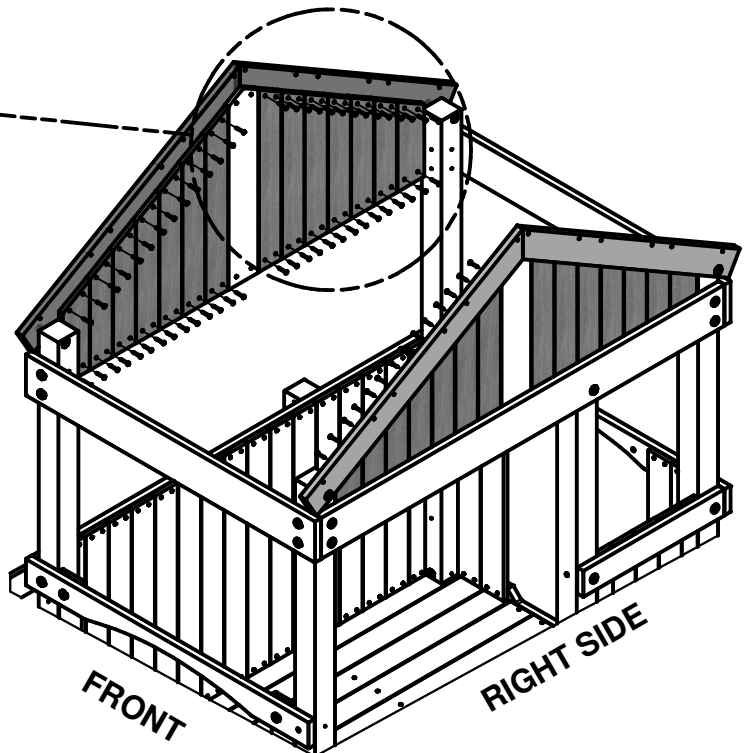
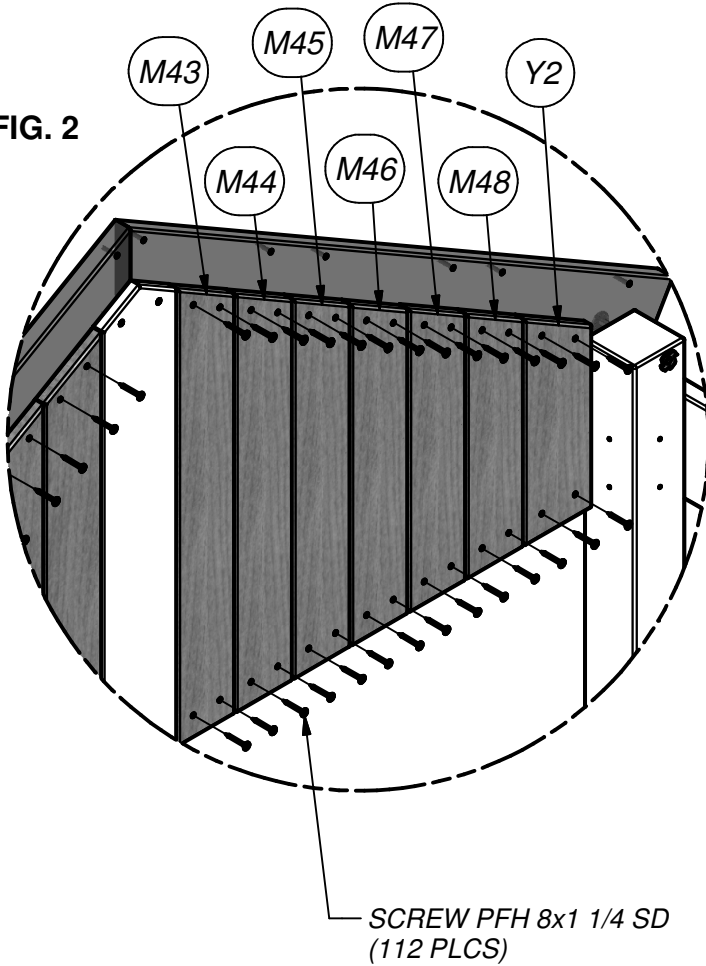
RIGHT SIDE GABLE



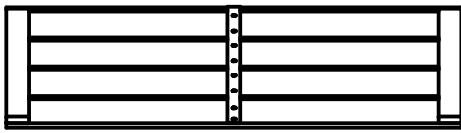
**NOTE:
EVENLY SPACE
GABLE BOARDS**

FIG. 2

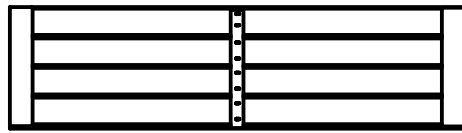
**NOTE:
LEFT SIDE BACK SHOWN.
REPEAT FOR FRONT ASSEMBLY.**



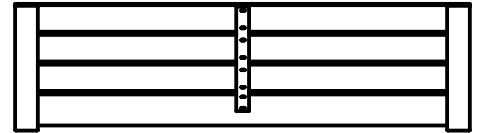
**INTERIOR VIEW
(GABLE ASSEMBLY)
SMALL FORT**



(1) RP8 - ROOF PANEL - W2A02518
1 9/16"x12 5/8"x47 3/8" (40x322x1204)



(1) RP9 - ROOF PANEL - W2A02519
1 9/16"x12 5/8"x47 3/8" (40x322x1204)



(1) RP10 - ROOF PANEL - W2A02520
1 9/16"x13 1/4"x47 3/8" (40x335x1204)

STEP 73

FIG. 2

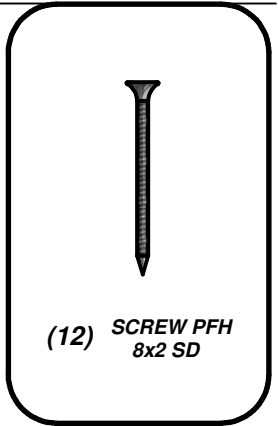
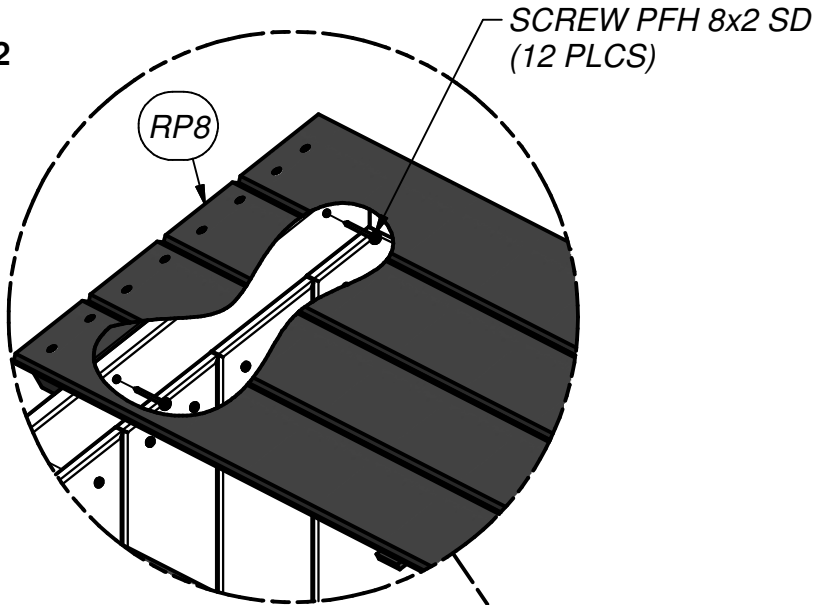
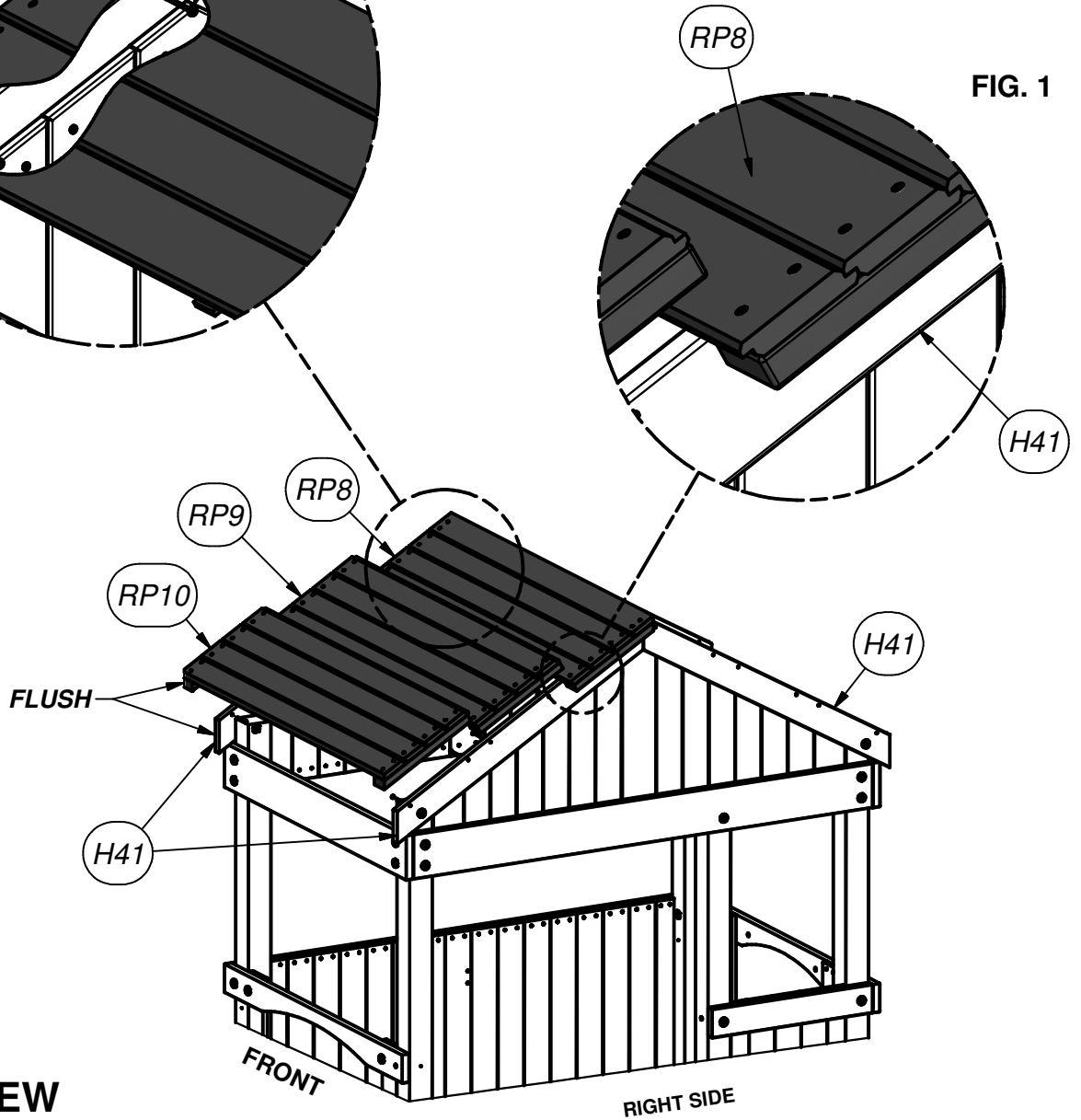
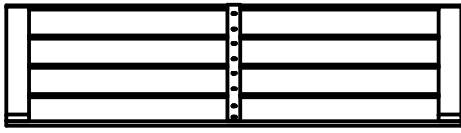


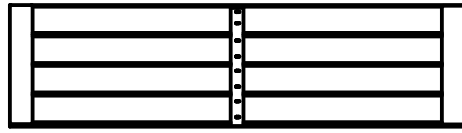
FIG. 1



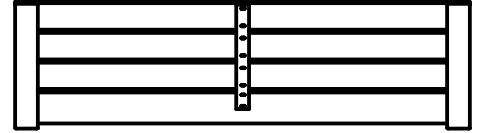
**EXTERIOR VIEW
(FRONT ROOF PANELS)
SMALL FORT**



(1) RP8 - ROOF PANEL - W2A02518
1 9/16"x12 5/8"x47 3/8" (40x322x1204)

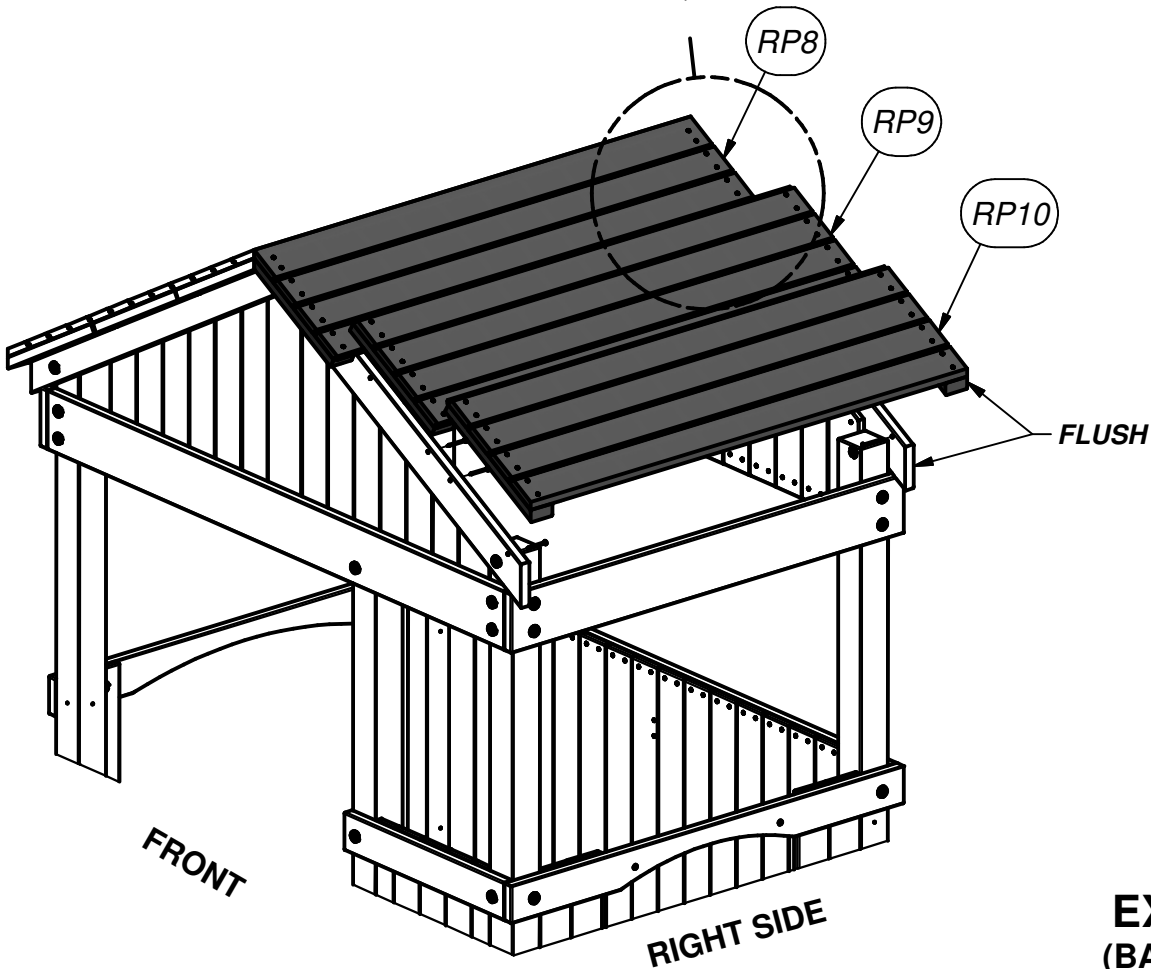
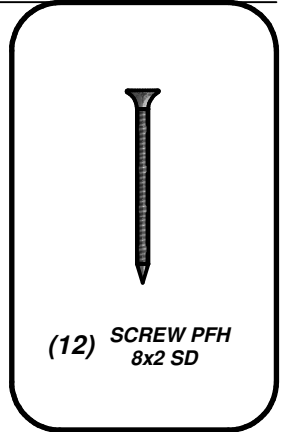
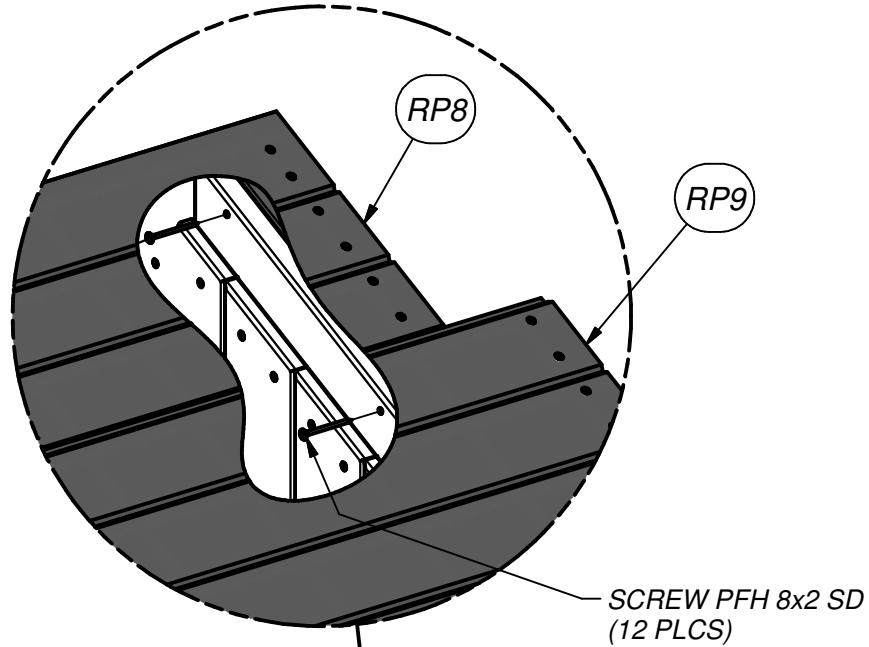


(1) RP9 - ROOF PANEL - W2A02519
1 9/16"x12 5/8"x47 3/8" (40x322x1204)



(1) RP10 - ROOF PANEL - W2A02520
1 9/16"x13 1/4"x47 3/8" (40x335x1204)

STEP 74



**EXTERIOR VIEW
(BACK ROOF PANELS)
SMALL FORT**



(1) H33 - PICKET - W4L11412
1"x3 3/8"x25 1/2" (24x86x648)

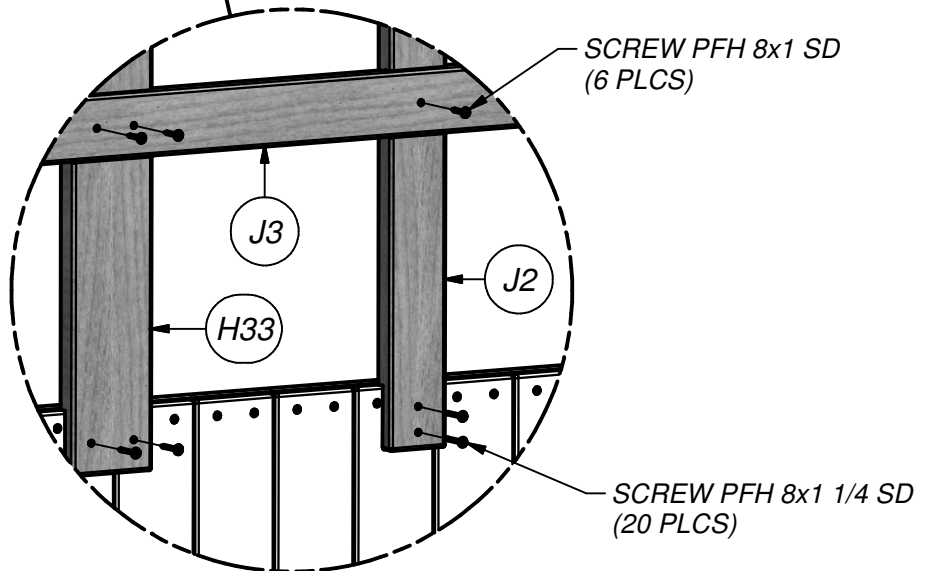
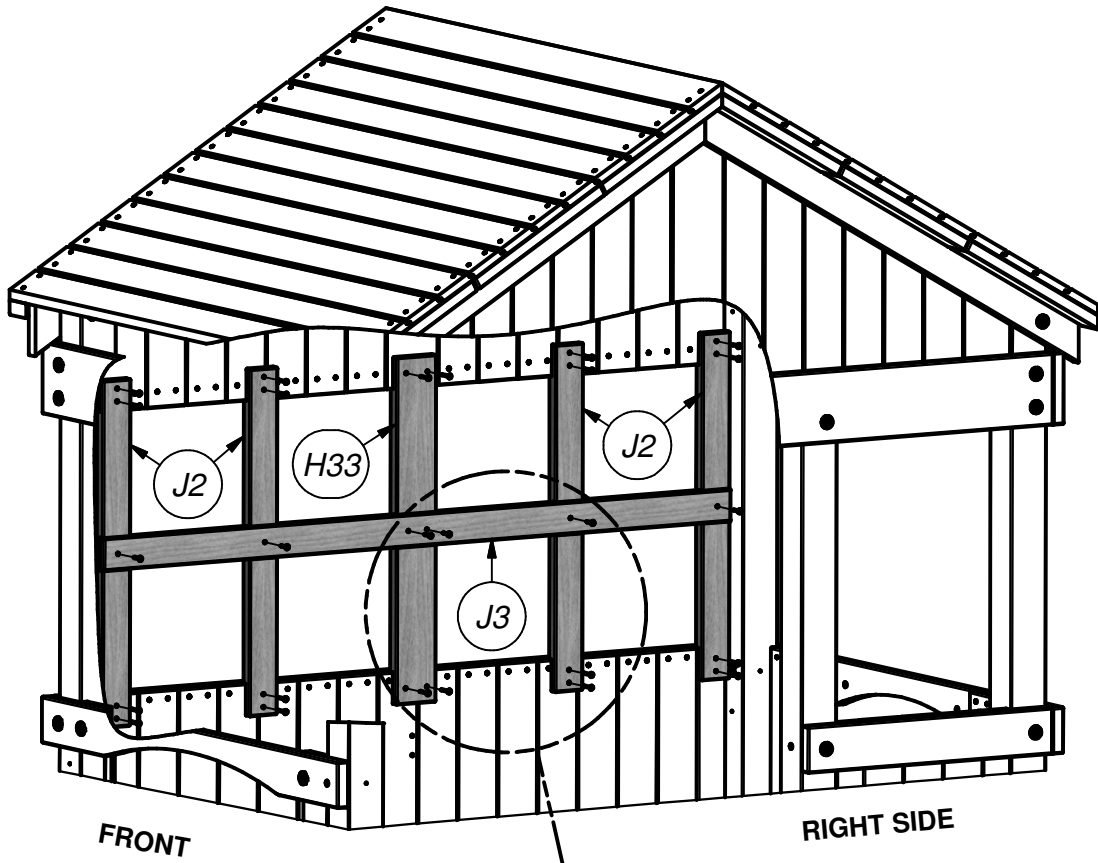
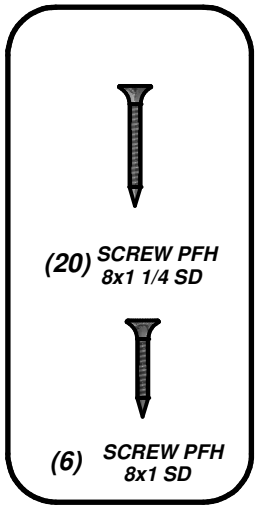


(4) J2 - WINDOW BOARD - W4L11411
1"x2 3/8"x25 1/2" (24x60x648)



(1) J3 - WINDOW RAIL - W4L11413
1"x2 3/8"x53 1/2" (24x60x1358)

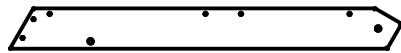
STEP 75



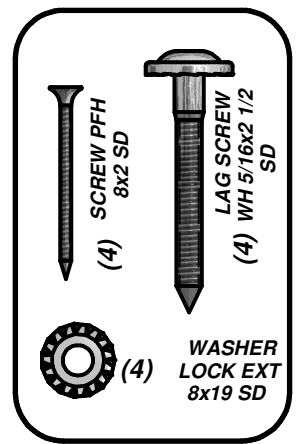
**INTERIOR VIEW
(PORCH SIDE WINDOW FRAME)
SMALL FORT**



(1) Q1 - RAIL - W4L08783
1"x4 3/8"x59 1/2" (24x112x1510)



(2) H42 - ROOF RAIL - W4L08770
1"x3 3/8"x32 5/8" (24x86x830)



STEP 76

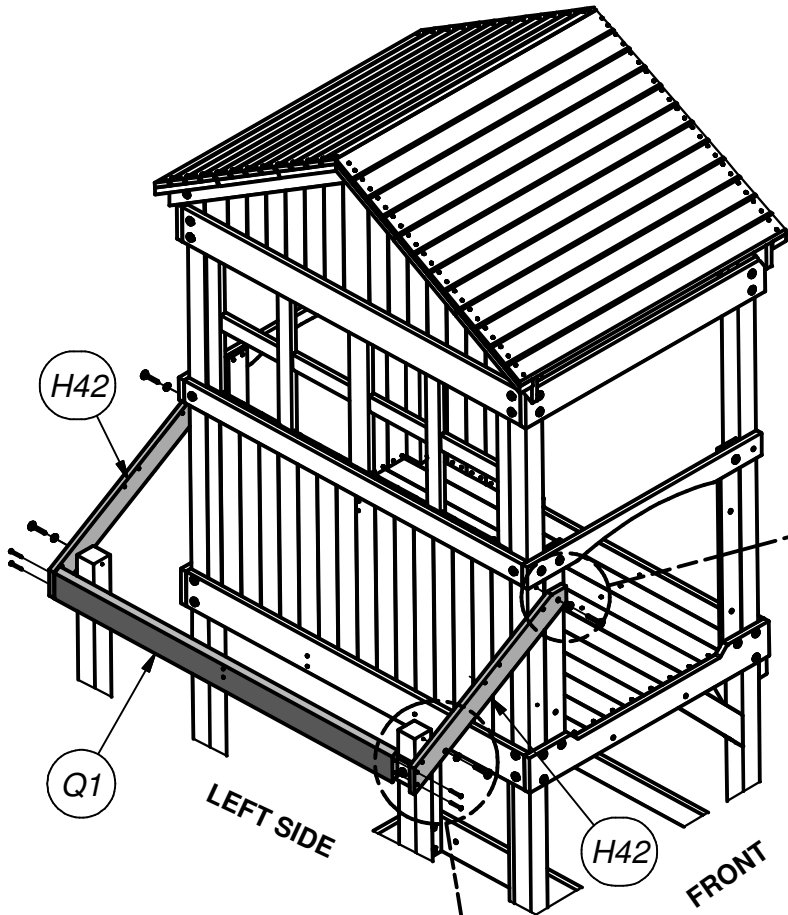


FIG. 1

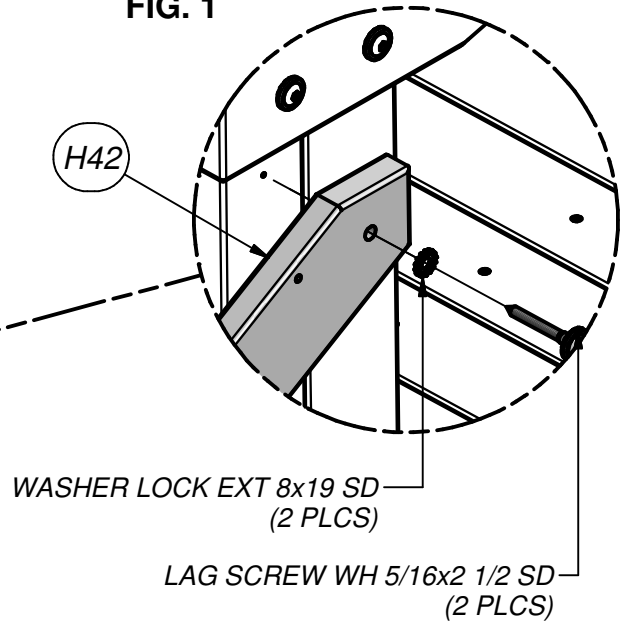
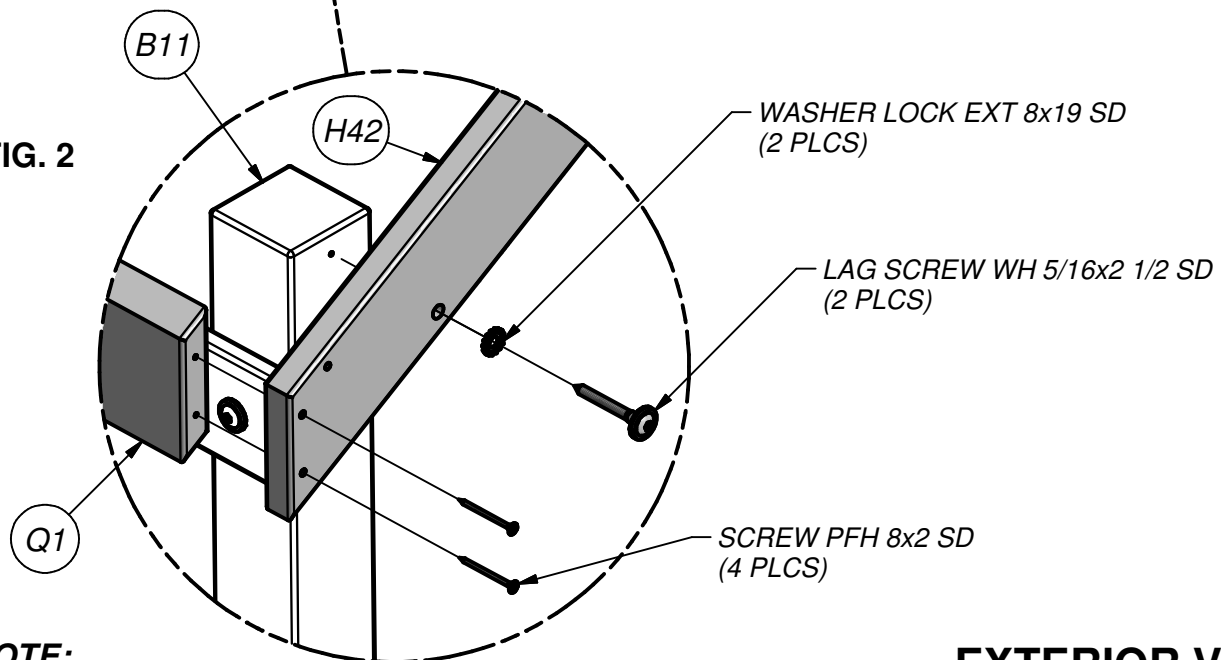


FIG. 2

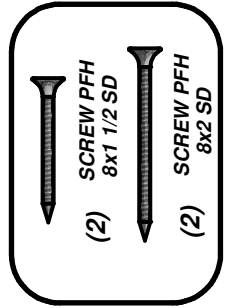


NOTE:
'Q1' ORIENTATION

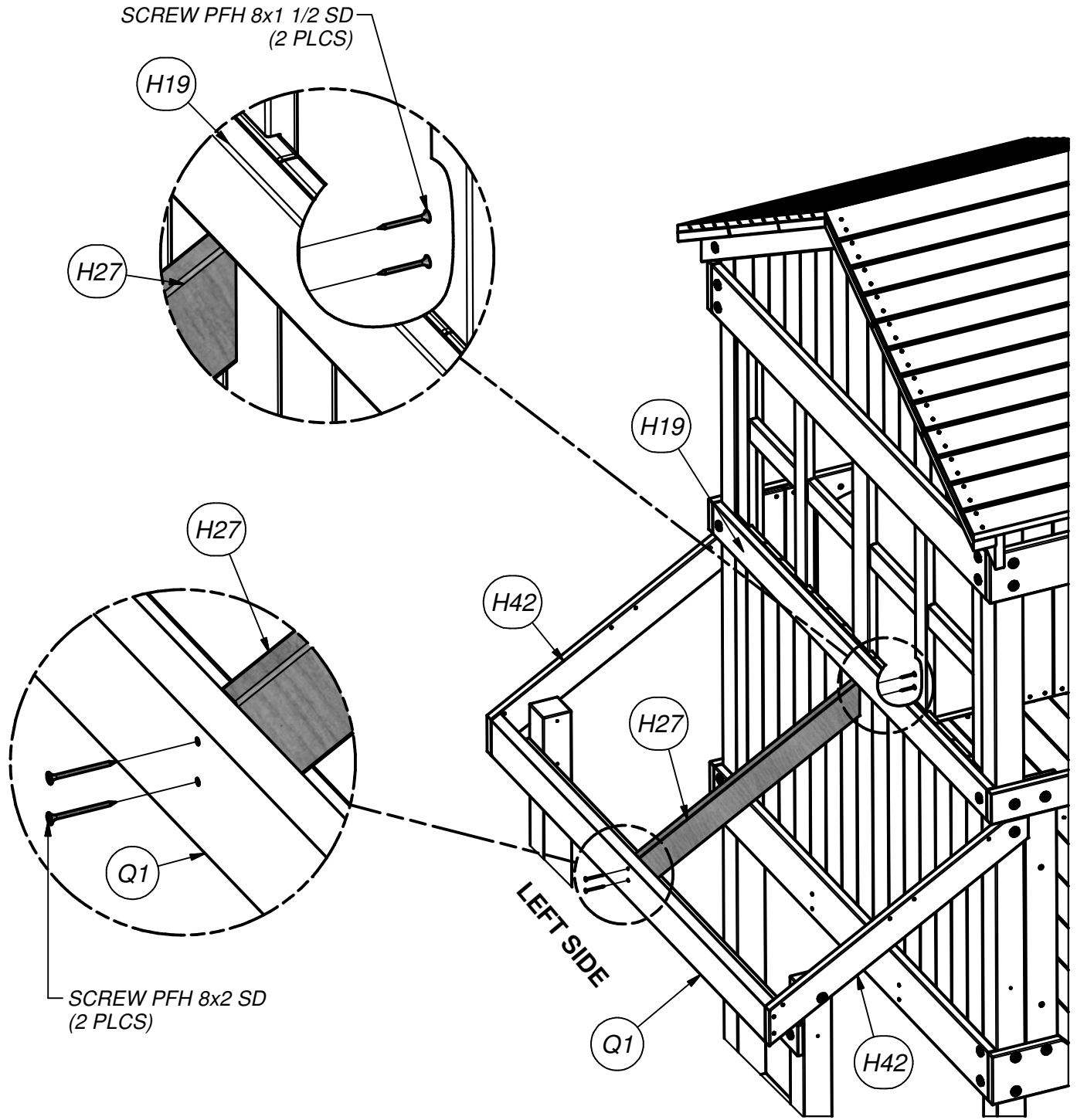
EXTERIOR VIEW
(PORCH OUTER ROOF TRUSSES)
SMALL FORT



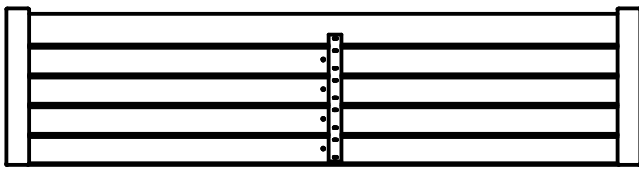
(1) H27 - ROOF JOIST - W4L08780
1"x3 3/8"x28 3/4" (24x86x730)



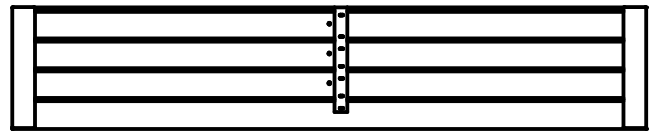
STEP 77



**EXTERIOR VIEW
(PORCH ROOF CENTER TRUSS)
SMALL FORT**

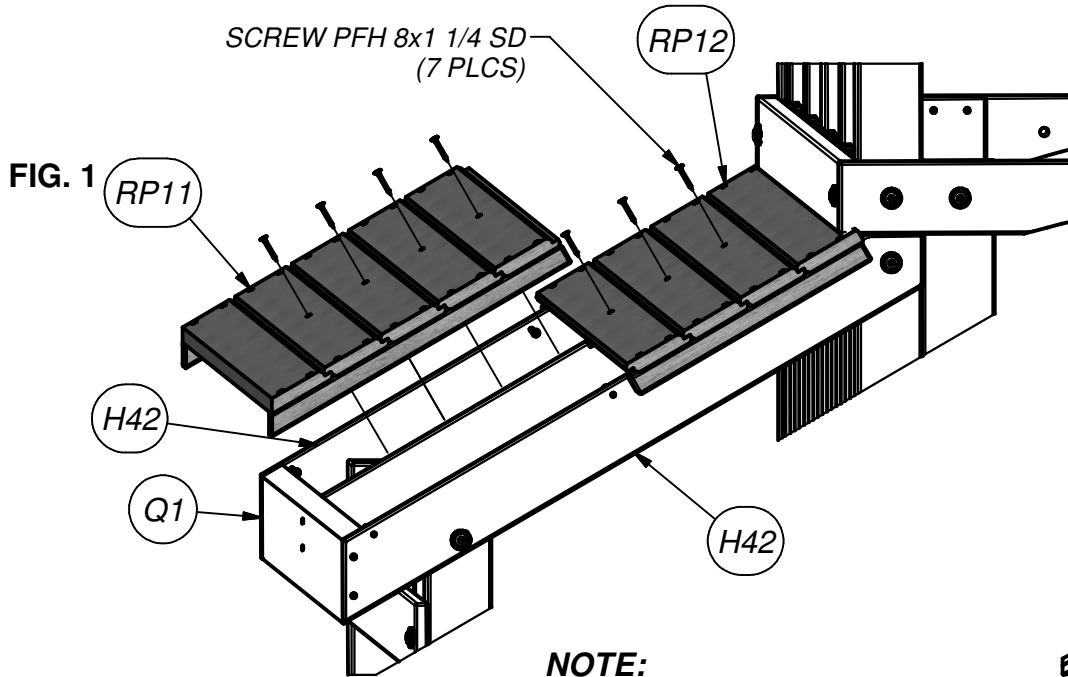
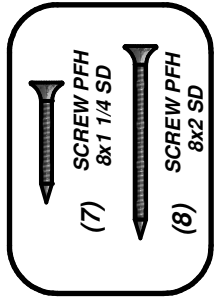


(1) RP11 - ROOF PANEL - W2A02521
1 9/16"x16 1/4"x66 1/16" (40x413x1678)

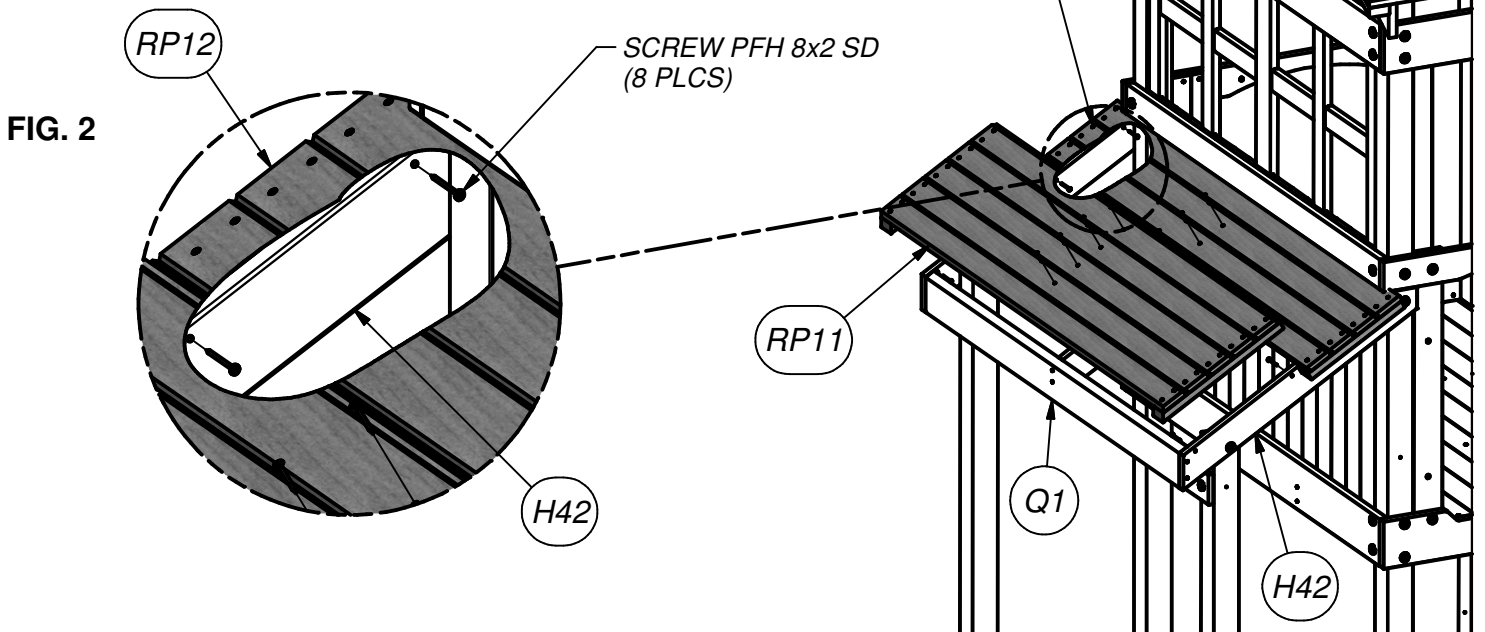


(1) RP12 - ROOF PANEL - W2A02522
1 9/16"x12 11/16"x66 1/16" (40x323x1678)

STEP 78



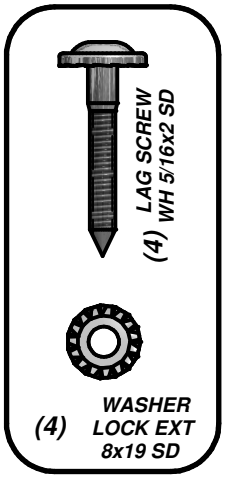
NOTE:
PANEL ORIENTATION



**EXTERIOR VIEW
(PORCH ROOF PANELS)
SMALL FORT**

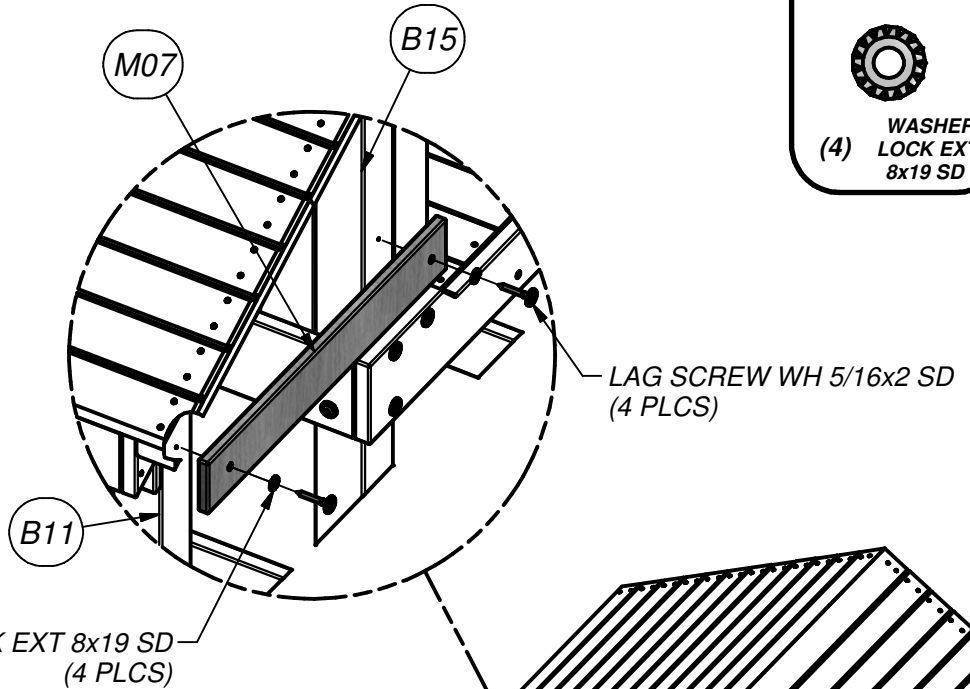


(2) M07 - WALL RAIL - W4L11355
5/8"x3 3/8"x23 7/8" (16x86x606)



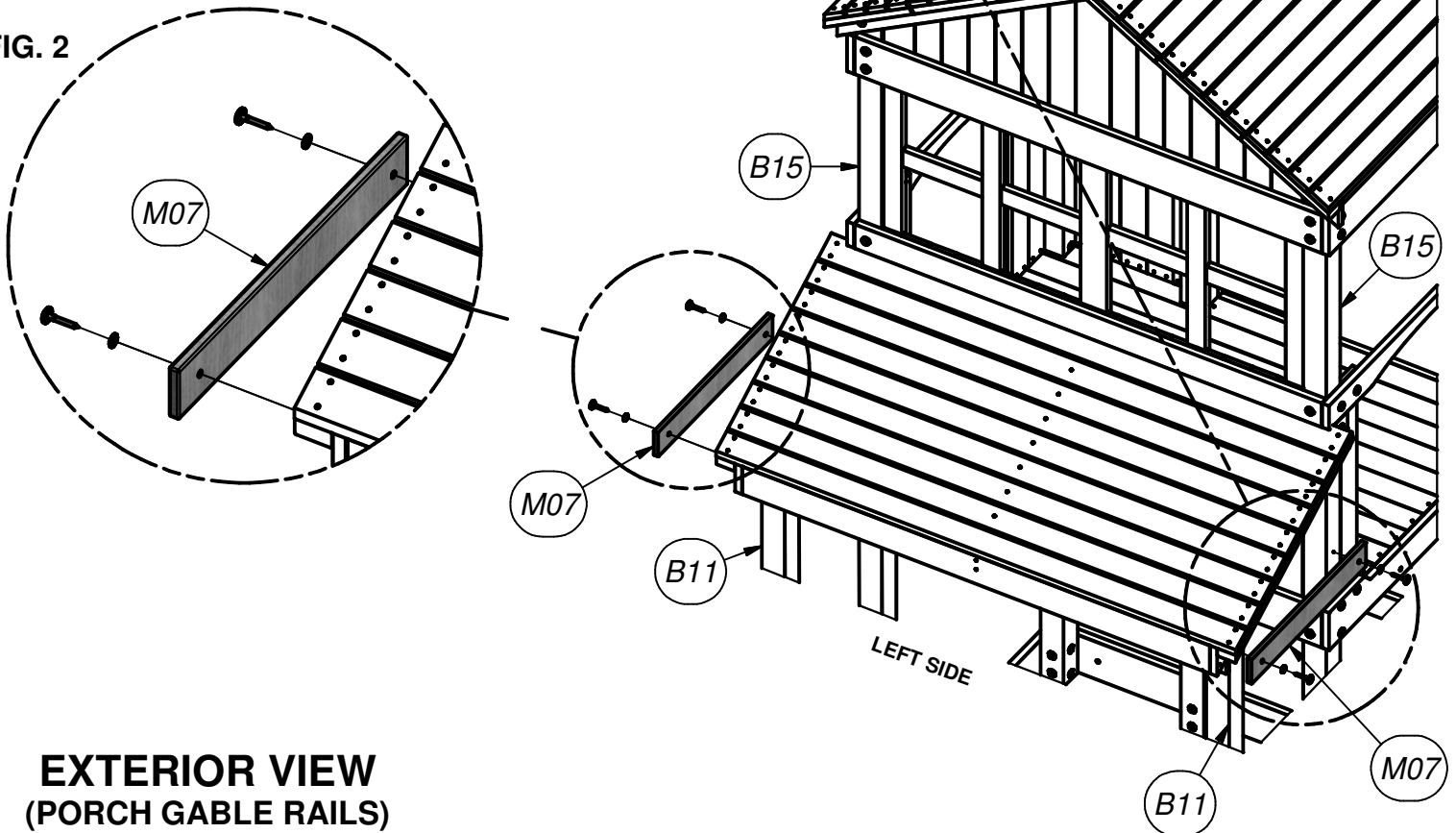
STEP 79

FIG. 1



Note: It is vital that the fort be level before and after each phase of assembly.

FIG. 2



**EXTERIOR VIEW
(PORCH GABLE RAILS)
SMALL FORT**



(2) **M41 - WALL BOARD - W4L11399**
5/8"x3 3/8"x10 1/2" (16x86x268)



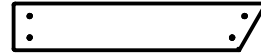
(2) **M39 - WALL BOARD - W4L11396**
5/8"x3 3/8"x16 1/2" (16x86x418)



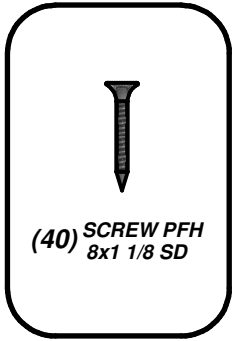
(2) **M22 - WALL BOARD - W4L11398**
5/8"x3 3/8"x12 1/2" (16x86x318)



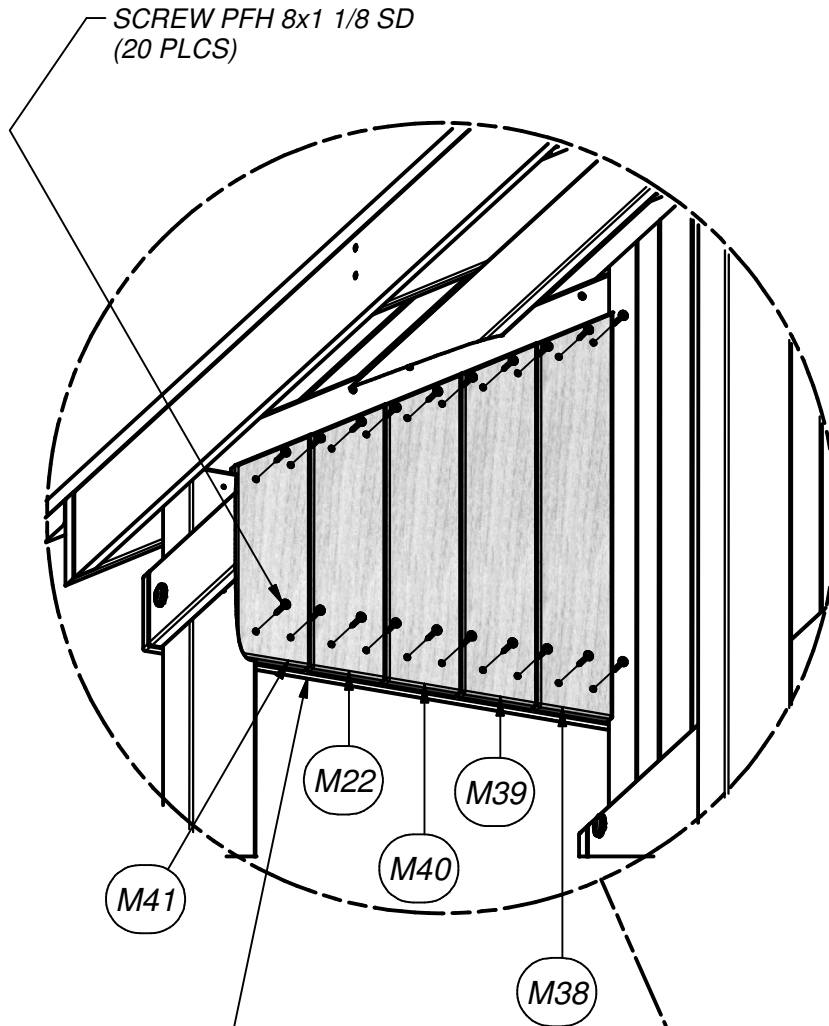
(2) **M40 - WALL BOARD - W4L11397**
5/8"x3 3/8"x14 1/2" (16x86x368)



(2) **M38 - WALL BOARD - W4L11395**
5/8"x3 3/8"x18 3/8" (16x86x468)



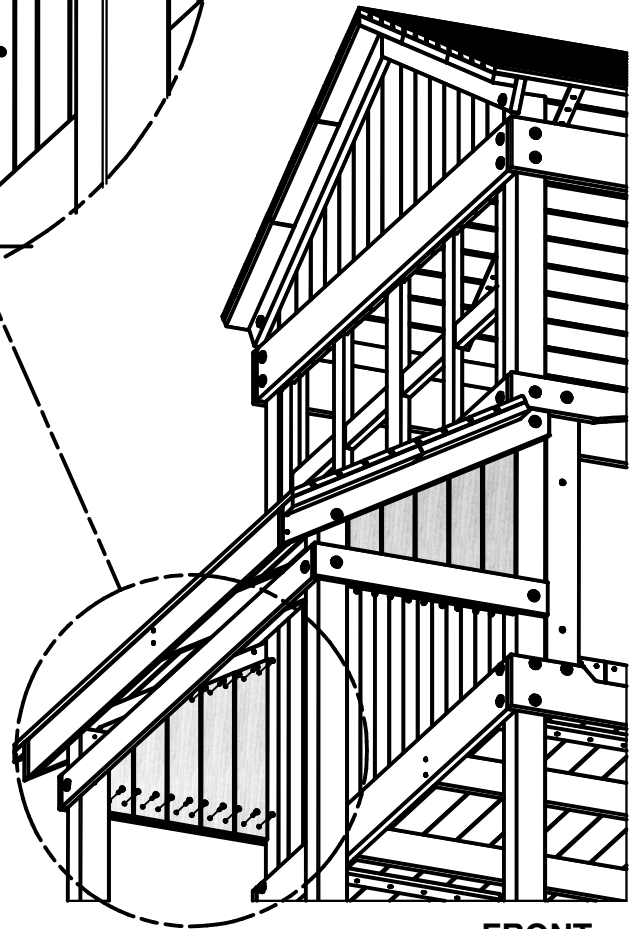
STEP 80



SCREW PFH 8x1 1/8 SD
(20 PLCS)

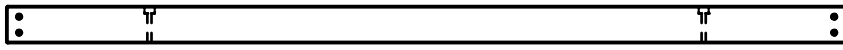
FLUSH GABLE
BOARDS WITH
'M07' RAIL

NOTE:
REPEAT FOR FRONT GABLE



INTERIOR VIEW
(PORCH GABLE INSTALLATION)
SMALL FORT

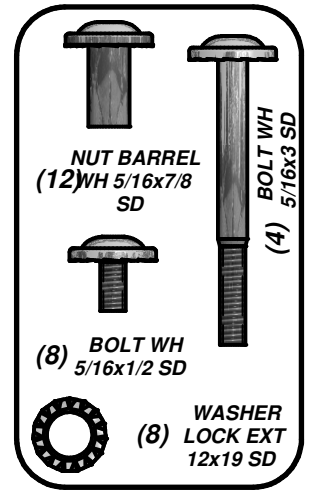
FRONT



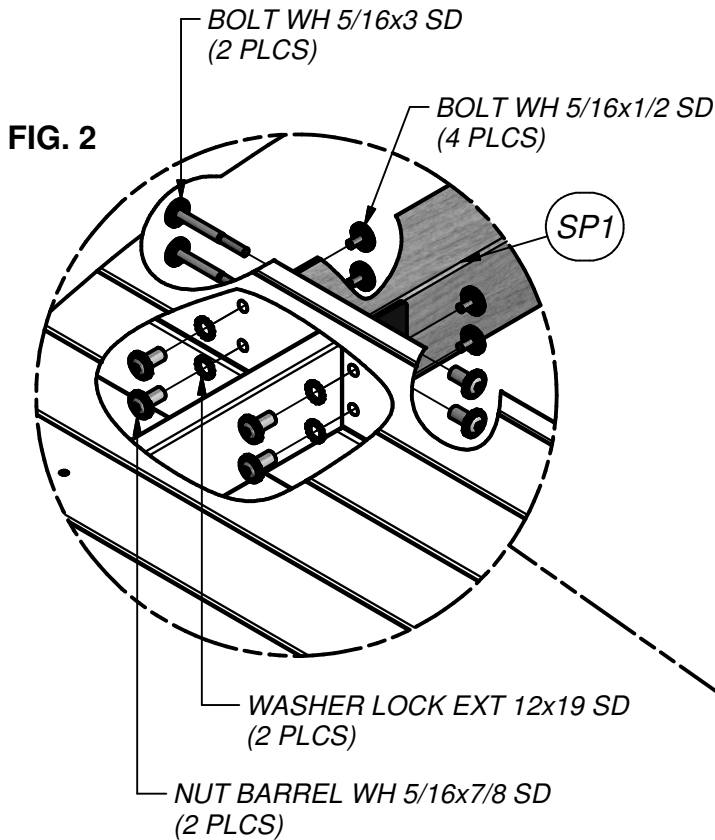
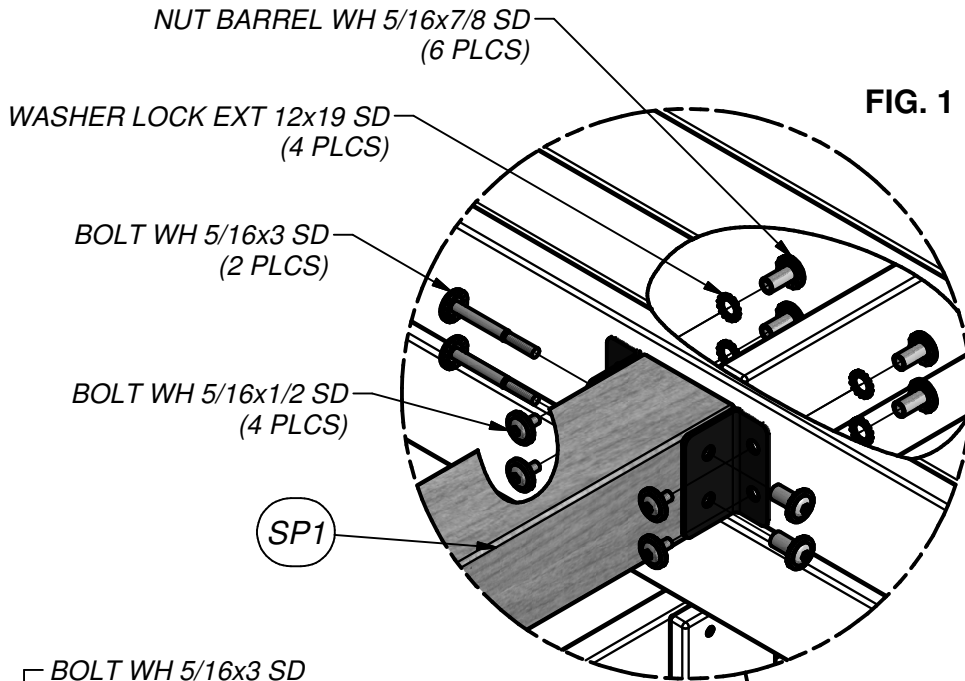
(1) **SP1 - BRIDGE JOIST - W4L11315**
 3 3/8"x3 3/8"x78 3/4" (86x86x2000)



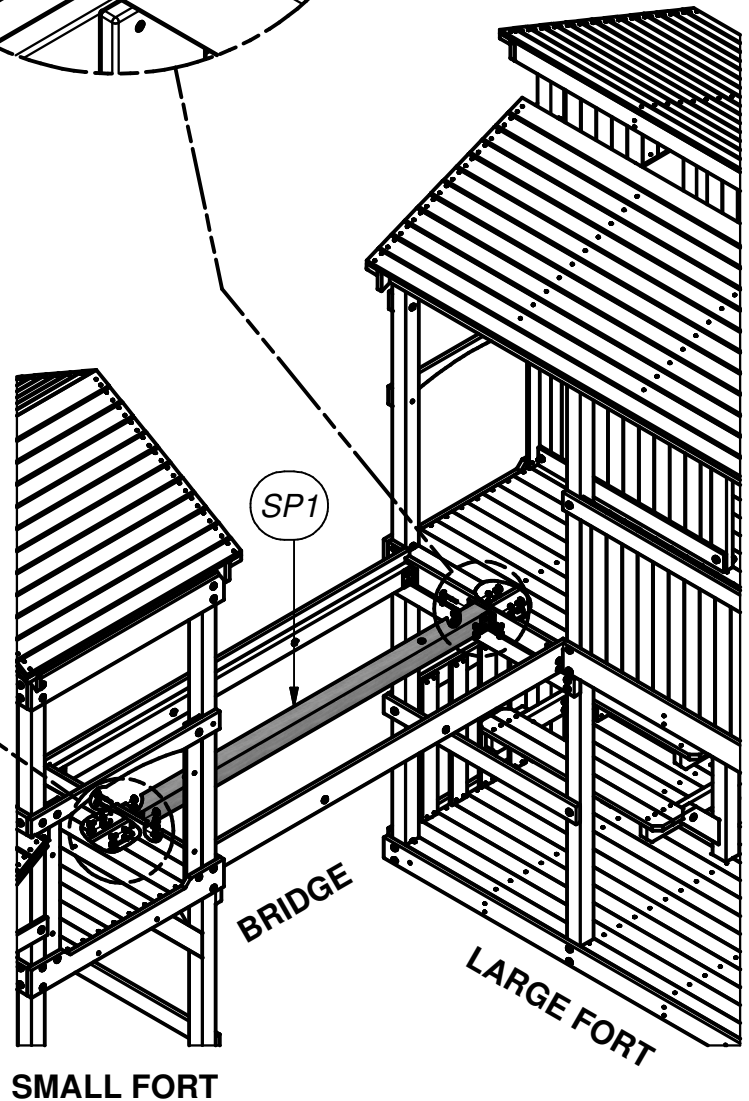
(4) **WM - L BRACKET 51x32x82x3.175 - A4M00852**
L BRACKET 51x32x82x3.175



STEP 82

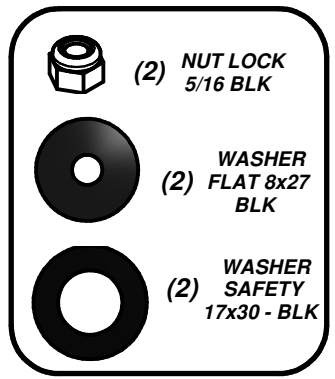


EXTERIOR VIEW
(CENTER BRIDGE JOIST)
BRIDGE

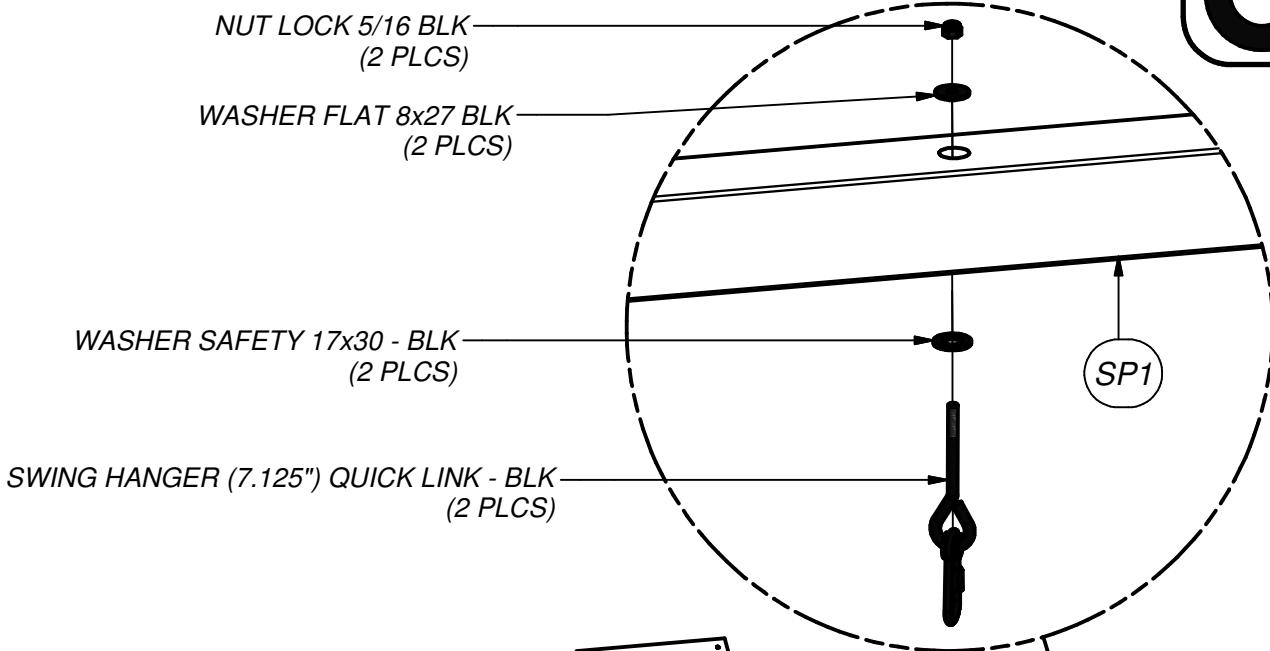




(2) - SWING HANGER (7.125") QUICK LINK - BLK - H100496



STEP 83

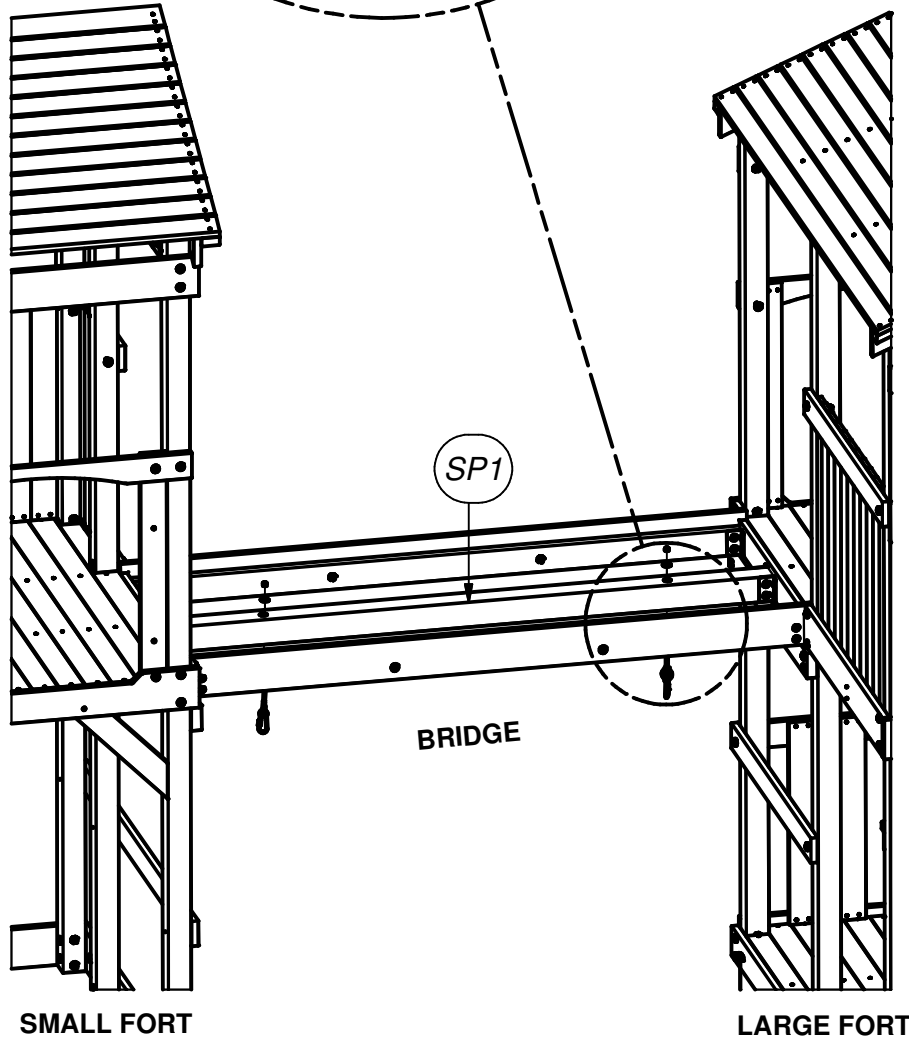


NUT LOCK 5/16 BLK
(2 PLCS)

WASHER FLAT 8x27 BLK
(2 PLCS)

WASHER SAFETY 17x30 - BLK
(2 PLCS)

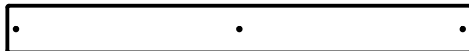
SWING HANGER (7.125") QUICK LINK - BLK
(2 PLCS)



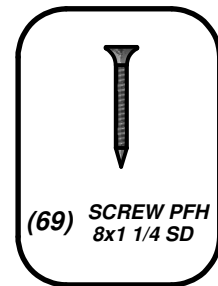
EXTERIOR VIEW
(PORCH RAILS - LEFT SIDE)
SMALL FORT

SMALL FORT

LARGE FORT

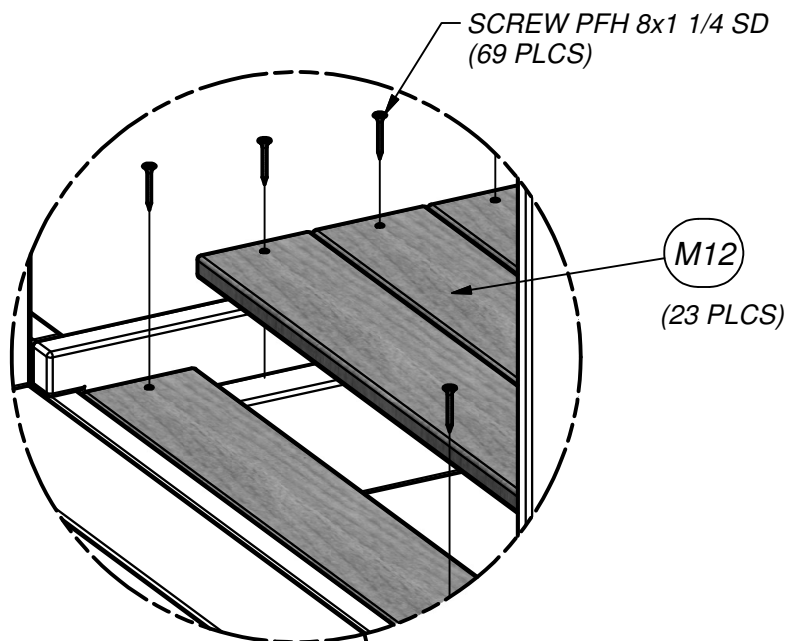


(23) M12 - FLOOR BOARD - W4L11313
5/8"x3 3/8"x33 7/8" (16x86x860)

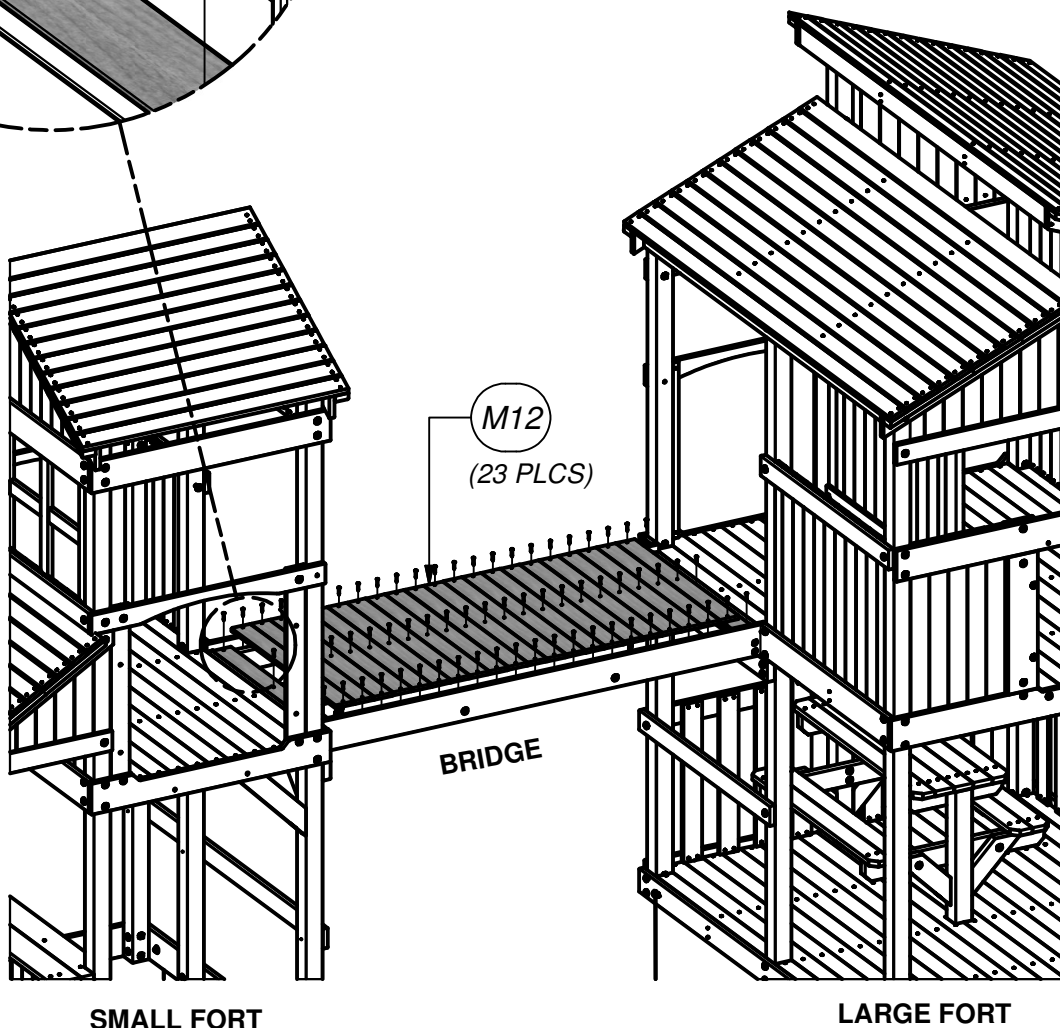


(69) SCREW PFH
8x1 1/4 SD

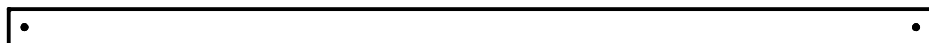
STEP 84



NOTE:
'M12' FLOOR BOARDS
EVENLY SPACED

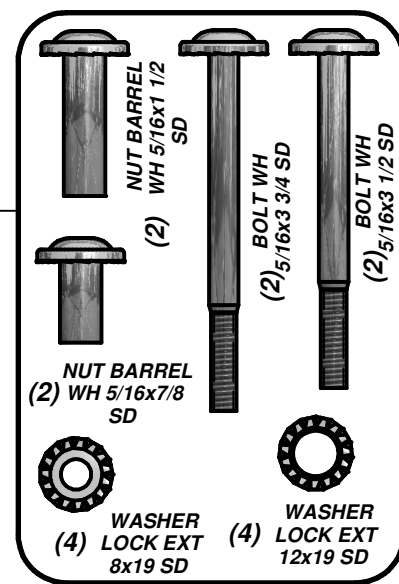


EXTERIOR VIEW
(BRIDGE FLOOR BOARDS)
BRIDGE



(2) H12 - BRIDGE RAIL - W4L11314
1"x3 3/8"x86 5/8" (24x86x2200)

STEP 85



NUT BARREL
WH 5/16x1 1/2 SD

(2) NUT BARREL
WH 5/16x7/8 SD

(2) BOLT WH
5/16x3 3/4 SD

(2) BOLT WH
5/16x3 1/2 SD

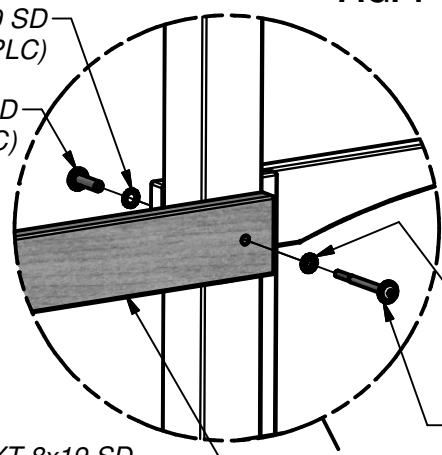
WASHER
LOCK EXT
8x19 SD

(4) WASHER
LOCK EXT
12x19 SD

WASHER
LOCK EXT
12x19 SD

(4) WASHER
LOCK EXT
8x19 SD

FIG. 1



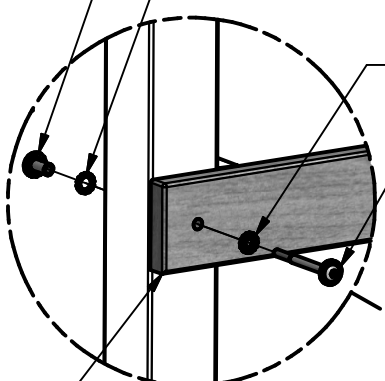
WASHER LOCK EXT 12x19 SD
(1 PLC)

NUT BARREL WH 5/16x1 1/2 SD
(1 PLC)

WASHER LOCK EXT 8x19 SD
(1 PLC)

BOLT WH 5/16x3 3/4 SD
(1 PLC)

FIG. 2



NUT BARREL WH 5/16x7/8 SD
(1 PLC)

WASHER LOCK EXT 12x19 SD
(1 PLC)

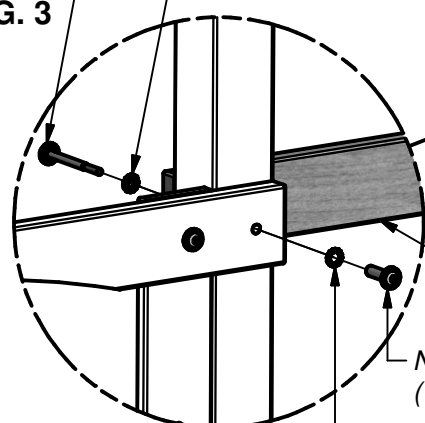
WASHER LOCK EXT 8x19 SD
(1 PLC)

BOLT WH 5/16x3 1/2 SD
(1 PLC)

H12

H12

FIG. 3



BOLT WH 5/16x3 3/4 SD
(1 PLC)

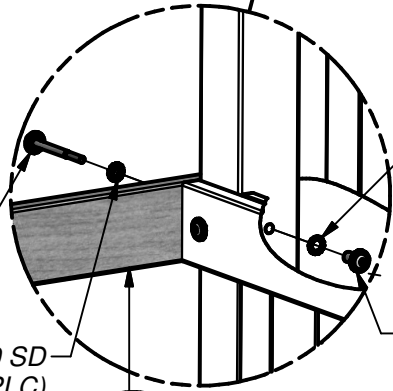
WASHER LOCK EXT 8x19 SD
(1 PLC)

H12

NUT BARREL WH 5/16x1 1/2 SD
(1 PLC)

WASHER LOCK EXT 12x19 SD
(1 PLC)

FIG. 4



WASHER LOCK
EXT 12x19 SD
(1 PLC)

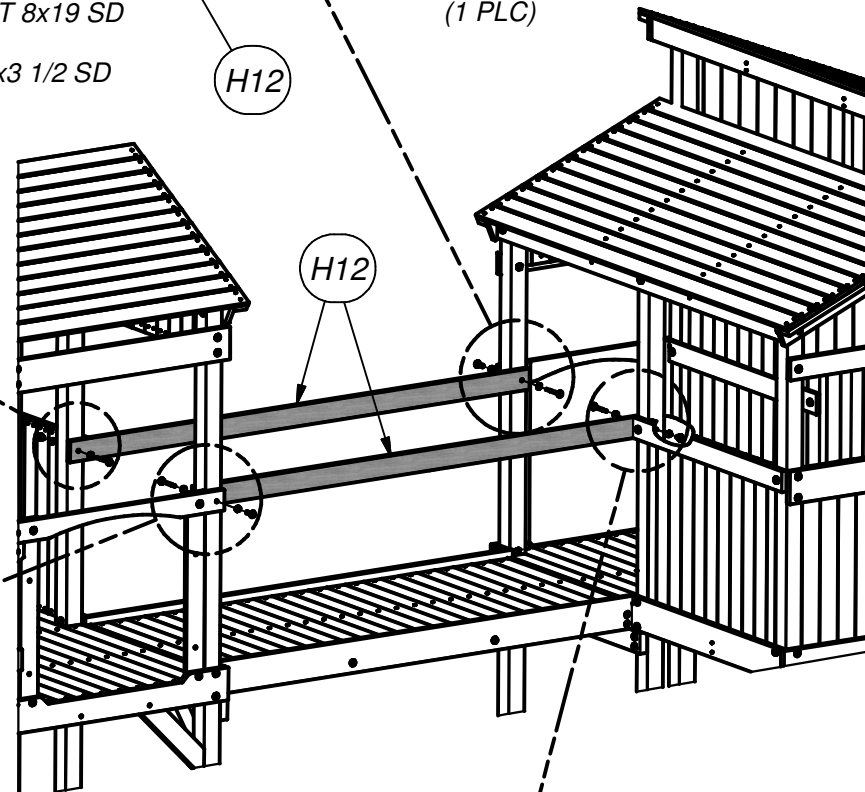
BOLT WH 5/16x3 1/2 SD
(1 PLC)

WASHER LOCK EXT 8x19 SD
(1 PLC)

NUT BARREL
WH 5/16x7/8 SD
(1 PLC)

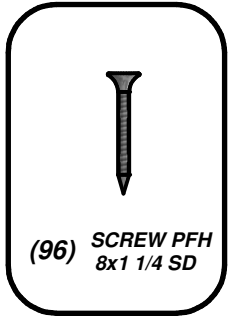
H12

**EXTERIOR VIEW
(BRIDGE RAILS)
BRIDGE**



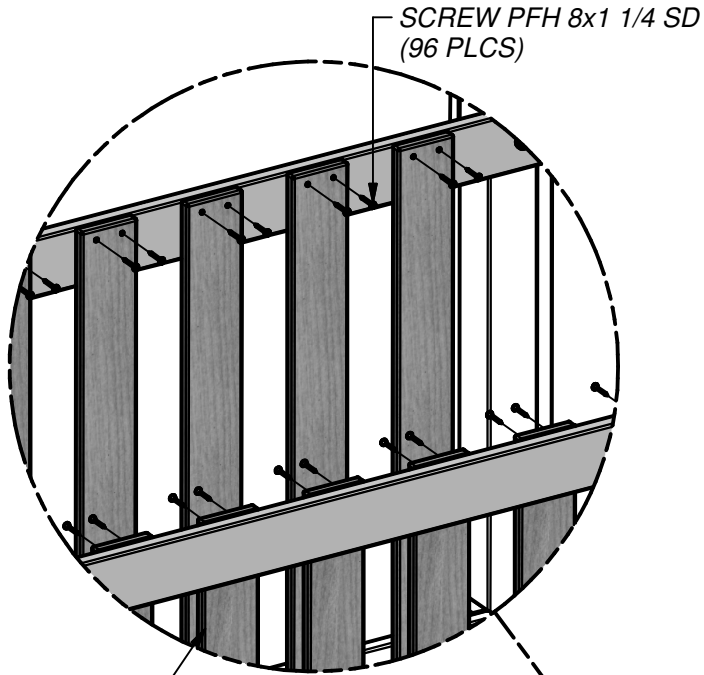


(24) M09 - WALL BOARD - W4L11292
5/8"x3 3/8"x30" (16x86x762)

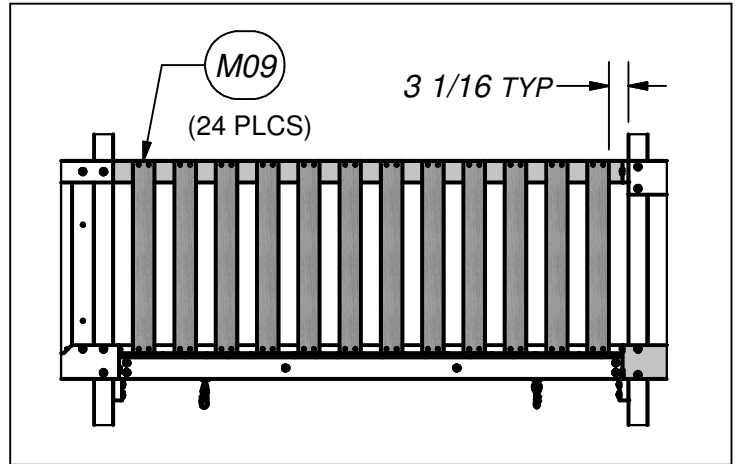


(96) SCREW PFH
8x1 1/4 SD

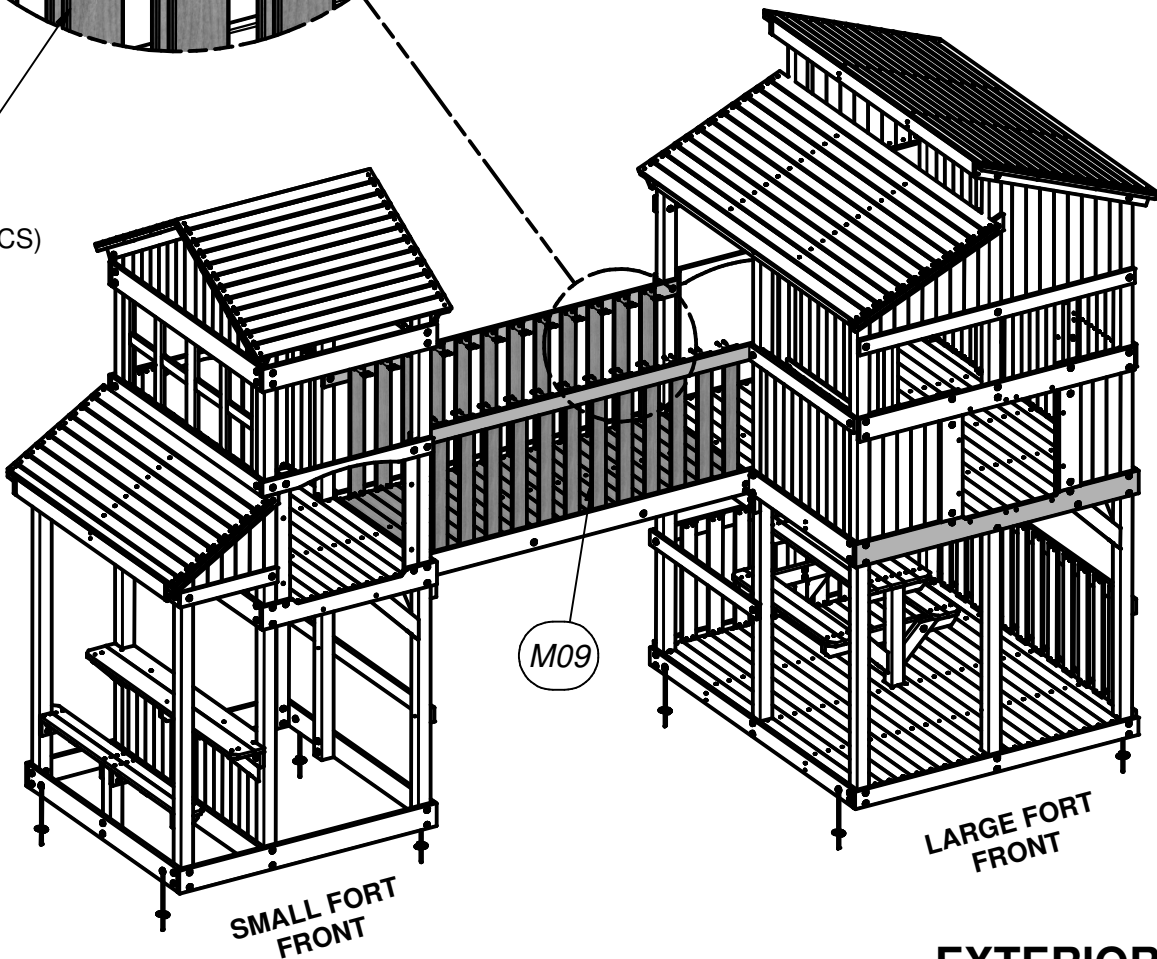
STEP 86



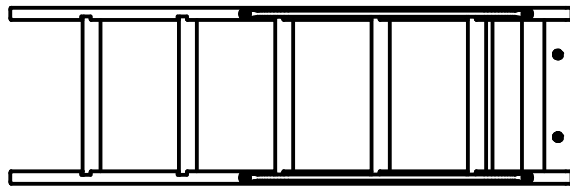
PICKET POSITION DIAGRAM



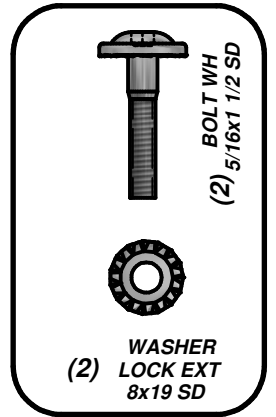
M09
(24 PLCS)



**EXTERIOR VIEW
(BRIDGE PICKETS)**

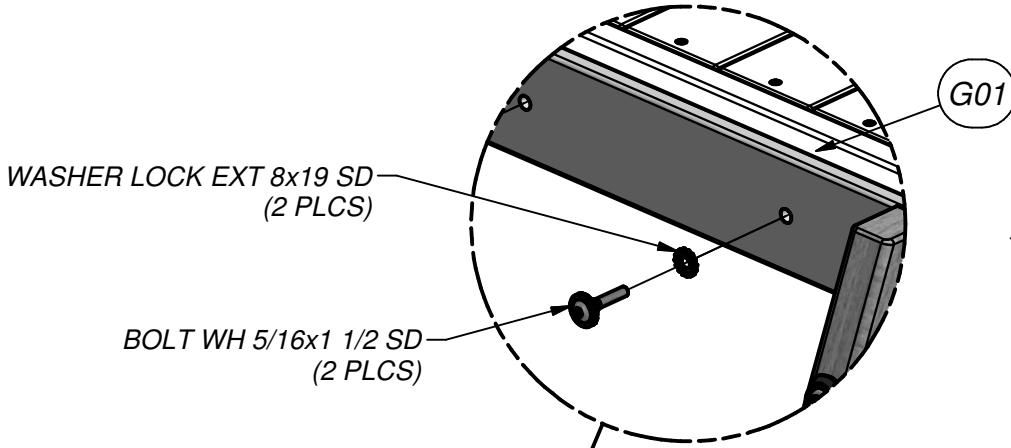


(1) LADDER ASSEMBY



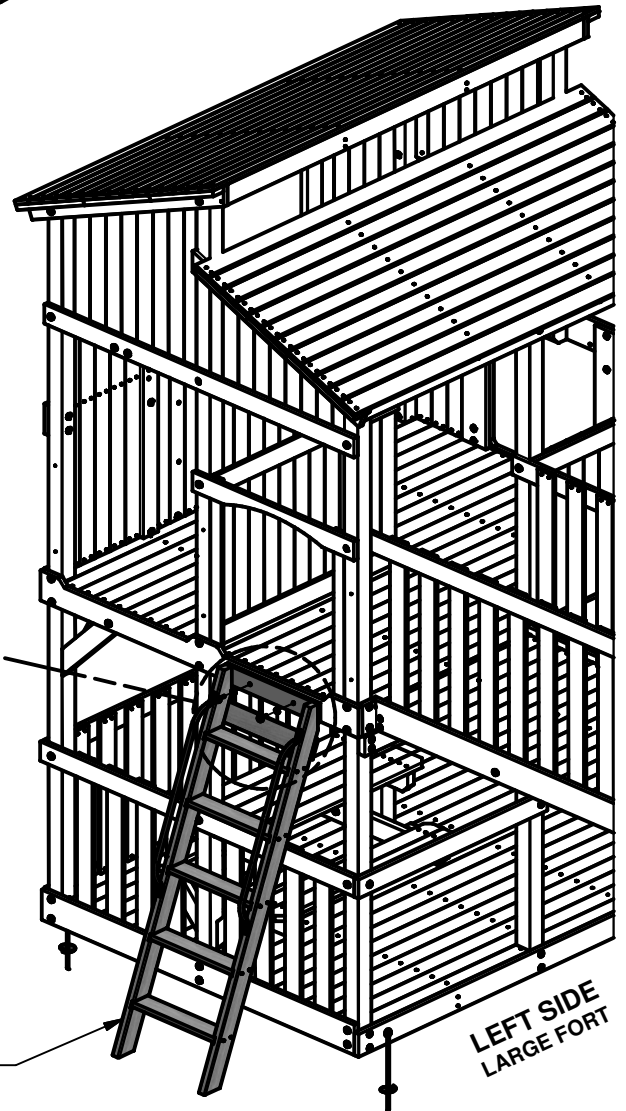
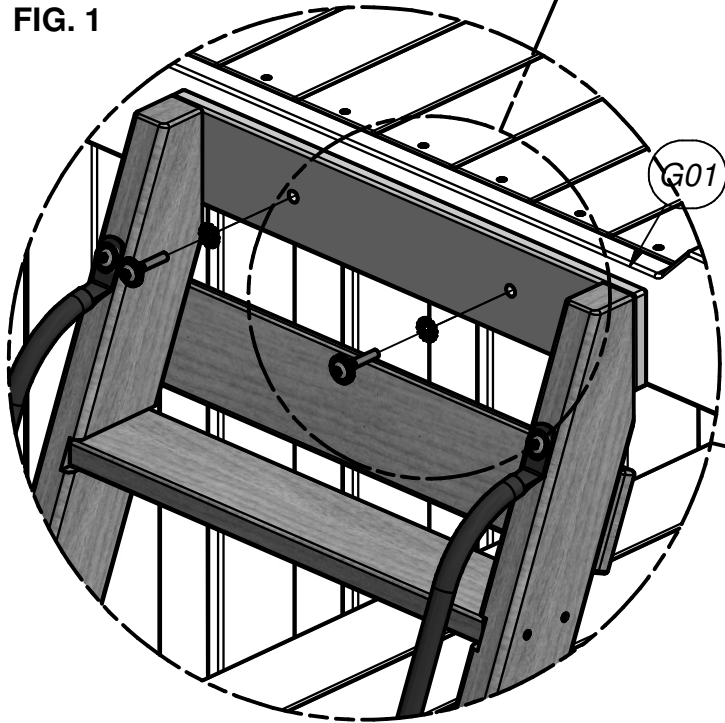
STEP 87

FIG. 2



NOTE:
USE TNUTS IN 'G01'
TO ATTACH LADDER

FIG. 1



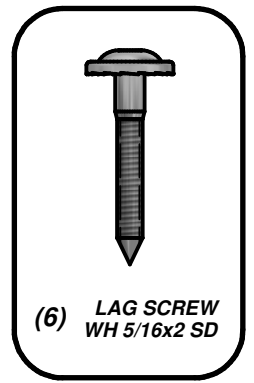
LADDER ASSEMBLY

LEFT SIDE
LARGE FORT

**EXTERIOR VIEW
(LADDER ON BACK)
LARGE FORT**



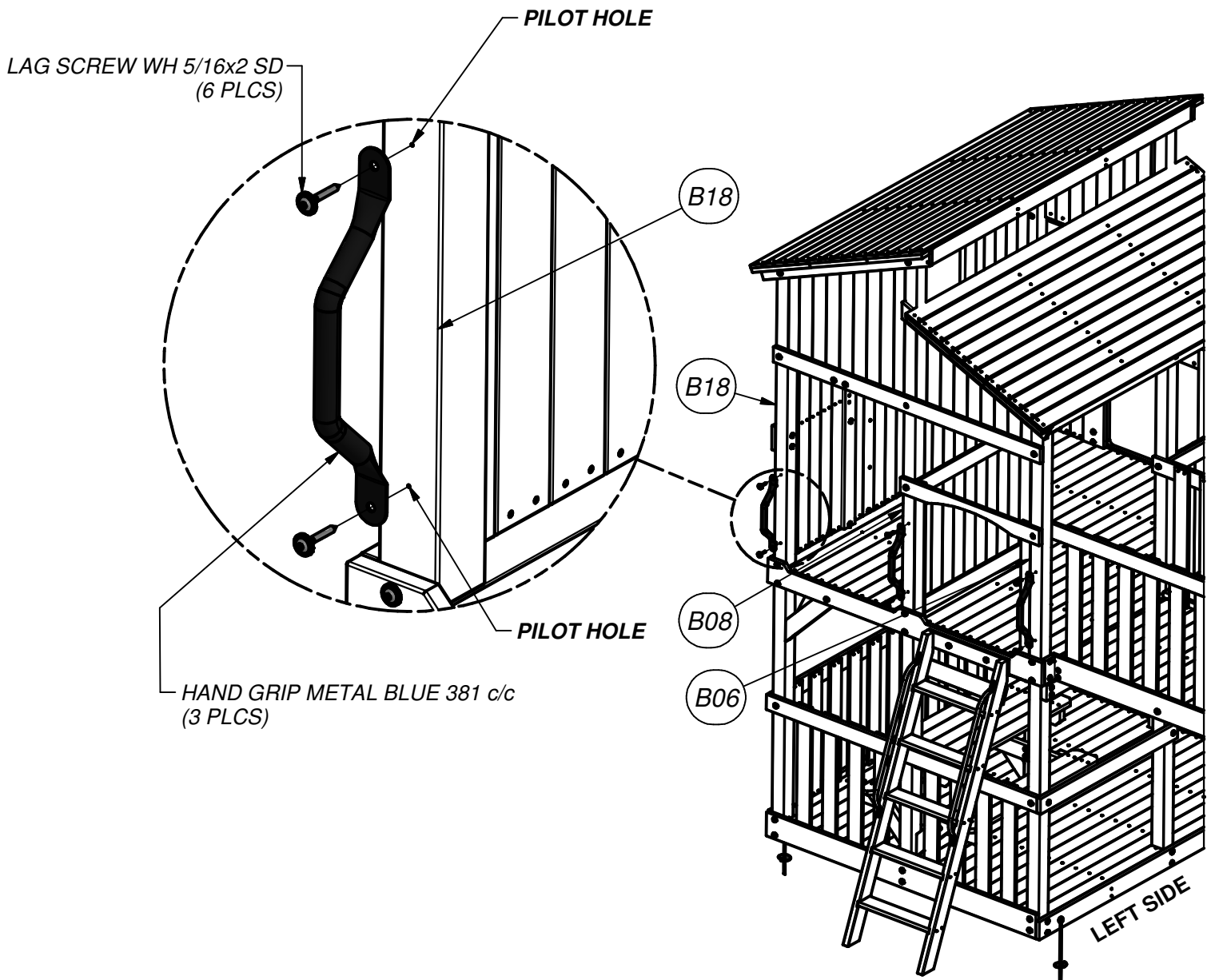
(3) FX - HAND GRIP METAL BLUE 381 c/c - A4M00769



(6) LAG SCREW
WH 5/16x2 SD

STEP 88

NOTE:
USE PILOT HOLES TO
LOCATE HAND GRIPS



**EXTERIOR VIEW
(HAND GRIP ATTACHMENT)
LARGE FORT**



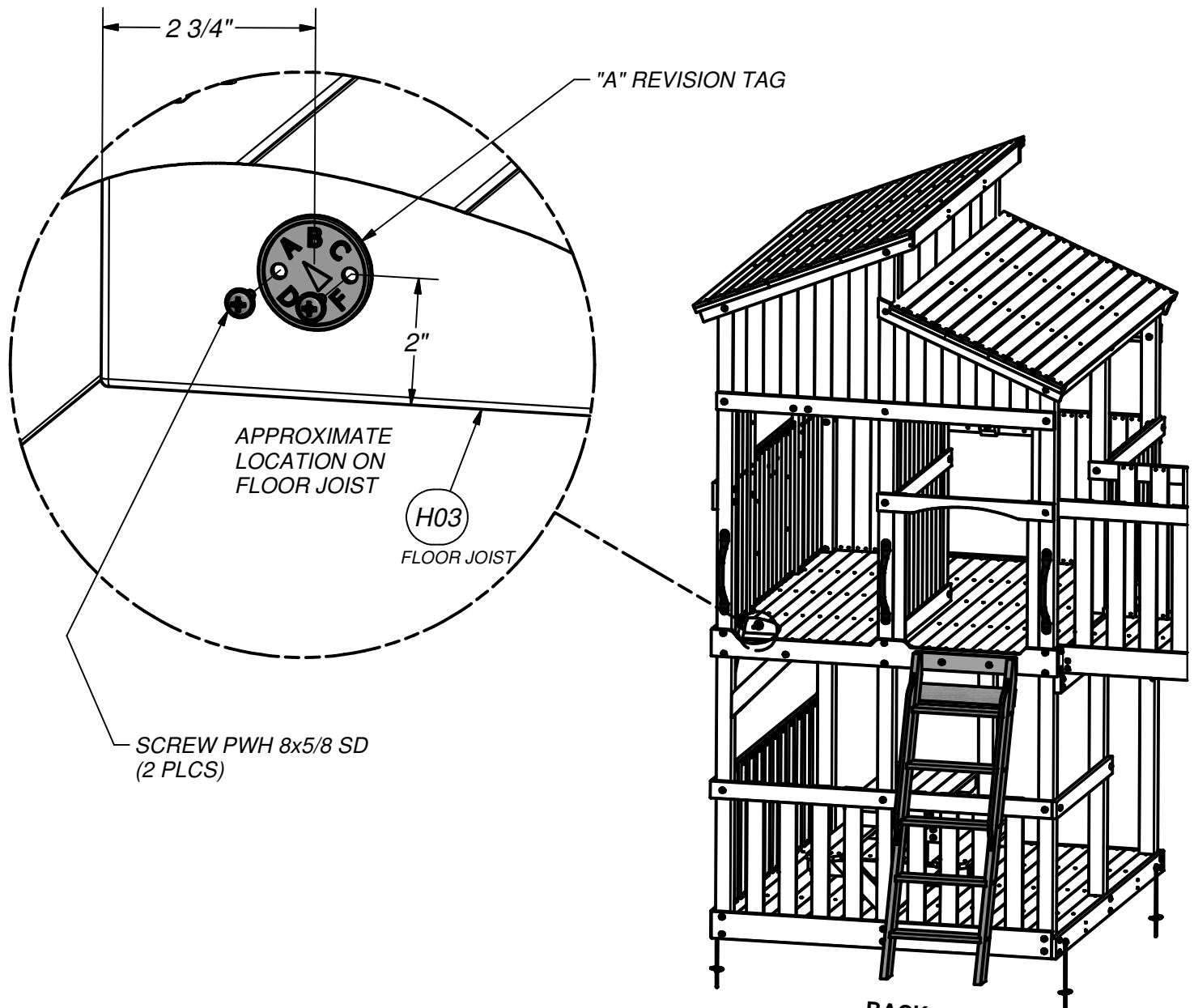
(1) SQ - "A" REVISION TAG - A100314



(2) SCREW PWH
8x5/8 SD

STEP 89

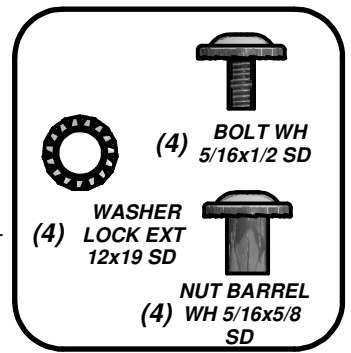
NOTE:
IMPORTANT TO KNOW WHICH REV TAG
IF EVER YOU CALL CUSTOMER SERVICE



EXTERIOR VIEW
(BACK)
LARGE FORT



(2) TA - LADDER RUNG BLUE - A4M00854



(4) WASHER LOCK EXT 12x19 SD



(4) BOLT WH 5/16x1/2 SD

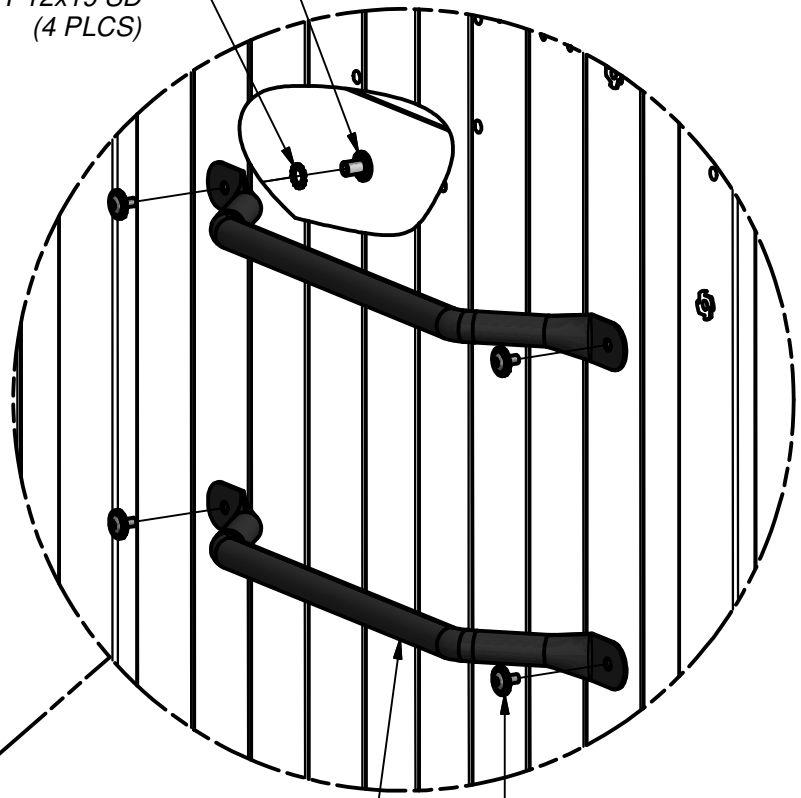


(4) NUT BARREL WH 5/16x5/8 SD

STEP 90

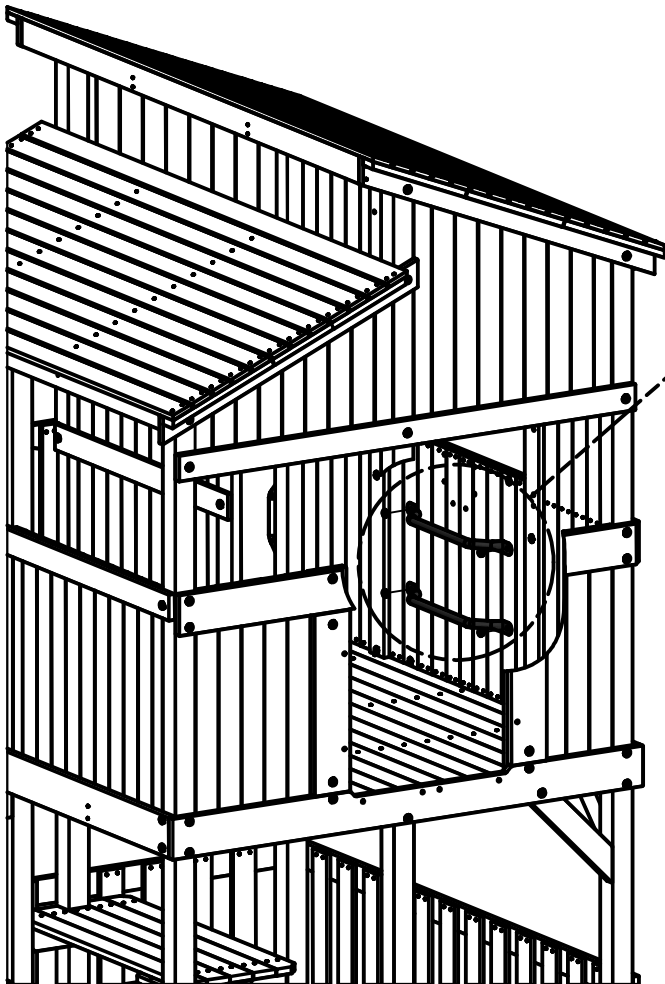
NUT BARREL WH 5/16x5/8 SD
(4 PLCS)

WASHER LOCK EXT 12x19 SD
(4 PLCS)



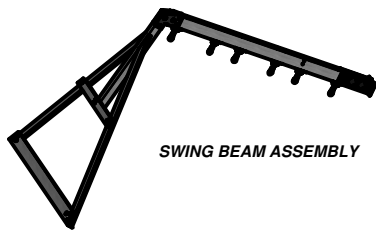
LADDER RUNG BLUE
(2 PLCS)

BOLT WH 5/16x1/2 SD
(4 PLCS)



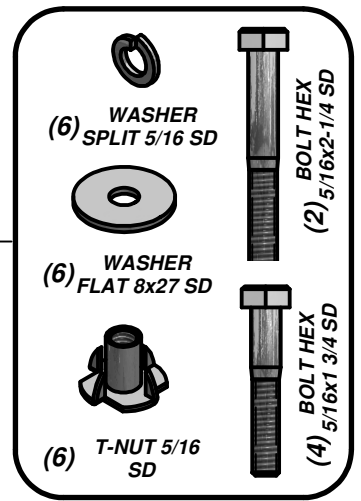
FRONT

**EXTERIOR VIEW
(CROW'S NEST RUNGS)
LARGE FORT**



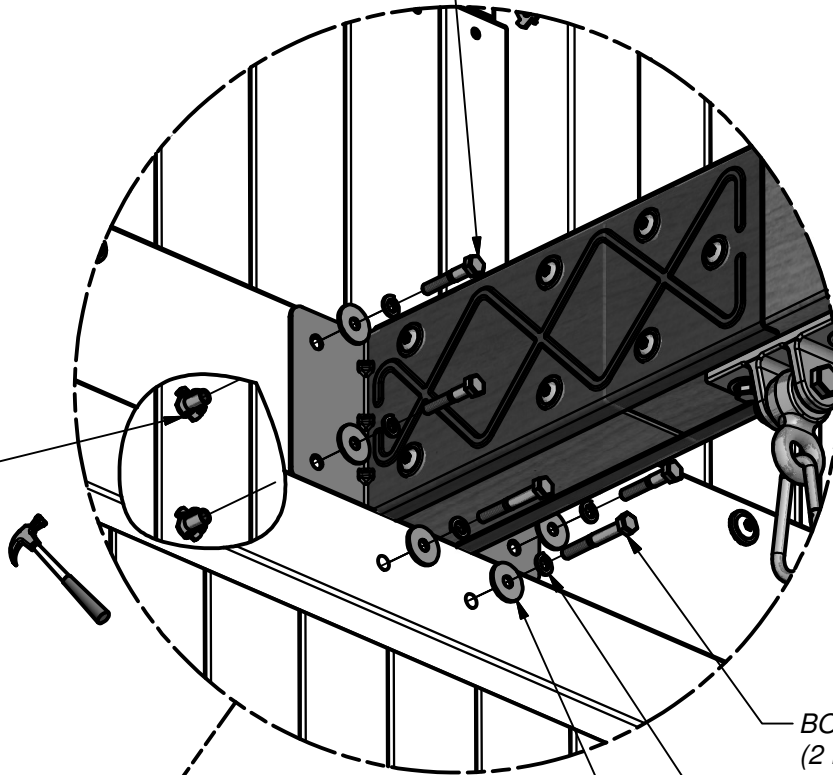
SWING BEAM ASSEMBLY

STEP 91



BOLT HEX 5/16x1 3/4 SD
(4 PLCS)

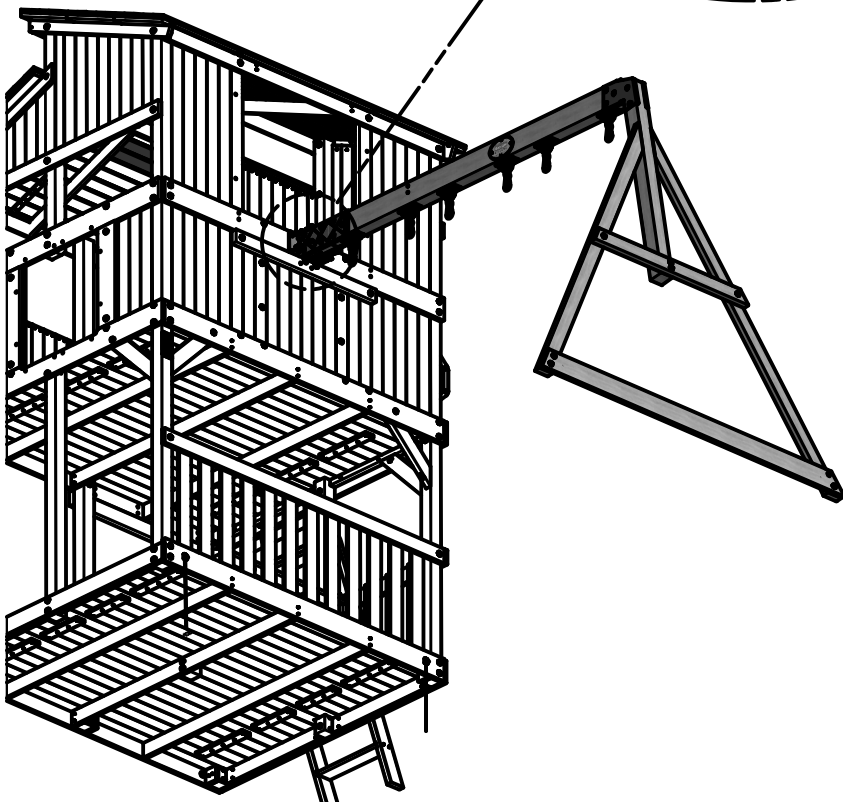
T-NUT 5/16 SD
(6 PLCS)



BOLT HEX 5/16x2-1/4 SD
(2 PLCS)

WASHER SPLIT 5/16 SD
(6 PLCS)

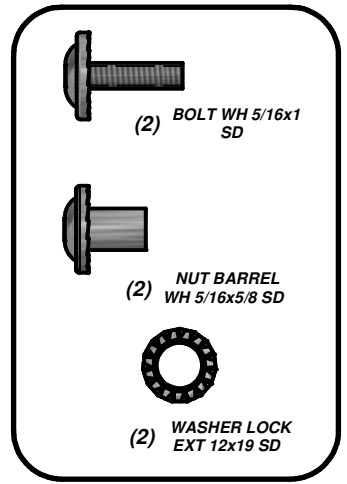
WASHER FLAT 8x27 SD
(6 PLCS)



**EXTERIOR VIEW
(SWING BEAM ATTACHMENT)
LARGE FORT**



(2) KC - METAL GROUND STAKE BROWN - A100178

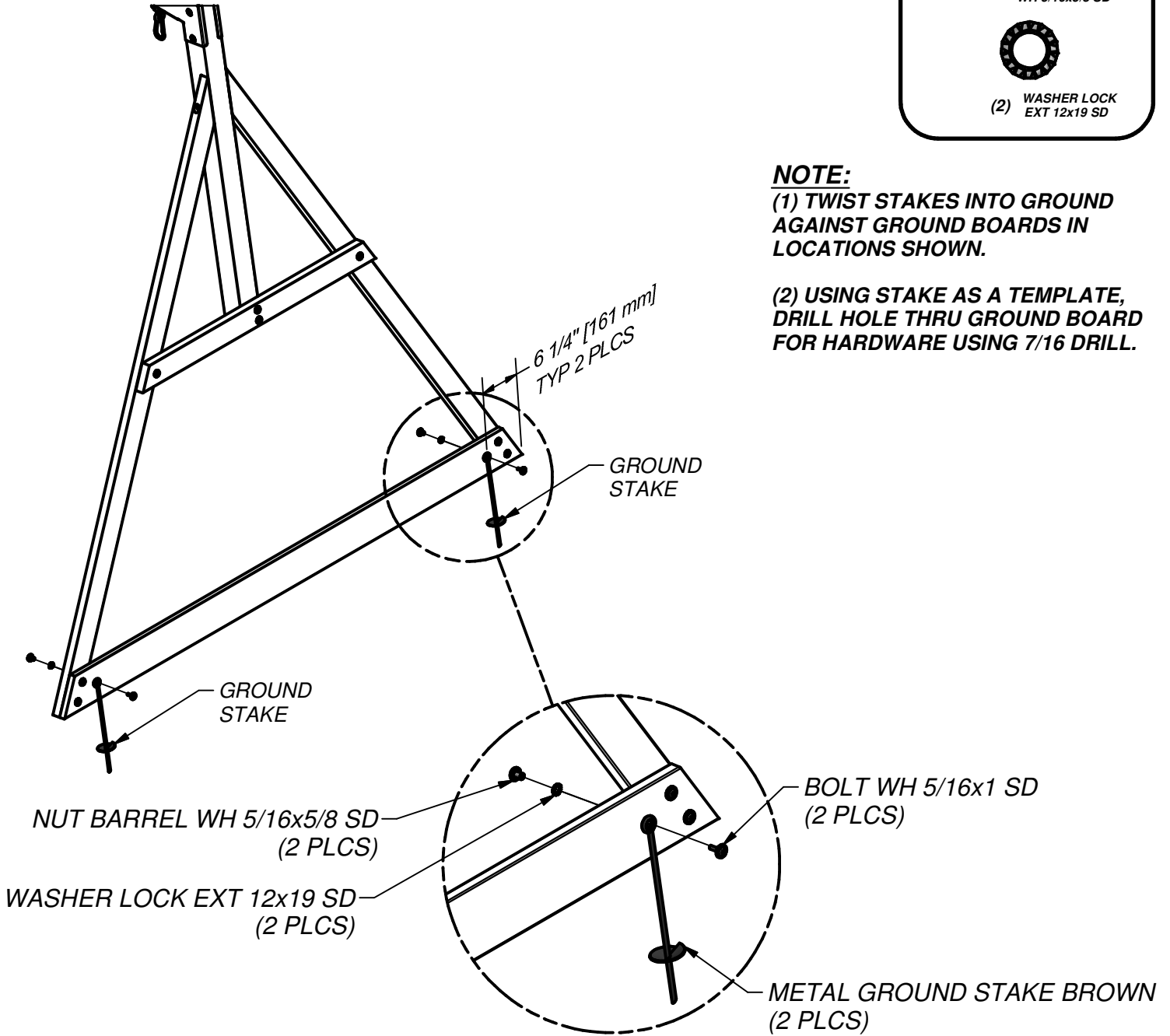


(2) BOLT WH 5/16x1 SD

(2) NUT BARREL WH 5/16x5/8 SD

(2) WASHER LOCK EXT 12x19 SD

STEP 92



NOTE:

(1) TWIST STAKES INTO GROUND AGAINST GROUND BOARDS IN LOCATIONS SHOWN.

(2) USING STAKE AS A TEMPLATE, DRILL HOLE THRU GROUND BOARD FOR HARDWARE USING 7/16 DRILL.

NOTE:

FAILURE TO USE GROUND ANCHORS CAN VOID WARRANTY & CAUSE INJURY!

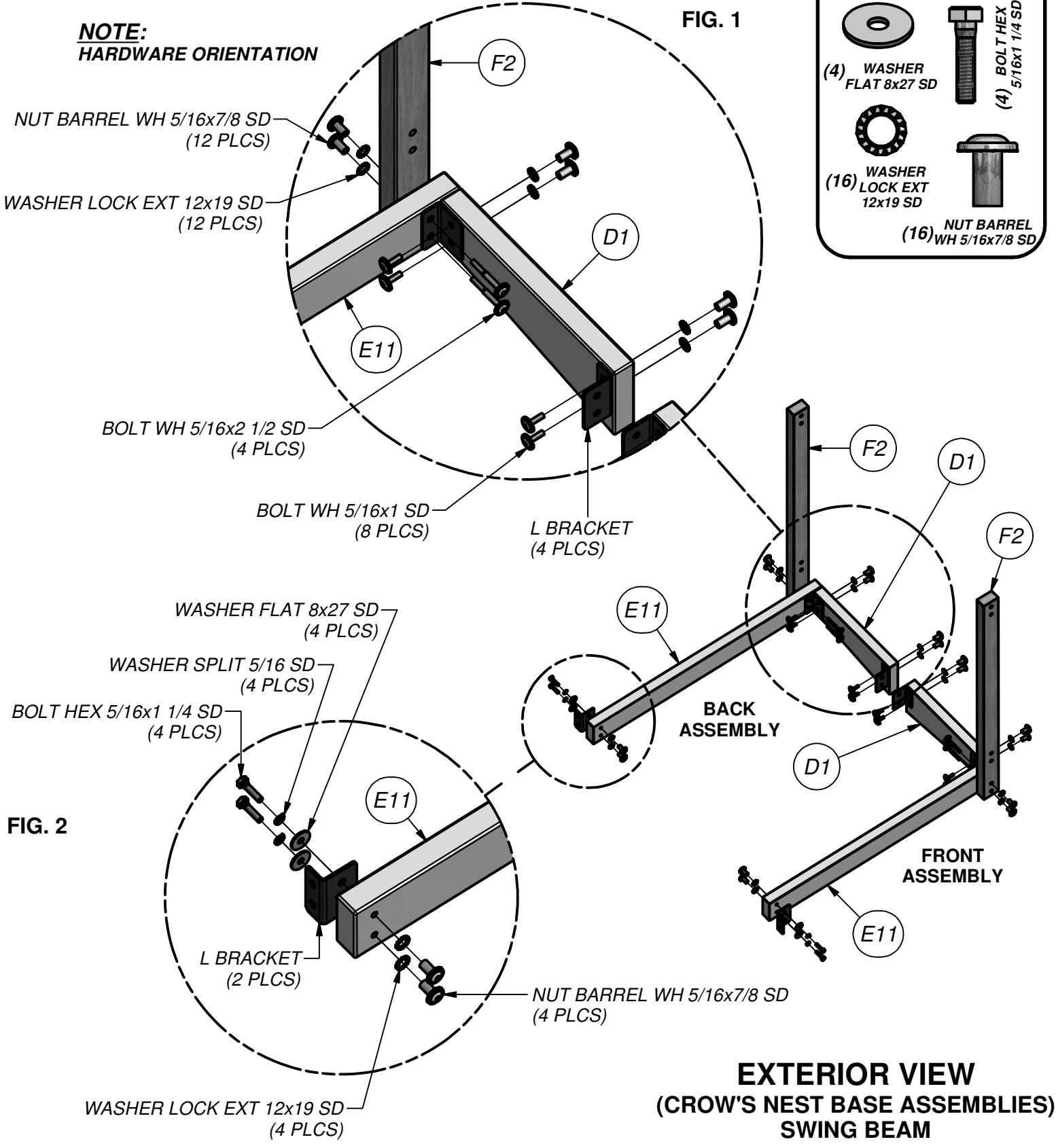
**EXTERIOR VIEW
(GROUND ANCHORS)
SWING BEAM**

- (2) **D1 - FLOOR RAIL - W4L11367**
1 3/8"x5 1/4"x15 1/8" (36x134x384)
- (6) **WM - L BRACKET 51x32x82x3.175 - A4M00852**
L BRACKET 51x32x82x3.175
- (2) **E11 - RAIL - W4L11366**
1 3/8"x3 3/8"x35 5/8" (36x86x906)
- (2) **F2 - UPRIGHT - W4L11374**
1 3/8"x2 3/8"x38 3/8" (36x60x975)

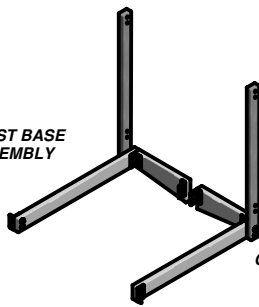
- (8) **BOLT WH 5/16x1 SD**
- (4) **BOLT WH 5/16x2 1/2 SD**
- (4) **WASHER SPLIT 5/16 SD**
- (4) **WASHER FLAT 8x27 SD**
- (16) **WASHER LOCK EXT 12x19 SD**
- (4) **BOLT WH 5/16x2 1/2 SD**
- (4) **BOLT HEX 5/16x1 1/4 SD**
- (16) **NUT BARREL WH 5/16x7/8 SD**

STEP 93

**NOTE:
HARDWARE ORIENTATION**



CROW'S NEST BASE
BACK ASSEMBLY



CROW'S NEST BASE
FRONT ASSEMBLY

STEP 94

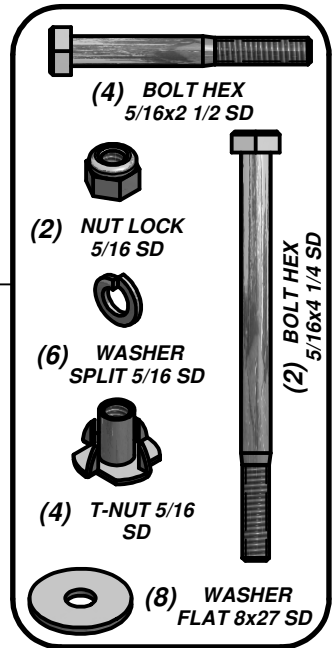


FIG. 1

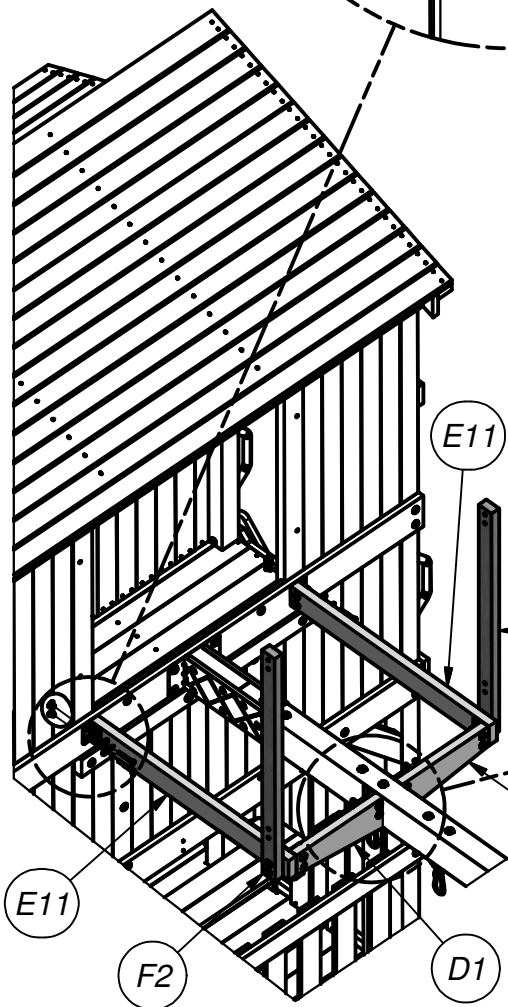
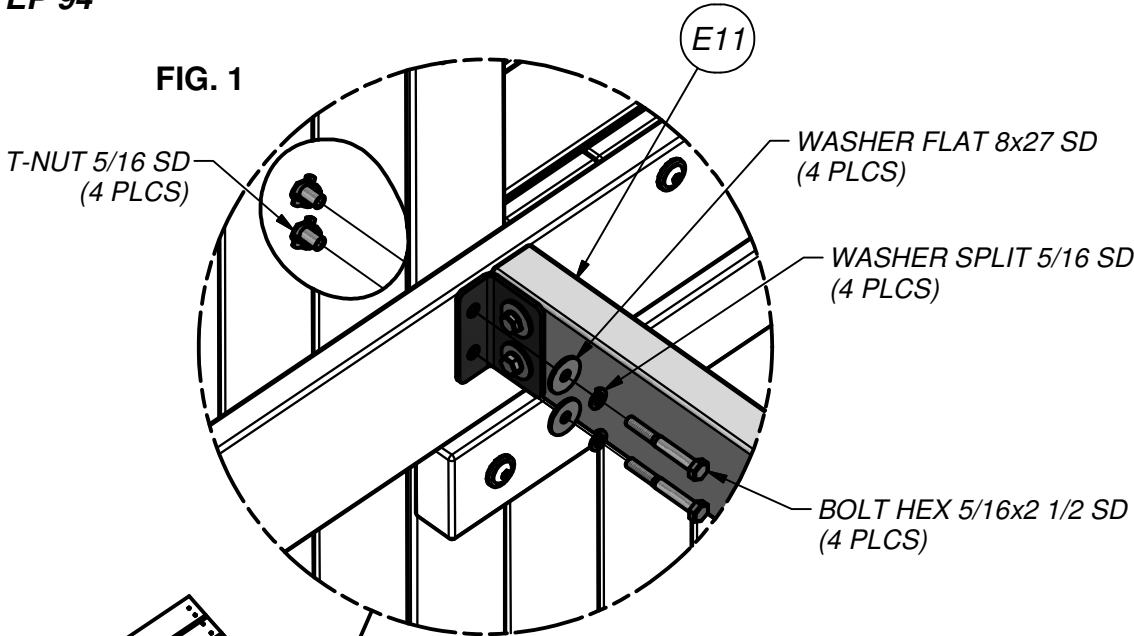
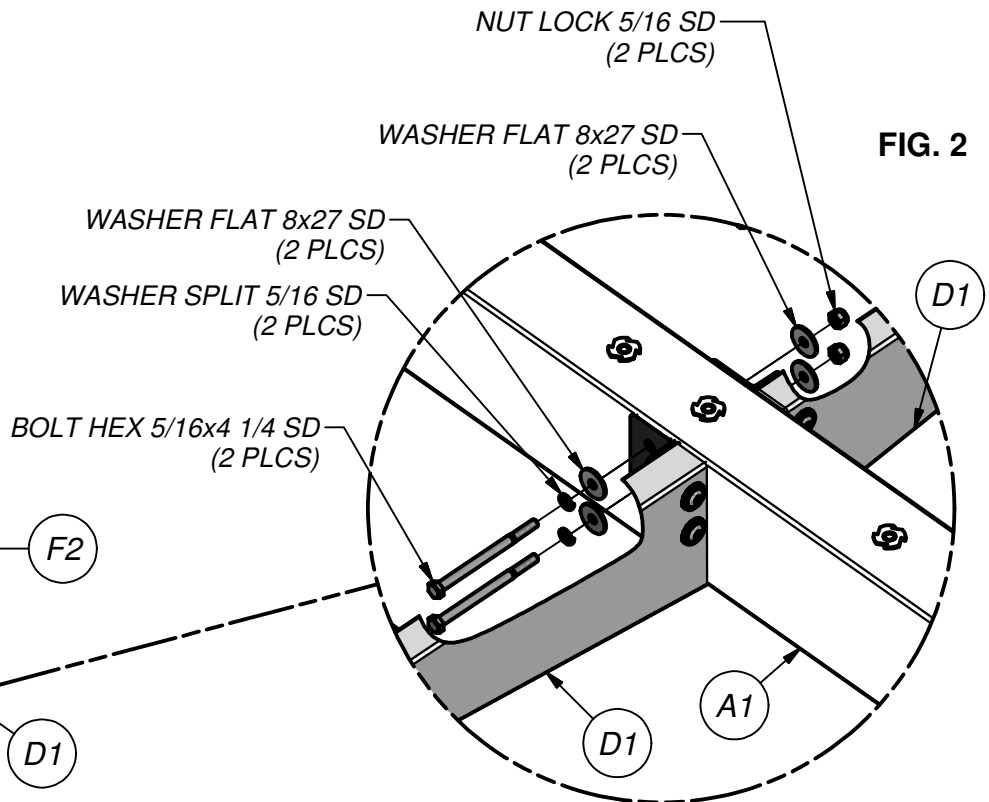


FIG. 2



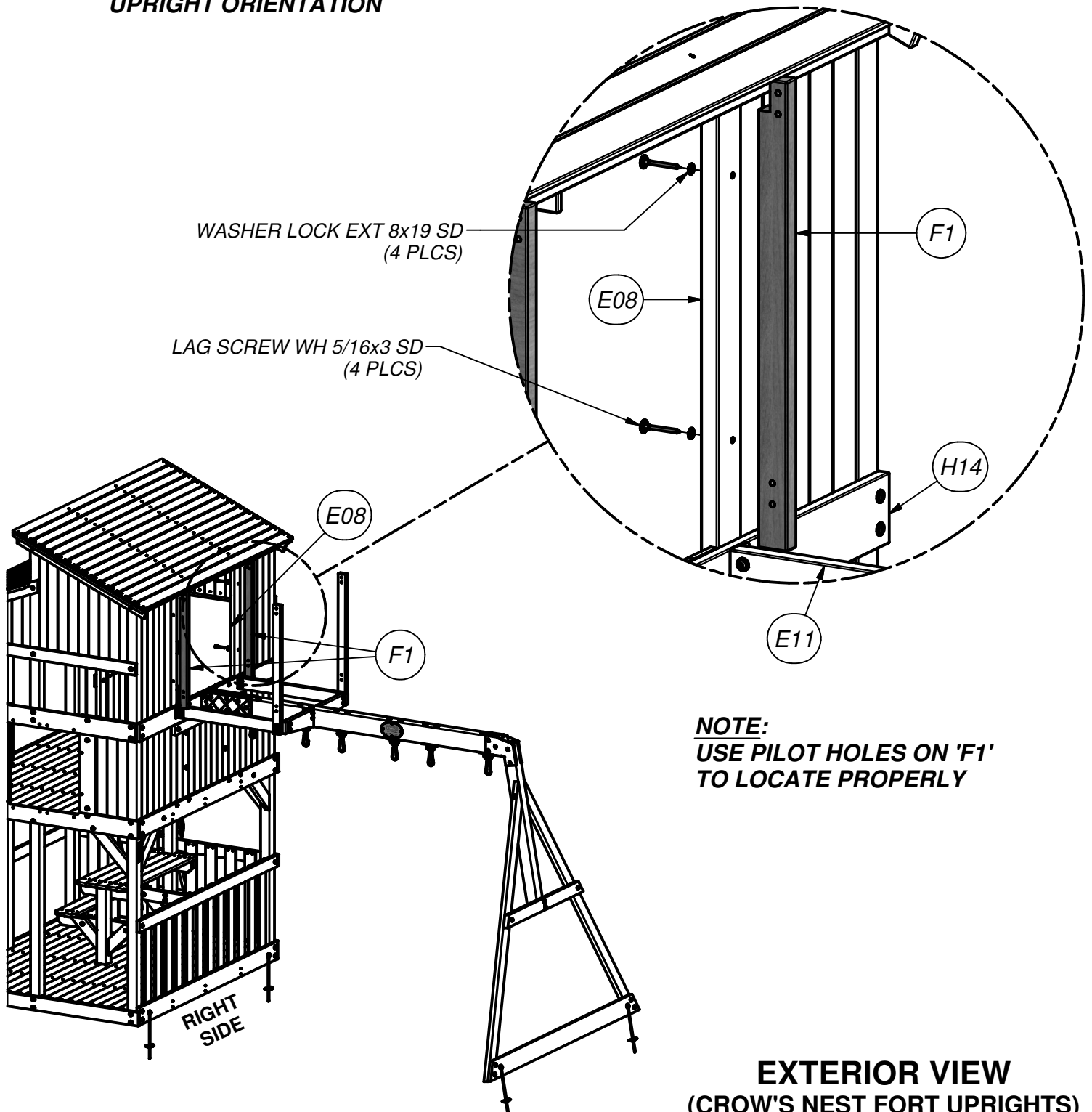
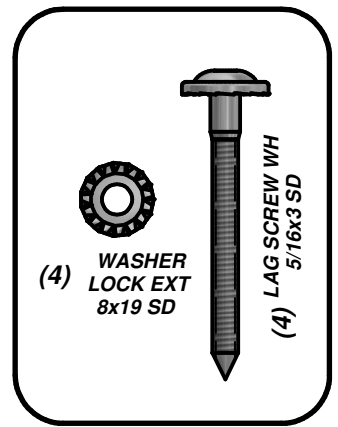
**EXTERIOR VIEW
(CROW'S NEST BASE ATTACHMENT)
SWING BEAM**



(2) **F1 - RAIL - W4L11365**
1 3/8"x2 3/8"x35" (36x60x888)

STEP 95

NOTE:
UPRIGHT ORIENTATION



NOTE:
USE PILOT HOLES ON 'F1'
TO LOCATE PROPERLY

EXTERIOR VIEW
(CROW'S NEST FORT UPRIGHTS)
SWING BEAM



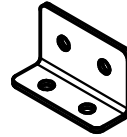
(2) H38 - RAIL - W4L11371
1"x3 3/8"x36 5/8" (24x86x930)



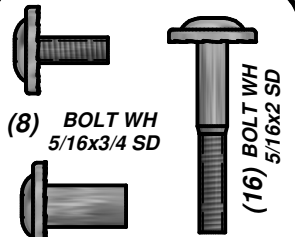
(2) H40 - RAIL - W4L11373
1"x3 3/8"x36 5/8" (24x86x929)



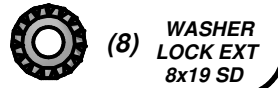
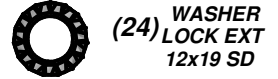
(2) H39 - RAIL - W4L11372
1"x3 3/8"x39 1/4" (24x86x996)



(4) WM - L BRACKET 51x32x82x3.175 - A4M00852
L BRACKET 51x32x82x3.175

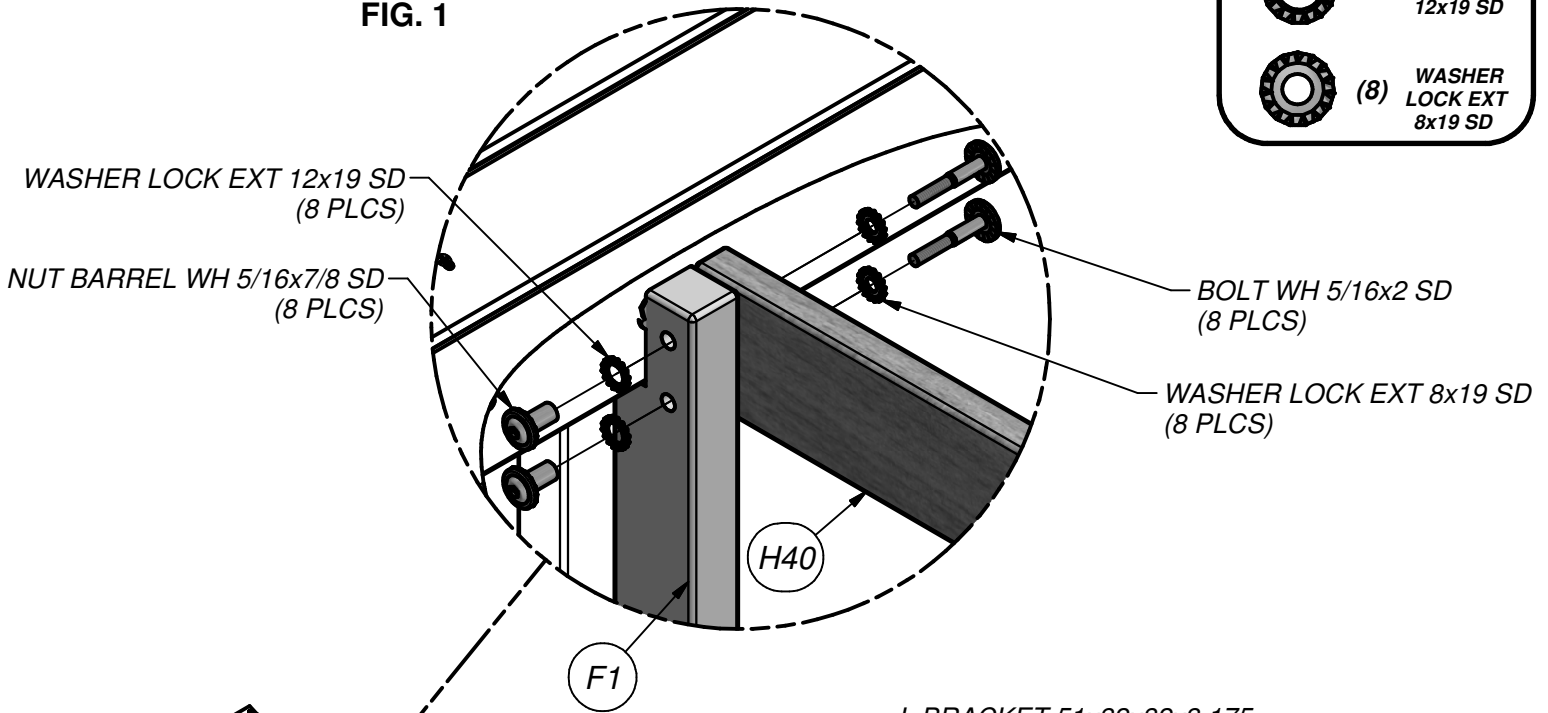


(24) NUT BARREL WH 5/16x7/8 SD



STEP 96

FIG. 1

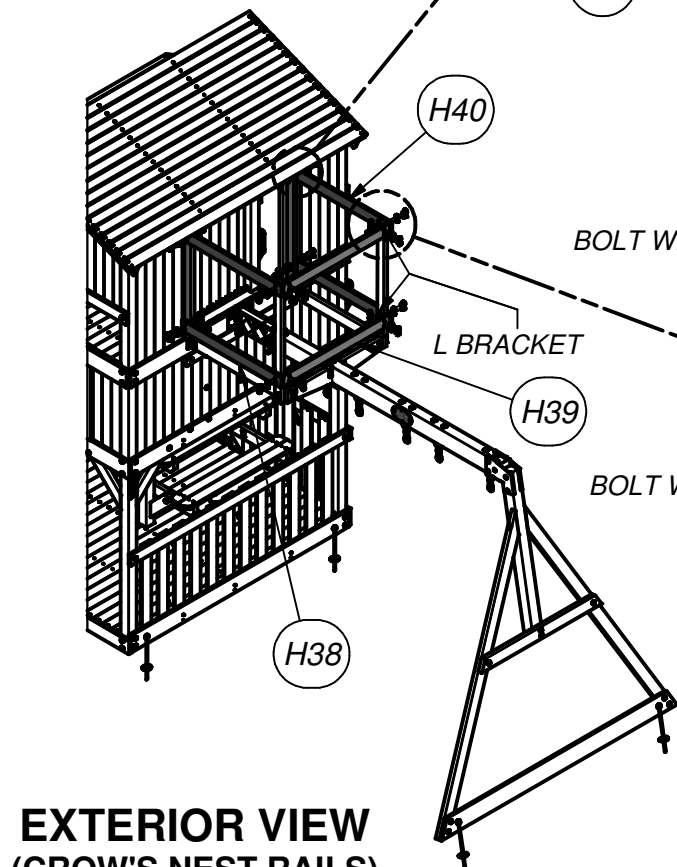


WASHER LOCK EXT 12x19 SD
(8 PLCS)

NUT BARREL WH 5/16x7/8 SD
(8 PLCS)

BOLT WH 5/16x2 SD
(8 PLCS)

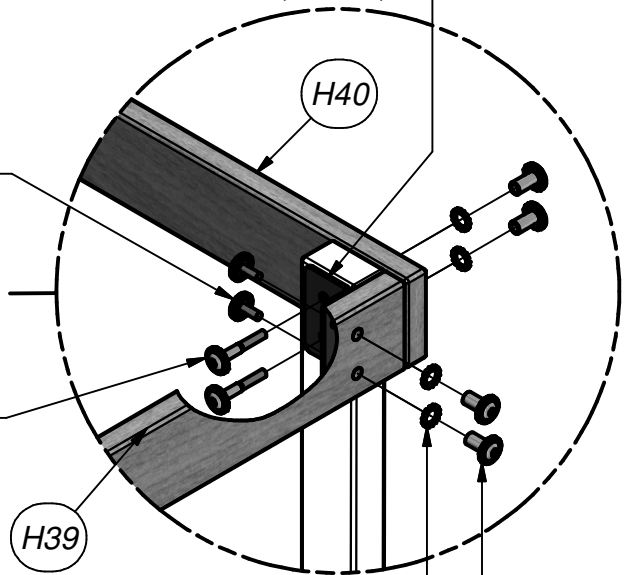
WASHER LOCK EXT 8x19 SD
(8 PLCS)



EXTERIOR VIEW (CROW'S NEST RAILS) SWING BEAM

L BRACKET 51x32x82x3.175
(4 PLCS)

FIG. 2

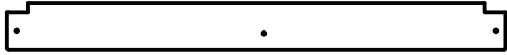


BOLT WH 5/16x3/4 SD
(8 PLCS)

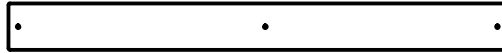
BOLT WH 5/16x2 SD
(8 PLCS)

WASHER LOCK EXT 12x19 SD
(16 PLCS)

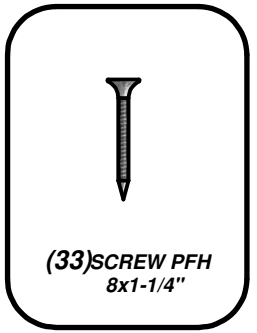
NUT BARREL WH 5/16x7/8 SD
(16 PLCS)



(1) M24 - FLOOR BOARD - W4L11369
5/8"x3 3/8"x36 3/8" (16x86x924)

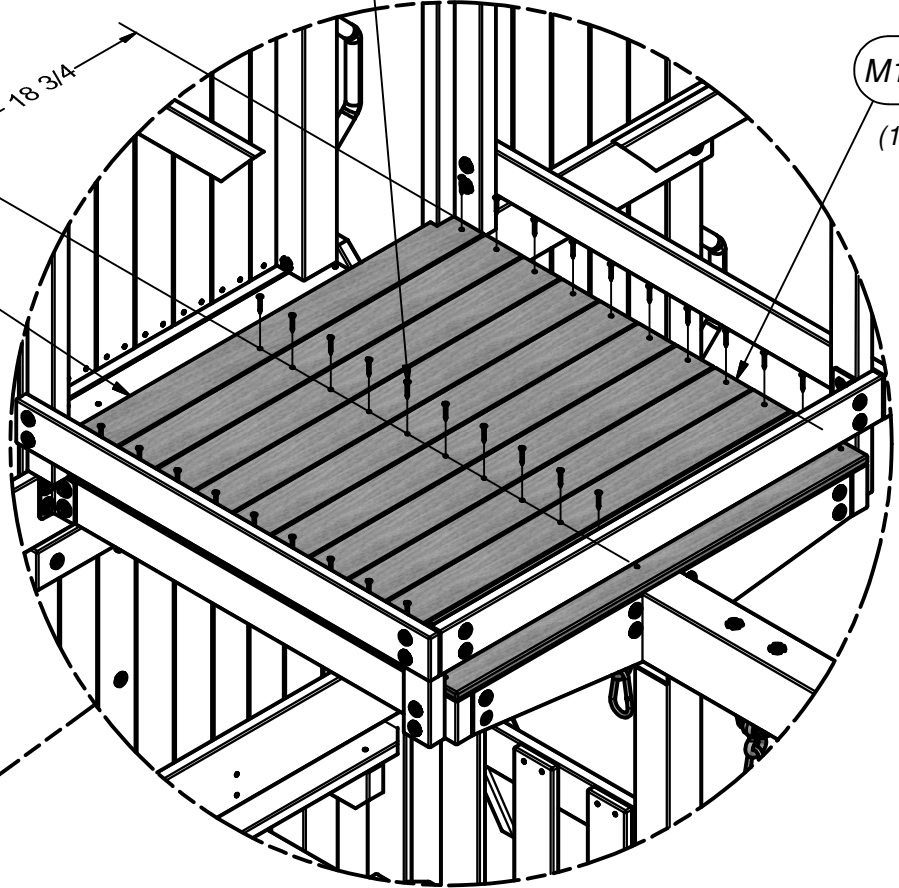


(10) M18 - FLOOR BOARD - W4L11370
5/8"x3 3/8"x36 3/8" (16x86x924)



STEP 97

SCREW PFH 8x1 1/4 SD
(33 PLCS)



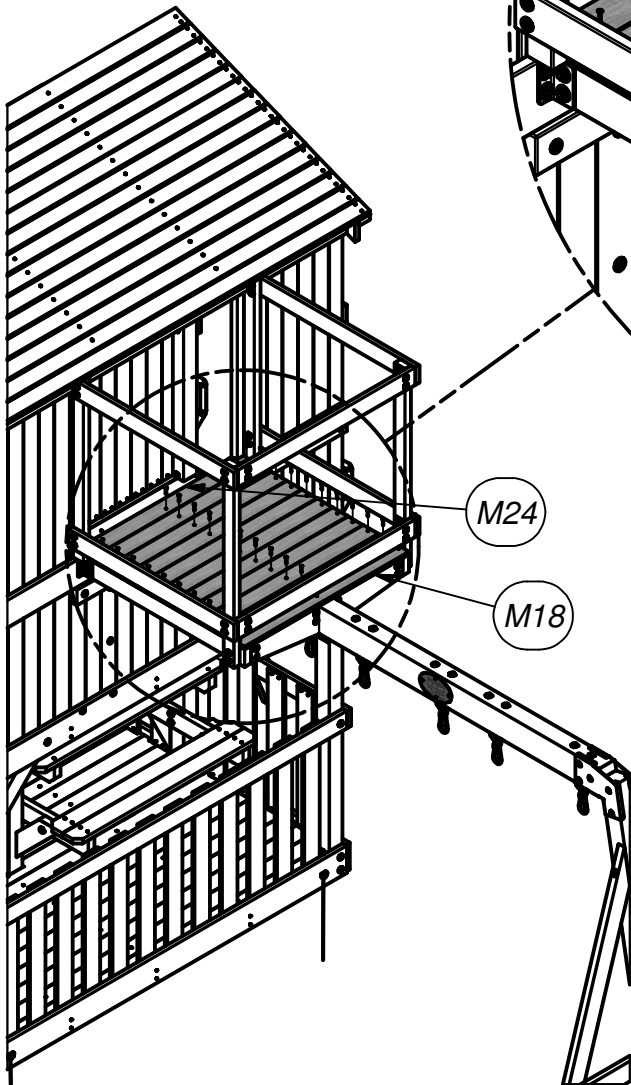
M18
(10 PLCS)

M24

M24

M18

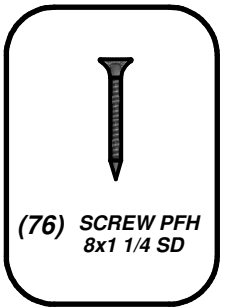
NOTE:
FLOOR BOARDS
EVENLY SPACED



**EXTERIOR VIEW
(CROW'S NEST PICKETS)
CROW'S NEST**

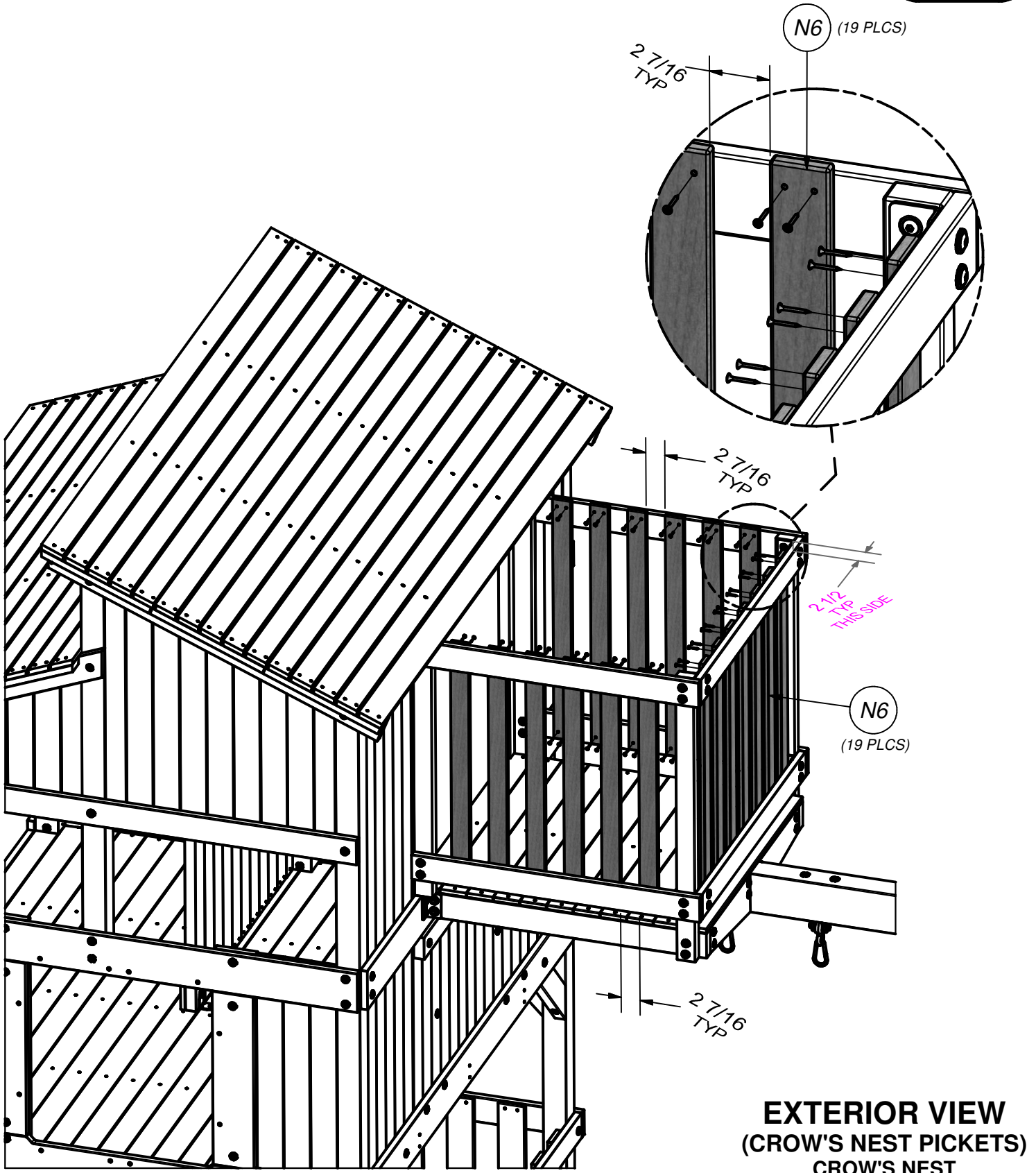


(19) N6 - PICKET - W4L11361
5/8"x2 3/8"x32 3/8" (16x60x823)

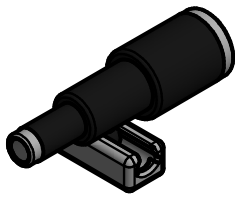


(76) SCREW PFH
8x1 1/4 SD

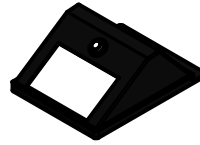
STEP 98



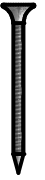
EXTERIOR VIEW
(CROW'S NEST PICKETS)
CROW'S NEST



(1) - TELESCOPE BLUE/LIME - A6P00126



(1) - SOLAR LIGHT - A6P00272
1 7/8"x3 3/4"x4 7/8" (48x96x124)



(2) SCREW PFH
8x1-3/4"



(1) SCREW PFH
6x5/8 BLK

STEP 99

NOTE:
APPROXIMATE
LOCATIONS SHOWN

SCREW PFH 8x1 3/4 SD
(2 PLCS)

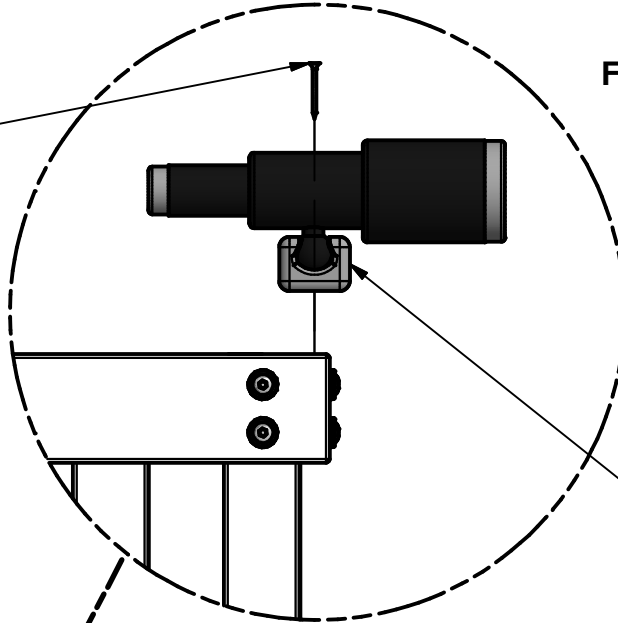


FIG. 1

TELESCOPE BLUE/LIME
(1 PLC)

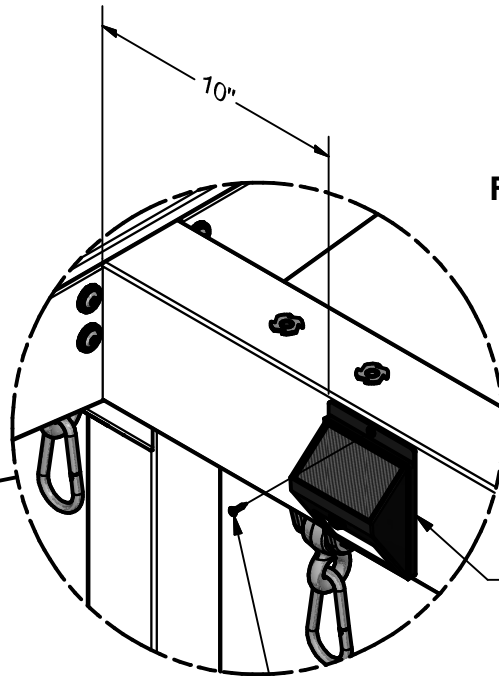
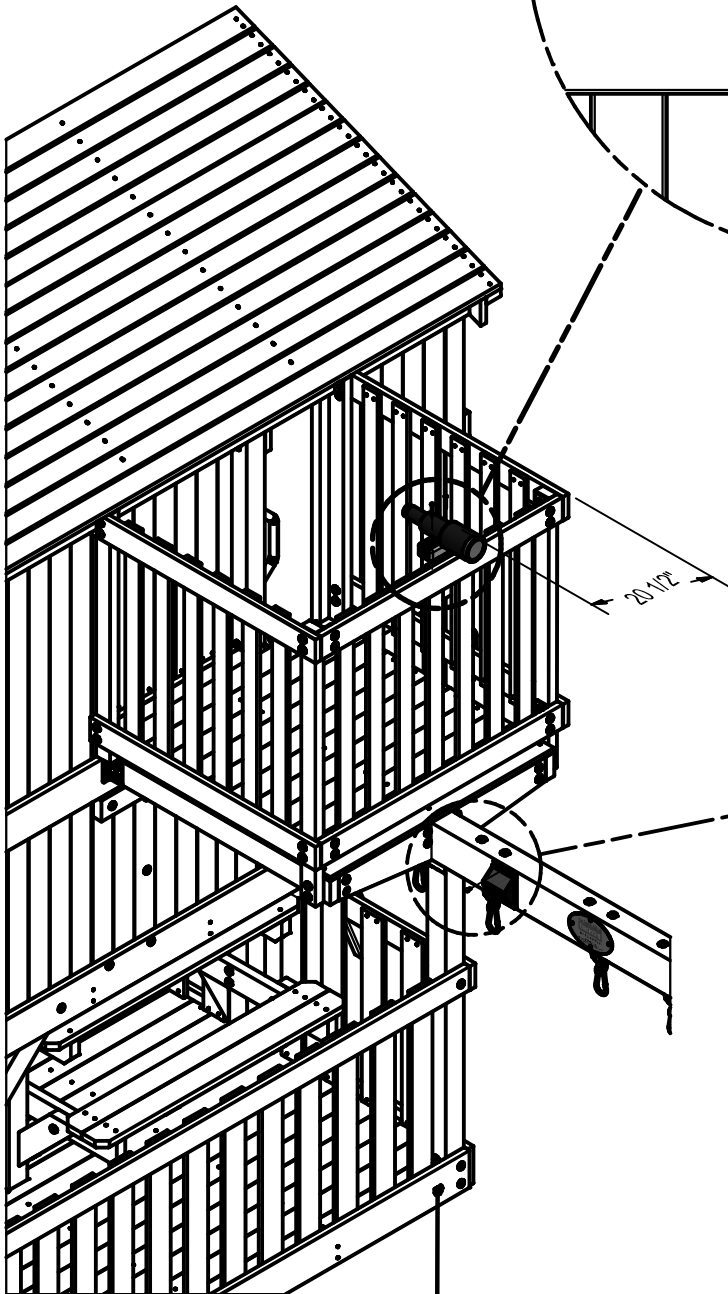


FIG. 2

SOLAR LIGHT
(1 PLC)

SCREW PFH 6x5/8 BLK
(1 PLC)

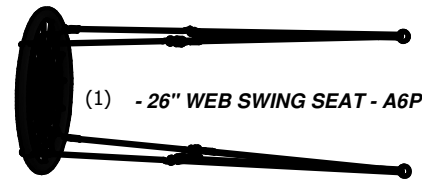
**EXTERIOR VIEW
(TELESCOPE & LIGHT)
CROW'S NEST & SWING BEAM**



(2) HD - SWING SEAT BLUE 22" - A6P00133



(4) - QUICK LINK SD - A4M00927

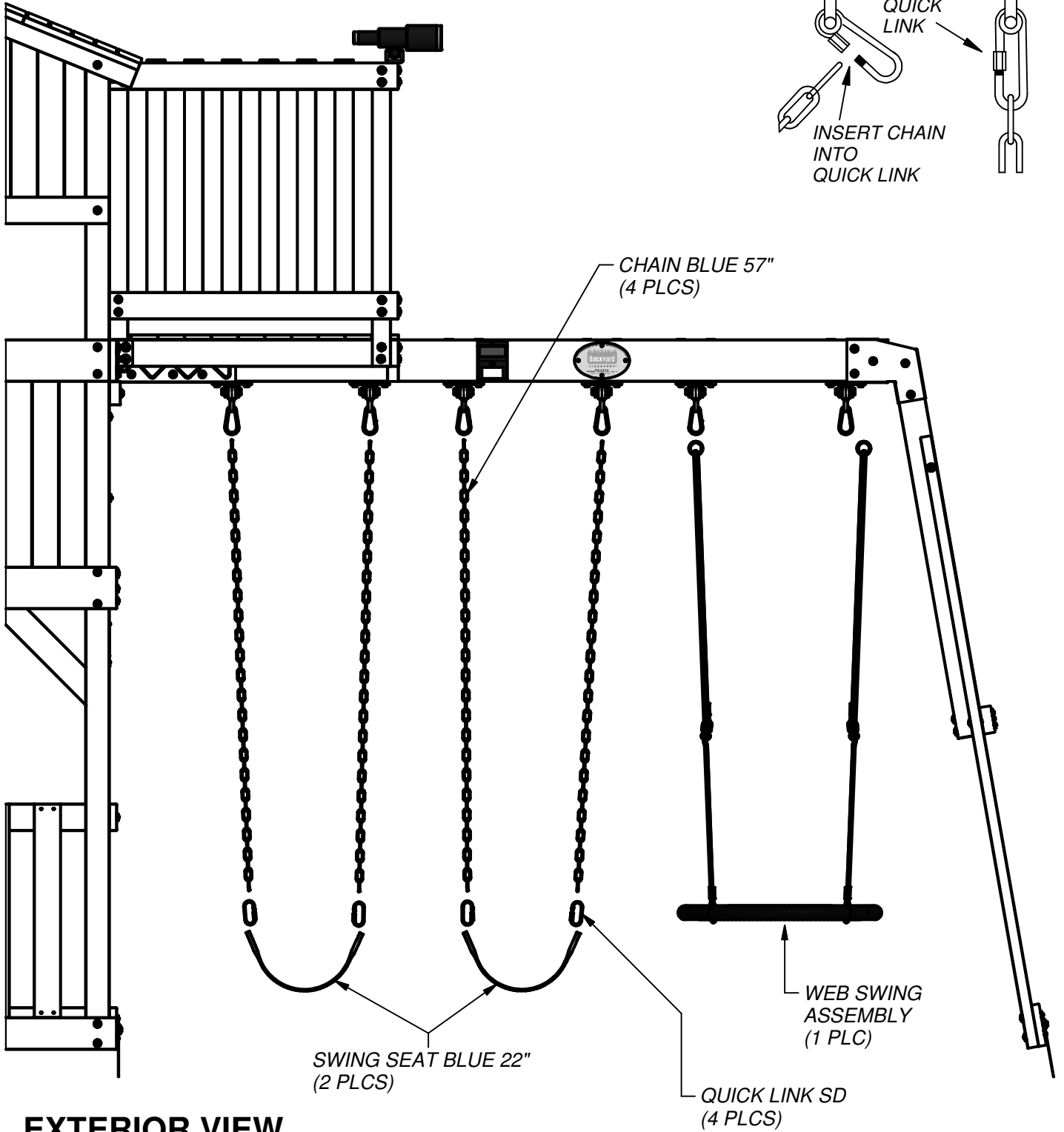
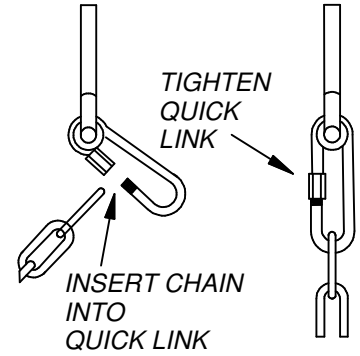


(1) - 26" WEB SWING SEAT - A6P00253



(4) EF - CHAIN BLUE 57" - A4M00823

STEP 100



EXTERIOR VIEW (SWING BEAM ACCESSORIES) SWING BEAM

WEB SWING SETUP INSTRUCTIONS:

FOLLOW INSTRUCTIONS BELOW BEFORE USING THE WEB SWING.

STEP 101

⚠ IMPORTANT:

SWING MUST BE SET AT A MINIMUM OF 8 INCHES OFF THE GROUND WHEN INSTALLED.

⚠ IMPORTANT:

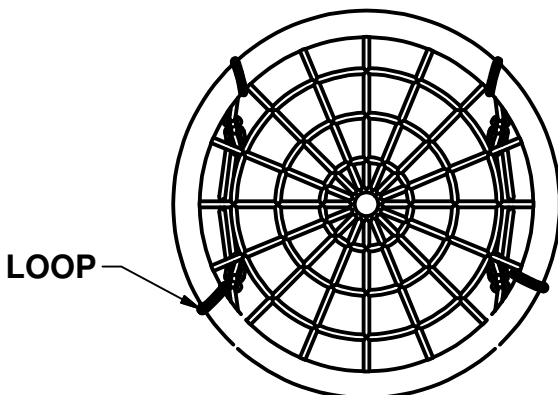
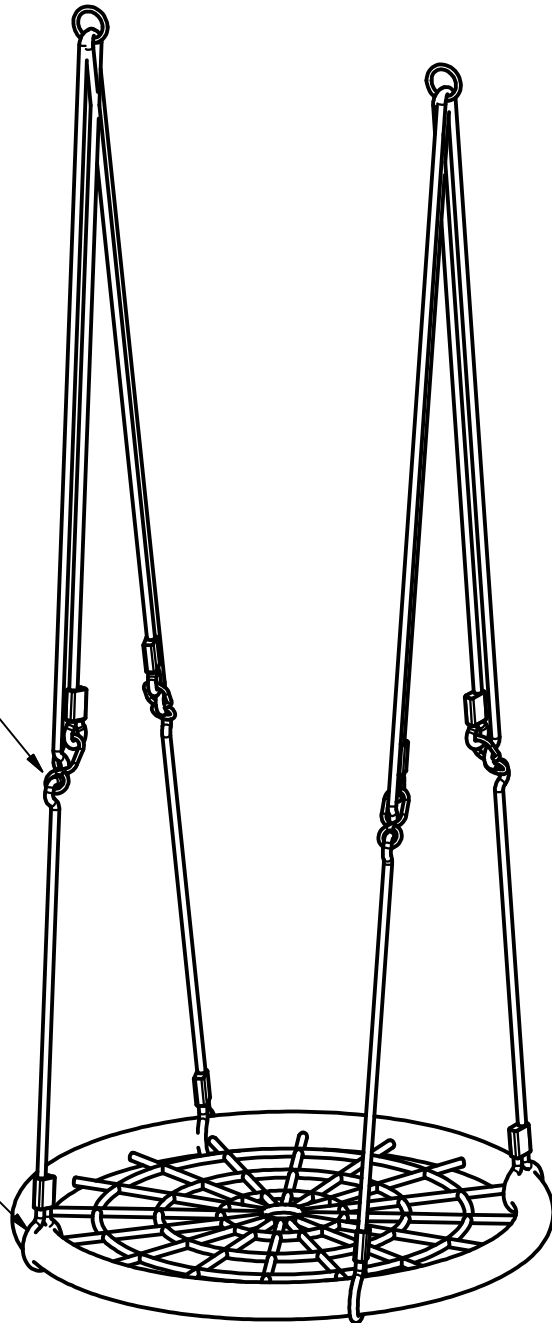
TO ENSURE STRAIGHT SWINGING MOTION, ADJUST ALL (4) "S" BRACKETS UNTIL WEB SEAT IS LEVEL.



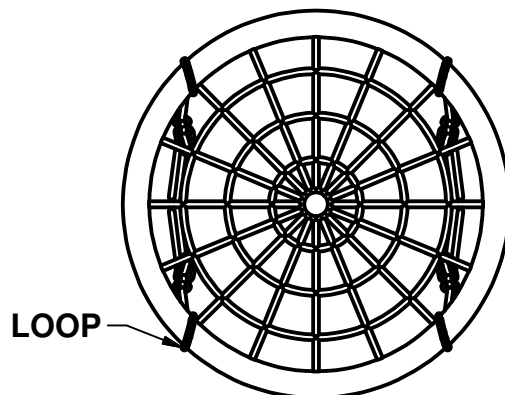
Note: It is important that the web swing hang level.

⚠ IMPORTANT:

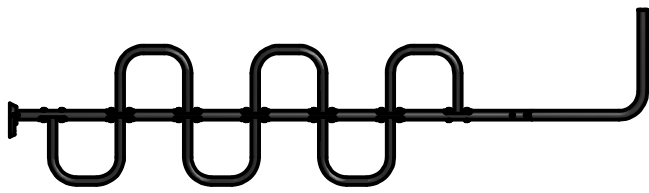
MAKE SURE THE (4) LOOPS ARE IN A SYMMETRICAL PATTERN BEFORE SWINGING. (SEE BELOW).



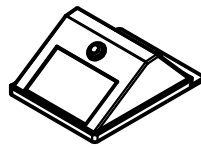
**INCORRECT LOOP LOCATIONS
(NON-SYMMETRICAL PATTERN)**



**CORRECT LOOP LOCATIONS
(SYMMETRICAL PATTERN)**



(1) CLIMBING TREE ASSEMBLY

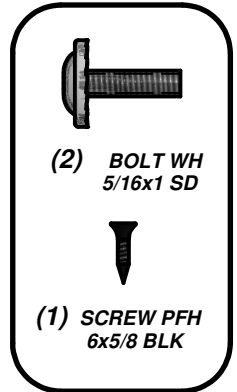


(1) - SOLAR LIGHT - A6P00272
1 7/8"x3 3/4"x4 7/8" (48x96x124)



(1) - GROUND STAKE - A4M00766

STEP 102



(2) BOLT WH
5/16x1 SD

(1) SCREW PFH
6x5/8 BLK

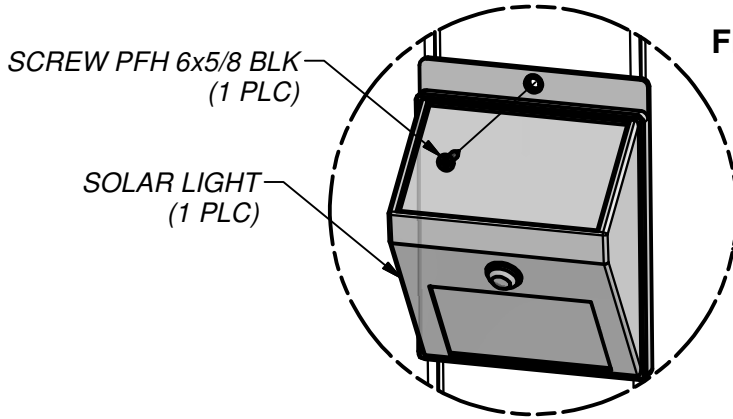


FIG. 1

SCREW PFH 6x5/8 BLK
(1 PLC)

SOLAR LIGHT
(1 PLC)

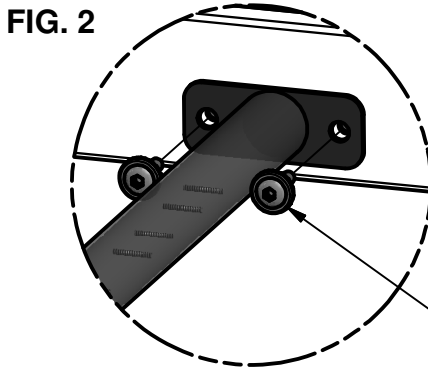


FIG. 2

BOLT WH 5/16x1 SD
(2 PLCS)

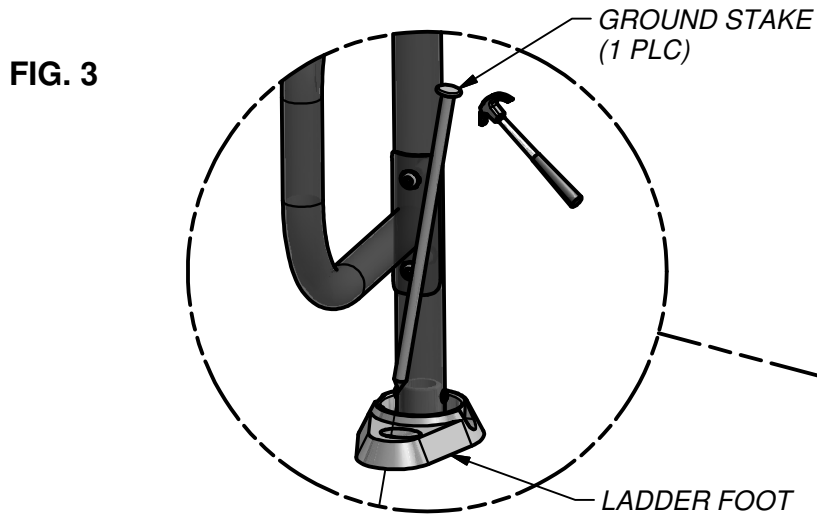
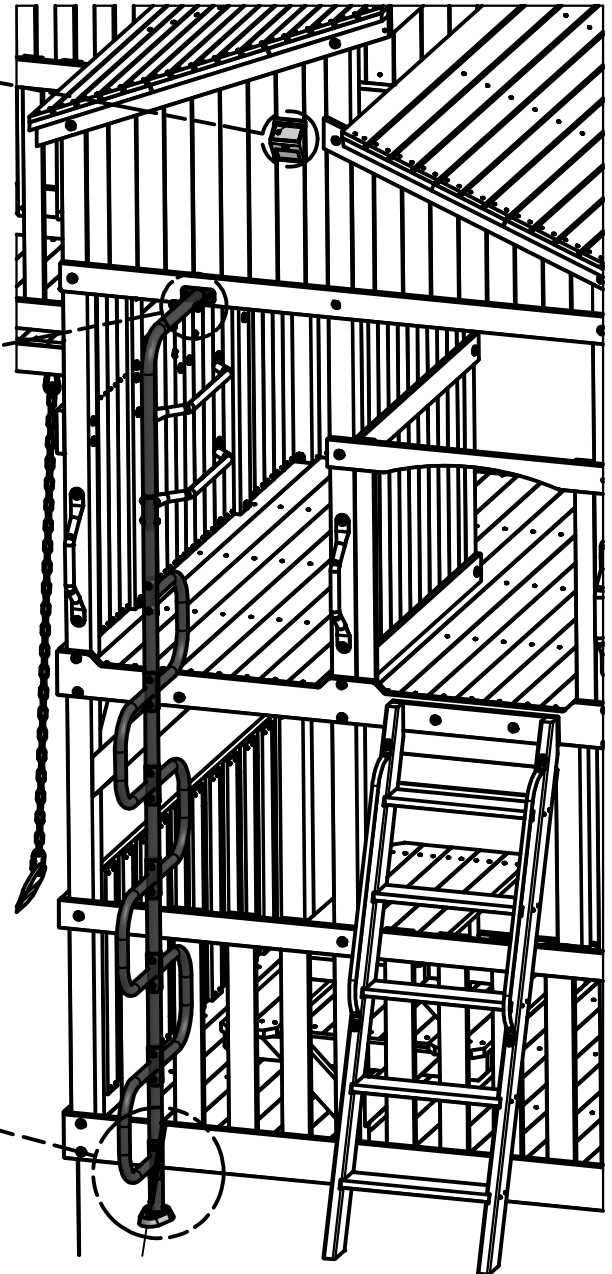


FIG. 3

GROUND STAKE
(1 PLC)

LADDER FOOT
(1 PLC)



**** GO TO:**

- **STEP 103 FOR SKYLINE RETREAT**
- **STEP 105 FOR ROYAL RETREAT**

**EXTERIOR VIEW
(CLIMBING TREE)
LARGE FORT**

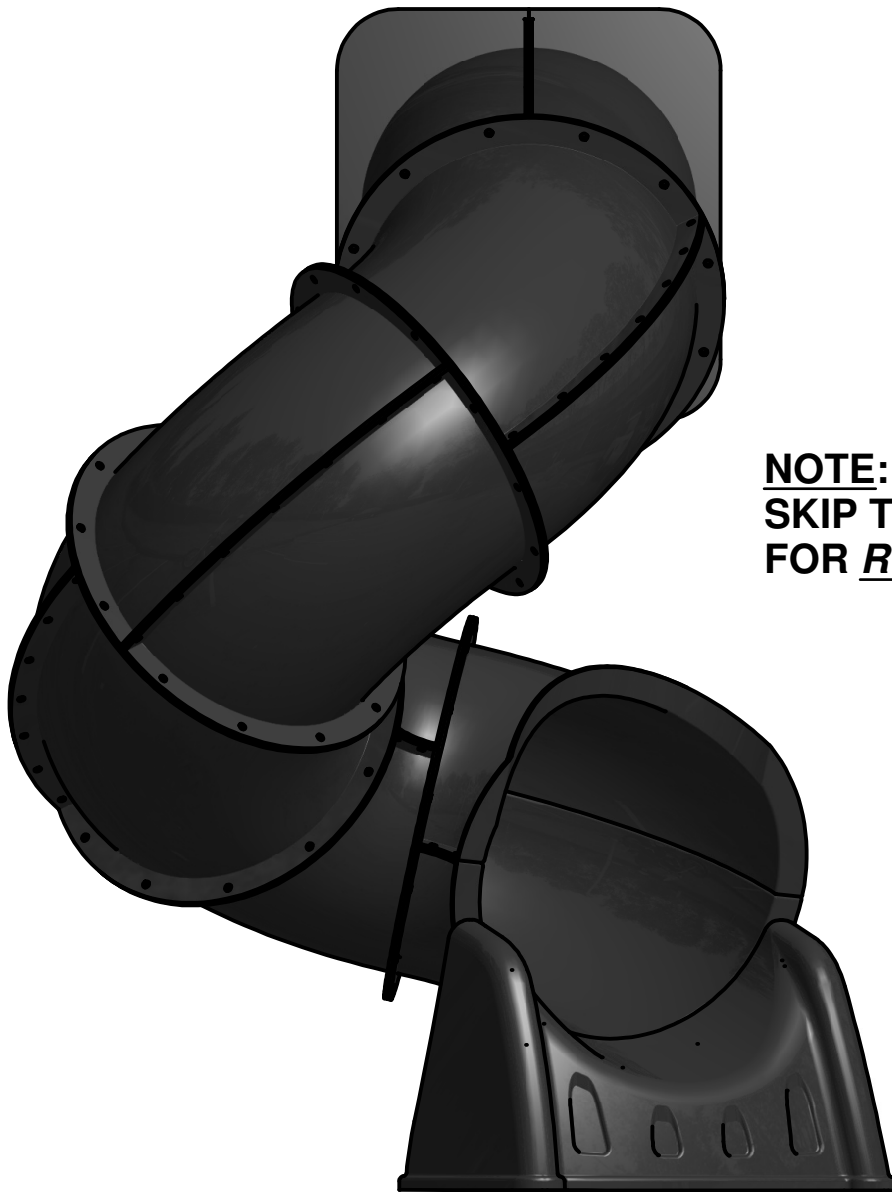
SKYLINE RETREAT

***** REFER TO TUBE SLIDE INSTRUCTIONS *****

STEP 103

ASSEMBLE TUBE SLIDE

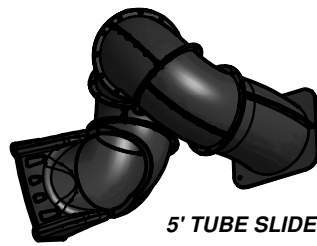
**SKYLINE RETREAT
ONLY!**



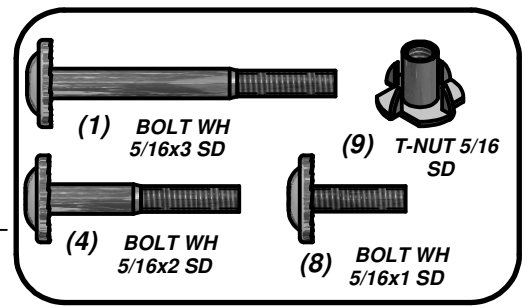
NOTE:
SKIP TO STEP 105
FOR ROYAL RETREAT

EXTERIOR VIEW
(TUBE SLIDE ASSEMBLY)
LARGE FORT

SKYLINE RETREAT ONLY!

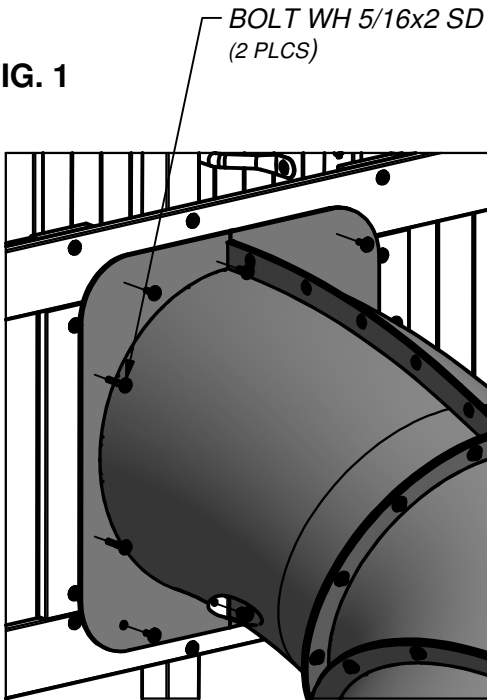


5' TUBE SLIDE ASSEMBLY



STEP 104

FIG. 1

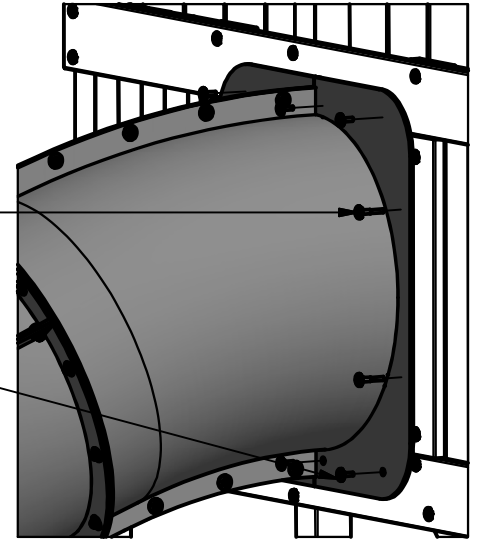


LEFT SIDE SHOWN

FIG. 2

BOLT WH 5/16x2 SD
(2 PLCS)

BOLT WH 5/16x1 SD
(4 PLCS ACROSS BOTTOM)



RIGHT SIDE SHOWN

FIG. 3

T-NUT 5/16 SD
(8 PLCS)

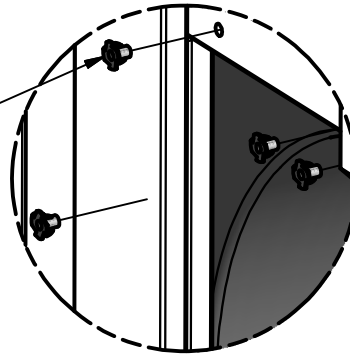
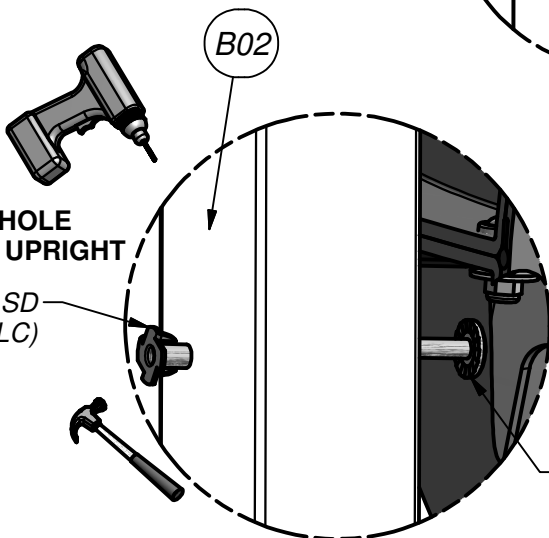


FIG. 4

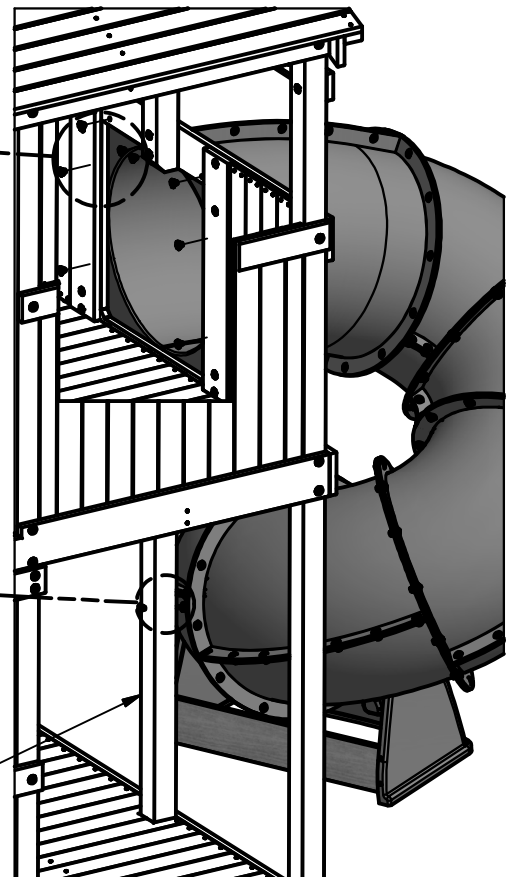
NOTE:
DRILL 3/8" HOLE
THRU 'B02' UPRIGHT

T-NUT 5/16 SD
(1 PLC)

BOLT WH 5/16x3 SD
(1 PLC)

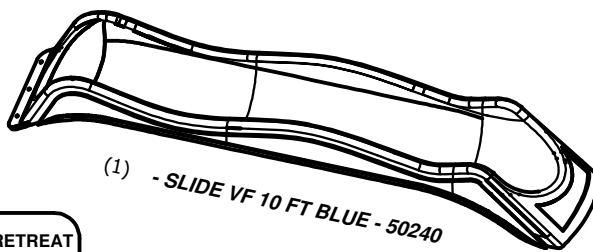


B02



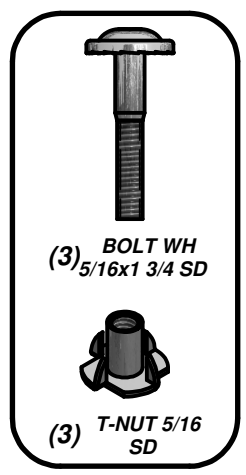
EXTERIOR VIEW
(TUBE SLIDE ATTACHMENT)
LARGE FORT

ROYAL RETREAT ONLY!



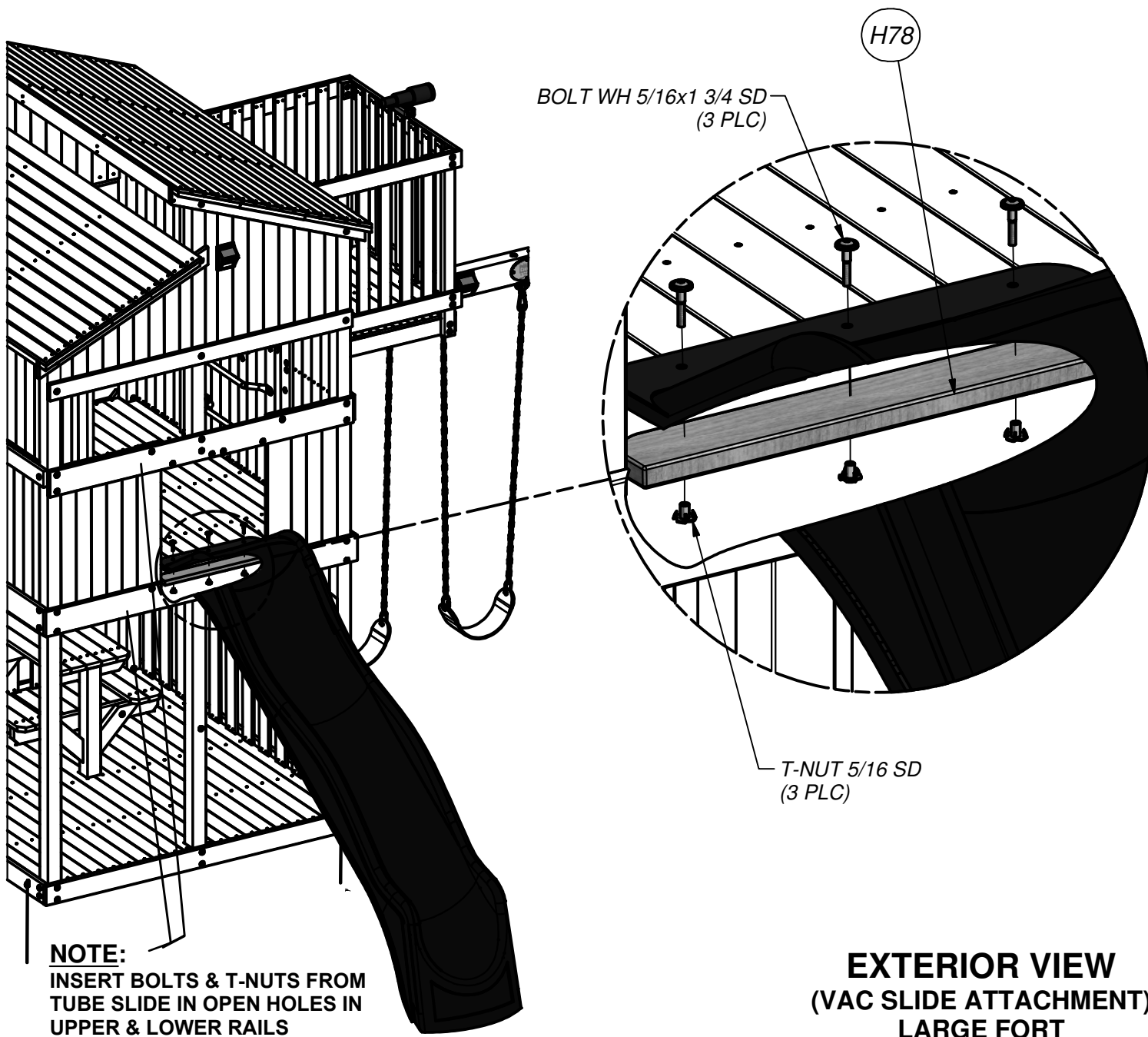
ONLY USED ON ROYAL RETREAT

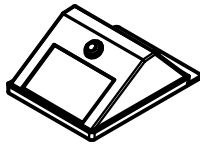
(1) H78 - VS SUPPORT - W4L08786
1"x3 3/8"x22" (24x86x558)



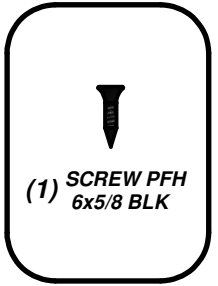
STEP 105

NOTE:
USING VAC SLIDE AS GUIDE, DRILL
(3) 3/8" HOLES THRU 'H78' & FLOOR



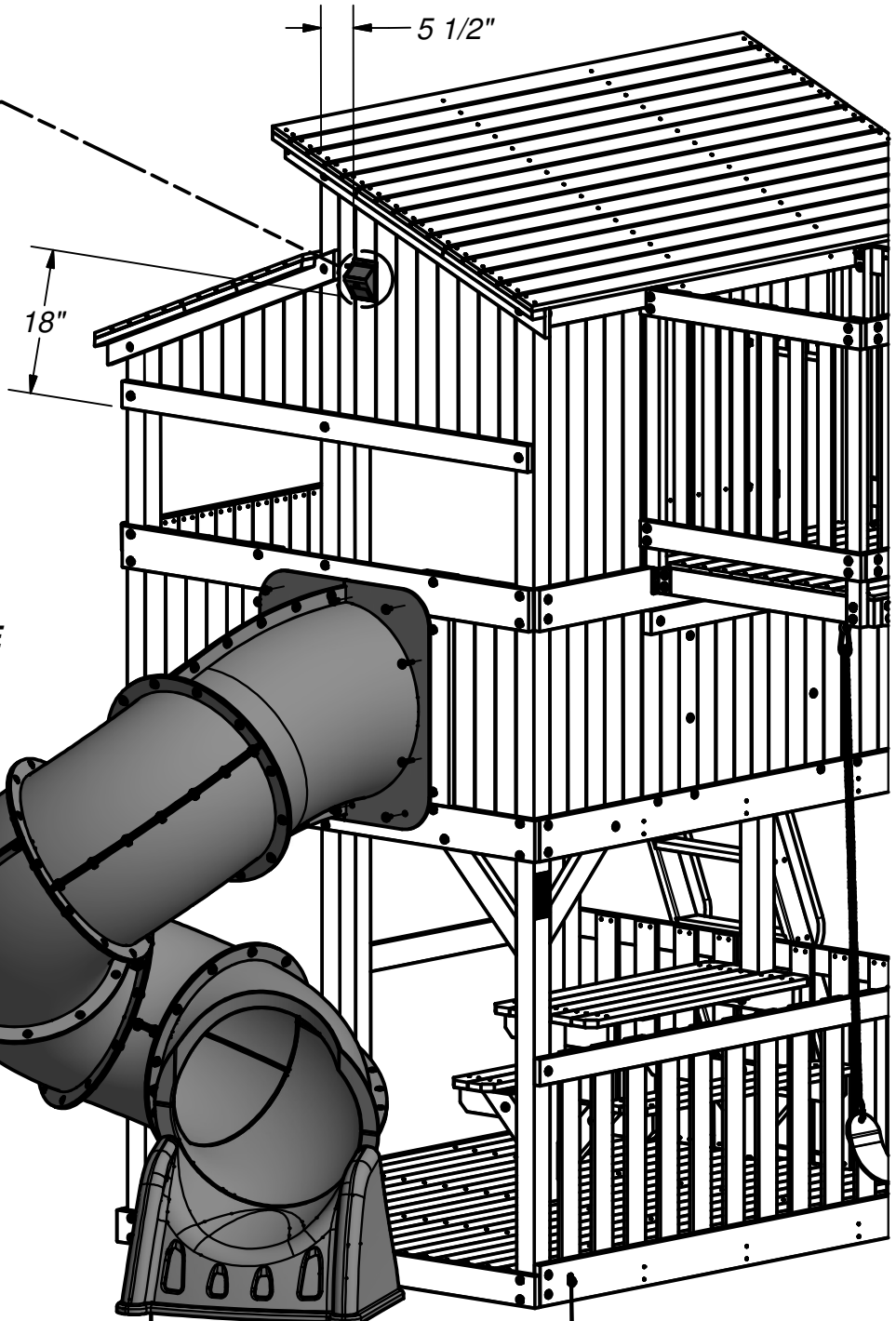
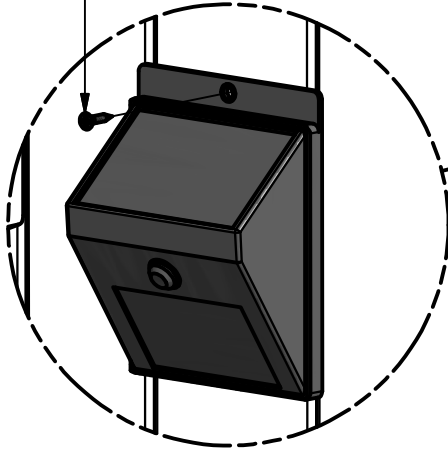


(1) - SOLAR LIGHT - A6P00272
1 7/8"x3 3/4"x4 7/8" (48x96x124)



STEP 106

SCREW PFH 6x5/8 BLK
(1 PLC)

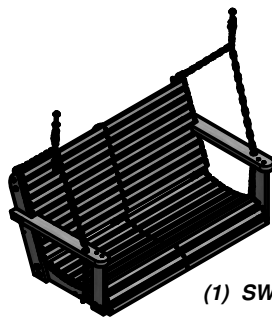


NOTE:
SOLAR LIGHT APPROXIMATE
LOCATION SHOWN ON
SKYLINE RETREAT

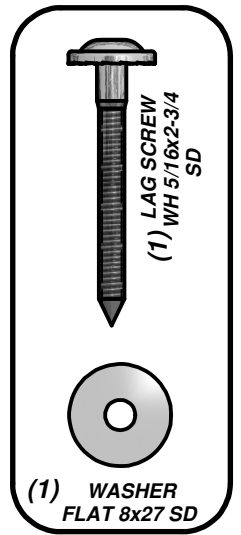
**EXTERIOR VIEW
(FRONT LIGHT ATTACHMENT)
LARGE FORT**



(1) - SHIPS WHEEL BLUE/LIME - A6P00125



(1) SWING ASSEMBLY



(1) LAG SCREW
WH 5/16x2-3/4
SD

(1) WASHER
FLAT 8x27 SD

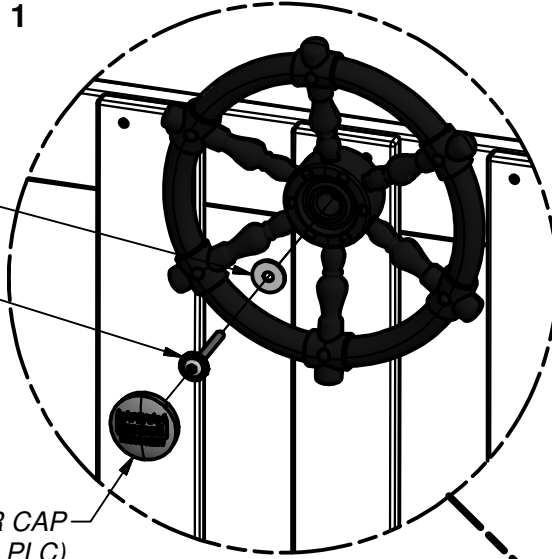
STEP 107

FIG. 1

WASHER FLAT 8x27 SD
(1 PLC)

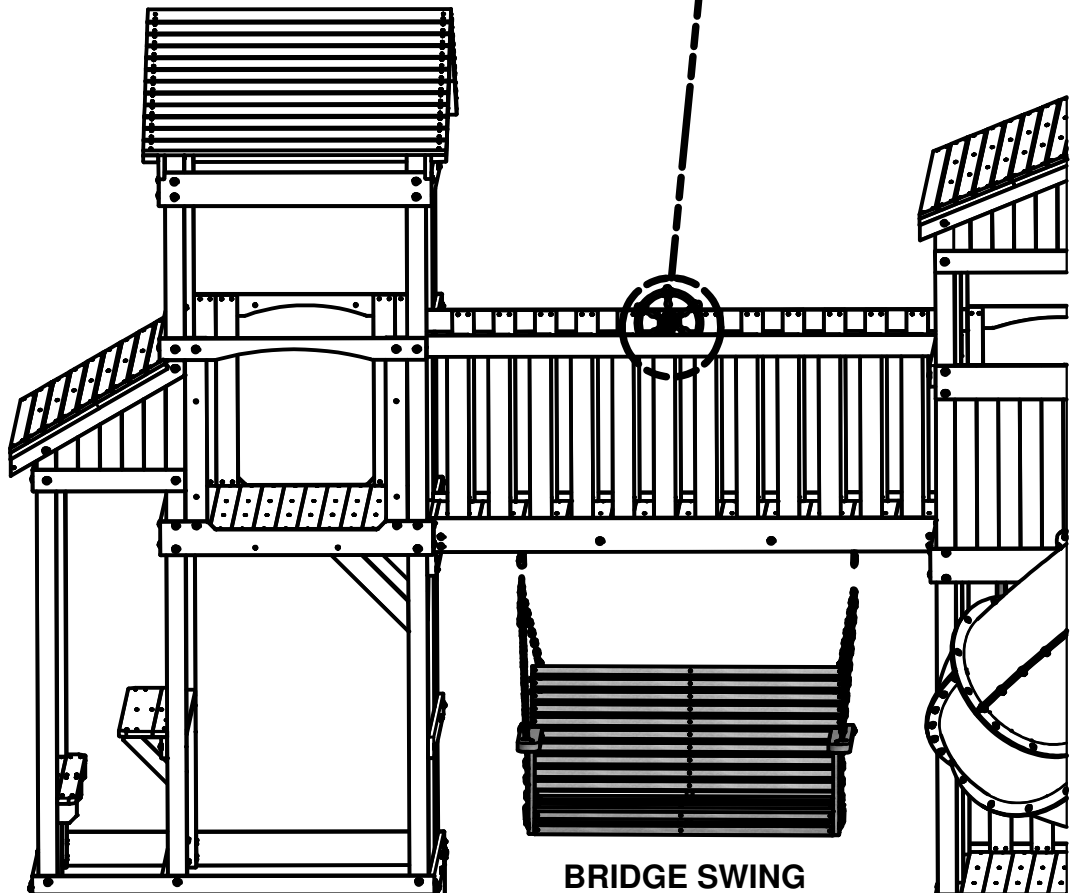
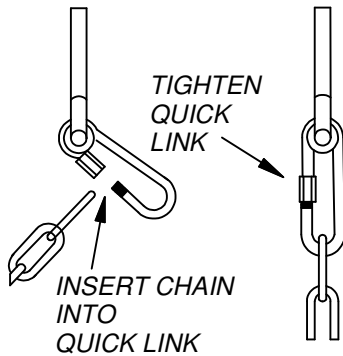
LAG SCREW WH 5/16x2-3/4 SD
(1 PLC)

SHIPS WHEEL CENTER CAP
(1 PLC)



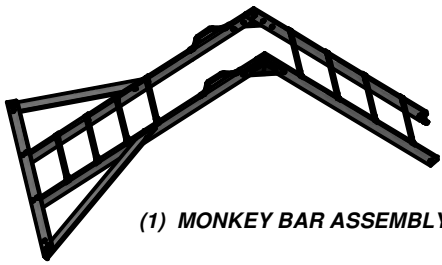
NOTE:
ATTACH SWING
USING QUICK LINKS

FIG. 2

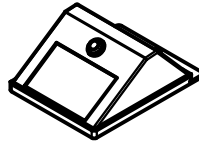


BRIDGE SWING

**EXTERIOR VIEW
(BRIDGE SWING & SHIP'S WHEEL)
BRIDGE**



(1) MONKEY BAR ASSEMBLY



(1) - SOLAR LIGHT - A6P00272
1 7/8"x3 3/4"x4 7/8" (48x96x124)



(2) BOLT WH
5/16x1 SD



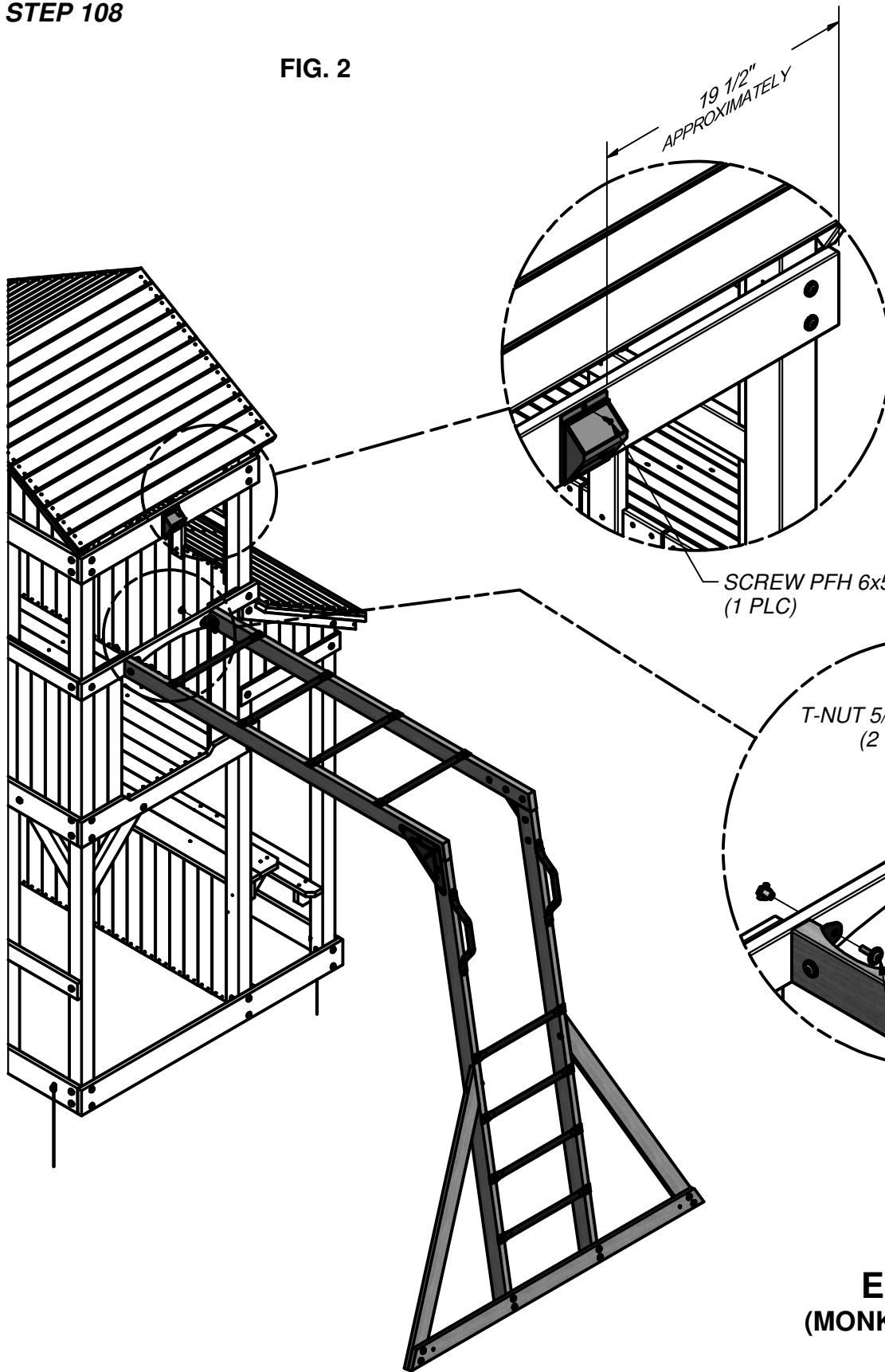
(2) T-NUT 5/16
SD



(1) SCREW PFH
6x5/8 BLK

STEP 108

FIG. 2



SCREW PFH 6x5/8 BLK
(1 PLC)

T-NUT 5/16 SD
(2 PLCS)

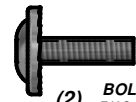
BOLT WH 5/16x1 SD
(2 PLCS)

FIG. 1

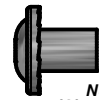
**EXTERIOR VIEW
(MONKEY BAR ATTACHMENT)
SMALL FORT**



(2) KC - METAL GROUND STAKE BROWN - A100178



(2) BOLT WH 5/16x1 SD

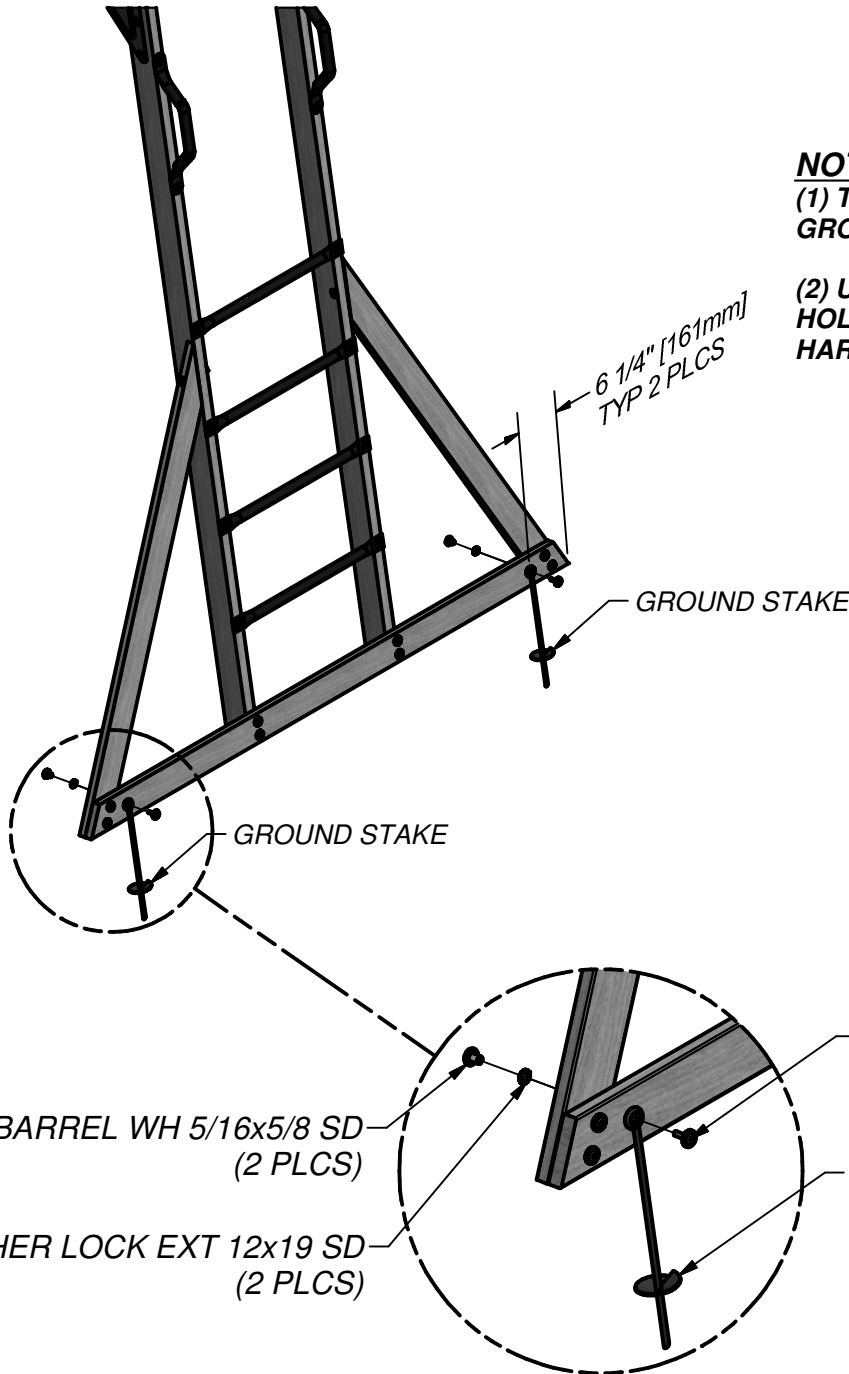


NUT BARREL
(2) WH 5/16x5/8 SD



WASHER
LOCK EXT
(2) 12x19 SD

STEP 109



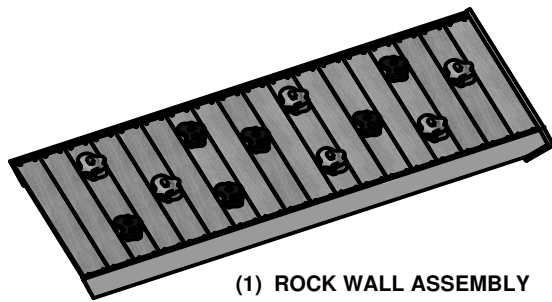
NOTE:

(1) TWIST STAKES INTO GROUND AGAINST GROUND BOARDS IN LOCATIONS SHOWN.

(2) USING STAKE AS A TEMPLATE, DRILL HOLE THRU GROUND BOARD FOR HARDWARE USING 7/16 DRILL.

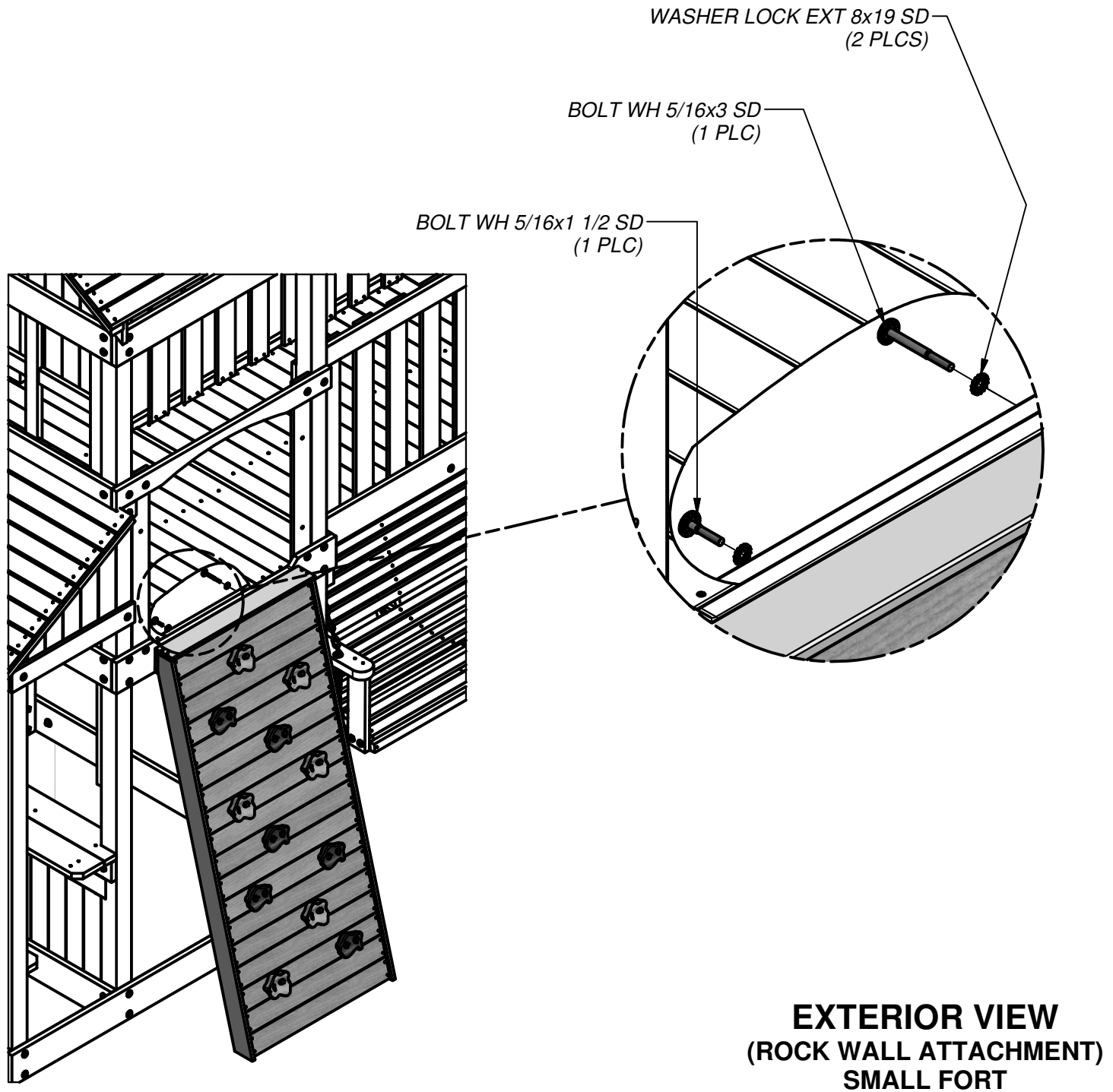
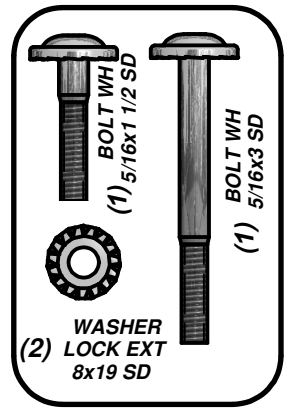
NOTE:
FAILURE TO USE GROUND ANCHORS CAN VOID WARRANTY & CAUSE INJURY!

EXTERIOR VIEW
(MONKEY BAR GROUND ANCHORS)
SMALL FORT



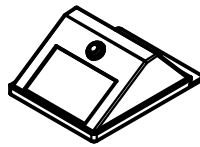
(1) ROCK WALL ASSEMBLY

STEP 110

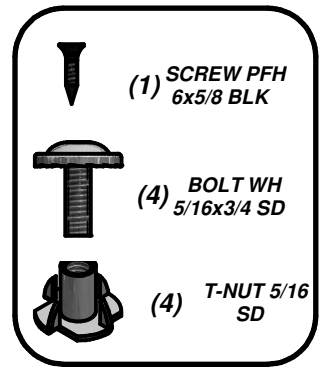




(2) FX - HAND GRIP METAL BLUE 381 c/c - A4M00769

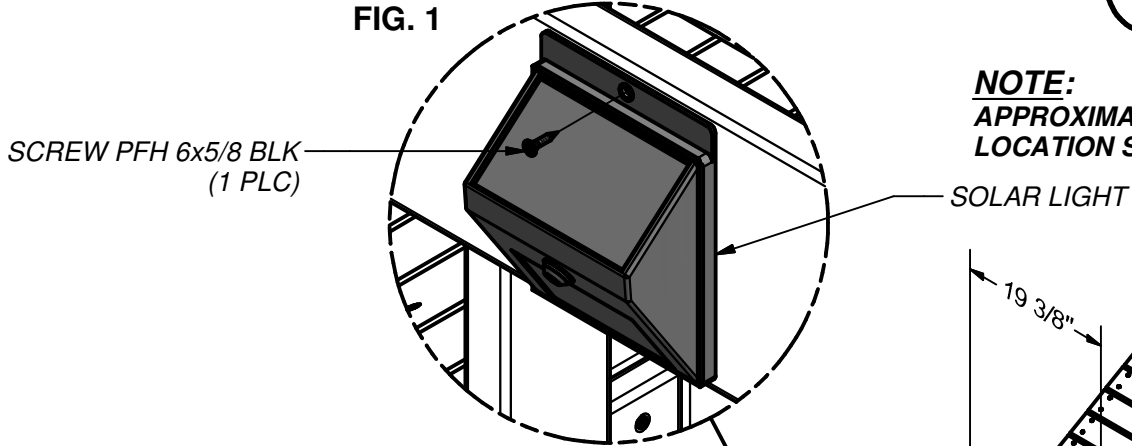


(1) - SOLAR LIGHT - A6P00272
1 7/8"x3 3/4"x4 7/8" (48x96x124)



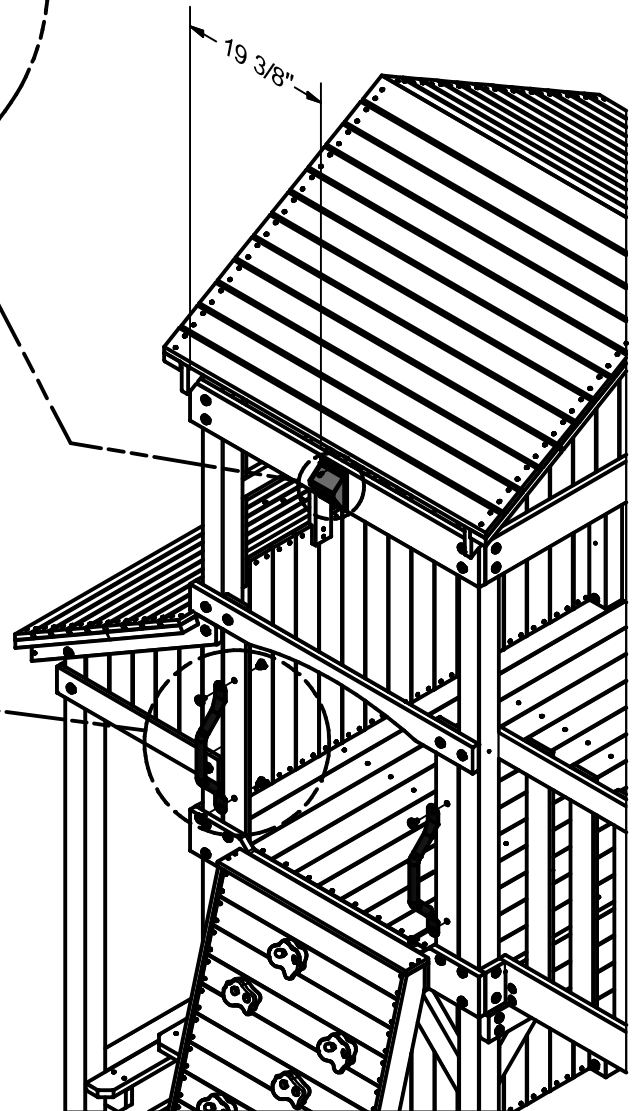
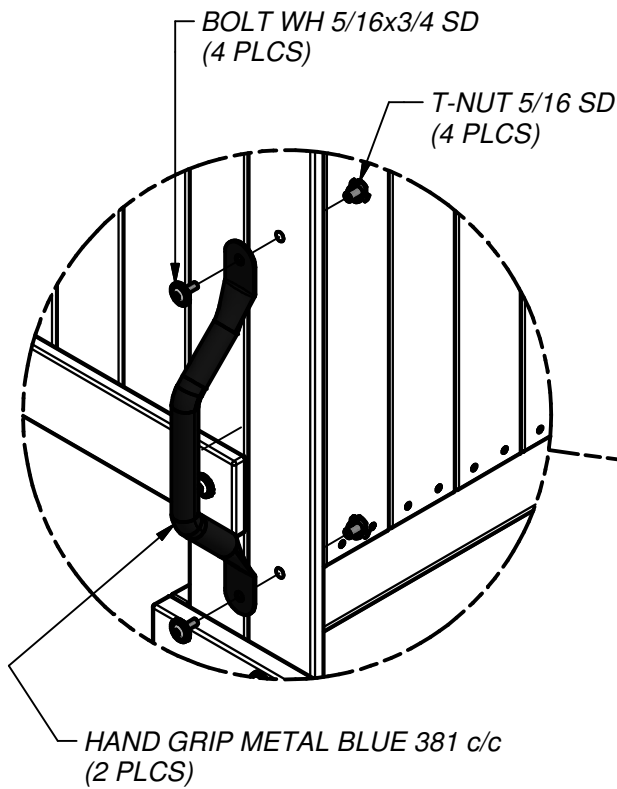
STEP 111

FIG. 1



NOTE:
APPROXIMATE LIGHT
LOCATION SHOWN

FIG. 2



FINAL STEP

DOUBLE CHECK EVERY BOLT, SCREW AND NUT FOR TIGHTNESS. MAKE SURE EVERY BOARD IS SECURE AND MAKE SURE THE PLAY SET IS LEVEL.

ENJOY YOUR NEW PLAY SET!

**EXTERIOR VIEW
(ROCK WALL GRAB HANDLES)
SMALL FORT**

Limited Warranty

This Limited Warranty by Backyard Discovery applies to products manufactured under the Backyard Discovery brand or its other brands including but not limited to Backyard Botanical, Adventure Playsets, and Leisure Time Products.

Backyard Discovery warrants that this product is free from defect in materials and workmanship for a period of one (1) year from the original date of purchase. This one (1) year warranty covers all parts including wood, hardware, and accessories. All wood carries a five (5) year pro-rated warranty against rot and decay. Refer to the schedule below for charges associated with replacement of parts under this Limited Warranty. In addition, Backyard Discovery will replace any parts within the first 30 days from date of purchase found to be missing from or damaged in the original packaging.

This warranty applies to the original owner and registrant and is **non-transferable**. Regular maintenance is required to assure maximum life and performance of this product and failure by the owner to maintain the product according to the maintenance requirements may void this warranty. Maintenance guidelines are provided in the Owner's Manual.

This Limited Warranty does not cover:

- Labor for any inspection
- Labor for replacement of any defective item(s)
- Incidental or consequential damages
- Cosmetic defects which do not affect performance or integrity of a part or the entire product
- Vandalism, improper use, failure due to loading or use beyond the capacities stated in the applicable Assembly Manual.
- Acts of nature including but not limited to wind, storms, hail, floods, excessive water exposure
- Improper installation including but not limited to installation on uneven, unlevel, or soft ground
- Minor twisting, warping, checking, or any other natural occurring properties of wood that do not affect performance or integrity

Backyard Discovery products have been designed for safety and quality. Any modifications made to the original product could damage the structural integrity of the unit leading to failure and possible injury. Modification voids any and all warranties and Backyard Discovery assumes no liability for any modified products or consequences resulting from failure of a modified product.

This product is warranted for RESIDENTIAL USE ONLY. Under no circumstance should a Backyard Discovery product be used in public settings. Such use may lead to product failure and potential injury. Any and all public use will void this warranty. Backyard Discovery disclaims all other representations and warranties of any kind, express or implied.

This Warranty gives you specific legal rights. You may have other rights as well which vary from state to state or province to province. This warranty excludes all consequential damages, however, some states do not allow the limitation or exclusion of consequential damages and therefore this limitation may not apply to you.

Pro Rated Part Replacement Schedule

Product Age

All Parts

0-30 days from date of purchase

31 days to 1 year

Wood Rot and Decay Only

1 year

2 years

3 years

4 years

5 years

Over 5 years

Customer Pays

\$0 and free shipping

\$0 + S&H

\$0 and free shipping

20% + S&H

40% + S&H

60% + S&H

80% + S&H

100% + S&H

