

## SETTING UP YOUR NEW MOWER

### Honda HRR216VXA

Serial number: MZCG-7800001 ~ Forward

#### Before Using Your Lawn Mower

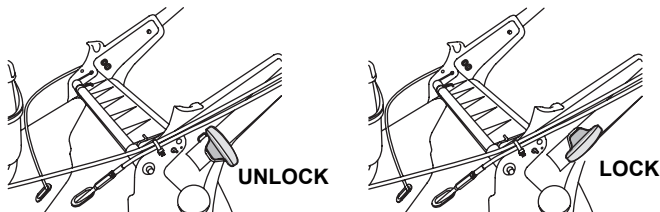
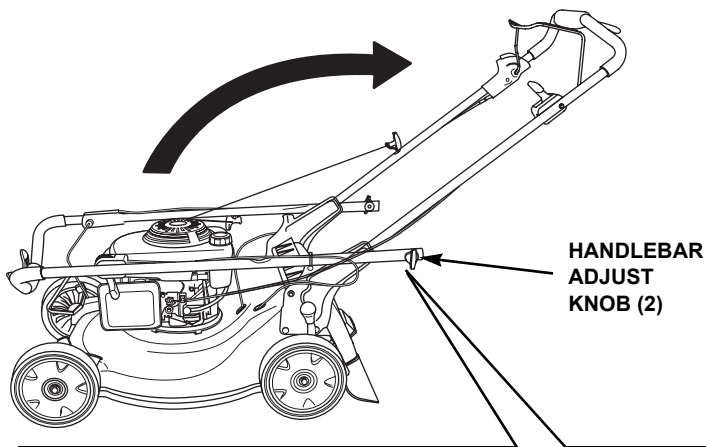
Before using the lawn mower, all mower operators must read the following sections:

- LAWN MOWER SAFETY
- OPERATION
- CONTROL LOCATIONS
- MAINTENANCE SCHEDULE
- BEFORE OPERATION

#### Unpacking

Remove all the cardboard from around the handlebar.

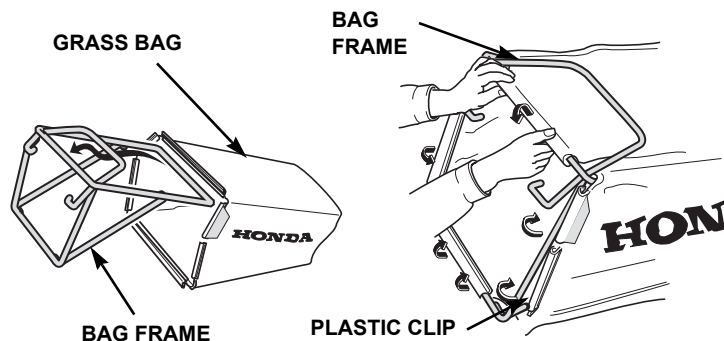
- 1. Handlebar Setup** Raise the handlebar into the mowing position with the handlebar adjust knobs in the unlock position.



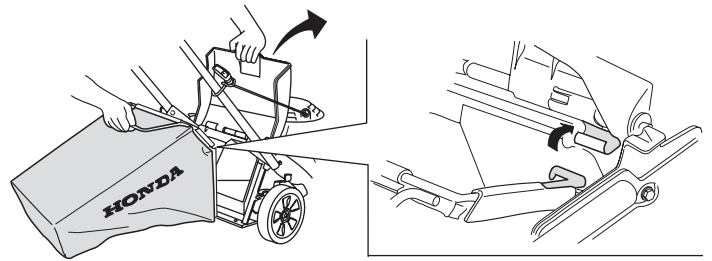
- 2.** Turn the adjust knobs 90 degrees into the lock position so the pins will spring into the holes and lock into position.

#### Grass Bag Assembly

Slide the grass bag frame into the grass bag and attach the clips as shown.



Lift the discharge guard, remove the mulching plug, and install the grass bag.



#### Engine Oil

The mower is shipped **WITHOUT OIL** in the engine.

A bottle of oil is included in the box with your mower. Add the entire contents of the oil bottle into the oil filler opening.

All Honda engines are run at the factory prior to packaging. Most of the oil is removed prior to shipment; however, some oil remains in the engine. The amount of oil left in the engine varies.

If not using the supplied oil, add enough SAE 10W-30 API service category SJ or later oil to bring the oil level between the upper and lower limit marks on the dipstick as shown.

Do not overfill the engine with oil. If the engine is overfilled, the excess oil may get transferred to the air cleaner housing and air cleaner.

After filling the engine with oil, remove the hang tag near the recoil starter grip that says "The engine has no oil. A container of oil is in the shipping box."

#### Fuel

This engine is certified to operate on unleaded gasoline with a pump octane rating of 86 or higher.

We recommend refueling after each use to minimize the air present in the fuel tank.

Refuel in a well-ventilated area with the engine stopped. If the engine has been running, allow it to cool first. Never refuel the engine inside a building where gasoline fumes may reach flames or sparks.

#### Please Register Your Lawn Mower

If your dealer did not collect registration information from you, please take a few minutes and register your purchase with Honda. This allows us to contact you with any important updates regarding your mower. Your information will remain confidential. It will not be released to any other company or organization. Please note, registration is not required to obtain warranty service.

You can register by completing and mailing the included registration card, or go online to [www.hondapowerequipment.com](http://www.hondapowerequipment.com) and click on Product Registration.

