

**Important Note:**

In the event the INK STAMP identifier is not easy to read or is missing from a wood component, match the unique geometric shape and dimensions of the wood component found in a specific assembly step to the PARTS IDENTIFICATION section when required. This will aid in identifying the part for assembly and (or) customer service issues.

# **Parts Identification**

## **Wood Components**

**(NOT TO SCALE)**



(10) **D1 - JOIST - W4L11729**  
1 3/8"x5 1/4"x114" (36x134x2895)



(2) **D2 - JOIST - W4L11724**  
1 3/8"x5 1/4"x87 3/4" (36x134x2228)



(4) **D3 - JOIST - W4L11723**  
1 3/8"x5 1/4"x27 1/2" (36x134x700)



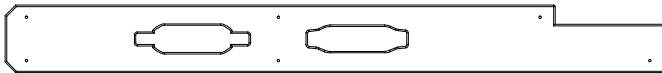
(2) **D4 - JOIST - W4L11722**  
1 3/8"x5 1/4"x96" (36x134x2438)



(4) **D5 - SHORT ANGLE BRACE - W4L11727**  
1 7/16"x5 1/4"x33 5/8" (36x134x854)



(4) **D6 - LONG ANGLE BRACE - W4L11726**  
1 3/8"x5 1/4"x36 3/4" (36x134x933)



(1) **D7 - CORD COVER - W4L12268**  
1"x5 1/4"x51 5/8" (24x134x1310)



(2) **F3 - TABLE BRACE - W4L12249**  
1 3/8"x2 3/8"x12 13/16" (36x60x325)



(4) **F1 - SPACER - W4L11730**  
1 3/8"x2"x5 1/2" (36x50x140)



(1) **F2 - TABLE BRACE - W4L12246**  
1 3/8"x2 3/8"x11 7/8" (36x60x303)



(1) **F4 - TABLE BRACE - W4L12325**  
1 3/8"x2 3/8"x11 7/8" (36x60x303)



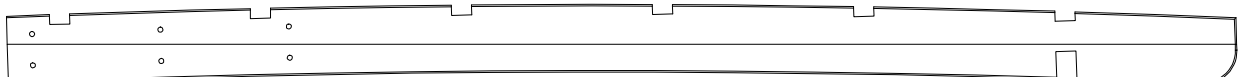
(3) **G1 - TABLE BRACE - W4L12247**  
1"x5 1/4"x16 5/8" (24x134x423)



(3) **G2 - TABLE BRACE - W4L12248**  
1"x5 1/4"x16 5/8" (24x134x423)



(4) **Z1 - JOIST - W4L11725**  
1 3/8"x6 1/4"x96 1/8" (36x157x2443)



(6) **Z2 - JOIST - W4L11728**  
1 3/8"x6 1/4"x96 1/8" (36x157x2443)

**Important Note:**

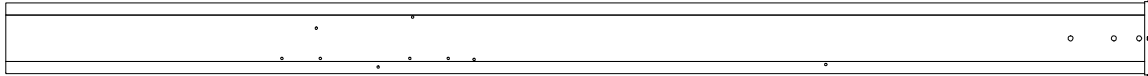
In the event the INK STAMP identifier is not easy to read or is missing from a wood component, match the unique geometric shape and dimensions of the wood component found in a specific assembly step to the PARTS IDENTIFICATION section when required. This will aid in identifying the part for assembly and (or) customer service issues.

---

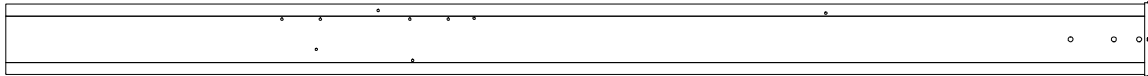
## **Parts Identification**

### *Wood Components*

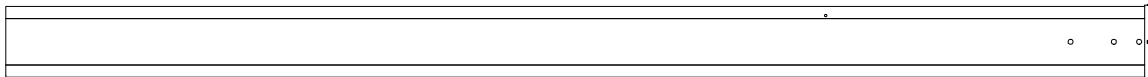
**(NOT TO SCALE)**



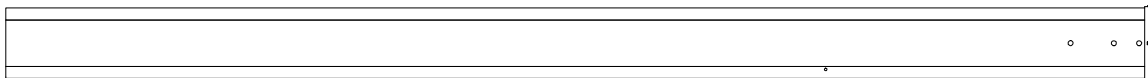
(1) **PT1 - PERGOLA POST - W2A02730**  
5 1/2"x5 1/2"x89 9/16"(140x140x2275)



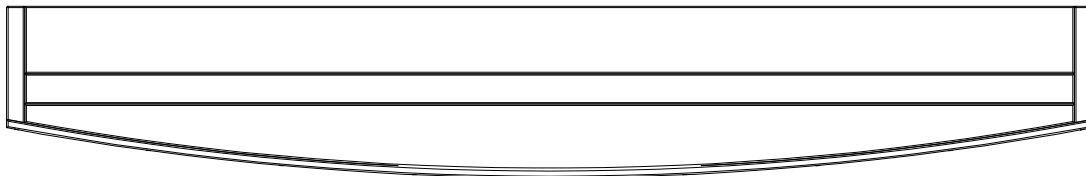
(1) **PT2 - PERGOLA POST - W2A02561**  
5 1/2"x5 1/2"x89 9/16"(140x140x2275)



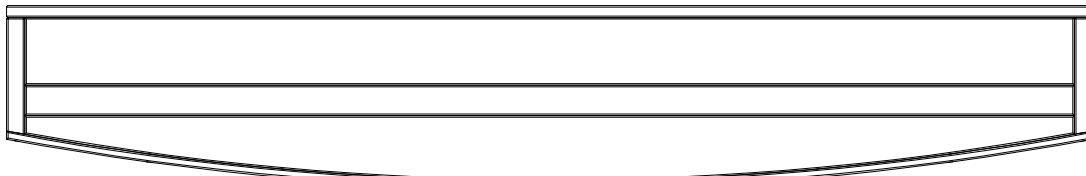
(1) **PT3 - PERGOLA POST - W2A02731**  
5 1/2"x5 1/2"x89 9/16"(140x140x2275)



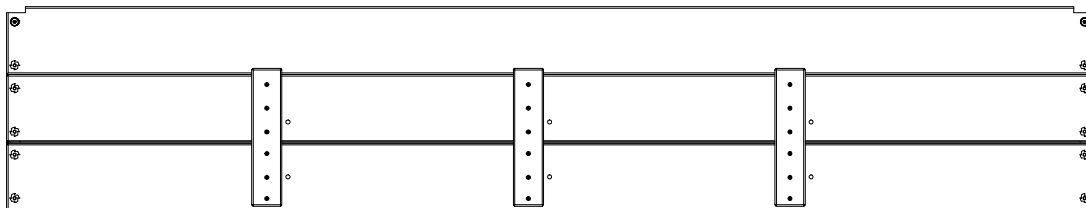
(1) **PT4 - PERGOLA POST - W2A02562**  
5 1/2"x5 1/2"x89 9/16"(140x140x2275)



(1) **TT1 - INSIDE TABLE TOP ASSEMBLY - W2A02564**  
2 3/8"x13 3/8"x84 7/8" (60x340x2156)



(1) **TT2 - OUTER TABLE TOP ASSEMBLY - W2A02563**  
2 3/8"x14 5/16"x84 7/8" (60x364x2156)



(1) **WP1 - WALL PANEL - W2A02565**  
2 1/2"x15 15/16"x84 7/8" (65x405x2156)

**Important Note:**

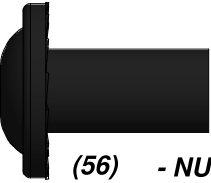
Backyard Discovery recommends taking all the hardware out of the box and arranging them by type before you begin assembly. This will allow for faster assembly and easy identification of any hardware that may be missing or damaged so they can be replaced before assembly.

# Parts Identification

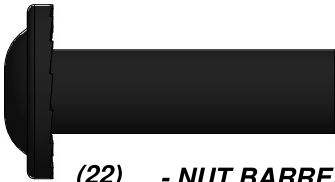
## Hardware



(17) - CONCRETE ANCHOR 1/4"x2" - H100120



(56) - NUT BARREL WH 5/16x7/8 BLK - H100192



(22) - NUT BARREL WH 5/16x1-1/2 BLK - H100193



(9) - SCREW PFH 8X2-1/2 BLK - H100201



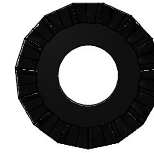
(46) - SCREW PFH 8X1-1/2 BLK - H100200



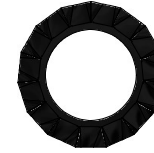
(44) - SCREW PWH 8x1-1/4 BLK - H100536



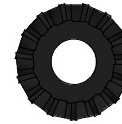
(9) - SCREW PWH 8x3/4 BLK - H100392



(136) - WASHER LOCK EXT 8x19 BLK - H100198



(78) - WASHER LOCK EXT 12x19 BLK - H100199



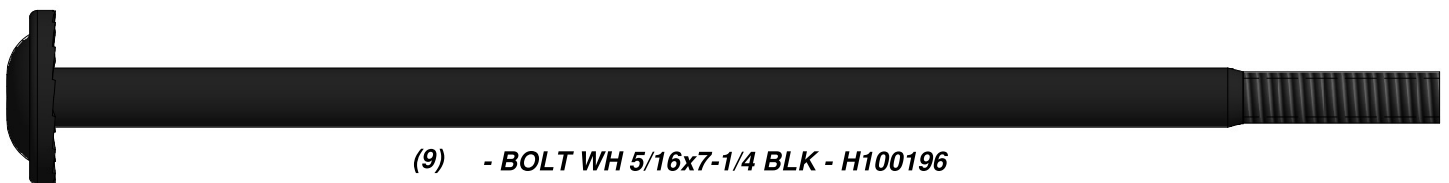
(19) - WASHER LOCK EXT 6x15 BLK - H100405



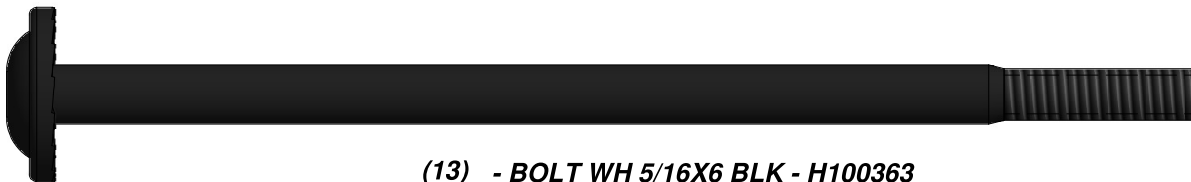
(7) - T-NUT 1/4 BLK - H100398



(7) - BOLT WH 1/4x2-1/4 BLK - H100567



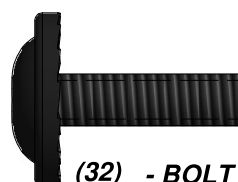
(9) - BOLT WH 5/16x7-1/4 BLK - H100196



(13) - BOLT WH 5/16X6 BLK - H100363



(26) - BOLT WH 5/16x2-1/4 BLK - H100205

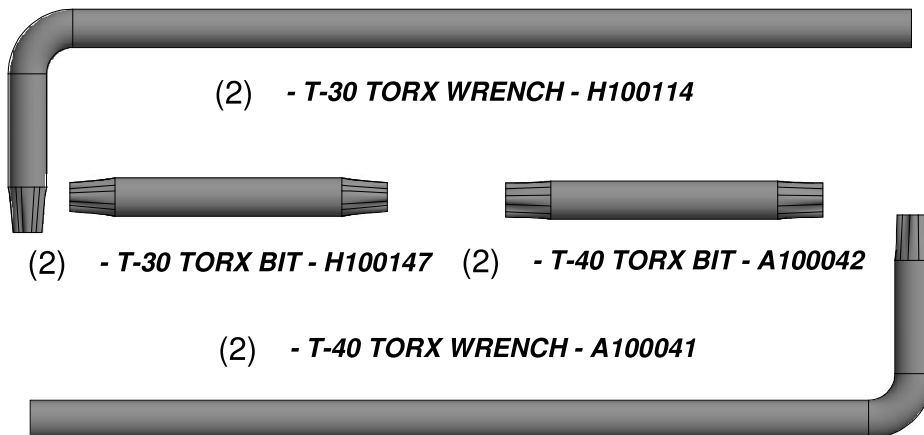


(32) - BOLT WH 5/16x1 BLK - H100468

**Important Note:**

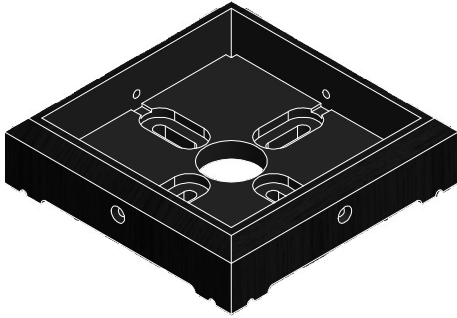
Backyard Discovery recommends taking all the hardware out of the box and arranging them by type before you begin assembly. This will allow for faster assembly and easy identification of any hardware that may be missing or damaged so they can be replaced before assembly.

**Parts Identification**  
*Hardware*



# Parts Identification

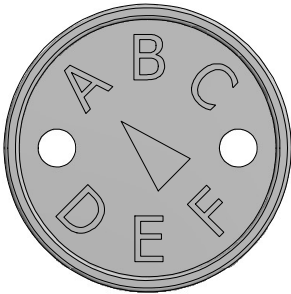
Accessories  
(NOT TO SCALE)



(4) HT - FOOT 142 SQUARE POST - A100029



(1) - BYD ID TAG (SMALL) WITHOUT AGES - A100241



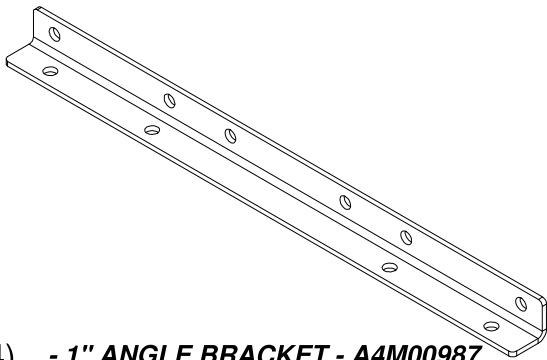
(1) - "A" REVISION TAG - A100314



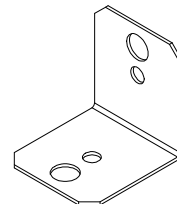
(1) STAIN MARKER - BW-2UV - A6P00173



(1) PERGOLA ELECTRICAL KIT - A6P00265



(4) - 1" ANGLE BRACKET - A4M00987



(2) - 90° L-BRACKET - BLK - A4M00555



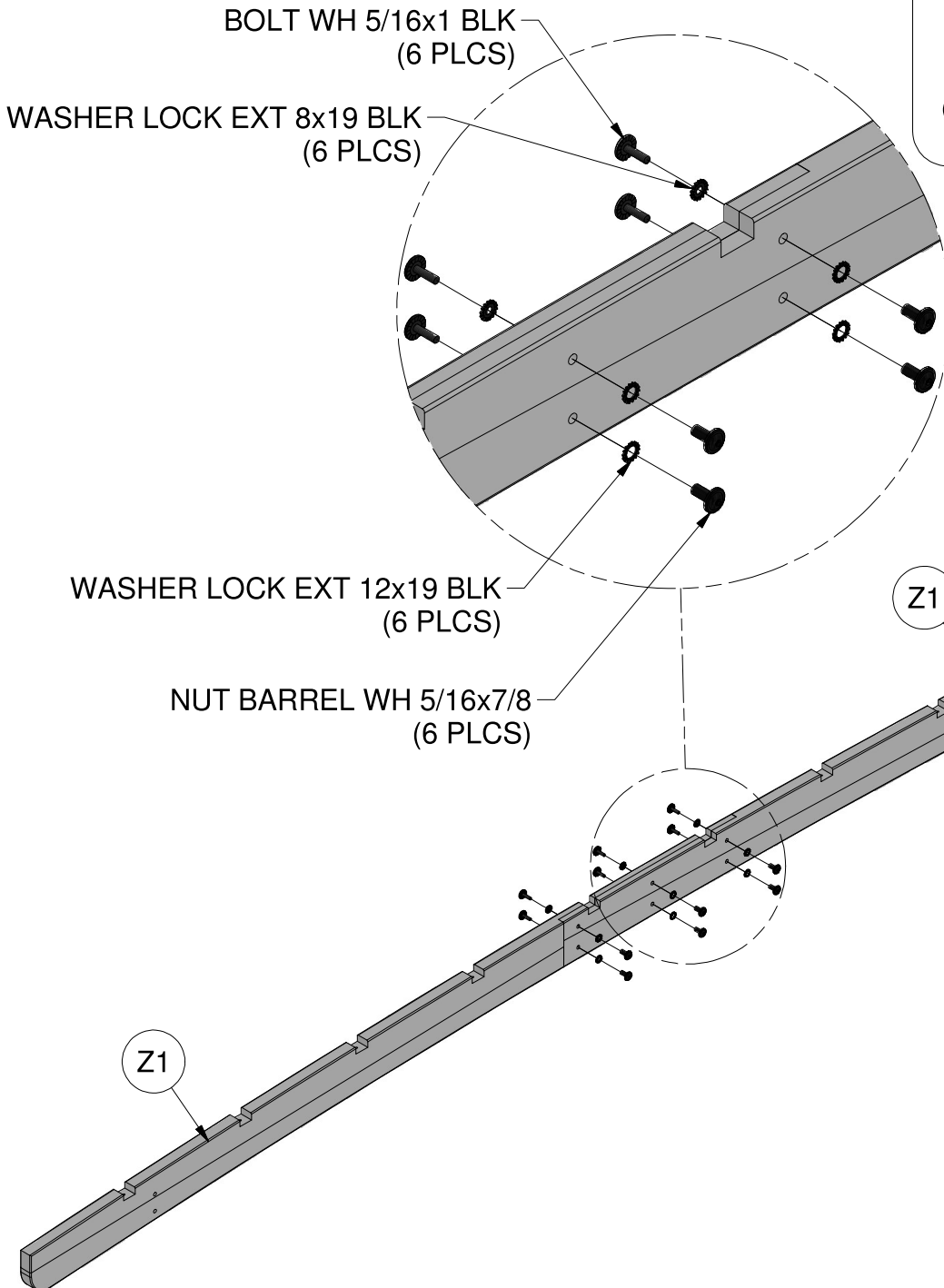
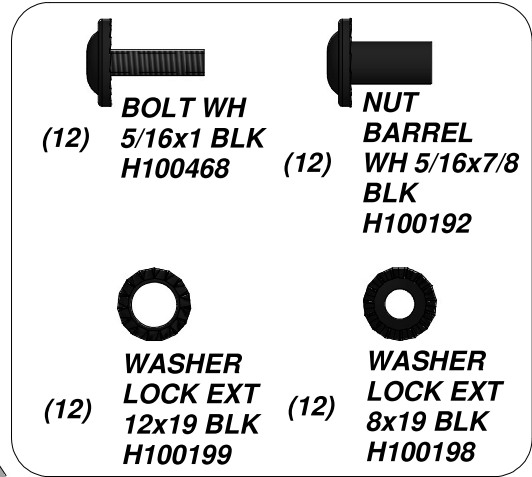
(4) **Z1 - JOIST - W4L11725**  
 1 3/8"x6 1/4"x96 1/8" (36x157x2443)

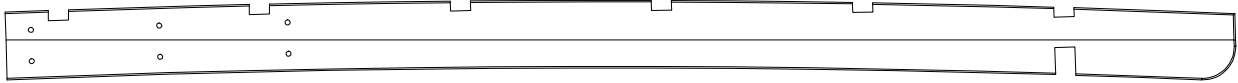
**STEP 1**

**COMPLETE THIS STEP TWICE**

**TIP:**

FOR EASE OF ASSEMBLY WE RECOMMEND  
 USING SAW HORSES FOR STEPS 1 THROUGH 5









**Z2 - JOIST - W4L11728**  
(6) 1 3/8"x6 1/4"x96 1/8" (36x157x2443)

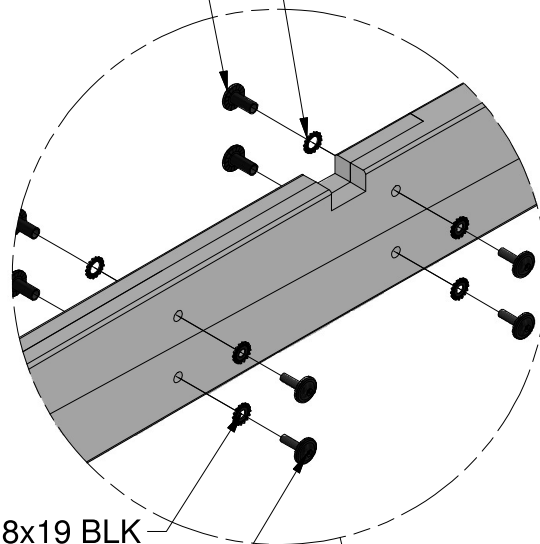
**STEP 2**

**COMPLETE THIS STEP THREE TIMES**

 <b>BOLT WH</b> (18) 5/16x1 BLK H100468	 <b>NUT</b> <b>BARREL</b> (18) WH 5/16x7/8 BLK H100192
 <b>WASHER</b> <b>LOCK EXT</b> (18) 12x19 BLK H100199	 <b>WASHER</b> <b>LOCK EXT</b> (18) 8x19 BLK H100198

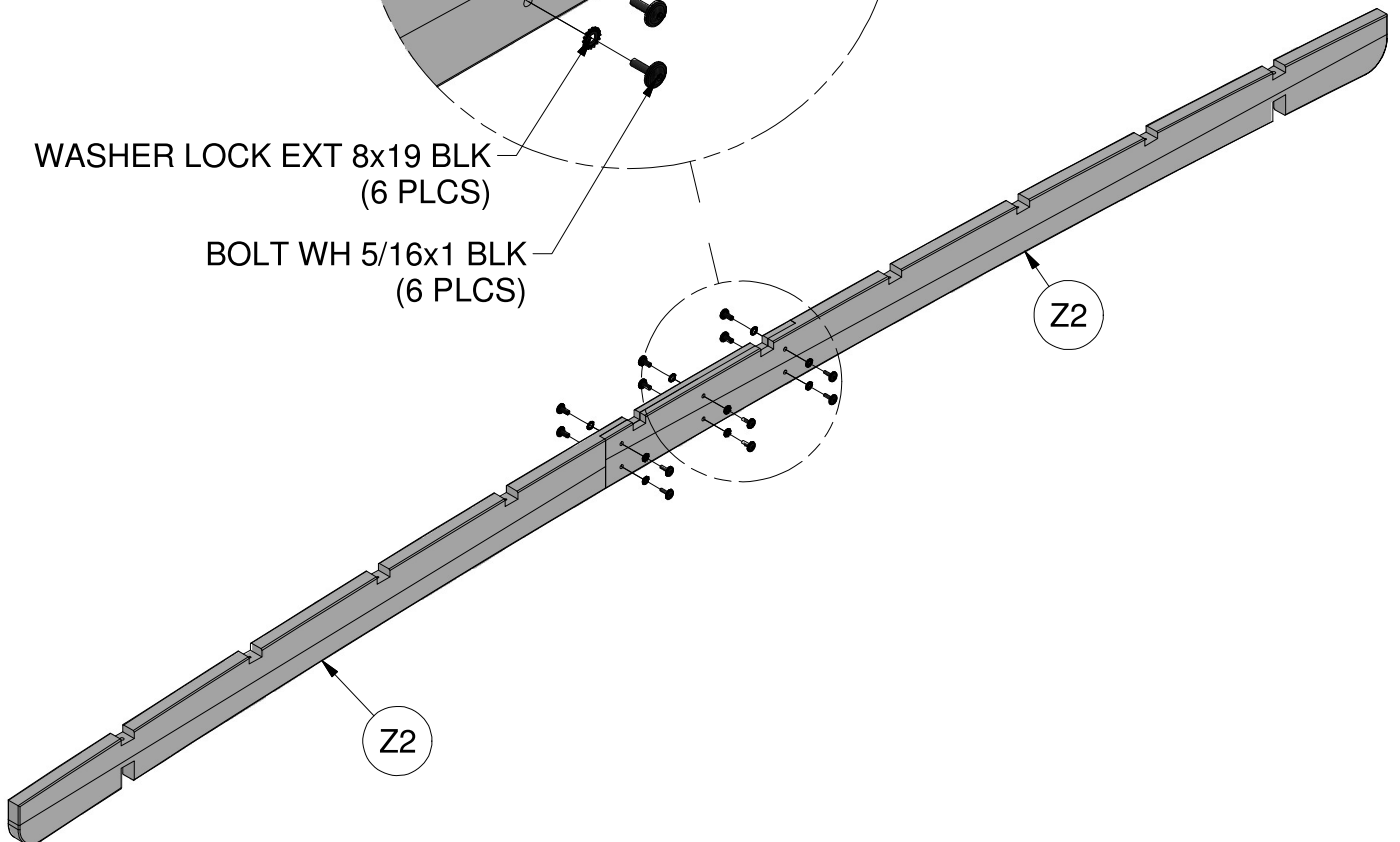
WASHER LOCK EXT 12x19 BLK  
(6 PLCS)

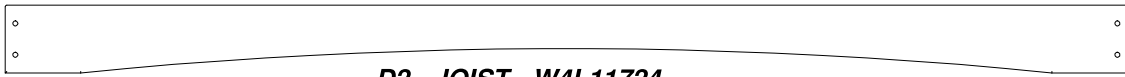
NUT BARREL WH 5/16x7/8  
(6 PLCS)



WASHER LOCK EXT 8x19 BLK  
(6 PLCS)

BOLT WH 5/16x1 BLK  
(6 PLCS)





(2) **D2 - JOIST - W4L11724**  
1 3/8"x5 1/4"x87 3/4" (36x134x2228)



(4) **D3 - JOIST - W4L11723**  
1 3/8"x5 1/4"x27 1/2" (36x134x700)

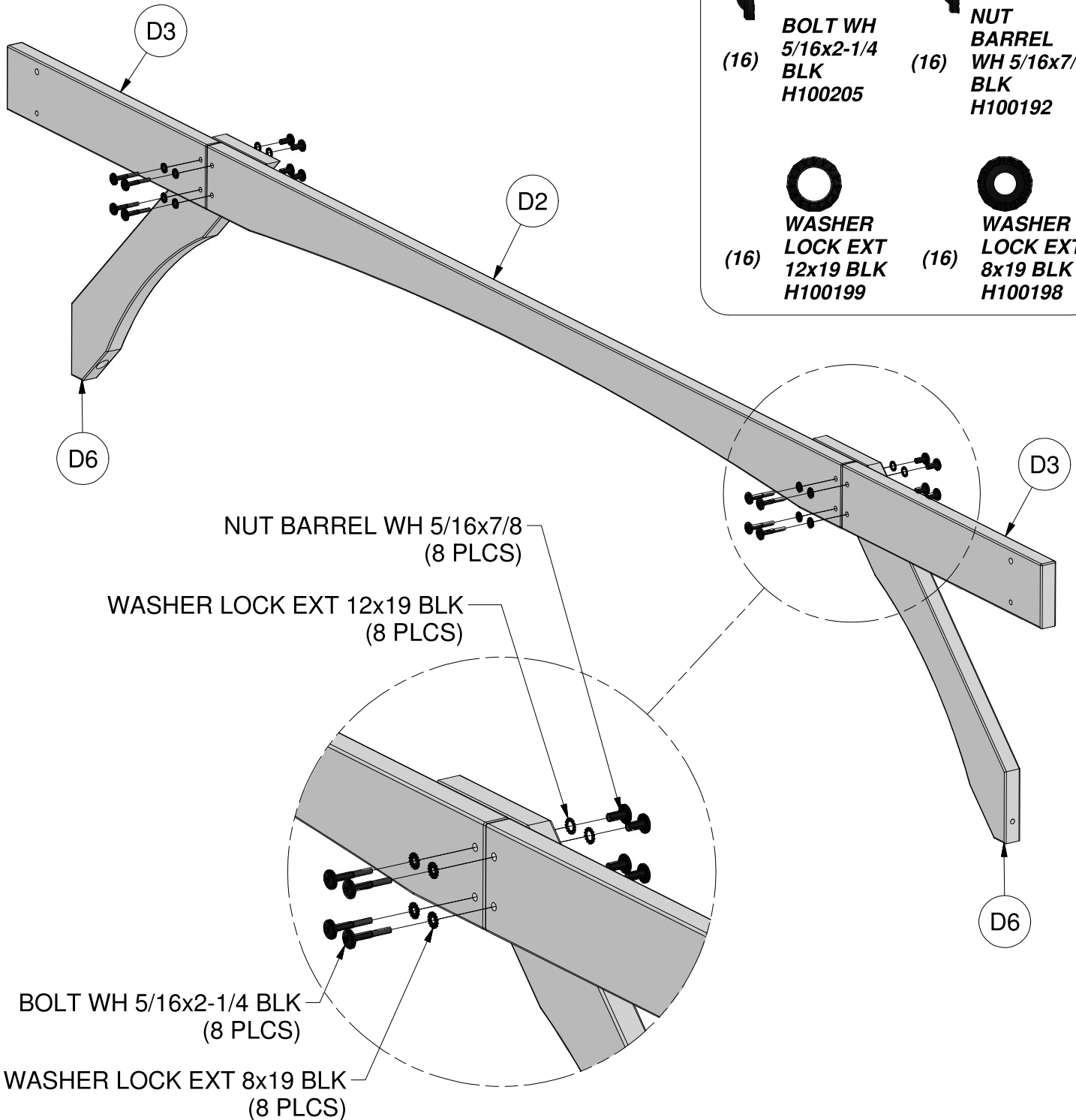


(4) **D6 - LONG ANGLE BRACE - W4L11726**  
1 3/8"x5 1/4"x36 3/4" (36x134x933)

**STEP 3**

**COMPLETE THIS STEP TWICE**

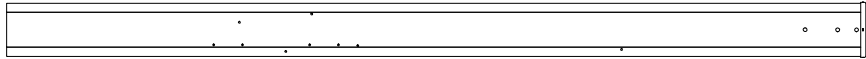
(16) <b>BOLT WH</b> 5/16x2-1/4 BLK H100205	(16) <b>NUT</b> BARREL WH 5/16x7/8 BLK H100192
(16) <b>WASHER</b> LOCK EXT 12x19 BLK H100199	(16) <b>WASHER</b> LOCK EXT 8x19 BLK H100198







(2) **D5 - SHORT ANGLE BRACE - W4L11727**  
 1 7/16"x5 1/4"x33 5/8" (36x134x854)



(1) **PT1 - PERGOLA POST - W2A02730**  
 5 1/2"x5 1/2"x89 9/16"(140x140x2275)

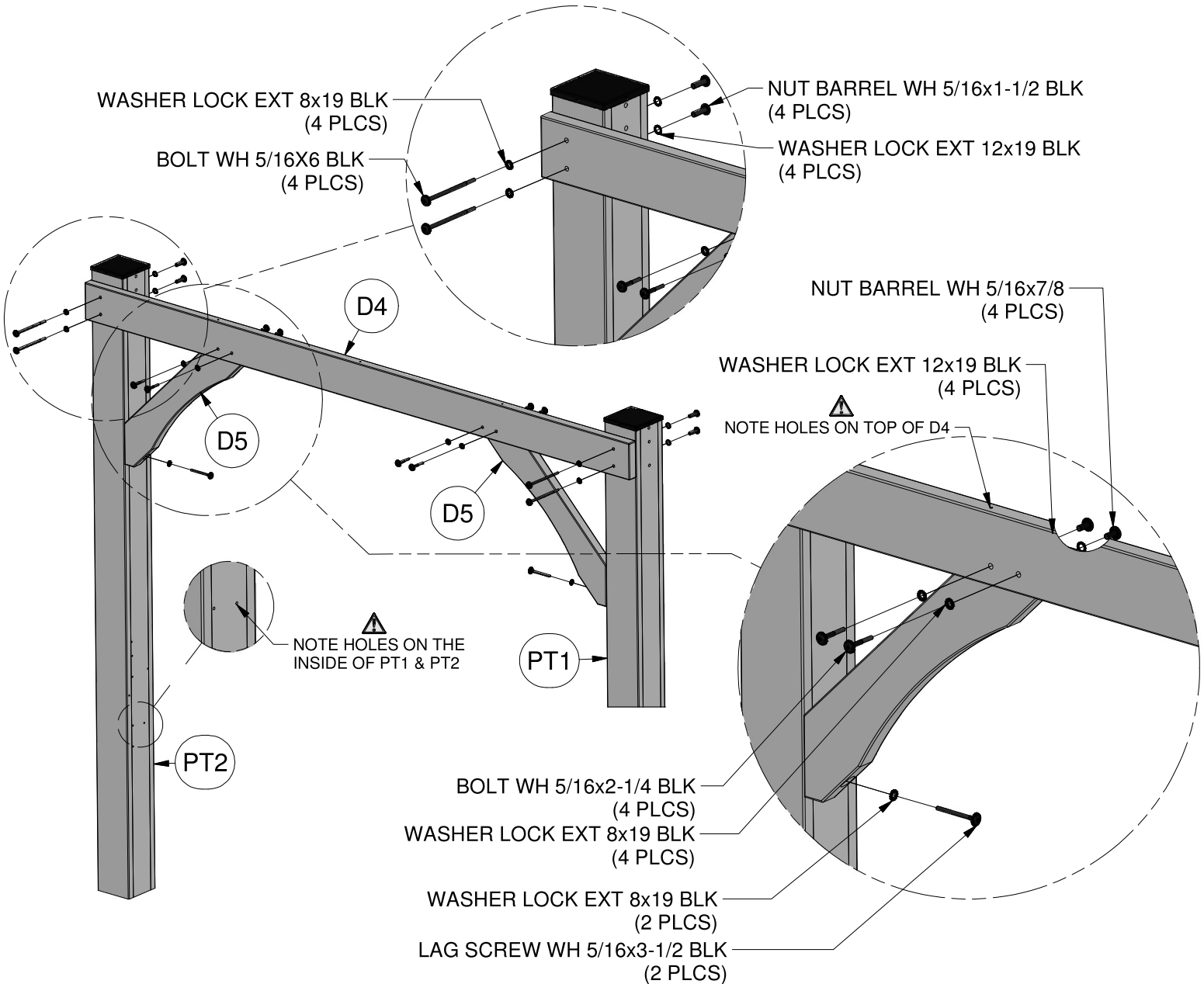
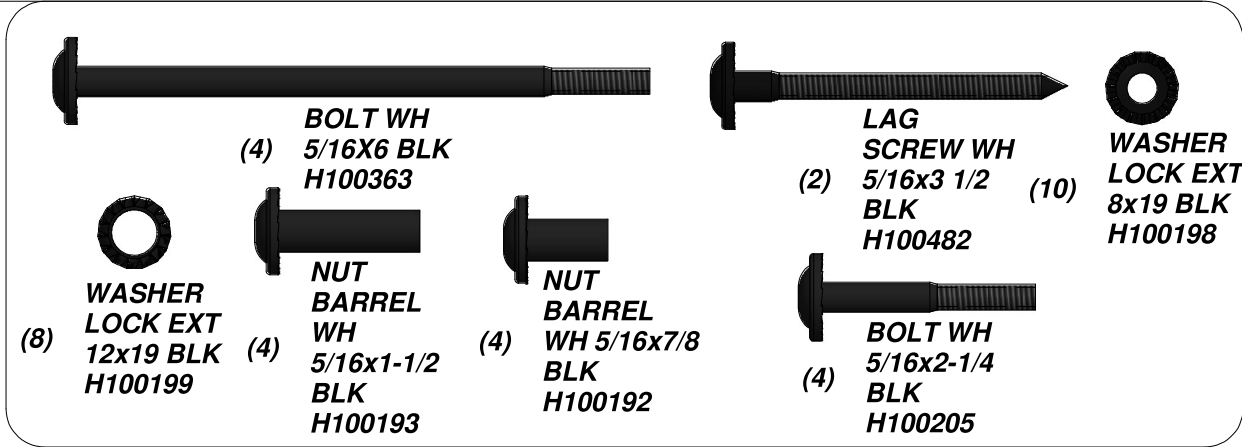


(1) **PT2 - PERGOLA POST - W2A02561**  
 5 1/2"x5 1/2"x89 9/16"(140x140x2275)

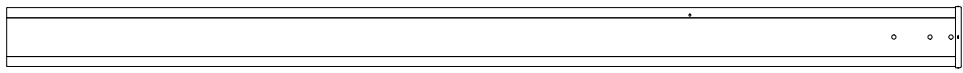


(1) **D4 - JOIST - W4L11722**  
 1 3/8"x5 1/4"x96" (36x134x2438)

**STEP 4**

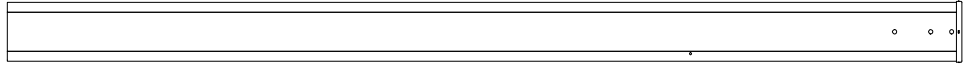


(2) **D5 - SHORT ANGLE BRACE - W4L11727**  
 1 7/16"x5 1/4"x33 5/8" (36x134x854)



(1) **PT3 - PERGOLA POST - W2A02731**  
 5 1/2"x5 1/2"x89 9/16" (140x140x2275)

(1) **D4 - JOIST - W4L11722**  
 1 3/8"x5 1/4"x96" (36x134x2438)

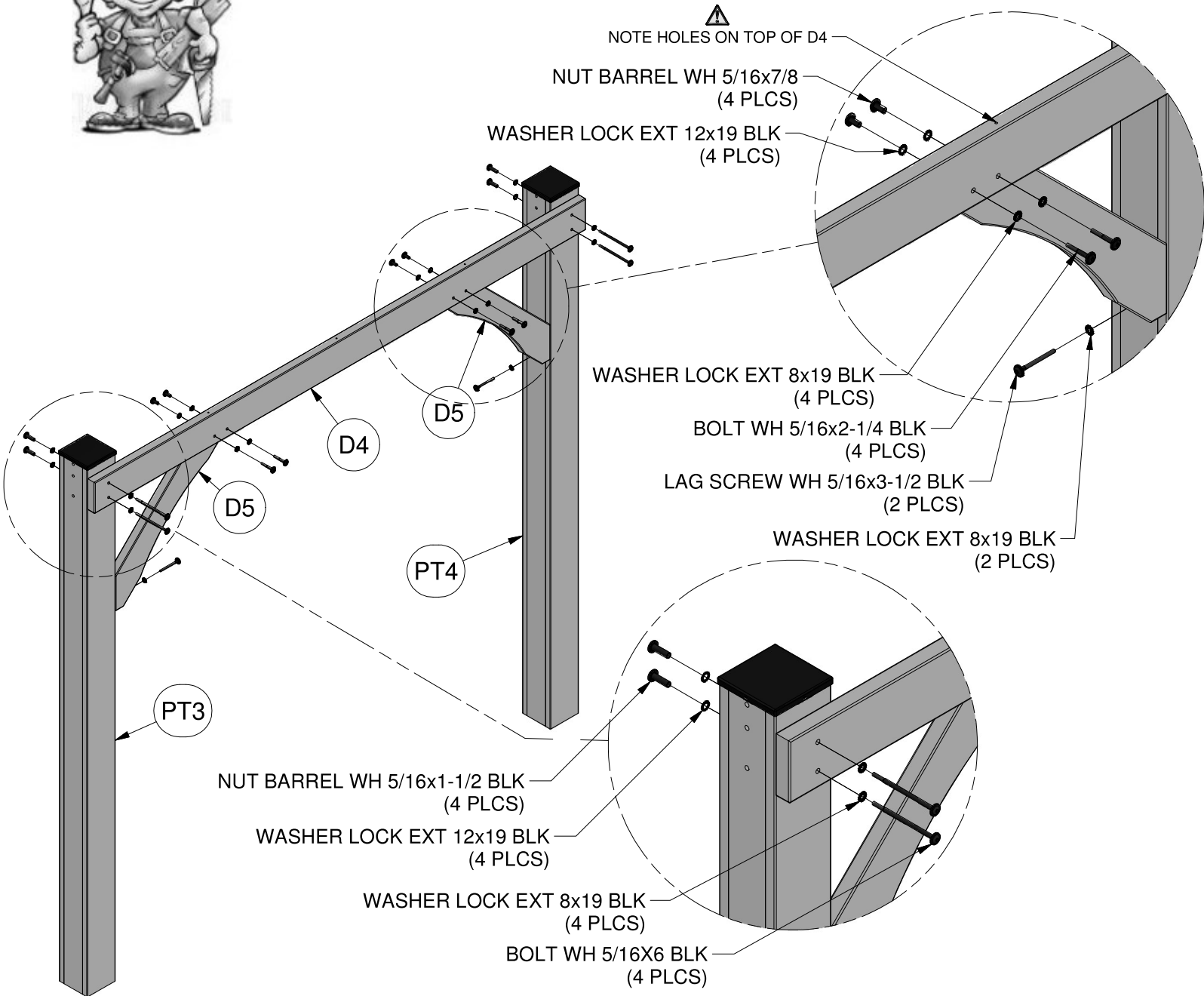


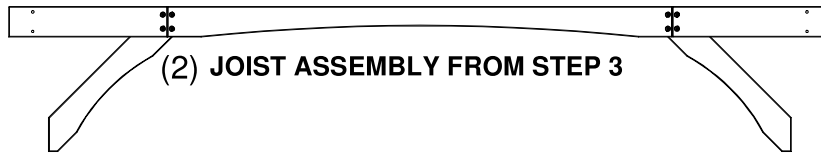
(1) **PT4 - PERGOLA POST - W2A02562**  
 5 1/2"x5 1/2"x89 9/16" (140x140x2275)

**STEP 5**



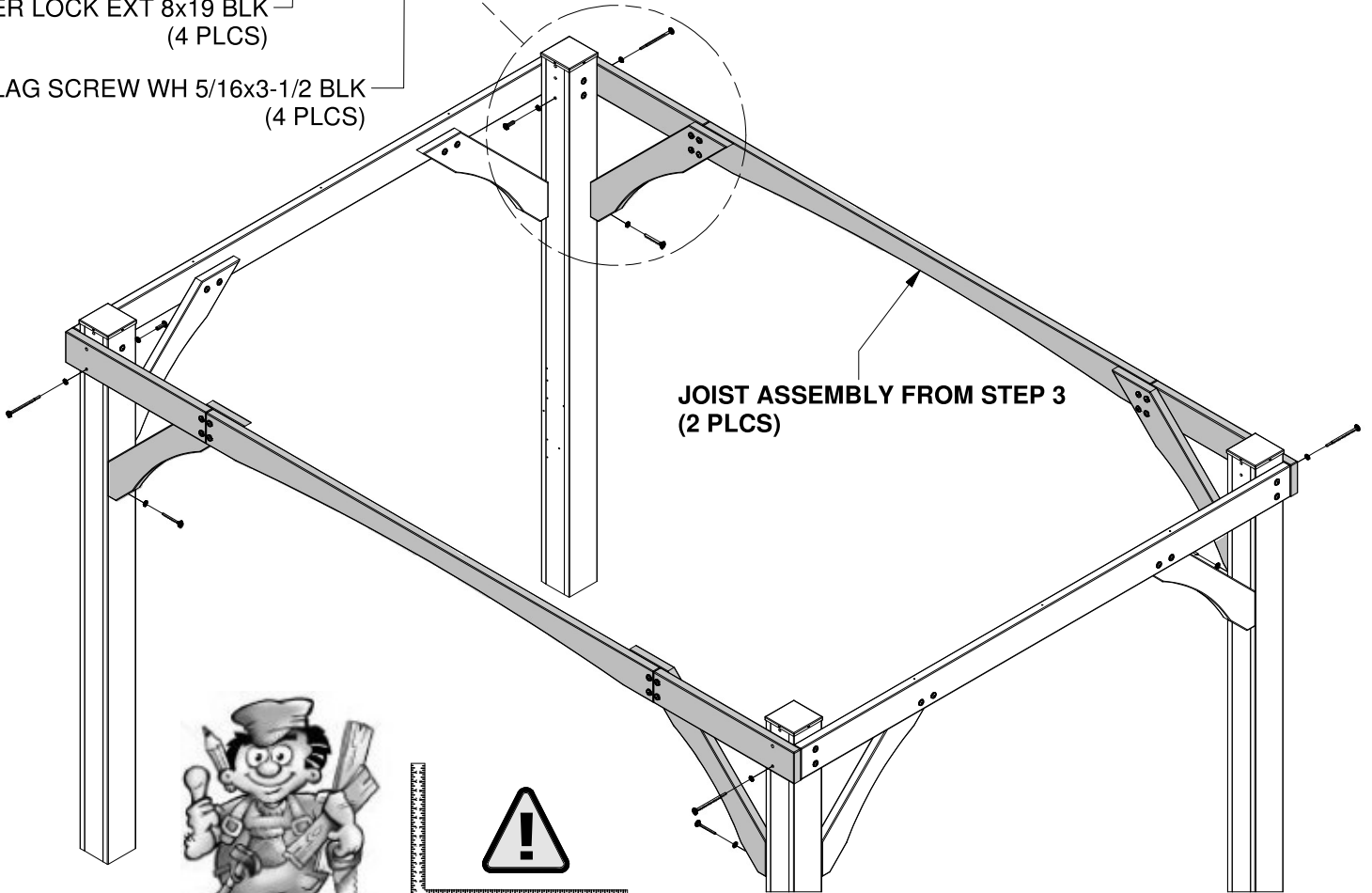
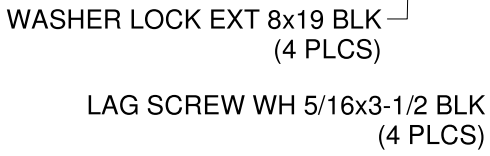
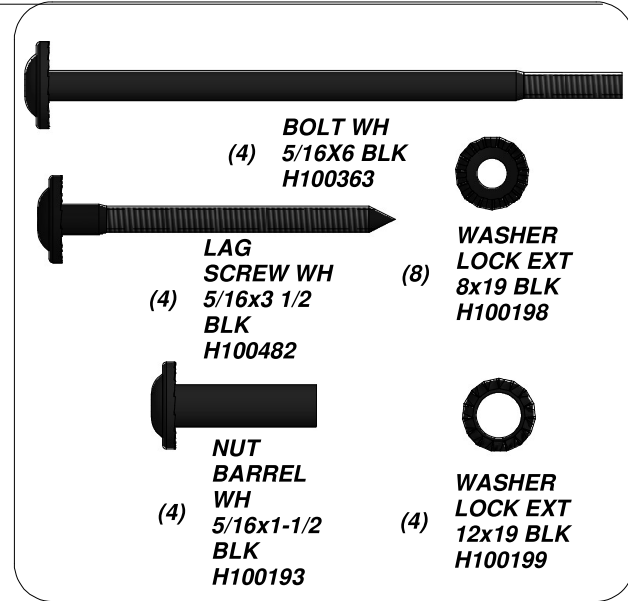
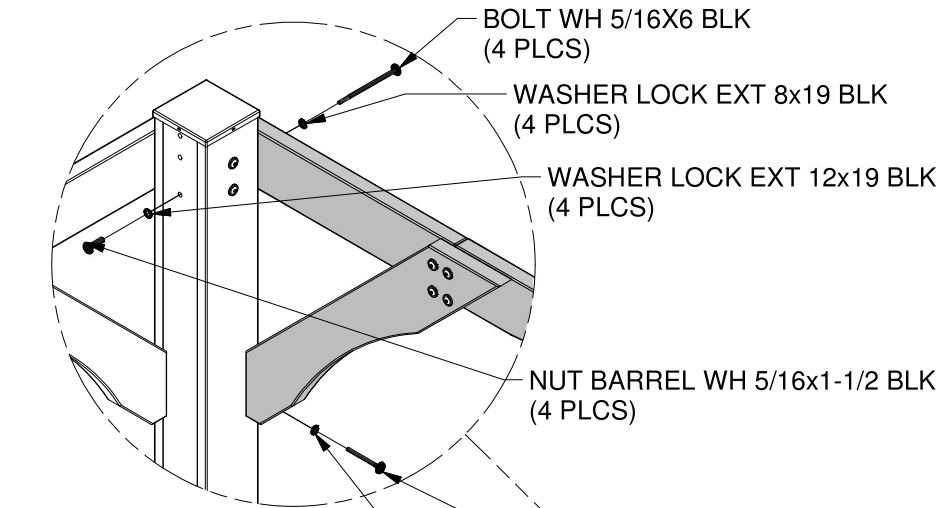
- (4) **BOLT WH 5/16X6 BLK H100363**
- (2) **LAG SCREW WH 5/16x3 1/2 BLK H100482**
- (10) **WASHER LOCK EXT 8x19 BLK H100198**
- (8) **WASHER LOCK EXT 12x19 BLK H100199**
- (4) **NUT BARREL WH 5/16x1-1/2 BLK H100193**
- (4) **NUT BARREL WH 5/16x7/8 BLK H100192**
- (4) **BOLT WH 5/16x2-1/4 BLK H100205**

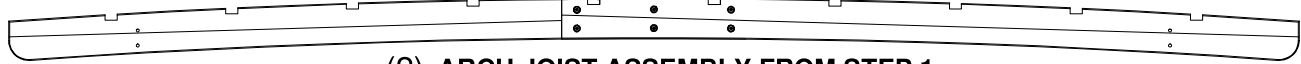




(2) JOIST ASSEMBLY FROM STEP 3

**STEP 6**



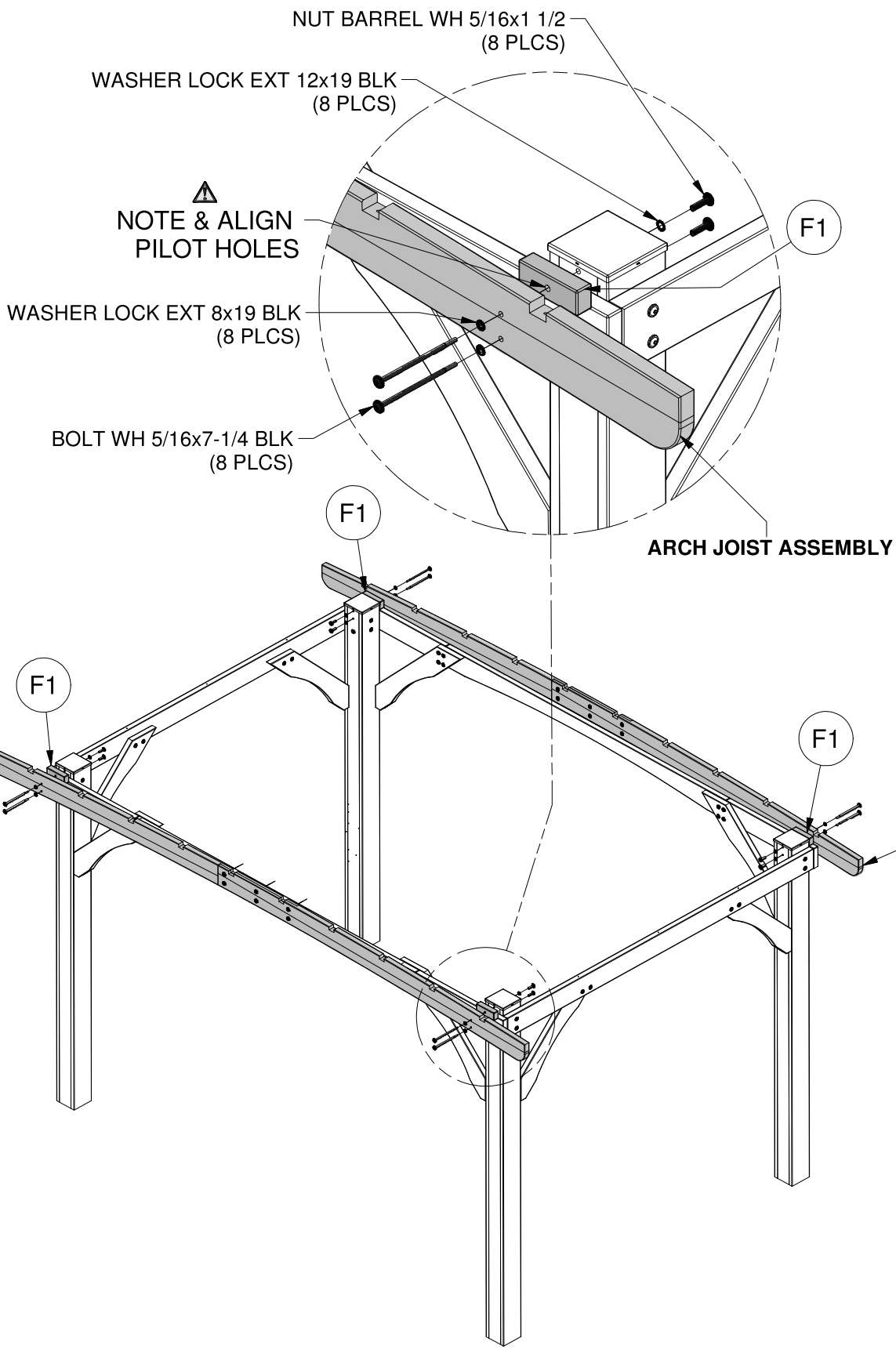


(2) ARCH JOIST ASSEMBLY FROM STEP 1



(4) **F1 - SPACER - W4L11730**  
1 3/8"x2"x5 1/2" (36x50x140)

**STEP 7**

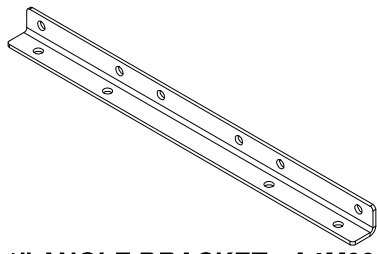


(8) **WASHER LOCK EXT 8x19 BLK H100198**

(8) **WASHER LOCK EXT 12x19 BLK H100199**


(8) **NUT BARREL WH 5/16x1-1/2 BLK H100193**

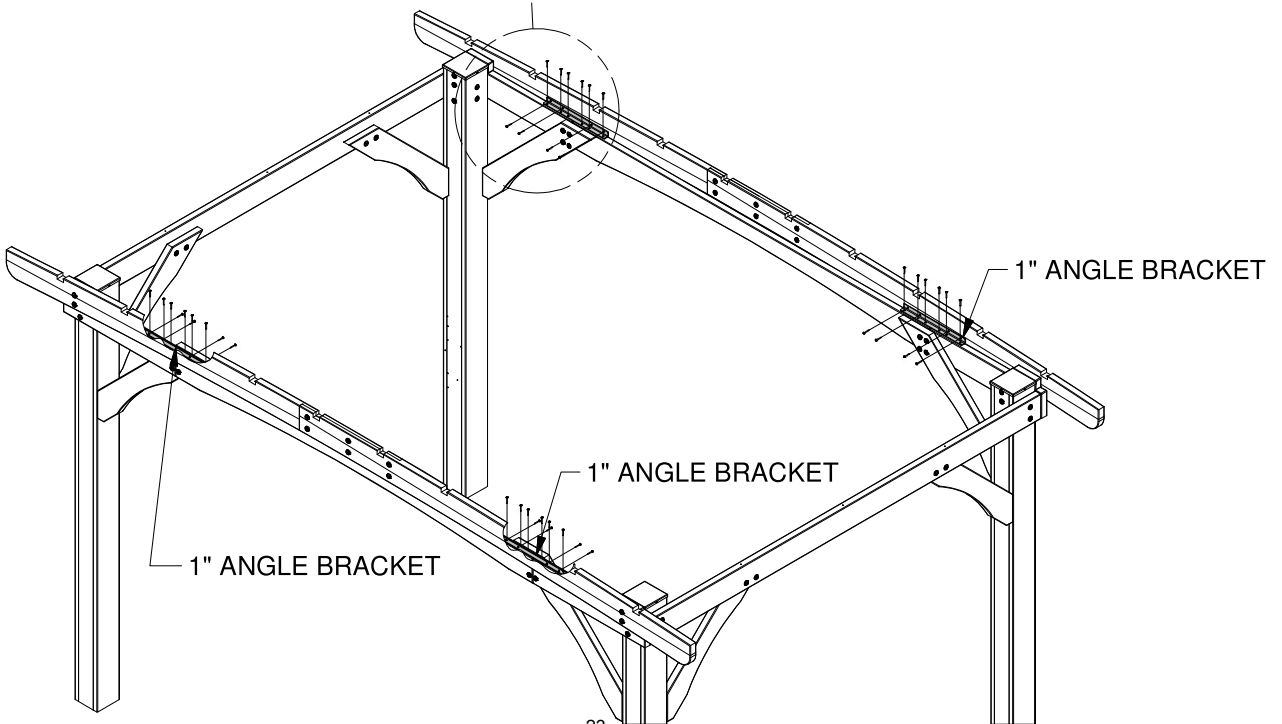
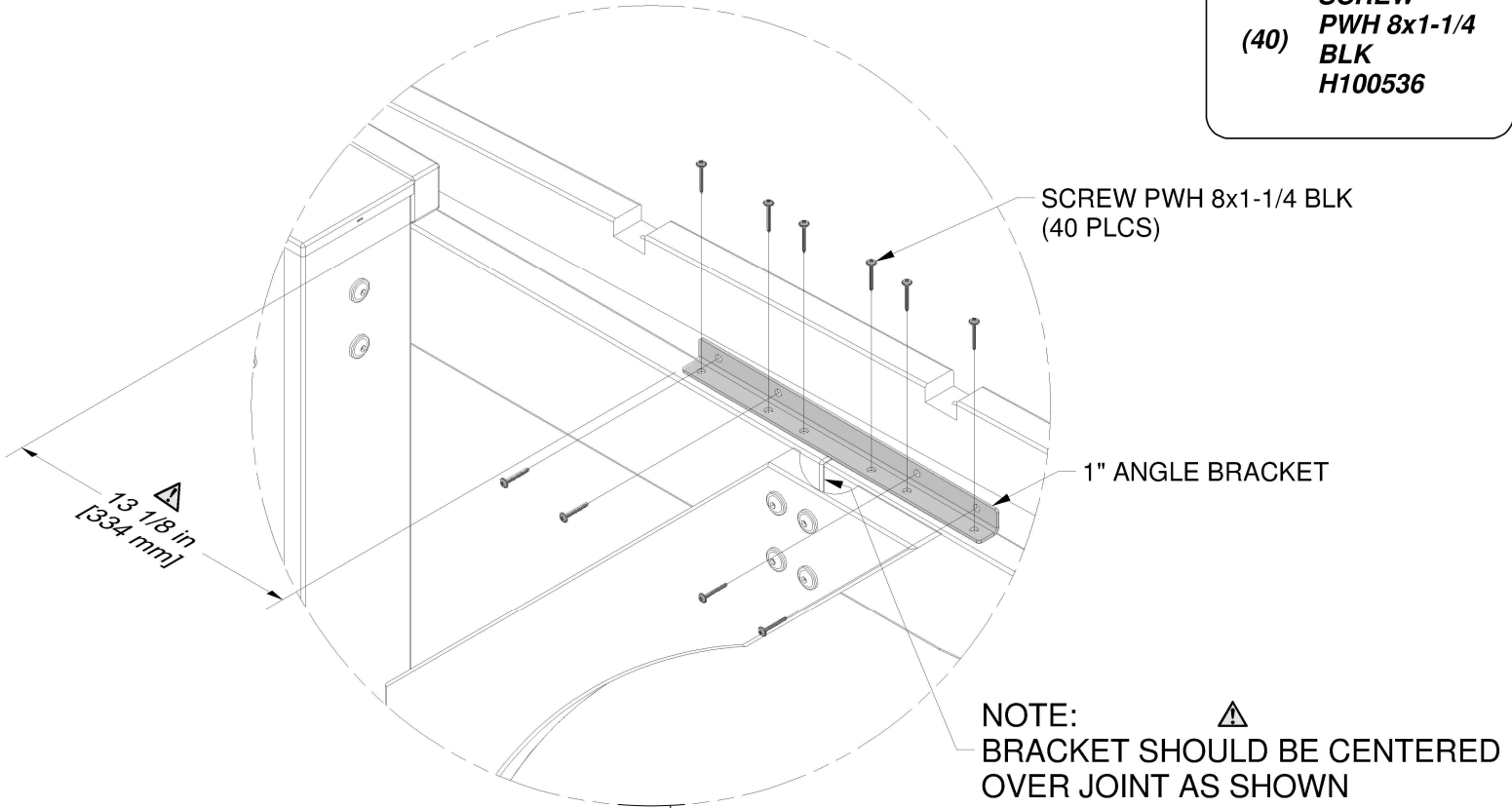
(8) **BOLT WH 5/16x7-1/4 BLK H100196**



(4) - 1" ANGLE BRACKET - A4M00987

**STEP 8**

  
**SCREW**  
**PWH 8x1-1/4**  
**(40)**  
**BLK**  
**H100536**

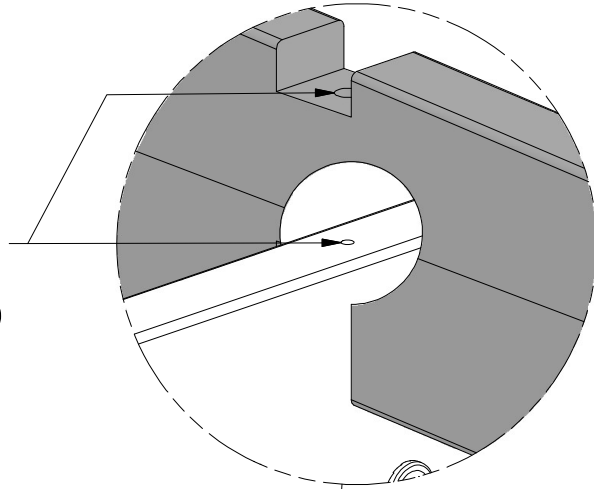




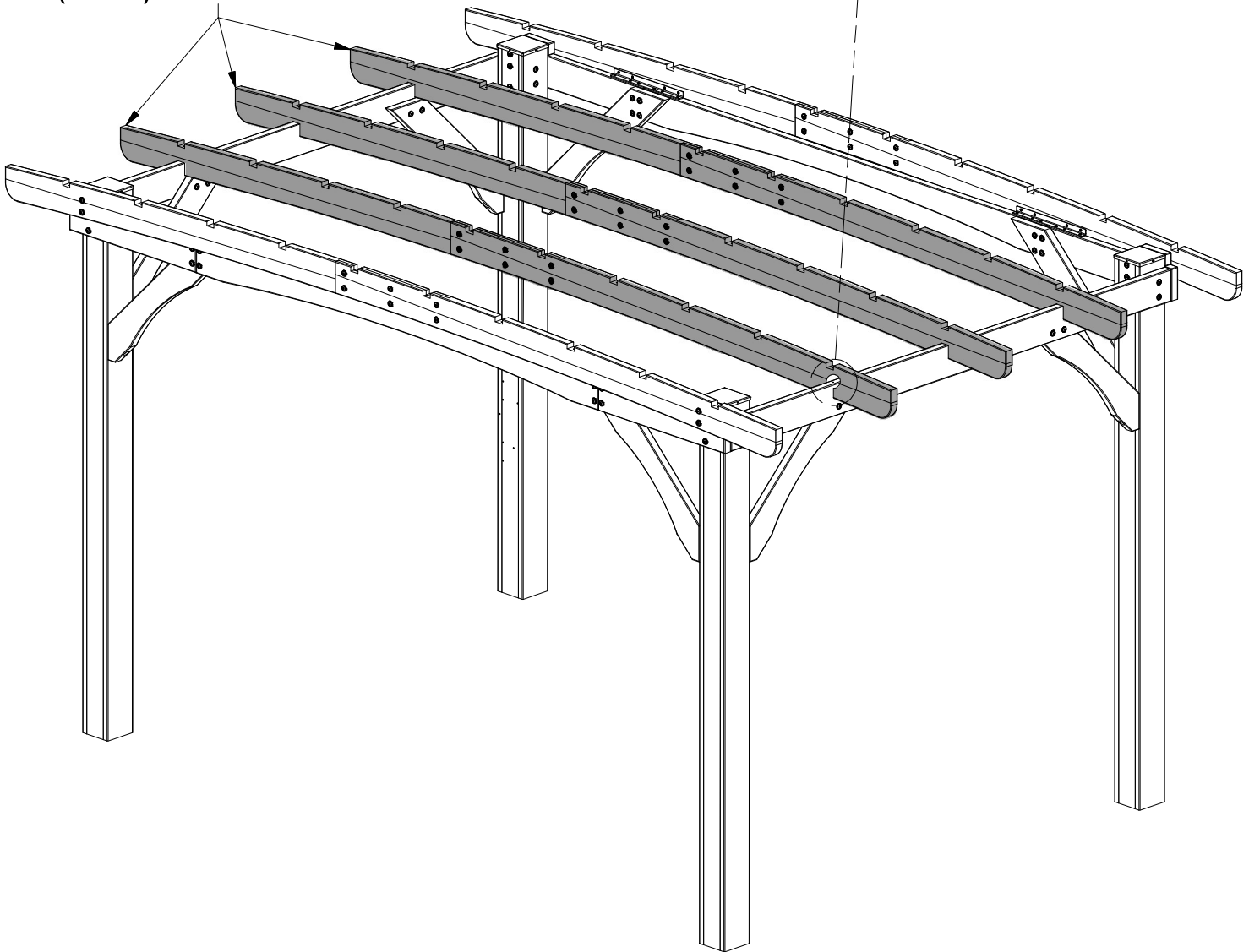
(3) CENTER ARCH JOIST ASSEMBLY FROM STEP 2

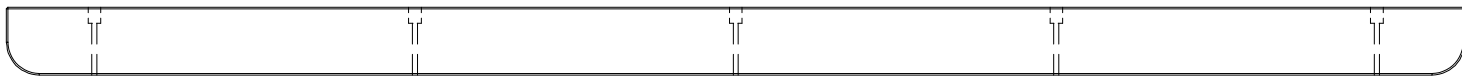
**STEP 9**

⚠  
NOTE PILOT HOLES.  
ALIGN PILOT HOLES AND  
MOVE ON TO STEP 10



**CENTER ARCH JOIST ASSEMBLY  
(3 PLCS)**





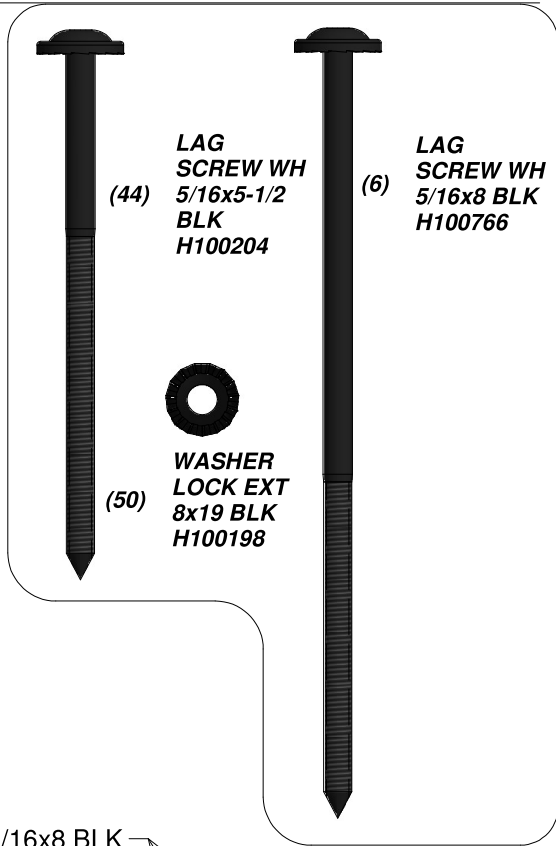
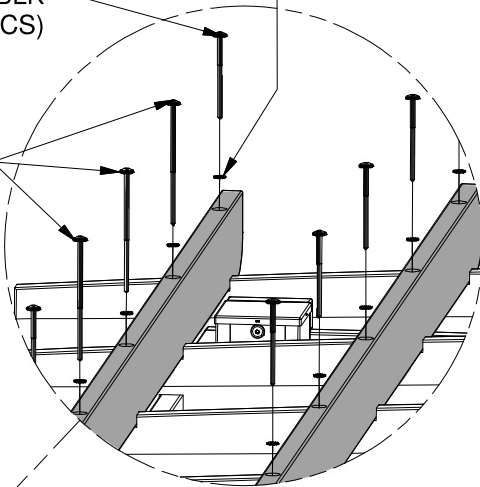
**D1 - JOIST - W4L11729**  
(10) 1 3/8"x5 1/4"x114" (36x134x2895)

**STEP 10**

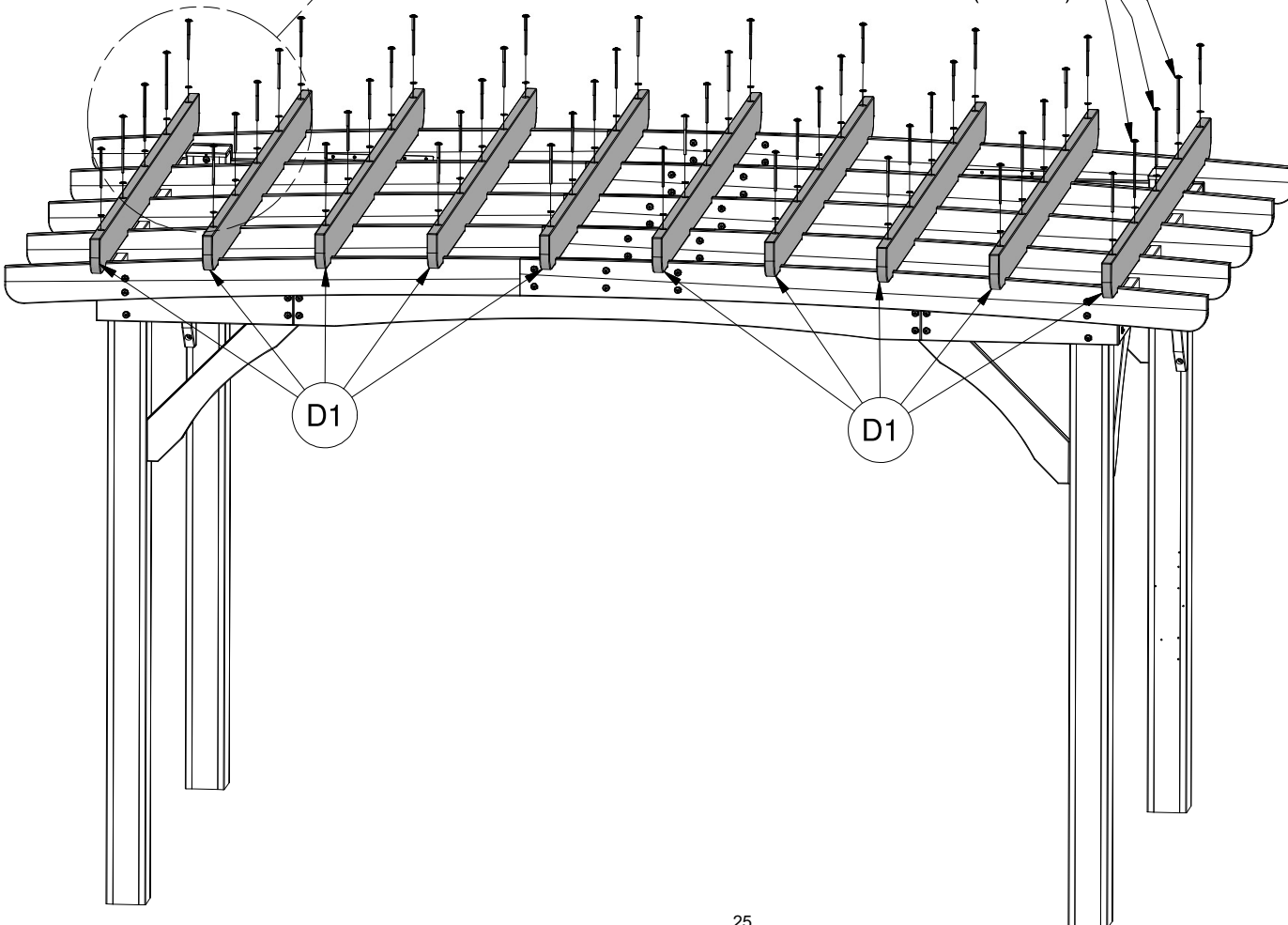
WASHER LOCK EXT 8x19 BLK  
(50 PLCS)

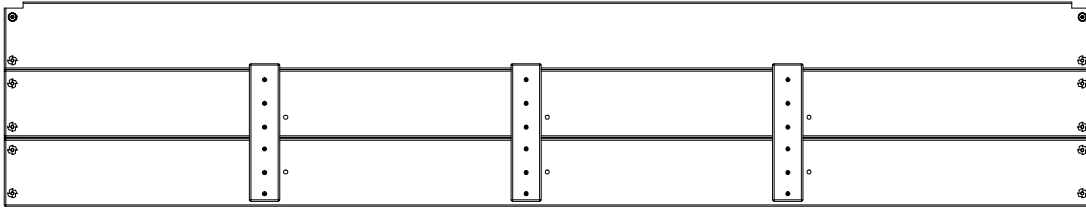
LAG SCREW WH 5/16x5-1/2 BLK  
(44 PLCS)

LAG SCREW WH 5/16x8 BLK  
(3 PLCS)



LAG SCREW WH 5/16x8 BLK  
(3 PLCS)



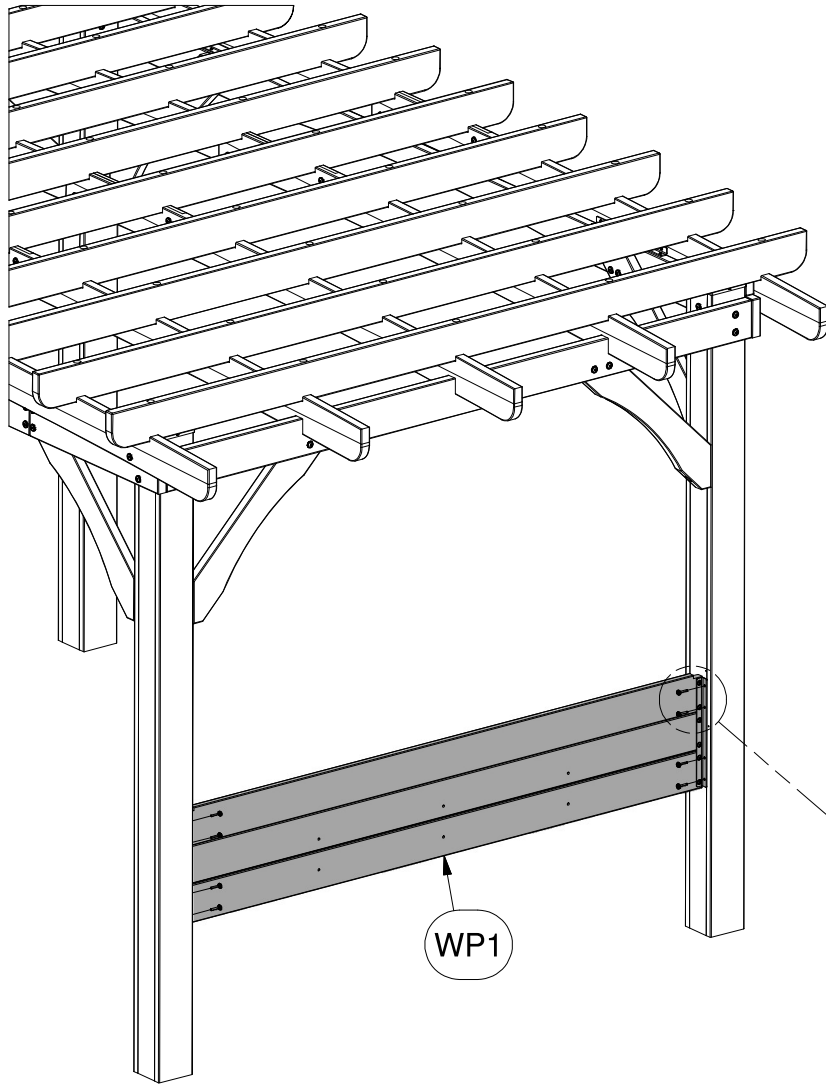


(1) **WP1 - WALL PANEL - W2A02565**  
**2 1/2"x15 15/16"x84 7/8" (65x405x2156)**

**STEP 11**



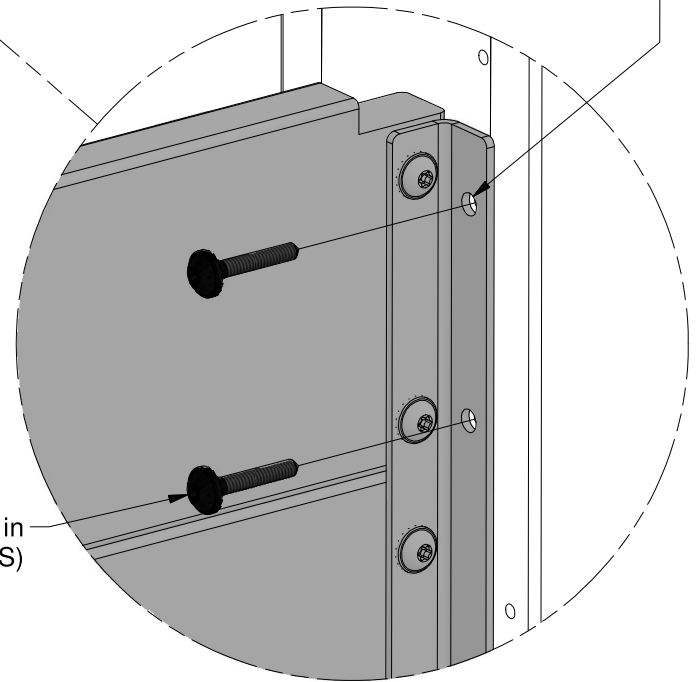
**LAG  
SCREW WH**  
(8) **1/4x1-1/2**  
**BLK**  
**H100403**



LINE UP PILOT HOLES IN PANEL WITH  
PILOT HOLES IN POST AND ATTACH.

WP1

LAG SCREW WH 1/4x1-1/2 in  
(8 PLCS)







(1) **F2 - TABLE BRACE - W4L12246**  
 1 3/8"x2 3/8"x11 7/8" (36x60x303)



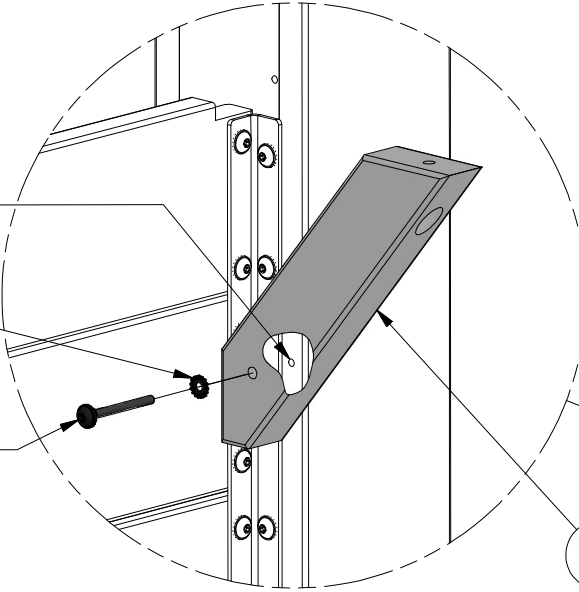
(1) **F4 - TABLE BRACE - W4L12325**  
 1 3/8"x2 3/8"x11 7/8" (36x60x303)

**STEP 12**


 **NOTE PILOT HOLE.**

WASHER LOCK EXT 6x15 BLK  
 (2 PLCS)


LAG SCREW WH 1/4x2-1/2 BLK  
 (2 PLCS)



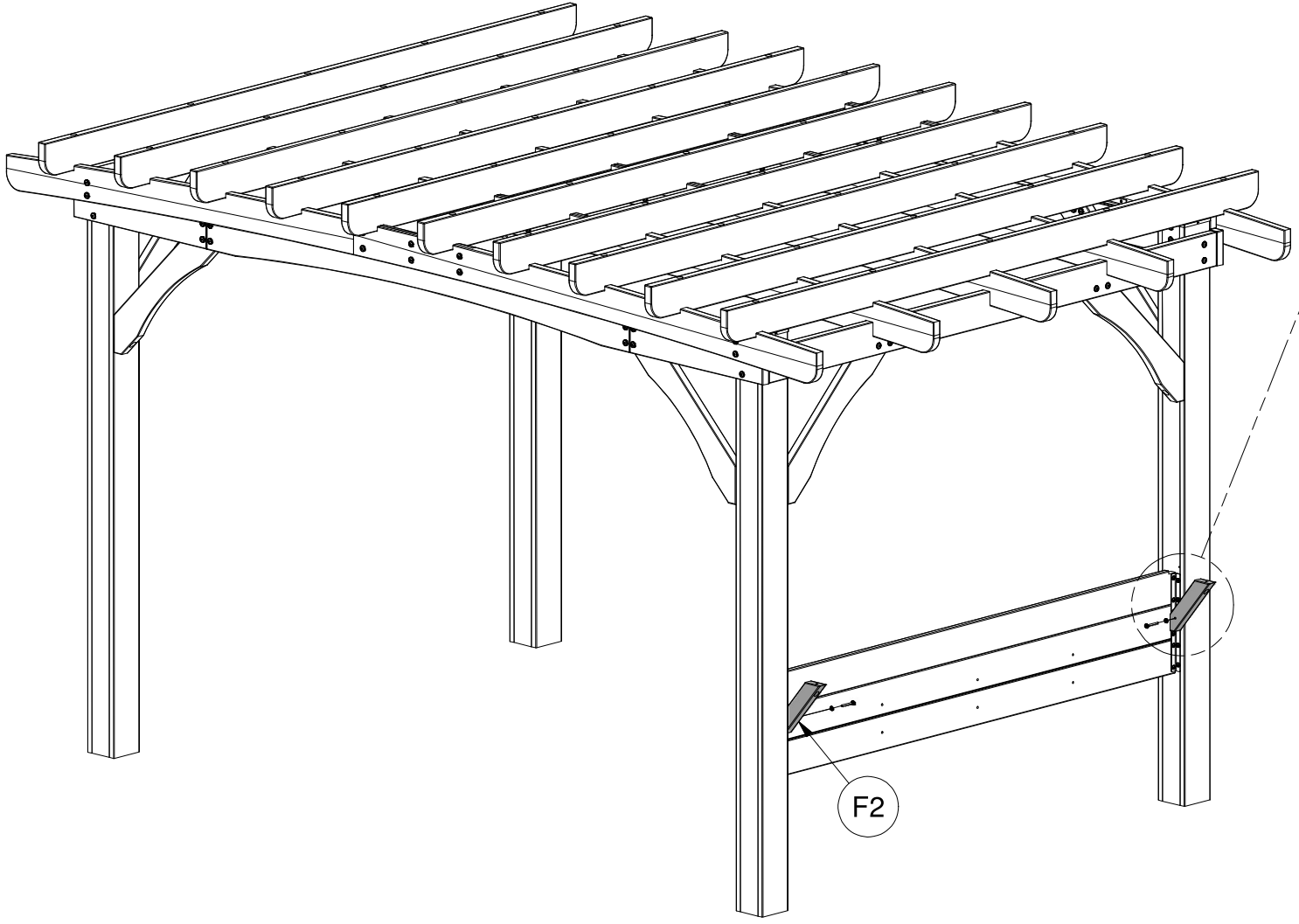
F4



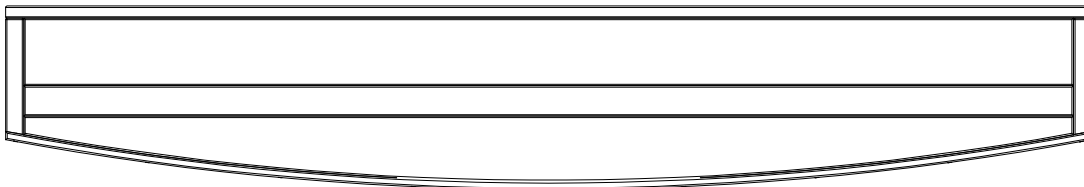
**LAG SCREW WH**  
 (2) 1/4x2-1/2 BLK H100456



**WASHER LOCK EXT**  
 (2) 6x15 BLK H100405

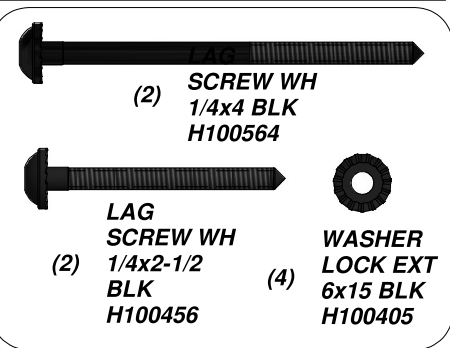


F2



(1) **TT2 - OUTER TABLE TOP ASSEMBLY - W2A02563**  
 2 3/8"x14 5/16"x84 7/8" (60x364x2156)

**STEP 13**

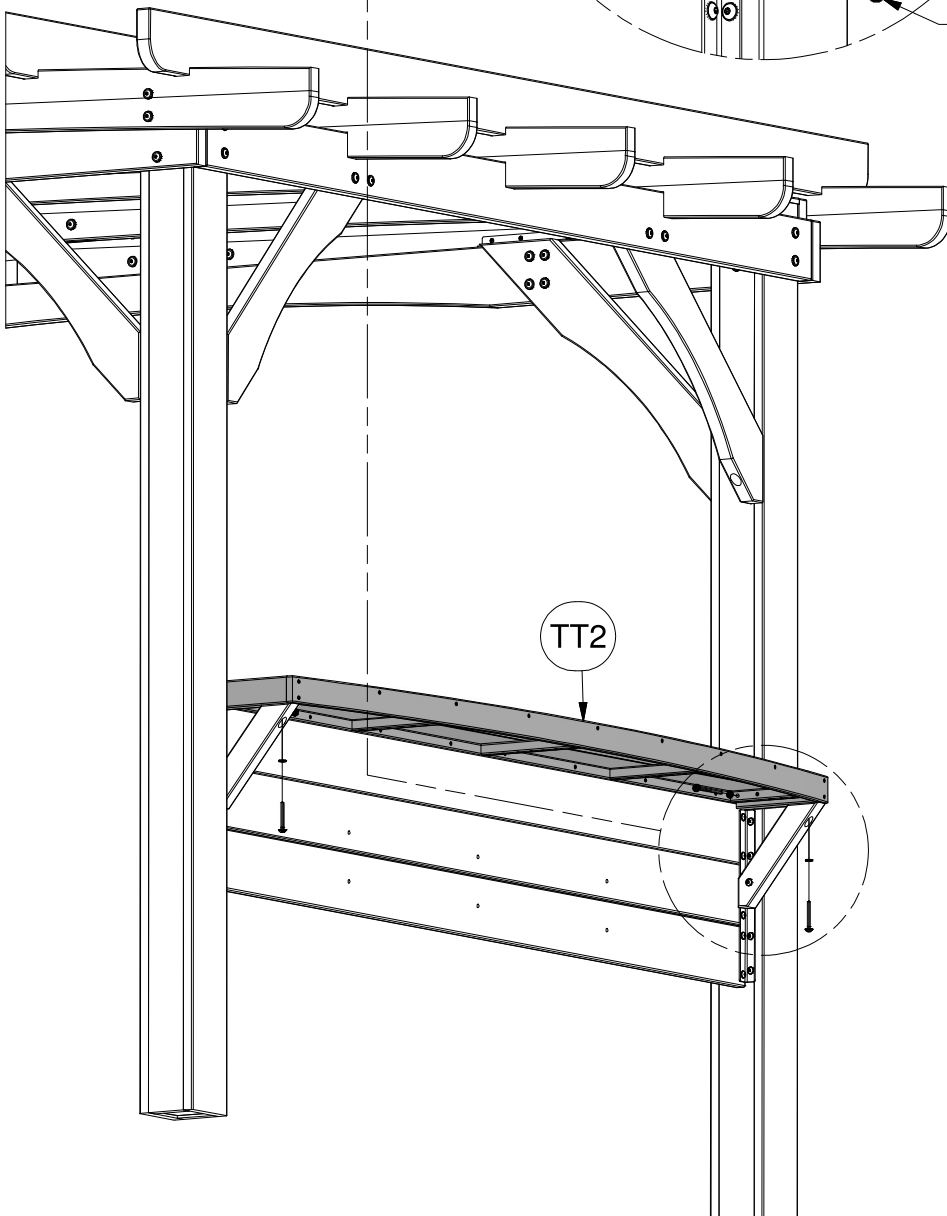
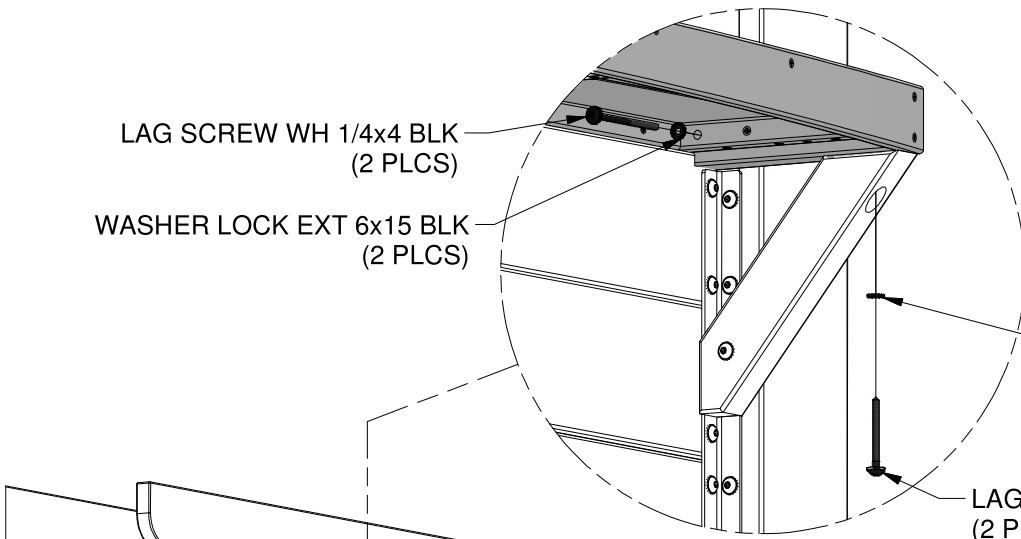


LAG SCREW WH 1/4x4 BLK  
 (2 PLCS)

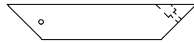
WASHER LOCK EXT 6x15 BLK  
 (2 PLCS)

WASHER LOCK EXT 6x15 BLK  
 (2 PLCS)

LAG SCREW WH 1/4x2-1/2 BLK  
 (2 PLCS)



TT2



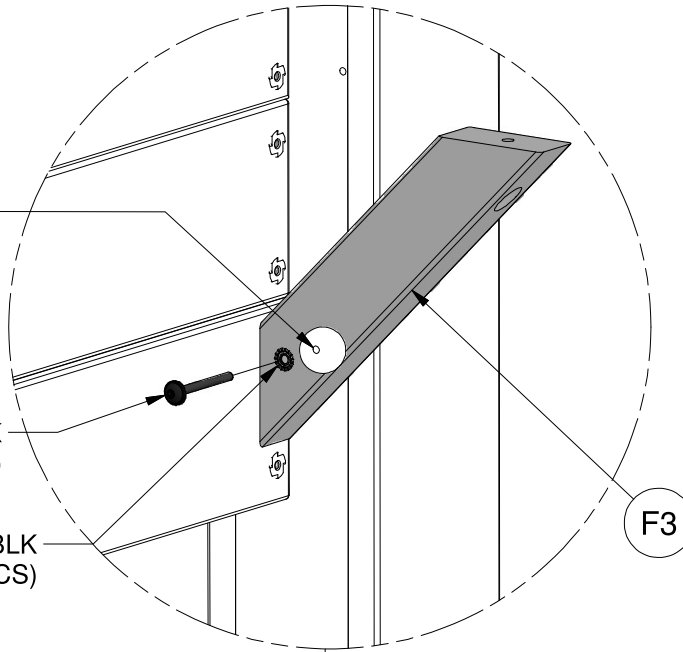
(2) **F3 - TABLE BRACE - W4L12249**  
**1 3/8"x2 3/8"x12 13/16" (36x60x325)**

**STEP 14**

NOTE  PILOT HOLE.

LAG SCREW WH 1/4x2-1/2 BLK  
(2 PLCS)

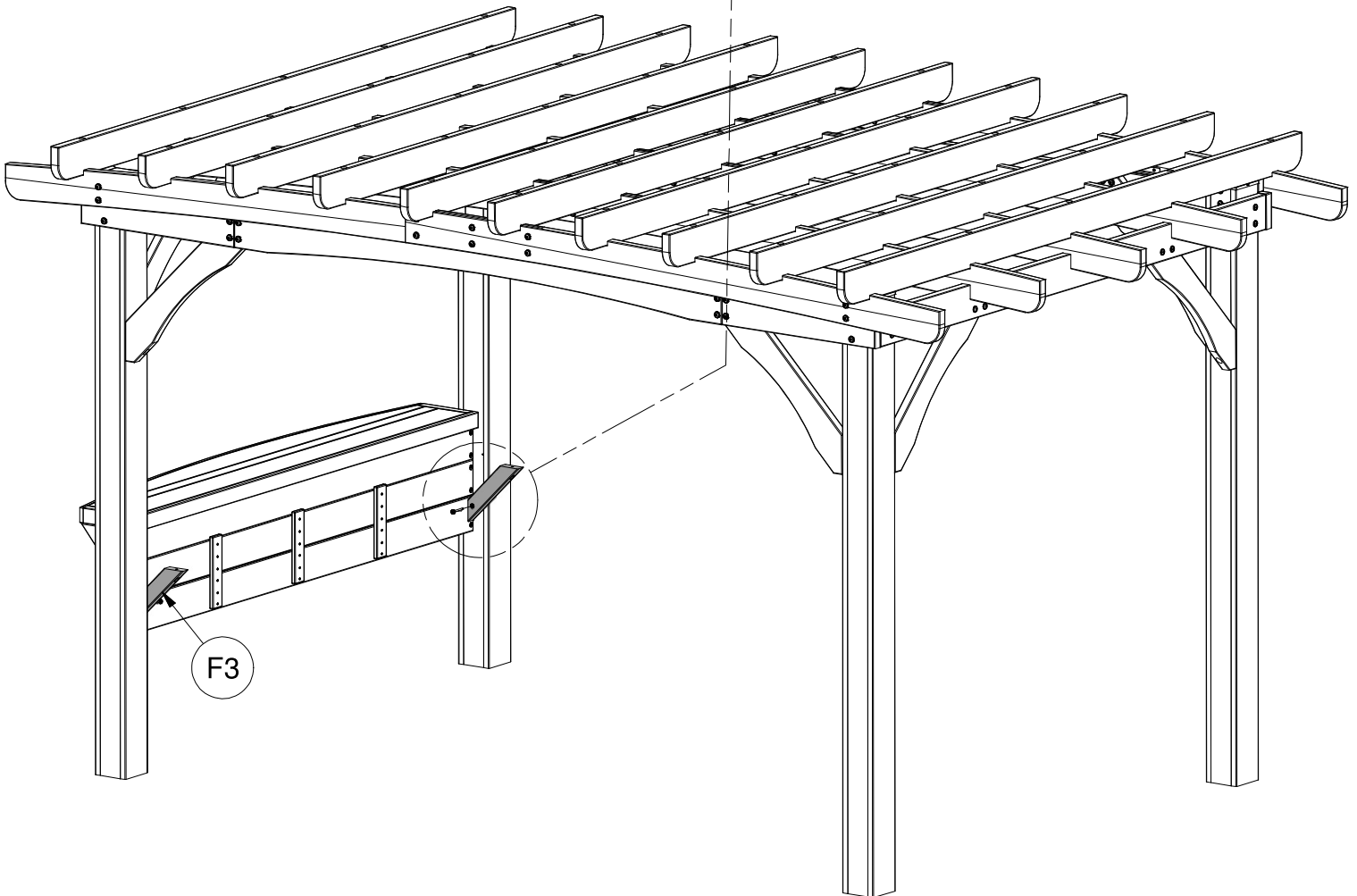
WASHER LOCK EXT 6x15 BLK  
(2 PLCS)

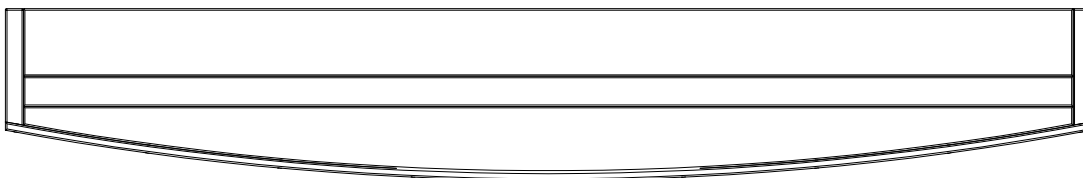


**LAG  
SCREW WH**  
(2) 1/4x2-1/2  
BLK  
H100456



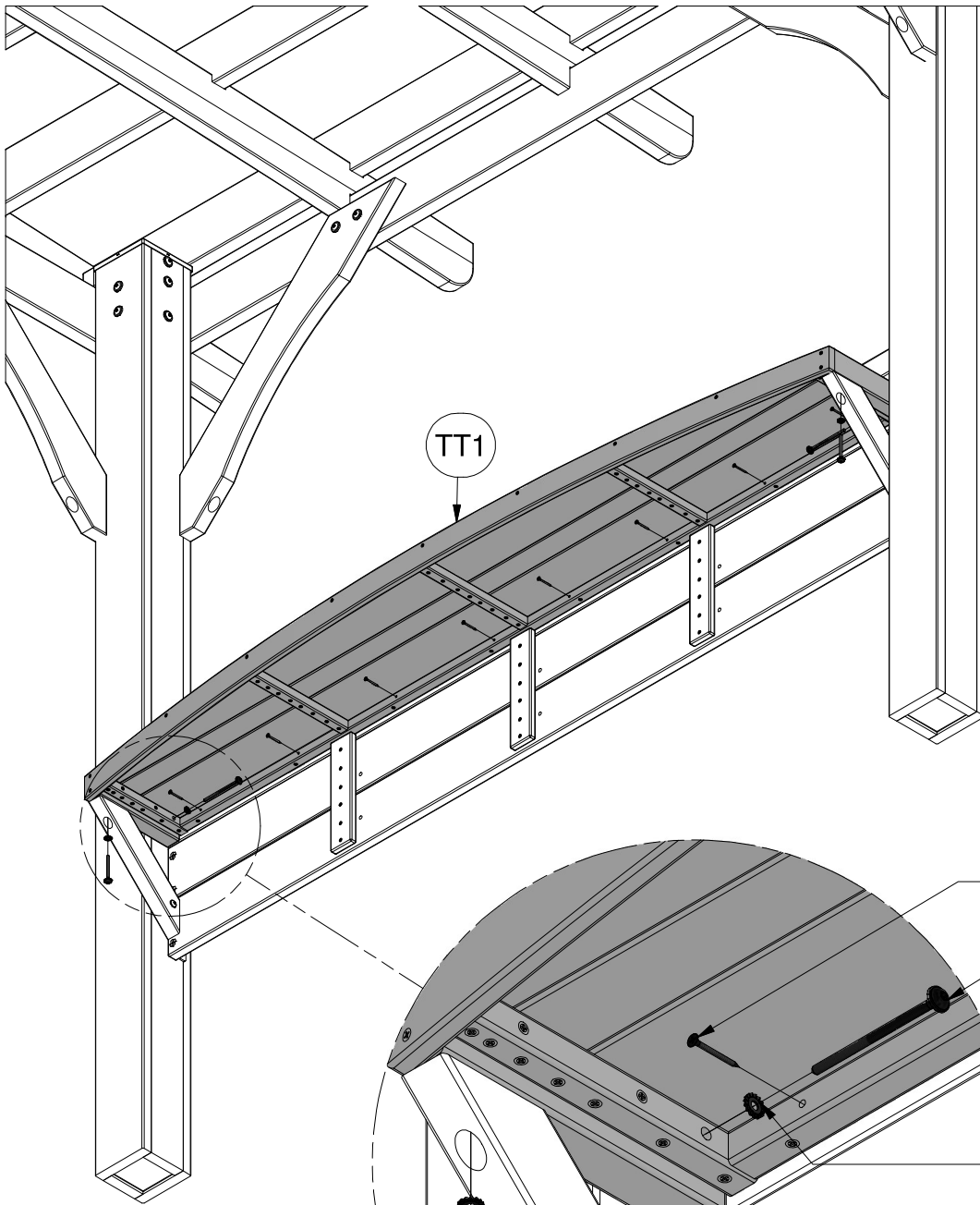
**WASHER  
LOCK EXT**  
(2) 6x15 BLK  
H100405








(1) **TT1 - INSIDE TABLE TOP ASSEMBLY - W2A02564**  
 2 3/8"x13 3/8"x84 7/8" (60x340x2156)


**STEP 15**




  
 (2) **SCREW WH**  
 1/4x4 BLK  
 H100564


  
 (2) **LAG**  
**SCREW WH**  
 1/4x2-1/2  
 BLK  
 H100456


  
 (4) **WASHER**  
**LOCK EXT**  
 6x15 BLK  
 H100405


  
 (8) **SCREW PFH**  
 8X1-1/2 BLK  
 H100200

WASHER LOCK EXT 6x15 BLK  
(2 PLCS)

LAG SCREW WH 1/4x2-1/2 BLK  
(2 PLCS)

SCREW PFH 8X1-1/2 BLK  
(8 PLCS)

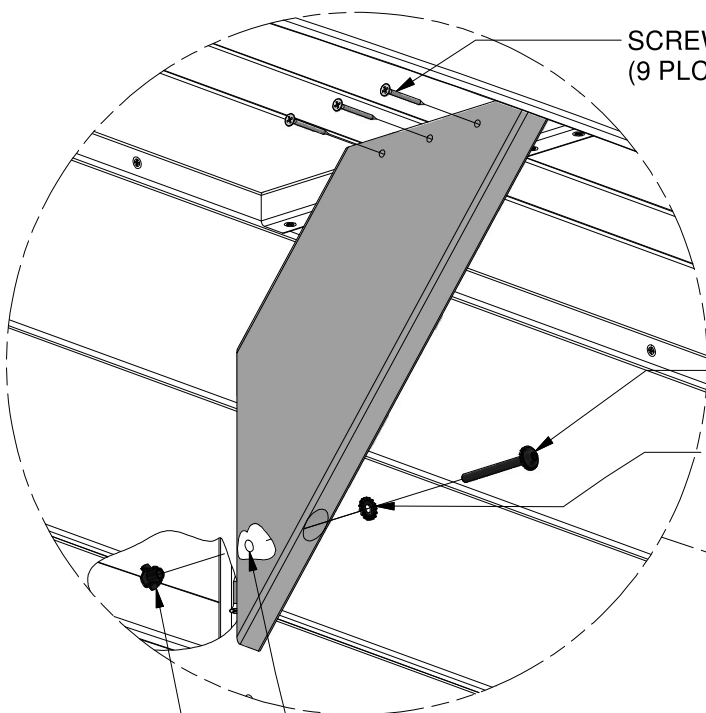
LAG SCREW WH 1/4x4 BLK  
(2 PLCS)

WASHER LOCK EXT 6x15 BLK  
(2 PLCS)



(3) **G1 - TABLE BRACE - W4L12247**  
**1"x5 1/4"x16 5/8" (24x134x423)**

**STEP 16**



SCREW PFH 8X1-1/2 BLK  
 (9 PLCS)

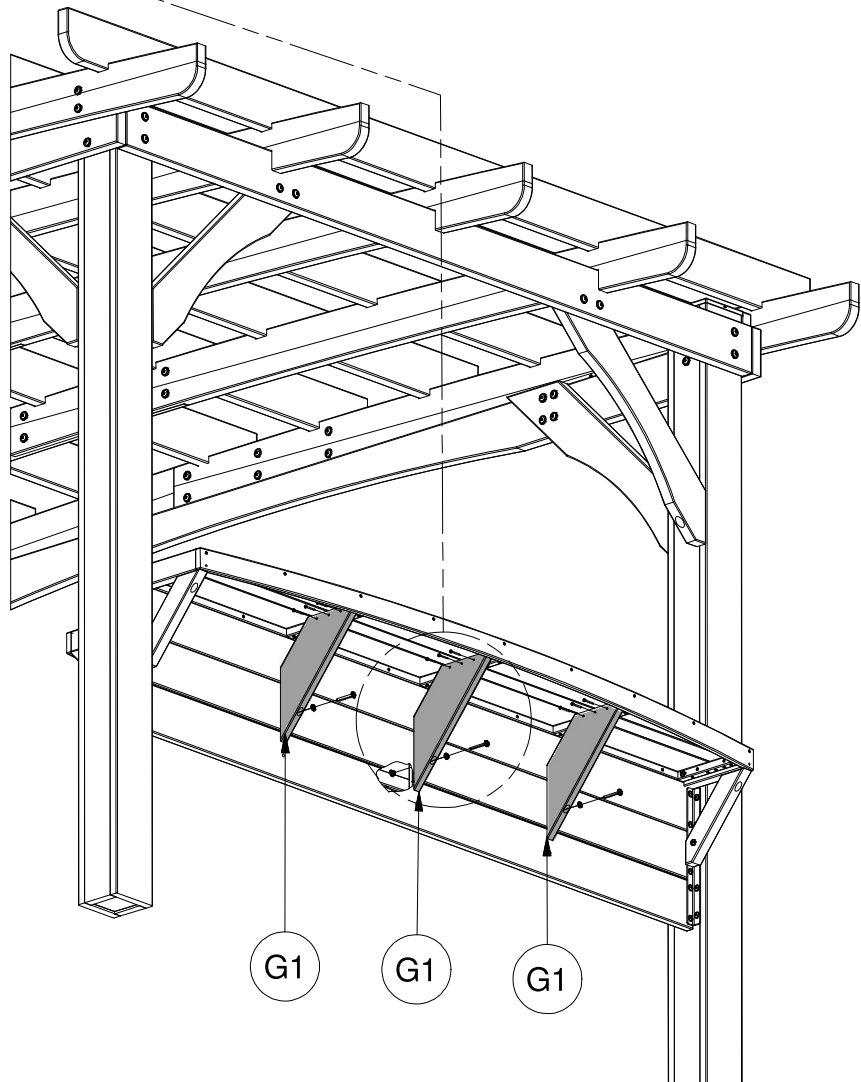
BOLT WH 1/4x2 1/4 BLK  
 (3 PLCS)

WASHER LOCK EXT 6x15 BLK  
 (3 PLCS)

NOTE PILOT HOLE

T-NUT 1/4 BLK  
 (3 PLCS)

<b>BOLT WH</b> 1/4x2-1/4 BLK H100567	<b>WASHER</b> LOCK EXT 6x15 BLK H100405
(3)	(3)
<b>SCREW PFH</b> 8X1-1/2 BLK H100200	<b>T-NUT 1/4</b> BLK H100398
(9)	(3)



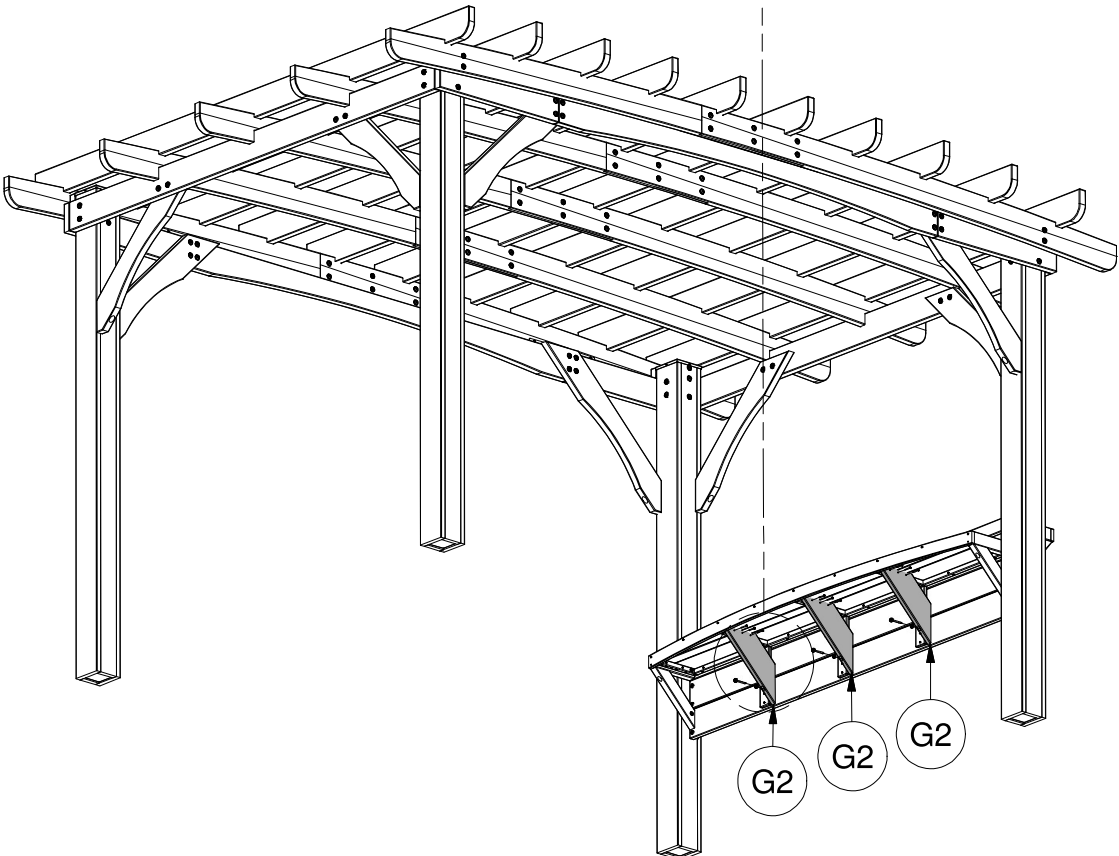
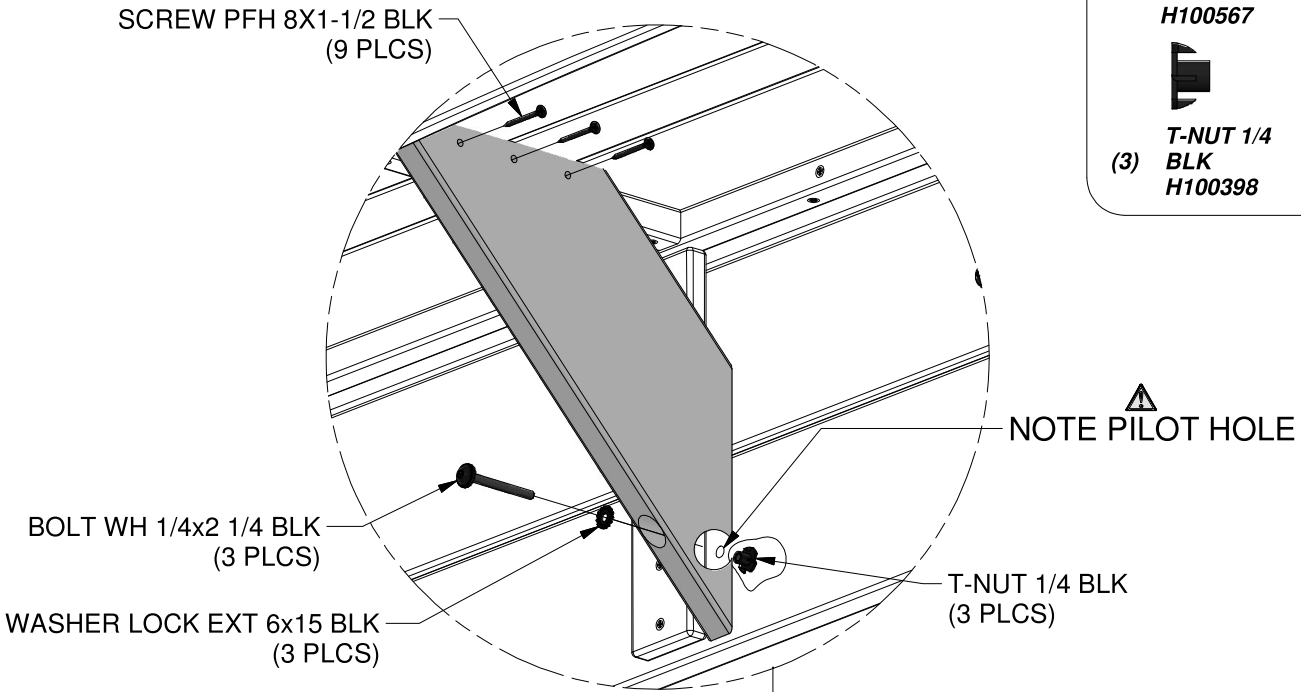
G1 G1 G1

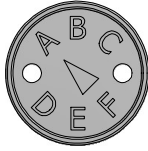


(3) **G2 - TABLE BRACE - W4L12248**  
1"x5 1/4"x16 5/8" (24x134x423)

**STEP 17**

(3) <b>BOLT WH</b> 1/4x2-1/4 BLK H100567	(3) <b>WASHER</b> LOCK EXT 6x15 BLK H100405
(3) <b>T-NUT 1/4</b> BLK H100398	(9) <b>SCREW PFH</b> 8X1-1/2 BLK H100200





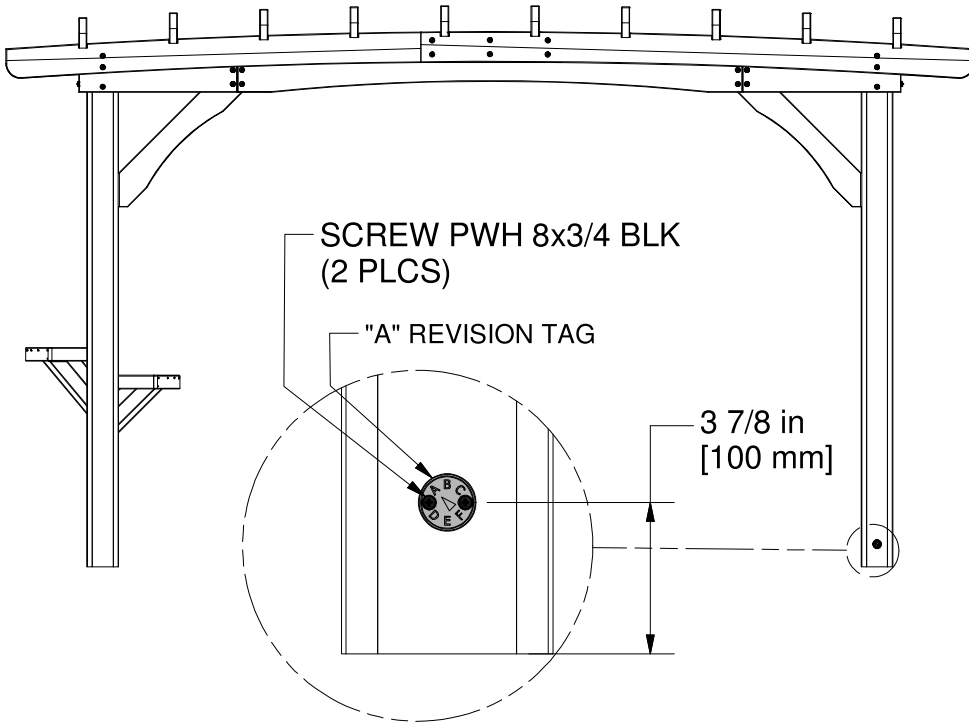
(1) - "A" REVISION TAG - A100314

(1) - BYD ID TAG (SMALL) WITHOUT AGES - A100241

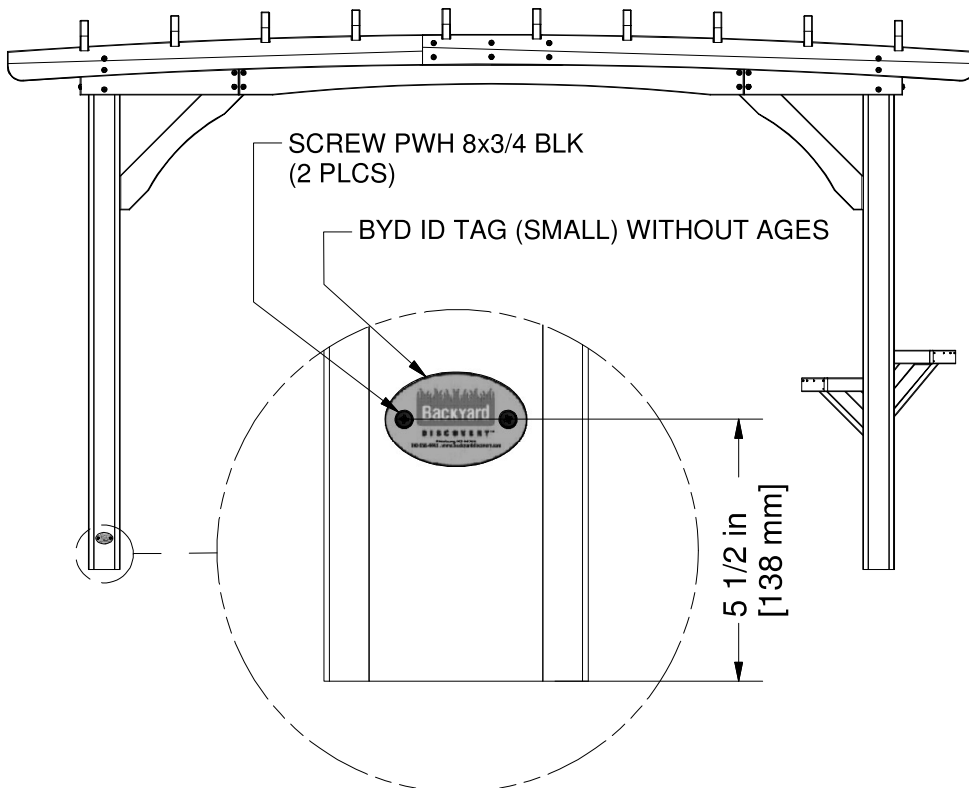
**STEP 18**

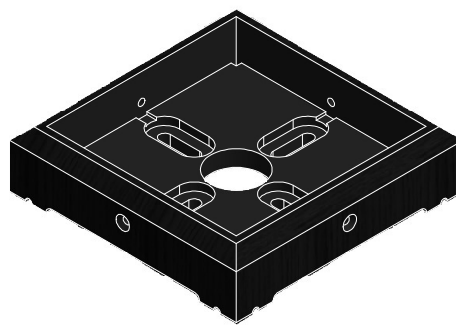
  
**SCREW**  
**PWH 8x3/4**  
**BLK**  
**H100392**  
(4)

**LEFT SIDE**



**RIGHT SIDE**



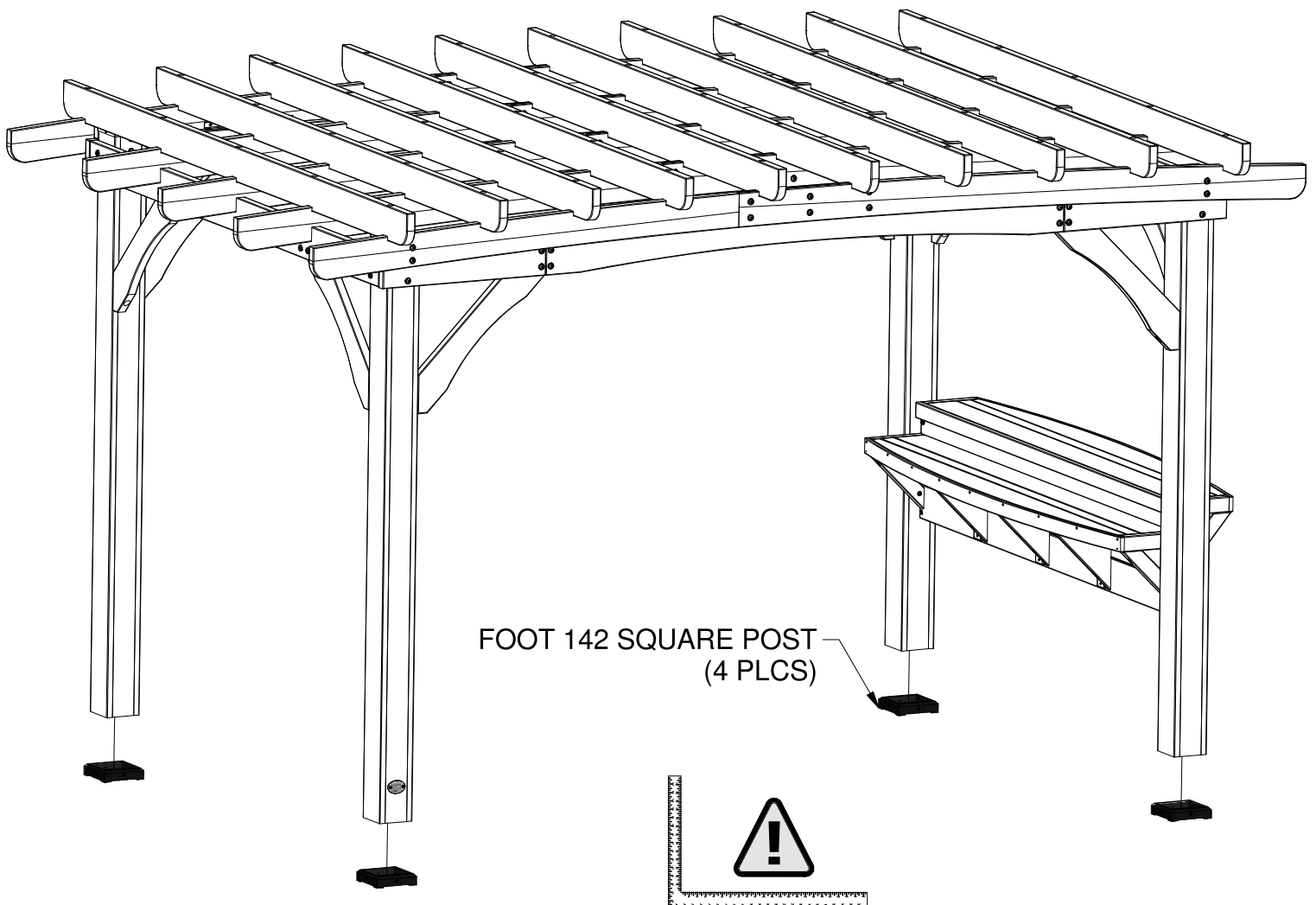


(4) HT - FOOT 142 SQUARE POST - A100029

**STEP 19**

**DECIDE WHERE TO PLACE THE PERGOLA. NOTE THIS MOUNTING PROCEDURE IS MEANT TO BE USED ON CONCRETE ONLY.**

**PLACE THE PERGOLA EXACTLY WHERE IT WILL BE ANCHORED WHEN COMPLETED AND SLIDE A FOOT UNDER EACH POST.**



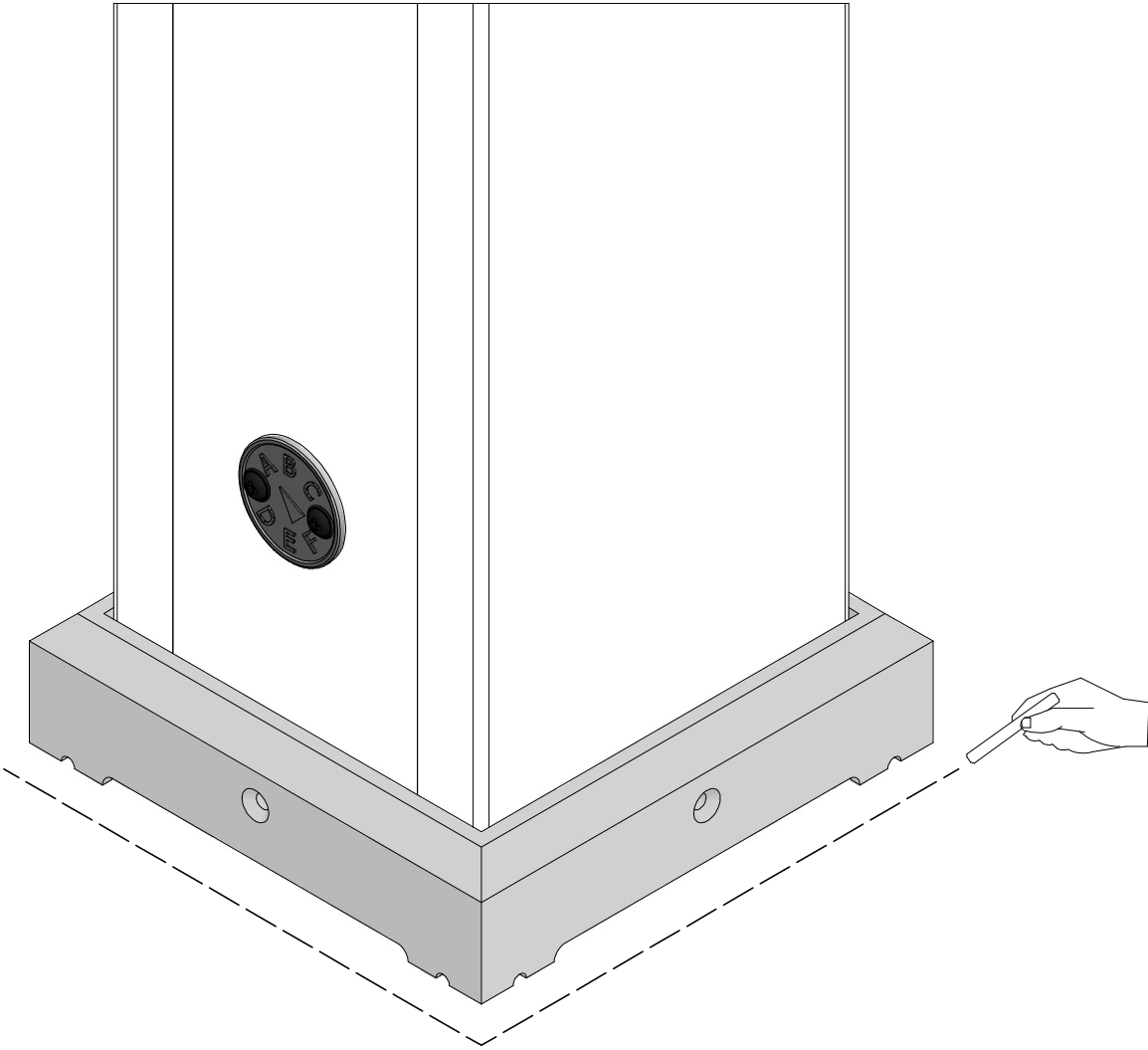
FOOT 142 SQUARE POST  
(4 PLCS)

**SQUARE POSTS AND TIGHTEN  
ALL BOLTS AND SCREWS AT  
THIS TIME.**



**STEP 20**

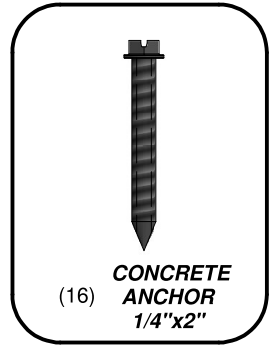
**USE CHALK TO TRACE AROUND THE EDGES OF EACH FOOT.**



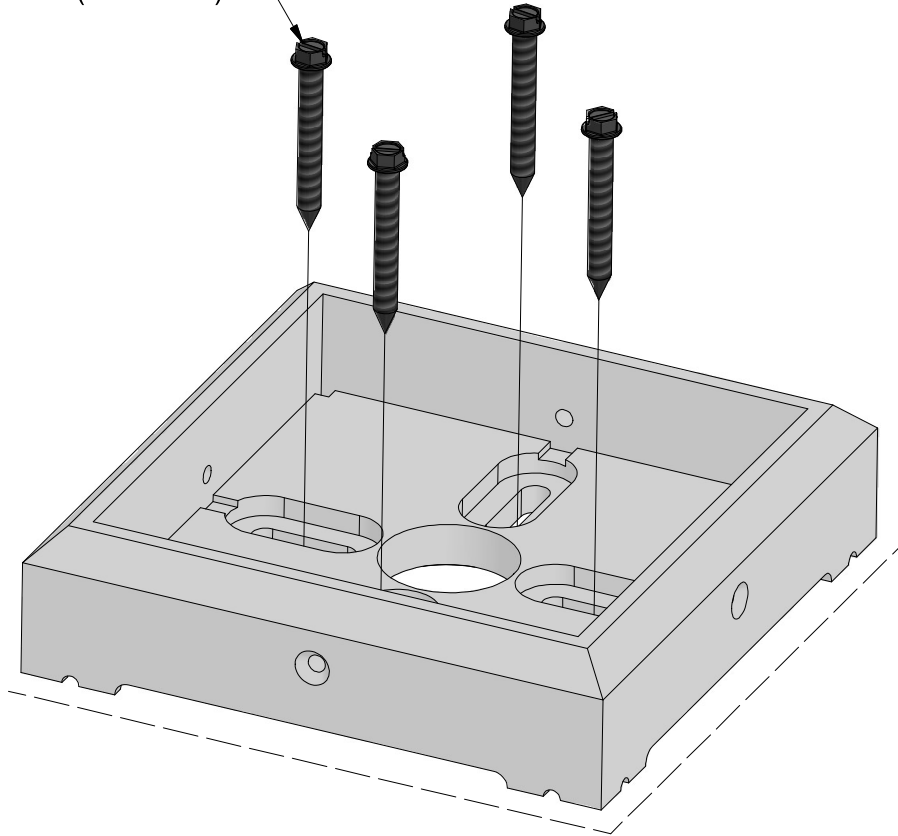
**STEP 21**

**MOVE THE PERGOLA ASIDE. PLACE EACH FOOT INSIDE OF THE LINES DRAWN IN THE PREVIOUS STEP. USING A 3/16" CONCRETE DRILL BIT, PILOT DRILL ATTACHMENT HOLES INTO THE CONCRETE PAD.**

**NEXT, USE THE 1/4"x2" CONCRETE ANCHORS TO ATTACH EACH FOOT TO THE CONCRETE SURFACE.**




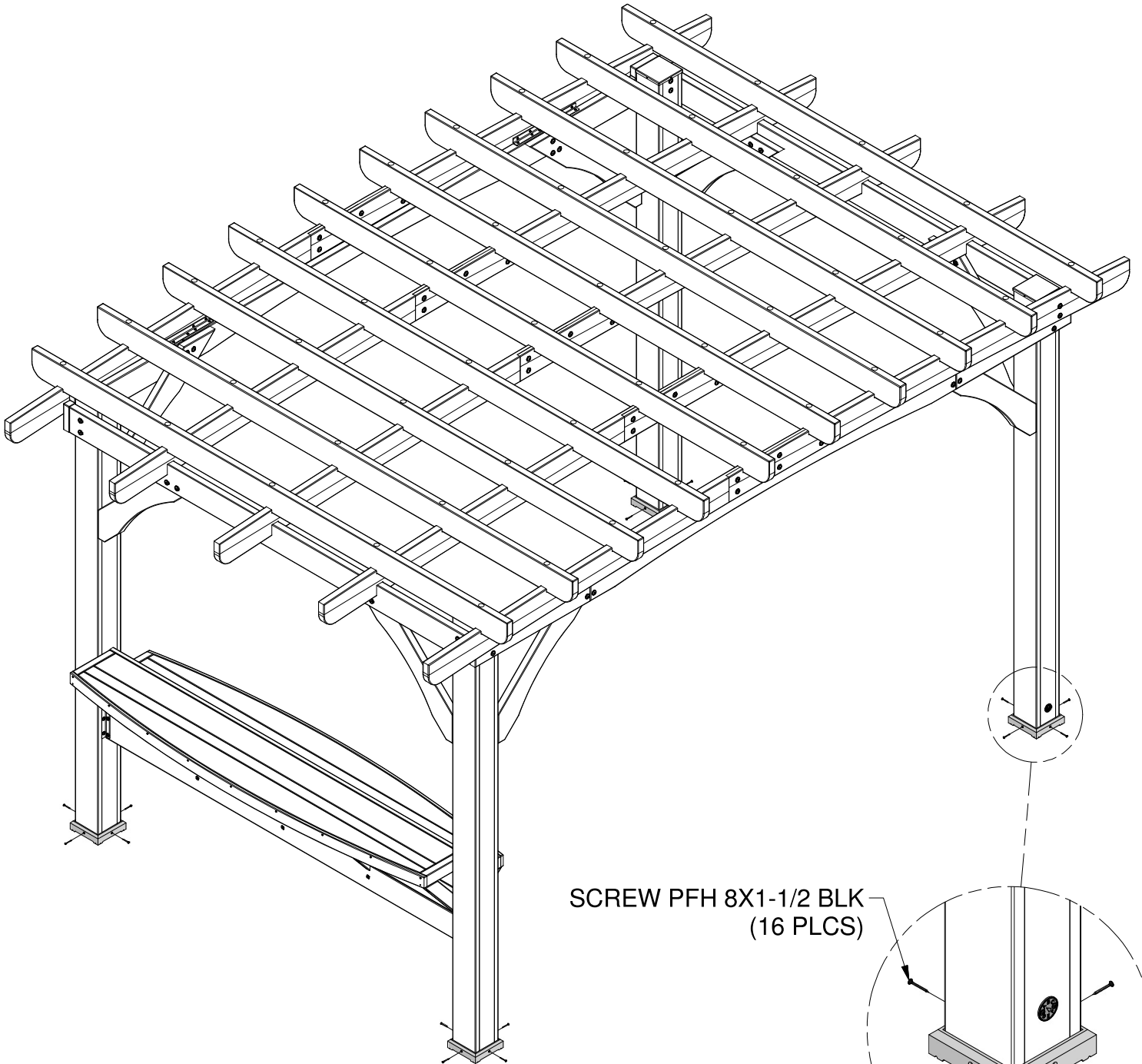
CONCRETE ANCHOR 1/4"x2"  
(16 PLCS)

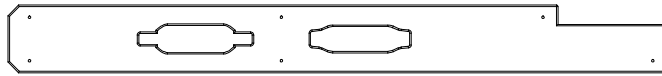


**STEP 22**

**MOVE THE PERGOLA BACK IN TO PLACE, SETTING EACH POST INSIDE A FOOT AND MOUNT.**

  
**SCREW PFH**  
**(16) 8X1-1/2 BLK**  
**H100200**






(1) **D7 - CORD COVER - W4L12268**  
**1"x5 1/4"x51 5/8" (24x134x1310)**

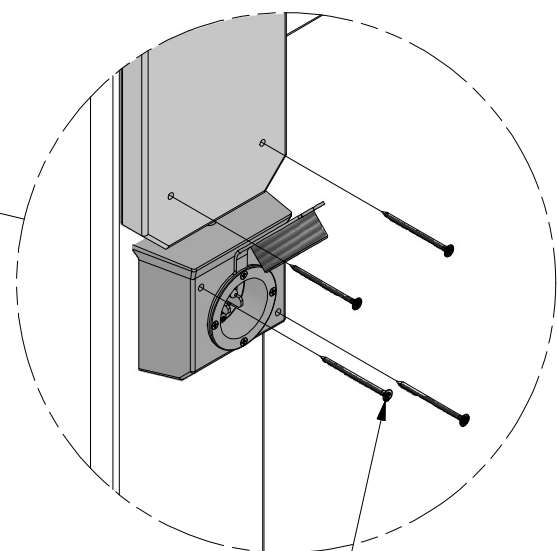
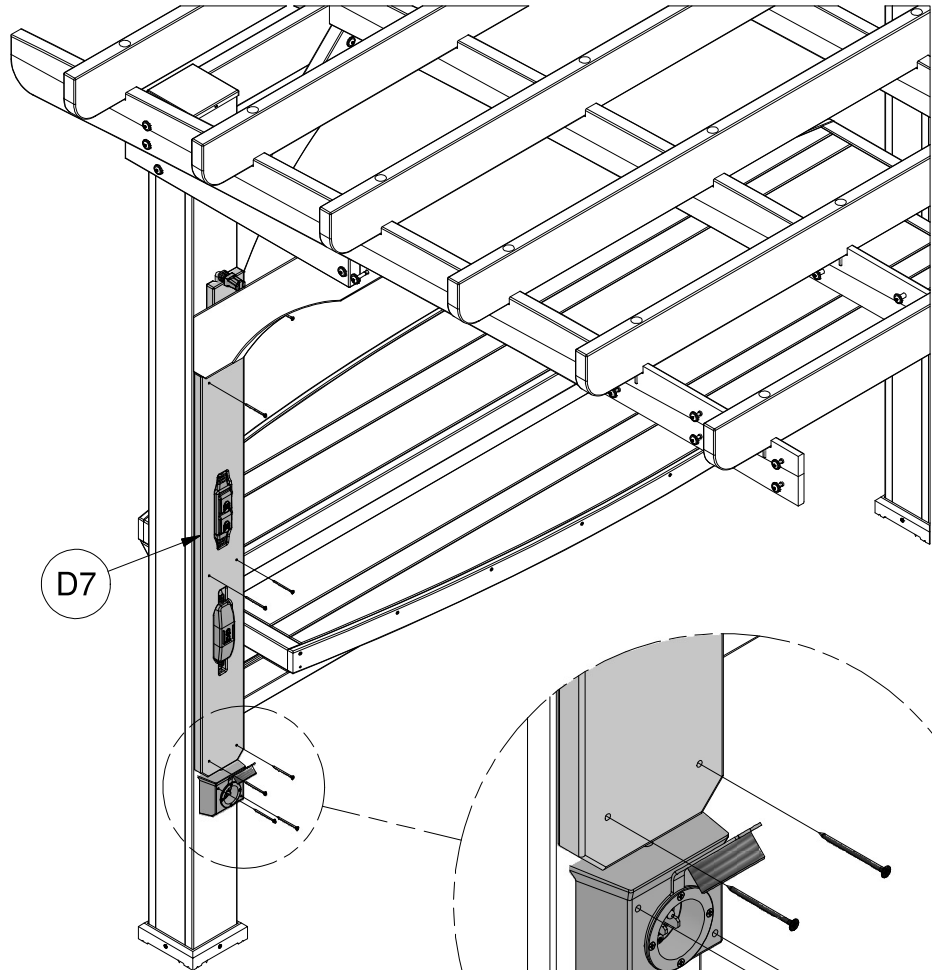
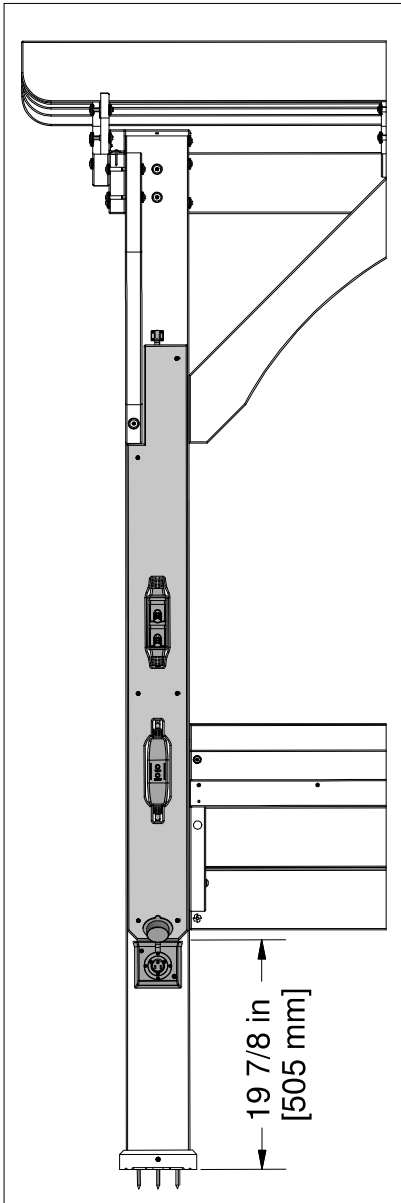
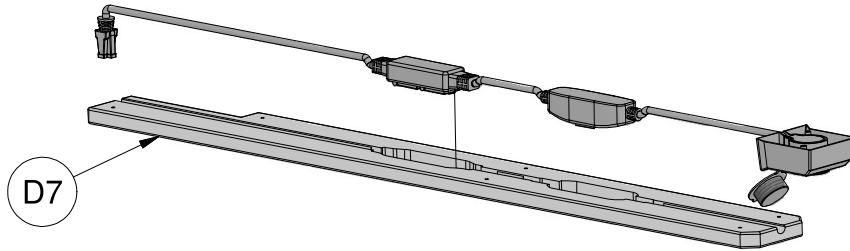


(1) **PERGOLA ELECTRICAL KIT - A6P00265**

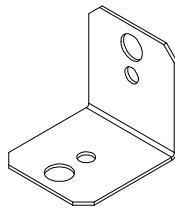
### STEP 23

PRESS THE ELECTRICAL CORD ASSEMBLY INTO THE CUT OUTS ON THE **D7** CORD COVER, AS SHOWN.

  
**SCREW PFH**  
**(8) 8X2-1/2 BLK**  
**H100201**



**SCREW PFH 8X2-1/2 BLK**  
**(8 PLCS)**



(2) - 90° L-BRACKET - BLK - A4M00555

**STEP 24**

PLACE L-BRACKETS NEXT TO THE CENTER BOLT AND MOUNT AS SHOWN.

