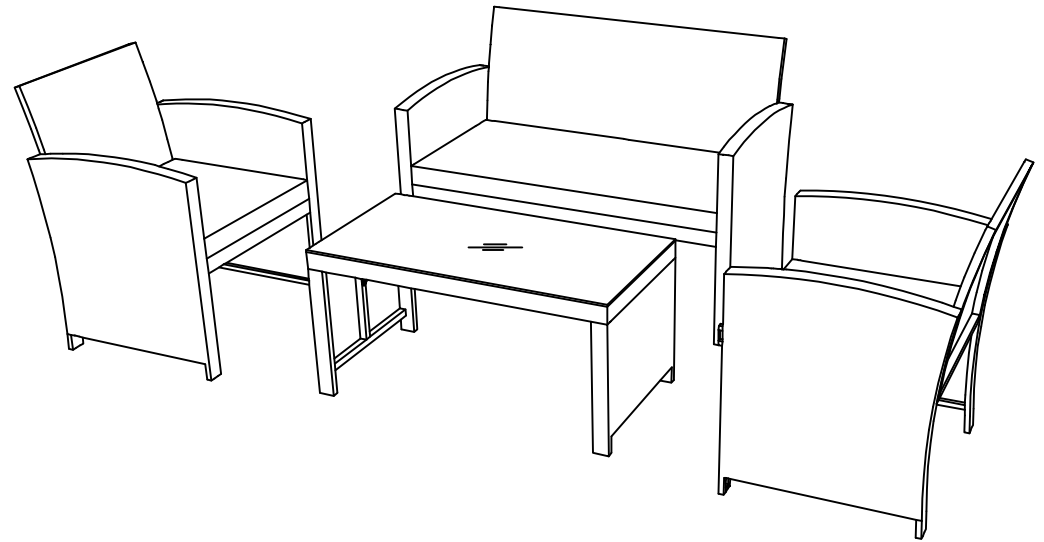




COSTWAY
www.costway.com

COSTWAY®



USER'S MANUAL

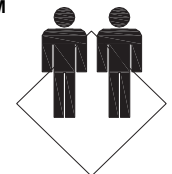
**Patio Grey Rattan Sofa Set
HW63238**

THIS INSTRUCTION BOOKLET CONTAINS **IMPORTANT** SAFETY INFORMATION. PLEASE READ AND KEEP FOR FUTURE REFERENCE.

Please give us a chance to make it right and do better !

Contact our friendly customer service department for help first.
Replacements for missing or damaged parts will be shipped ASAP!

**FLOOR AREA
2MX2M**



ASSEMBLED BY 2 ADULTS

Follow Costway
Visit us: www.costway.com



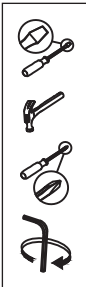
Contact Us!

Do NOT return this item.

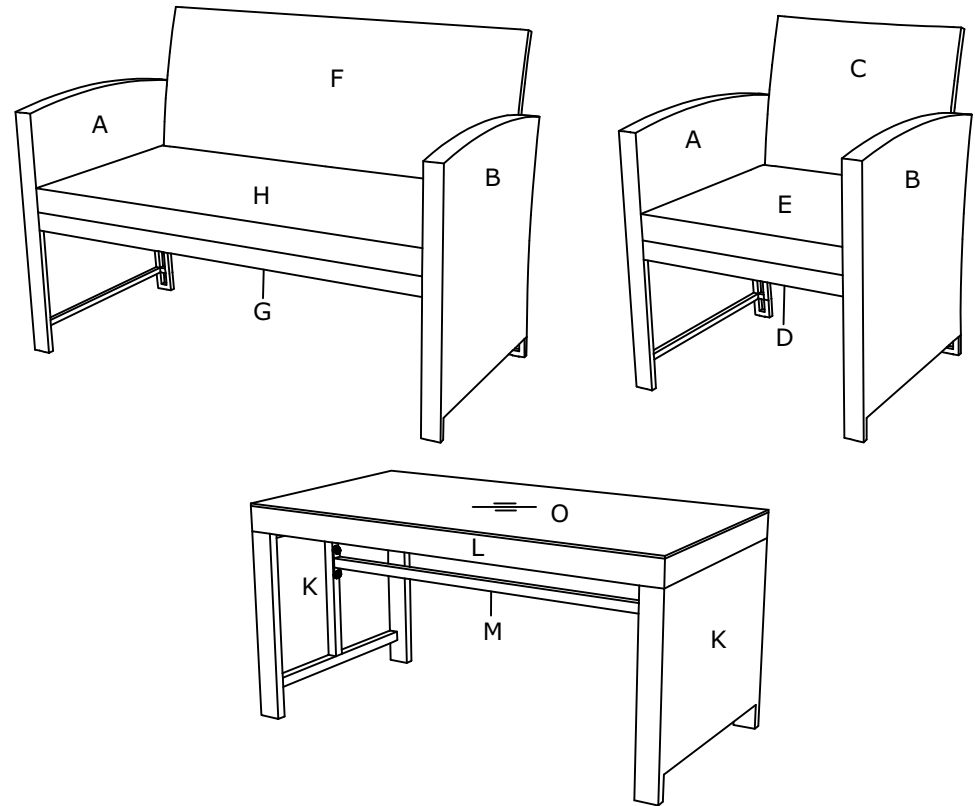
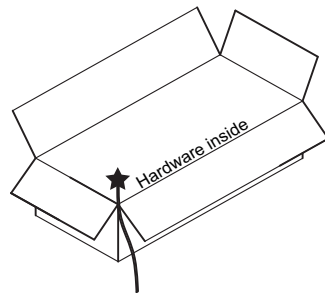
Contact our friendly customer service department for help first.



Before You Start


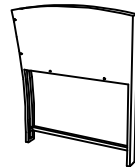
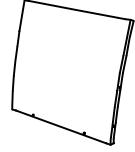
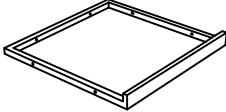
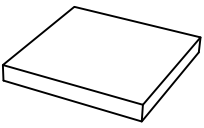
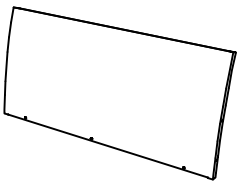
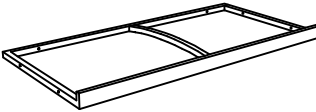
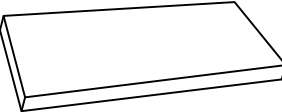


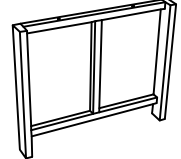
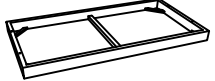

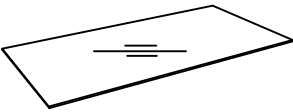




- ⦿ Read each step carefully before starting. It is very important to ensure each step followed in correct order, otherwise assembly difficulties may occur.
- ⦿ Most of board parts are labeled or stamped on the raw edges. Have a check to make sure all parts are included.
- ⦿ Work in a spacious area, preferably on a carpet close to where the unit will be used.
- ⦿ Keep the handtools close at hand. Do not use power tools to assemble your furniture. They may scratch or damage the parts.



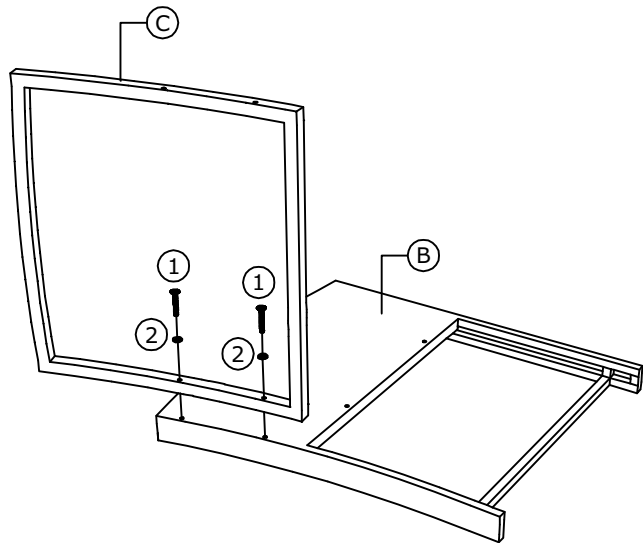
Notice:

1. 50% Tighten before fixing all screws, Allen wrench is recommended instead of an electric drill.
2. Place the item on a flat ground to adjust and make sure it remains stable.
3. Tighten up all screws with tools gradually.
4. If the screws are not aligned with holes during assembly, please loosen all the other screws to 50% and continue the assembly process.
5. If the item is not stable, please loosen all the screws, adjust it on a flat ground and tighten up all screws again.
6. Note : If one or some screws are fully tightened during assembly, chances are the others will not be aligned with holes. In addition, all the holes are designed to be relatively larger to provide more space for the adjustment of the screws.

<p>A</p>  <p>(3 pcs)</p>	<p>B</p>  <p>(3 pcs)</p>
<p>C</p>  <p>(2 pcs)</p>	<p>D</p>  <p>(2 pcs)</p>
<p>E</p>  <p>(2 pcs)</p>	<p>F</p>  <p>(1 pc)</p>
<p>G</p>  <p>(1 pc)</p>	<p>H</p>  <p>(1 pc)</p>

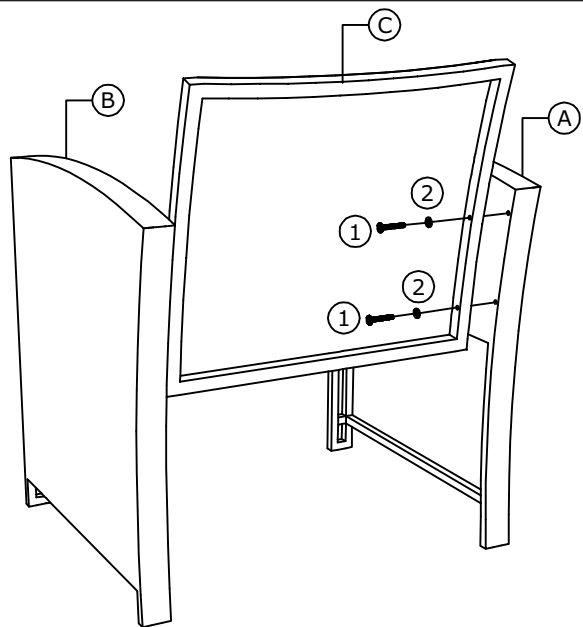
<p>K</p>  <p>(2 pcs)</p>	<p>L</p>  <p>(1 pc)</p>
<p>M</p>  <p>(1 pc)</p>	<p>O</p>  <p>(1 pc)</p>
<p>1</p>  <p>M6x40 mm</p> <p>(35 pcs)</p>	<p>2</p>  <p>Ø6 x 14 mm</p> <p>(39 pcs)</p>
<p>3</p>  <p>M6x20 mm</p> <p>(4 pcs)</p>	<p>4</p>  <p>Allenkey 4 x 60</p> <p>(3 pcs)</p>

STEP 1



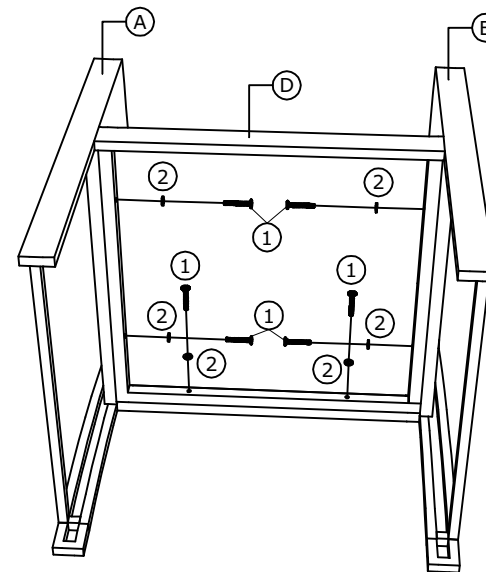
x2

STEP 2



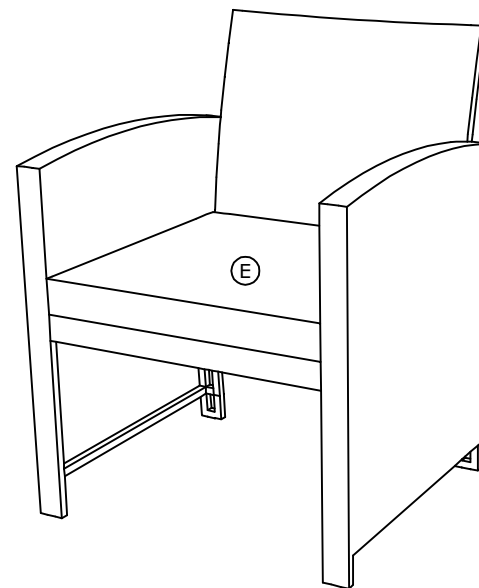
x2

STEP 3



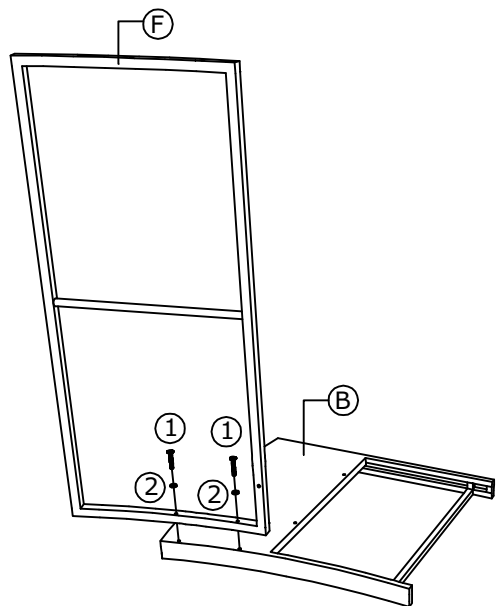
x2

STEP 4

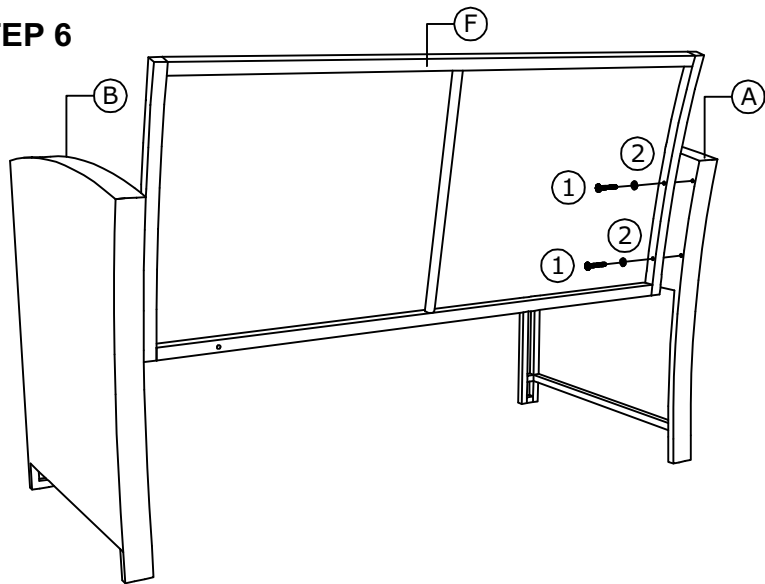


x2

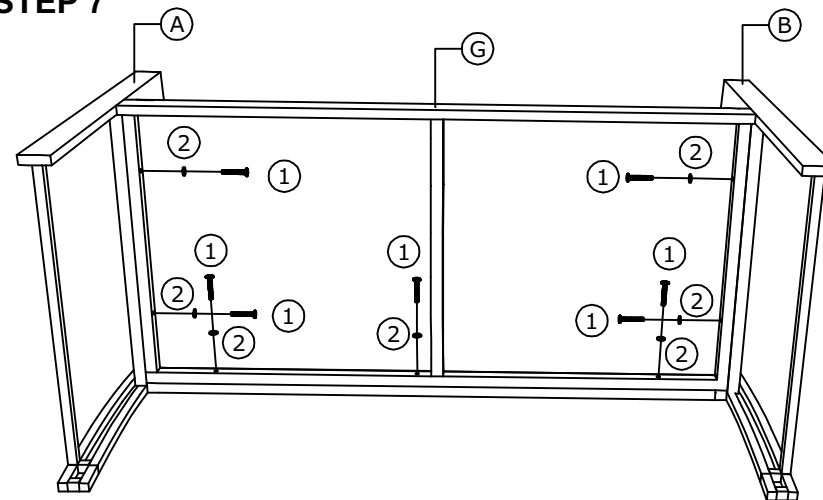
STEP 5



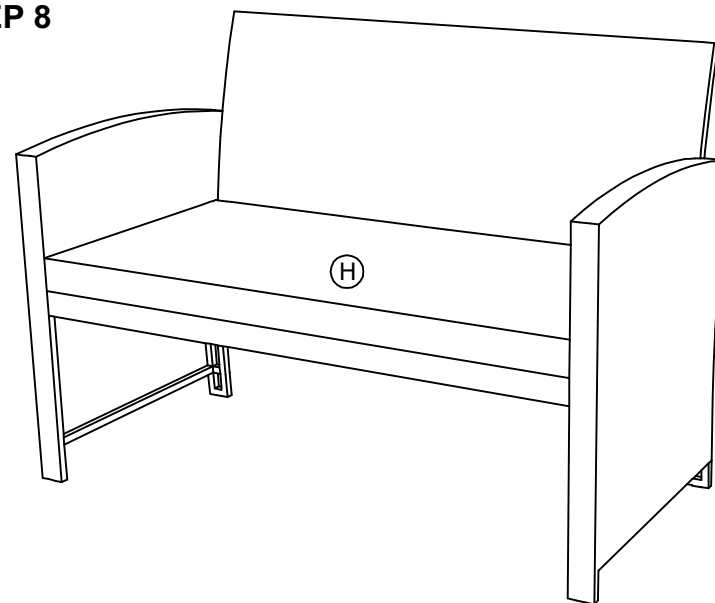
STEP 6



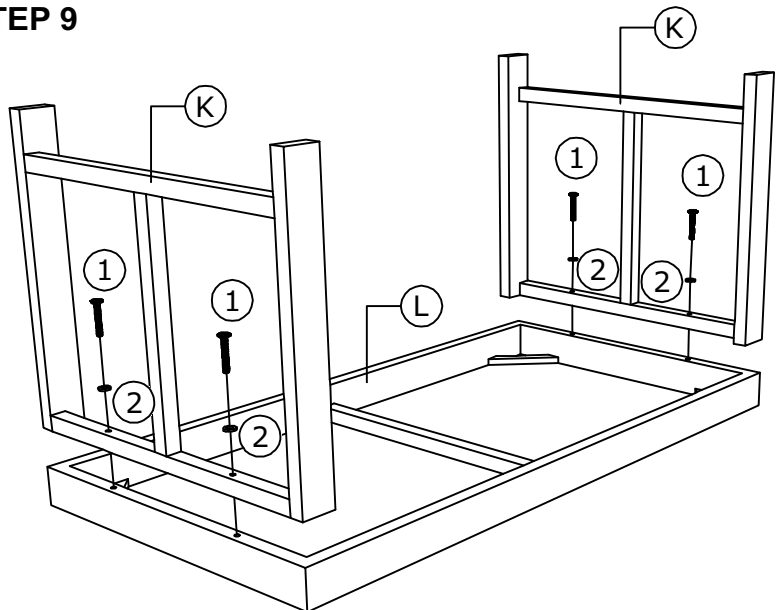
STEP 7



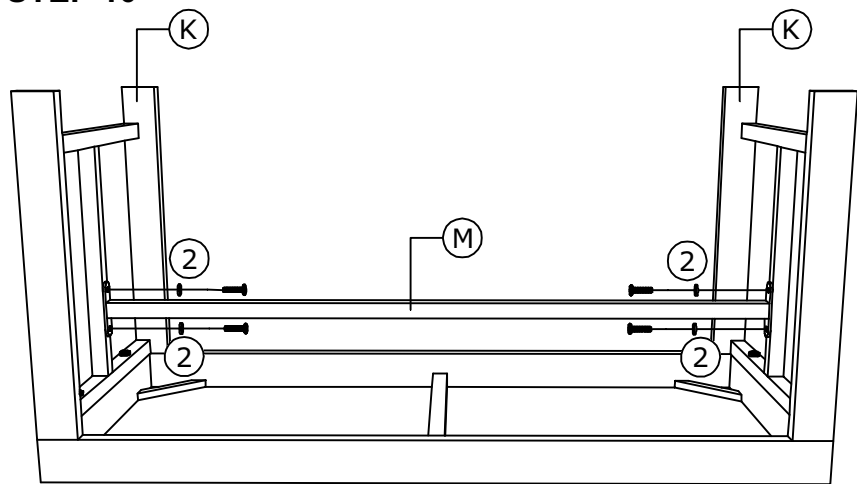
STEP 8



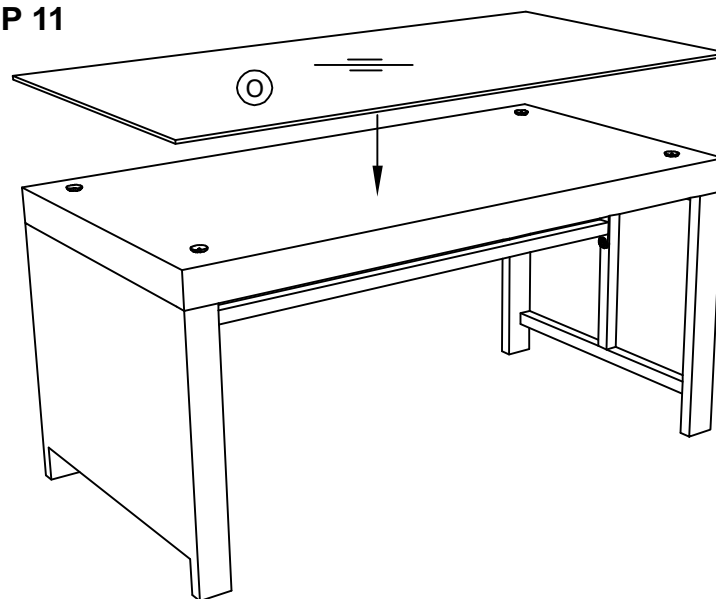
STEP 9



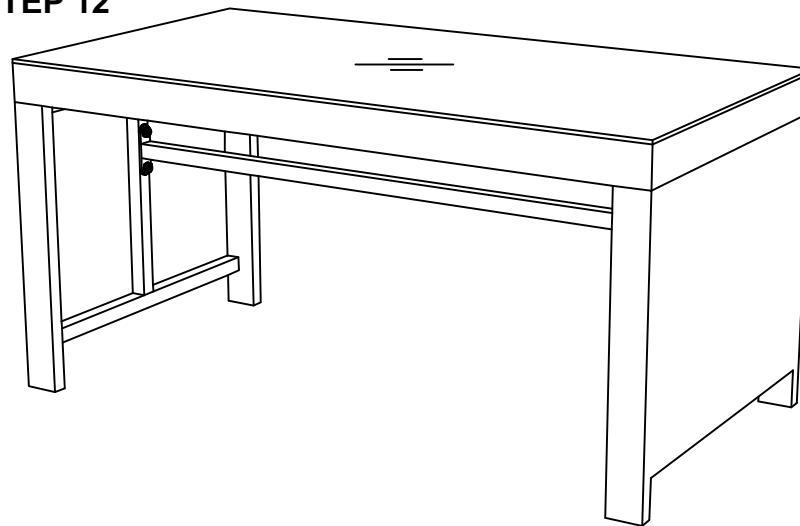
STEP 10



STEP 11



STEP 12



Care and Maintenance

Use a soft, clean cloth that will not scratch the surface when dusting.

Use of furniture polish is not necessary.

Should you choose to use polish, test first in an inconspicuous area.

Using solvents of any kind on your furniture may damage the finish.

Never use water to clean your furniture as it may cause damage to the finish.

Liquid spills should be removed immediately. Using a soft clean cloth, blot the spill gently. Avoid rubbing.

Check bolts/screws periodically and tighten them if necessary.

Further advice about wood furniture care

It is best to keep your furniture in a climate-controlled environment.

Extreme temperature and humidity changes can cause fading, warping, shrinking and splitting of wood.

It is advised to keep furniture away from direct sunlight as sun may damage the finish.

Proper care and cleaning at home will extend the life of your purchase.

Following these important and helpful tips will enhance your furniture as it ages.

Welcome to visit our website and purchase our quality products!

Your suggestions and comments for COSTWAY are really important to us! We sincerely solicit you to go back to our shop and leave a good rating in just a simple click. It would be quite encouraging if you could kindly do so like below:

★★★★★ Great products so far

February 24, 2019

Great products so far. Fast delivery, easy setup, and working without any issues.

With your inspiring rating, COSTWAY will be more consistent to offer you EASY SHOPPING EXPERIENCE, GOOD PRODUCTS and EFFICIENT SERVICE!

US office: Fontana, California

UK office: Ipswich



- * Reward Points
- * Exclusive Customer Service
- * Personalized Recommendations
- * Permanent Shopping Cart
- * Order History

5 Star Rating



We would like to extend our heartfelt thanks to all of our customers for taking time to assemble this product and giving us valuable feedbacks.

THANK
you
☺