



#### Features

- Flange helps prevent water from seeping behind wall and simplifies alcove installation.
- 12-1/2" soaking depth.
- End drain.
- Bath is less prone to cracks during transportation and installation than Acrylic FRP.
- Boot adds rigidity to the bottom of the bath, creating less flexing of the bath's structure when standing or sitting in it.
- Integral lumbar support.
- Textured bottom surface.
- Available exclusively at The Home Depot.
- 60" (1524 mm) x 31" (787 mm) x 19-3/8 (492 mm)

#### Material

- Acrylic-capped ABS.

#### Installation

- Alcove

#### Recommended Accessories

K- 37383 30" Rough-in Cable Bath Drain



**ADA** **CSA B651** **OBC**

#### Codes/Standards

CSA B45.5/IAPMO Z124  
Greenguard UL 2818 - Gold  
ADA  
ICC/ANSI A117.1  
CSA B651  
OBC


#### KOHLER® One-Year Limited Warranty

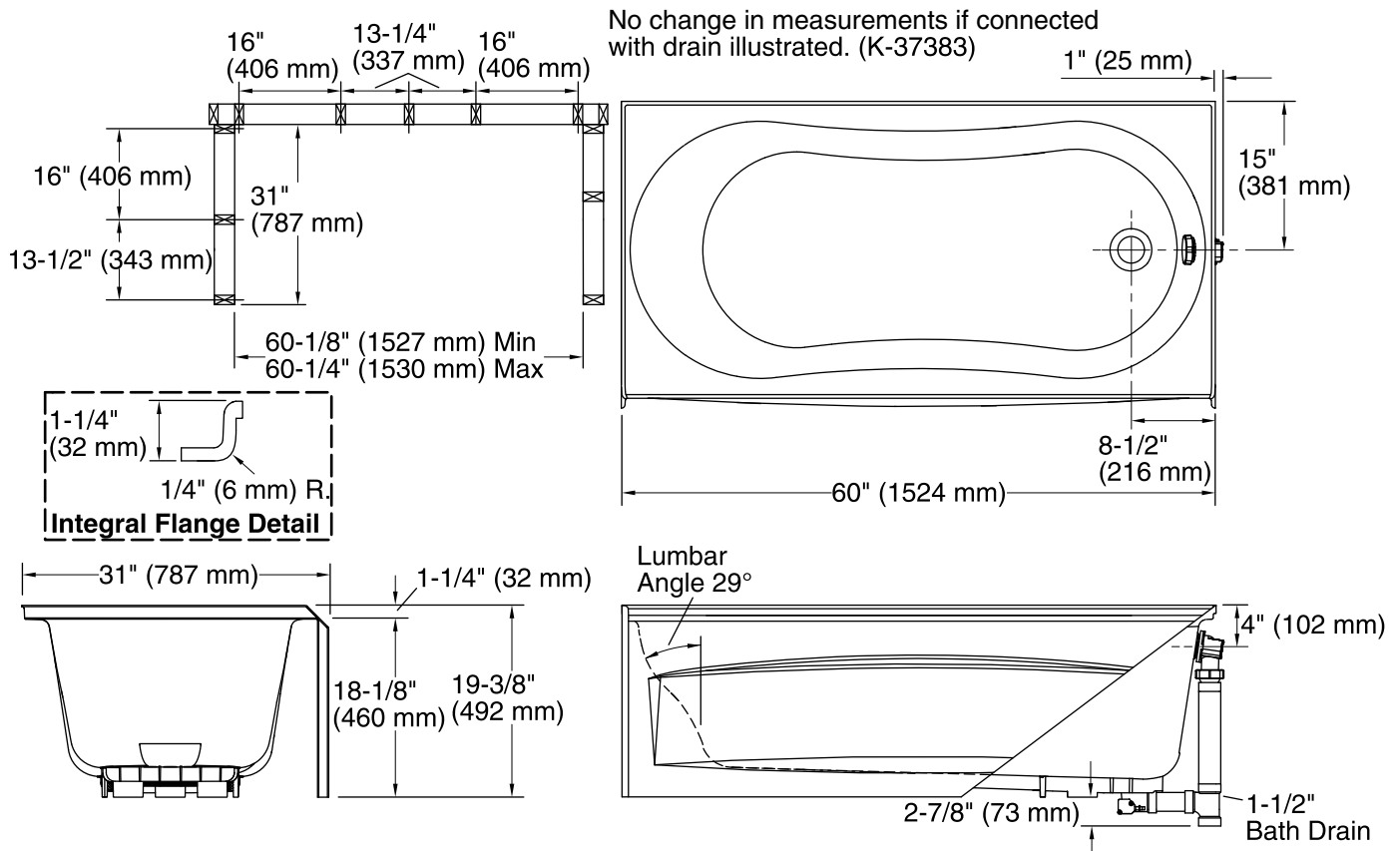
See website for detailed warranty information.

#### Available Color/Finishes

*Color tiles intended for reference only.*

#### Color Code Description

 0 White



### Technical Information

All product dimensions are nominal.

Installation: 3-Wall Alcove

Drain location: Left

Water depth: 12-1/16" (307 mm)

Water capacity: 46.11 gal (174.5 L)

Minimum flat for door: 1-5/8" (42 mm)

### Notes

Measure your actual product for rough-in details.

Install this product according to the installation instructions.

The hot water supply should be 70% of the capacity of the bath or greater. Installations will vary.

Ensure that the back wall support block has a stud located in the center.

Ensure the apron flanges are supported by the studs.

ADA, OBC, CSA B651 compliant when installed to the specific requirements of these regulations.