

IMPORTANT:
Read Before Using

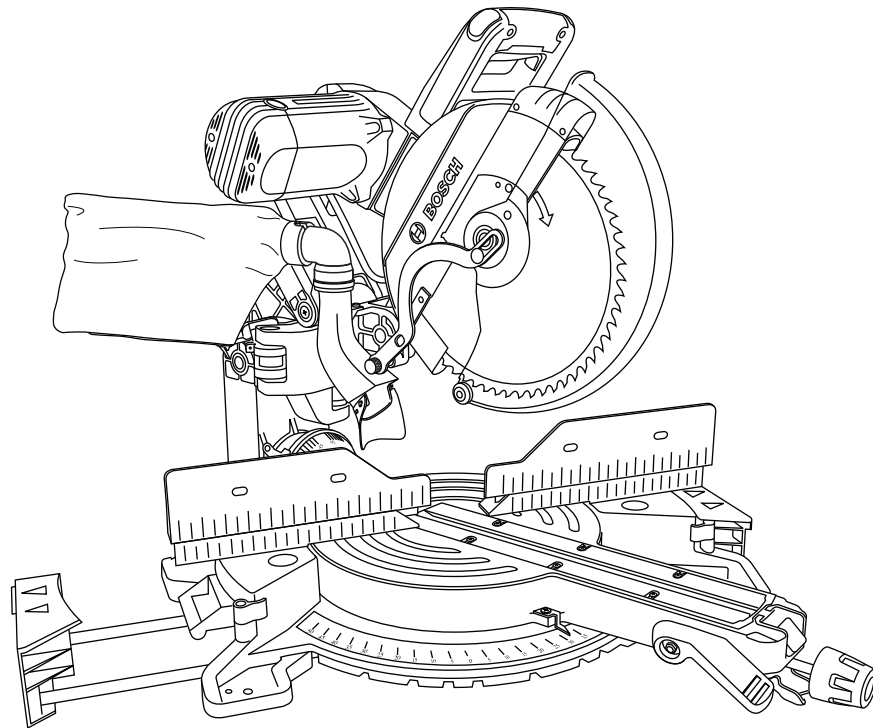
IMPORTANTE:
Leer antes de usar

IMPORTANT :
Lire avant usage



Operating/Safety Instructions
Instrucciones de funcionamiento y seguridad
Consignes de fonctionnement/sécurité

GCM12SD



BOSCH

**Call Toll Free for
Consumer Information
& Service Locations**

**Llame gratis para
obtener información
para el consumidor y
ubicaciones de servicio**

**Pour obtenir des informations
et les adresses de nos centres
de service après-vente,
appelez ce numéro gratuit**

1-877-BOSCH99 (1-877-267-2499) www.boschtools.com

**For English Version
See page 2**

**Versión en español
Ver la página 56**

**Version française
Voir page 110**

Safety



WARNING “READ ALL INSTRUCTIONS” — Failure to follow the SAFETY RULES identified by BULLET (•) symbol listed BELOW, and other safety precautions, may result in serious personal injury.

General Safety Rules for Benchtop Tools

Work Area

- **Keep work area clean and well-lit.** Cluttered benches and dark areas invite accidents.
- **Do not operate power tools in explosive atmospheres, such as in the presence of flammable liquids, gases or dust.** Power tools create sparks which may ignite the dust or fumes.
- **Keep bystanders, children and visitors away while operating a power tool.** Distractions can cause you to lose control.
- **Store idle tools out of reach of children and other untrained persons.** Tools are dangerous in the hands of untrained users.
- **Do not leave tool running unattended; turn power off.** Do not leave tool until it comes to a complete stop.
- **MAKE WORKSHOP CHILDPROOF** with pad lock, master switches or by removing starter keys.

Electrical Safety

- **Before plugging in the tool, be certain the outlet voltage supplied is compatible with the voltage marked on the nameplate within 10%.** An outlet voltage incompatible with that specified on the nameplate can result in serious hazards and damage to the tool.
- **Double-insulated tools are equipped with a polarized plug (one blade is wider than the other). This plug will fit in a polarized outlet only one way. If the plug does not fit fully in the outlet, reverse the plug. If it still does not fit, contact a qualified electrician to install a polarized outlet. Do not change the plug in any way.** Double insulation eliminates the need for the three-wire grounded power cord and grounded power supply.
- **Avoid body contact with grounded surfaces such as pipes, radiators, ranges and refrigerators.** There is an increased risk of electric shock if your body is grounded.

- **Do not expose power tools to rain or wet conditions.** Water entering a power tool will increase the risk of electric shock.
- **Do not abuse the cord. Never use the cord to carry the tools or pull the plug from an outlet. Keep cord away from heat, oil, sharp edges or moving parts. Replace damaged cords immediately.** Damaged cords increase the risk of electric shock.
- **When operating a power tool outside, use an outdoor extension cord marked “W-A” or “W.”** These cords are rated for outdoor use and reduce the risk of electric shock.

Personal Safety

- **Stay alert, watch what you are doing and use common sense when operating a power tool.** A moment of inattention or use of drugs, alcohol or medication while operating power tools can be dangerous.
- **Dress properly. Do not wear loose clothing or jewelry. Contain long hair. Keep your hair, clothing and gloves away from moving parts.** Loose clothes, jewelry or long hair can be caught in moving parts. Roll long sleeves above elbows. Rubber gloves and non-skid footwear are recommended when working outdoors.
- **Avoid accidental starting. Be sure switch is “OFF” before plugging in.** Carrying tools with your finger on the switch or plugging in tools that have the switch “ON” invites accidents.
- **Remove adjusting keys or wrenches before turning the tool “ON.”** A wrench or a key that is left attached to a rotating part of the tool will be thrown.
- **Do not overreach, keep proper footing and balance at all times.** Proper footing and balance enable better control of the tool in unexpected situations.
- **Do not stand on tool or its stand.** Serious injury may occur if the tool is tipped or if the cutting tool is accidentally contacted. Do not store materials on or near the tool such that it is necessary to stand on the tool or its stand to reach them.

“SAVE THESE INSTRUCTIONS”

Safety

⚠ WARNING “READ ALL INSTRUCTIONS” — Failure to follow the SAFETY RULES identified by BULLET (●) symbol listed BELOW, and other safety precautions, may result in serious personal injury.

- **Use safety equipment. Always wear safety goggles.** Dust mask, safety shoes, hard hat or hearing protection must be used for appropriate conditions. Everyday eyeglasses only have impact-resistant lenses, they are NOT safety glasses.

Tool Use and Care

- **Use clamps or other practical way to secure and support the workpiece to a stable platform.** Holding the workpiece by hand or against your body is unstable. It allows for workpiece to shift, causes binding of the tool and loss of control.
- **Do not force tool. Use the correct tool for your application.** The correct tool will do the job better and safer at the rate for which it is designed. Do not use the tool for purpose not intended - for example, do not use the miter saw for slicing meats.
- **Do not use tool if switch does not turn it “ON” or “OFF.”** Any tool that cannot be controlled with the switch is dangerous.
- **Disconnect the plug from the power source before making any adjustments or changing accessories.** Such preventive safety measures reduce the risk of starting the tool accidentally.
- **Keep cutting tools sharp and clean.** Properly maintained tools, with sharp cutting edges, are less likely to bind and easier to control. When mounting saw blades, be certain that the arrow on the blade matches the direction of the arrow marked on the tool and that the teeth are also pointing in the same direction.
- **Inspect guards before using a tool. Keep guards in place. Check moving parts for binding or any other condition that may affect the normal operation or safety features of the tool. If damaged, have tool serviced before using the tool.** Many accidents are caused by poorly maintained tools.
- **Do not alter or misuse tool.** Any alteration or modification is a misuse and may result in serious personal injury.
- **The use of any other accessories not specified in this manual may create a hazard.** Accessories that may be suitable for one type of tool may become hazardous when used on an inappropriate tool.

Service

- **Tool service must be performed only by qualified repair personnel.** Service or maintenance performed by unqualified personnel may result in misplacing internal wires and components which could cause serious hazard.
- **When servicing a tool, use only identical replacement parts. Follow instructions in the Maintenance and Lubrication section of this manual.** Use of unauthorized parts or failure to follow maintenance instructions may create a hazard.

Safety Rules for Miter Saws

- **To reduce risk of injury, use saw blade rated 3800/min (RPM) or greater.**
- **Use clamps to support workpiece whenever possible. If supporting the workpiece by hand, you must always keep hand outside of “No Hand” area as marked with a symbol on the base. Do not use this saw to cut pieces that are too small to be securely clamped.** Your hand, if placed inside the “No Hands” region, can easily slip or be pulled into the blade.
- **Do not reach in back of the saw blade behind the fence with either hand to hold down or support the workpiece, remove wood scraps or for any other reason.** The proximity of the spinning saw blade to your hand may not be obvious and you may be seriously injured.
- **Never cross your hand over intended line of cutting.** Supporting the workpiece “cross handed,” i.e., holding the left side of the workpiece with your right hand, is very dangerous.
- **Always disconnect the power cord from the power source before making any adjustments or attaching any accessories.** You may unintentionally start the saw, leading to serious personal injury.
- **Miter saws are intended to cut wood or wood-like products; they cannot be used with abrasive cutoff wheels for cutting ferrous material such as bars, rods, studs, etc. However, if cutting materials like aluminum or other non-ferrous metals, use only saw blades specifically recommended for non-ferrous metal cutting.** Cutting ferrous materials causes excessive sparking and will damage the lower guard and overload the motor.

“SAVE THESE INSTRUCTIONS”

Safety



“READ ALL INSTRUCTIONS” — Failure to follow the SAFETY RULES identified by BULLET (●) symbol listed BELOW, and other safety precautions, may result in serious personal injury.

- **Inspect your workpiece before cutting. If workpiece is bowed or warped, clamp it with the outside bowed face toward the fence. Always make certain that there is no gap between the workpiece, fence and table along the line of the cut.** Bent or warped workpieces can twist or rock and may cause binding on the spinning saw blade while cutting. Also, make sure there are no nails or foreign objects in the workpiece.
- **Do not use the saw until the table is clear of all tools, wood scraps, etc., except the workpiece.** Small debris, loose pieces of wood or other objects that contact the revolving blade can be thrown with high speed at the operator.
- **Do not feed workpiece into the blade or cut “freehand” in any way. Workpiece must be stationary and clamped or braced by your hand.** Saw must be fed through the workpiece smoothly and at a rate which will not overload the saw’s motor.
- **Cut only one workpiece at a time.** Multiple workpieces cannot be adequately clamped or braced and may bind on the blade or shift during cutting.
- **Be certain the miter saw is mounted or placed on a level, firm work surface before using.** A level and firm work surface reduces the risk of the miter saw becoming unstable.
- **Plan your work. Provide adequate support accessories such as tables, saw horses, table extension, etc. for workpieces wider or longer than the table top (see page 29).** Workpieces longer or wider than the miter saw table can tip if not securely supported. If the cutoff piece or workpiece tips, it can lift the lower guard or be thrown by the spinning blade.
- **Do not use another person as a substitute for a table extension or as additional support.** Unstable support for the workpiece can cause the blade to bind or the workpiece to shift during the cutting operation, pulling you and the helper into the spinning blade.
- **The cutoff piece must not be jammed or pressured by any other means against the spinning saw blade.** If confined, i.e., using length stops, it could get wedged against the blade and thrown violently.
- **Always use a clamp or a fixture designed to properly support round material such as dowel rods or tubing.** Rods have a tendency to roll while being cut, causing the blade to “bite” and pull the work with your hand into the blade.
- **When cutting irregularly shaped workpieces, plan your work so it will not slip and pinch the blade and be torn from your hand.** A piece of molding, for example, must lie flat or be held by a fixture or jig that will not let it twist, rock or slip while being cut.
- **Let the blade reach full speed before contacting the workpiece.** This will help avoid thrown workpieces.
- **If the workpiece or blade becomes jammed or bogged down, turn miter saw “OFF” by releasing switch. Wait for all moving parts to stop and unplug the miter saw, then work to free the jammed material.** Continued sawing with jammed workpiece could cause loss of control or damage to miter saw.
- **Braking action of the saw causes the saw head to jerk downward. Be ready for this reaction** when making an incomplete cut or when releasing the switch before the head is completely in the DOWN position.
- **After finishing the cut, release the switch, hold the saw arm down and wait for blade to stop before removing work or cutoff piece. If blade does not stop within five (5) seconds, unplug the saw and follow the instructions in the Troubleshooting section. REACHING WITH YOUR HAND UNDER A COASTING BLADE IS DANGEROUS!**
- **There are additional safety instructions for particular operations of the saw in the Saw Operations section. Read the rest of the manual for safe operation.**
- **The GCM12SD miter saw has an extremely smooth action and requires the operator to firmly grip the handle before turning “ON” the saw. For slide-action cutting, first grip the switch handle in the UP position and pull out back to the fully extended position. The blade must clear the workpiece. Make certain the clamp does not interfere with the guard and head assembly. Second, turn saw “ON” and lower the saw to the table. Then PUSH saw through the workpiece. Release the switch and wait for the blade to completely stop before raising the head assembly and removing the workpiece. Never “pullcut,” since blade may climb the workpiece, causing KICKBACK.**
- **For chop-action cutting, move the head assembly to the rear as far as it will go and engage the mechanism lock. Then turn the saw “ON” and lower the head assembly to make the cut. Release the switch and wait for the blade to completely stop before raising the head assembly and removing the workpiece.** Failure to lock the mechanism can cause the blade to suddenly climb up on the top of the workpiece and force itself toward you.

“SAVE THESE INSTRUCTIONS”

Safety

⚠ WARNING "READ ALL INSTRUCTIONS" — Failure to follow the SAFETY RULES identified by BULLET (●) symbol listed BELOW, and other safety precautions, may result in serious personal injury.

- Do not allow familiarity gained from frequent use of your miter saw to become commonplace. Always remember that a careless fraction of a second is sufficient to inflict severe injury.
- THINK SAFETY! SAFETY IS A COMBINATION OF OPERATOR'S COMMON SENSE, KNOWLEDGE OF THE SAFETY AND OPERATING INSTRUCTIONS AND ALERTNESS AT ALL TIMES WHEN THE MITER SAW IS BEING USED.

⚠ WARNING THE WARNINGS SHOWN BELOW CAN BE FOUND ON YOUR TOOL. THESE WARNINGS ARE ONLY A CONDENSED FORM OF THE MORE DETAILED SAFETY RULES AND PRECAUTIONS THAT APPEAR IN YOUR OWNER'S MANUAL. THEY SERVE AS A REMINDER OF ALL SAFETY RULES NEEDED FOR SAFE OPERATION OF THIS MITER SAW.

⚠ WARNING Some dust created by power sanding, sawing, grinding, drilling and other construction activities contains chemicals known to cause cancer, birth defects or other reproductive harm. Some examples of these chemicals are:

- Lead from lead-based paints,
- Crystalline silica from bricks and cement and other masonry products, and
- Arsenic and chromium from chemically treated lumber.

Your risk from these exposures varies, depending on how often you do this type of work. To reduce your exposure to these chemicals: work in a well-ventilated area, and work with approved safety equipment, such as those dust masks that are specially designed to filter out microscopic particles.

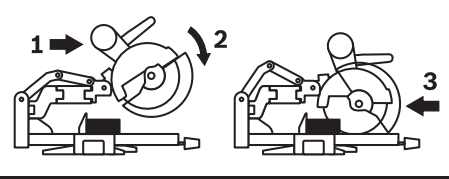
⚠ WARNING Do not use the Bosch GCM12SD miter saw to cut fiber cement board. The Bosch miter saw is not intended to cut fiber cement board.



BOSCH GCM12SD

⚠ WARNING To reduce risk of injury, user must read and understand the instruction manual. ▲ Wear eye and respiratory protection. ▲ Use saw blade rated 3800/min or greater. ▲ Do not use saw without functioning guard system. If guard doesn't operate smoothly, have it serviced. After changing blade return guard to operating position. ▲ Keep hands a safe distance from saw blade. Always keep outside of No-Hands zone. ▲ Keep hands away from pinch points. ▲ Disconnect saw from power source before servicing or changing blade. ▲ Never reach around or in the back of the saw blade. ▲ Hold or clamp workpiece against base and fence. Never perform any operation freehand. ▲ Do not Cross-Hand cut. Never place your hands or arms across the projected saw blade path. With motor OFF, make a Dry-Run to be aware of the blade's reach. ▲ For bevel or compound cutting, adjust sliding fence clear of blade path and guard system. ▲ After turning saw OFF, keep saw in the down position and wait for blade to stop before removing cutoff pieces or changing settings. ▲ To avoid electrical shock, do not expose to rain or use in damp locations. ▲ When servicing use only identical replacement parts.

▲ FOR SLIDE ACTION CUTTING, ALWAYS FOLLOW THESE INSTRUCTIONS:



1. PULL saw carriage away from the fence, until blade clears the workpiece or to its maximum extension if blade can not clear the workpiece.
2. Turn saw "ON" and lower the saw to the table.
3. PUSH saw thru the workpiece. Never "pull-cut" since blade may climb the workpiece causing KICKBACK.

BOSCH GCM12SD

Ø12" (305mm) DUAL-BEVEL
HINGE SLIDE MITER SAW

120V~ 50/60Hz 15A n₀ 3800/min (RPM) 3 601 F65 010

Robert Bosch Tool Corp., Mount Prospect, IL
Made in China

SN

DOUBLE INSULATED

E152254

UL LISTED
TOOL 293G

Patents Pending



DESIGNATED DANGER ZONES - AVOID POSITIONING HANDS, FINGERS OR ARMS IN THE AREA DESIGNATED BY THIS SYMBOL.



DESIGNATED PINCH POINT AREA - A DANGER ZONE - AVOID PLACING HANDS, FINGERS OR ARMS IN THESE AREAS. NEVER ATTEMPT TO MOVE OR LIFT THE SAW IN THESE AREAS.



DESIGNATED NO - CARRY AREA - A DANGER ZONE - NEVER LIFT OR CARRY SAW BY THE MAIN SWITCH HANDLE.

Do Not Carry the Saw by this handle.
No lleve la sierra por este mango.
Ne transportez pas la scie par sa poignée.


"SAVE THESE INSTRUCTIONS"

Safety



WARNING “READ ALL INSTRUCTIONS” — Failure to follow the SAFETY RULES identified by BULLET (●) symbol listed BELOW, and other safety precautions, may result in serious personal injury.

Double-Insulated Tools

Double insulation  is a design concept used in electric power tools which eliminates the need for the three-wire grounded power cord and grounded power supply system. It is a recognized and approved system by Underwriter’s Laboratories, CSA and Federal OSHA authorities.

- Servicing of a tool with double insulation requires care and knowledge of the system and should be performed only by a qualified service technician.
- WHEN SERVICING, USE ONLY IDENTICAL REPLACEMENT PARTS.
- POLARIZED PLUGS. Your tool is equipped with a polarized plug (one blade is wider than the other); this plug will fit in a polarized outlet only one way. If the plug does not fit fully in the outlet, reverse the plug. If it still does not fit, contact a qualified electrician to install the proper outlet. To reduce the risk of electrical shock, do not change the plug in any way.

Extension Cords

- Replace damaged cords immediately. Use of damaged cords can shock, burn or electrocute.
- If an extension cord is necessary, a cord with adequate size conductors should be used to prevent excessive voltage drop, loss of power or overheating. The table shows the correct size to use, depending on cord length and nameplate amperage rating of tool. If in doubt, use the next heavier gauge. Always use UL and CSA listed extension cords.

RECOMMENDED SIZES OF EXTENSION CORDS

Tool Ampere Rating	120-volt AC Tools Cord Length in Feet Cord Size in AWG			
	25	50	100	150
3-6	18	16	16	14
6-8	18	16	14	12
8-10	18	16	14	12
10-12	16	16	14	12
12-16	14	12	N/A	N/A

NOTE: The smaller the gauge number, the heavier the cord.

“SAVE THESE INSTRUCTIONS”

Table of Contents

Safety	2-6	Preparing for Saw Operations	28-31
General Safety Rules for Benchtop Tools . . .	2-3	Body and Hand Positions	28
Safety Rules for Miter Saws	3-6	Workpiece Support	29-30
Table of Contents	7	Saw Operations	32-50
Electrical Requirements	7	Switch Activation	32
Electric Brake	7	Using Miter Detent System	33
Getting to Know Your Miter Saw	8-9	Miter Detent Override	33
Assembly	10-16	Chop Cuts	34
Unpacking and Checking Contents	10	Slide Cuts	35
Tools Needed for Assembly and Alignment . . .	11	Miter Cuts	36-38
Attaching Loose Parts	12	Bevel Cuts	39-42
Removing and Installing Blades	13-14	Compound Cuts	43
Assembling Dust Collection System	15-16	Cutting Grooves	44
Adjustments	17-25	Cutting Base Molding	45
Using the Head Assembly Lock Pin	17	Cutting Crown Molding	45
Using the Glide Movement Controller	17	Crown Molding Angled to Table and Fence . . .	46
Using the Mechanism Lock Lever	18	Crown Molding Lying Flat on Table	47
Depth of Cut Adjustment	19	Crown Molding Auxiliary Fence	48-49
Miter Detent System – Adjustment Procedure . .	20	Special Cuts	50
0° Bevel Stop – Adjustment Procedure . . .	21-22	Maintenance and Lubrication	51-52
45° Bevel Stop – Adjustment Procedure . .	23-24	Troubleshooting	53-55
Adjusting Bevel Lock Tension	25	Troubleshooting Guide – Electrical	53
Adjusting Front Stabilizing Bolt	25	Troubleshooting Guide – General	54-55
Transporting and Mounting	26-27	Accessories	55
Mounting Applications	27		

Electrical Requirements

- Connect this saw to a 120V, 15-amp branch circuit with a 15-amp time delay fuse or circuit breaker. Using the wrong size fuse can damage the motor.
- Fuses may “blow” or circuit breakers may trip frequently if motor is overloaded. Overloading can occur if you feed the blade into the workpiece too rapidly or start and stop too often in a short time.
- Most motor troubles may be traced to loose or incorrect connections, overload or low voltage (such as small size wire in the supply circuit or overly long supply circuit wire). Always check the connections, the load and the supply circuit whenever motor does not work well.

Electric Brake

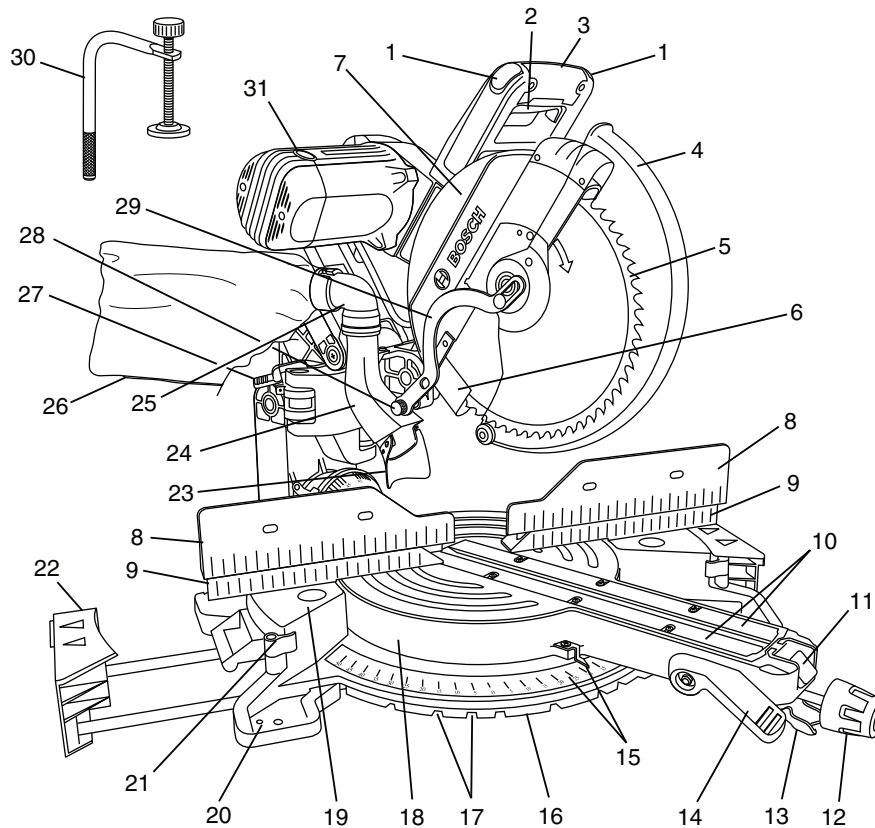
Your saw is equipped with an automatic electric brake which is designed to stop the blade from spinning in about five (5) seconds after you release the trigger switch. It is useful when making certain cuts in wood where a coasting blade would result in a wide, imprecise cut.

⚠ WARNING When electrical power is lost due to blown fuse or other causes, the motor will gradually slow down and the braking action is initiated **ONLY** by the release of the trigger switch.

The electric blade brake of your miter saw has been designed for highest degree of reliability, but unexpected circumstances such as contamination on the commutator and brushes or failure of motor’s components can cause the brake not to activate. If this condition occurs, turn the saw “ON” and “OFF” four to five times without contacting the workpiece. If the tool operates but the brake does not consistently stop the blade in about five seconds, **DO NOT** use saw and have it serviced immediately.

⚠ WARNING The brake action of this saw is not intended as a safety feature. Remember to let the saw blade come to a complete stop before raising the blade from the workpiece. As always, the guard system is your best protection against unintentional contact with a spinning saw blade. **NEVER** wedge open or defeat the closing action of the lower guard.

Getting To Know Your Miter Saw

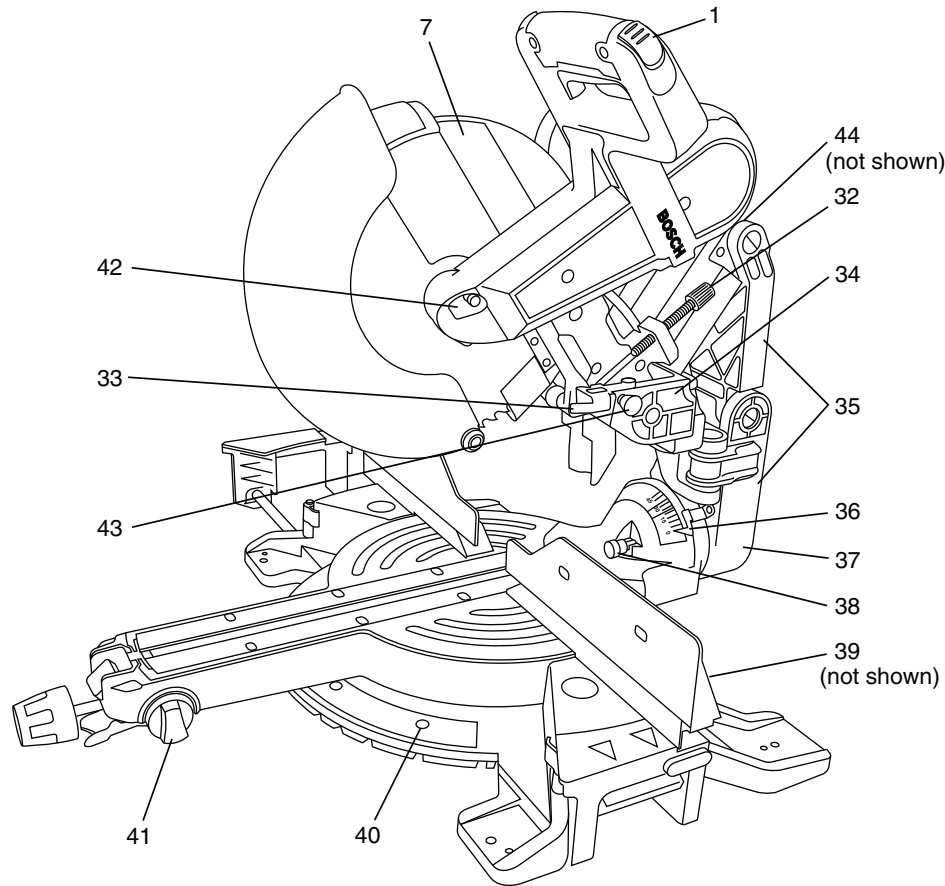


⚠ WARNING To avoid injury from accidental starting, remove plug from power source outlet before making any adjustments.

1. **Switch Lock-OFF Release Buttons** – One of these two buttons must be pressed before the power switch can be pressed.
2. **Power Switch** – The power switch used with the “Lock-OFF” button energizes the unit.
3. **Main Handle** – This handle contains the power switch. Pulling this handle down lowers the blade into the workpiece.
4. **Lower Blade Guard/Lower Guard Lip** – The lower blade guard helps protect your hands from the spinning blade. It retracts as the blade is lowered. Lip can be used to raise the lower guard in the event that the guard becomes jammed on a workpiece.
5. **Blade** – Use only 12" (308 mm) diameter blades with 1" (25.4 mm) diameter arbor holes.
6. **Chip Deflector** – Deflects cut-off workpieces from entering the upper guard.
7. **Upper Guard** – Covers upper portion of the blade.
8. **Sliding Fence** – Supports the workpiece. The fence has a cast-in scale to make repetitive cuts easy. The fence also has holes to secure an auxiliary fence if desired.
9. **Stationary Fence** – Stationary fence is bolted to the base and will support the workpiece when the sliding fence is removed.
10. **Kerf Inserts** – Kerf inserts can be adjusted to different blade widths to minimize workpiece tear-out.
11. **Miter Detent Override** – Allows detent action to be locked out, allowing for micro-adjustments to any miter angle.
12. **Miter Lock Knob** – The miter lock knob locks the miter saw table at any desired miter angle.
13. **Miter Detent Lever** – The lever releases the table from the detent.
14. **Bevel Lock Lever** – The front-positioned bevel lock lever locks the head assembly at the desired bevel angle.
15. **Miter Scale/Miter Pointer** – The pointer rotates with the table and blade. It points to the miter scale to indicate the angle setting before a cut is made.
16. **Miter Detent Plate** – The position of the plate can be adjusted to set the accuracy of its detent locations.
17. **Miter Detents** – There are ten (10) miter detent slots for fast and accurate miter cuts of common miter angles.
18. **Table** – Sits in base, provides workpiece support, rotates for desired miter cuts and rotates the head assembly. The front extended part of the table is called the miter arm.
19. **Base** – Provides working surface to support workpiece.
20. **Tool Mounting Pads** – The four corners of the saw provide areas to clamp, bolt or nail the saw to a flat work surface.



Getting To Know Your Miter Saw



NOTE: To view items 21 through 31, see page 8.

- 21. Base Extension Clamping Levers** – Lock the base extensions at the desired positions.
- 22. Sliding Base Extensions** – Provide extra work support. Useful when cutting long workpieces.
- 23. Rubber Deflector** – Attaches to bottom of chute. Deflects dust into the chute.
- 24. Dust Chute** – Directs sawdust up and through the elbow and to the bag.
- 25. Elbow** – Connects the dust chute to the dust bag. Can be rotated to direct dust.
- 26. Dust Bag** – Has a zipper at the bottom. Bag can be uncoupled from elbow for emptying.
- 27. Mechanism Lock Lever** – Holds saw in full back position for chop cuts or fully extended for transporting.
- 28. Link Knob** – Attaches guard link to the pivot post.
- 29. Lower Guard Link** – Allows for smooth movement of the lower guard.
- 30. Clamp** – Use to hold the workpiece to the table and base – insert into clamp post location (item 39).
- 31. Brush Cap** – Keeps motor brushes in position. Provides access for inspecting and replacing brushes.
- 32. Depth Stop Screw** – Turn the knob end to adjust the blade depth for cutting grooves.
- 33. Depth Stop Plate** – Plate can be swung out to limit the depth of the blade travel.
- 34. Pivot Post** – Provides support for the saw head, dust collection system and other functional parts.
- 35. Axial Glide Mechanism** – Allows saw to smoothly slide in and out. Can be locked in full rear or fully extended positions.
- 36. Bevel Scale and Pointers** – Scale is large and angled - allows user to easily read bevel angles. Pointer indicates what the current angle is.
- 37. Bevel Post** – Provides rotating support for all miter saw parts above the table.
- 38. Bevel Detent Pin (Crown Molding Setting)** – When engaged, it locks the head assembly to the bevel angle of 33.9° to the left or right.
- 39. Clamp Post Locations** – Two vertical post holes in the base – provided to insert the clamp (item 30).
- 40. Miter Detent Plate Screws** – Four screws accessible through holes in the miter scale. These screws are loosened when adjusting position of the detent plate.
- 41. Bevel Range Selector Knob** – Allows selection of 3 bevel ranges: “0-45° Left”, “0-45° Right” or “Max. Bevel Angle to 47°.”
- 42. Arbor Lock** – Press arbor lock button to keep blade from rotating when loosening or tightening arbor bolt during blade removal or installation.
- 43. Head Assembly Lock Pin** – Used to lock the head assembly in the lower position for transporting.
- 44. Glide Movement Controller** – Adjusts to regulate movement of the glide mechanism.





Assembly

Unpacking and Checking Contents

Unpacking the Miter Saw – When removing this tool from packaging materials, reach down to the two side carry-handle locations and slowly lift until it clears the package.

Checking Contents in Package – Open the top of the package and look for the included loose parts. Refer to the diagram below.

⚠ WARNING To avoid severe pinching, never lift or move this saw by gripping any component of the mechanism support system.

Some small parts such as the bevel lock lever and miter lock knob require attachment to the tool before it is ready for use – See “Attaching Loose Parts” on page 12.

⚠ WARNING To avoid possible injury, always disconnect plug from power source before performing any assembly, adjustments or repairs.



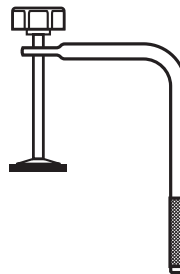
This symbol is placed at various locations on the tool to warn the user of pinch-point areas.

Loose Parts - 1 of each shown Check off for each part

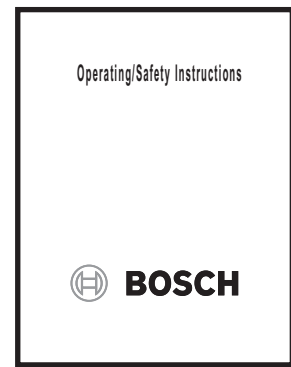
10mm Flat Washer



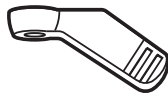
Workpiece Clamp



Manual



Bevel Lock Lever



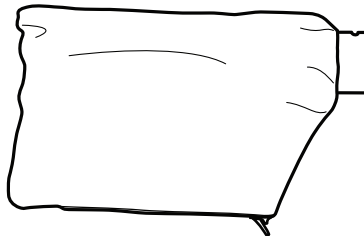
6mm Flat Washer



6mm Lock Nut



Dust Bag



10 mm Socket Tool



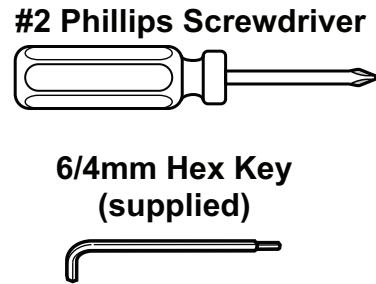
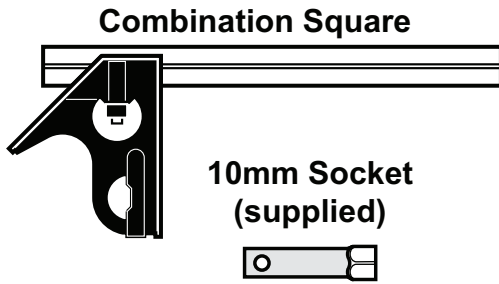
Miter Lock Knob

6/4mm Hex Key



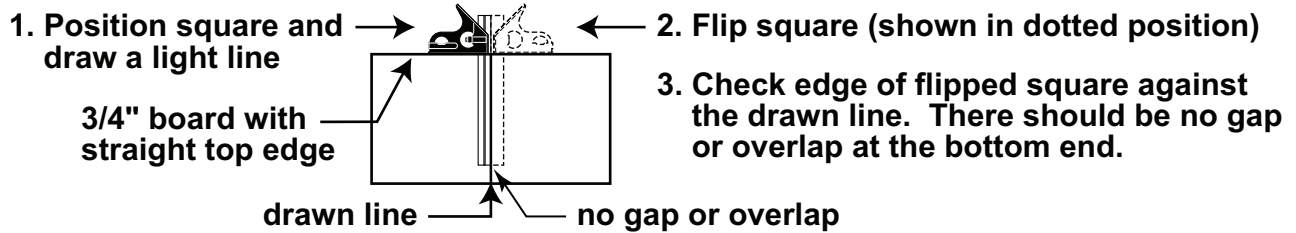
Assembly

Tools Needed for Assembly and Alignment



NOTE: A 6mm and a 4mm hex key can be substituted for the supplied 6/4mm hex key.

Combination Square Must Be True - Checking Combination Square

1. Position square and draw a light line
 2. Flip square (shown in dotted position)
 3. Check edge of flipped square against the drawn line. There should be no gap or overlap at the bottom end.
- 
- 3/4" board with straight top edge
- drawn line
- no gap or overlap

Assembly

Attaching Loose Parts

WARNING To avoid possible injury, disconnect plug from power source before performing any assembly, adjustments or repairs.

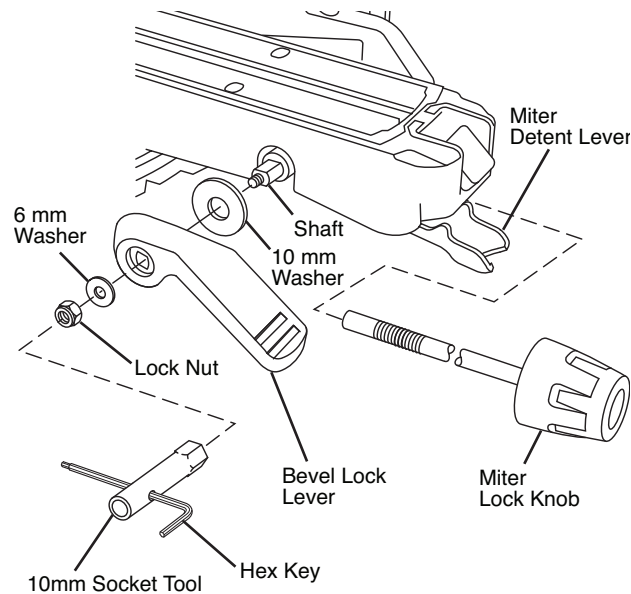


Figure 1

Attaching the Bevel Lock Lever – This miter saw is packaged with the saw head locked at 0° bevel angle. The bevel lock lever must be attached before operating the tool.

1. Slide the 10 mm flat washer over the shaft (area with flats).
2. Slide the bevel lock lever over the shaft, aligning the flats on the shaft to the flats on the lever's mounting hole. The lever should be horizontal with the handle to the front (see Figure 1).
3. Slide the 6 mm flat washer over the shaft (area with screw threads) and against the recessed wall of the lever.
4. Finger-tighten the 10mm lock nut on the shaft. Use the 10mm socket tool to tighten the lock nut. NOTE: The 6/4mm hex key is placed through the holes in the socket tool to assist in tightening.
5. Lift the bevel lock lever and push back down to check that the lever is securely in place.

Attaching the Miter Lock Knob – Locate the miter lock knob from among the loose parts.

1. Look under the turntable's front arm above the lock lever and locate the 10mm hole (see Figure 1).
2. Insert the long shaft of the miter lock knob through this hole until it stops.
3. Turn the knob clockwise (about 10 full revolutions) until it is tight or "locked."

4. Loosen the knob 1/2 turn to unlock it. The table is now free to be moved on the base.

Using the Miter Lock Knob –

1. Loosen the miter lock knob.
2. While holding the knob in your palm, reach down with your index or middle finger and pull up the detent lever. While gripping knob, rotate table left or right to needed miter angle and release the lever.
3. Tighten the knob once you are at the correct angle.

NOTE: It is recommended to tighten the miter lock knob before all cuts. It is required to tighten the knob before cutting at any angle between detent engagements or when the miter detent override system is in use.

Storing the 6/4mm Hex Key – There is a storage location on the saw to store the 6/4mm hex key. Insert the short leg of the hex key through the rubber grommet as shown. Place the long leg into the tool rest and press down into the retainer clip (see Figure 2).

NOTE: The 6/4mm hex key is needed to change the blade and to make tool adjustments. If lost, two separate hex keys may be substituted: a 4mm hex key and a 6mm hex key.

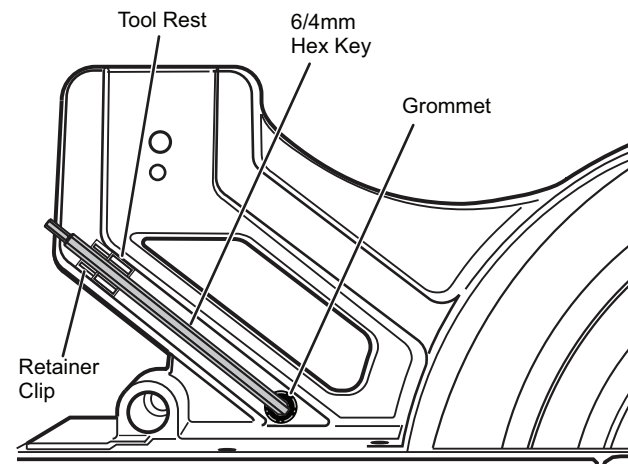


Figure 2. Hex Key Storage

Assembly

Removing and Installing Blades

⚠ WARNING To avoid possible injury, disconnect plug from power source before performing any assembly, adjustments or repairs.

Moving Guard Assembly

1. Position the saw in the UP position and at 0° bevel. If in the DOWN position, press down slightly on the saw head assembly and pull out the head assembly lock pin (item 43, page 9); then allow the saw head to come up (see Figure 3).
2. Unscrew the link knob (item 28, page 9) by hand from the pivot post and allow the link assembly to hang. The link knob will stay on the link.
3. Loosen front cover plate screw two turns using the 6/4mm hex key. Do not remove screw. A 4mm hex key may be used as an alternate.
4. Loosen rear plate screw six full turns using the 6/4mm hex key. Do not remove screw.
5. Slide the cover plate down and out from the rear screw. Rotate the cover plate and lower guard counterclockwise around the front screw. While holding the lower guard up against the upper guard, move the link so its round hole can go over the rear screw – let go and the lower guard assembly will be held out of the way (see Figure 4).

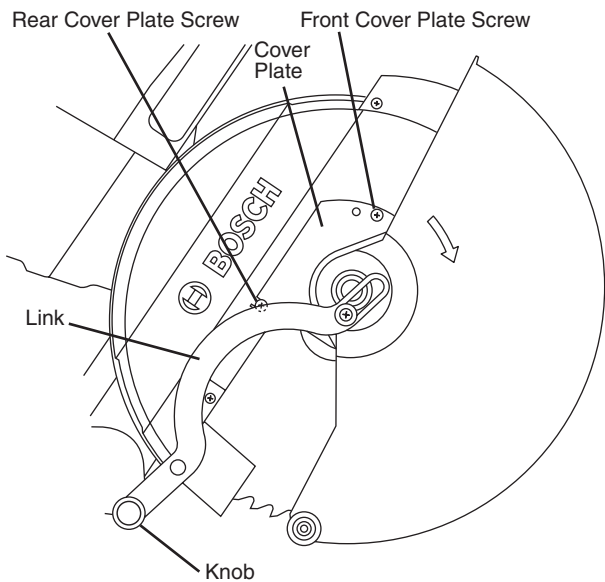


Figure 3

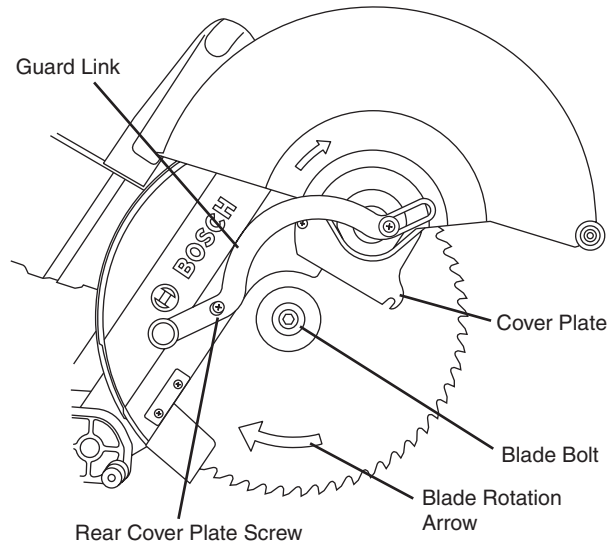


Figure 4

Removing Blade

1. Press and hold the arbor lock (red button on opposite side of upper guard – item 42, page 9). Rotate the blade slowly while pressing the arbor lock until it fully seats into its lock position.
2. Using the 6/4mm hex key, loosen the blade bolt by firmly turning it **clockwise**. NOTE: This bolt has left-hand threads.
3. Remove the blade bolt and outer washer. Carefully grab the blade. Slide the blade away from the inner washer and off the arbor shaft, then down and away from the saw. Leave the inner washer on the arbor shaft (see Figure 5).

Assembly

Removing and Installing Blades

⚠ WARNING To avoid possible injury, disconnect plug from power source before performing any assembly, adjustments or repairs.

Installing 12" Blade

⚠ WARNING To avoid injury, do not use a blade larger or smaller than 12" diameter and 1" arbor. The blade's maximum plate thickness is 0.100".

⚠ WARNING To reduce risk of injury, use saw blade rated 3800/min (RPM) or greater.

1. Follow all "Moving Guard Assembly" and "Removing Blade" steps.
2. Carefully handle the new blade. Check that the rotation arrow on the blade matches the rotation arrow on the lower guard. Slide the blade up and between the sides of the chip deflector and over the arbor shaft. Move the blade so its arbor hole goes around the support ring of the inner washer (see Figures 4 and 5).
3. Place the outer washer over the arbor shaft and finger-tighten the blade bolt (counterclockwise). Check that the blade remained on the inner washer's support ring.
4. Rotate the blade slowly while pressing the arbor lock until it fully seats into its lock position.
5. Using the 6/4mm hex key, firmly tighten the blade bolt **counterclockwise**. NOTE: This bolt has left-hand threads. Do not over tighten. A 6mm hex key may be used as an alternate.
6. Remove the lower guard link from the rear cover plate screw. Rotate the lower guard and cover plate around the front cover plate screw until the cover plate's slot slides under the rear cover plate screw head. Fully tighten both cover plate screws using the 6/4mm hex key.
7. Place the lower guard link back to the original position, then firmly finger-tighten the link knob to the pivot post. It may be necessary to retract the lower guard while tightening the link knob.
8. Be sure the arbor lock is released so the blade turns freely.
9. Place the 6/4mm hex key back in storage area.

⚠ WARNING Tighten the cover plate screws. Loose cover plate screws may interfere with and hang up lower blade guard. Never use saw without cover plate securely in place. Lower guard will not function properly.

⚠ WARNING After installing a new blade, make sure the blade does not interfere with the table insert at 0° and 45° bevel positions. Lower the blade into the blade slot and check for any contact with the base or turntable structure. If the blade contacts base or table, seek authorized service.

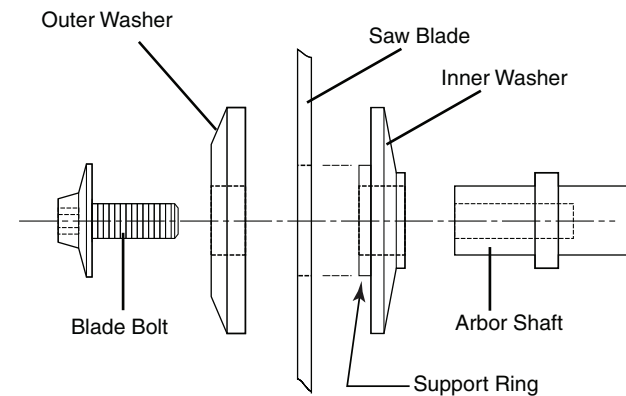


Figure 5. Blade Hardware

Assembly

Assembling Dust Collection System

⚠ WARNING To avoid possible injury, disconnect plug from power source before performing any assembly, adjustments or repairs.

The dust collection system used on this tool is unique because it is not attached to the upper guard. This placement provides superior dust collection for the majority of cuts. When adjusting or removing any dust collection components, be sure the saw is unplugged.

Elbow

The elbow is attached to the top of the dust chute. **NOTE:** It is recommended that the elbow is always in place before operating the tool – it is required to direct dust and debris away from the operator. The elbow can be rotated in place. The elbow supports the dust bag or can be connected to a vacuum cleaner.

Removing Elbow – For cleaning, the elbow may be removed by pulling up and twisting until it is free of the dust chute. Reattach the elbow by pressing and twisting until it snaps over the chute's molded-in retaining ring. Always reattach before using the saw.

Attaching and Adjusting the Dust Bag

Attaching (and Removing) Dust Bag – The elbow has pins on the top and bottom of the exit port which will engage the coupler end of the dust bag assembly. To attach the dust bag, align the coupler's slots with the elbow's pins, then push and twist it clockwise. To remove the dust bag, twist the coupler counterclockwise, then pull off – always leave the elbow on the dust chute (see Figure 6).

Adjusting Dust Bag – After attaching the bag, it is recommended to do a "dry cut" before cutting with the saw – this means: unplug the tool, preset it for intended cut and practice the cut. For some bevel cuts, the sliding fence may have to be moved or removed to avoid being cut or making contact with the dust bag. The bag's position may also need a rotating adjustment if it contacts the workpiece during a slide cut.

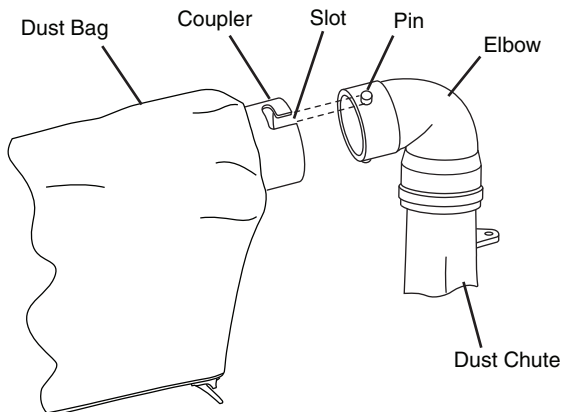


Figure 6

Using and Cleaning the Dust Bag

Using Dust Bag – Attach the clean bag to the elbow. Adjust the elbow and dust bag, if necessary, so they do not interfere with the tool during the intended cutting operation.

Cleaning Dust Bag – After the dust bag is 2/3 to 3/4 full, remove it from the saw. Bring the bag to a proper container and pull open the zipper located on the bottom of the bag. Hold the bag by the coupler end and shake it vigorously until all the dust and debris fall from it. Close zipper and reattach the bag. **NOTE:** Clean the bag at the end of the cutting session and before transporting or storing the saw (see Figure 7).

⚠ WARNING Be extremely careful when disposing of dust. Materials in fine particle form may be explosive. Do not throw sawdust on an open fire. Spontaneous combustion, in time, may result from the mixture of oil or water with dust particles.

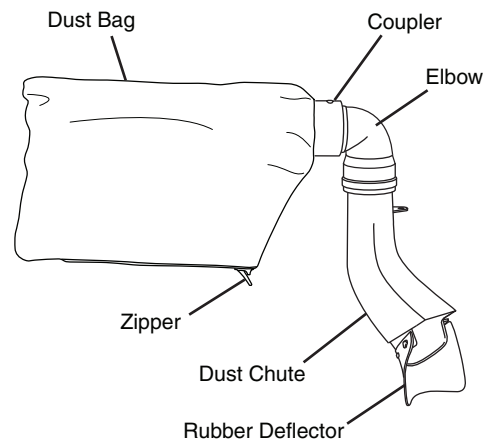


Figure 7

Assembly

Assembling Dust Collection System

⚠ WARNING To avoid possible injury, disconnect plug from power source before performing any assembly, adjustments or repairs.

Attaching a Vacuum Cleaner

The elbow has an exit port which will accept a standard 35mm diameter vacuum fitting or a 1-1/4" tube diameter. The 35mm diameter fitting is the standard size used on the Bosch Airsweep™ Vacuum Cleaners, Models 3931 and 3931A. For larger vacuum tube sizes, use an adaptor.

Attaching to Vacuum – Insert the vacuum fitting or tube into the elbow's exit port as far as it will go. Check to see that the vacuum hose is free from the mechanism and cutting path before plugging saw into power source.

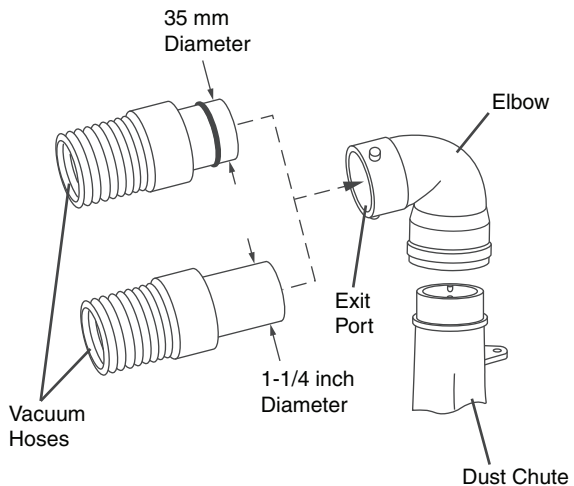


Figure 8. Attaching Vacuum Cleaner

Repositioning or Removing the Rubber Deflector

The rubber deflector extends the range of dust and debris collection and should be left on the tool for maximum dust pickup efficiency. When slide cutting extra-tall materials (more than 2-13/16" high), the rubber deflector will contact and flex over these materials. It will also contact and flex when the saw is pulled back before the cut. It will return to its original shape after the cut.

Repositioning Deflector – If the operator wants to avoid the contact of the rubber deflector with the material, the deflector can be temporarily folded up and over the back of the dust chute. If the operator permanently wants no contact of the deflector with the material being cut, the deflector may be removed.

Removing Deflector – Pull one of the deflector's tabs to the front and then sideways until it comes off one of the dust chute's side hooks (see Figure 9). Unhook the opposite side. Then unhook the deflector from the rear post of the chute by pulling and stretching until it is free. NOTE: Removing the deflector lowers dust collection capability.

Attaching Deflector – Start by stretching and hooking the deflector over the rear post, followed by hooking over each side hook (see Figure 10).

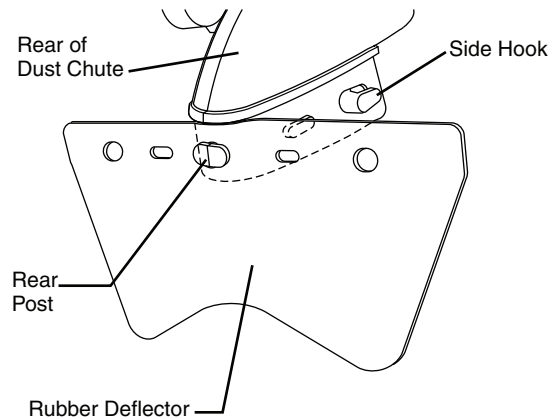


Figure 9.
Attaching Rubber Deflector on Rear Post

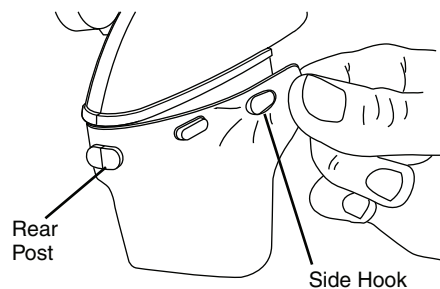


Figure 10.
Attaching Rubber Deflector on Side Hooks

Adjustments

Using the Head Assembly Lock Pin

⚠ WARNING To avoid possible injury, disconnect plug from power source before performing any assembly, adjustments or repairs.

Head Assembly Lock Pin

The head assembly lock pin (item 43 - page 9) is located on the right side of the pivot post (item 34 - page 9). It is used to hold the saw's head assembly in the DOWN position. This position prevents the head from bouncing up and down during transportation. This also makes the saw more compact for lifting and storage. This position is also required for some calibrating procedures.

To Engage the Head Assembly Lock Pin

1. Check that the depth stop plate (item 33 - page 9) is disengaged, or pressed in to the left position.
2. Grasp the saw's main handle (item 3 - page 8) and press down on the head assembly.
3. While pressing the saw head down, push in on the head assembly lock pin. Release the head assembly. The head will be locked in the DOWN position (see Figure 11).

To Disengage the Head Assembly Lock Pin

1. Grasp the main handle and press down on the head assembly.
2. While pressing the head down, pull out the head assembly lock pin. Release the lock pin, but maintain your grip on the main handle. Slowly allow the spring-loaded saw head to come up to the top of its travel and then release the handle.

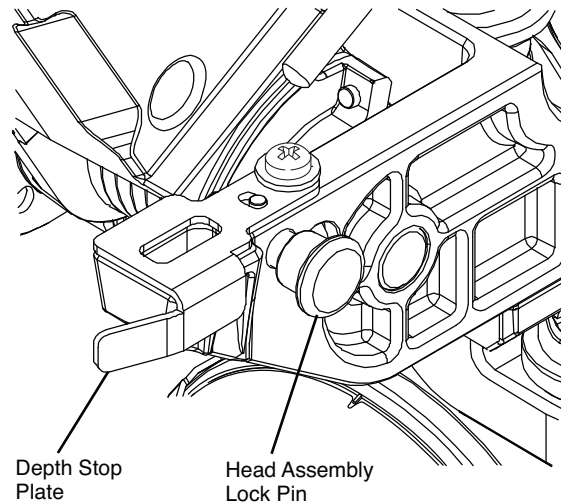


Figure 11

Using the Glide Movement Controller

To Adjust the Glide Movement Controller

The glide movement controller is attached to the upper joint of the glide mechanism; it is designed to control the smoothness of the saw's glide action. When assembled at the factory, the controller is not adjusted; therefore, the movement is very smooth. To adjust the glide mechanism's smoothness, slightly tighten or loosen the two screws at the top by using the 6/4mm hex key or a 4mm hex key (see Figure 12).

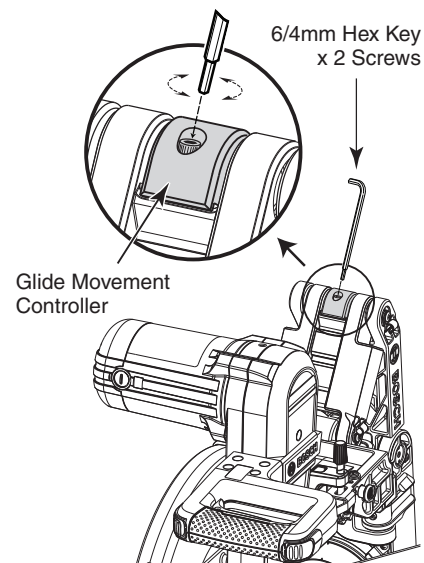


Figure 12

Adjustments

Using the Mechanism Lock Lever

⚠ WARNING To avoid possible injury, disconnect plug from power source before performing any assembly, adjustments or repairs.

Mechanism Lock Lever

The lock lever (item 27 - page 9) is located on the rear left side of the mechanism.

When engaged, it locks the system (item 35 - page 9) in either the full forward or the full back position and prevents movement while transporting the saw. When held in the full back position, the saw is more compact for lifting and storage. The full back position is often used while performing chop cuts.

To Engage the Lock Lever

With Saw in the Full Back Position –

1. Grasp the saw's main handle (item 3 - page 8) and push (slide) the head assembly back as far as it goes. The upper housings will be upright and closed.
2. Lift the tab on the lock lever to engage its wedge into the joint area between the two lower housings. Release the lock lever tab and the main handle. The head assembly will be locked in the full back position.

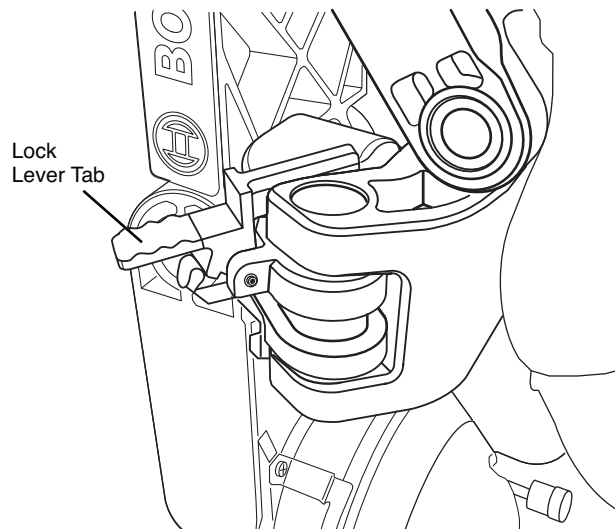


Figure 13.
To Engage in Back Position

With Saw in the Full Forward Position –

1. Grasp the main handle (item 3 - page 8) and pull (slide) the head assembly toward you as far as it goes. The mechanism will be fully extended.
2. Lift the tab on the lock lever to engage its wedge into the joint area between the two lower housings. Release the lock lever tab and the main handle. The head assembly will be locked in the full forward position.

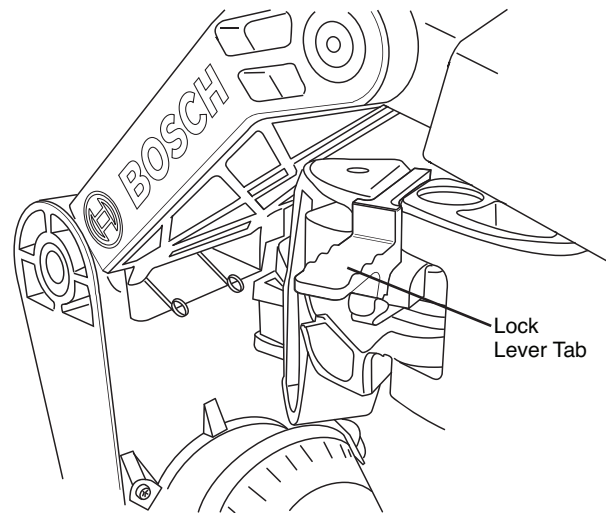


Figure 14

To Release the Lock Lever

From Back or Forward Positions –

1. Grip the tab on the lock lever and press down until its wedge comes out from between the two lower housings. Release your grip; the mechanism is now free to slide forward and back.

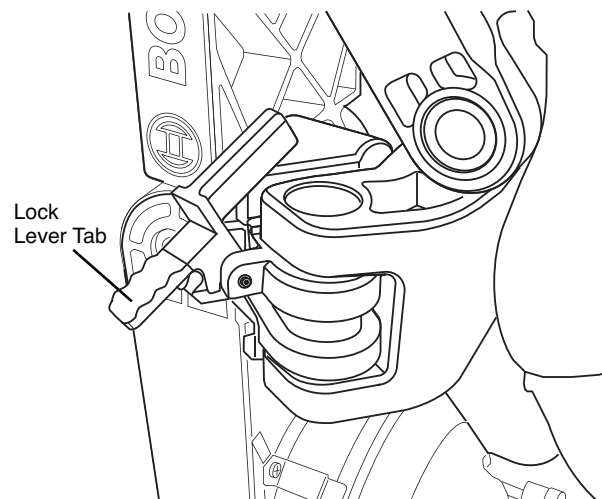


Figure 15.
To Release in Front or Back Position

Adjustments

Depth of Cut Adjustment

⚠ WARNING To avoid possible injury, disconnect plug from power source before performing any assembly, adjustments or repairs.

When a new blade is installed, it may be necessary to check the clearance of the blade to the turntable structure. The depth stop plate is a feature provided to allow for (normal) full-depth cuts or non-through cuts used to cut grooves.

Setting Blade Depth for Normal Full-Depth Cuts

1. When making normal full-depth cuts, push the depth stop plate in toward the saw head (see Figure 16). This will allow the depth stop screw to pass through the hole in the plate.
2. Check for full depth of cut:
 - Set table at 0° miter and push saw fully back.
 - Pull out head assembly lock pin to the release position.
 - Push down saw head and watch the depth stop screw pass through the stop plate without any binding or contact with the plate.

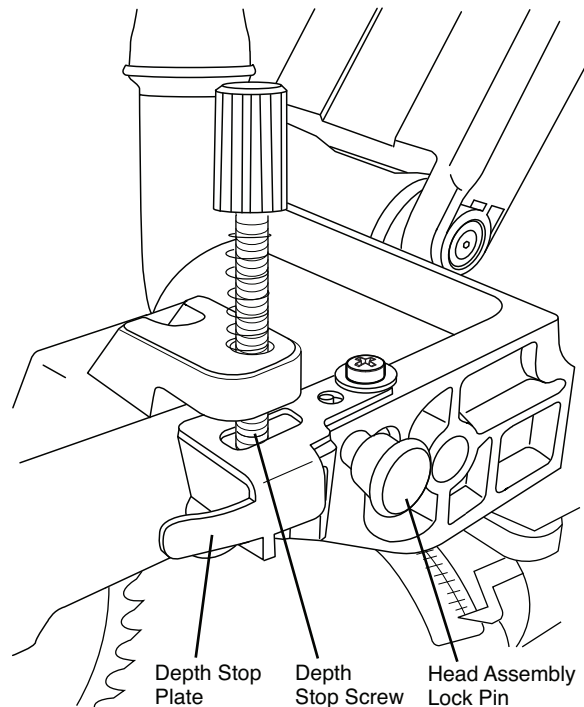


Figure 16

Setting Blade Depth for Non-Through Cuts for Cutting Grooves

NOTE: For best results, Bosch recommends the use of a table saw with an optional dado blade set for cutting grooves and non-through cuts. In the event this is not available, the feature described below is a convenient alternative.

1. Release (pull out) the head assembly lock pin and allow the saw head to move fully up. Slide saw head to the full back position.
2. Pull the depth stop plate out away from the saw head (see Figure 17).
3. Grip the main handle (item 3, page 8) and push down the saw head while watching the depth stop screw contact the top surface of the depth stop plate. The screw will not pass through the hole in the plate.
4. Turn the knob at the end of the depth stop screw (while the threaded end is in contact with stop plate) and watch the bottom of the saw blade move. This adjustment sets the depth of cut.

See page 44 for "Cutting Grooves" instructions.

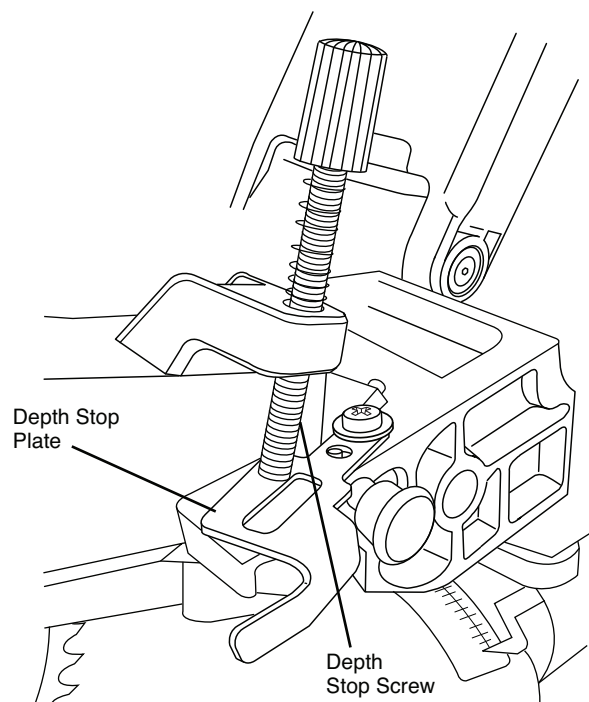


Figure 17

Adjustments

Miter Detent System – Adjustment Procedure

Calibrating Miter Detent System

1. Engage the miter detent at the 0° position. Loosen the miter lock knob 1/2 turn.
2. Look for four round holes in the miter scale plate. In each hole is a screw. Use the small end of the 6/4mm hex key or a 4mm hex key to loosen all four screws 1 to 2 turns. This will loosen the miter detent plate (see Figure 18).

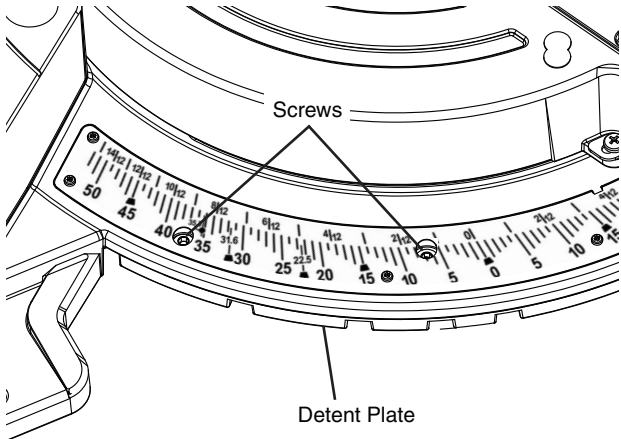


Figure 18

3. Lock saw down using the head assembly lock pin (item 43 – page 9).
4. Hold one side of a 90° combination square against the fence and rotate the table (and detent plate) until the side of the saw blade is in full contact with the other side of the square.

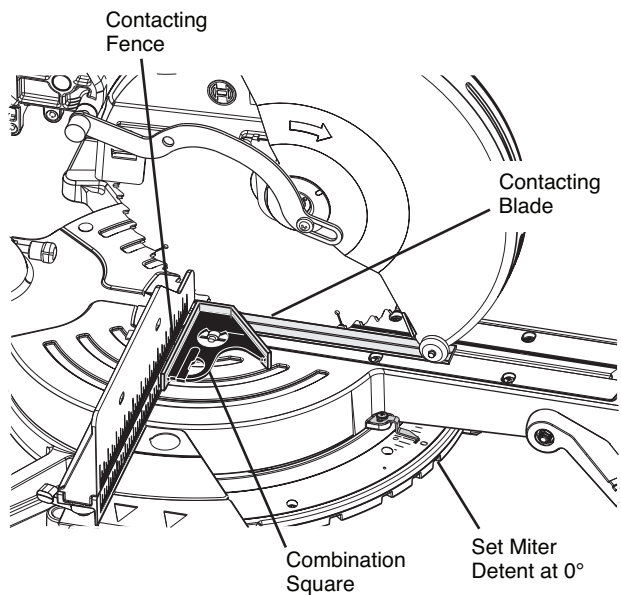


Figure 19

5. Tighten all four screws – loosen and reset the miter scale pointer to the “0” position.

Miter Scale Pointer Adjustment

1. Rotate table to 0° position and lock in place.
2. Raise the head assembly to the full UP position.
3. Loosen the pointer adjust screw that holds the miter scale pointer in place (see Figure 20).
4. Position the pointer to align with the 0° line. Tighten the screw.

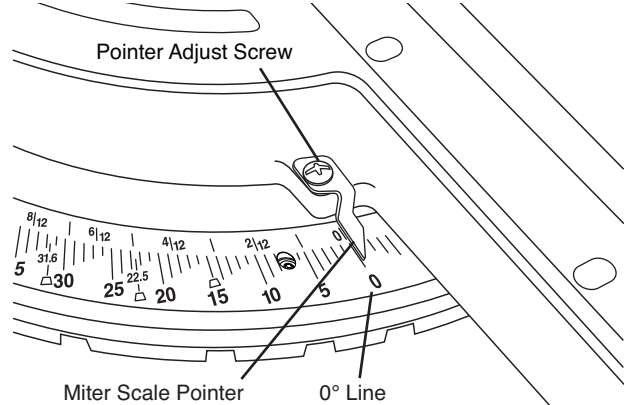


Figure 20. Miter Scale Adjustment

Kerf Insert Adjustment

The kerf inserts should be adjusted close to the blade, but without touching the blade, to avoid tear-out on the bottom of the workpiece.

1. Hold the saw head assembly down and push in the head assembly lock pin (item 43 – page 9) to keep the saw in the DOWN position.
2. Loosen the six kerf screws using a #2 Phillips screwdriver.
3. Adjust the kerf inserts as close to the blade (teeth) as possible without touching the blade.
4. Tighten the kerf screws.

NOTE: At extreme bevel angles, the saw blade may slightly cut into kerf insert.

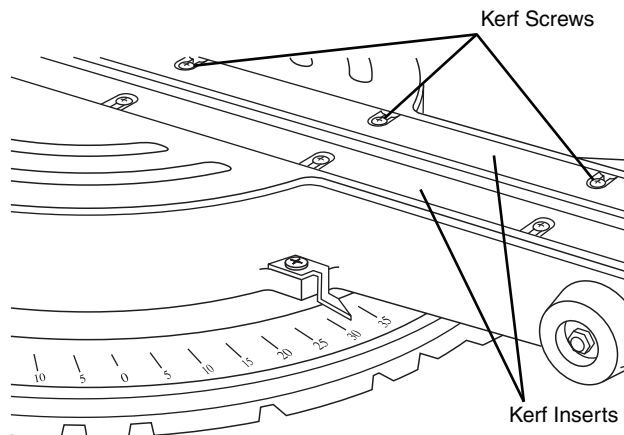


Figure 21. Kerf Inserts

Adjustments

0° Bevel Stop – Adjustment Procedure

⚠ WARNING To avoid possible injury, disconnect plug from power source before performing any assembly, adjustment or repair.

Checking 0° Bevel Stop Setting

1. Hold the saw head assembly down and push in the head assembly lock pin (item 43 – page 9) to keep the saw in the DOWN position.
2. Slide the head assembly completely to the back and engage the lock lever (item 27 – page 9) by lifting up the finger tab.
3. Rotate the table to the 0° miter position.
4. Pull up the bevel lock lever to loosen.
5. Check the position of the bevel range selector knob; it should be at the “0-45° Left” position.
6. Tilt the saw assembly to the left (counterclockwise), then rotate to the right (clockwise) until it hits the stop in the vertical position – this is where the saw is currently set to make a 0° cut.
7. Push down the bevel lock lever to lock the angle position.
8. Use a combination square to check that the blade is 90° (square) to the table. Place the square’s ruler edge against the table and slide it to contact the blade with the vertical side of the square’s head (see Figure 22).

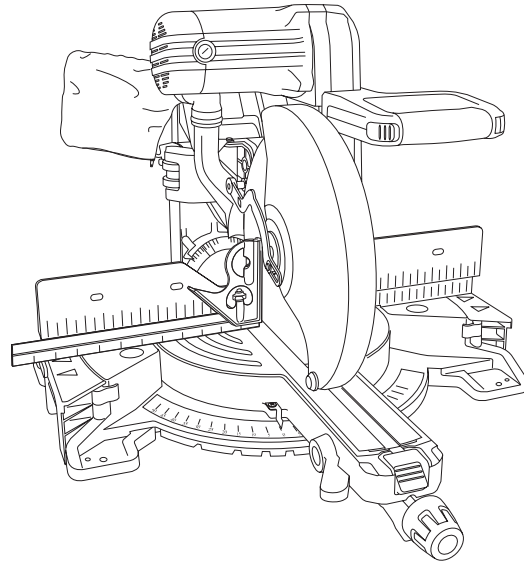


Figure 22

9. Check that the saw blade’s plate (not teeth) is touching the square’s 90° side. If the saw blade’s plate is not in full contact with the square’s body 90° side, follow the “Adjusting 0° Bevel Stop” procedures.

Adjustments

0° Bevel Stop – Adjustment Procedure

⚠ WARNING To avoid possible injury, disconnect plug from power source before performing any assembly, adjustment or repair.

Adjusting 0° Bevel Stop (Blade 90° to Table)

1. Pull up the bevel lock lever to loosen.
2. Loosen bolt heads “A” and “B” using a 10mm open end wrench or socket (with socket wrench). Loosen bolts at least one full turn (see Figure 23).
3. Loosen set screw “D” using the 4mm end of the 6/4mm hex key (provided with tool, but may also use a standard 4mm hex key). Loosen screw at least three full turns.

4. Place combination square on table and against blade (see Figure 22).
5. Using the 4mm end of hex key, turn set screw “C” and watch the saw blade tilt. Turn screw “C” until the blade is aligned (full contact) with the square’s body’s edge. After aligning, remove hex key.
6. Tighten set screw “D” using 4mm hex key.
7. Tighten bolt heads “A” and “B” using 10mm open end wrench.
8. Adjust bevel scale pointers (item 36 – page 9) to be in line with the bevel scale’s 0° lines.
9. Push down the bevel lock lever to lock.

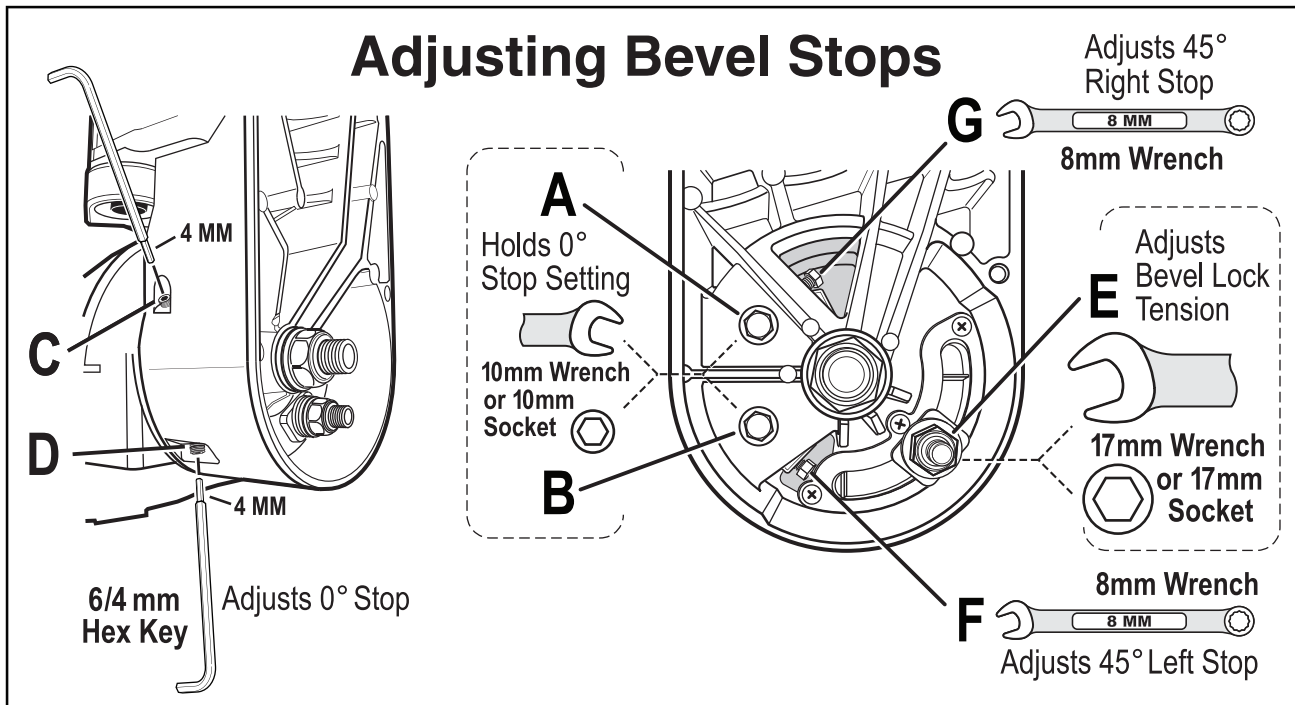


Figure 23

Adjustments

45° Bevel Stop – Adjustment Procedure

⚠ WARNING To avoid possible injury, disconnect plug from power source before performing any assembly, adjustment or repair.

Checking 45° Bevel Stop Setting

1. Hold the saw head assembly down and push in the head assembly lock pin (item 43 – page 9) to keep the saw in the DOWN position.
2. Slide the head assembly completely to the back and engage the lock lever (item 27 – page 9) by lifting up the finger tab.
3. Rotate the table to the 0° miter position.
4. Pull up the bevel lock lever to unlock. Move the left sliding fence fully to the left.
5. Check the position of the bevel range selector knob; it should be at the “0-45° Left” position.
6. Tilt the saw assembly to the left (counterclockwise) until it hits the 45° stop – this is where the saw’s 45° stop is set to make a 45° left bevel cut.
7. Use a combination square to check that the blade is 45° to the table. Remove the rule blade from the combination square. Place only the combination square’s head on the saw’s table with its long flat side resting on the table and its 45° side against the tilted blade (see Figure 24).

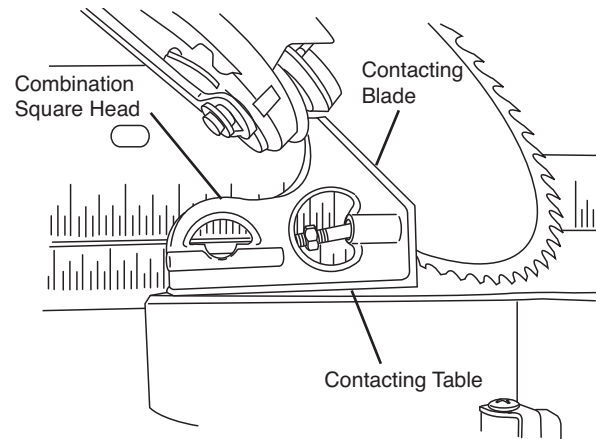


Figure 24

8. Check that only the saw blade’s plate (not teeth) is touching the square’s 45° side. If the saw blade’s plate is not in full contact with the square’s head 45° side, follow the “Adjusting 45° Bevel Stop” procedures.

Adjustments

45° Bevel Stop – Adjustment Procedure

⚠ WARNING To avoid possible injury, disconnect plug from power source before performing any assembly, adjustment or repair.

Adjusting 45° Bevel Stop (Saw Blade 45° to Table)

1. Pull up the bevel lock lever to unlock. Move the left sliding fence fully to the left.
2. Tilt the saw assembly to the left (counterclockwise) until it hits the 45° stop.
3. Place only the combination square's head on the saw's table with its long flat side resting on the table and its 45° side against the tilted blade.
4. Place an 8mm open end wrench on bolt head "F" (see Figure 25).
5. While turning bolt "F," watch the blade tilt – turn "F" until the saw blade plate is in full contact with the 45° side of the square's head (see Figure 24).
6. If needed, adjust bevel scale pointers (item 36 – page 9) to be in line with the bevel scale's 45° lines. First, adjust right bevel pointer; then tilt saw head to the right 45° stop position (see page 41 – "Bevel Range 2 = 0-45° Right") and adjust the left bevel pointer. Tilt the saw head to the 0° position – both pointers should be on the bevel scale's 0° lines.
7. Push down the bevel lock lever to lock at the desired bevel angle.

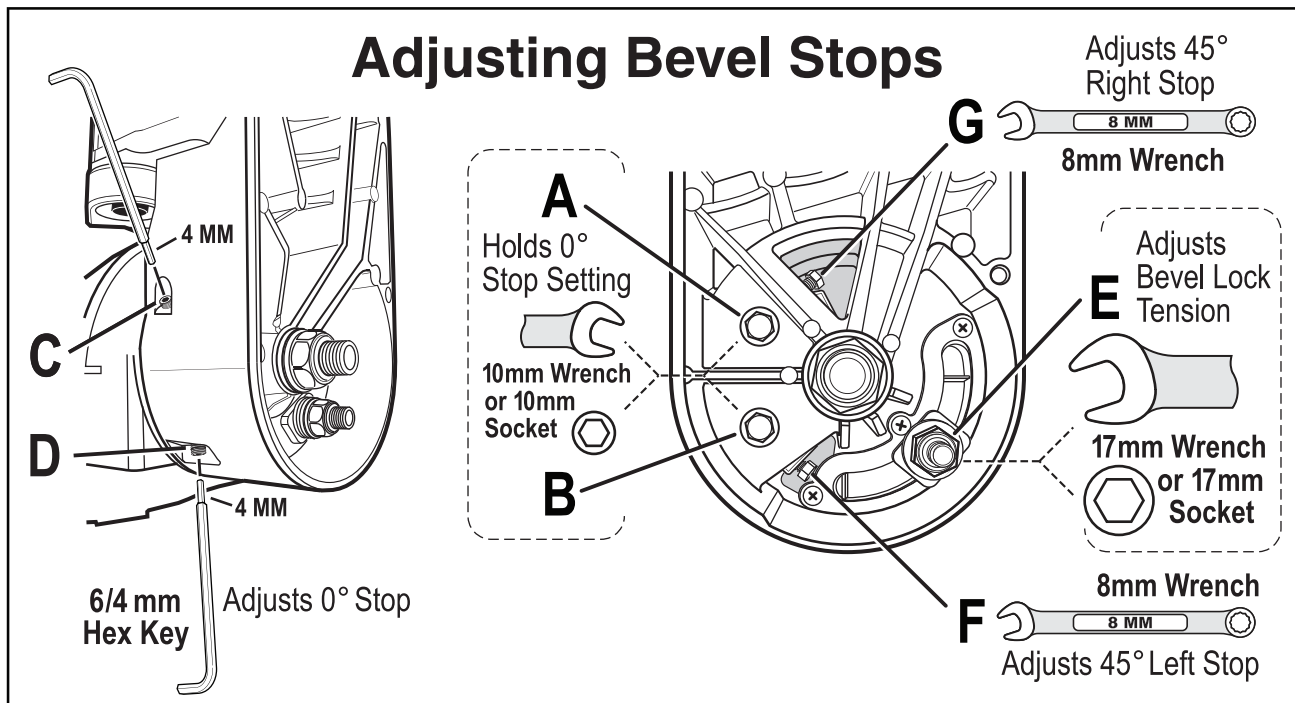


Figure 25

Adjustments

Adjusting Bevel Lock Tension

Checking Bevel Lock Tension

1. Pull up the bevel lock lever to release tension. If it feels too hard to pull up, an adjustment may be required.
2. Check the tilt resistance. Grab main handle and slowly tilt the saw to the left. While tilting, some resistance should be felt. At approximately 30°, the resistance should become lower. If little or no resistance is felt, an adjustment may be required.
3. Check bevel lock tension. Push down on the bevel lock lever – normally more pressure is needed at the start; then the lever should go fully down to the lock position with a “thump”.
 - A) If it is too hard to push the lever fully down, then it may require tension adjustment.
 - B) Check locking power: Tilt the saw to about 30° and push down on bevel lock lever. Firmly press on the right side of the saw head - If the saw head tilts more than 1/2° from the locked position, then the bevel lock tension needs adjustment.

Adjusting Bevel Lock Tension

The bevel lock lever tension has been set at the factory. After extensive use of the tool, it may require an adjustment. Before adjusting tension, the tilt resistance should be set.

1. Pull up the bevel lock lever to release tension.
2. **Adjusting Tilt Resistance** (see step 2 above).
 - A) If resistance is too low, slightly tighten (1/16th turn) the large lock nut “H” using a 24mm socket or wrench.
 - B) If resistance is too high, slightly loosen (1/16th turn) the large lock nut “H” using a 24mm socket or wrench.

3. **Adjusting Tension** (see steps 1 and 3 above) Pull up and push down the bevel lock lever.
 - A) If the lever is too hard to pull or push, the tension can be decreased by using a 17mm socket or wrench to loosen lock nut “E” (1/8th turn). Check again.
 - B) If the lever is too easy to pull or push or if the saw head does not fully lock at a bevel setting, then the tension can be increased by using a 17mm socket or wrench to tighten lock nut “E” (1/8th turn). Check again.

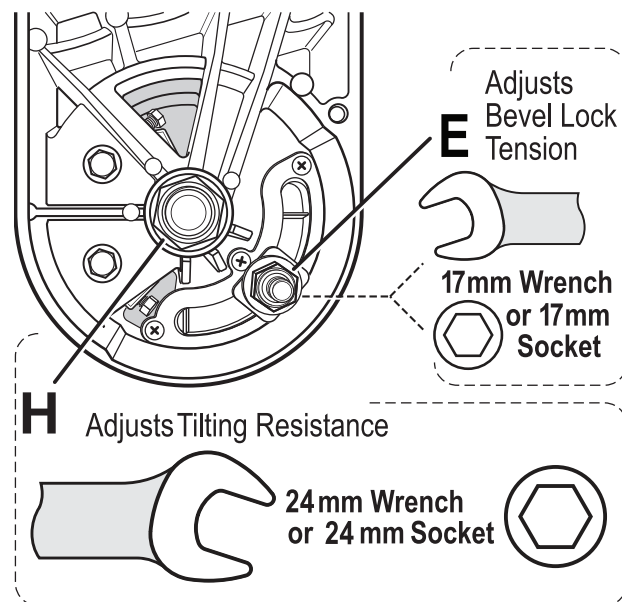


Figure 26

Adjusting Front Stabilizing Bolt

The front stabilizing bolt is located on the bottom of the saw's base near the 0° miter detent slot (Figure 26a). It provides additional support when making slide cuts.

The stabilizing bolt has been factory set. If it is loose or needs adjustment, follow these steps:

1. Move the saw so that you have easy access to the bolt area. Loosen the stabilizing bolt and the jam nut using a 10mm wrench.
2. Place the saw back on your work table. Unscrew the stabilizing nut until it contacts the table.
3. Move the saw again so that you have access to the bolt area. While holding the head of the bolt with a 10mm wrench or pliers, use a 10mm open end wrench to fully tighten the jam nut against the boss in the saw's base.

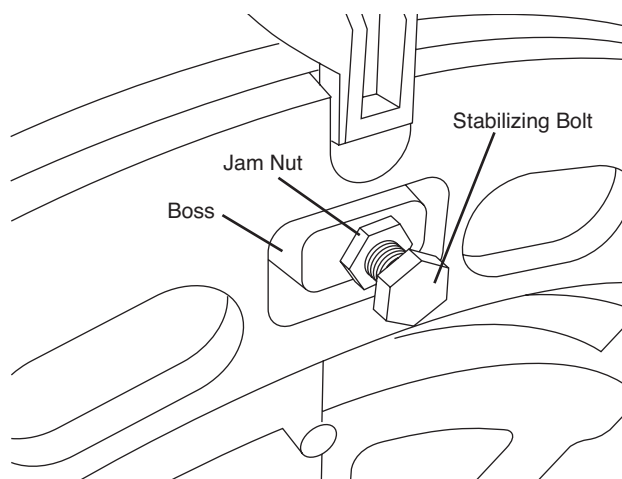


Figure 26a

Transporting and Mounting

WARNING To avoid injury, follow all statements identified below by the BULLET (●) symbol.

- Never lift this saw by grasping the base extensions when they are in the extended position.
- Unplug electric cord and wind up. Use the hook and loop strap to hold the wrapped cord together.
- Never lift the saw by gripping any of the mechanism parts. The saw may move and cause severe injuries to your fingers or hands.
- To avoid back injury, hold the tool close to your body when lifting. Bend your knees so you can lift with your legs, not your back. Lifting the saw from the back is the preferred method. This will tip the tool toward your body.
- Never lift tool by holding switch handle. This may cause serious damage.
- Never lift the miter saw by the power cord or the operational handle. Attempting to lift or carry the tool by the power cord will damage the insulation and the wire connections, resulting in electric shock or fire.
- Place the saw on a firm, level surface where there is plenty of room for handling and properly supporting the workpiece.

ONLY lift this saw by the cast-in carry handles at each side of the bottom of the base (see Figure 27).

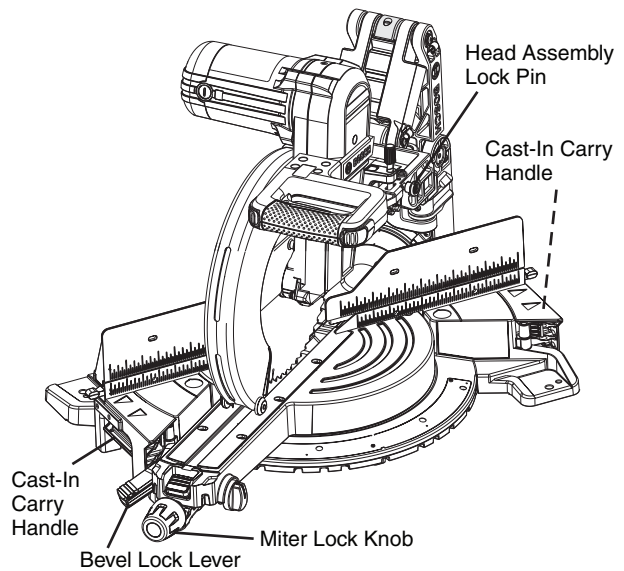


Figure 27

Lifting Saw from Rear

1. Set bevel angle at 0° and lock in place using the bevel lock lever.
2. Rotate table to the extreme left position and lock in place using miter lock knob.
3. Push saw head back and lock in DOWN position using the head assembly lock pin.
4. Engage mechanism lock lever so the saw is locked in the retracted position.
5. Check that each base table extension is in the closed position and locked in place.
6. Use both hands and reach down to grip each cast-in carry handle. Whenever possible, lift from the back of the saw.

Transporting and Mounting

Mounting Applications

Workbench Permanent Attachment

1. Each of the four mounting holes should be bolted securely using 5/16" bolts, lock washers and hex nuts (not included).
2. Locate and mark where the saw is to be mounted.
3. Drill four 5/16" diameter holes through workbench.
4. Place the miter saw on the workbench, aligning holes in base with holes drilled in workbench. Install bolts, lock washers and hex nuts.

Alternate Attachment

The smaller mounting holes at each corner can be used for nails or longer drywall screws.

The supporting surface where the saw is to be mounted should be examined carefully after mounting to ensure that no movement can occur during use. If any tipping or walking is noted, secure the workbench or stand before operating the miter saw.

CAUTION Be careful not to over-drive nail or over-torque the bolt. This could crack foot or damage base.

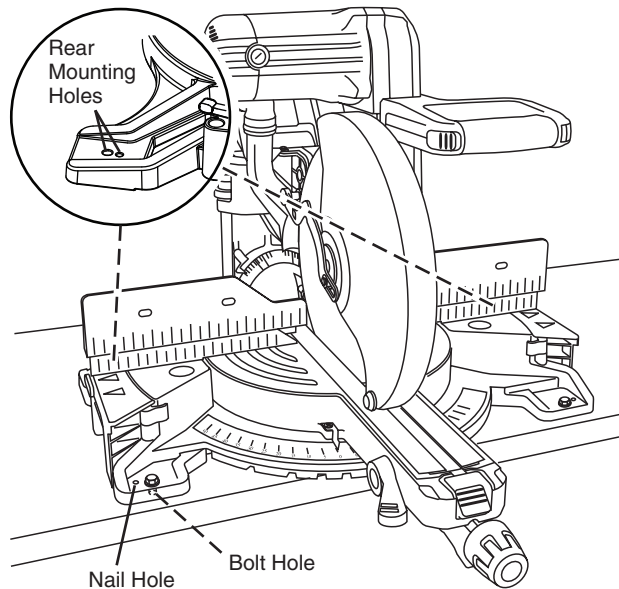


Figure 28. Workbench Mounting

Temporary Mounting Using Clamps

- If necessary, clamp the miter saw to a workbench or table top.
- Place two or more "C" clamps on the clamping areas and secure (see Figure 29). There are clamping areas at all four corners of the saw.
- Be careful not to place clamps over the base extension clamping levers (see Figure 29).
- Mounting with clamps may prevent access to some wide miter angles.

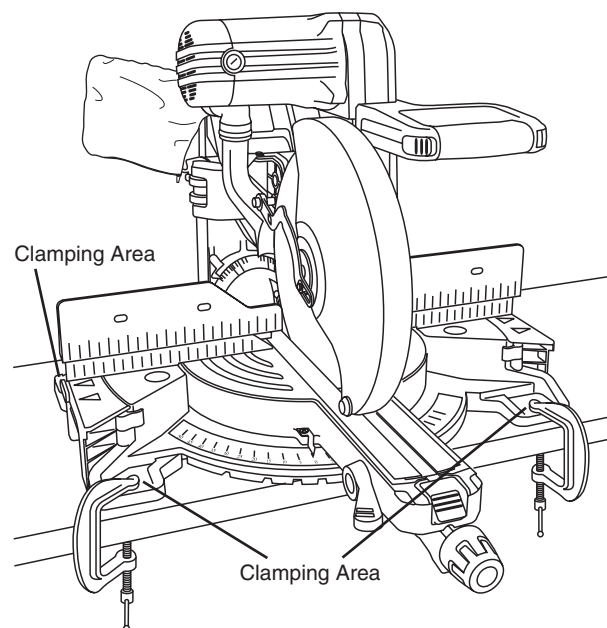


Figure 29. Temporary Mounting Using Clamps

Preparing for Saw Operations

Body and Hand Position

⚠ WARNING Position your body and hands properly to make cutting easier and safer. Failure to follow all instructions, identified below by bullet (●) symbols, may result in serious personal injury (see Figure 30).

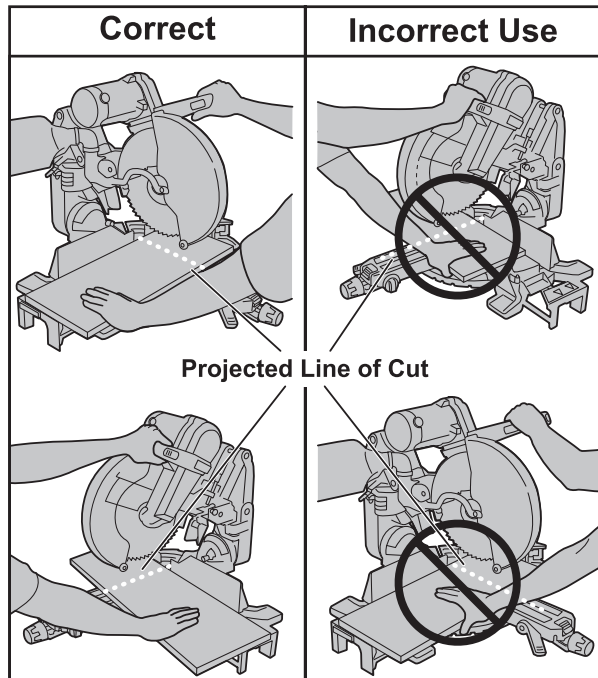


Figure 30. Hand Positions

- Never place hands near cutting area. Keep hands and arms outside the “NO HANDS” zone.

“NO HANDS” ZONE – is defined as the entire table plus the fixed portion of the base on the right and left side of the table and portions of the fence within this boundary. This zone is labeled with “No Hands” symbols placed on the fixed base.

- Be aware of the path of the saw blade. Make a **DRY RUN** with the saw “OFF” by conducting a simulated cutting cycle, and observe the projected path of the saw blade. Keep hands out of the path of saw blade.

DRY RUN – It is important to know where the blade will intersect with the workpiece during cutting operations. Always perform the simulated cutting sequence with the power tool switched “OFF” to gain an understanding of the projected path of the saw blade. Mentally note where the path of the saw blade will fall and set up your work to keep your hands and arms out of the path of the spinning blade. Adjust your clamps and fences so that the smooth lower guard and cutting action is not interfered with during cutting operation (see Figure 30).

- Hold workpiece firmly against table and fence to prevent movement.
- Keep hands in position until trigger has been released and blade has completely stopped.
- Never place hands on mechanism components.
- Keep feet firmly on the floor and maintain proper balance.
- Follow the miter arm when mitering left or right. Stand slightly to the side of the saw blade.

⚠ WARNING The lower guard may not automatically open under certain cutting conditions; for example, when trying to cut workpieces that are near the maximum cutting height capacity. Under these conditions or during the blade travel motion of cut, the workpiece can stop the lower guard movement before the downward motion of the arm could pre-open the lower guard.

If this occurs:

Workpiece must be securely clamped. This frees a hand to raise the guard by the lip just enough to clear the workpiece (see Figure 31).

Start the saw and begin your cut.

Once you have cleared the position where the lower guard may bind, release the guard and it will continue to operate automatically as you cut.

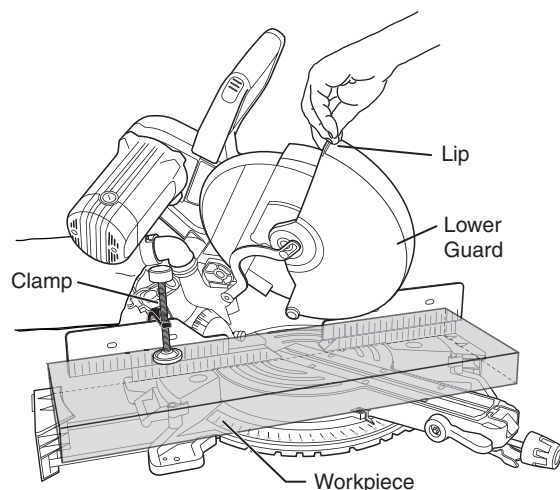


Figure 31. Raising Lower Guard

Preparing for Saw Operations

Workpiece Support

Clamps

Using the Workpiece Clamp – This clamp easily secures a workpiece to the table or base.

1. Insert the clamp's knurled bar down into a clamp post hole; there are two post holes located in the base behind the fence. The knurled end must be in the post at least 1/2".
2. Slide the clamp down until its rubber foot contacts the workpiece.
3. Adjust the clamp height so it does not touch the sliding fence.
4. Rotate the clamp's knob until the workpiece is firmly held in place.
5. Move saw head up and down and forward and back to be sure it clears the clamp.

⚠ WARNING There may be extreme compound cuts where clamp cannot be used. Support workpiece with your hand outside the "No Hands" zone. Do not try to cut short pieces that cannot be clamped and cause your hand to be in the "No Hands" zone.

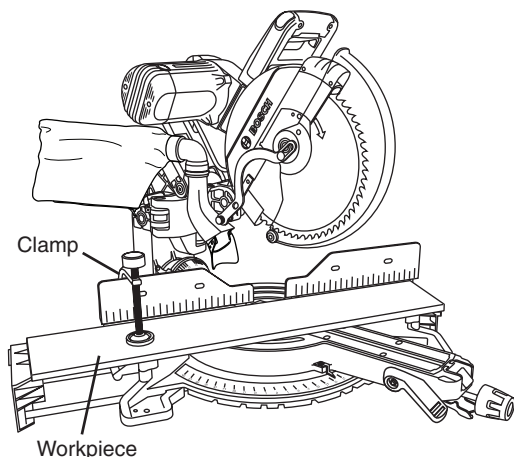


Figure 32. Workpiece Clamp

Clamps – Other hold-down devices such as C-clamps can be used to hold the workpiece firmly against the table and the fence. Make sure the clamps are clear of the cutting path.

Sliding Fences

⚠ WARNING To provide sufficient (minimum 6") spacing from hand to saw blade, extend the sliding fences and base extensions when making extreme bevel, miter or compound cuts.

Operating Sliding Fences

1. Pull the fence lock lever toward front of tool to loosen fence.
2. Slide fence to the desired position.
3. Push the lock lever toward rear of tool to lock fence position.

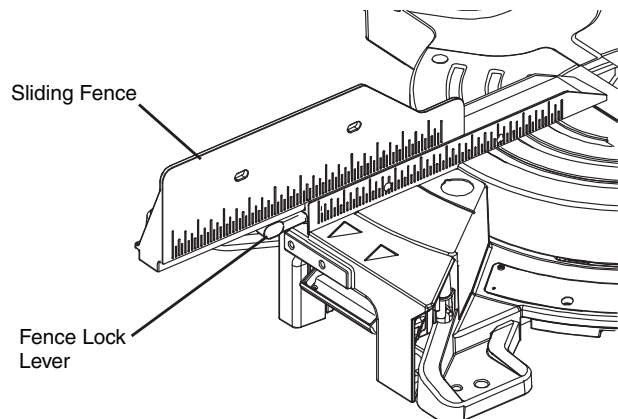


Figure 33

Removing Sliding Fences

1. Lift up on the cover plate tab and rotate it away from the fence.
2. Push the lock lever toward the saw head to loosen the fence.
3. Slide the fence all the way out, away from the saw head.
4. Lift up on the sliding fence to remove.

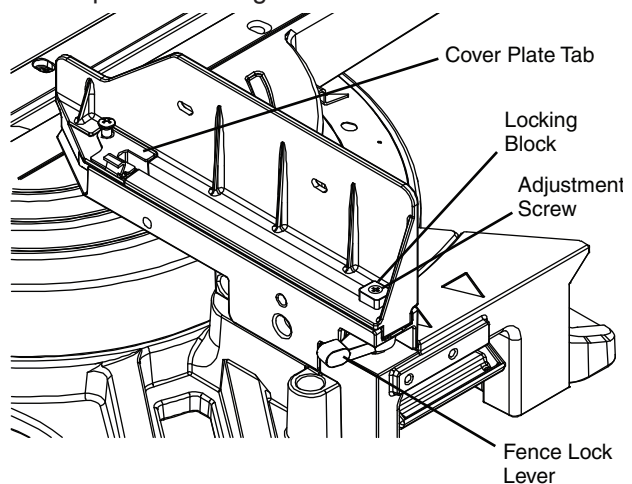


Figure 34

Adjusting Sliding Fence Lock Lever

1. If the sliding fence does not operate as described, it needs adjustment. Remove sliding fence – see above.
2. Push firmly down on the locking block to expose the adjustment screw – Using a #2 Phillips screwdriver, turn the screw 1/12 turn to the next notch in block.
Left Fence: To tighten lock - turn the screw counter-clockwise. To loosen - turn the screw clockwise.
Right Fence: To tighten lock - turn screw clockwise. To loosen - turn screw counter-clockwise.
3. Release the locking block back to its up position.
4. Replace sliding fence by putting its large square hole over the locking block. Slide fence fully in and close the cover plate tab. It should move freely and be locked tightly anywhere along its range of travel.

Preparing for Saw Operations

Workpiece Support

Long Workpiece Support

⚠ WARNING Long workpieces have a tendency to tip over unless clamped down and properly supported from underneath.

Operating Base Extensions – These extensions provide extra workpiece support and are especially useful when cutting long workpieces. To reposition the extensions, simply unlock the base extension lock levers, reposition the extensions and relock the levers (see Figure 35). The left extension lock lever tightens by rotating clockwise and the right lock lever tightens by rotating counterclockwise.

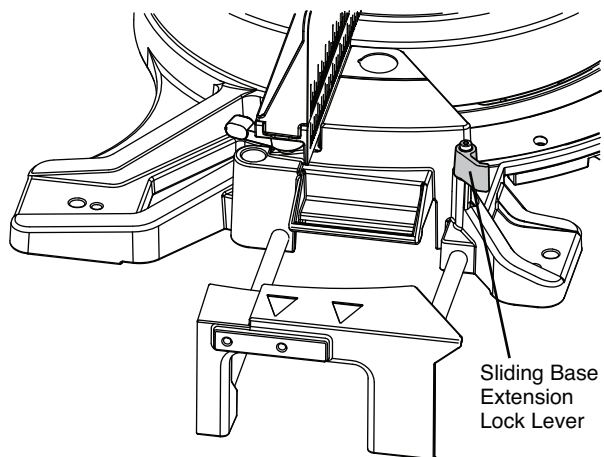


Figure 35. Sliding Base Extensions

Additional Workpiece Support

Blocks – Long pieces need extra support. The base height (3-3/4") is designed to match the standard lumber of two 2xs and one 1x. Boards of these thicknesses can be used to create auxiliary support extensions for long workpieces (see Figure 36).

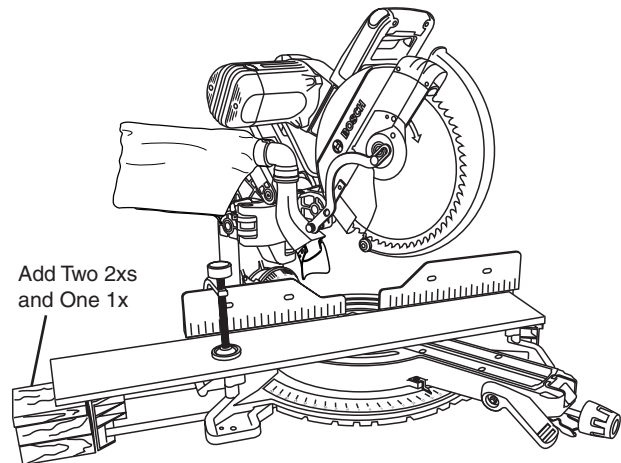


Figure 36. Block Support

Preparing for Saw Operations

Making an Auxiliary Fence

Certain types of molding need a fence face extension because of the size and position of the workpiece. Holes are provided in the fence to attach an auxiliary fence. The auxiliary fence is used with the saw in the 0° bevel position only.

1. Place a piece of wood against the miter saw fence (see Figure 37). Wood can have a maximum height of 5-1/2". Check that auxiliary fence assembly does not interfere with head assembly. See dimension drawing – Figure 38.
2. Mark the locations of the support holes on the wood from the back side of the fence.
3. Drill and countersink the holes on the front of the support board.
4. Fasten from front of fence: Attach (each) auxiliary fence using two (2) 3/16" flat head machine screws. With 3/4" auxiliary fence, use 1-1/2" long screws. Secure behind metal fence with washer and machine nuts.

Fasten from back of fence: With 3/4" auxiliary fence, use 1/4" round head wood screws (3/4" long). Drill four pilot holes through auxiliary fence and run screws from rear of metal fence.

5. Make a full depth cut to create the blade slot. Check for interference between the auxiliary fence and the lower blade guard. Make adjustments as necessary.

6. For best splinter-free cuts, use the chop cut method.
7. When making slide cuts, the center must be notched out per pattern (see Figure 38).

⚠ WARNING Check for interference from any components.

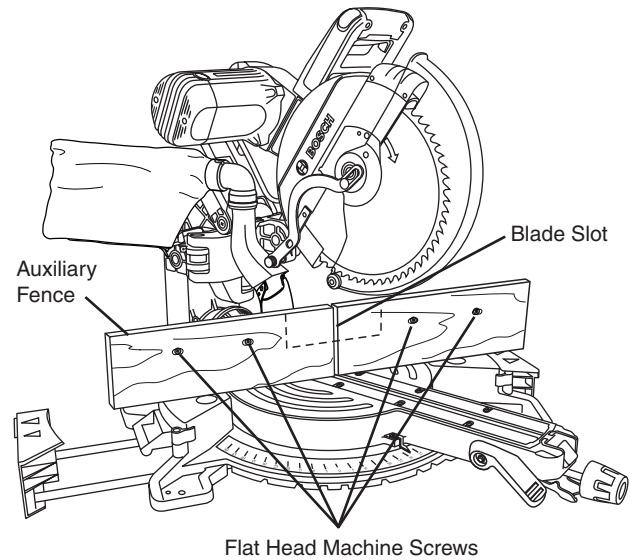


Figure 37. Auxiliary Fence

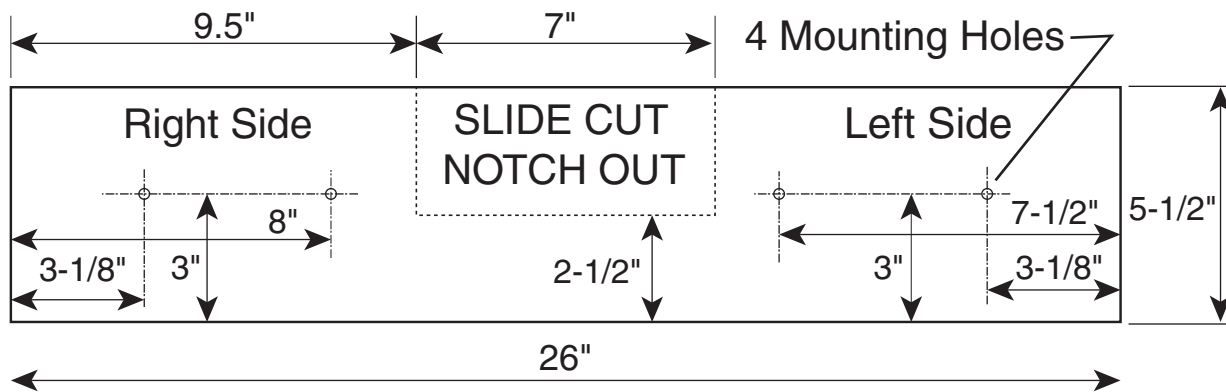


Figure 38. Tall Auxiliary Wood Fence - 3/4" Thick

Saw Operations

Switch Activation

For safety, the switch lever is designed to prevent accidental starts. To operate safety switch, press the switch "Lock-OFF" button with either thumb to disengage the lock, then pull the power switch lever and release the switch "Lock-OFF" release button (see Figure 39). When the power switch lever is released, the switch "Lock-OFF" button will engage the safety switch automatically, and the lever will no longer operate until either "Lock-OFF" button is pressed again.

NOTE: The power switch lever is made with a hole to accommodate a long shackle padlock to prevent unauthorized use of the saw (padlock is not provided with tool). The lock's shackle diameter may be up to 1/4".

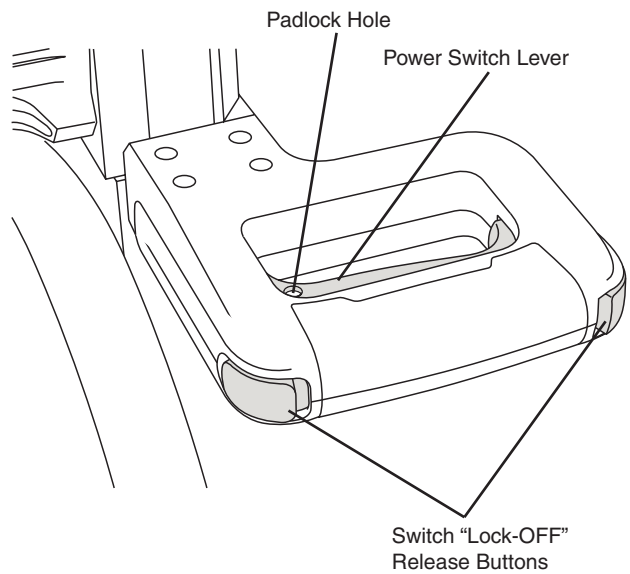


Figure 39. Switch Activation

Saw Operations

Using Miter Detent System

1. Loosen the miter lock knob about 1/2 turn.
2. Grip the lock knob, and then reach down with your index finger to pull up on the miter detent lever – pull lever until it is out from the detent plate.
3. While gripping the lock knob and lever, rotate the saw's table. Stop table rotation at the desired angle as indicated by the miter scale pointer.
4. Release the lever into a detent in the detent plate or at an angle between detents. If close to a detent, use the detent override feature.
5. Tighten the miter lock knob before cutting.

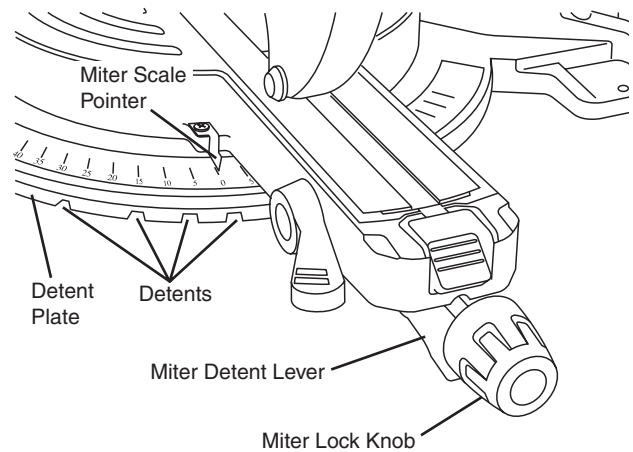


Figure 40

Miter Detent Override

The miter detent override system locks out the automatic detent action. When the desired miter angle is close to a standard detent slot, this feature will hold the detent lever wedge from engagement (i.e., the user wants to be at 44-1/2°, but detent wedge wants to pop into the 45° detent). When the detent override is used, the detent system is disabled and the table will move smoothly to any position within its range.

Engaging the Miter Detent Override

1. Pull up and hold the miter detent lever – the lever is located under the turntable's front arm (see Figure 41).
2. Press down on the top half of the detent override button and then release hold of the detent lever. The override button will remain in the DOWN position (see Figure 41).
3. The turntable is free to rotate.

⚠ WARNING With the table free to rotate, the miter lock knob must be tightened before attempting any cutting.

Disengaging the Miter Detent Override

1. Pull up the miter detent lever and the detent override system will automatically disengage. The override button will return to the UP position.
2. Loosen the miter lock knob to allow the table to rotate to a new position – the detent lever is now free to engage the preset detent slots.

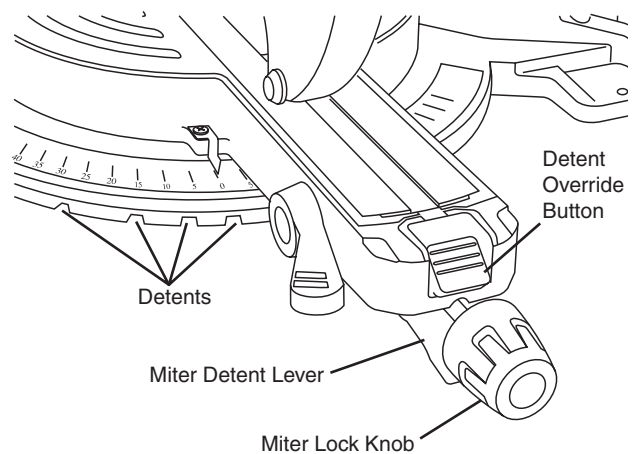


Figure 41. Detent Override

Saw Operations

Chop Cuts

What's a Chop Cut – Saw Features

- A “chop cut” is a cross-cut made when the saw is held to the rearmost position and is operated like a conventional (non-sliding) miter saw. Using the chop cut method lowers the cross-cutting capacity; however, many users prefer using this method because it is quicker when making repeat cuts. This method can also produce more accurate cuts because the saw head is locked in the retracted position.
- This saw has bevel angle stops that accurately stop at critical angles: 45° Left/Right and 0° Right. It comes factory-set and should not require adjustment. However, after extensive use or if the tool has received a hard impact, it may require an adjustment.
- A chop cut can cut pieces with a width of 5-1/2" or less

Preparing for Chop Cut

1. With the saw head in the UP position, push it back over the fence to the rear.
2. Engage the mechanism lock lever (item 27 – page 9) by lifting up the finger tab. Check that mechanism movement is stopped.
3. Properly position your workpiece and clamp it firmly to the table and/or fence.

⚠ WARNING Use clamping position that does not interfere with operation. Before switching “ON,” lower head assembly to make sure clamp clears guard and head assembly.

Making a Chop Cut

1. Activate the switch, then fully lower the saw head to make the cut.
2. Hold the saw head down until the blade comes to a complete stop. Return the saw head to the UP position. Remove workpiece.

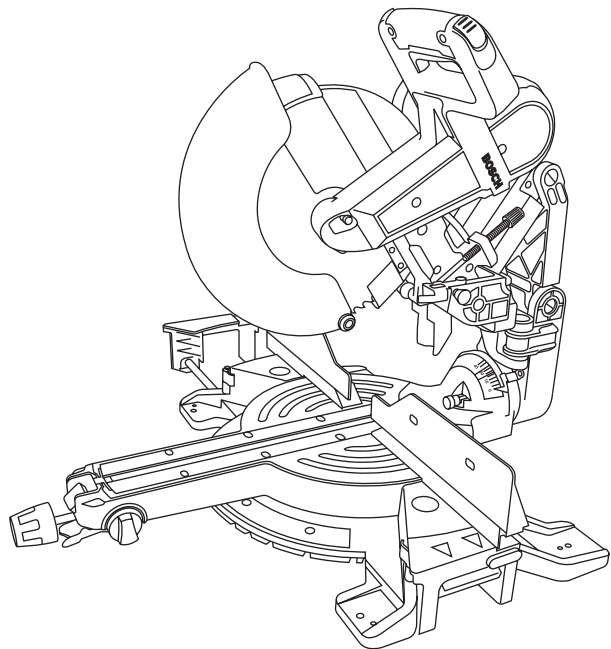


Figure 42. Chop Cut

Saw Operations

Slide Cuts

What's a Slide Cut – Saw Features

- A “slide cut” is made with the head assembly unlocked and able to move away from the fence. This movement is supported and precisely controlled by the axial glide system. The maximum cross-cutting capacity is utilized by using this method.
- A slide cut is best used for cross-cutting workpieces wider than can be done with a chop cut – pieces wider than 5-1/2" and up to a maximum width of 13-3/8" across.

⚠ WARNING NEVER pull the saw toward you during a cut. The blade can suddenly climb up on top of the workpiece and force itself toward you.

Preparing for Slide Cut

1. Place the saw head in the UP position.
2. Disengage the mechanism lock lever (item 27 – page 9) by pushing down on the finger tab. With the head assembly in the UP position, move it fully to the front and back to check that axial glide system moves smoothly.
3. Properly position your workpiece and clamp it firmly to the table and/or fence.

⚠ WARNING Use a clamping position that does not interfere with operation. Before switching “ON,” lower head assembly to make sure clamp clears guard and head assembly.

Making a Slide Cut

1. Grasp the switch handle and pull the saw head assembly (in UP position) away from the fence – see Arrow 1 in Figure 43.
2. Activate the switch, and then fully lower the saw head assembly – on larger pieces, this action may also start the cut – see Arrow 2 in Figure 43.
3. Push down and back so the saw head assembly moves toward the fence and to the full rear position until you complete the cut. See Arrow 3 in Figure 43. NOTE: If high resistance is felt, do not apply excessive force – stop cutting, wait until blade stops and investigate problem.
4. Hold the saw head down until the blade comes to a complete stop. Return the saw head to the UP position and remove the workpiece.

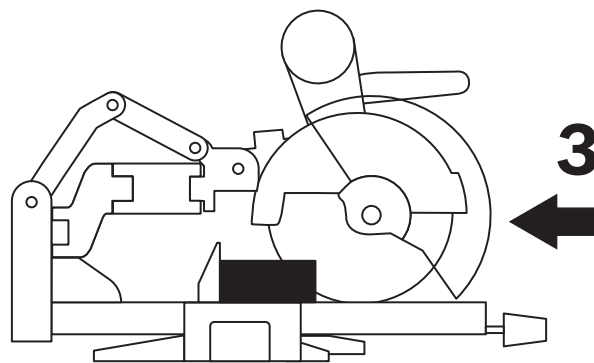
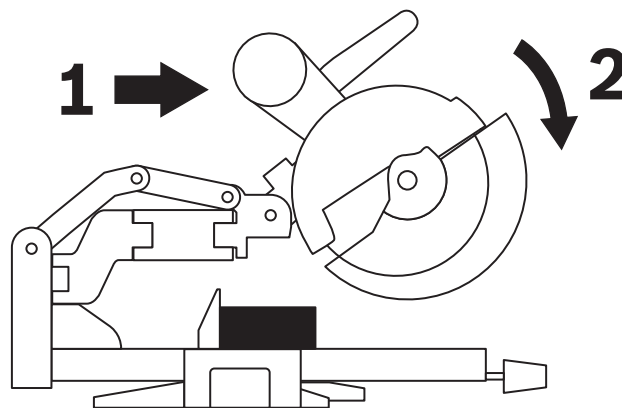


Figure 43. Slide Cut

Saw Operations

Miter Cuts

What's a Miter Cut – Saw Features

- A “miter cut” is a cross-cut made with the blade perpendicular to the horizontal table. The blade is not tilted and the bevel pointers are both on the 0° lines.
- Miter cuts can be made at any angle across a workpiece within this saw's range, from 52° left to 60° right.
- The miter scale shows the angle of the blade relative to the saw's fence. The miter pointer is attached to the turntable and indicates the saw's miter position before the cut is made.
- Ten positive detents are provided for fast and accurate preset miter angles – locations are at 45°, 31.6°, 22.5°, 15° left and right, and center at 0°. The right side has an additional detent of 60°.

- The crown molding detents on the left and right are at 31.6° for compound cutting 38° “spring angle” crown molding lying flat on the table (see Cutting Crown Molding on page 45).
- For precision settings at miter angles very close to the miter detents, use the miter detent override to prevent the detent from automatically engaging the detent slot. See detent override instructions on page 33.
- A miter cut can be made either as a chop cut or slide cut, depending on the width of the workpiece.
- The kerf inserts should be adjusted to be as close to the blade as possible to reduce splintering (see kerf insert instructions on page 20).

Reading the Miter Scale

The miter scale used on this saw includes several scales of information to help the user accurately preset this saw before making the cuts (see Figure 44).

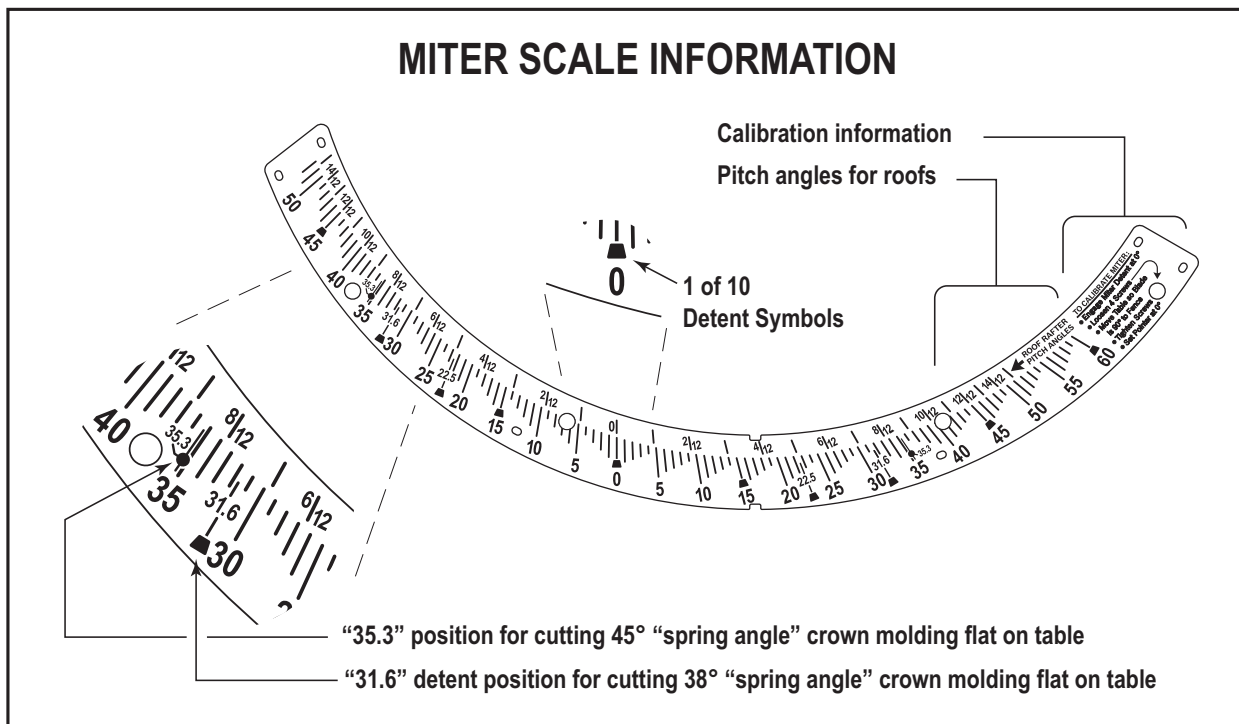


Figure 44. Miter Scale Information

Saw Operations

Miter Cuts

Pitch angle information – The top section of the miter scale shows angle settings required to cut roof rafters to the “Pitch Angle” system. 2/2, 4/12, 6/12, etc., are all pitch angles. This system is based on using the English “inches.” A 6/12 pitch angle roof equals a ratio of 6” “rise” for every 12” “run” (see Figure 45).

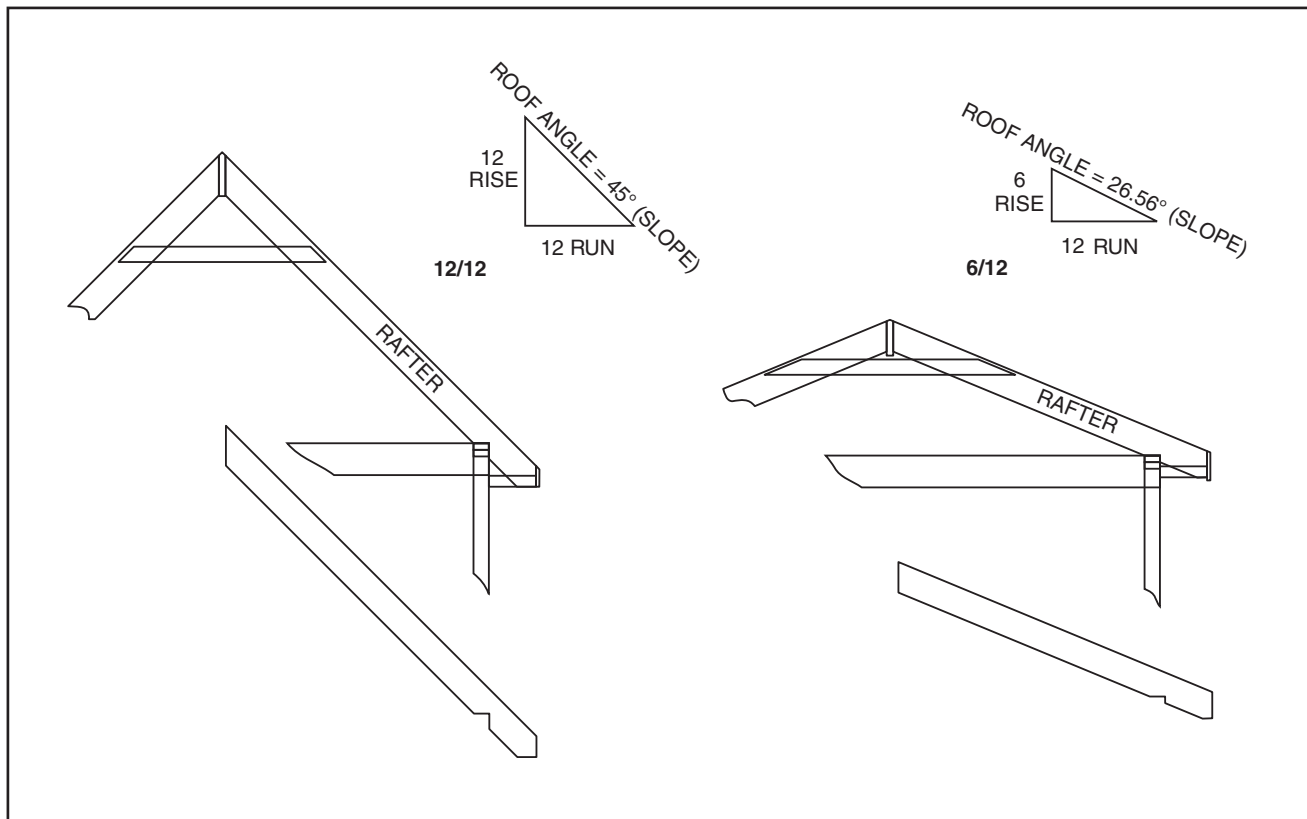


Figure 45. Pitch Angle Cutting – Common Roof Rafters

Crown molding information – There are miter position settings for compound-cutting crown molding flat on the table. Crown molding with 38° “spring angle” uses the 31.6 setting (with detent) and crown molding with 45° “spring angle” uses the 35.3 setting. NOTE: This cutting method also requires that specific bevel angles are set – see Cutting Crown Molding on page 45.

Saw Operations

Miter Cuts

Miter cutting 6-1/2" base boards – This saw can miter cut 6-1/2" tall base boards vertically positioned against the fence at any angle from 0° to 52°. All angled cuts must be made with the base board placed on the left side of the table. For certain cuts, the base board will have to be flipped upside down or placed with the face side against the fence. Always use a C-clamp to hold the base board to the fence before making cuts. NOTE: For cutting standard base board up to 4-1/4" tall, no special placement is required and it can be miter cut at any angle left or right.

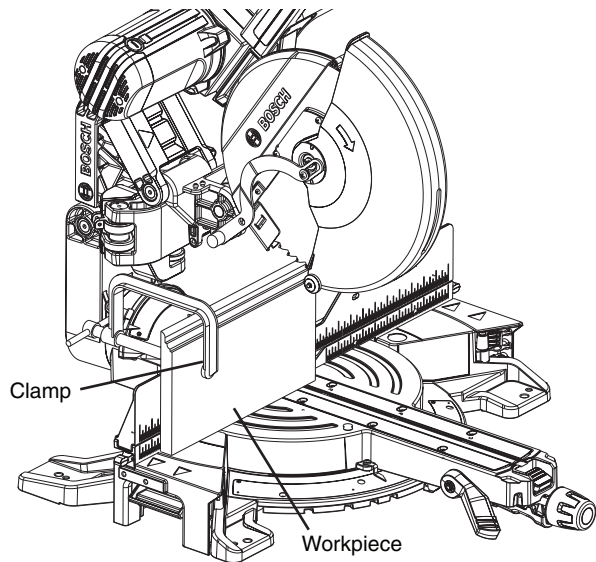


Figure 46

Setting Saw to Make a Miter Cut

1. See Using Miter Detent on page 33.
2. Loosen the miter lock knob. Lift miter detent lever and move the saw to the desired angle, using either the detents or the miter scale. Tighten miter lock knob (see Figure 47).
3. Extend the base extensions and fence on the side on which the cut will be made (see Workpiece Support on page 29).
4. Properly position workpiece. Make sure workpiece is clamped firmly against the table or the fence.

WARNING Use a clamping position that does not interfere with operation. Before switching "ON" saw, lower saw head to make sure the clamp clears guard and head assembly.

5. Follow procedures for either chop cut or slide cut (see pages 34-35).
6. Wait until saw blade comes to a complete stop before returning head to the raised position and then remove workpiece.

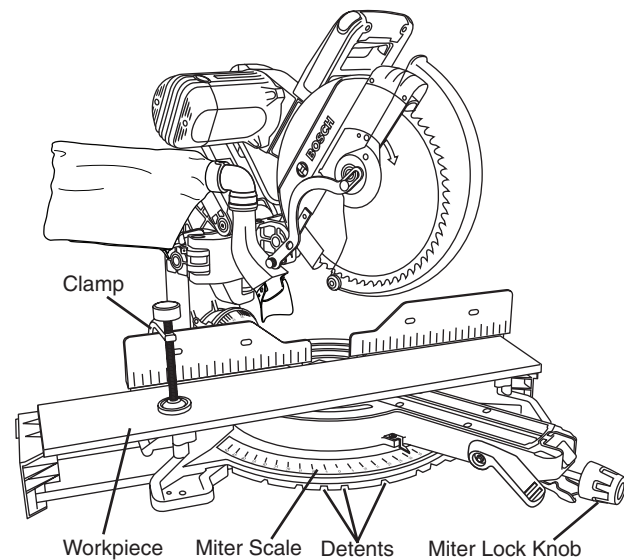


Figure 47. Miter Cut

Saw Operations

Bevel Cuts

What's a Bevel Cut – Saw Features

- A “bevel cut” is a cross-cut made with the blade perpendicular to the fence and with the table set at 0° miter. The blade can be tilted to any angle within the saw’s range: the left is 0 to 47° and the right is 0 to 47°.
- The bevel scale is sized and positioned for easy reading – see Figure 48.

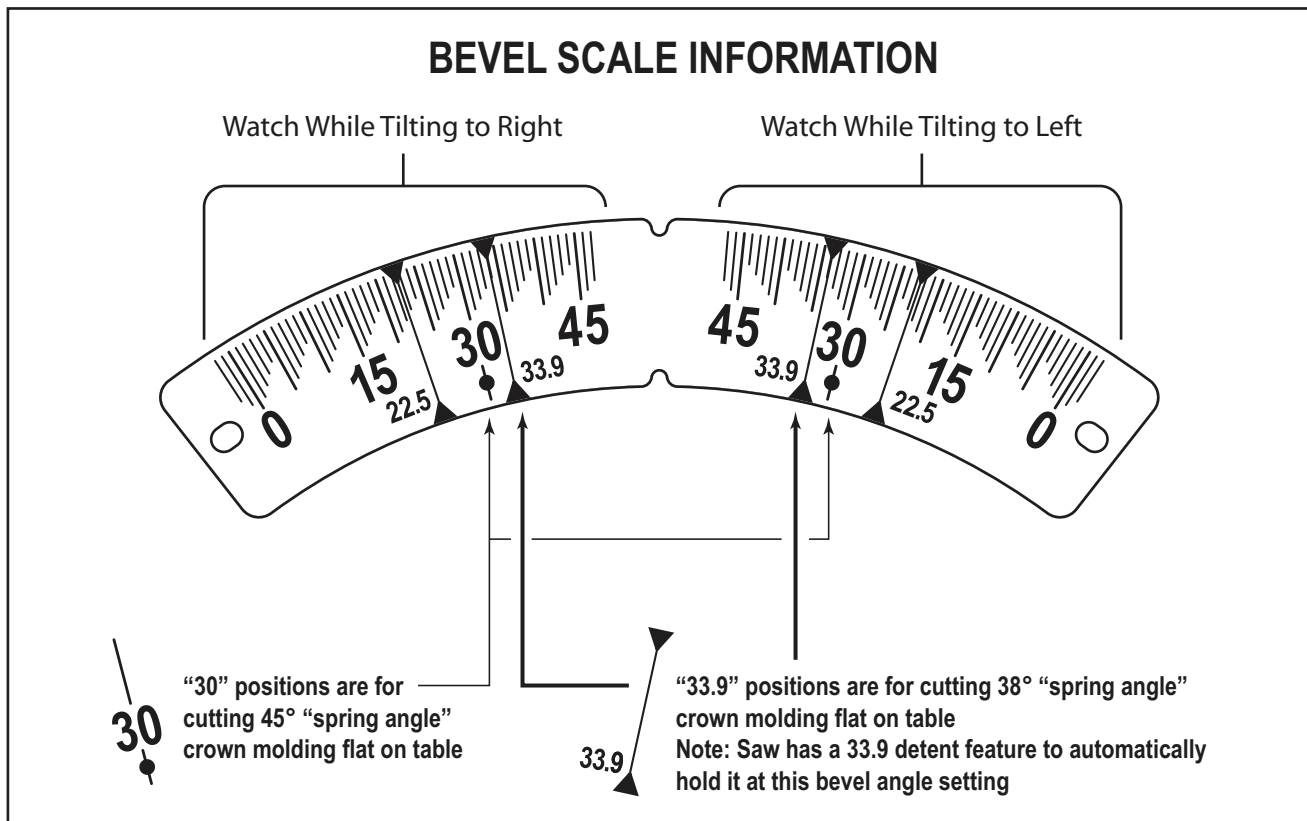


Figure 48. Bevel Scale Information

Saw Operations

Bevel Cuts

Bevel range selector knob – This saw has a front control on the right side of the table arm. This is called the bevel range selector knob (item 41 – page 9). It is linked to stops and locking mechanisms in the rear which control the tool's ability to quickly and accurately be positioned to make bevel cuts. There are positive stops at the important 45° left, 0° (vertical), and 45° right angles (see Figure 49).

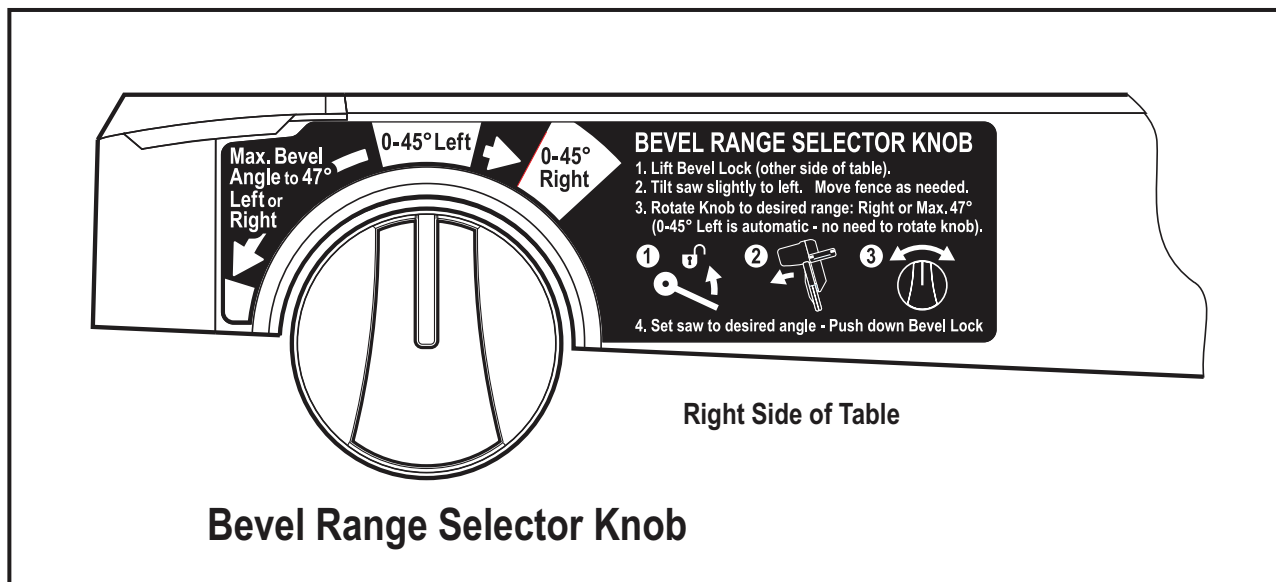


Figure 49. Bevel Range Selector Knob – Right Side of Table

Saw Operations

Bevel Cuts

Using the Bevel Range Selector Knob

Bevel Range 1 = 0-45° Left

This left-side bevel range is the default setting.

To operate in Bevel Range 1:

1. Move the left sliding fence out to clear saw assembly and relock (Figure 51).
2. Lift bevel lock lever above table height with left hand.
3. Grasp the main handle with the right hand and tilt the saw assembly to the angle desired.
4. Once in the desired bevel position, hold the saw assembly with right hand and use left hand to fully press down the bevel lock lever below table height.

NOTE: Without turning the saw "ON," perform a dry cut to make sure the fence clears the guards and adjust if necessary.

Bevel Range 2 = 0-45° Right

To operate in Bevel Range 2:

1. Move the right sliding fence out to clear saw assembly and relock (see Figure 51).
2. Lift bevel lock lever above table height with the left hand.
3. Grasp the main handle with the left hand and tilt the saw assembly slightly to the left while rotating the spring-loaded bevel range selector knob with the right hand so the knob's indicator points to "0-45° Right" as on the label.
4. Once in the desired bevel position, hold the saw assembly with right hand and use left hand to fully press down the bevel lock lever below table height.

NOTE: When the saw assembly is tilted back to left past 0°, the bevel control knob will snap back to the default bevel range 1. This is designed to regain the preset bevel stop at the important 0° position.

Bevel Range 3 = Max. Bevel Angle to 47° Left or Right

This full-capacity bevel range setting overrides all preset stops and allows for cutting at bevel angles beyond the normal 45° on either side.

To operate in Bevel Range 3:

1. Move the left and right sliding fences out to clear saw assembly and relock (see Figure 51).
2. Lift bevel lock lever above table height with the left hand.
3. Grasp the main handle with the left hand and tilt the saw assembly slightly to the left while rotating the spring-loaded bevel range selector knob with the right hand so the knob's indicator points to the red square below "Max. Bevel Angle to 47° Left or Right."
4. Once in needed bevel position, hold saw head by the right hand and use left hand to press down the bevel lock lever below table height.

NOTE: The selector knob will stay in this "override" position. Turn the knob slightly clockwise and it will snap back to bevel range 1 (default position).

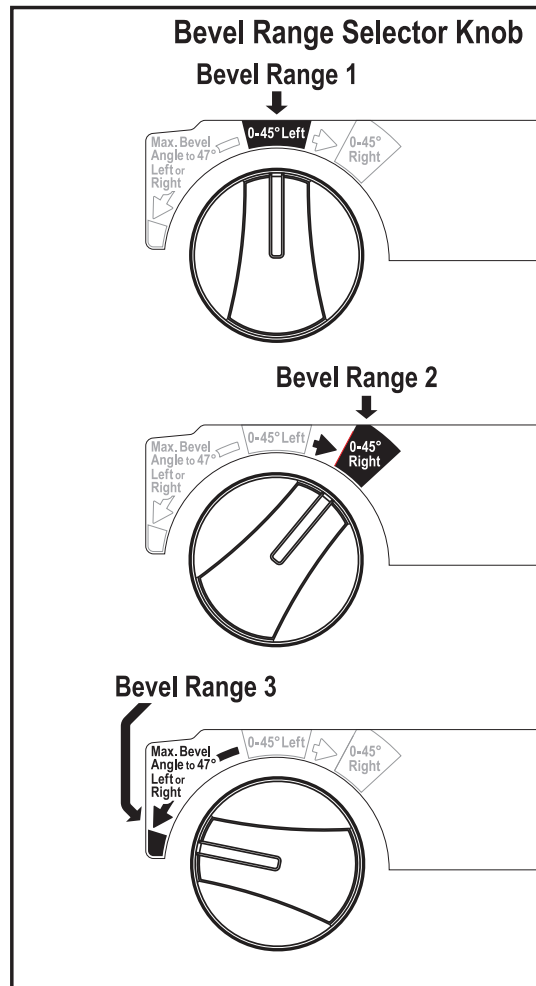


Figure 50

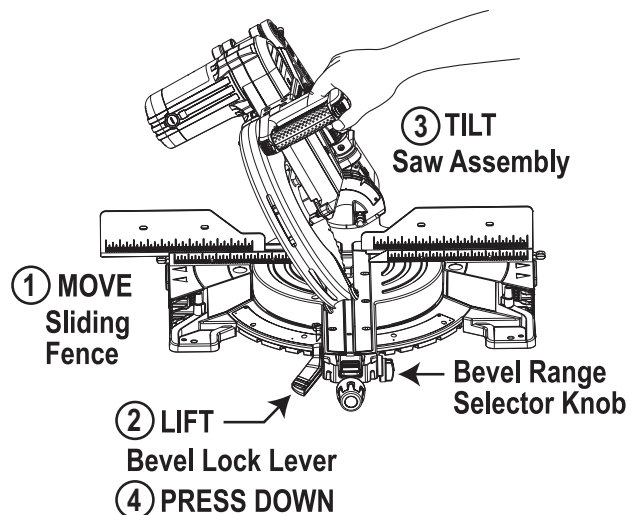


Figure 51

Saw Operations

Bevel Cuts

Bevel Angle Stops and Detents

- The saw has bevel angle stops that accurately stop at critical angles: 45° left, 0°, and 45°. It comes factory-set and should not need to be adjusted. However, after extensive use or if the tool has received a hard impact, it may require an adjustment.
- The saw has a bevel angle detent pin which can only be engaged at 33.9° left or right - this is the bevel angle required when cutting 38° “spring angle” crown molding flat on the table. NOTE: If the bevel detent pin automatically engages at 33.9° and prevents tilting the saw to another angle, simply pull it to the front and rotate its cross pin 1/4 turn so it rests in the disengaged position. If pin is sticking in, tilt and rock saw head side to side as you pull on it (see Figure 52).

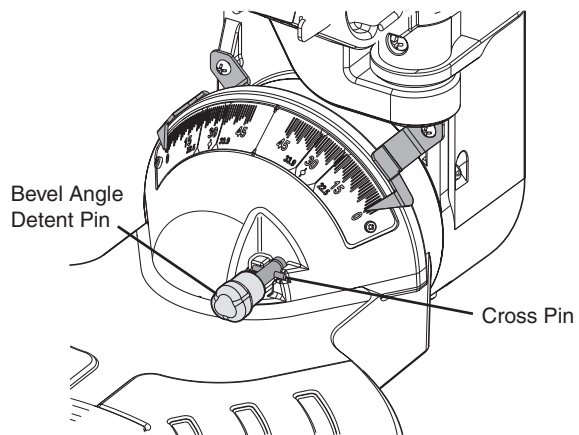


Figure 52. Cross Pin Disengaged for Full Range of Bevel Cuts

Setting Saw to Make a Bevel Cut

1. Lift up the bevel lock lever to unlock (see item 14 – page 8).
2. Choose the desired bevel range using the bevel range selector knob. NOTE: If in the 0° position and moving to “0-45° Range,” it may be necessary to move the head assembly slightly to the left before the selector knob can be turned.
3. Grasp the main handle and tilt the saw head assembly to the desired angle while watching one of the bevel angle pointers – watch the right pointer when tilting to the left or the left pointer when tilting to the right.
4. Continue to hold saw and push down on the bevel lock lever (with your left hand) to lock. Let go of tool.
5. Follow the chop cut or slide cut procedures in this manual.

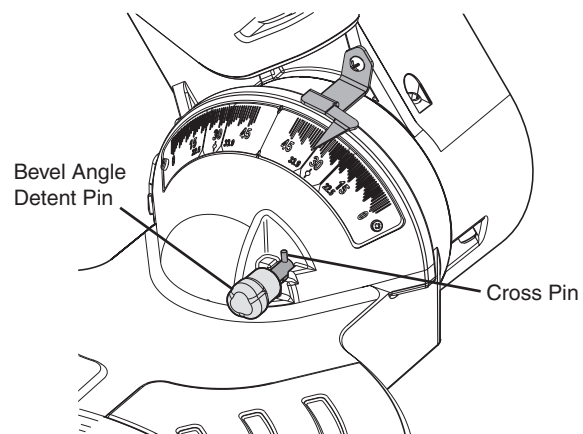


Figure 53. Cross Pin Engaged for 33.9° Bevel Cut

Saw Operations

Compound Cuts

What's a Compound Cut – Saw Features

- A “compound cut” is a single cross-cut made with the saw blade preset at two angles combining a miter angle (relative to the vertical fence) with a bevel angle (relative to the horizontal table).
- Miter angles will be with the table rotated away from 0° and within this saw's range from 52° left to 60° right.
- A bevel angle is when the blade is tilted away from 0°. This saw's range is from 47° left to 47° right. NOTE: If the bevel detent pin automatically engages at 31.6° and prevents tilting the saw to another angle, simply pull it to the front and rotate its cross pin 1/4 turn so it rests in the disengaged position. If pin is sticking in, tilt and rock saw head side to side as you pull on it.
- A compound cut can be made as a chop cut or a slide cut.
- Cutting crown molding flat on the table requires compound cuts. See Cutting Crown Molding section on page 45.

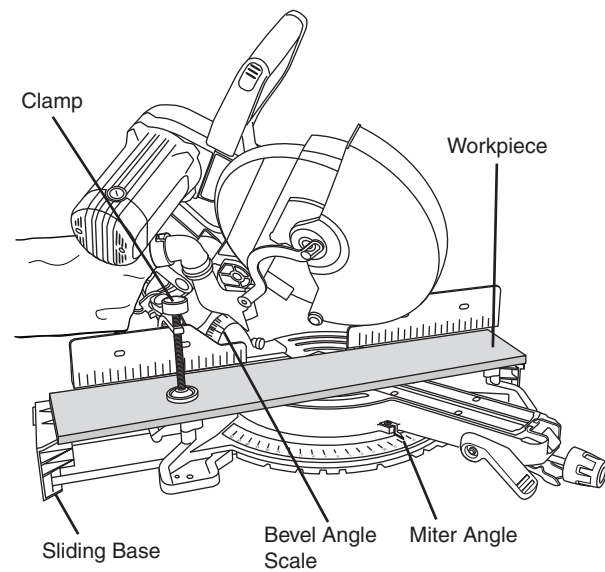


Figure 54. Compound Cut

Saw Operations

Cutting Grooves

The depth stop adjustment is a feature used when cutting grooves in the workpiece.

The depth adjustment is used to limit blade depth to cut grooves.

NOTE: Read and understand all instructions on page 19 in the Adjustments section on "Setting Blade Depth for Non-Through Cuts for Cutting Grooves."

NOTE: For best results, Bosch recommends the use of a table saw with an optional dado blade set for cutting grooves and non-through cuts. In the event this is not available, the feature described below is a convenient alternative.

A groove should be cut as a slide cut.

1. For adjustment of groove depth, pull out depth stop plate and rotate depth stop screw. Rotating the depth stop screw clockwise will raise saw blade and rotating the screw counterclockwise will lower the blade.
2. For minor adjustments, simply rotate the depth stop screw to the desired location.

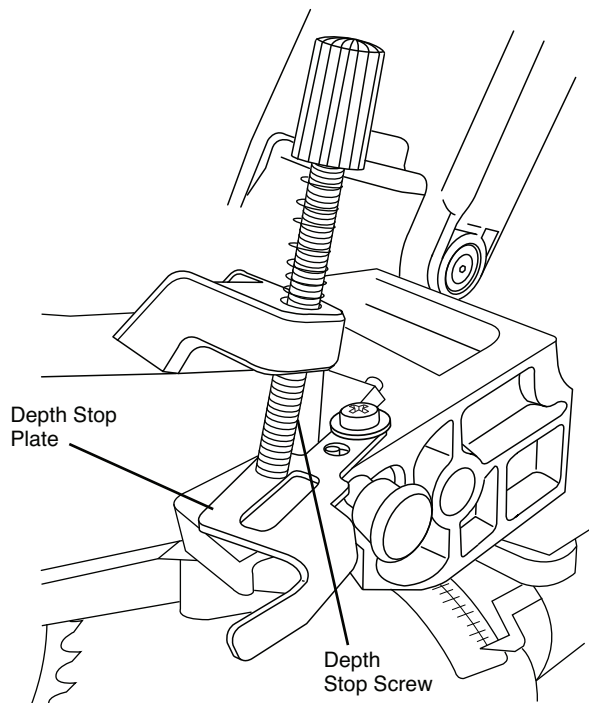


Figure 55. Cutting Grooves

3. Cut the two outside grooves first.

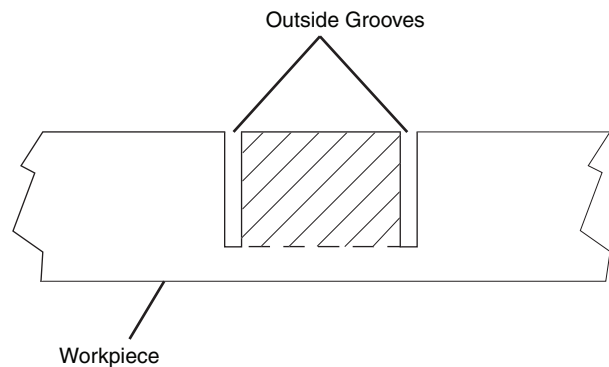


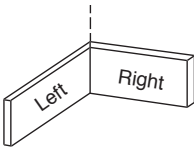
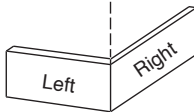
Figure 56. Rough Cut Groove

4. After cutting a groove, shut saw "OFF" and wait for blade to stop.
5. To remove material between cuts, move the workpiece to the right or left. The saw must come to a complete stop before moving workpiece.

Saw Operations

Cutting Base Molding

- Base molding can be cut vertical against fence or flat on the table. The maximum size that can be vertical on the fence is 6-1/2", flat on table is 13-1/2".
- Cutting base molding can be done either as a chop cut or a slide cut depending on the size of the workpiece.
- Follow the table for helpful hints on cutting base molding for corners that have 90° angles.

BASE MOLDING CUTTING INSTRUCTIONS					
LOCATION OF MOLDING ON SAW →		Molding in Vertical Position: Back of molding is against the fence		Molding in Horizontal Position: Back of molding is flat on the table	
Bevel Angle →		Bevel = 0°		Bevel = 45°	
Molding Piece Being Cut →		To left of corner	To right of corner	To left of corner	To right of corner
Inside corner of wall 	Miter Angle	Left at 45°	Right at 45°	0°	0°
	Position of molding on saw	Bottom against table	Bottom against table	Top against fence	Bottom against fence
	Finished side	Keep left side of cut	Keep right side of cut	Keep left side of cut	Keep left side of cut
Outside corner of wall 	Miter Angle	Right at 45°	Left at 45°	0°	0°
	Position of molding on saw	Bottom against table	Bottom against table	Bottom against fence	Top against fence
	Finished side	Keep left side of cut	Keep right side of cut	Keep right side of cut	Keep right side of cut

Cutting Crown Molding

Crown molding cuts must be positioned properly to fit exactly.

There are two ways to cut crown molding: flat on table or angled to table and fence.

Crown molding's "spring angle" is the angle between the back of the molding and the bottom flat surface that fits against the wall.

This miter saw has special miter detents at 31.6° and bevel detents at 33.9°. These detents allow you to easily position most crown molding flat on the table and make precise cuts for 90° corners. NOTE: These detents cannot be used with 45° crown molding. These detents are only for use with crown molding that has a 38° "spring angle."

See also pages 46 & 47 for miter and bevel angle charts for cutting crown molding that has 38° and 45° spring angles. Each chart lists the exact miter and bevel settings required for a wide range of corner angles.

Even though these angles are standards, most rooms do not have angles of exactly 90°; therefore, you will need to fine-tune your settings.

The optional Bosch DAF220K MiterFinder Digital Anglefinder/Protractor measures spring angles and corner angles, then automatically determines the exact miter and bevel settings necessary to make each crown molding cut fit perfectly.

Saw Operations

Crown Molding Angled to Table and Fence

The preferred method for cutting crown molding with this saw is with the molding lying flat on the table.

The advantage to cutting molding angled against fence is that no bevel setting is required. Only the miter angle is adjusted.

The maximum crown molding width that can be cut and angled to table and fence is 6-1/2".

When cutting crown molding in this fashion it is recommended to purchase and use the optional Crown Stop Set (see page 55).

Follow these instructions for cutting crown molding angled to table and fence.

1. Position the molding so the bottom (decorative part, which is installed against the wall) is against the fence.
2. For 90° corner, set the miter angle using chart below. Tighten the miter lock knob.
3. Support crown molding against the fence (see "Body and Hand Position" on page 28.)
4. Follow the procedures for chop or slide cut (see pages 34-35).
5. Wait until blade comes to a complete stop before returning head assembly to the raised position and/or removing workpiece.

NOTE: Always take a test cut using scrap to confirm correct angles.

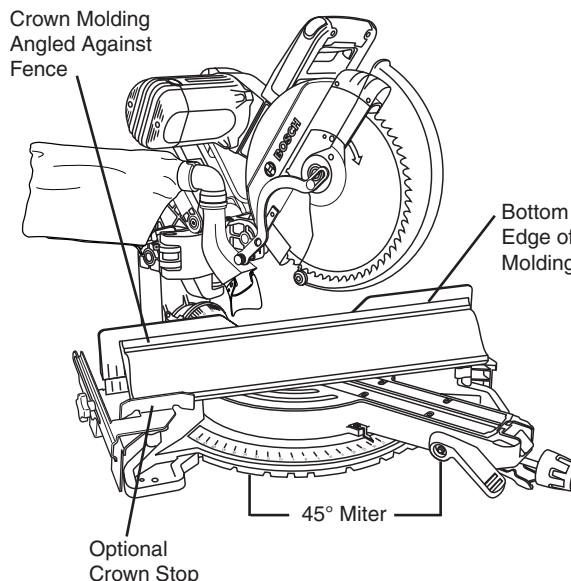
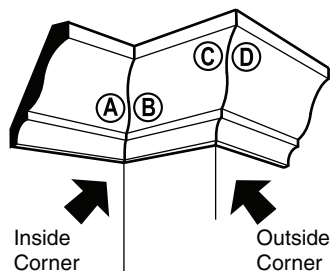
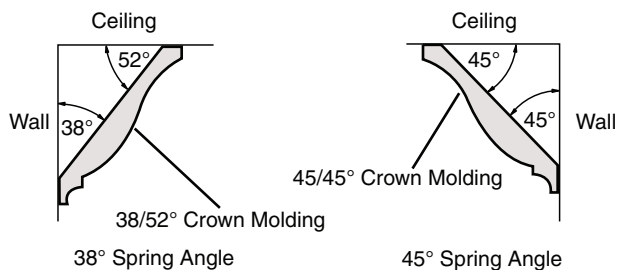


Figure 57. Crown Molding Angled to Table and Fence

Miter and Bevel Settings for Standard Crown Molding Cuts (When Workpiece Angled Against Fence)

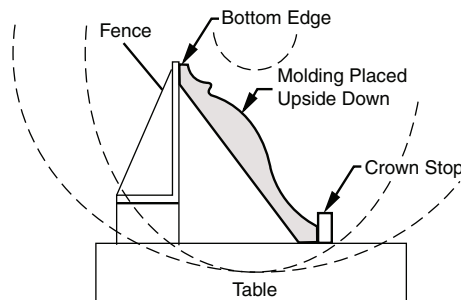
Assumptions: Molding is milled consistently. Corner is 90°.

For other corner angles, divide actual measurement by 2.



Refer to Chart

For Any Crown Molding Up to 6"		
Note: Always place bottom edge against fence	Miter (Table) Setting	Bevel (Tilt) Setting
Inside Corner -		
Left end (A) Use the left end of the cut	45° Right	0° Left
Right end (B) Use the right end of the cut	45° Left	0° Right
Outside Corner -		
Left end (C) Use the left end of the cut	45° Left	0° Right
Right end (D) Use the right end of the cut	45° Right	0° Left



Cutting - Angled to Table and Fence

Saw Operations

Crown Molding Lying Flat on Table

NOTE: Position workpiece with its back flat on the saw table.

Always place top edge of molding against fence (decorative edge is at the bottom of crown molding.)

“Spring angle” refers to angle between wall and crown molding.

Cutting crown molding flat on the table can be done either as a chop cut or a slide cut depending on the width of the workpiece.

Refer to special auxiliary fence for narrow cutoffs when cutting crown flat on table (see page 48).

1. For 90° corner, set the bevel and miter angles using charts below. Tighten the miter lock knob and the bevel lock lever.
2. Position molding on saw table. Clamp workpiece in place using the quick clamp.

WARNING Use clamping position that does not interfere with operation. Before switching “ON,” lower head assembly to make sure clamp clears guard and head assembly.

3. Follow procedures for either chop cut or slide cut (see pages 34-35).
4. Wait until blade comes to a complete stop before returning head assembly to the raised position and/or removing workpiece.

NOTE: Always take a test cut using scrap to confirm correct angles.

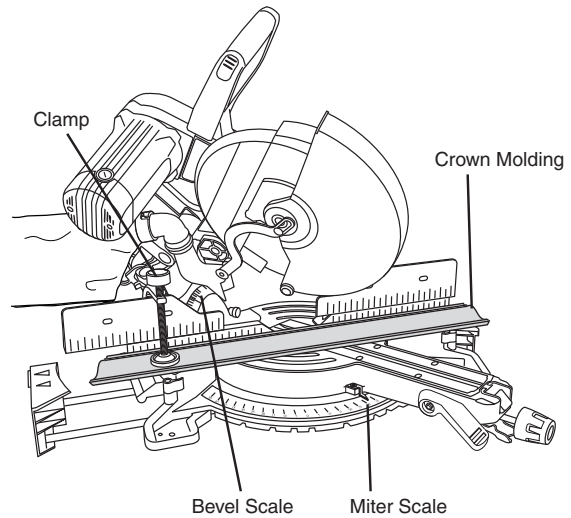
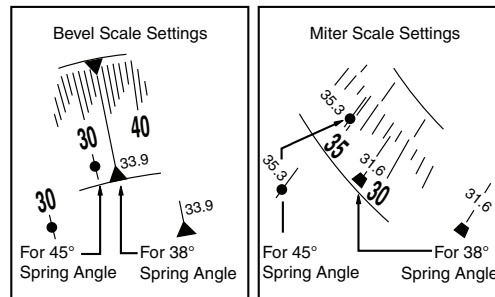


Figure 58. Crown Molding Lying Flat

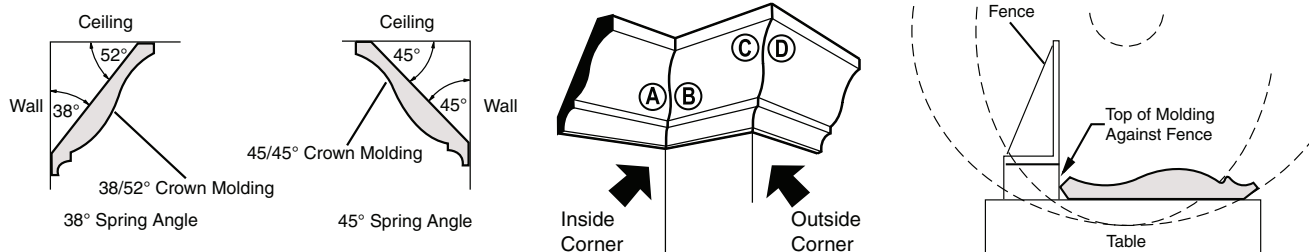


Miter and Bevel Settings for Standard Crown Molding Cuts

(With Molding Flat on Table) Assumptions: Molding is milled consistently. Corner is exactly 90°.

Molding Spring Angle is 38°		
Note: Always place top edge against fence	Miter (Table) Setting	Bevel (Tilt) Setting
Inside Corner - Left end (A) Use the left end of the cut	31.6° Right	33.9° Left
Right end (B) Use the right end of the cut	31.6° Left	33.9° Right
Outside Corner - Left end (C) Use the left end of the cut	31.6° Left	33.9° Right
Right end (D) Use the right end of the cut	31.6° Right	33.9° Left

Molding Spring Angle is 45°		
Note: Always place top edge against fence	Miter (Table) Setting	Bevel (Tilt) Setting
Inside Corner - Left end (A) Use the left end of the cut	35.3° Right	30° Left
Right end (B) Use the right end of the cut	35.3° Left	30° Right
Outside Corner - Left end (C) Use the left end of the cut	35.3° Left	30° Right
Right end (D) Use the right end of the cut	35.3° Right	30° Left



Saw Operations

Crown Molding Auxiliary Fence

WARNING When making a compound cut on a molding lying flat on the table, narrow cut-off pieces (2" or less in width) may be propelled at high speed over the fence and beyond the back of the tool (see Figure 59). Use auxiliary fence as instructed and shown in figures below.

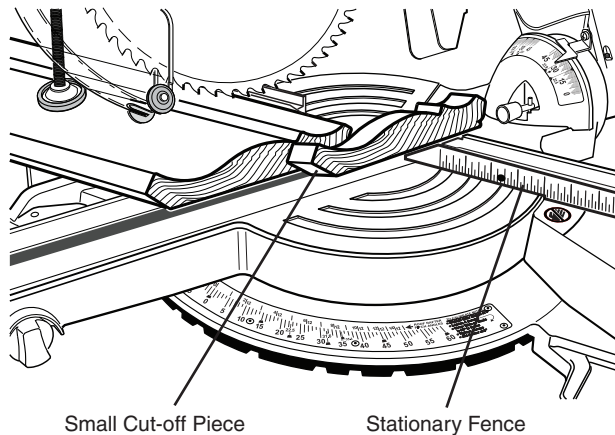


Figure 59. Cut-off Piece Over Fence

An auxiliary fence is used to add support to the cut-off workpiece such as large crown molding when cut flat on the table (see Figure 60). It will reduce splintering and movement of the unsupported cut-off piece of wood after the cut is made.

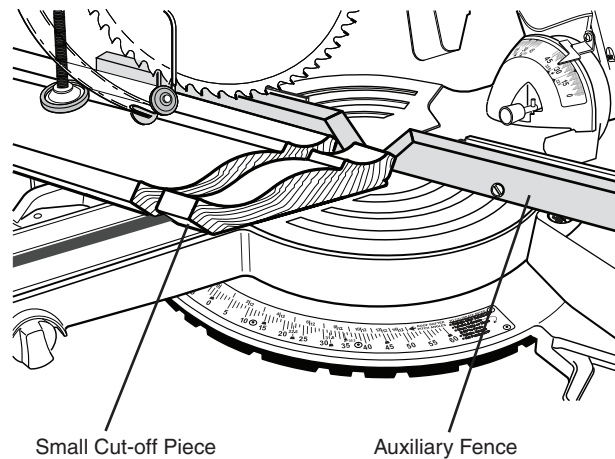


Figure 60. Cut-off Piece Stopped by Auxiliary Fence

Making an Auxiliary Fence:

Required pieces:

Wood Board (described below)

4 – Flat Head Machine Screws – 1/4" diameter; 2-1/2" long

4 – 1/4" Flat Washers

4 – Nuts

1. Cut a nominal 1" x 2" wood board to a length of 26-1/16" long. NOTE: 1 x 2" nominal equals 3/4" x 1-1/2" actual. 3/4" plywood cut to size may be substituted.
2. Drill four holes through the board using a 5/16" diameter drill bit. Countersink the holes deep enough so that the flat head screws will rest below the front work surface – use a 1/2" diameter drill bit (see Figure 61).

Remove the sliding fences from the tool – see page 29.

1. Place the flat head screws through the holes in the auxiliary fence, then the holes in the stationary fence on the tool.
2. Place the washers and nuts over the screw threads and against the stationary fence. Tighten nuts.

First-Time Use of the Auxiliary Fence:

NOTE: The first time the auxiliary fence is used, it will be cut through by the saw blade – cutting through creates minimal clearance which reduces splintering on the workpiece. Set the miter angle and the bevel angle required before making the first cut. Clamp the workpiece, then make cut – example: compound cutting large crown molding flat on the table (see Figure 58).

Saw Operations

Crown Molding Auxiliary Fence

Auxiliary Fence - Using an Auxiliary Fence when cutting Crown molding flat on the table will reduce splintering of your workpiece and movement of small cut-off pieces. Remove the saw's sliding fences (see page 29) before attaching the auxiliary fence.

Build auxiliary fence by following pattern below - Material: 3/4" x 1-1/2" wood.

Add 4 holes as dimensioned on pattern -or- Add holes following the next steps:

- 1) Cut wood to the outside dimensions shown and temporarily attach to saw's stationary fence using two C-clamps.
- 2) Use 1/4" drill bit to drill first through existing holes in the rear of the stationary fence and then through the wood.
- 3) Remove wood, countersink the front of the wood and permanently attach to saw's fence with hardware shown below.

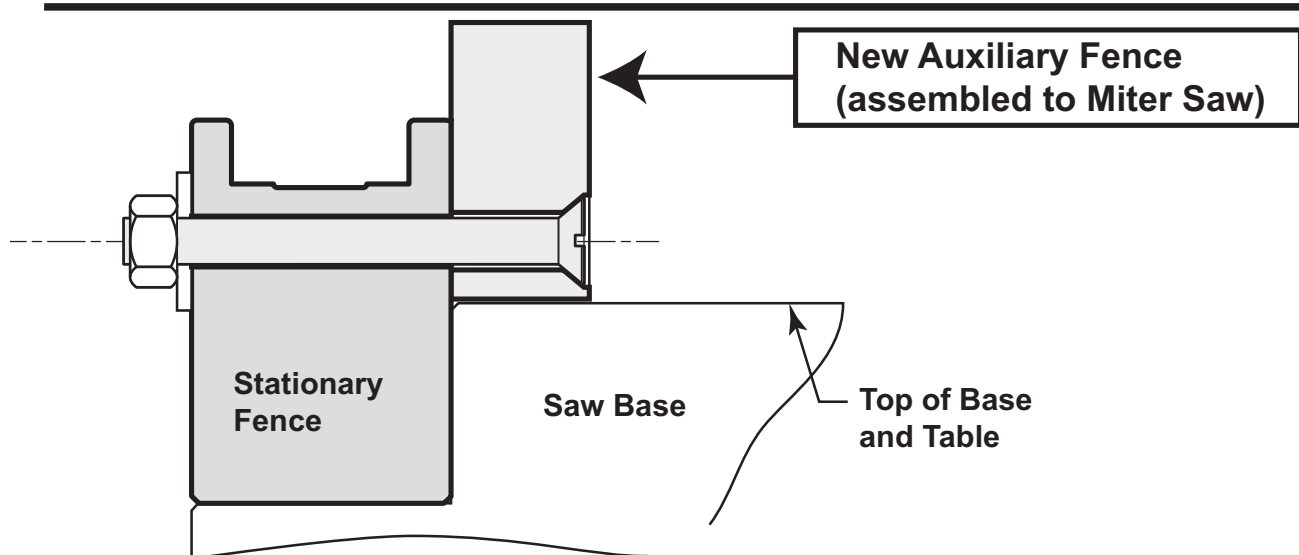
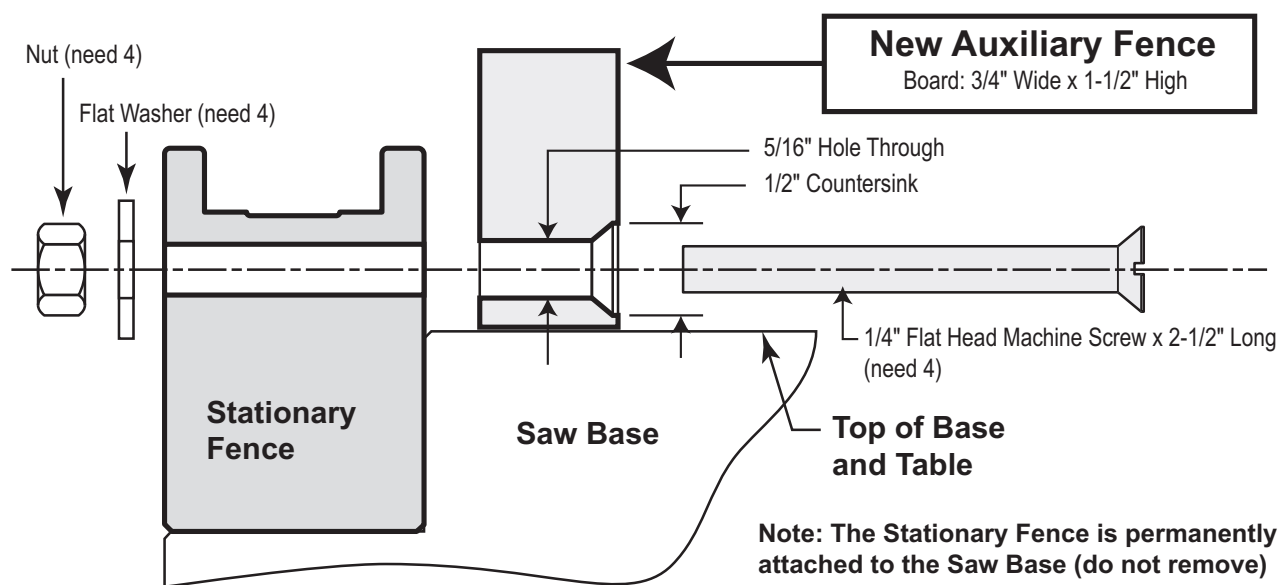
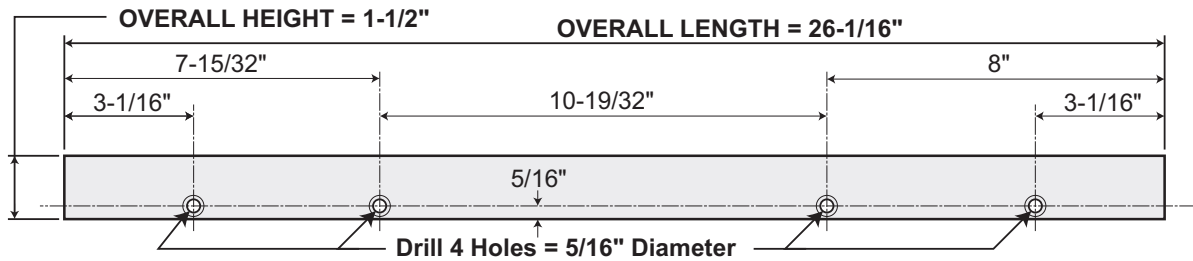


Figure 61

Saw Operations

Special Cuts

Cutting bowed material and round material are only two examples of special cuts.

Cutting Bowed Material

If workpiece is bowed or warped, clamp it with the outside bowed face toward the fence. Always make certain that there is no gap between the workpiece, fence and table along the line of cut. Bent or warped workpieces can twist or rock and may cause binding on the spinning saw blade while cutting (see Figure 62).

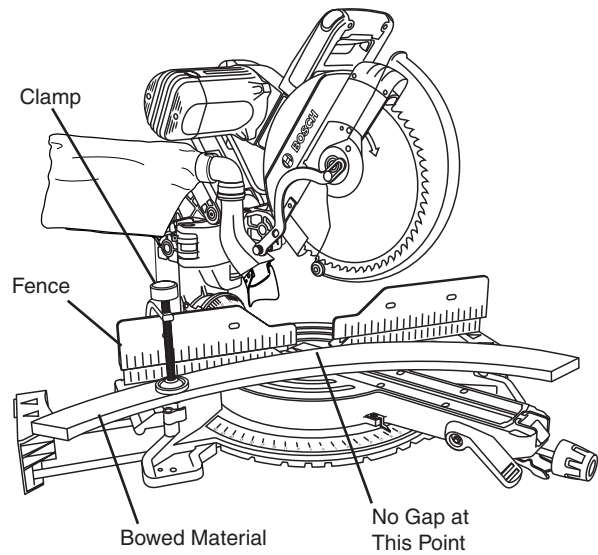


Figure 62. Bowed Material

Cutting Round or Irregularly Shaped Material

For round material such as dowel rods or tubing, always use a clamp or a fixture designed to clamp the workpiece firmly against the fence and table. Rods have a tendency to roll while being cut, causing the blade to "bite" and pull the work with your hand into the blade (see Figure 63).

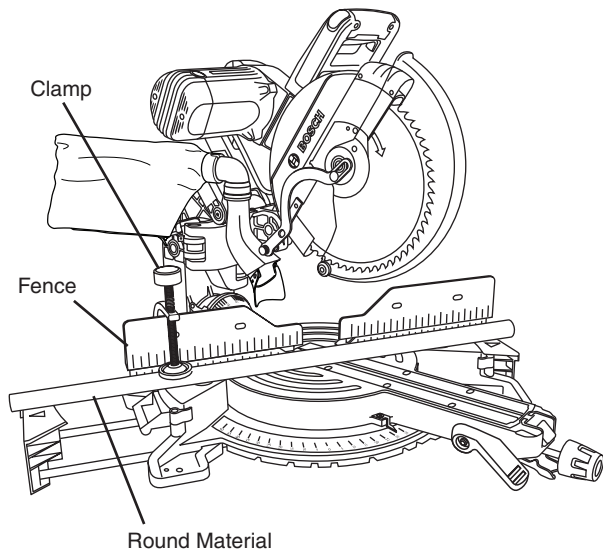


Figure 63. Round Material

Maintenance and Lubrication

Service

⚠ WARNING Preventive maintenance performed by unauthorized personnel may result in misplacing of internal wires and components which could cause serious hazard. We recommend that all tool service be performed by a Bosch Factory Service Center or Authorized Bosch Service Station.

Motor Brushes

The brushes and commutator in your tool have been engineered for many hours of dependable service. To maintain peak efficiency of the motor, we recommend every 2-6 months the brushes be examined. Only genuine Bosch replacement brushes specially designed for your tool should be used.

Motor Brush Replacement

To inspect or replace brushes:

1. Unplug the saw.

⚠ WARNING The brush cap is spring-loaded by the brush assembly.

2. Remove the brush cap on the motor using a wide, flat-blade screwdriver.
3. Pull out the brush (see Figure 64). Repeat for the opposite side.

NOTE: If installing the existing brush or brushes, make sure the brush goes in the same way it came out. Otherwise, a break-in period will occur that will reduce motor performance and increase brush wear.

4. Inspect brushes for wear. On the wide, flat side of brush is a wear limit line. If the brush contact face is at or beyond (no line visible) the limit, replace brushes as a set.
5. Install new brush. The two tabs on the brush terminal go in the same hole the carbon part fits into.
6. Tighten the brush cap but do not overtighten.

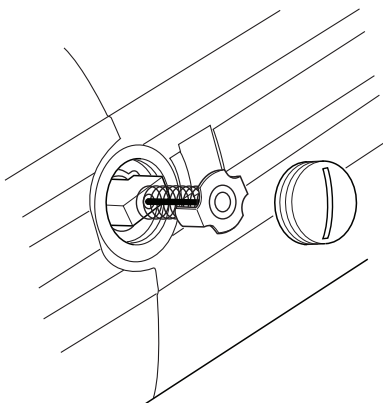


Figure 64. Motor Brush

Drive Belt

The drive belt is a long life component; however, after extensive use, it may require cleaning or replacement. Dust and debris may enter through the ventilation system and affect the performance of the belt. Periodically, the drive belt should be inspected for excessive wear. If the belt shows signs of drying out, cracking or tearing, it should be replaced. If the belt will not track properly or comes off the pulleys, it should be replaced. **Belt replacement should only be performed by an authorized service center.**

Cleaning / Inspecting Drive Belt:

1. Unplug the saw.
2. Remove the two belt cover screws using a #2 Phillips screwdriver.

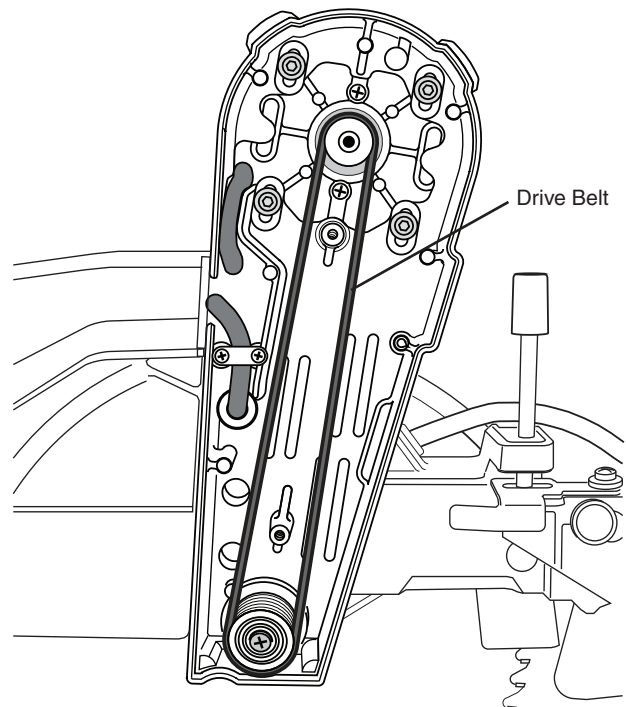


Figure 65. Drive Belt

3. Clean area with a brush or compressed air.
4. Inspect the belt. If dried out, cracked or excessively loose, it may require service and/or replacement.

⚠ WARNING To avoid possible injury, do not attempt to replace the drive belt (replacement requires special tools). Take saw to an authorized Bosch service center.

5. Replace belt cover and two cover screws.

Maintenance and Lubrication

Cleaning

⚠ WARNING To avoid accidents, always disconnect the tool from the power supply before cleaning or performing any maintenance. The tool may be cleaned most effectively with compressed air. Always wear safety goggles when cleaning tools with compressed air.

Ventilation openings and switch levers must be kept clean and free of foreign matter. Do not attempt to clean by inserting pointed objects through openings.

Check regularly to make sure the lower guard and all moving parts are working properly.

Remove accumulated sawdust from working parts by blowing with compressed air or wiping with a damp cloth.

⚠ WARNING Certain cleaning agents and solvents damage plastic parts. Some of these are: gasoline, carbon tetrachloride, chlorinated cleaning solvents, ammonia and household detergents that contain ammonia.

Care of Blades

Blades become dull even from cutting regular lumber. If you find yourself forcing the saw forward to cut instead of just guiding it through the cut, chances are the blade is dull or coated with wood pitch.

When cleaning gum and wood pitch from blade, unplug the saw and remove the blade. Remember, blades are designed to cut, so handle carefully. Wipe the blade with kerosene or similar solvent to remove the gum and pitch. Unless you are experienced in sharpening blades, we recommend you do not try.

Tool Lubrication

Your Bosch tool has been properly lubricated and is ready to use. It is recommended that tools with gears be regreased with a special gear lubricant at every brush change.

Periodically lubricate moving parts with a silicone, or light oil spray. Do not use grease because it tends to attract and hold sawdust.

Bearings

All bearings in this tool are lubricated with a sufficient amount of high-grade lubricant for the life of the unit under normal operating conditions. No further lubrication is required.

Troubleshooting

Troubleshooting Guide - Electrical

PROBLEM	CAUSE	CORRECTIVE ACTION
Brake does not stop blade in about 5 seconds.	<ol style="list-style-type: none"> 1. Brushes not seated or lightly sticking or worn. 2. Motor overheated from use of dull blade/too heavy of a blade, not recommended accessory or rapid on/off cycling. 3. Blade bolt loose. 4. Other. 	<ul style="list-style-type: none"> - Inspect/clean or replace brushes (see Maintenance and Lubrication section). - Use sharp blade. - Use a recommended blade. - Let saw cool down. - Tighten blade bolt. - Authorized service.
Motor does not start.	<ol style="list-style-type: none"> 1. Check that unit is plugged in. 2. Power source fuse or time delay fuse. 3. Brushes worn. 4. Other. 	<ul style="list-style-type: none"> - Plug unit in. Use different outlet. - 15-Amp time delay fuse or circuit breaker. - See Motor Brush Replacement in the Maintenance and Lubrication section. - Authorized service.
Flash of light from motor endcap when switch is released.	Normal - brake working properly.	-

Troubleshooting

Troubleshooting Guide - General

PROBLEM	CAUSE	CORRECTIVE ACTION
Head assembly does not bevel to desired position.	<ol style="list-style-type: none"> 1. Bevel detent pin is engaged. and locks bevel angle at 33.9°. 2. Bevel range selector knob setting limits movement. 	<ul style="list-style-type: none"> - Pull out 33.9° bevel detent pin, then rotate pin 1/4 turn to keep out. - Change bevel range selector knob position (see page 41).
Blade hits table.	Misalignment.	- Authorized service.
Angle of cut not accurate.	Angle stops at 0° or 45° need adjustment.	- See Adjustments section (pages 20-25).
Cannot rotate table to change miter angle.	<ol style="list-style-type: none"> 1. Miter lock knob is tightened. 2. Miter detent lever is engaged with a detent (slot) in detent plate. 3. Sawdust accumulation. 	<ul style="list-style-type: none"> - Turn miter lock knob counterclockwise to loosen. - Pull up on miter detent lever to disengage from detent slot (see page 33). - Vacuum or blow out dust around turntable; wear eye protection.
Head assembly will not fully raise or blade guard will not fully close.	<ol style="list-style-type: none"> 1. Head assembly lock pin is engaged. 2. Cover plate not tightened after replacing blade. 3. Sawdust accumulation. 4. Sawdust accumulation. 	<ul style="list-style-type: none"> - Pull out lock pin, allowing head assembly to go up (see page 17). - See Removing and Installing Blades on pages 13-14. - Clean head assembly. - Authorized service.
Blade binds, jams, burns wood. Rough cuts.	<ol style="list-style-type: none"> 1. Improper operation. 2. Dull blade. 3. Improper blade. 4. Bent blade. 	<ul style="list-style-type: none"> - See Saw Operations section. - Replace or sharpen blade. - Replace with 12" diameter blade designed for material being cut. - Replace blade.
Head assembly slides forward and back when making a chop cut.	Mechanism lock lever is disengaged.	Pull up on mechanism lock lever tab to engage (see page 18).
Bevel angle is not securely held when bevel lock lever is pushed.	Bevel lock lever needs tension adjustment.	Increase bevel lock lever force by adjusting tension nut (see page 25).
Glide mechanism is difficult to move forward and back.	Glide movement controller is set too tight.	Loosen two screws on the movement controller (see page 17).

Troubleshooting

Troubleshooting Guide - General

PROBLEM	CAUSE	CORRECTIVE ACTION
Tool vibrates or shakes.	1. Saw blade not round. 2. Saw blade damaged. 3. Saw blade loose. 4. Other	- Replace blade. - Replace blade. - Check that blade is properly seated on the inner washer. See Removing and Installing Blades on pages 13-14. - Authorized service.
Head assembly does not slide freely when attempting a slide cut.	Mechanism lock lever is engaged.	Push down on mechanism lock lever to disengage (see page 18).
Blade does not cut completely through workpiece.	1. Depth stop plate is pulled out for non-through cuts. 2. Replacement blade is less than 12" diameter.	- Push depth stop plate inward to set for full-depth cuts (see page 19). - Change to a blade that is fully 12" diameter.
Saw blade or lower guard cuts or contacts sliding fence when saw is set for bevel cuts.	Sliding fence is not moved out from path of saw blade before making bevel cut.	Move sliding fence to be clear of lower guard and saw blade; perform a "dry cut" to check for clearances before making bevel cuts (see page 41).
Bevel angle is not securely held when bevel lock lever is locked.	Bevel lock lever needs tension adjustment.	Increase bevel lock lever tension by adjusting lock nut (see page 25).

Accessories

DAF220K MiterFinder™ Digital Angle finder/Compound Cut Calculator/Protractor/Level
 – Gives you the information needed to position cuts so that they fit together precisely even if the room is out of square.

2610009331 Crown Stop Set – Correctly hold crown molding in an inclined position against fence. Set molding for simple vertical cutting – no compound cutting required.

T3B TracRac™ Portable Stand with Wheels
T4B Gravity-Rise Wheeled Miter Saw Stand

Seguridad

ADVERTENCIA “LEA TODAS LAS INSTRUCCIONES”. El incumplimiento de las NORMAS DE SEGURIDAD identificadas por el símbolo del PUNTO NEGRO (●) que se indican A CONTINUACION y otras precauciones de seguridad puede dar lugar a lesiones personales graves.

Normas generales de seguridad para herramientas para tablero de banco

Area de trabajo

- **Mantenga limpia y bien iluminada el área de trabajo.** Los bancos desordenados y las áreas oscuras invitan a que se produzcan accidentes.
- **No utilice herramientas mecánicas en atmósferas explosivas, tales como las existentes en presencia de líquidos, gases o polvos inflamables.** Las herramientas mecánicas generan chispas y éstas pueden dar lugar a la ignición del polvo o los vapores.
- **Mantenga alejadas a las personas que se encuentren presentes, a los niños y a los visitantes mientras esté utilizando una herramienta mecánica.** Las distracciones pueden hacerle perder el control.
- **Guarde las herramientas que no esté usando fuera del alcance de los niños y otras personas no capacitadas.** Las herramientas son peligrosas en las manos de los usuarios no capacitados.
- **No deje desatendida la herramienta en marcha. Apáguela.** No deje la herramienta hasta que se haya detenido por completo.
- **HAGA EL TALLER A PRUEBA DE NIÑOS** con candados, interruptores maestros o quitando las llaves de arranque.

Seguridad eléctrica

- **Antes de enchufar la herramienta, asegúrese de que la tensión del tomacorriente es compatible con la tensión especificada en la placa del fabricante dentro de un margen del 10%.** Una tensión del tomacorriente incompatible con la que se especifica en la placa del fabricante puede dar como resultado peligros graves y daños a la herramienta.
- **Las herramientas con aislamiento doble están equipadas con un enchufe polarizado (un terminal es más ancho que el otro). Este enchufe entrará en un tomacorriente polarizado solamente de una manera. Si el enchufe no entra por completo en el tomacorriente, déle la vuelta. Si sigue sin entrar, póngase en contacto con un electricista competente para instalar un tomacorriente polarizado. No haga ningún tipo de cambio en el enchufe.** El aislamiento doble elimina la necesidad de un cordón de energía de tres cables conectado a tierra y de una fuente de energía conectada a tierra.
- **Evite el contacto del cuerpo con las superficies conectadas a tierra, tales como tuberías, radiadores, estufas de cocina y refrigeradores.** Hay mayor riesgo de que se produzcan sacudidas eléctricas si su cuerpo está conectado a tierra.

- **No exponga las herramientas mecánicas a la lluvia ni a situaciones húmedas.** La entrada de agua en una herramienta mecánica aumentará el riesgo de que se produzcan sacudidas eléctricas.
- **No abuse del cordón. Nunca use el cordón para llevar las herramientas ni tire de él para desconectarlo del tomacorriente. Mantenga el cordón alejado del calor, el aceite, los bordes afilados o las piezas móviles. Cambie los cordones dañados inmediatamente.** Los cordones dañados aumentan el riesgo de que se produzcan sacudidas eléctricas.
- **Cuando utilice una herramienta mecánica a la intemperie, use un cordón de extensión para intemperie marcado “W-A” o “W”.** Estos cordones tienen capacidad nominal para uso a la intemperie y reducen el riesgo de que se produzcan sacudidas eléctricas.

Seguridad personal

- **Manténgase alerta, fíjese en lo que está haciendo y use el sentido común al utilizar una herramienta mecánica.** Un momento de descuido o el consumo de drogas, alcohol o medicamentos mientras se utilizan herramientas mecánicas puede ser peligroso.
- **Vístase adecuadamente. No se ponga ropa holgada ni joyas. Sujétese el pelo largo. Mantenga el pelo, la ropa y los guantes alejados de las piezas móviles.** La ropa holgada, las joyas o el pelo largo pueden quedar atrapados en las piezas móviles. Súbase las mangas largas por encima de los codos. Se recomiendan guantes de caucho y calzado antideslizante cuando se trabaja a la intemperie.
- **Evite el arranque accidental. Asegúrese de que el interruptor esté en la posición “OFF” (apagado) antes de enchufar la herramienta.** El llevar las herramientas con el dedo en el interruptor o el enchufar las herramientas que tienen el interruptor en la posición “ON” (encendido) invita a que se produzcan accidentes.
- **Quite las llaves de ajuste o las llaves de tuerca antes de ENCENDER la herramienta.** Una llave de tuerca o de ajuste que se deje puesta en una pieza giratoria de la herramienta saldrá despedida.
- **No intente alcanzar demasiado lejos. Mantenga un apoyo de los pies y un equilibrio adecuados en todo momento.** El apoyo de los pies y el equilibrio adecuados permiten un mejor control de la herramienta en situaciones inesperadas.
- **No se suba en la herramienta ni en su base.** Se pueden producir lesiones graves si la herramienta vuelca o si se hace contacto con la herramienta de corte accidentalmente. No guarde materiales sobre ni cerca de la herramienta de tal modo que sea necesario subirse a la herramienta o a su base para alcanzarlos.

“CONSERVE ESTAS INSTRUCCIONES”

Seguridad

ADVERTENCIA “LEA TODAS LAS INSTRUCCIONES”. El incumplimiento de las NORMAS DE SEGURIDAD identificadas por el símbolo del PUNTO NEGRO (●) que se indican A CONTINUACION y otras precauciones de seguridad puede dar lugar a lesiones personales graves.

- **Utilice equipo de seguridad. Use siempre gafas de seguridad.** Se debe utilizar una máscara antipolvo, calzado de seguridad, casco o protección en los oídos según lo requieran las condiciones. Los lentes de uso diario sólo tienen lentes resistentes a los golpes. NO son gafas de seguridad.

Utilización y cuidado de las herramientas

- **Utilice abrazaderas u otro modo práctico de fijar y soportar la pieza de trabajo en una plataforma estable.** La sujeción de la pieza de trabajo con la mano o contra el cuerpo resulta inestable. Permite que la pieza de trabajo se desplace y cause atasco de la herramienta y pérdida de control.
- **No fuerce la herramienta.** Use la herramienta correcta para la aplicación que desea. La herramienta correcta hará el trabajo mejor y con más seguridad a la capacidad nominal para la que está diseñada. No utilice la herramienta para propósitos para los que no está diseñada. Por ejemplo, no use la sierra para cortar ingletes para trocear metales.
- **No utilice la herramienta si el interruptor no la ENCIENDE o APAGA.** Cualquier herramienta que no se pueda controlar con el interruptor es peligrosa.
- **Desconecte el enchufe de la fuente de energía antes de hacer cualquier ajuste o de cambiar accesorios.** Estas medidas de seguridad preventivas reducen el riesgo de arrancar la herramienta accidentalmente.
- **Mantenga las herramientas de corte afiladas y limpias.** Es menos probable que las herramientas mantenidas adecuadamente, con bordes de corte afilados, se atasquen, y son más fáciles de controlar. Al montar hojas de sierra, asegúrese de que la flecha de la hoja coincida con el sentido de la flecha marcada en la herramienta y de que los dientes también estén orientados en el mismo sentido.
- **Inspeccione los protectores antes de usar una herramienta. Mantenga los protectores en su sitio. Compruebe si las piezas móviles se atascan o si existe cualquier otra situación que pueda afectar el funcionamiento normal o los dispositivos de seguridad de la herramienta. Si la herramienta se daña, haga que realicen servicio de ajustes y reparaciones antes de usarla.** Muchos accidentes son causados por herramientas mal mantenidas.
- **No altere ni haga uso incorrecto de la herramienta.** Cualquier alteración o modificación constituye un uso incorrecto y puede dar lugar a lesiones personales graves.
- **La utilización de cualquier otro accesorio no especificado en este manual puede constituir un peligro.** Los accesorios que pueden ser adecuados para un tipo de herramienta pueden resultar peligrosos cuando se utilizan en una herramienta inadecuada.

Servicio

- **El servicio de ajustes y reparaciones de una herramienta debe ser realizado únicamente por personal de reparaciones competente.** El servicio o mantenimiento realizado por personal no competente puede tener como resultado una colocación incorrecta de los cables y componentes internos que podría causar un peligro grave.
- **Al realizar servicio de ajustes y reparaciones de una herramienta, utilice únicamente piezas de repuesto idénticas. Siga las instrucciones contenidas en la sección “Mantenimiento y lubricación” de este manual.** El uso de piezas no autorizadas o el incumplimiento de las instrucciones de Mantenimiento puede constituir un peligro.

Normas de seguridad para sierras para cortar ingletes

- **Para reducir el riesgo de lesiones, use una hoja de sierra con capacidad nominal de 3800/min (RPM) o mayor.**
- **Use abrazaderas para soportar la pieza de trabajo siempre que sea posible. Si soporta la pieza de trabajo con la mano, siempre debe mantener la mano fuera del área de “No tocar con la mano” según se marca con un símbolo en la base. No use esta sierra para cortar piezas que sean demasiado pequeñas para fijarlas firmemente con abrazaderas.** Si coloca la mano dentro de la región de “No tocar con la mano”, ésta puede resbalar o experimentar tracción hacia la hoja.
- **No ponga ninguna mano detrás de la hoja de sierra tras el tope-guía para sujetar o soportar la pieza de trabajo, quitar desechos de madera ni por cualquier otra razón.** Puede que la proximidad de la mano a la hoja de sierra que gira no sea obvia, y sin embargo usted puede resultar lesionado gravemente.
- **Nunca atraviese la mano sobre la línea de corte prevista.** Es muy peligroso soportar la pieza de trabajo “con las manos cruzadas”, es decir, sujetando el lado izquierdo de la pieza de trabajo con la mano derecha.
- **Desconecte siempre el cordón de energía de la fuente de energía antes de hacer cualquier ajuste o colocar cualquier accesorio.** Usted podría arrancar la sierra involuntariamente, teniendo como resultado lesiones personales graves.
- **Las sierras para cortar ingletes están diseñadas principalmente para cortar madera o productos parecidos a la madera y no se pueden usar con ruedas de corte abrasivas para cortar material ferroso tal como barras, varillas, espigas, etc. Sin embargo, si corta materiales como aluminio u otros materiales no ferrosos, utilice únicamente hojas de sierra recomendadas específicamente para el corte de metales no ferrosos.** El corte de materiales ferrosos genera un exceso de chispas, dañará el protector inferior y sobrecargará el motor.

“CONSERVE ESTAS INSTRUCCIONES”

Seguridad

⚠ ADVERTENCIA “LEA TODAS LAS INSTRUCCIONES”. El incumplimiento de las NORMAS DE SEGURIDAD identificadas por el símbolo del PUNTO NEGRO (●) que se indican A CONTINUACION y otras precauciones de seguridad puede dar lugar a lesiones personales graves.

- **Inspeccione la pieza de trabajo antes de cortar. Si la pieza de trabajo está arqueada o combada, fijela con el lado arqueado exterior orientado hacia el tope-guía. Asegúrese siempre de que no haya espacio libre entre la pieza de trabajo, el tope-guía y la mesa a lo largo de la línea de corte.** Las piezas de trabajo arqueadas o combadas pueden torcerse u oscilar y pueden causar atasco en la hoja de sierra que gira durante el corte. Además, asegúrese de que no haya clavos ni objetos extraños en la pieza de trabajo.
- **No use la sierra hasta que se hayan retirado de la mesa todas las herramientas, desechos de madera, etc., excepto la pieza de trabajo.** Los desperdicios pequeños o las piezas sueltas de madera u otros objetos que hagan contacto con la hoja que gira pueden salir despedidos a alta velocidad hacia el operador.
- **No haga avanzar la pieza de trabajo hacia la hoja ni corte a pulso de ningún modo. La pieza de trabajo debe estar estacionaria y fijada con abrazaderas o sujeta con la mano.** Se debe hacer avanzar la sierra a través de la pieza de trabajo de modo suave y a una velocidad que no sobrecargue el motor de la sierra.
- **Corte únicamente una pieza de trabajo por vez.** No se pueden fijar con abrazaderas ni sujetar de modo adecuado múltiples piezas de trabajo y éstas pueden atascarse en la hoja o desplazarse durante el corte.
- **Asegúrese de que la sierra para cortar ingletes esté montada o colocada sobre una superficie de trabajo nivelada y firme antes de utilizarla.** Una superficie de trabajo nivelada y firme reduce el riesgo de que la sierra para cortar ingletes se vuelva inestable.
- **Planifique el trabajo que va a hacer. Proporcione accesorios de soporte adecuados, tales como mesas, caballetes de aserrar, extensiones de mesa, etc., para piezas de trabajo más anchas o más largas que el tablero de la mesa (vea la página 83).** Las piezas de trabajo más largas o más anchas que la mesa de la sierra para cortar ingletes se pueden inclinar si no se soportan adecuadamente. Si la pieza cortada o la pieza de trabajo se inclina, puede hacer subir el protector inferior o salir despedida por acción de la hoja que gira.
- **No use a otra persona como sustituto de una extensión de mesa o como soporte adicional.** Un soporte inestable de la pieza de trabajo puede hacer que la hoja se atasque o que la pieza de trabajo se desplace durante la operación de corte, tirando de usted y del ayudante hacia la hoja que gira.
- **La pieza cortada no debe estar bloqueada contra ningún otro medio ni presionada por ningún otro medio contra la hoja de sierra que gira.** Si se confina, es decir, si se usan topes de longitud, podría quedar acunada contra la hoja y salir despedida violentamente.
- **Use siempre una abrazadera o un dispositivo de sujeción diseñado para soportar adecuadamente material redondo tal como varillas con espiga o tubos.** Las varillas tienen tendencia a rodar mientras son cortadas, haciendo que la hoja “muerda” la pieza de trabajo y tire de ésta, junto con la mano del operador, hacia la hoja.
- **Al cortar piezas de trabajo que tienen forma irregular, planifique su trabajo de modo que la pieza de trabajo no resbale y pellizque la hoja y le sea arrancada de la mano.** Por ejemplo, una pieza de moldura debe estar colocada en posición horizontal o estar sujeta por un dispositivo de sujeción o un posicionador que no permita que la pieza se tuerza, oscile o resbale mientras esté siendo cortada.
- **Deje que la hoja alcance toda su velocidad antes de hacer contacto con la pieza de trabajo.** Esto ayudará a evitar que las piezas de trabajo salgan despedidas.
- **Si la pieza de trabajo o la hoja se atasca o engancha, APAGUE la sierra para cortar ingletes soltando el interruptor. Espere a que todas las piezas móviles se detengan y desenchufe la sierra para cortar ingletes. Luego, suelte el material atascado.** El aserrado continuo de una pieza de trabajo atascada podría causar pérdida de control o daños a la sierra para cortar ingletes compuestos.
- **La acción de frenado de la sierra hace que el cabezal de la sierra dé sacudidas hacia abajo. Este preparado para esta reacción al hacer un corte incompleto o al soltar el interruptor antes de que el cabezal esté en la posición completamente hacia ABAJO.**
- **Después de terminar el corte, suelte el interruptor, sujete el brazo de la sierra hacia abajo y espere a que la hoja se detenga antes de retirar la pieza de trabajo o la pieza cortada. Si la hoja no se detiene al cabo de cinco (5) segundos, desenchufe la sierra y siga las instrucciones que figuran en la sección Localización y reparación de averías. ¡ES PELIGROSO PONER LA MANO BAJO UNA HOJA QUE AUN GIRA POR INERCIA!**
- **Hay instrucciones de seguridad adicionales para operaciones específicas de la sierra en la sección de operaciones de la sierra. Lea el resto del manual para informarse sobre la utilización con seguridad.**
- **La sierra para cortar ingletes GCM12SD tiene una acción sumamente suave que requiere que el operador agarre firmemente el mango antes de “ENCENDER” la sierra. Para cortar con acción de deslizamiento, agarre primero el mango con interruptor en la posición hacia ARRIBA y jale hacia afuera de vuelta a la posición completamente extendida. La hoja no debe tocar la pieza de trabajo. Asegúrese de que la abrazadera no interfiera ni con el protector ni con el ensamblaje del cabezal. Segundo, ENCIENDA la sierra y bájela hasta la mesa. Luego, EMPUJE la sierra a través de la pieza de trabajo. Suelte el interruptor y espere a que la hoja se detenga por completo antes de subir el ensamblaje del cabezal y retirar la pieza de trabajo. Nunca “corte tirando de la sierra”, ya que la hoja puede subir a la superficie de la pieza de trabajo y causar RETROCESO.**
- **Para cortar con acción de troceado, mueva el ensamblaje del cabezal hasta la parte trasera tanto como se pueda y acople el cierre del mecanismo. Luego, ENCIENDA la sierra y baje el ensamblaje del cabezal para hacer el corte. Suelte el interruptor y espere a que la hoja se detenga por completo antes de subir el ensamblaje del cabezal y retirar la pieza de trabajo. Si no se realiza el bloqueo del mecanismo, el resultado puede ser que la hoja trepe repentinamente sobre la pieza de trabajo y se fuerce a sí misma hacia usted.**

“CONSERVE ESTAS INSTRUCCIONES”

Seguridad

ADVERTENCIA “LEA TODAS LAS INSTRUCCIONES”. El incumplimiento de las NORMAS DE SEGURIDAD identificadas por el símbolo del PUNTO NEGRO (●) que se indican A CONTINUACION y otras precauciones de seguridad puede dar lugar a lesiones personales graves.

- No permita que la familiarización obtenida por el uso frecuente de la sierra para cortar ingletes se vuelva algo habitual. Recuerde siempre que un descuido de una fracción de segundo es suficiente para causar una lesión grave.
- ¡PIENSE EN LA SEGURIDAD! LA SEGURIDAD ES UNA COMBINACION DE SENTIDO COMUN Y CONOCIMIENTO DE LAS INSTRUCCIONES DE SEGURIDAD Y DE FUNCIONAMIENTO POR PARTE DEL OPERADOR Y DE QUE ESTE PERMANEZCA ALERTA EN TODO MOMENTO MIENTRAS SE ESTA UTILIZANDO LA SIERRA PARA CORTAR INGLETES.

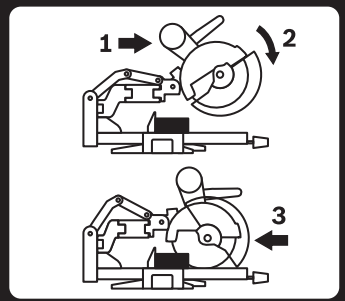
ADVERTENCIA LAS ADVERTENCIAS QUE SE MUESTRAN A CONTINUACION SE PUEDEN ENCONTRAR EN LA HERRAMIENTA. ESTAS ADVERTENCIAS SON SOLAMENTE UNA FORMA CONDENSADA DE LAS NORMAS Y PRECAUCIONES DE SEGURIDAD MAS DETALLADAS QUE APARECEN EN EL MANUAL DEL USUARIO. SIRVEN COMO RECORDATORIO DE TODAS LAS NORMAS DE SEGURIDAD NECESARIAS PARA LA UTILIZACION CON SEGURIDAD DE ESTA SIERRA PARA CORTAR INGLETES.

ADVERTENCIA No utilice la sierra para cortar ingletes Bosch GCM12SD para cortar fibrocemento. La sierra para cortar ingletes Bosch no está diseñada para cortar fibrocemento.

ADVERTENCIA Para reducir el riesgo de lesiones, el usuario debe leer y entender el manual de instrucciones. ▲ Use protección de los ojos y protección respiratoria. ▲ Use una hoja de sierra con capacidad nominal de 3800/min o mayor. ▲ No use la sierra si el sistema del protector no funciona correctamente. Si el protector no funciona con suavidad, haga que le den servicio de ajustes y reparaciones. Después de cambiar la hoja, regrese el protector a la posición de funcionamiento. ▲ Mantenga las manos a una distancia segura de la hoja de sierra. Manténgalas siempre fuera de la zona de “manos no”. ▲ Desconecte la sierra de la fuente de energía antes de realizar servicio de ajustes y reparaciones o de cambiar la hoja. ▲ No punga nunca las manos alrededor de la hoja de sierra ni detrás de ella. ▲ Mantenga las manos alejadas de los puntos de compresión ▲ No punga nunca las manos alrededor de la hoja de sierra ni detrás de ella. ▲ Fije o sujete con abrazaderas la pieza de trabajo contra la base y el tope-guía. No realice nunca operaciones a pulso. ▲ No corte transversalmente a las manos. Nunca ponga las manos o los brazos en la trayectoria proyectada de la hoja de sierra. Con el motor en la posición de apagado, haga una pasada de prueba para comprobar el alcance de la hoja. ▲ Para realizar cortes en bisel o compuestos, ajuste el tope-guía deslizante de manera que no esté en la trayectoria de la hoja y no interfiera con el sistema del protector. ▲ Después de apagar la sierra, manténgala en la posición hacia abajo y espere a que la hoja se detenga antes de retirar las piezas cortadas o cambiar los ajustes. ▲ Para evitar las descargas eléctricas, no exponga la herramienta a la lluvia ni la utilice en lugares húmedos. ▲ Cuando haga servicio de ajustes y reparaciones de la herramienta, utilice únicamente piezas de repuesto idénticas.

ADVERTENCIA PARA REALIZAR UN CORTE CON ACCIÓN DESLIZANTE, SIGA SIEMPRE ESTAS INSTRUCCIONES:

1. TIRE del carro de la sierra alejándolo del tope-guía, hasta que la hoja pase la pieza de trabajo o hasta su máxima extensión si la hoja no puede pasar la pieza de trabajo.
2. Encienda la sierra y bájela hasta la mesa.
3. EMPUJE la sierra a través de la pieza de trabajo. No corte nunca corte “tirando de la sierra”, ya que la hoja podría trepar por la pieza de trabajo, causando RETROCESO.



ADVERTENCIA Cierta polvo generado por el lijado, aserrado, amolado y taladrado mecánicos, y por otras actividades de construcción, contiene agentes químicos que se sabe que causan cáncer, defectos de nacimiento u otros daños sobre la reproducción. Algunos ejemplos de estos agentes químicos son:

- Plomo de pinturas a base de plomo,
- Sílice cristalina de ladrillos y cemento y otros productos de mampostería, y
- Arsénico y cromo de madera tratada químicamente.

Su riesgo por causa de estas exposiciones varía, dependiendo de con cuánta frecuencia realice este tipo de trabajo. Para reducir su exposición a estos agentes químicos: trabaje en un área bien ventilada y trabaje con equipo de seguridad aprobado, como por ejemplo máscaras antipolvo que estén diseñadas especialmente para impedir mediante filtración el paso de partículas microscópicas.



ZONAS DESIGNADAS DE PELIGRO. EVITE SITUAR LAS MANOS, LOS DEDOS O LOS BRAZOS EN EL AREA DESIGNADA POR ESTE SIMBOLO.



ÁREA DESIGNADA DE PUNTOS DE PELLIZCAMIENTO. ZONA DE PELIGRO. EVITE COLOCAR LAS MANOS, LOS DEDOS O LOS BRAZOS EN ESTAS ÁREAS. NO INTENTE NUNCA MOVER O LEVANTAR LA SIERRA EN ESTAS ÁREAS.



Do Not Carry the Saw by this handle.
No lleve la sierra por este mango.
Ne transportez pas la scie par sa poignée.


ÁREA DESIGNADA COMO NO APTA PARA EL TRANSPORTE. UNA ZONA DE PELIGRO. NO LEVANTE NI TRANSPORTE NUNCA LA SIERRA POR EL MANGO CON EL INTERRUPTOR PRINCIPAL.

“CONSERVE ESTAS INSTRUCCIONES”

Seguridad

⚠️ ADVERTENCIA “LEA TODAS LAS INSTRUCCIONES”. El incumplimiento de las NORMAS DE SEGURIDAD identificadas por el símbolo del PUNTO NEGRO (●) que se indican A CONTINUACION y otras precauciones de seguridad puede dar lugar a lesiones personales graves.

Herramientas con aislamiento doble

El aislamiento doble  es un concepto de diseño utilizado en las herramientas mecánicas eléctricas que elimina la necesidad de un cordón de energía de tres cables conectado a tierra y de un sistema de fuente de energía conectado a tierra. Es un sistema reconocido y aprobado por Underwriter's Laboratories, la CSA y las autoridades federales de la OSHA.

- El servicio de ajustes y reparaciones de una herramienta con aislamiento doble requiere cuidado y conocimiento del sistema y deberá ser realizado únicamente por un técnico de servicio competente.
- DURANTE EL SERVICIO DE AJUSTES Y REPARACIONES, UTILICE ÚNICAMENTE PIEZAS DE REPUESTO IDENTICAS.
- ENCHUFES POLARIZADOS. Si su herramienta está equipada con un enchufe polarizado (un terminal es más ancho que el otro), este enchufe entrará en un tomacorriente polarizado solamente de una manera. Si el enchufe no entra por completo en el tomacorriente, déle la vuelta. Si sigue sin entrar, póngase en contacto con un electricista competente para instalar el tomacorriente adecuado. No haga ningún tipo de cambio en el enchufe.

Cordones de extensión

- Sustituya los cordones dañados inmediatamente. La utilización de cordones dañados puede causar sacudidas, quemar o electrocutar.
- Si se necesita un cordón de extensión, se debe utilizar un cordón con conductores de tamaño adecuado para prevenir caídas de tensión excesivas, pérdidas de potencia o sobrecalentamiento. La tabla muestra el tamaño correcto a utilizar, según la longitud del cordón y la capacidad nominal en amperios indicada en la placa del fabricante de la herramienta. En caso de duda, utilice la medida más gruesa siguiente. Utilice siempre cordones de extensión catalogados por U.L. y la CSA.

TAMAÑOS RECOMENDADOS DE CORDONES DE EXTENSION

Capacidad nominal en amperios de la herramienta	HERRAMIENTAS DE 120 VOLT A.C. Longitud del cordón en pies Tamaño del cordón en calibres A.W.G.			
	25	50	100	150
3-6	18	16	16	14
6-8	18	16	14	12
8-10	18	16	14	12
10-12	16	16	14	12
12-16	14	12	N/A	N/A

NOTA: Cuanto más pequeño es el número de calibre, más grueso es el cordón.

“CONSERVE ESTAS INSTRUCCIONES”

Índice

Seguridad	56-60	Preparación para las operaciones de la sierra	82-85
Normas generales de seguridad para herramientas para tablero de banco	56-57	Posición del cuerpo y de las manos	82
Normas de seguridad para sierras para cortar ingletes	57-60	Soporte de la pieza de trabajo	83-84
Índice	61	Operaciones de la sierra	86-104
Requisitos eléctricos	61	Activación del interruptor	86
Freno eléctrico	61	Utilización del sistema de retén de inglete	87
Familiarización con la sierra para cortar ingletes	62-63	Sobrecontrol del retén de inglete	87
Ensamblaje	64-70	Cortes de troceado	88
Desempaquetado y comprobación del contenido	64	Cortes deslizantes	89
Herramientas necesarias para el ensamblaje y la alineación	65	Cortes a inglete	90-92
Instalación de las piezas sueltas	66	Cortes en bisel	93-96
Remoción e instalación de las hojas	67-68	Cortes compuestos	97
Ensamblaje del sistema de recolección de polvo	69-70	Corte de ranuras	98
Ajustes	71-79	Corte de moldura de base	99
Utilización del pasador de fijación del ensamblaje del cabezal	71	Corte de moldura de corona	99
Utilización del controlador del movimiento deslizante	71	Moldura de corona angulada con la mesa y el tope-guía ..	100
Utilización de la palanca de fijación del mecanismo	72	Moldura de corona colocada horizontalmente sobre la mesa	101
Ajuste de la profundidad de corte	73	Tope-guía auxiliar para moldura de corona	102-103
Sistema de retén de inglete: Procedimiento de ajuste	74	Cortes especiales	104
Tope de bisel de 0°: Procedimiento de ajuste	75-76	Mantenimiento y lubricación	105-106
Tope de bisel de 45°: Procedimiento de ajuste	77-78	Localización y reparación de averías	107-109
Ajuste de la tensión del cierre de bisel	79	Guía de localización y reparación de averías eléctricas	107
Ajuste del perno estabilizador delantero	79	Guía de localización y reparación de averías generales ..	108-109
Transporte y montaje	80-81	Accesorios	109
Aplicaciones de montaje	81		

Requisitos eléctricos

- Conecte esta sierra a un circuito derivado de 120 V y 15 A con cortacircuito o un fusible de 15 amperios de acción retardada. La utilización de un fusible de tamaño incorrecto puede dañar el motor.
- Los fusibles pueden fundirse o los cortacircuitos pueden dispararse frecuentemente si se sobrecarga el motor. La sobrecarga puede producirse si se hace avanzar la hoja por la pieza de trabajo demasiado rápido o si se arranca y se detiene demasiado frecuente en un período de tiempo corto.
- La mayoría de los problemas del motor se pueden atribuir a conexiones flojas o incorrectas, sobrecarga, tensión baja (tal como un cable de tamaño pequeño en el circuito de alimentación o un cable del circuito de alimentación demasiado largo). Compruebe siempre las conexiones, la carga y el circuito de alimentación cuando el motor no funciona bien.

Freno eléctrico

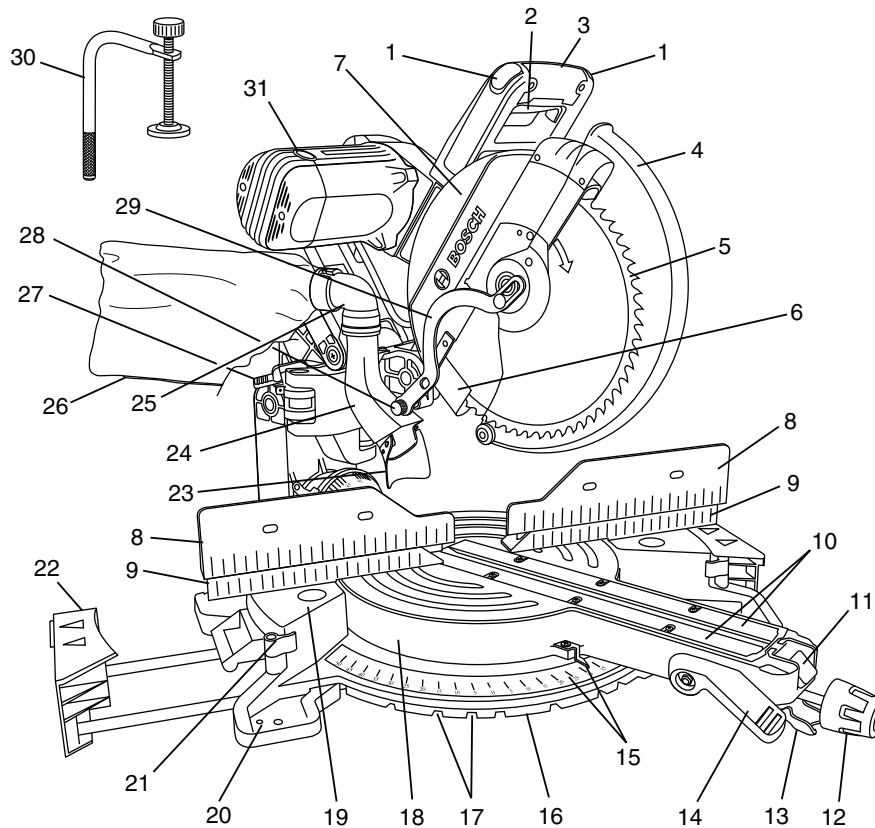
La sierra está equipada con un freno eléctrico automático que está diseñado para hacer que la hoja deje de girar en unos cinco (5) segundos después que usted suelte el interruptor gatillo. Es útil al hacer ciertos cortes en madera donde una hoja que aún gire por inercia podría producir un corte ancho e impreciso.

⚠ ADVERTENCIA Cuando se pierda la energía eléctrica debido a que se haya fundido un fusible o a otras causas, la velocidad del motor se reducirá gradualmente y la acción de frenado se iniciará ÚNICAMENTE al soltar el interruptor gatillo.

El freno eléctrico de la hoja de la sierra ha sido diseñado para proporcionar el más alto grado de confiabilidad, pero circunstancias inesperadas, tales como presencia de contaminación en el conmutador y en las escobillas o avería de los componentes del motor, pueden hacer que el freno no se active. Si se produce esta situación, encienda (posición "ON") y apague (posición "OFF") la sierra cuatro o cinco veces sin entrar en contacto con la pieza de trabajo. Si la herramienta funciona pero el freno no detiene la hoja cada vez en unos 5 segundos, NO utilice la sierra y haga que se realice servicio de ajustes y reparaciones inmediatamente.

⚠ ADVERTENCIA La acción de frenado de esta sierra no está proyectada como dispositivo de seguridad. Recuerde dejar que la hoja de la sierra se detenga por completo antes de retirarla de la pieza de trabajo. Como siempre, el sistema de protectores constituye la mejor protección para usted contra el contacto no intencional con la hoja de sierra que gira. NUNCA ponga cuñas para mantener abierto el protector inferior ni anule la acción de cierre de dicho protector.

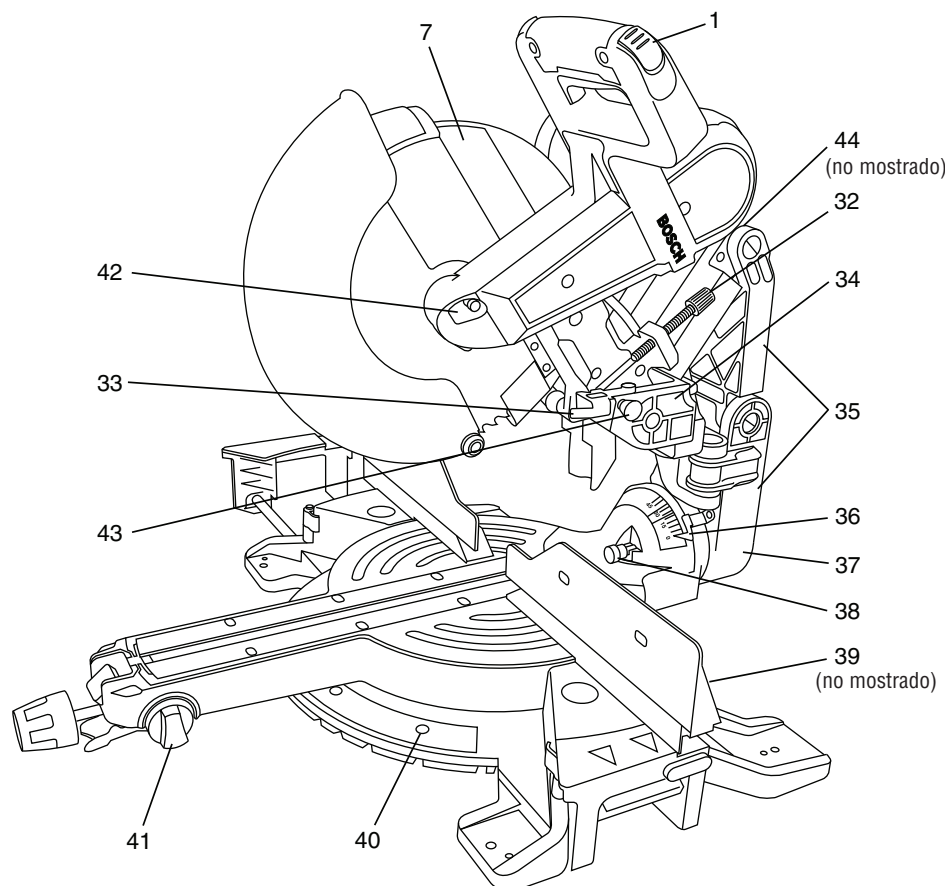
Familiarización con la sierra para cortar ingletes



⚠ ADVERTENCIA Para evitar lesiones debidas a un arranque accidental, saque el enchufe del tomacorriente de la fuente de energía antes de hacer cualquier ajuste.

- 1. Botones de liberación de la "Fijación en Off" (apagado)** – Uno de estos dos botones debe estar oprimido para activar el interruptor de encendido.
- 2. Interruptor de encendido** – El interruptor de encendido utilizado con el botón de "Fijación en OFF" enciende la unidad.
- 3. Mango principal** – Este mango contiene el interruptor. La hoja se baja hacia la pieza de trabajo empujando este mango hacia abajo.
- 4. Protector inferior de la hoja/reborde del protector inferior** – El protector inferior de la hoja ayuda a proteger las manos del operador contra la hoja que gira. Se retrae al bajar la hoja. El reborde se puede utilizar para subir el protector inferior en caso de que dicho protector se atore en una pieza de trabajo.
- 5. Hoja** – Utilice únicamente hojas de 12 pulgadas (308 mm) de diámetro con agujeros para eje portaherramienta de 1 pulgada (25.4 mm) de diámetro.
- 6. Deflector de virutas** – Desvía las piezas de trabajo cortadas para que no entren en el protector superior.
- 7. Protector superior** – Cubre la porción superior de la hoja.
- 8. Tope-guía deslizante** – Soporta la pieza de trabajo. El tope-guía tiene una escala fundida para hacer cortes repetitivos fácilmente. El tope-guía también tiene agujeros que se usan para fijar un tope-guía auxiliar si así se desea.
- 9. Tope-guía estacionario** – El tope-guía estacionario está emperrado a la base y soportará la pieza de trabajo cuando se retire el tope-guía deslizante.
- 10. Accesorios de inserción para la separación de corte** – Los accesorios de inserción para la separación de corte se pueden ajustar a diferentes anchos de hoja para minimizar el desgarro de la pieza de trabajo.
- 11. Sobrecontrol del retén de inglete** – Permite anular la acción del retén para facilitar los microajustes a cualquier ángulo de inglete.
- 12. Pomo de fijación de inglete** – El pomo de fijación de inglete fija la mesa de la sierra para cortar ingletes en cualquier ángulo de inglete que se desee.
- 13. Gatillo de retén del inglete** – Este gatillo suelta la mesa de la sujeción del retén.
- 14. Palanca de fijación de bisel** – La palanca de fijación de bisel posicionada en la parte delantera bloquea el ensamblaje del cabezal en el ángulo de bisel deseado.
- 15. Escala de ingletes/Indicador de inglete** – El indicador rota con la mesa y la hoja. Señala hacia la escala de ingletes para indicar el ajuste de ángulo antes de realizar un corte.
- 16. Placa de retén de inglete** – La posición de la placa se puede ajustar para regular la precisión de sus ubicaciones de retén.
- 17. Retenes de inglete** – Hay diez (10) retenes de inglete para cortes de inglete a ángulos de inglete comunes con rapidez y precisión.
- 18. Mesa** – Está asentada sobre la base, proporciona soporte a la pieza de trabajo, gira para realizar los cortes de inglete deseados y gira el ensamblaje del cabezal. La parte delantera extendida de la mesa se llama brazo de inglete.
- 19. Base** – Proporciona una superficie de trabajo para soportar la pieza de trabajo.
- 20. Plataformas de montaje de la herramienta** – Las cuatro esquinas de la sierra proporcionan áreas para fijar con abrazaderas, atornillar o clavar la sierra a una superficie de trabajo plana.

Familiarización con la sierra para cortar ingletes



NOTA: Para ver los artículos 21 a 31, consulte la página 62.

- 21. Palancas de fijación de las extensiones de la base** – Fijan las extensiones de la base en las posiciones deseadas.
- 22. Extensiones deslizantes de la base** – Brindan soporte adicional para la pieza de trabajo. Útiles cuando se cortan piezas de trabajo largas.
- 23. Deflector de goma** – Se acopla a la parte inferior de conducto para polvo. Desvía el polvo a dicho conducto.
- 24. Conduco para polvo** – Dirige el aserrín hacia arriba, a través del codo y hasta la bolsa.
- 25. Codo** – Conecta el conducto para polvo a la bolsa para polvo. Se puede rotar para dirigir el polvo.
- 26. Bolsa para polvo** – Tiene una cremallera en la parte inferior. La bolsa se puede desacoplar del codo para vaciarla.
- 27. Palanca de fijación del mecanismo** – Sujeta la sierra en la posición completamente hacia atrás para realizar cortes de troceado o completamente extendida para el transportarla.
- 28. Pomo del eslabón** – Sujeta el eslabón del protector al poste de pivote.
- 29. Eslabón del protector inferior** – Permite un movimiento suave del protector inferior.
- 30. Abrazadera** – Utilicela para sujetar la pieza de trabajo a la mesa y la base; insértela en la ubicación del poste de abrazadera (artículo 30).
- 31. Tapa de las escobillas** – Mantiene las escobillas del motor en la posición correcta. Brinda acceso para inspeccionar y reemplazar las escobillas.
- 32. Tornillo de tope de profundidad** – Gire el extremo del pomo para ajustar la profundidad de la hoja con el fin de cortar ranuras.
- 33. Placa del tope de profundidad** – La placa se puede girar hacia fuera para limitar la profundidad del recorrido de la hoja.

- 34. Poste de pivote** – Proporciona soporte para el cabezal de la sierra, el sistema de recolección de polvo y otras partes funcionales.
- 35. Mecanismo de deslizamiento axial** – Permite que la sierra se deslice suavemente hacia dentro y hacia fuera. Se puede bloquear en las posiciones completamente hacia atrás o completamente extendida.
- 36. Escala de bisel e indicadores** – La escala es grande y está angulada. Permite al usuario leer fácilmente los ángulos de bisel. El indicador señala cuál es el ángulo actual.
- 37. Poste de bisel** – Brinda soporte de rotación para todas las piezas de la sierra para cortar ingletes por encima de la mesa.
- 38. Pasador de retén de bisel (ajuste de moldura de corona)** – Cuando está acoplado, bloquea el ensamblaje del cabezal en el ángulo de bisel de 33.9° a la izquierda o a la derecha.
- 39. Ubicaciones de poste de abrazadera** – Dos agujeros para postes verticales en la base; provistos para insertar la abrazadera (artículo 30).
- 40. Tornillos de la placa de retén de inglete** – Cuatro tornillos accesibles a través de agujeros en la escala de ingletes. Estos tornillos se aflojan al ajustar la posición de la placa de retén.
- 41. Pomo selector del intervalo de bisel** – Permite la selección de 3 intervalos de bisel: “0-45° a la izquierda”, “0-45° a la derecha” o “Máximo ángulo de bisel de 47°”.
- 42. Cierre del eje portaherramienta** – Presione el botón del cierre del eje portaherramienta para evitar que la hoja rote al aflojar o apretar el perno del eje portaherramienta durante la remoción o instalación de la hoja.
- 43. Pasador de fijación del ensamblaje del cabezal** – Se utiliza para bloquear el ensamblaje del cabezal en la posición más baja para el transporte.
- 44. Controlador del movimiento de deslizamiento** – Se ajusta para regular el movimiento del mecanismo de deslizamiento.

Ensamblaje

Desempaquetado y comprobación del contenido

Desempaquetado de la sierra para cortar ingletes – Cuando saque esta herramienta de los materiales de empaquetamiento, meta las manos hasta las ubicaciones de los dos mangos de transporte laterales y levántela lentamente hasta que salga del paquete.

Comprobación del contenido del paquete – Abra la parte de arriba del paquete y busque las piezas sueltas incluidas. Consulte el diagrama que aparece más abajo.

ADVERTENCIA Para evitar sufrir pellizcamientos graves, no levante ni mueva nunca esta sierra agarrando algún componente del sistema de soporte del mecanismo.

Algunas piezas pequeñas, tales como la palanca de fijación de bisel y el pomo de fijación de inglete, requieren instalación en la herramienta antes de que ésta esté lista para utilizarse. Consulte “Instalación de las piezas sueltas” en la página 66.



Este símbolo está colocado en diversos lugares de la herramienta para advertir al usuario de las áreas de puntos de pellizcamiento. of pinch-point areas.

ADVERTENCIA Para evitar posibles lesiones, desconecte siempre el enchufe de la fuente de alimentación antes de realizar cualquier ensamblaje, ajuste o reparación.

Piezas sueltas – Se muestra una de cada



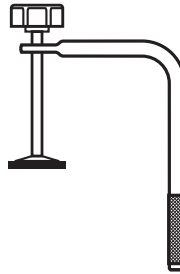
Ponga una marca para cada pieza



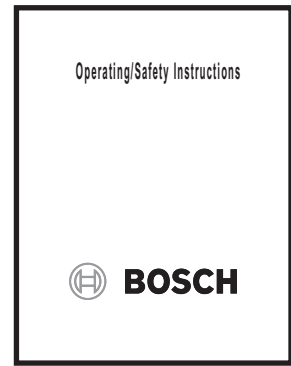
Arandela plana de 10 mm



Abrazadera para la pieza de trabajo



Manual



Palanca de fijación de bisel



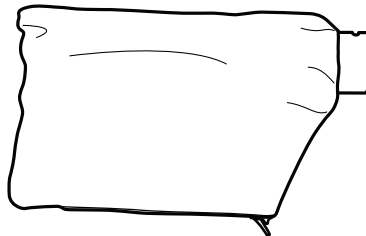
Arandela plana de 6 mm



Tuerca de fijación de 6 mm



Bolsa para polvo



Herramienta de llave de tubo de 10 mm



Llave hexagonal de 6/4 mm

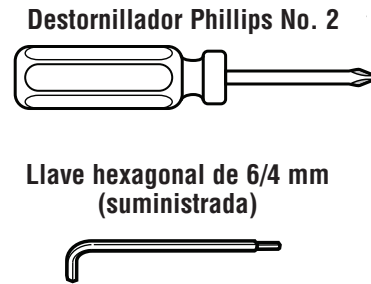
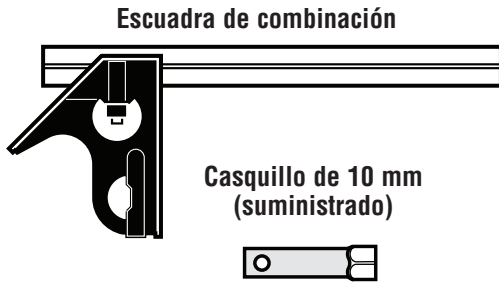


Pomo de fijación de inglete



Ensamblaje

Herramientas necesarias para el ensamblaje y la alineación

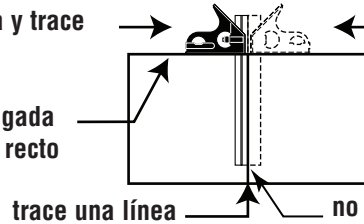


NOTA: La llave hexagonal de 6/4 mm suministrada se puede sustituir con una llave hexagonal de 6 mm y una de 4 mm.

La escuadra de combinación debe estar alineada. Comprobación de la escuadra de combinación

1. Posicione la escuadra y trace una línea clara

Tabla de 3/4 de pulgada con borde superior recto



2. Voltee la escuadra (mostrada en la posición de la línea de puntos)

3. Compruebe el borde de la escuadra volteada contra la línea trazada. No debería haber holgura ni superposición en el extremo inferior.

no debería haber holgura ni superposición

Ensamblaje

Instalación de las piezas sueltas

ADVERTENCIA Para evitar posibles lesiones, desconecte el enchufe de la fuente de alimentación antes de realizar cualquier ensamblaje, ajuste o reparación.

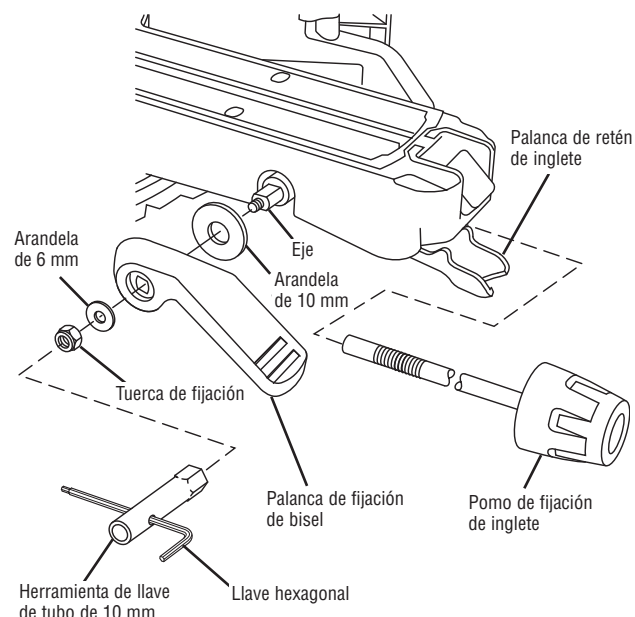


Figura 1

Instalación de la palanca de fijación de bisel – Esta sierra para cortar ingletes se empaqueta con el cabezal de la sierra bloqueado en un ángulo de bisel de 0°. La palanca de fijación de bisel se debe instalar antes de utilizar la herramienta.

1. Deslice la arandela plana de 10 mm sobre el eje (el área con superficies planas).
2. Deslice la palanca de fijación de bisel sobre el eje, alineando las superficies planas del eje con las superficies planas del agujero de montaje de la palanca. La palanca debería estar horizontal con el mango en la parte delantera (vea la figura 1).
3. Deslice la arandela plana de 6 mm sobre el eje (el área con roscas de tornillo) y contra la pared hendida de la palanca.
4. Apriete con los dedos la tuerca de fijación de 10 mm en el eje. Utilice la herramienta de llave de tubo de 10 mm para apretar la tuerca de fijación. NOTA: La llave hexagonal de 6/4 mm se coloca a través de los agujeros de la herramienta de llave de tubo para ayudar a apretar.
5. Levante la palanca de fijación de bisel y empújela de vuelta hacia abajo para asegurarse de que la palanca esté segura en su sitio.

Instalación del pomo de fijación de inglete – Localice el pomo de fijación de inglete entre las piezas sueltas.

1. Mire debajo del brazo delantero de la mesa giratoria encima de la palanca de fijación y localice el agujero de 10 mm (vea la figura 1).
2. Inserte el eje largo del pomo de fijación de inglete a través de este agujero hasta que se detenga.
3. Gire el pomo en el sentido de las agujas del reloj (aproximadamente 10 revoluciones completas) hasta que esté apretado o “bloqueado”.
4. Afloje el pomo 1/2 vuelta para desbloquearlo. La mesa estará ahora libre para ser movida sobre la base.

Utilización del pomo de fijación de inglete –

1. Afloje el pomo de fijación de inglete.
2. Mientras sostiene el pomo en la palma de la mano, baje el dedo índice o corazón y jale hacia arriba la palanca de retén. Mientras agarra el pomo, rote la mesa hacia la izquierda o hacia la derecha hasta el ángulo de inglete necesario y suelte la palanca.
3. Apriete el pomo una vez que esté en el ángulo correcto.

NOTA: Se recomienda apretar el pomo de fijación de inglete antes de todos los cortes. Se requiere apretar el pomo antes de cortar a cualquier ángulo entre los acoplamientos de retén o cuando se esté utilizando el sistema de sobrecontrol del retén de inglete.

Almacenamiento de la llave hexagonal de 6/4 mm – Hay un lugar de almacenamiento en la sierra para almacenar la llave hexagonal de 6/4 mm. Inserte la pata corta de la llave hexagonal a través de la arandela de refuerzo de goma de la manera que se muestra en la ilustración. Coloque la pata larga dentro del apoyo para la herramienta y presione hacia abajo al interior del clip retenedor (vea la Figura 2).

NOTA: La llave hexagonal de 6/4 mm se necesita para cambiar la hoja y hacer ajustes a la herramienta. Si se pierde, se puede sustituir con dos llaves hexagonales separadas: una llave hexagonal de 4 mm y una llave hexagonal de 6 mm.

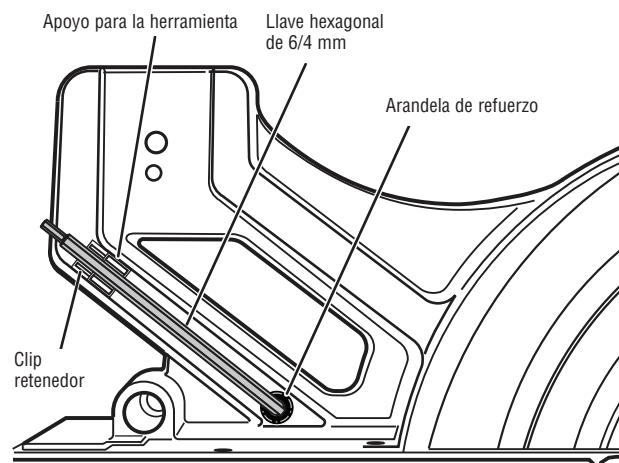


Figura 2. Almacenamiento de la llave hexagonal

Ensamblaje

Remoción e instalación de las hojas

ADVERTENCIA Para evitar posibles lesiones, desconecte el enchufe de la fuente de alimentación antes de realizar cualquier ensamblaje, ajuste o reparación.

Ensamblaje del protector móvil

1. Ubique la sierra en la posición hacia ARRIBA y a un bisel de 0°. Si está en la posición hacia ABAJO, presione ligeramente hacia abajo sobre el ensamblaje del cabezal de la sierra y jale hacia fuera el pasador de fijación del ensamblaje del cabezal (artículo 43, página 63); luego, deje que el cabezal de la sierra suba (vea la figura 3).
2. Desenrosque a mano el pomo del eslabón (artículo 28, página 63) del poste de pivote y deje que el ensamblaje del eslabón cuelgue. El pomo del eslabón permanecerá en el eslabón.
3. Afloje el tornillo de la placa de cubierta delantera dos vueltas utilizando la llave hexagonal de 6/4 mm. No retire el tornillo. Se puede utilizar una llave hexagonal de 4 mm como alternativa.
4. Afloje el tornillo de la placa trasera seis vueltas completas utilizando la llave hexagonal de 6/4 mm. No retire el tornillo.
5. Deslice la placa de cubierta hacia abajo y hacia fuera del tornillo trasero. Rote la placa de cubierta y el protector inferior en sentido contrario al de las agujas del reloj alrededor del tornillo delantero. Mientras sujeta el protector inferior hacia arriba contra el protector superior, mueva el eslabón para que su agujero redondo pueda ir sobre el tornillo trasero. Suéltelo y el ensamblaje del protector inferior quedará sujeto fuera del paso (vea la figura 4).

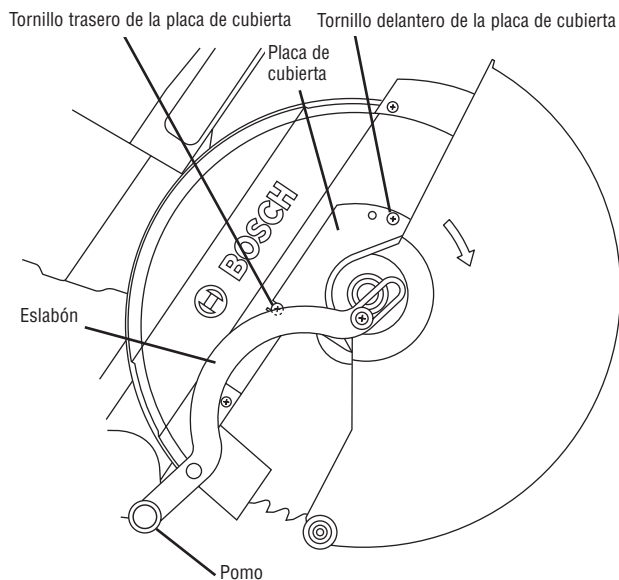


Figura 3

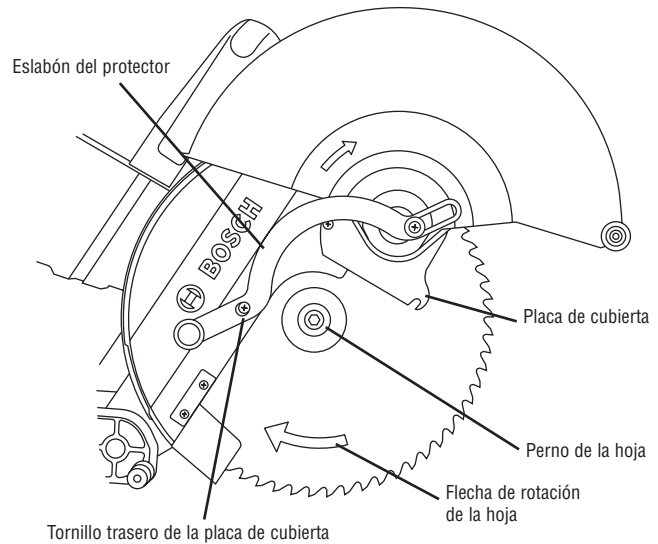


Figura 4

Remoción de la hoja

1. Presione y mantenga presionado el cierre del eje portaherramienta (el botón rojo ubicado en el lado opuesto del protector superior, artículo 42, página 63). Rote la hoja lentamente mientras presiona el cierre del eje portaherramienta hasta que se asiente completamente en su posición fija.
2. Utilizando la llave hexagonal de 6/4 mm, afloje el perno de la hoja girándolo firmemente **en el sentido de las agujas del reloj**. NOTA: Este perno tiene roscas a izquierdas.
3. Retire el perno de la hoja y la arandela exterior. Agarre cuidadosamente la hoja. Deslice la hoja alejándola de la arandela interior y separándola del eje portaherramienta y luego hacia abajo y alejándola de la sierra. Deje la arandela interior en el eje portaherramienta (vea la figura 5).

Ensamblaje

Remoción e instalación de las hojas

⚠️ ADVERTENCIA Para evitar posibles lesiones, desconecte el enchufe de la fuente de alimentación antes de realizar cualquier ensamblaje, ajuste o reparación.

Instalación de una hoja de 12 pulgadas

⚠️ ADVERTENCIA Para evitar lesiones, no utilice una hoja mayor o menor de 12 pulgadas de diámetro y eje portaherramienta de 1 pulgada. El grosor máximo del plato de la hoja es 0.100 pulgadas.

⚠️ ADVERTENCIA Para reducir el riesgo de lesiones, use una hoja de sierra con capacidad nominal de 3800/min (RPM) o mayor.

1. Siga todos los pasos de "Ensamblaje del protector móvil" y "Remoción de la hoja".
2. Maneje cuidadosamente la hoja nueva. Asegúrese de que la flecha de rotación ubicada en la hoja coincida con la flecha de rotación ubicada en el protector inferior. Deslice la hoja hacia arriba, entre los lados del deflector de virutas y por el eje portaherramienta. Mueva la hoja de manera que su agujero para eje portaherramienta vaya alrededor del anillo de soporte de la arandela interior (vea las figuras 4 y 5).
3. Coloque la arandela exterior sobre el eje portaherramienta y apriete con los dedos el perno de la hoja (en sentido contrario al de las agujas del reloj). Asegúrese de que la hoja haya permanecido en el anillo de soporte de la arandela interior.
4. Rote la hoja lentamente mientras presiona el cierre del eje portaherramienta hasta que se asiente completamente en su posición fija.
5. Utilizando la llave hexagonal de 6/4 mm, apriete firmemente el perno de la hoja **en sentido contrario al de las agujas del reloj**. NOTA: Este perno tiene roscas a izquierdas. No lo apriete excesivamente. Se puede utilizar una llave hexagonal de 6 mm como alternativa.
6. Retire el eslabón del protector inferior del tornillo trasero de la placa de cubierta. Rote el protector inferior y la placa de cubierta alrededor del tornillo delantero de la placa de cubierta hasta que la ranura de la placa de cubierta se deslice debajo de la cabeza del tornillo trasero de la placa de cubierta. Apriete completamente ambos tornillos de la placa de cubierta utilizando la llave hexagonal de 6/4 mm.
7. Coloque el eslabón del protector inferior de vuelta en la posición original y luego apriete firmemente con los dedos el pomo del eslabón en el poste de pivote. Es posible que sea necesario retraer el protector interior mientras se aprieta el pomo del eslabón.
8. Asegúrese de que el cierre del eje portaherramienta esté suelto para que la hoja gire libremente.
9. Coloque la llave hexagonal de 6/4 mm de vuelta en el área de almacenamiento.

⚠️ ADVERTENCIA Apriete los tornillos de la placa de cubierta. Si los tornillos de la placa de cubierta están flojos, pueden interferir con el protector inferior de la hoja y engancharlo. No utilice nunca la sierra si tener la placa de cubierta instalada de manera segura en su sitio. El protector inferior no funcionará correctamente.

⚠️ ADVERTENCIA Después de instalar una hoja nueva, asegúrese de que la hoja no interfiera con el inserto de la mesa en las posiciones de bisel a 0° y 45°. Baje la hoja al interior de la ranura para la hoja y compruebe si hay contacto con la base o la estructura de la mesa giratoria. Si la hoja contacta la base o la mesa, obtenga servicio autorizado.

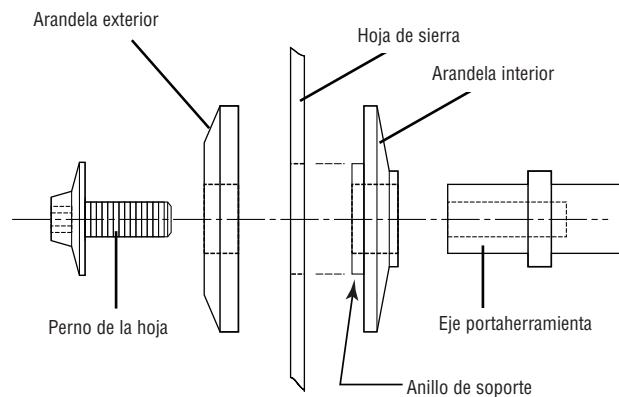


Figura 5. Herrajes de la hoja

Ensamblaje

Ensamblaje del sistema de recolección de polvo

⚠️ ADVERTENCIA Para evitar posibles lesiones, desconecte el enchufe de la fuente de alimentación antes de realizar cualquier ensamblaje, ajuste o reparación.

El sistema de recolección de polvo utilizado en esta herramienta es único porque no se conecta al protector superior. Esta colocación brinda una recolección de polvo extraordinaria para la mayoría de cortes. Cuando ajuste o retire cualquier componente de recolección de polvo, asegúrese de que la sierra esté desenchufada.

Codo

El codo se instala en la parte de arriba del conducto para polvo. **NOTA:** Se recomienda que el codo esté colocado siempre antes de utilizar la herramienta. Se requiere para dirigir el polvo y los residuos alejándolos del operador. El codo se puede rotar hasta que esté en la posición correcta. El codo soporta la bolsa para polvo o se puede conectar a una aspiradora.

Remoción del codo – Para realizar limpieza, el codo se puede retirar jalándolo hacia arriba y girándolo hasta que esté libre del conducto para polvo. Reinstale el codo presionándolo y girándolo hasta que se acople a presión sobre el anillo de retención moldeado en la pieza del conducto para polvo. Reinstálelo siempre antes de utilizar la sierra.

Instalación y ajuste de la bolsa para polvo

Instalación (y remoción) de la bolsa para polvo – El codo tiene pasadores en la parte superior y la parte inferior del orificio de salida que acoplarán el extremo del acoplador del ensamblaje de la bolsa para polvo. Para instalar la bolsa para polvo, alinee las ranuras del acoplador con los pasadores del codo y luego empújela y gírela en el sentido de las agujas del reloj. Para retirar la bolsa para polvo, tire el acoplador en sentido contrario al de las agujas del reloj y luego jale para separarlo. Deje siempre el codo en el conducto para polvo (vea la figura 6).

Ajuste de la bolsa para polvo – Después de instalar la bolsa, se recomienda hacer un “corte en seco” antes de cortar con la sierra. Esto significa: Desenchufe la herramienta, preajústela para el corte previsto y practique el corte. Para algunos cortes en bisel, es posible que haya que mover o quitar el tope-guía deslizante para evitar resultar cortado o hacer contacto con la bolsa para polvo. También es posible que la posición de la bolsa necesite un ajuste de rotación si contacta la pieza de trabajo durante un corte deslizante.

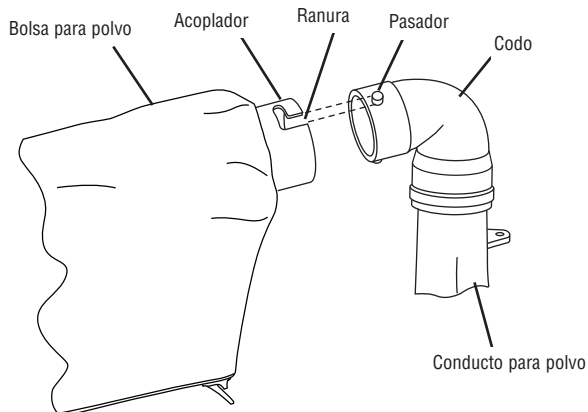


Figura 6

Utilización y limpieza de la bolsa para polvo

Utilización de la bolsa para polvo – Acople la bolsa limpia al codo. Ajuste el codo y la bolsa para polvo, si es necesario, para que no interfieran con la herramienta durante la operación de corte prevista.

Limpieza de la bolsa para polvo – Después de que la bolsa para polvo esté llena de 2/3 a 3/4, retírela de la sierra. Lleve la bolsa a un recipiente apropiado y abra la cremallera ubicada en la parte inferior de la bolsa. Sujete la bolsa por el extremo del acoplador y sacúdala vigorosamente hasta que todo el polvo y todos los residuos hayan caído de ella. Cierre la cremallera y reinstale la bolsa. **NOTA:** Limpie la bolsa al final de la sesión de corte y antes de transportar o almacenar la sierra (vea la figura 7).

⚠️ ADVERTENCIA Sea sumamente cuidadoso cuando elimine el polvo. Los materiales en forma de partículas finas pueden ser explosivos. No arroje aserrín a un fuego al descubierto. Con el tiempo se puede producir una combustión espontánea como resultado de la mezcla de aceite o agua con las partículas de polvo.

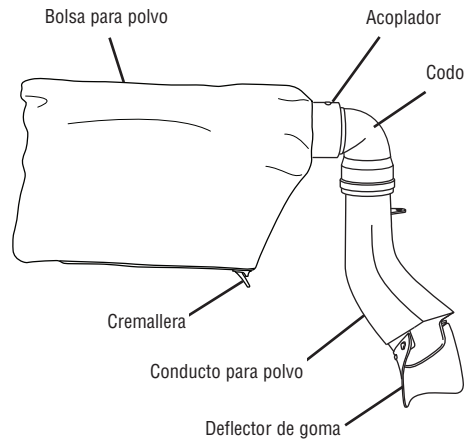


Figura 7

Ensamblaje

Ensamblaje del sistema de recolección de polvo

ADVERTENCIA Para evitar posibles lesiones, desconecte el enchufe de la fuente de alimentación antes de realizar cualquier ensamblaje, ajuste o reparación.

Conexión de una aspiradora

El codo tiene un orificio de salida que aceptará un conector de aspiración de 35 mm de diámetro estándar o un tubo de 1-1/4 pulgadas de diámetro. El conector de 35 mm de diámetro tiene el tamaño estándar utilizado en las aspiradoras Bosch Airsweep™ modelos 3931 y 3931A. Para tamaños de tubo de aspiración más grandes, use un adaptador.

Conexión a la aspiradora – Inserte el conector de aspiración o el tubo en el orificio de salida del codo tanto como se pueda. Asegúrese de que la manguera de aspiración esté libre del mecanismo y de la trayectoria de corte antes de enchufar la sierra en la fuente de alimentación.

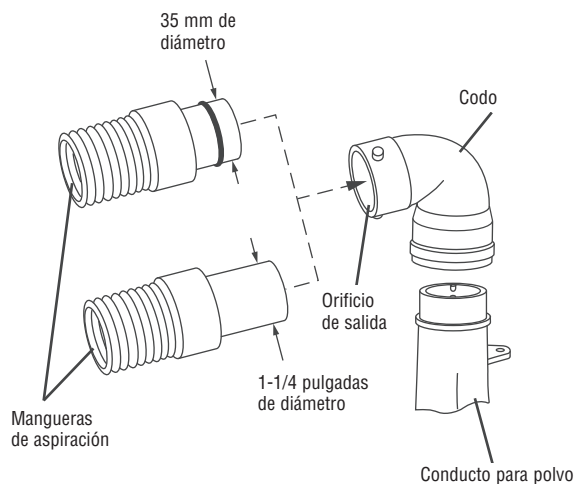


Figura 8. Conexión de una aspiradora

Reposicionamiento o remoción del deflector de goma

El deflector de goma extiende el alcance de recolección de polvo y residuos y se debe dejar en la herramienta para lograr la máxima eficiencia de recogida de polvo. Cuando haga cortes deslizantes en materiales extraaltos (de más de 2-13/16 pulgadas de altura), el deflector de goma contactará estos materiales y se flexionará sobre ellos. También contactará y se flexionará cuando se jale la sierra hacia atrás antes del corte. El deflector regresará a su forma original después del corte.

Reposicionamiento del deflector – Si el operador quiere evitar el contacto del deflector de goma con el material, el deflector se puede plegar temporalmente hacia arriba y sobre la parte trasera del conducto para polvo. Si permanentemente el operador no quiere contacto del deflector con el material que se esté cortando, se puede quitar el deflector.

Remoción del deflector – Jale una de las lengüetas del deflector hacia delante y luego lateralmente hasta que se separe de uno de los ganchos laterales del conducto para polvo (vea la figura 9). Desenganche el lado opuesto. Luego, desenganche el deflector del poste trasero del conducto para polvo jalando y estirando hasta que esté libre. NOTA: Al retirar el deflector se reduce la capacidad de recolección de polvo.

Instalación del deflector – Comience estirando y engancharlo el deflector sobre el poste trasero, seguido por engancharlo sobre cada gancho lateral (vea la figura 10).

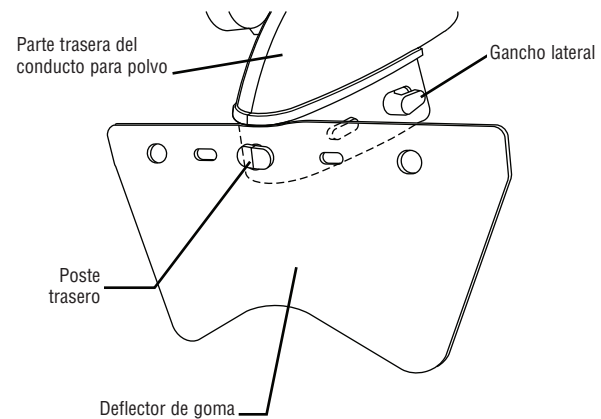


Figura 9.
Instalación del deflector de goma en el poste trasero

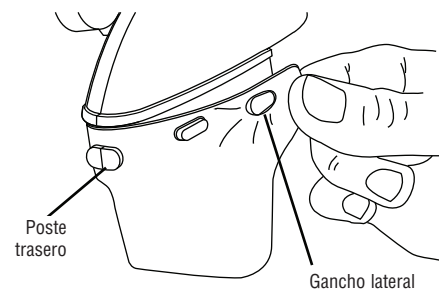


Figura 10.
Instalación del deflector de goma en los ganchos laterales

Ajustes

Utilización del pasador de fijación del ensamblaje del cabezal

⚠️ ADVERTENCIA Para evitar posibles lesiones, desconecte el enchufe de la fuente de alimentación antes de realizar cualquier ensamblaje, ajuste o reparación.

Pasador de fijación del ensamblaje del cabezal

El pasador de fijación del ensamblaje del cabezal (artículo 43, página 63) está ubicado en el lado derecho del poste de pivote (artículo 34, página 63). Se utiliza para sujetar el ensamblaje del cabezal de la sierra en la posición hacia ABAJO. Esta posición impide que el cabezal rebote hacia arriba y hacia abajo durante el transporte. Esto también hace la sierra más compacta para levantarla y almacenarla. Esta posición también se requiere para algunos procedimientos de calibración.

Para acoplar el pasador de fijación del ensamblaje del cabezal

1. Asegúrese de que la placa del tope de profundidad (artículo 33, página 63) esté desacoplada o presionada en la posición izquierda.
2. Agarre el mango principal de la sierra (artículo 3, página 62) y presione hacia abajo sobre el ensamblaje del cabezal.
3. Mientras presiona hacia abajo el cabezal de la sierra, empuje hacia adentro el pasador de fijación del ensamblaje del cabezal. Suelte el ensamblaje del cabezal. El cabezal quedará fijo en la posición hacia ABAJO (vea la figura 11).

Para desacoplar el pasador de fijación del ensamblaje del cabezal

1. Agarre el mango principal y presione hacia abajo sobre el ensamblaje del cabezal.
2. Mientras presiona el cabezal hacia abajo, jale hacia fuera el pasador de fijación del ensamblaje del cabezal. Suelte el pasador de fijación, pero siga agarrando el mango principal. Deje lentamente que el cabezal de la sierra accionado por resorte suba hasta la parte superior de su recorrido y entonces suelte el mango.

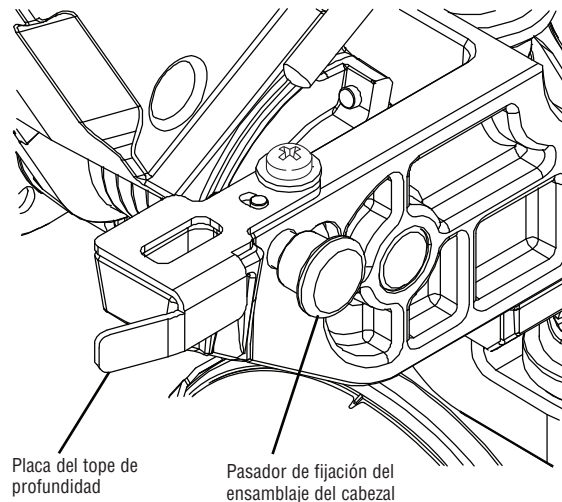


Figura 11

Utilización del controlador del movimiento deslizante

Para ajustar el controlador del movimiento deslizante

El controlador del movimiento deslizante está instalado en la junta superior del mecanismo deslizante; está diseñado para controlar la suavidad de la acción de deslizamiento de la sierra. Cuando se ensambla en la fábrica, el controlador no es ajustado; por lo tanto, el movimiento es muy suave. Para ajustar la suavidad del mecanismo de deslizamiento, apriete o afloje ligeramente los dos tornillos ubicados en la parte de arriba utilizando la llave hexagonal de 6/4 mm o una llave hexagonal de 4 mm (vea la figura 12).

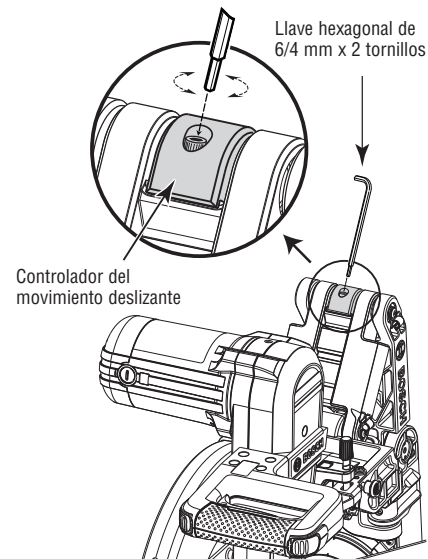


Figura 12

Ajustes

Utilización de la palanca de fijación del mecanismo

ADVERTENCIA Para evitar posibles lesiones, desconecte el enchufe de la fuente de alimentación antes de realizar cualquier ensamblaje, ajuste o reparación.

Palanca de fijación del mecanismo

La palanca de fijación (artículo 27, página 63) está ubicada en el lado trasero izquierdo del mecanismo.

Cuando la palanca está acoplada, fija el sistema (artículo 35, página 63) en la posición completamente hacia delante o completamente hacia atrás e impide el movimiento mientras se transporta la sierra. Cuando se mantiene en la posición completamente hacia atrás, la sierra es más compacta para levantarla y almacenarla. La posición completamente hacia atrás se utiliza a menudo mientras se realizan cortes de troceado.

Para acoplar la palanca de fijación

Con la sierra en la posición completamente hacia atrás –

1. Agarre el mango principal de la sierra (artículo 3, página 62) y empuje (deslice) el ensamblaje del cabezal hacia atrás tanto como se pueda. Las carcasas superiores estarán en posición vertical y cerradas.
2. Levante la lengüeta ubicada en la placa de fijación para acoplar su cuña en el área de junta entre las dos carcasas inferiores. Suelte la lengüeta ubicada en la palanca de fijación y el mango principal. El ensamblaje del cabezal quedará fijo en la posición completamente hacia atrás.

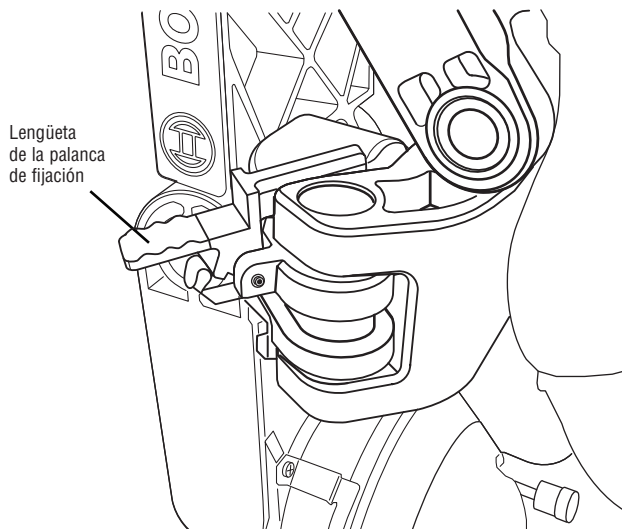


Figura 13.
Para acoplarla en la posición hacia atrás

Con la sierra en la posición completamente hacia delante –

1. Agarre el mango principal (artículo 3, página 62) y jale (deslice) el ensamblaje del cabezal hacia usted tanto como se pueda. El mecanismo quedará completamente extendido.
2. Levante la lengüeta ubicada en la palanca de fijación para acoplar su cuña en el área de junta entre las dos carcasas inferiores. Suelte la lengüeta ubicada en la palanca de fijación y el mango principal. El ensamblaje del cabezal quedará fijo en la posición completamente hacia delante.

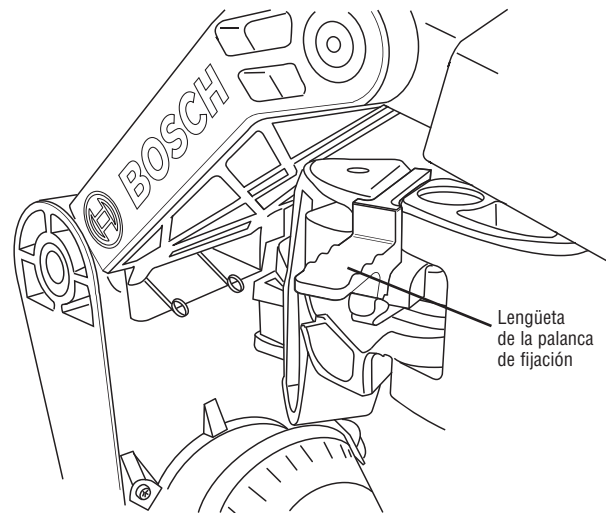


Figura 14

Para soltar la palanca de fijación

Desde las posiciones trasera o delantera –

1. Agarre la lengüeta ubicada en la palanca de fijación y presione hacia abajo hasta que su cuña salga de entre las dos carcasas inferiores. Deje de agarrar la lengüeta; el mecanismo estará ahora libre para deslizarse hacia delante y hacia atrás.

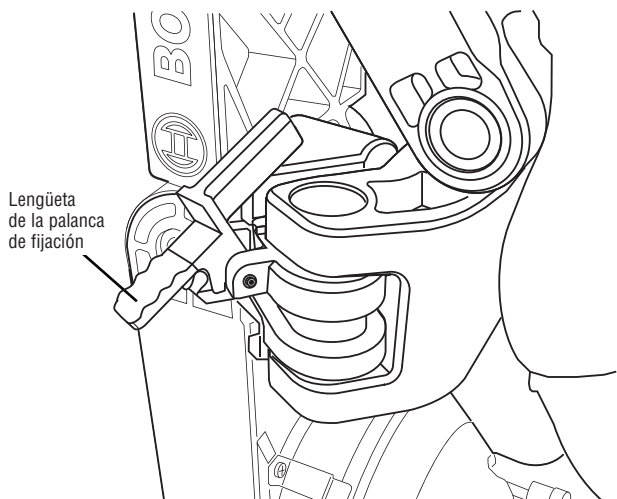


Figura 15.
Para soltarla en la posición delantera o trasera

Ajustes

Ajustes de la profundidad de corte

⚠ ADVERTENCIA Para evitar posibles lesiones, desconecte el enchufe de la fuente de alimentación antes de realizar cualquier ensamblaje, ajuste o reparación.

Cuando se instale una hoja nueva, es posible que sea necesario comprobar la holgura de la hoja respecto a estructura de la mesa giratoria. La placa del tope de profundidad es un dispositivo provisto para permitir realizar cortes de profundidad completa (normales) o cortes no pasantes utilizados para cortar ranuras.

Ajuste de la profundidad de la hoja para cortes de profundidad completa normales

1. Cuando haga cortes de profundidad completa normales, empuje la placa del tope de profundidad hacia dentro, hacia el cabezal de la sierra (vea la figura 16). Esto permitirá que el tornillo del tope de profundidad pase a través del agujero de la placa.
2. Compruebe la profundidad de corte completa:
 - Ajuste la mesa a un inglete de 0° y empuje la sierra completamente hacia atrás.
 - Jale hacia fuera el pasador de fijación del ensamblaje del cabezal hasta la posición de liberación.
 - Empuje hacia abajo el cabezal de la sierra y observe cómo el tornillo del tope de profundidad pasa a través de la placa del tope sin atorarse ni contactar la placa.

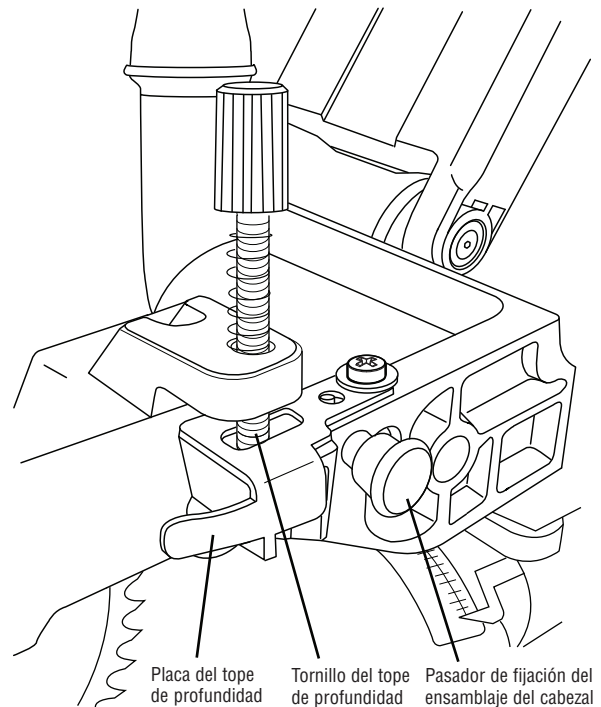


Figura 16

Ajuste de la profundidad de la hoja para cortes no pasantes con el fin de cortar ranuras

NOTA: Para obtener los mejores resultados, Bosch recomienda el uso de una sierra de mesa con un juego de hojas mortajadoras opcional para cortar ranuras y hacer cortes no pasantes. En el caso de que dicho juego no esté disponible, la función descrita a continuación es una alternativa conveniente.

1. Suelte (jale hacia fuera) el pasador de fijación del ensamblaje del cabezal y deje que el cabezal de la sierra se mueva completamente hacia arriba. Deslice el cabezal de la sierra hasta la posición completamente hacia atrás.
2. Jale la placa del tope de profundidad hacia fuera alejándola del cabezal de la sierra (vea la figura 17).
3. Agarre el mango principal (artículo 3, página 62) y empuje hacia abajo el cabezal de la sierra mientras observa cómo el tornillo del tope de profundidad hace contacto con la superficie superior de la placa del tope de profundidad. El tornillo no pasará a través del agujero ubicado en la placa.
4. Gire el pomo ubicado en el extremo del tornillo del tope de profundidad (mientras el extremo roscado está en contacto con la placa de tope) y observe cómo la parte inferior de la hoja de sierra se mueve. Este ajuste gradúa la profundidad de corte.

Consulte la página 98 para obtener instrucciones de "Corte de ranuras".

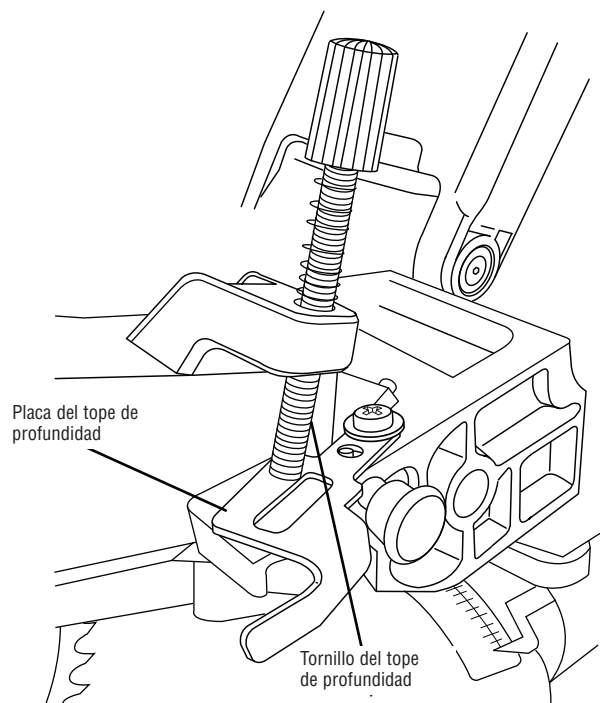


Figura 17

Ajustes

Sistema de retén de inglete – Procedimiento de ajuste

Calibración del sistema de retén de inglete

1. Acople el retén de inglete en la posición de 0°. Afloje el pomo de fijación de inglete 1/2 vuelta.
2. Busque cuatro agujeros redondos en la placa de la escala de ingletes. En cada agujero hay un tornillo. Utilice el extremo pequeño de la llave hexagonal de 6/4 mm o una llave hexagonal de 4 mm para aflojar los cuatro tornillos de 1 a 2 vueltas. Esto aflojará la placa de retén de inglete (vea la figura 18).

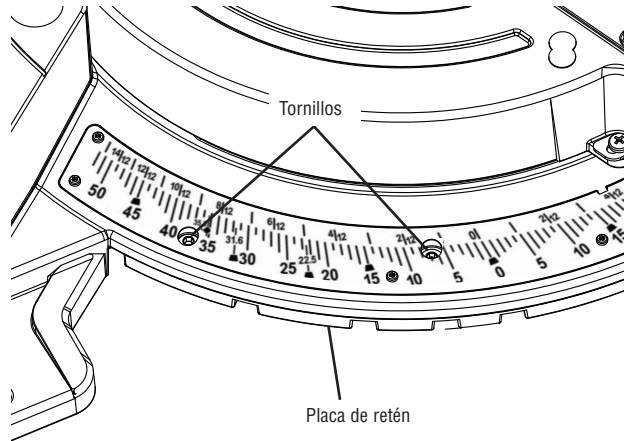


Figura 18

3. Fije la sierra hacia abajo utilizando el pasador de fijación del ensamblaje del cabezal (artículo 43, página 63).
4. Sujete un lado de una escuadra de combinación de 90° contra el tope-guía y rote la mesa (y la placa de retén) hasta que el lado de la hoja de sierra esté en contacto completo con el otro lado de la escuadra.

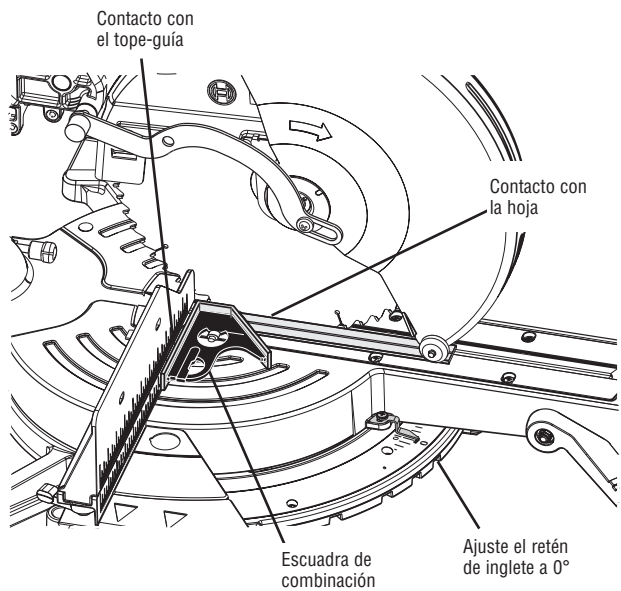


Figura 19

5. Apriete los cuatro tornillos. Afloje y reajuste el indicador de la escala de ingletes en la posición "0".

Ajuste del indicador de la escala de ingletes

1. Rote la mesa hasta la posición de 0° y bloquéela en su sitio.
2. Suba el ensamblaje del cabezal hasta la posición completamente hacia ARRIBA.
3. Afloje el tornillo de ajuste del indicador que sujeta en posición correcta el indicador de la escala de ingletes (vea la figura 20).
4. Posicione el indicador para alinearlo con la línea de 0°. Apriete el tornillo.

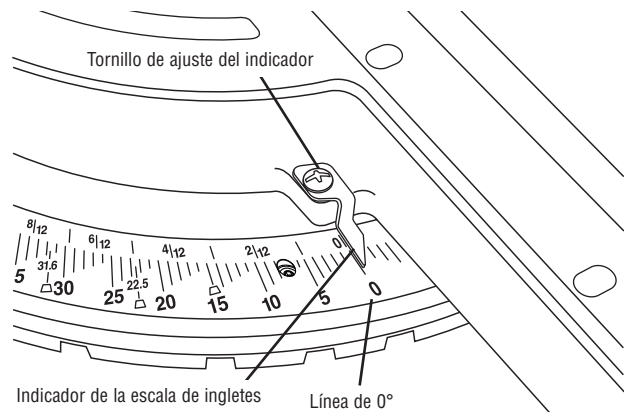


Figura 20. Ajuste de la escala de ingletes

Ajuste del inserto de sección de corte

Los insertos de sección de corte se deben ajustar cerca de la hoja, pero sin tocarla, para evitar desgarrar la parte inferior de la pieza de trabajo.

1. Sujete hacia abajo el ensamblaje del cabezal de la sierra y empuje hacia dentro el pasador de fijación del ensamblaje del cabezal (artículo 43, página 63) para mantener la sierra en la posición hacia ABAJO.
2. Afloje los tornillos de sección de corte utilizando un destornillador Phillips No. 2.
3. Ajuste los insertos de sección de corte tan cerca de (los dientes de) la hoja como sea posible sin tocar la hoja.
4. Apriete los tornillos de sección de corte.

NOTA: En el caso de ángulos de bisel extremos, es posible que la hoja de sierra corte ligeramente en el inserto de sección de corte.

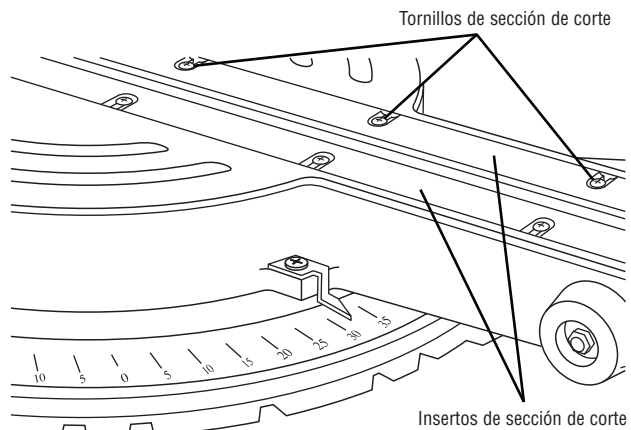


Figura 21. Insertos de sección de corte

Ajustes

Tope de bisel de 0° – Procedimiento de ajuste

⚠ ADVERTENCIA Para evitar posibles lesiones, desconecte el enchufe de la fuente de alimentación antes de realizar cualquier ensamblaje, ajuste o reparación.

Comprobación del ajuste del tope de bisel de 0°

1. Sujete hacia abajo el ensamblaje del cabezal de la sierra y empuje hacia dentro el pasador de fijación del ensamblaje del cabezal (artículo 43, página 63) para mantener la sierra en la posición hacia ABAJO.
2. Deslice el ensamblaje del cabezal completamente hasta la parte de atrás y acople la palanca de fijación (artículo 27, página 63) levantando la lengüeta de dedo.
3. Rote la mesa hasta la posición de inglete de 0°.
4. Jale hacia arriba la palanca de fijación de bisel para aflojar.
5. Compruebe la posición del pomo selector del intervalo de bisel; debería estar en la posición "0-45° a la izquierda".
6. Inclíne el ensamblaje de la sierra hacia la izquierda (en sentido contrario al de las agujas del reloj) y luego gírelo hacia la derecha (en el sentido de las agujas del reloj) hasta que alcance el tope en la posición vertical. En esta posición es donde la sierra está ajustada actualmente para hacer un corte a 0°.
7. Empuje hacia abajo la palanca de fijación de bisel para bloquear la posición del ángulo.
8. Utilice una escuadra de combinación para comprobar que la hoja está a 90° (en ángulo recto) con la mesa. Coloque el borde de la regla de la escuadra contra la mesa y deslícelo para contactar la hoja con el lado vertical de la cabeza de la escuadra (vea la figura 22).

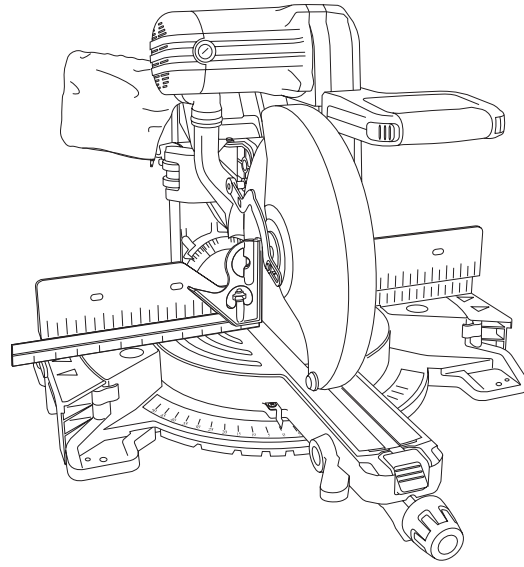


Figura 22

9. Asegúrese de que el plato de la hoja de sierra (no los dientes) esté tocando el lado de 90° de la escuadra. Si el plato de la hoja de sierra no está en contacto completo con el lado de 90° del cuerpo de la escuadra, siga los procedimientos indicados en "Ajuste del tope de bisel de 0°".

Ajustes

Tope de bisel de 0° – Procedimiento de ajuste

ADVERTENCIA Para evitar posibles lesiones, desconecte el enchufe de la fuente de alimentación antes de realizar cualquier ensamblaje, ajuste o reparación.

Ajuste del tope de bisel de 0° (hoja a 90° con la mesa)

1. Jale hacia arriba la palanca de fijación de bisel para aflojar.
2. Afloje las cabezas de los pernos "A" y "B" utilizando una llave de tuerca de boca abierta de 10 mm o un tubo (con una llave de tubo). Afloje los pernos por lo menos una vuelta completa (vea la figura 23).
3. Afloje el tornillo de ajuste "D" utilizando el extremo de 4 mm de la llave hexagonal de 6/4 mm (provista con la herramienta, pero también se puede utilizar una llave hexagonal de 4 mm estándar). Afloje el tornillo por lo menos tres vueltas completas.
4. Coloque la escuadra de combinación sobre la mesa y contra la hoja (vea la figura 22).
5. Utilizando el extremo de 4 mm de la llave hexagonal, gire el tornillo de ajuste "C" y observe cómo la hoja de sierra se inclina. Gire el tornillo "C" hasta que la hoja esté alineada (contacto completo) con el borde del cuerpo de la escuadra. Después de alinear la hoja, retire la llave hexagonal.
6. Apriete el tornillo de ajuste "D" utilizando una llave hexagonal de 4 mm.
7. Apriete las cabezas de los pernos "A" y "B" utilizando la llave de tuerca de boca abierta de 10 mm.
8. Ajuste los indicadores de la escala de bisel (artículo 36, página 63) para que estén en línea con las líneas de 0° de la escala de bisel.
9. Empuje hacia abajo la palanca de fijación de bisel para fijar el bisel.

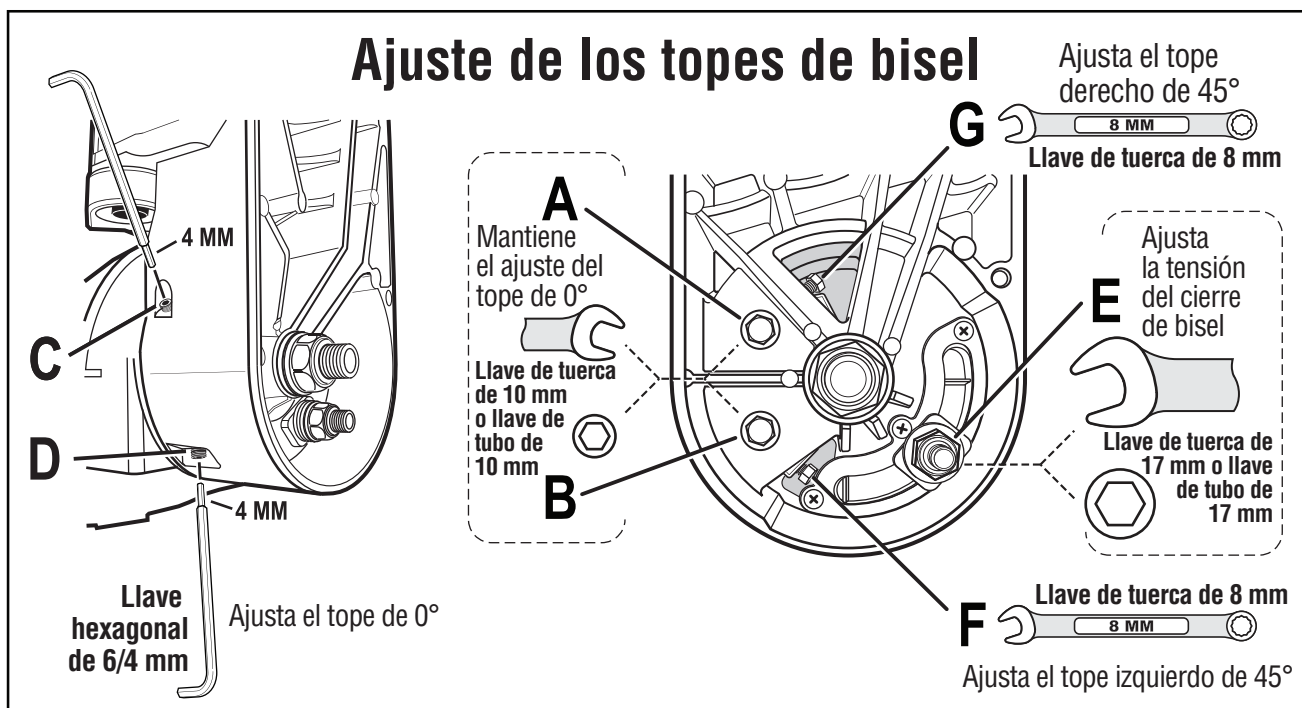


Figura 23

Ajustes

Tope de bisel de 45° – Procedimiento de ajuste

⚠ ADVERTENCIA Para evitar posibles lesiones, desconecte el enchufe de la fuente de alimentación antes de realizar cualquier ensamblaje, ajuste o reparación.

Comprobación del ajuste del tope de bisel de 45°

1. Sujete hacia abajo el ensamblaje del cabezal de la sierra y empuje hacia dentro del pasador de fijación del ensamblaje del cabezal (artículo 43, página 63) para mantener la sierra en la posición hacia ABAJO.
2. Deslice el ensamblaje del cabezal completamente hacia atrás y acople la palanca de fijación (artículo 27, página 63) levantando la lengüeta de dedo.
3. Rote la mesa hasta la posición de inglete de 0°.
4. Jale hacia arriba la palanca de fijación de bisel para desbloquear. Mueva el tope-guía deslizante completamente hacia la izquierda.
5. Compruebe la posición del pomo selector del intervalo de bisel; debería estar en la posición "0-45° a la izquierda".
6. Incline el ensamblaje de la sierra hacia la izquierda (en sentido contrario al de las agujas del reloj) hasta que alcance el tope de 45°. En esta posición es donde el tope de 45° de la sierra está ajustado para hacer un corte en bisel de 45° a la izquierda.
7. Utilice una escuadra de combinación para comprobar si la hoja está a 45° respecto a la mesa. Retire la hoja de la regla de la escuadra de combinación. Coloque solamente la cabeza de la escuadra de combinación sobre en la mesa de la sierra con su lado plano largo descansando sobre la mesa y su lado de 45° contra la hoja inclinada (vea la figura 24).

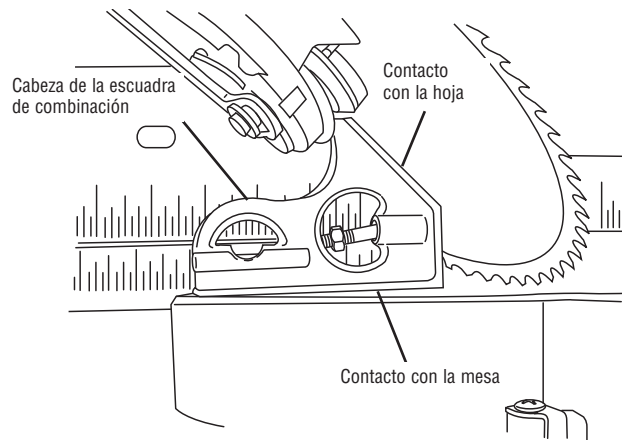


Figura 24

8. Asegúrese de que solamente el plato (no los dientes) de la hoja de sierra esté tocando el lado de 45° de la escuadra. Si el plato de la hoja de sierra no está en contacto completo con el lado de 45° de la cabeza de la escuadra, siga los procedimientos indicados en "Ajuste del tope de bisel de 45°".

Ajustes

Tope de bisel de 45° – Procedimiento de ajuste

⚠ ADVERTENCIA Para evitar posibles lesiones, desconecte el enchufe de la fuente de alimentación antes de realizar cualquier ensamblaje, ajuste o reparación.

Ajuste del tope de bisel de 45° (hoja de sierra a 45° con la mesa)

1. Jale hacia arriba la palanca de fijación de bisel para desbloquear. Mueva el tope-guía deslizante completamente hacia la izquierda.
2. Inclíne el ensamblaje de la sierra hacia la izquierda (en sentido contrario al de las agujas del reloj) hasta que alcance el tope de 45°.
3. Coloque solamente la cabeza de la escuadra de combinación sobre la mesa de la sierra con su lado plano largo descansando sobre la mesa y su lado de 45° contra la hoja inclinada.
4. Coloque una llave de tuerca de boca abierta de 8 mm en la cabeza del perno "F" (vea la figura 25).
5. Mientras gira el perno "F", observe cómo la hoja se inclina. Gire el perno "F" hasta que el plato de la hoja de sierra esté en contacto completo con el lado de 45° de la cabeza de la escuadra (vea la figura 24).
6. Si es necesario, ajuste los indicadores de la escala de bisel (artículo 36, página 63) para que estén en línea con las líneas de 45° de la escala de bisel. Primero, ajuste el indicador de bisel derecho; luego, incline el cabezal de la sierra hasta la posición de tope de 45° a la derecha (vea la página 95, "Intervalo de bisel 2 = 0-45° a la derecha") y ajuste el indicador de bisel izquierdo. Inclíne el cabezal de la sierra hasta la posición de 0°. Ambos indicadores deberían estar en las líneas de 0° de la escala de bisel.
7. Empuje hacia abajo la palanca de fijación de bisel para realizar la fijación en el ángulo de bisel deseado.

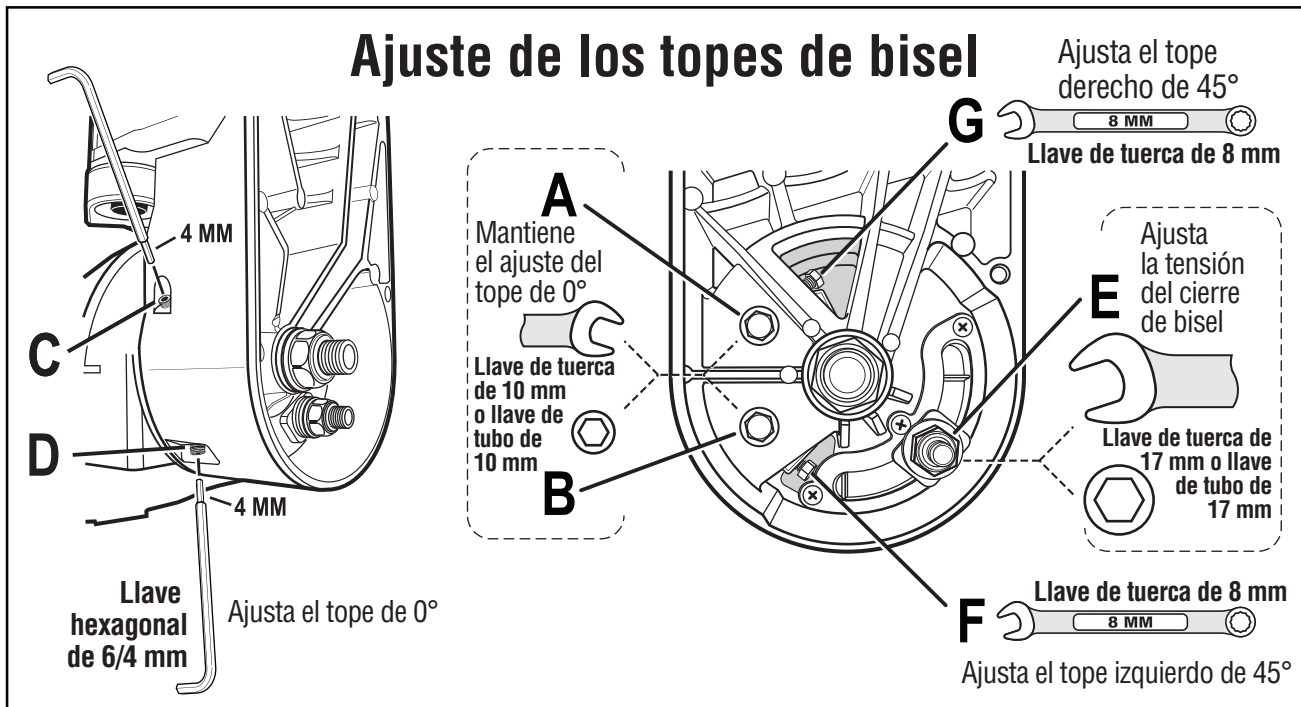


Figura 25

Ajustes

Ajuste de la tensión del cierre de bisel

Comprobación de la tensión del cierre de bisel

1. Jale hacia arriba la palanca de fijación de bisel para reducir la tensión. Si al jalar hacia arriba la palanca se siente demasiado dura, es posible que se requiera un ajuste.
2. Compruebe la resistencia a la inclinación. Agarre el mango principal e incline lentamente la sierra hacia la izquierda. Mientras la inclina, se debería sentir un poco de resistencia. Aproximadamente a 30° , la resistencia debería volverse menor. Si se siente muy poca resistencia o no se siente nada de resistencia, es posible que se requiera un ajuste.
3. Compruebe la tensión del cierre de bisel. Empuje hacia abajo la palanca de fijación de bisel. Normalmente se necesita más presión al comienzo; luego, la palanca debería ir completamente hasta abajo, hasta la posición de fijación con un golpe seco.
 - A) Si es demasiado difícil empujar la palanca completamente hacia abajo, entonces es posible que requiera un ajuste de tensión.
 - B) Compruebe el poder de fijación. Incline la sierra aproximadamente hasta 30° y empuje hacia abajo la palanca de fijación de bisel. Presione firmemente sobre el lado derecho del cabezal de la sierra. Si el cabezal de la sierra se inclina más de $1/2^\circ$ respecto a la posición fija, entonces la tensión del cierre de bisel necesita ajuste.

Ajuste de la tensión del cierre de bisel

La tensión del cierre de bisel ha sido ajustada en la fábrica. Después de un uso extenso de la herramienta, es posible que requiera un ajuste. Antes de ajustar la tensión, se debe ajustar la resistencia a la inclinación

1. Jale hacia arriba la palanca de fijación de bisel para reducir la tensión.
2. **Ajuste de la resistencia a la tensión** (vea el paso 2 más arriba).

A) Si la resistencia es demasiado baja, apriete ligeramente (1/16 de vuelta) la tuerca de fijación grande "H" utilizando una llave de tubo o una llave de tuerca de 24 mm.

B) Si la resistencia es demasiado alta, afloje ligeramente (1/16 de vuelta) la tuerca de fijación grande "H" utilizando una llave de tubo o una llave de tuerca de 24 mm

3. **Ajuste de la tensión** (vea los pasos 1 y 3 más arriba) Jale hacia arriba y empuje hacia abajo la palanca de fijación de bisel.

A) Si es demasiado difícil jalar o empujar la palanca, la tensión se puede reducir utilizando una llave de tubo o una llave de tuerca de 17 mm para aflojar la tuerca de fijación "E" (1/8 de vuelta). Compruebe de nuevo la tensión.

B) Si es demasiado fácil jalar o empujar la palanca, o si el cabezal de la sierra no queda completamente fijo en un ajuste de bisel, entonces la tensión se puede aumentar utilizando una llave de tubo o una llave de tuerca de 17 mm para apretar la tuerca de fijación "E" (1/8 de vuelta). Compruebe de nuevo la tensión.

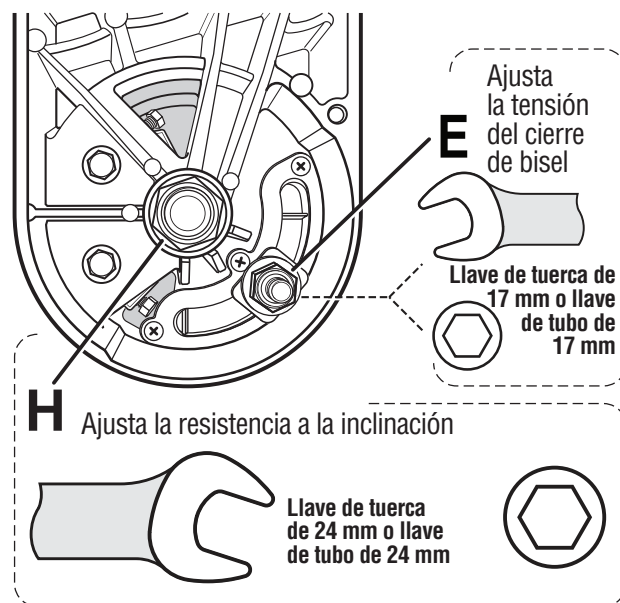


Figura 26

Ajuste del perno estabilizador delantero

El perno estabilizador delantero está ubicado en la parte inferior de la base de la sierra, cerca de la ranura de retén de inglete de 0° (Figura 26a). Dicho perno proporciona soporte adicional cuando se realizan cortes deslizantes.

El perno estabilizador ha sido ajustado en la fábrica. Si está flojo o necesita ajuste, siga estos pasos:

1. Mueva la sierra para tener acceso fácil al área del perno. Afloje el perno estabilizador y la contratuerca utilizando una llave de tuerca de 10 mm.
2. Coloque la sierra de vuelta en la mesa de trabajo. Desenrosque la tuerca estabilizadora hasta que contacte la mesa.
3. Mueva de nuevo la sierra para tener acceso al área del perno. Mientras sujeta la cabeza del perno con una llave de tuerca de 10 mm o unos alicates, utilice una llave de tuerca de boca abierta de 10 mm para apretar completamente la contratuerca contra el saliente ubicado en la base de la sierra.

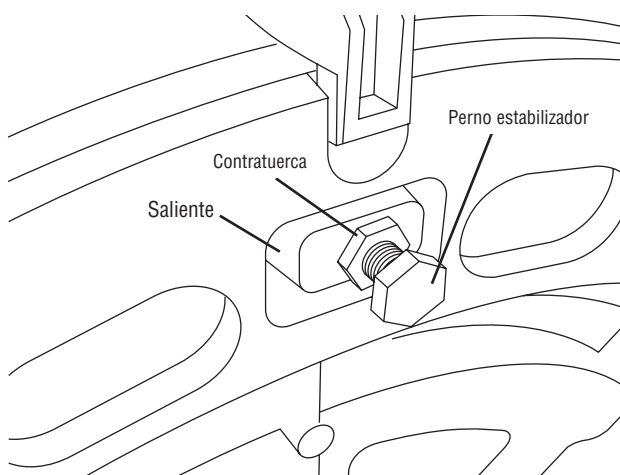


Figura 26a

Transporte y montaje

ADVERTENCIA Para evitar lesiones, siga todas las instrucciones identificadas a continuación con el símbolo de PUNTO NEGRO (●).

- **No levante nunca esta sierra agarrando las extensiones de la base cuando estén en la posición extendida.**
- **Desenchufe el cable eléctrico y enróllelo.** Utilice la correa de enganche y cierre para mantener unido el cable enrollado.
- **No levante nunca la sierra agarrando cualquiera de las piezas del mecanismo.** La sierra se podría mover y causarle a usted lesiones graves en los dedos o las manos.
- **Para evitar lesiones en la espalda, sujete la herramienta cerca del cuerpo cuando la levante.** Doble las rodillas para que pueda levantar con las piernas, no con la espalda. Levantar la sierra desde la parte de atrás es el método preferido. Esto inclinará la herramienta hacia el cuerpo del operador.
- **No levante nunca la herramienta agarrando el mango con interruptor.** Esto podría causar daños graves.
- **No levante nunca la sierra para cortar ingletes por el cable de alimentación o el mango operativo.** Si se intenta levantar o transportar la herramienta por el cable de alimentación se dañarán el aislamiento y las conexiones de los cables, lo cual causará descargas eléctricas o un incendio.
- **Coloque la sierra sobre una superficie firme y nivelada, en la que haya amplio espacio para manejar y soportar apropiadamente la pieza de trabajo.**

Levante esta sierra **SOLAMENTE** por los mangos de transporte fundidos con la pieza ubicados a cada lado de la parte inferior de la base (vea la figura 27).

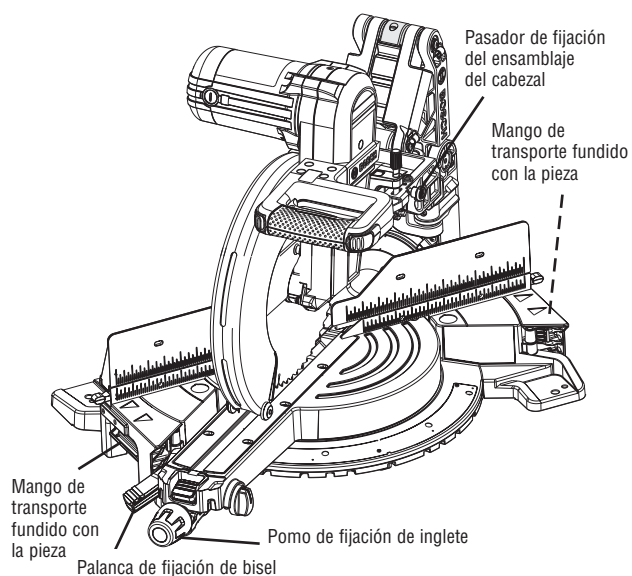


Figura 27

Elevación de la sierra desde la parte de atrás

1. Ajuste el ángulo de bisel a 0° y fíjelo en esa posición utilizando la palanca de fijación de bisel.
2. Rote la mesa hasta la posición izquierda extrema y fíjela en esa posición utilizando el pomo de fijación de inglete.
3. Empuje hacia atrás el cabezal de la sierra y fíjelo en la posición hacia ABAJO utilizando el pasador de fijación del ensamblaje del cabezal.
4. Acople la palanca de fijación del mecanismo para quede fija en la posición retraída.
5. Asegúrese de que cada extensión de la mesa de la base esté en la posición cerrada y fija en su sitio.
6. Use las dos manos y bájelas para agarrar el mango de transporte fundido con la pieza. Siempre que sea posible, levante desde la parte de atrás de la sierra.

Transporte y montaje

Aplicaciones de montaje

Instalación permanente en un banco de trabajo

1. Cada uno de los cuatro agujeros de montaje debe atornillarse firmemente usando tornillos de 5/16", arandelas de seguridad y tuercas hexagonales (no se incluyen).
2. Localice y marque donde se va a montar la sierra.
3. Haga cuatro (4) agujeros de 5/16" de diámetro a través del banco de trabajo.
4. Coloque la sierra para cortar ingletes sobre el banco de trabajo alineando los agujeros de la base con los agujeros hechos en el banco de trabajo. Instale los tornillos, las arandelas de seguridad y las tuercas hexagonales.

Instalación alternativa

Los agujeros de montaje más pequeños ubicados en cada esquina se pueden utilizar para clavos o tornillos más largos para panel de yeso.

La superficie de soporte donde se va a montar la sierra se debe examinar cuidadosamente después de montarla para asegurarse de que no se pueda producir ningún movimiento durante la utilización. Si se observa alguna inclinación o desplazamiento, fije el banco de trabajo o la base para la herramienta antes de utilizar la sierra para cortar ingletes compuestos.

⚠ PRECAUCIÓN Tenga cuidado de no clavar excesivamente los clavos ni apretar excesivamente el perno. Esto podría agrietar el pie o dañar la base.

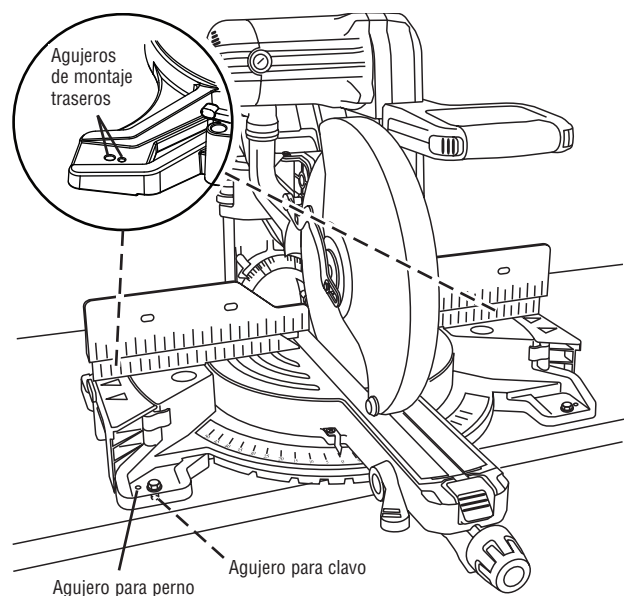


Figura 28. Montaje en un banco de trabajo

Montaje temporal utilizando abrazaderas

- Si es necesario, fije con abrazaderas la sierra para cortar ingletes a un banco de trabajo o a un tablero de mesa.
- Coloque dos (2) o más abrazaderas en "C" en las áreas de fijación con abrazaderas y fijelas (Figura 29). Hay áreas de sujeción con abrazadera en las cuatro esquinas de la sierra.
- Tenga cuidado de no poner las abrazaderas sobre las palancas de sujeción de las extensiones de la base (Figura 29).
- El montaje con abrazaderas impedirá trabajar con algunos ángulos grandes de inclinación.

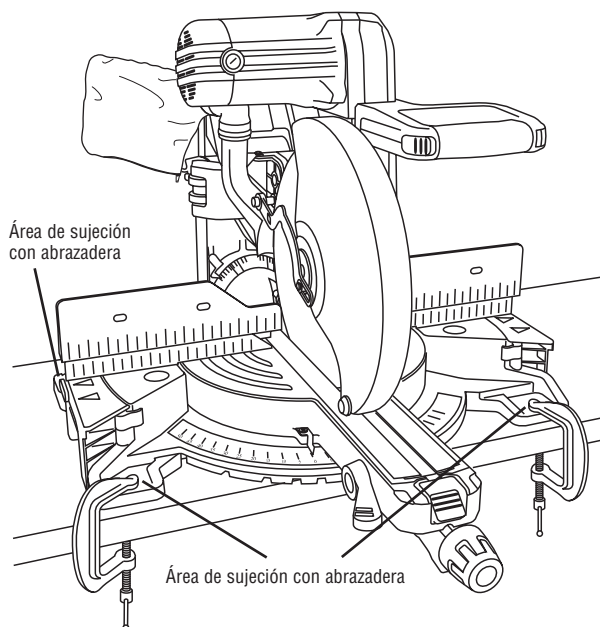


Figura 29. Montaje temporal utilizando abrazaderas

Preparación para las operaciones de la sierra

Posición del cuerpo y de las manos

⚠ ADVERTENCIA Posicione el cuerpo y las manos de modo adecuado para hacer que las operaciones de corte sean más fáciles y seguras. Siga las instrucciones siguientes. Si no se siguen todas las instrucciones identificadas a continuación por símbolos de punto negro (●), el resultado podría ser lesiones corporales graves (vea la figura 30).

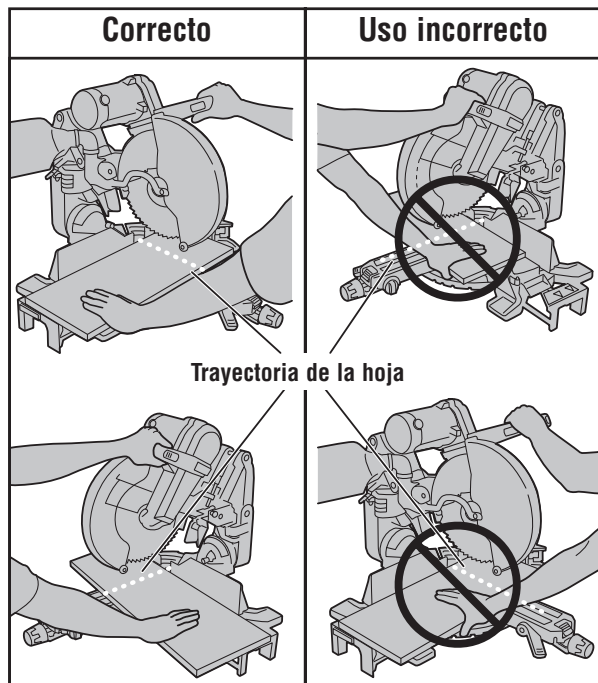


Figura 30. Posiciones de las manos

- Nunca ponga las manos cerca del área de corte. Mantenga las manos y los brazos fuera de la “Zona de no tocar con la mano”.

La “Zona de no tocar con la mano” se define como el área de toda la mesa, más la parte fija de la base al lado derecho e izquierdo de la mesa, y las partes del tope-guía dentro de estos límites. Esta zona tiene símbolos alusivos en la base fija.

- Tenga en cuenta la trayectoria de la hoja. Haga una prueba con la sierra APAGADA, haciendo un ciclo simulado de corte y observe la trayectoria de la hoja. Mantenga las manos fuera de la trayectoria de la hoja.

PRUEBA – Es importante saber dónde se van a intersectar la hoja y la pieza en las operaciones de corte. Haga siempre la secuencia simulada de corte con la herramienta APAGADA, para comprender la trayectoria proyectada de la hoja. Tenga en cuenta mentalmente dónde cae la trayectoria de la sierra, y sostenga su pieza manteniendo sus manos y brazos fuera de la trayectoria de la hoja giratoria. Ajuste las abrazaderas y topes-guía de modo que no interfieran con el protector inferior ni la acción de corte durante la operación (vea la figura 30).

- Sujete firmemente la pieza de trabajo contra la mesa y el tope-guía, para evitar que se mueva.
- Mantenga las manos en su sitio hasta que se haya soltado el gatillo y la hoja se haya detenido completamente.
- No ponga nunca las manos en los componentes del mecanismo.
- Mantenga los pies firmemente en el piso y mantenga un equilibrio adecuado.
- Siga el brazo de inglete al ingletear a la izquierda o a la derecha. Sitúese ligeramente a un lado de la hoja de sierra.

⚠ ADVERTENCIA Puede que el protector inferior no se abra automáticamente en ciertas condiciones de corte. Por ejemplo, cuando trate de cortar piezas que estén cerca de la altura máxima de corte. En estas condiciones o durante el movimiento de la trayectoria de corte de la hoja, la pieza de trabajo puede detener el movimiento del protector inferior antes de que el movimiento del brazo hacia abajo pueda preabrir el protector inferior.

Si esto sucede:

La pieza de trabajo debe sujetarse firmemente con abrazaderas. Esto deja libre una mano para subir el protector por el reborde justo lo suficiente para que no toque la pieza de trabajo (Figura 31).

Arranque la sierra y comience el corte.

Una vez que haya despejado la posición donde el protector inferior podría atascarse, suelte el protector y éste continuará subiendo automáticamente a medida que usted corte.

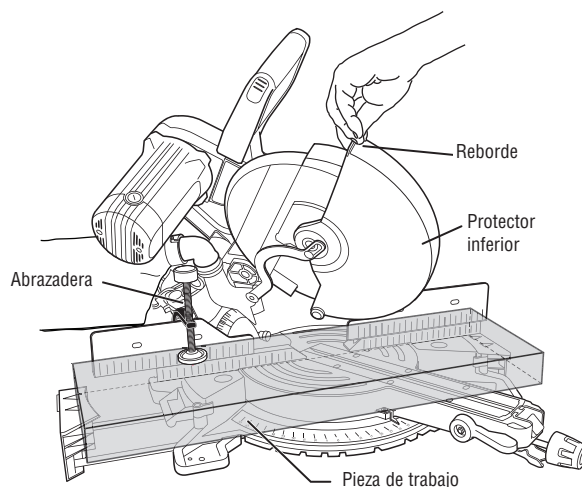


Figura 31. Subida del protector inferior

Preparación para las operaciones de la sierra

Soporte de la pieza de trabajo

Abrazaderas

Utilización de la abrazadera para la pieza de trabajo – Esta abrazadera sujeta fácilmente una pieza de trabajo a la mesa o la base.

1. Inserte la barra estriada de la abrazadera hacia abajo en un agujero para poste de abrazadera; hay dos agujeros para poste ubicados en la base detrás del tope-guía. El extremo estriado debe estar en el poste al menos 1/2 pulgada.
2. Deslice la abrazadera hacia abajo hasta que su pie de goma contacte la pieza de trabajo.
3. Ajuste la altura de la abrazadera para que no toque el tope-guía deslizante.
4. Rote el pomo de la abrazadera hasta que la pieza de trabajo esté firmemente sujeta en la posición correcta.
5. Mueva el cabezal de la sierra hacia arriba y hacia abajo y hacia delante y hacia atrás para asegurarse de que no toque la abrazadera.

⚠ ADVERTENCIA Es posible que haya cortes compuestos extremos en que no se pueda usar una abrazadera. Sujete la pieza de trabajo con la mano fuera de la “Zona de no tocar con la mano”. No intente cortar piezas cortas que no se puedan fijar con una abrazadera y que puedan hacer que la mano quede dentro de la “Zona de no tocar con la mano”.

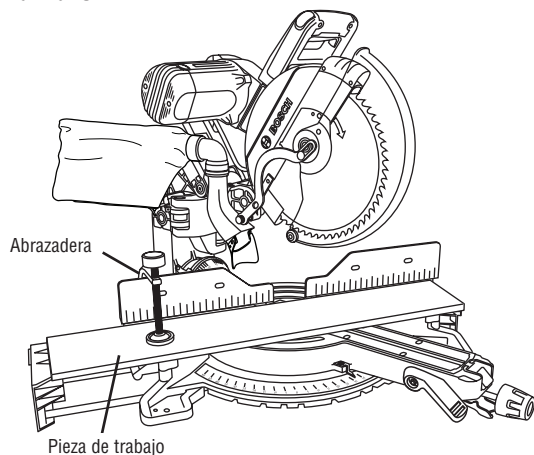


Figura 32. Abrazadera para la pieza de trabajo

Abrazaderas – Otros dispositivos de sujeción, tales como abrazaderas en C, se pueden utilizar para sujetar firmemente la pieza de trabajo contra la mesa y el tope-guía. Asegúrese de que las abrazaderas estén fuera de la trayectoria de corte.

Topes-guía deslizantes

⚠ ADVERTENCIA Para proporcionar suficiente espacio (6 pulgadas como mínimo) desde la mano hasta la hoja de sierra, extienda los topes-guía deslizantes y las extensiones de la base cuando haga cortes extremos en bisel, a inglete o compuestos.

Utilización de los topes-guía deslizantes

1. Jale la palanca de fijación del tope-guía hacia la parte delantera de la herramienta para aflojar el tope-guía.
2. Deslice el tope-guía hasta la posición deseada.
3. Empuje la palanca de fijación hacia la parte trasera de la herramienta para fijar la posición del tope-guía.

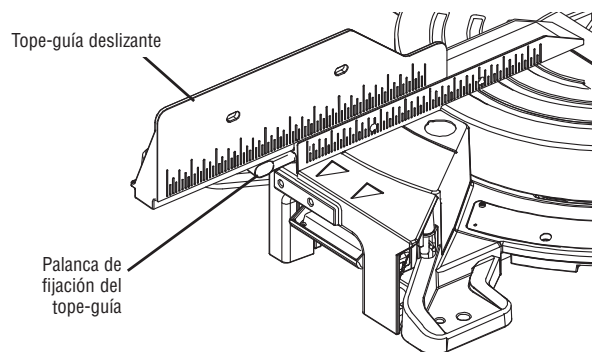


Figura 33

Remoción de los topes-guía deslizantes

1. Levante la lengüeta de la placa de cubierta y rótelala alejándola del tope-guía.
2. Empuje la palanca de fijación hacia el cabezal de la sierra para aflojar el tope-guía.
3. Deslice el tope-guía completamente hacia fuera, alejándolo del cabezal de la sierra.
4. Levante el tope-guía deslizante para retirarlo.

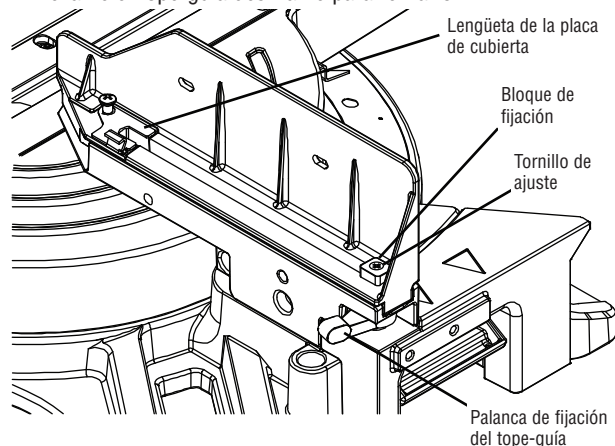


Figura 34

Ajuste de la palanca de fijación del tope-guía deslizante

1. Si el tope-guía deslizante no funciona tal y como se ha descrito, necesita ser ajustado. Retire el tope-guía deslizante. Vea más arriba.
2. Empuje firmemente hacia abajo sobre el bloque de fijación para dejar al descubierto el tornillo de ajuste. Utilizando un destornillador Phillips No. 2, gire el tornillo 1/12 de vuelta hasta la siguiente muesca del bloque.

Tope-guía izquierdo: Para apretar el cierre: Gire el tornillo en sentido contrario al de las agujas del reloj. Para aflojarlo: Gire el tornillo en el sentido de las agujas del reloj.

Tope-guía derecho: Para apretar el cierre: Gire el tornillo en el sentido de las agujas del reloj. Para aflojarlo: Gire el tornillo en sentido contrario al de las agujas del reloj.

3. Suelte el bloque de fijación de vuelta hasta su posición hacia arriba.
4. Coloque de nuevo el tope-guía deslizante poniendo su agujero cuadrado grande sobre el bloque de fijación. Deslice el tope-guía completamente hacia dentro y cierre la lengüeta de la placa de cubierta. El tope-guía se debe mover libremente y quedar bloqueado firmemente en cualquier lugar a lo largo de su gama de recorrido.

Preparación para las operaciones de la sierra

Soporte de la pieza de trabajo

Soporte de piezas de trabajo largas

ADVERTENCIA Las piezas de trabajo largas tienen tendencia a inclinarse a menos que estén sujetas con abrazaderas y soportadas adecuadamente desde debajo.

Utilización de las extensiones de la base – Estas extensiones ofrecen soporte adicional de la pieza de trabajo y son especialmente útiles cuando se cortan piezas de trabajo largas. Para reposicionar las extensiones, simplemente desbloquee las palancas de fijación de las extensiones de la base, repositone las extensiones y rebloquee las palancas (vea la figura 35). La palanca de fijación de la extensión izquierda se aprieta rotando en el sentido de las agujas del reloj y la palanca de fijación derecha se aprieta rotando en sentido contrario al de las agujas del reloj.

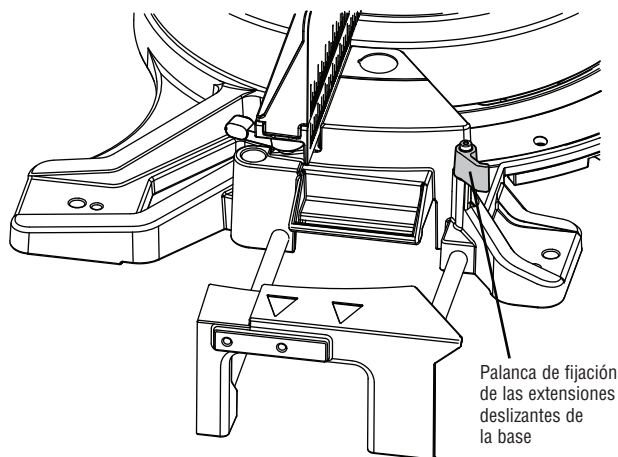


Figura 35. Extensiones de la base deslizantes

Soporte adicional para la pieza de trabajo

Bloques – Las piezas de trabajo largas necesitan soporte adicional. La altura de la base (3-3/4") está diseñada para coincidir con la madera estándar de dos bloques de 2x4 y uno de 1x4. Se pueden usar tablas de estos grosores para crear extensiones de soporte auxiliar para piezas de trabajo largas (vea la figura 36).

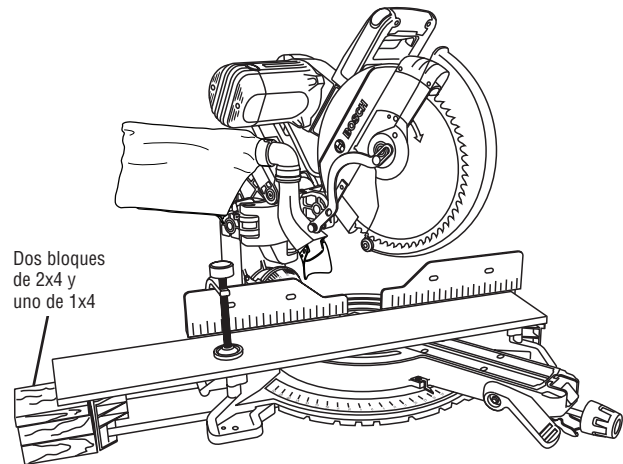


Figura 36. Soporte con bloques

Preparación para las operaciones de la sierra

Fabricación de un tope-guía auxiliar

Ciertos tipos de moldura necesitan una extensión de la cara del tope-guía debido al tamaño y la posición de la pieza de trabajo. El tope-guía cuenta con agujeros para sujetar un tope-guía auxiliar. El tope-guía auxiliar se usa con la sierra en la posición de bisel de 0° solamente.

1. Coloque un pedazo de madera contra el tope-guía de la sierra para cortar ingletes (vea la figura 37). (La madera puede tener una altura máxima de 5-1/2". Compruebe que el ensamblaje del cabezal no interfiera con el tope-guía auxiliar.) Vea el dibujo con dimensiones, Figura 38.
2. Marque las ubicaciones de los agujeros de soporte en la madera desde el lado posterior del tope-guía.
3. Taladre y avellane los agujeros en la parte delantera de la tabla de soporte.
4. Sujete con tornillos desde la parte delantera del tope-guía: Fije cada tope-guía auxiliar con dos (2) tornillos de máquina, de cabeza plana, de 3/16" de pulgada. Con tope-guías auxiliares de 3/4" de pulgada, use tornillos de 1-1/2" pulgada de longitud. Asegúrelos detrás del tope-guía metálico con arandelas y tuercas de máquina.

Sujete con tornillos desde la parte trasera del tope-guía: Para el tope-guía auxiliar de 3/4" de pulgada, use tornillos de madera de cabeza redonda de 1/4" de pulgada por 3/4" de pulgada de longitud. Perfore cuatro (4) agujeros piloto menores de 1/4" de pulgada a través del tope-guía auxiliar, y pase los tornillos por la parte posterior del tope-guía metálico.

5. Haga un corte de profundidad completa para crear la ranura para la hoja. Compruebe si hay interferencia entre el tope-guía auxiliar y el protector inferior de la hoja. Haga ajustes según sea necesario.

6. Para lograr los mejores cortes libres de astillas, utilice el método de corte de troceado.

7. Cuando haga cortes deslizantes, el centro debe estar enmuscado hacia fuera de acuerdo con el patrón (vea la figura 38).

ADVERTENCIA Compruebe si alguno de los componentes interfiere.

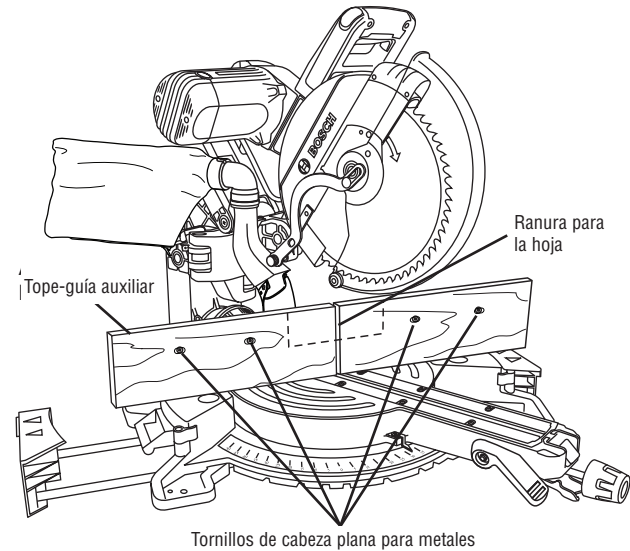


Figura 37. Tope-guía auxiliar

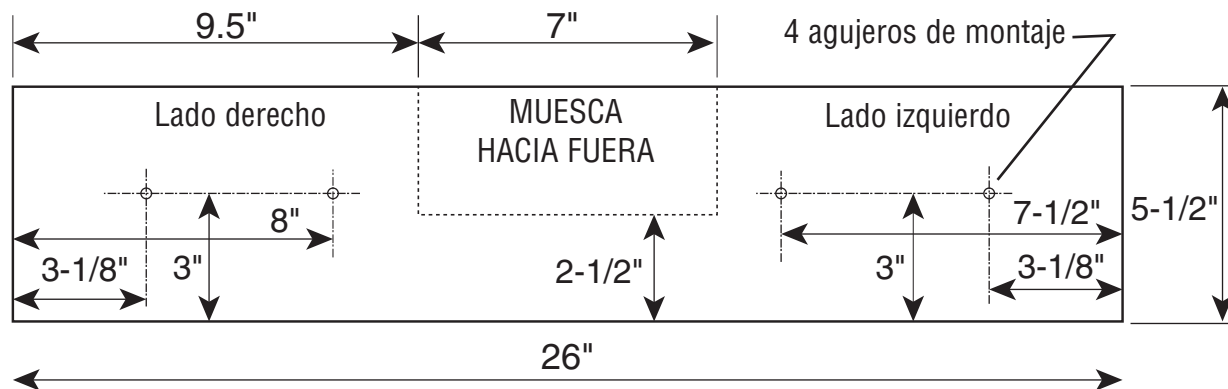


Figura 38. Tope-guía auxiliar alto de madera, 3/4 de pulgada de grosor

Operaciones de la sierra

Activación del interruptor

Por seguridad, la palanca del interruptor está diseñada para evitar arranques accidentales. Para activar el interruptor de seguridad oprima el botón "Fijación en OFF (apagado)" con alguno de sus pulgares para desacoplar el cierre, a continuación tire del gatillo del interruptor de encendido y suelte el botón de liberación de "Fijación en OFF (apagado)" (vea la figura 39). Al soltar el gatillo del interruptor de encendido, el botón de "Fijación en OFF" del interruptor acoplará en forma automática el interruptor de seguridad, y el gatillo ya no funcionará sino hasta que se oprima de nuevo el botón de "Fijación en OFF".

NOTA: La palanca del interruptor de alimentación está hecha con un agujero para acomodar un candado de barra larga con el fin de impedir el uso no autorizado de la sierra (el candado no se suministra con la herramienta). El diámetro de la barra del candado puede ser de hasta 1/4 de pulgada.

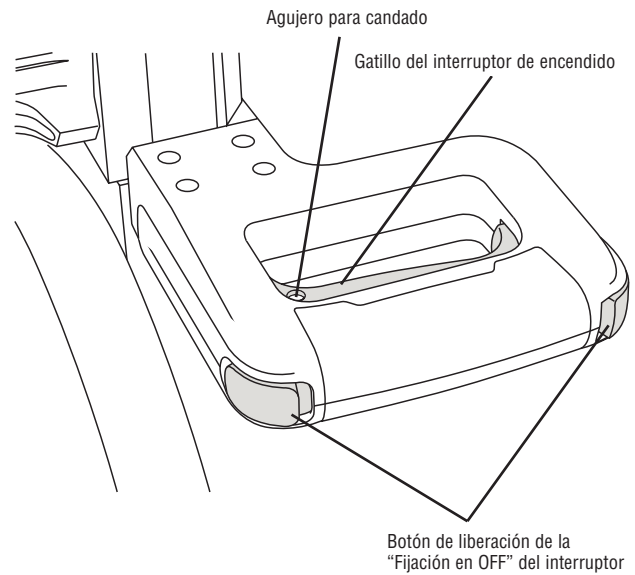


Figura 39. Activación del interruptor

Operaciones de la sierra

Utilización del sistema de retén de inglete

1. Afloje el pomo de fijación de inglete aproximadamente 1/2 vuelta.
2. Agarre el pomo de fijación y luego baje el dedo índice para jalar hacia arriba la palanca de retén de inglete. Jale la palanca hasta que esté fuera de la placa de retén.
3. Mientras agarra el pomo de fijación y la palanca, rote la mesa de la sierra. Detenga la rotación de la mesa en el ángulo deseado, tal y como lo indique el indicador de la escala de ingletes.
4. Suelte la palanca en un retén de la placa de retén o en un ángulo entre retenes. Si está cerca de un retén, use el dispositivo de sobrecontrol del retén.
5. Apriete el pomo de fijación de inglete antes de cortar.

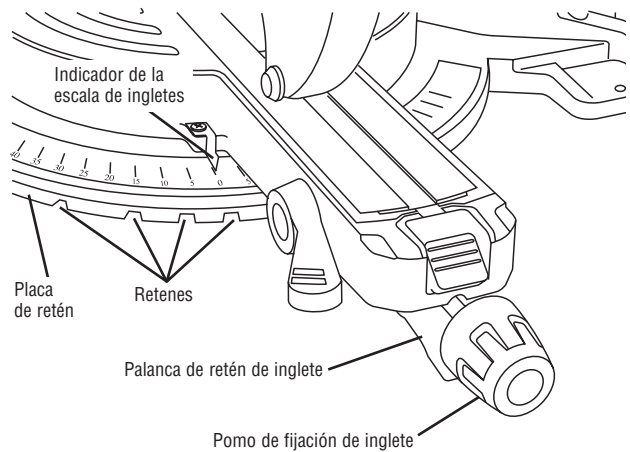


Figura 40

Sobrecontrol del retén de inglete

El sistema de sobrecontrol del retén de inglete anula la acción de retén automática. Cuando el ángulo de inglete deseado está cerca de una ranura de retén estándar, este dispositivo impedirá que la cuña de la palanca de retén se acople (por ej., el usuario quiere que esté a $44\text{-}1/2^\circ$, pero la cuña del retén quiere entrar en el retén de 45°). Cuando se utiliza el sobrecontrol del retén, el sistema de retén queda desactivado y la mesa se moverá suavemente hasta cualquier posición que se encuentre dentro de su alcance.

Acoplamiento del sobrecontrol del retén de inglete

1. Jale hacia arriba la palanca de retén de inglete y manténgala jalada. La palanca está ubicada debajo del brazo delantero de la mesa giratoria (vea la figura 41).
2. Presione hacia abajo sobre la mitad superior del botón de sobrecontrol del retén y luego reduzca la presión sobre la palanca de retén. El botón de sobrecontrol permanecerá en la posición hacia ABAJO (vea la figura 41).
3. La mesa giratoria estará libre para rotar.

ADVERTENCIA Con la mesa libre para girar, el pomo de fijación de inglete se debe apretar antes de intentar cualquier corte.

Desacoplamiento del sobrecontrol del retén de inglete

1. Jale hacia arriba la palanca de retén de inglete y el sistema de sobrecontrol del retén se desacoplará automáticamente. El botón de sobrecontrol regresará a la posición hacia ARRIBA.
2. Afloje el pomo de fijación de inglete para permitir que la mesa rote hasta una posición nueva. La palanca de retén estará ahora libre para acoplar las ranuras de retén preajustadas.

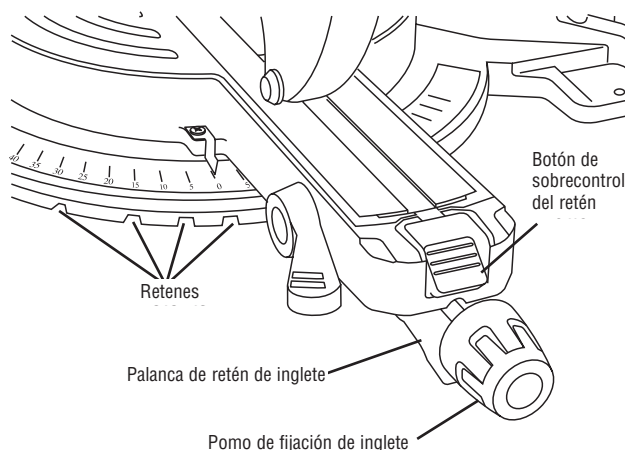


Figura 41. Sobrecontrol del retén

Operaciones de la sierra

Cortes de troceado

Qué es un corte de troceado – Características de la sierra

- Un “corte de troceado” es un corte transversal realizado cuando la sierra está sujeta en la posición más trasera y es operada como una sierra para cortar ingletes convencional (no deslizante). La utilización del método de corte de troceado reduce la capacidad de corte transversal; sin embargo, muchos usuarios prefieren utilizar este método porque es más rápido cuando se realizan cortes repetidos. Este método también puede producir cortes más precisos, porque el cabezal de la sierra está fijo en la posición retraída.
- Esta sierra tiene topes de ángulo de bisel que detienen con precisión en ángulos críticos: 45° a la izquierda/derecha y 0° a la derecha. Viene ajustada de la fábrica y no debería requerir ajuste. Sin embargo, después de un uso extenso o si la herramienta ha recibido un golpe duro, es posible que requiera un ajuste.
- Un corte de troceado puede cortar piezas con una anchura de 5-1/2 pulgadas o menos

Preparación para un corte de troceado

1. Con el cabezal de la sierra en la posición hacia ARRIBA, empújelo hacia atrás sobre el tope-guía, hacia la parte trasera.
2. Acople la palanca de fijación del mecanismo (artículo 27, página 63) levantando la lengüeta de dedo. Compruebe que el movimiento del mecanismo es detenido.
3. Posicione apropiadamente la pieza de trabajo y sujétela firmemente con una abrazadera a la mesa y/o al tope-guía.

⚠ ADVERTENCIA Use una posición de sujeción con abrazadera que no interfiera con la operación. Antes de “ENCENDER” la herramienta, baje el ensamblaje del cabezal para asegurarse de que la abrazadera no toque el protector ni el ensamblaje del cabezal.

Realización de un corte de troceado

1. Active el interruptor y luego baje completamente el cabezal de la sierra para hacer el corte.
2. Sujete hacia abajo el cabezal de la sierra hasta que la hoja se detenga por completo. Devuelva el cabezal de la sierra hasta la posición hacia ARRIBA. Retire la pieza de trabajo.

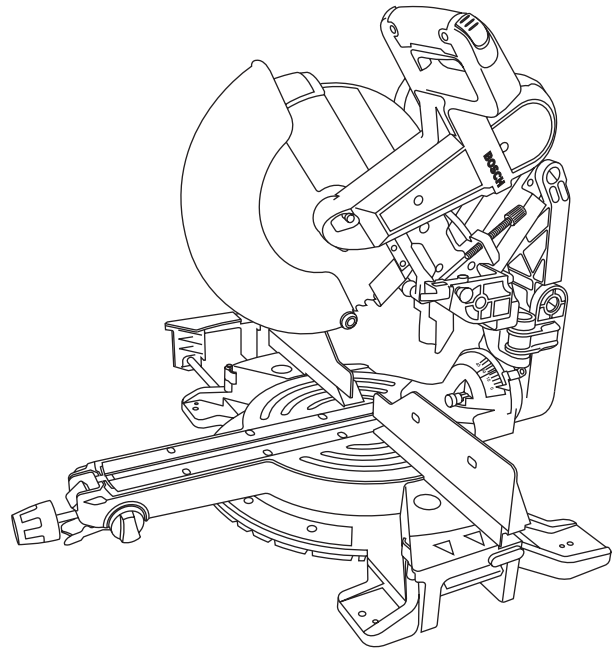


Figura 42. Corte de troceado

Operaciones de la sierra

Cortes deslizantes

Qué es un corte deslizante – Características de la sierra

- Un “corte deslizante” se hace con el ensamblaje del cabezal desbloqueado y capaz de moverse de manera que se aleje del tope-guía. Este movimiento es soportado y controlado con precisión por el sistema de deslizamiento axial. La máxima capacidad de corte transversal se utiliza empleando este método.
- El mejor uso de un corte deslizante es para cortar transversalmente piezas de trabajo más anchas que las que se pueden cortar mediante troceado; piezas más anchas de 5-1/2 pulgadas y hasta una anchura máxima de 13-3/8 pulgadas transversalmente.

⚠ ADVERTENCIA No jale NUNCA la sierra hacia usted durante un corte. La hoja puede trepar repentinamente sobre la pieza de trabajo y forzarse a sí misma hacia usted.

Preparación para un corte deslizante

1. Coloque el cabezal de la sierra en la posición hacia ARRIBA.
2. Desacople la palanca de fijación del mecanismo (artículo 27, página 63) empujando hacia abajo sobre la lengüeta de dedo. Con el ensamblaje del cabezal en la posición hacia ARRIBA, muévalo completamente hacia delante y hacia atrás para comprobar si el sistema de deslizamiento axial se mueve suavemente.
3. Posicione apropiadamente la pieza de trabajo y sujétela firmemente con una abrazadera a la mesa y/o al tope-guía.

⚠ ADVERTENCIA Utilice una posición de sujeción con abrazadera que no interfiera con la operación. Antes de “ENCENDER” la herramienta, baje el ensamblaje del cabezal para asegurarse de que la abrazadera no toque el protector ni el ensamblaje del cabezal.

Realización de un corte deslizante

1. Agarre el mango con interruptor y jale el ensamblaje del cabezal de la sierra (en la posición hacia ARRIBA) alejándolo del tope-guía. Vea la Flecha 1 en la figura 43.
2. Active el interruptor y baje completamente el ensamblaje del cabezal de la sierra. En piezas de trabajo más grandes, es posible que esta acción también inicie el corte. Vea la Flecha 2 en la figura 43.
3. Empuje hacia abajo y hacia atrás para que el ensamblaje del cabezal de la sierra se mueva hacia el tope-guía y hasta la posición completamente hacia atrás hasta que complete el corte. Vea la Flecha 3 en la figura 43. NOTA: Si se siente una resistencia elevada, no ejerza una fuerza excesiva. Deje de cortar, espere hasta que la hoja se detenga e investigue el problema.
4. Sujete hacia abajo el cabezal de la sierra hasta que la hoja se detenga por completo. Devuelva el cabezal de la sierra a la posición hacia ARRIBA y retire la pieza de trabajo.

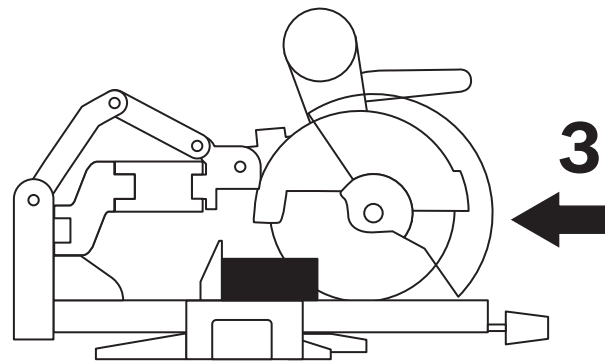
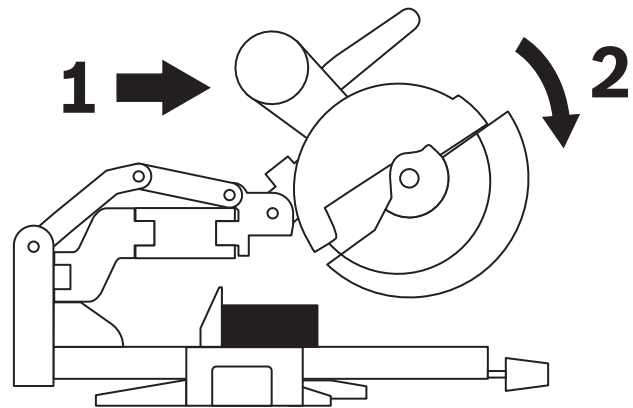


Figura 43. Corte deslizante

Operaciones de la sierra

Cortes a inglete

Qué es un corte a inglete – Características de la sierra

- Un “corte a inglete” es un corte transversal realizado con la hoja perpendicular a la mesa horizontal. La hoja no está inclinada y los indicadores de bisel están ambos en las líneas de 0°.
- Los cortes a inglete se pueden hacer en cualquier ángulo a través de una pieza de trabajo dentro del intervalo de esta sierra, desde 52° a la izquierda hasta 60° a la derecha.
- La escala de ingletes muestra el ángulo de la hoja en relación con el tope-guía de la sierra. El indicador de inglete se instala en la mesa giratoria e indica la posición de inglete de la sierra antes de que se haga el corte.
- Se suministran diez retenes positivos para ofrecer ángulos de inglete preestablecidos rápidos y precisos. Las ubicaciones son a 45°, 31.6°, 22.5°, 15° a izquierda y derecha, y centro a 0°. El lado derecho tiene un retén adicional de 60°.

- Los retenes de moldura de corona ubicados a la izquierda y a la derecha están a 31.6° para cortar moldura de corona con un “ángulo de resorte” de 38° apoyada plana sobre la mesa (consulte “Corte de moldura de corona” en la página 99).
- Para hacer ajustes de precisión en el caso de ángulos de inglete muy próximos a los retenes de inglete, utilice el sobrecontrol del retén de inglete para impedir que el retén se acople automáticamente en la ranura para retén. Consulte las instrucciones de sobrecontrol del retén en la página 87.
- Un corte a inglete se puede hacer como un corte de troceado o como un corte deslizante, dependiendo de la anchura de la pieza de trabajo.
- Los insertos de sección de corte se deben ajustar para que estén lo más cerca posible de la hoja con el fin de reducir el astillamiento (consulte las instrucciones para los insertos de sección de corte en la página 74).

Lectura de la escala de ingletes

La escala de ingletes utilizada en esta sierra incluye varias escalas de información para ayudar al usuario a preajustar esta sierra de manera precisa antes de hacer los cortes (vea la figura 44).

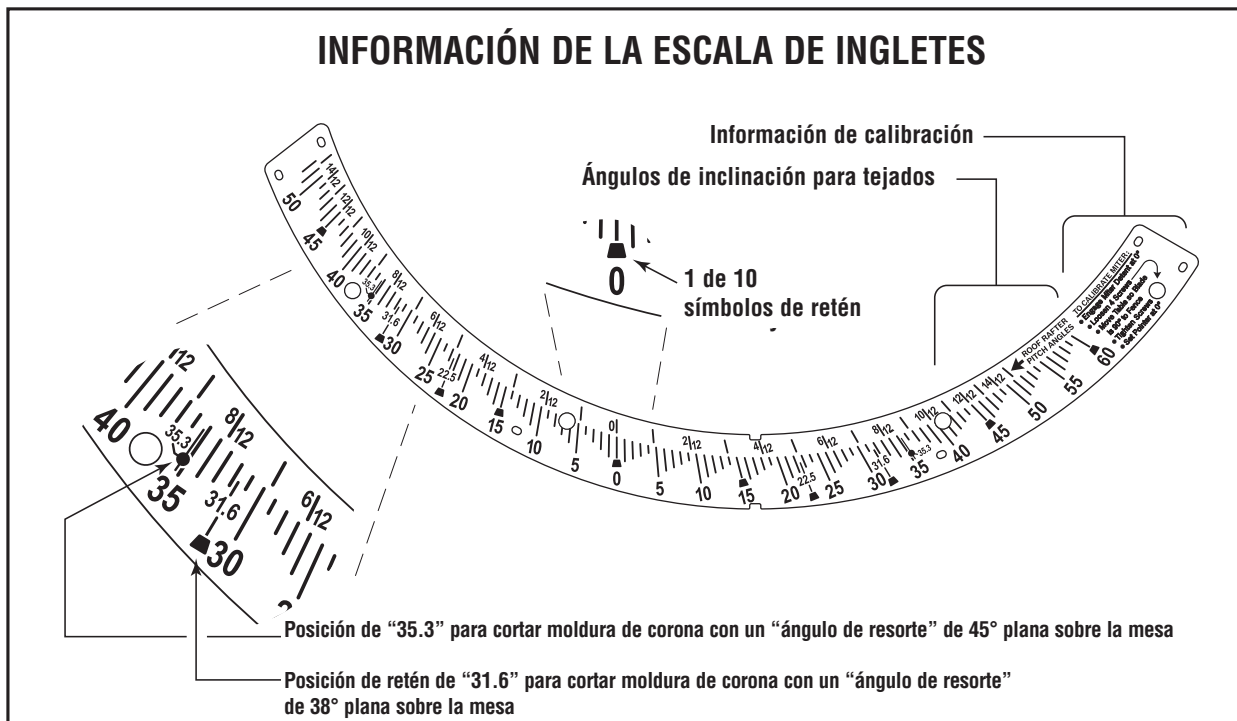


Figura 44. Información de la escala de ingletes

Operaciones de la sierra

Cortes a inglete

Información del ángulo de inclinación – La sección superior de la escala de ingletes muestra los ajustes de ángulo requeridos para cortar cabrios de tejado con el sistema de “ángulo de inclinación”. 2/2, 4/12, 6/12, etc., son todos ángulos de inclinación. Este sistema se basa en el uso de “pulgadas” inglesas. Un tejado con un ángulo de inclinación de 6/12 es igual a una relación de “elevación” de 6 pulgadas por cada “tramo horizontal” de 12 pulgadas (vea la figura 45).

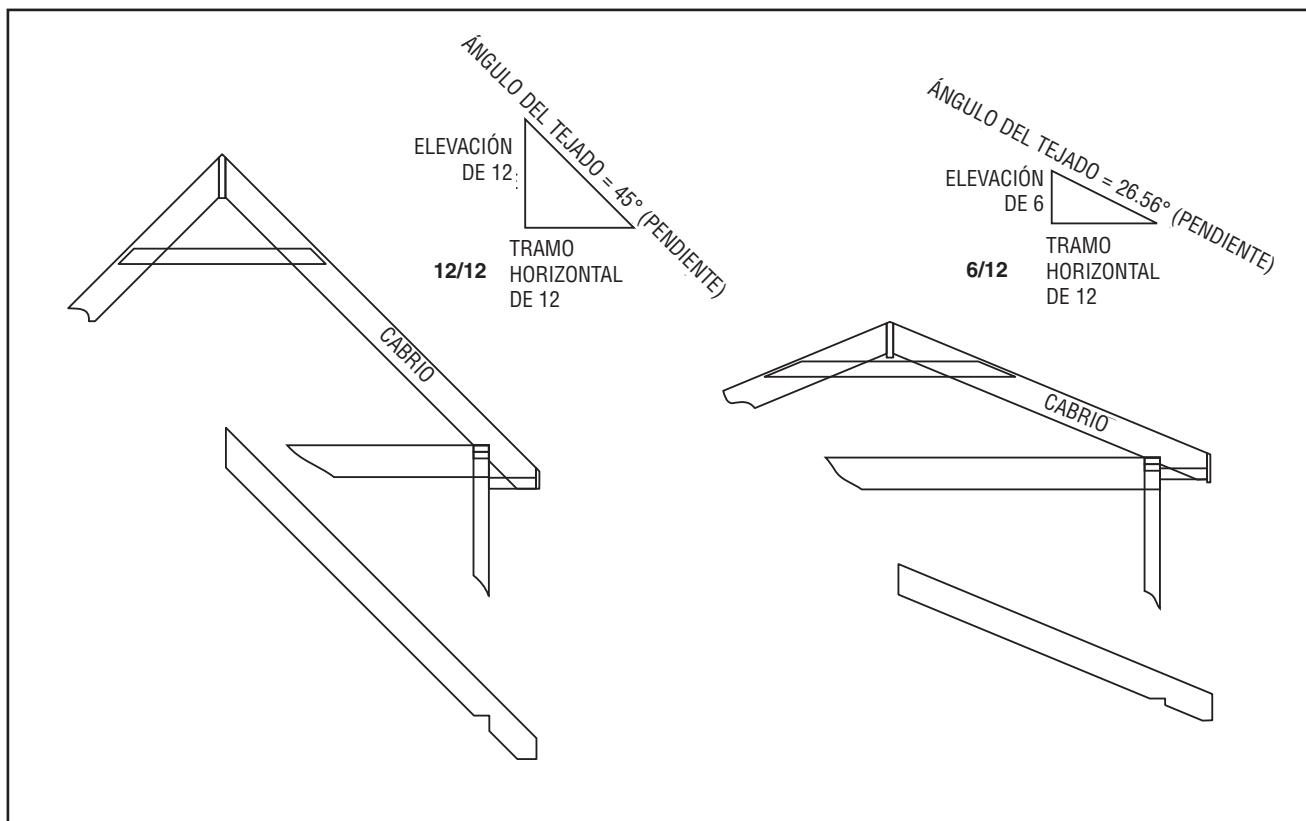


Figura 45. Corte del ángulo de inclinación – Cabrios de tejado comunes

Información de moldura de corona – Hay ajustes de las posiciones de inglete para hacer cortes compuestos de moldura de corona plana sobre la mesa. La moldura de corona con un “ángulo de resorte” de 38° utiliza el ajuste de 31.6 (con retén) y la moldura de corona con un “ángulo de resorte” de 45° utiliza el ajuste de 35.3. NOTA: Este método de corte también requiere que se ajusten ángulos de bisel específicos. Consulte “Corte de moldura de corona” en la página 99.

Operaciones de la sierra

Cortes a inglete

Corte a inglete de tablas de zócalo de 6-1/2 pulgadas – Esta sierra puede cortar a inglete tablas de zócalo de 6-1/2 pulgadas de altura posicionadas verticalmente contra el tope-guía en cualquier ángulo desde 0° hasta 52°. Todos los cortes angulados se deben hacer con la tabla de zócalo colocada en el lado izquierdo de la mesa. Para ciertos cortes, la tabla de zócalo tendrá que ser volteada al revés o colocada con el lado de la cara contra el tope-guía. Use siempre una abrazadera en C para sujetar la tabla de zócalo al tope-guía antes de hacer cortes. **NOTA:** Para cortar tabla de zócalo estándar de hasta 4-1/4 pulgadas de altura, no se requiere colocación especial y se puede cortar a inglete en cualquier ángulo a la izquierda o a la derecha.

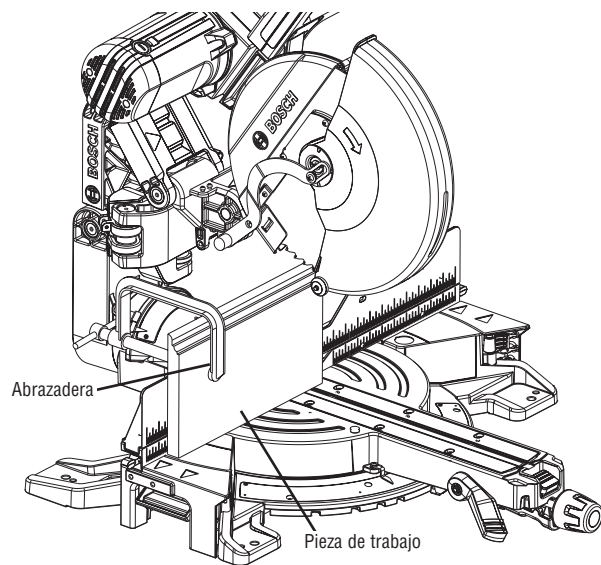


Figura 46

Ajuste de la sierra para hacer un corte a inglete

1. Consulte "Utilización del sistema de retén de inglete" en la página 87.
2. Afloje el pomo de fijación de inglete. Levante la palanca de retén de inglete y mueva la sierra hasta el ángulo deseado, utilizando los retenes o la escala de ingletes. Apriete el pomo de fijación de inglete (vea la figura 47).
3. Extienda las extensiones de la base y el tope-guía en el lado en el cual se hará el corte (consulte "Soporte de la pieza de trabajo" en la página 83).
4. Posicione apropiadamente la pieza de trabajo. Asegúrese de que la pieza de trabajo esté sujeta firmemente con una abrazadera contra la mesa o el tope-guía.

⚠ ADVERTENCIA Utilice una posición de sujeción con abrazadera que no interfiera con la operación. Antes de "ENCENDER" la sierra, baje el cabezal de la sierra para asegurarse de que la abrazadera no toque el protector ni el ensamblaje del cabezal.

5. Siga los procedimientos para realizar un corte de troceado o un corte deslizante (consulte las páginas 88-89).
6. Espere hasta que la hoja de sierra se detenga por completo antes de devolver el cabezal a la posición elevada y luego retire la pieza de trabajo.

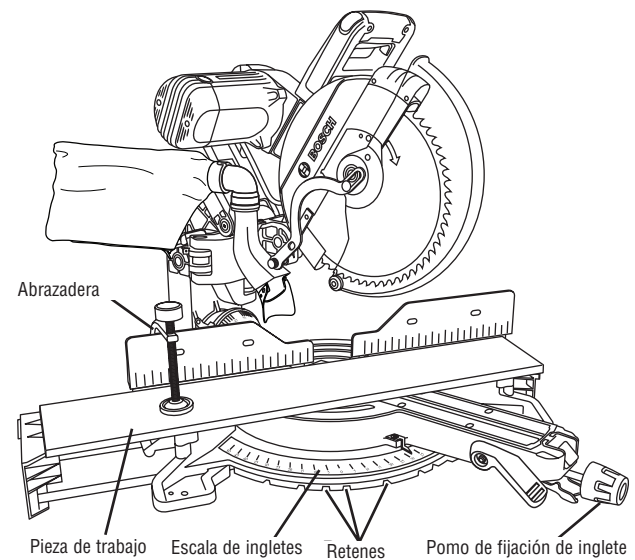


Figura 47. Corte a inglete

Operaciones de la sierra

Cortes en bisel

Qué es un corte en bisel – Características de la sierra

- Un “corte en bisel” es un corte transversal realizado con la hoja perpendicular al tope-guía y con la mesa ajustada a un inglete de 0°. La hoja se puede inclinar hasta cualquier ángulo del intervalo de la sierra: el izquierdo es de 0 a 47° y el derecho es de 0 a 47°.
- La escala de bisel está dimensionada y posicionada para facilitar su lectura. Vea la figura 48.

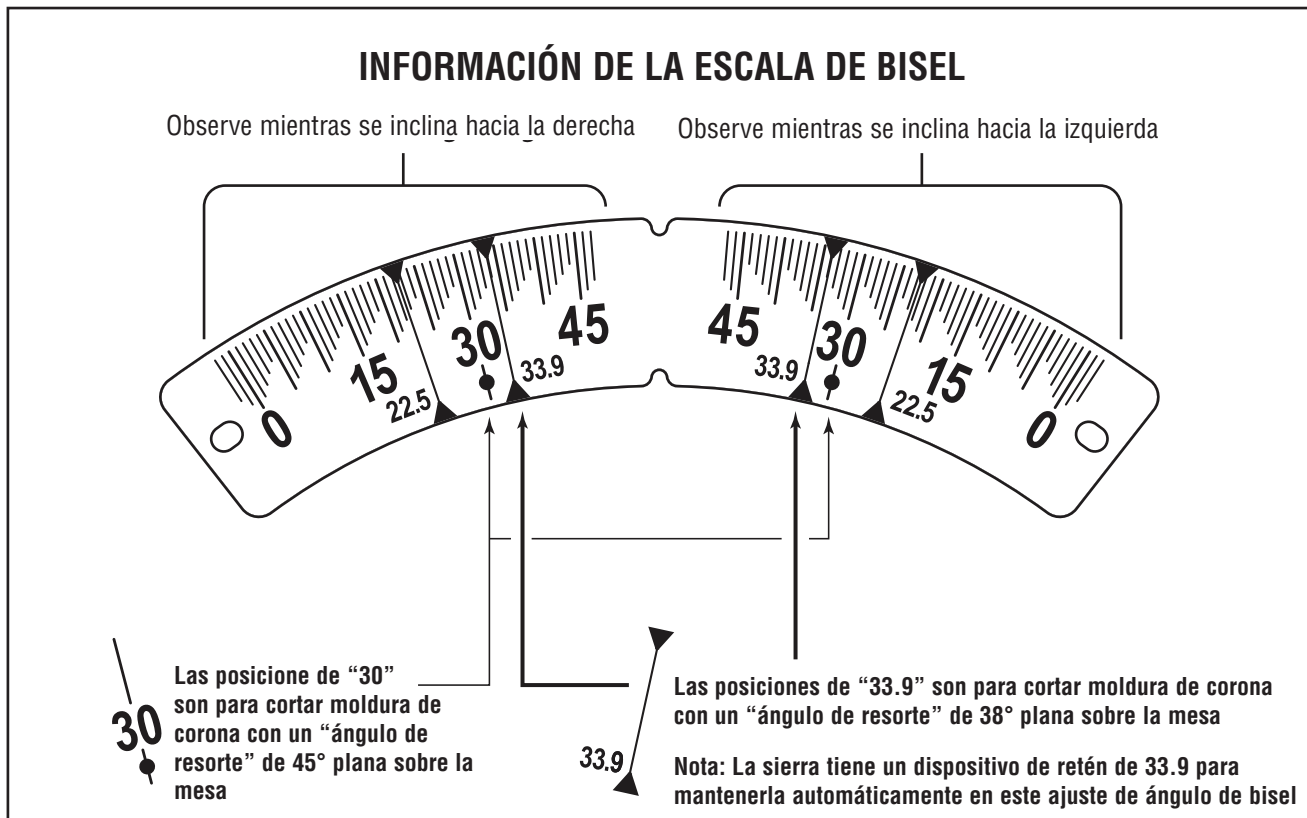


Figura 48. Información de la escala de bisel

Operaciones de la sierra

Cortes en bisel

Pomo selector del intervalo de bisel – Esta sierra tiene un control delantero en el lado derecho del brazo de la mesa. Esto se conoce como el pomo selector del intervalo de bisel (artículo 41, página 63). Está unido a los topes y los mecanismos de fijación ubicados en la parte trasera, que controlan la capacidad de la herramienta para ser posicionada de manera rápida y precisa para hacer cortes en bisel. Hay topes positivos en los ángulos importantes de 45° a la izquierda, 0° (vertical) y 45° a la derecha (vea la figura 49).

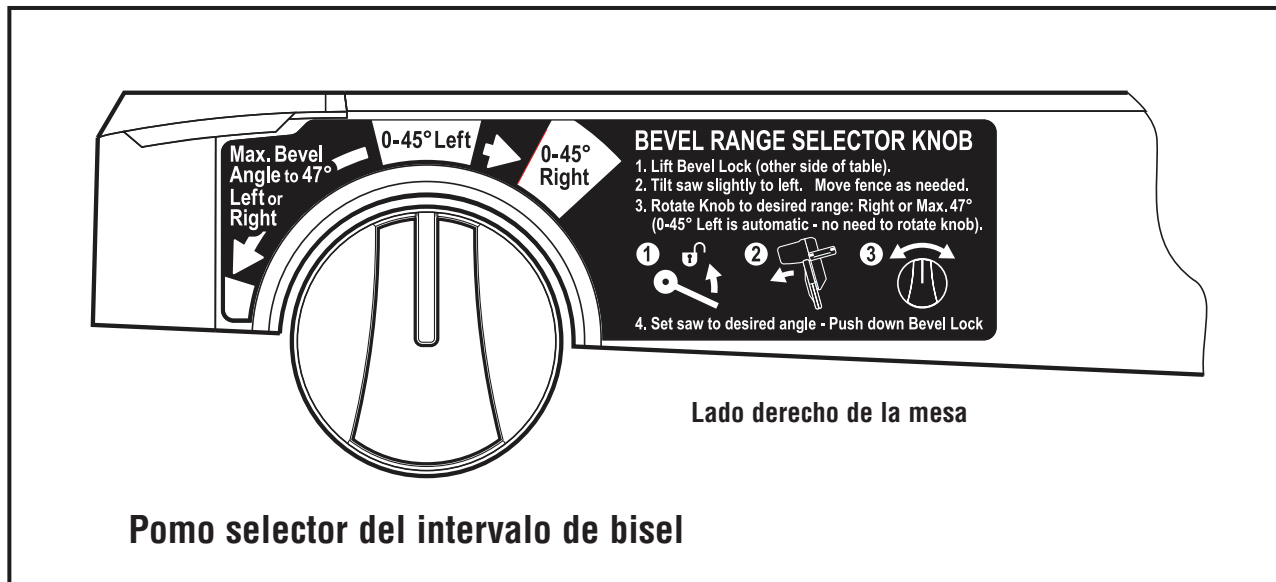


Figura 49. Pomo selector del intervalo de bisel – Lado derecho de la mesa

Operaciones de la sierra

Cortes en bisel

Utilización del pomo selector del intervalo de bisel

Intervalo de bisel 1 = 0-45° a la izquierda

Este intervalo de bisel del lado izquierdo es el ajuste preestablecido.

Para operar en el intervalo de bisel 1:

1. Mueva el tope-guía deslizante izquierdo hacia fuera para que no toque el ensamblaje de la sierra y fíjelo de nuevo (Figura 51).
2. Levante la palanca de fijación de bisel por encima de la altura de la mesa con la mano izquierda.
3. Agarre el mango principal con la mano derecha e incline el ensamblaje de la sierra hasta el ángulo deseado.
4. Una vez que esté en la posición de bisel deseada, sujete el ensamblaje de la sierra con la mano derecha y utilice la mano izquierda para presionar completamente hacia abajo la palanca de fijación de bisel por debajo de la altura de la mesa.

NOTA: Sin "ENCENDER" la sierra, realice un corte en seco para asegurarse de que el tope-guía no toque los protectores y ajústelo si es necesario.

Intervalo de bisel 2 = 0-45° a la derecha

Para operar en el intervalo de bisel 2:

1. Mueva el tope-guía deslizante derecho hacia fuera para que no toque el ensamblaje de la sierra y fíjelo de nuevo (vea la figura 51).
2. Levante la palanca de fijación de bisel por encima de la altura de la mesa con la mano izquierda.
3. Agarre el mango principal con la mano izquierda e incline el ensamblaje de la sierra ligeramente hacia la izquierda mientras rota el pomo selector del intervalo de bisel accionado por resorte con la mano derecha para que el indicador del pomo señale hacia "0-45° a la derecha" como en la etiqueta.
4. Una vez que esté en la posición de bisel deseada, sujete el ensamblaje de la sierra con la mano derecha y utilice la mano izquierda para presionar completamente hacia abajo la palanca de fijación de bisel por debajo de la altura de la mesa.

NOTA: Cuando el ensamblaje de la sierra esté inclinado hacia atrás y hacia la izquierda, pasado 0°, el pomo de control de bisel se acoplará de vuelta a presión al intervalo de bisel preestablecido 1. Esto está diseñado para recuperar el tope de bisel preestablecido en la importante posición de 0°.

Intervalo de bisel 3 = Máximo ángulo de bisel a 47° a la izquierda o a la derecha

Este ajuste del intervalo de bisel de capacidad completa anula todos los toques preestablecidos y permite cortar en ángulos de bisel más allá de los 45° normales a cada lado.

Para operar en el intervalo de bisel 3:

1. Mueva los toques-guía deslizantes izquierdo y derecho hacia fuera para que no toquen el ensamblaje de la sierra y fíjelos de nuevo (vea la figura 51).
2. Levante la palanca de fijación de bisel por encima de la altura de la mesa con la mano izquierda.
3. Agarre el mango principal con la mano izquierda e incline el ensamblaje de la sierra ligeramente hacia la izquierda mientras rota el pomo selector del intervalo de bisel accionado por resorte con la mano derecha para que el indicador del pomo señale hacia el cuadrado rojo ubicado debajo de "Max. Bevel Angle to 47° Left or Right" (Máximo ángulo de bisel a 47° a izquierda o derecha).
4. Una vez que esté en la posición de bisel necesaria, sujete el cabezal de la sierra con la mano derecha y utilice la mano izquierda para presionar hacia abajo la palanca de fijación de bisel por debajo de la altura de la mesa.

NOTA: El pomo selector permanecerá en esta posición de "sobrecontrol". Gire el pomo ligeramente en el sentido de las agujas del reloj y se acoplará de vuelta a presión en el intervalo de bisel 1 (posición preestablecida).

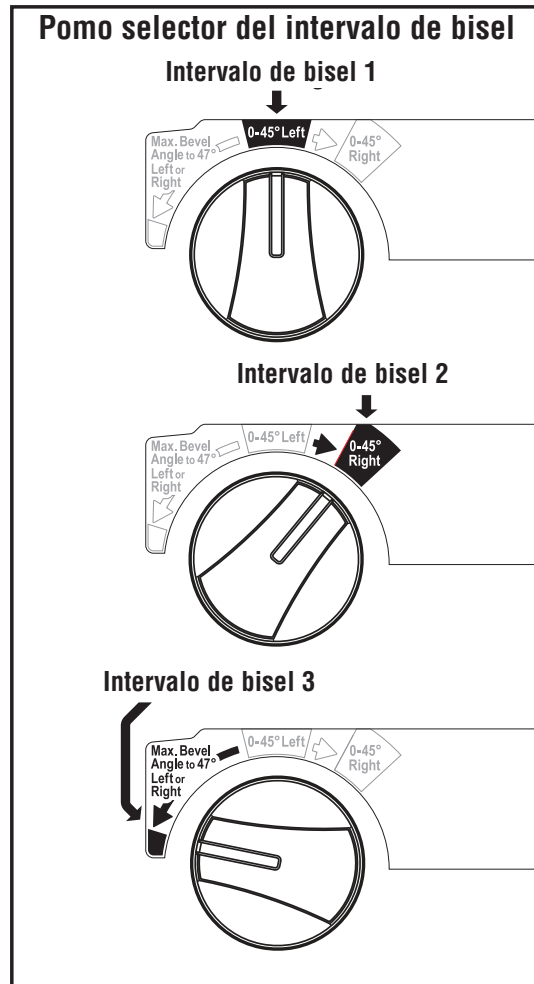


Figura 50

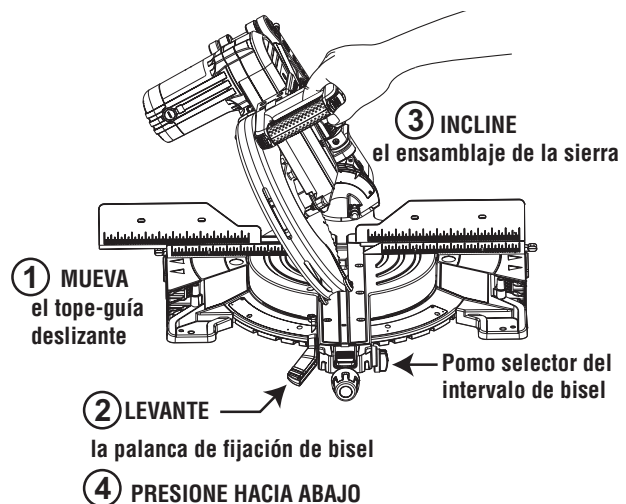


Figura 51

Operaciones de la sierra

Cortes en bisel

Topes y retenes de ángulo de bisel

- La sierra tiene topes de ángulo de bisel que detienen con precisión en los ángulos críticos: 45° a la izquierda, 0°, y 45°. Viene ajustada de fábrica y no debería necesitar ser ajustada. Sin embargo, después de un uso extenso o si la herramienta ha recibido un golpe duro, es posible que requiera un ajuste.
- La sierra tiene un pasador de retén del ángulo de bisel que sólo se puede acoplar a 33.9° a la izquierda o a la derecha. Éste es el ángulo de bisel requerido cuando se corta moldura de corona con un “ángulo de resorte” de 38° plana sobre la mesa. NOTA: Si el pasador de retén de bisel se acopla automáticamente a 33.9° e impide la inclinación de la sierra a otro ángulo, simplemente jálelo hasta la parte delantera y rote su pasador transversal 1/4 de vuelta para que descanse en la posición desacoplada. Si el pasador se está atorando en el interior, incline y oscile el cabezal de la sierra de un lado a otro mientras lo jala (vea la figura 52).

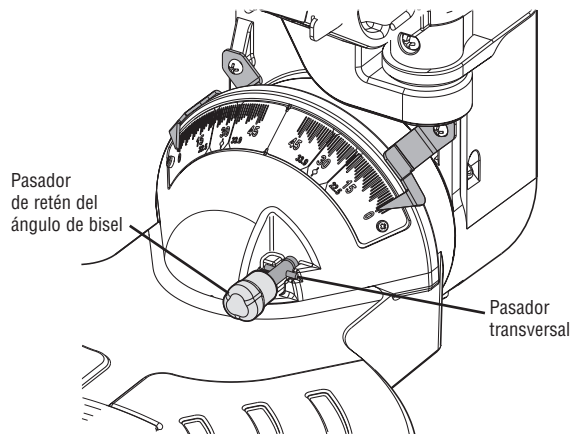


Figura 52. Pasador transversal desacoplado para el intervalo completo de cortes en bisel

Ajuste de la sierra para hacer un corte en bisel

1. Levante la palanca de fijación de bisel para desbloquear (vea el artículo 14, página 62).
2. Escoja el intervalo de bisel deseado utilizando el pomo selector del intervalo de bisel. NOTA: Si está en la posición de 0° y moviéndose al “Intervalo de 0-45°”, es posible que sea necesario mover el ensamblaje del cabezal ligeramente hacia la izquierda antes de que se pueda girar el pomo selector.
3. Agarre el mango principal e incline el ensamblaje del cabezal de la sierra hasta el ángulo deseado mientras observa uno de los indicadores de ángulo de bisel. Observe el indicador derecho cuando incline el ensamblaje hacia la izquierda o el indicador izquierdo cuando incline el ensamblaje hacia la derecha.
4. Continúe sujetando la sierra y empuje hacia abajo sobre la palanca de fijación de bisel (con la mano izquierda) para fijarla. Suelte la herramienta.
5. Siga los procedimientos de corte de troceado o corte deslizante indicados en este manual.

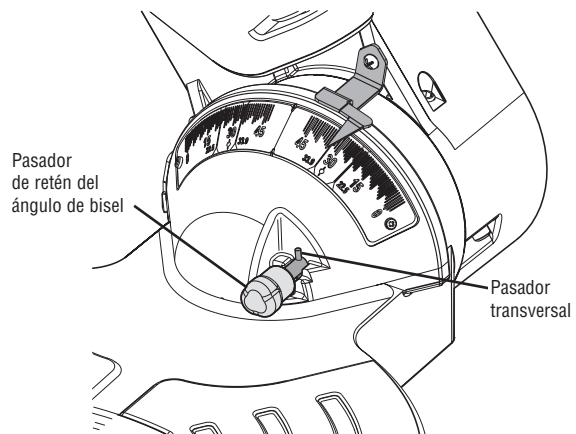


Figura 53. Pasador transversal acoplado para cortar en bisel a 33.9°

Operaciones de la sierra

Cortes compuestos

Qué es un corte compuesto – Características la sierra

- Un “corte compuesto” es un corte transversal sencillo realizado con la hoja de la sierra preajustada en dos ángulos, combinando un ángulo de inglete (relativo al tope-guía vertical) con un ángulo de bisel (relativo a la mesa horizontal).
- Los ángulos de inglete obtendrán con la mesa girada alejándose de 0° y dentro del intervalo de esta sierra de 52° a la izquierda 60° a la derecha.
- Un ángulo de bisel ocurre cuando la hoja está inclinada alejándose de 0°. El intervalo de esta sierra es de 47° a la izquierda a 47° a la derecha. NOTA: Si el pasador de retén de bisel se acopla automáticamente a 31.6° e impide la inclinación de la sierra a otro ángulo, simplemente jálelo hasta la parte delantera y rote su pasador transversal 1/4 de vuelta para que descansa en la posición desacoplado. Si el pasador se está atorando en el interior, incline y oscile el cabezal de la sierra hacia un lado mientras jala de él.
- Un corte compuesto se puede hacer como un corte de troceado o un corte deslizante.
- La realización de cortes de moldura de corona plana sobre la mesa requiere cortes compuestos. Consulte la sección “Corte de moldura de corona” en la página 99.

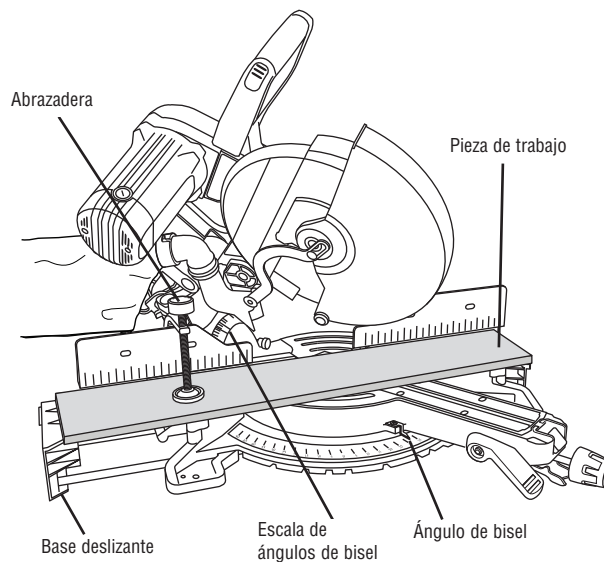


Figura 54. Corte compuesto

Operaciones de la sierra

Corte de ranuras

El ajuste del tope de profundidad es una función que se usa para cortar ranuras en la pieza de trabajo.

El ajuste de profundidad se usa para limitar la profundidad de la hoja para cortar ranuras.

NOTA: Lea y entienda toda las instrucciones indicadas en la página 73, en la sección Ajustes de "Ajuste de la profundidad de la hoja para cortes no pasantes con el fin de cortar ranuras".

NOTA: Para obtener los mejores resultados, Bosch recomienda el uso de una sierra de mesa con un juego de hojas mortajadoras opcional para cortar ranuras y hacer cortes no pasantes. En el caso de que dicho juego no esté disponible, la función descrita a continuación es una alternativa conveniente.

La ranura se debe hacer con corte deslizante.

1. Para ajustar la profundidad de la ranura, jale hacia fuera la placa del tope de profundidad y rote el tornillo del tope de profundidad. Al rotar el tornillo del tope de profundidad en el sentido de las agujas del reloj se subirá la hoja de sierra y al rotar el tornillo en sentido contrario al de las agujas del reloj se bajará la hoja.
2. Para los ajustes pequeños, sólo gire el perno de tope de profundidad hasta llegar a la posición deseada.

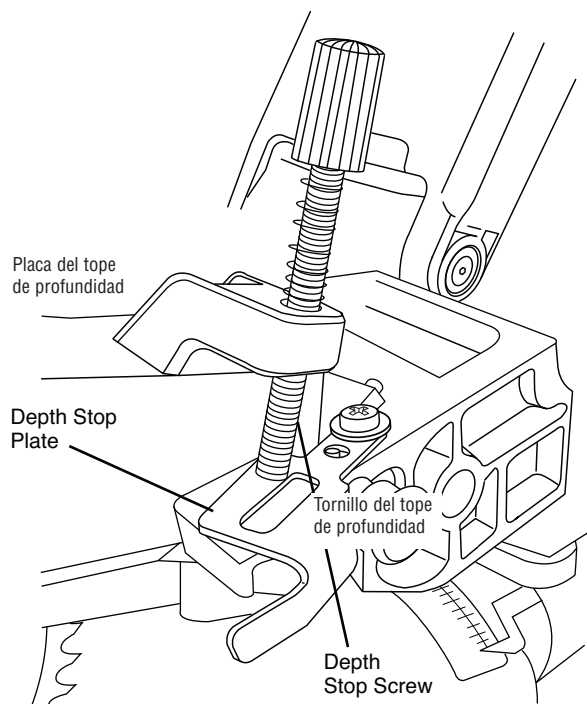


Figura 55. Corte de ranuras

3. Apriete la tuerca estriada.

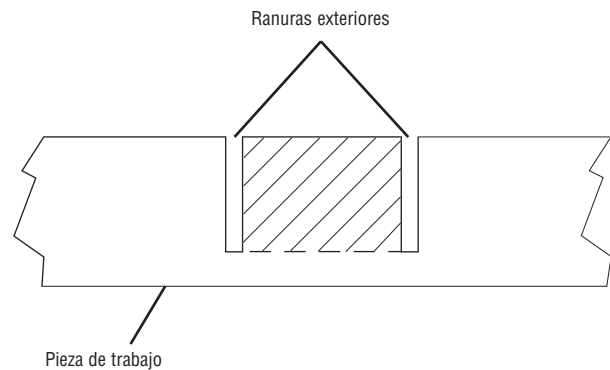


Figura 56. Ranura cortada de modo basto

4. Después de cortar una ranura, "APAGUE" la sierra y espere a que la hoja se detenga.
5. Para retirar el material entre cortes, mueva la pieza de trabajo hacia la derecha o hacia la izquierda. La sierra se debe detener por completo antes de mover la pieza de trabajo.

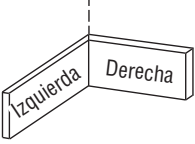
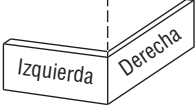
Operaciones de la sierra

Corte de moldura de base

Las molduras de base se pueden cortar en dirección vertical afirmándolas contra el tope-guía u horizontal sobre la mesa. El tamaño máximo vertical contra el tope-guía es de (6-1/2 pulgadas), o (13-1/2 pulgadas) horizontal sobre la mesa.

El corte de moldura de base se puede hacer como un corte de troceado o como un corte deslizante según la anchura de la pieza de trabajo.

Consulte la tabla siguiente para obtener consejos útiles sobre el corte de molduras de base con esquinas de 90°.

INSTRUCCIONES PARA EL CORTE DE MOLDURA DE BASE					
POSICIÓN DE LA MOLDURA EN LA SIERRA →		Moldura en posición vertical: La parte posterior de la moldura está contra el tope-guía		Moldura en posición horizontal: La parte posterior de la moldura está horizontal sobre la mesa	
Angulo de bisel →		Bisel = 0°		Bisel = 45°	
Moldura que se corta →		Izquierda de la esquina	Derecha de esquina	Izquierda de la esquina	Derecha de esquina
Esquina interior de la pared 	Angulo de inglete	Izquierda a 45°	Derecha a 45°	0°	0°
	Posición de la moldura en la sierra	Parte inferior contra la mesa	Parte inferior contra la mesa	Parte superior contra el tope-guía	Parte inferior contra el tope-guía
	Lado acabado	Conservar el lado izquierdo del corte	Conservar el lado derecho del corte	Conservar el lado izquierdo del corte	Conservar el lado izquierdo del corte
Esquina exterior de la pared 	Angulo de inglete	Derecha a 45°	Izquierda a 45°	0°	0°
	Posición de la moldura en la sierra	Parte inferior contra la mesa	Parte inferior contra la mesa	Parte inferior contra el tope-guía	Parte superior contra el tope-guía
	Lado acabado	Conservar el lado izquierdo del corte	Conservar el lado derecho del corte	Conservar el lado derecho del corte	Conservar el lado derecho del corte

Corte de moldura de corona

Los cortes de moldura de corona se deben posicionar apropiadamente que encajen exactamente.

Hay dos maneras de cortar molduras de techo: horizontal sobre la mesa, o en ángulo respecto a la mesa y al tope-guía.

El “ángulo de cara” de las molduras de techo es el que forma la parte posterior de la moldura y la superficie plana inferior que ajusta contra la pared.

Esta sierra de ingletes tiene retenes especiales de inglete a 31.6° y de bisel a 33.9°. Estos retenes permiten posicionar con facilidad la mayor parte de las molduras de techo horizontal sobre la mesa y hacer cortes precisos para esquinas de 90°. **NOTA:** Estos retenes no se pueden usar con molduras de techo de 45°. (Estos retenes sólo se deben usar con molduras de techo que tengan un “ángulo de cara” de 38°).

Vea también en las páginas 100 y 101 las tablas de ángulos de inglete y de bisel para cortar molduras de techo que tengan ángulos de cara de 38° y 45°. Cada tabla tiene los ajustes exactos que se requieren en el inglete y en el bisel, para una gran cantidad de ángulos de esquina.

Aun cuando esos ángulos son los normales, la mayor parte de las habitaciones no tienen ángulos exactos de 90°, por lo que deberá usted hacer ajustes finos.

El Bosch DAF220K Transportador digital / calculador de corte compuesto/ nivel/ MiterFinder opcional mide ángulos de cara y de esquina y determina automáticamente con exactitud los ajustes del inglete y del bisel necesarios para que cada moldura de corona cortada ajuste a la perfección.

Operaciones de la sierra

Moldura de corona angulada con la mesa y el tope-guía

El método preferido para cortar moldura de corona con esta sierra es con la moldura descansando plana sobre la mesa.

La ventaja de cortar moldura angulada contra el tope-guía es que no se requiere ajuste de bisel. Sólo se ajusta el ángulo de inglete.

La anchura máxima de la moldura de corona que se puede cortar y angular respecto a la mesa y el tope-guía es 6-1/2 pulgadas.

Cuando corte moldura de corona de esta manera, se recomienda comprar y utilizar el juego de topes de corona opcional (consulte la página 109).

Siga estas instrucciones para cortar moldura de corona angulada con la mesa y el tope-guía.

1. Posicione la moldura de manera que la parte inferior (la parte decorativa, que se instala contra la pared) esté contra el tope-guía.
2. Para una esquina de 90°, ajuste el ángulo de inglete utilizando el cuadro que aparece más abajo. Apriete el pomo de fijación de inglete.
3. Soporte la moldura de corona contra el tope-guía (consulte "Posición del cuerpo y las manos" en la página 82.)
4. Siga los procedimientos para realizar cortes de troceado o deslizantes (consulte las páginas 88-89).
5. Espere a que la hoja se detenga por completo antes de devolver el ensamblaje del cabezal a la posición elevada y/o retirar la pieza de trabajo.

NOTA: Haga siempre un corte de prueba utilizando una pieza de desecho para confirmar que los ángulos son correctos.

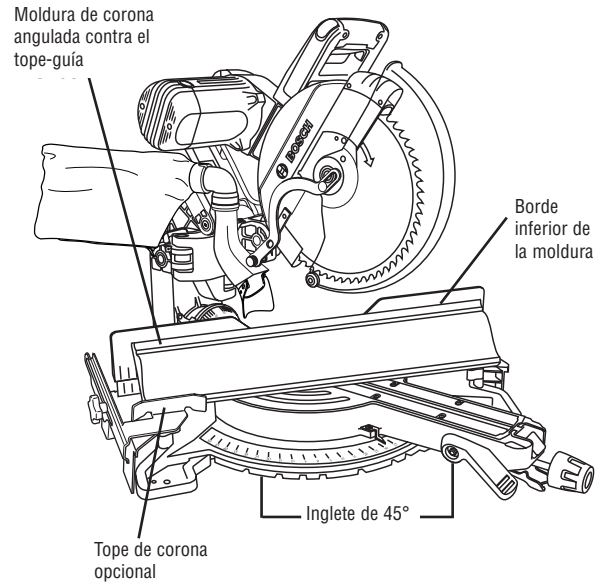


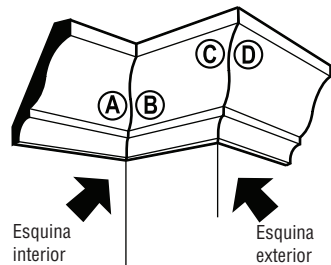
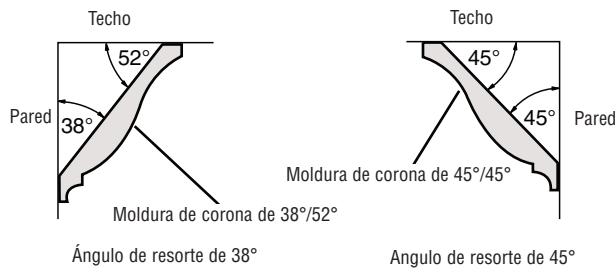
Figura 57. Moldura de corona angulada con la mesa y el tope-guía

Ajustes de inglete y bisel para cortes de moldura de corona estándar

(cuando la pieza de trabajo está angulada contra el tope-guía)

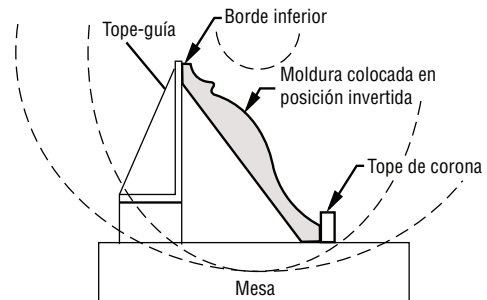
Suposiciones – La moldura está molturada uniformemente. La esquina es de 90°.

Para otros ángulos de esquina, divida la medida real por 2.



Consulte el cuadro

Para cualquier moldura de corona hasta 6 pulgadas		
Nota: Coloque siempre el borde inferior contra el tope-guía	Ajuste de inglete (mesa)	Ajuste de bisel (inclinación)
Esquina interior – Extremo izquierdo (A) Use el extremo izquierdo del corte	45° a la derecha	0° a la izquierda
Extremo derecho (B) Use el extremo derecho del corte	45° a la izquierda	0° a la derecha
Esquina exterior – Extremo izquierdo (C) Use el extremo izquierdo del corte	45° a la izquierda	0° a la derecha
Extremo derecho (D) Use el extremo derecho del corte	45° a la derecha	0° a la izquierda



Corte – Angulado con la mesa y el tope-guía

Operaciones de la sierra

Moldura de corona colocada horizontalmente sobre la mesa

NOTA: Coloque la pieza con su parte posterior recargada de forma horizontal sobre la mesa de la sierra.

Ponga siempre la orilla superior de la moldura contra el tope-guía (con el lado decorativo hacia la parte inferior de la moldura de techo.)

“Ángulo de cara” es el que forman la pared y la moldura de techo.

El corte de una moldura de techo en posición horizontal sobre la mesa se puede hacer como un corte de troceado (pasante) o como un corte deslizante (de ranura), dependiendo del ancho de la pieza de trabajo.

Consulte el tope-guía auxiliar especial para piezas de corte estrechas cuando corte moldura de corona plana sobre la mesa (consulte la página 102).

1. Para una esquina de 90°, establezca los ángulos de inglete y de bisel de acuerdo con las tablas de abajo. Apriete el pomo de fijación de inglete y la palanca de fijación de bisel.
2. Posicione la moldura sobre la mesa de la sierra. Sujete la pieza en su lugar con la abrazadera de acción rápida.

ADVERTENCIA Use una posición de fijación con abrazadera que no interfiera con la operación. Antes de encender la sierra, baje el ensamblaje del cabezal para asegurarse de que la abrazadera no toque ni el protector ni el ensamblaje del cabezal.

3. Siga los procedimientos para corte de troceado o para corte deslizante (vea la páginas 88-89).
4. Espere hasta que la hoja se detenga por completo antes de volver a colocar el ensamblaje del cabezal en la posición subida y/o retirar la pieza de trabajo.

NOTA: Haga siempre un corte de prueba usando madera de desecho para confirmar que los ángulos son correctos.

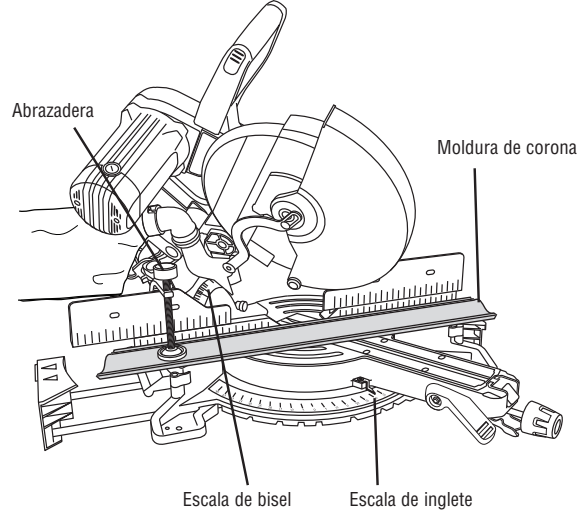
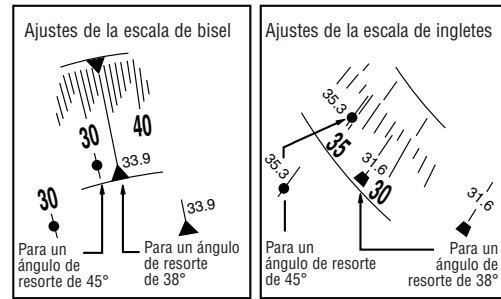


Figura 58. Moldura de corona apoyada en posición plana

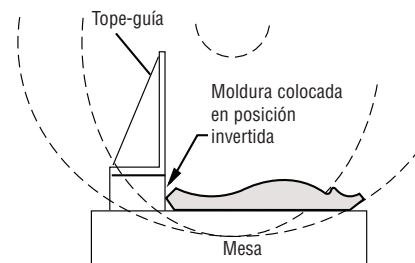
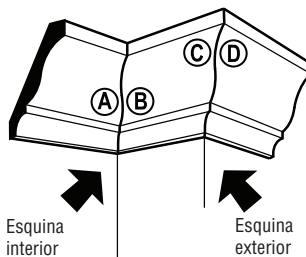
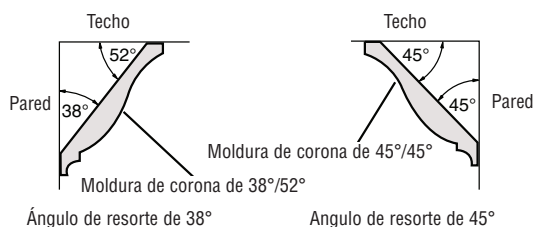


Ajustes de ingletes y biseles para cortes en molduras de techo normales

(con la moldura plana sobre la mesa) Condiciones: La moldura tiene un perfil constante. La esquina tiene 90° exactamente

El ángulo de cara de la moldura es 38 grados		
Nota: Coloque siempre el borde inferior contra el tope-guía	Ajuste de inglete (mesa)	Ajuste de bisel (inclinación)
Esquina interior – Extremo izquierdo (A) Use el extremo izquierdo del corte	31.6° a la derecha	33.9° a la izquierda
Extremo derecho (B) Use el extremo derecho del corte	31.6° a la izquierda	33.9° a la derecha
Esquina exterior – Extremo izquierdo (C) Use el extremo izquierdo del corte	31.6° a la izquierda	33.9° a la derecha
Extremo derecho (D) Use el extremo derecho del corte	31.6° a la derecha	33.9° a la izquierda

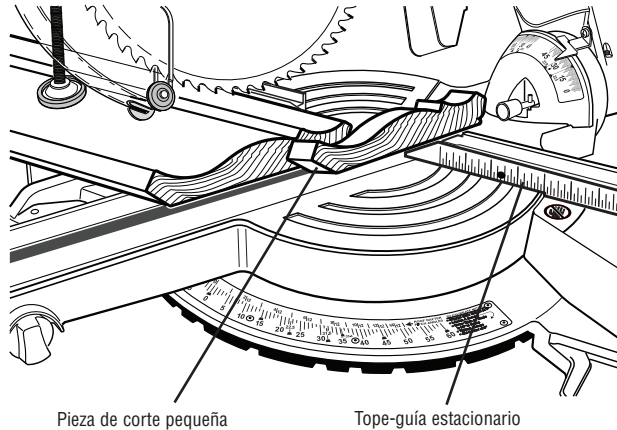
El ángulo de cara de la moldura es 45 grados		
Nota: Coloque siempre el borde inferior contra el tope-guía	Ajuste de inglete (mesa)	Ajuste de bisel (inclinación)
Esquina interior – Extremo izquierdo (A) Use el extremo izquierdo del corte	35.3° a la derecha	30° a la izquierda
Extremo derecho (B) Use el extremo derecho del corte	35.3° a la izquierda	30° a la derecha
Esquina exterior – Extremo izquierdo (C) Use el extremo izquierdo del corte	35.3° a la izquierda	30° a la derecha
Extremo derecho (D) Use el extremo derecho del corte	35.3° a la derecha	30° a la izquierda



Operaciones de la sierra

Tope-guía auxiliar para moldura de corona

ADVERTENCIA Cuando haga un corte compuesto en una moldura ubicada en posición plana sobre la mesa, las piezas de corte estrechas (de 2" de ancho o menos) pueden ser propulsadas a alta velocidad sobre el tope-guía y más allá de la parte trasera de la herramienta (ver la figura 59). Use el tope-guía auxiliar de acuerdo con las instrucciones y de la manera que se muestra en las figuras que aparecen a continuación.

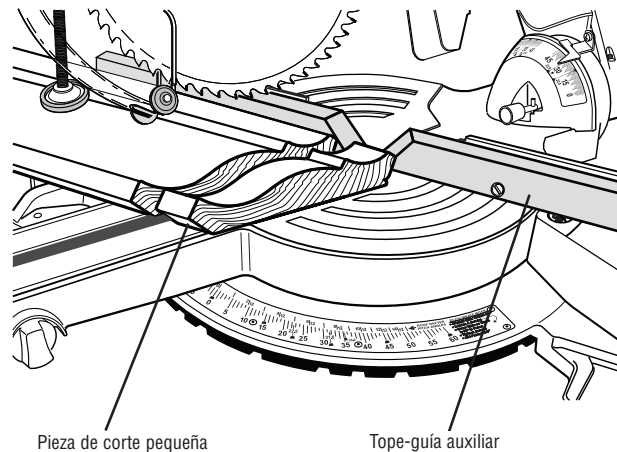


Pieza de corte pequeña

Tope-guía estacionario

Figura 59. Pieza de corte sobre el tope-guía

Se utiliza un tope-guía auxiliar para añadir soporte a la pieza de corte, tal como una moldura de corona grande, cuando se corta plana sobre la mesa (vea la figura 60). Este tope-guía auxiliar reducirá el astillado y el movimiento de la pieza de corte de madera no soportada después de realizar el corte.



Pieza de corte pequeña

Tope-guía auxiliar

Figura 60. Pieza de corte detenida por el tope-guía auxiliar.

Elaboración de un tope-guía auxiliar:

Piezas requeridas:

Tabla de madera (descrita más adelante)

4 tornillos para metales de cabeza plana de 1/4" de diámetro;

2-1/2 pulgadas de longitud

4 arandelas planas de 1/4"

4 tuercas

1. Corte una tabla de madera de 1 x 2 pulgadas nominales para que tenga una longitud de 26-1/16". NOTA: 1 x 2 pulgadas nominales equivalen a 3/4" x 1-1/2" reales. Esta tabla se puede sustituir con madera contrachapada de 3/4" cortada con el tamaño deseado.
2. Haga 4 agujeros a través de la tabla utilizando una broca taladradora de 5/16" de diámetro. Avellane los agujeros con una profundidad suficiente como para que los tornillos de cabeza plana descansen por debajo de la superficie de trabajo delantera. Use una broca taladradora de 1/2" de diámetro. Vea la figura 61.

Quite los tope-guía deslizantes de la herramienta. Vea la página 83.

1. Coloque los tornillos de cabeza plana a través de los agujeros del tope-guía auxiliar y luego a través de los agujeros del tope-guía estacionario que está en la herramienta.
2. Coloque las arandelas y las tuercas sobre las roscas de los tornillos y contra el tope-guía estacionario. Apriete las tuercas.

Uso del tope-guía auxiliar por primera vez:

NOTA: La primera vez que se use el tope-guía auxiliar, la hoja de sierra lo atravesará con un corte pasante; el corte pasante crea una holgura mínima que reduce el astillado en la pieza de trabajo. Ajuste el ángulo de inglete y el ángulo de bisel requeridos antes de hacer el primer corte. Sujete con abrazaderas la pieza de trabajo y luego haga el corte. Ejemplo: Corte compuesto de moldura de corona grande ubicada en posición plana sobre la mesa. Vea la figura 58.

Operaciones de la sierra

Tope-guía auxiliar para moldura de corona

Tope-guía auxiliar — La utilización de un tope-guía auxiliar cuando se corta moldura de corona plana sobre la mesa reducirá el astillamiento de la pieza de trabajo y el movimiento de las piezas de corte pequeñas. Retire los tope-guía deslizantes de la sierra (consulte la página 83) antes de instalar el tope-guía auxiliar.

Construya un tope-guía auxiliar siguiendo el patrón que se indica a continuación. Material: Madera de 3/4 de pulgada x 1-1/2 pulgada.

Añada 4 agujeros tal y como están dimensionados en el patrón -o- Añada agujeros siguiendo los siguientes pasos:

- 1) Corte la madera con las dimensiones exteriores mostradas y sujétela temporalmente al tope-guía estacionario de la sierra utilizando dos abrazaderas en C.
- 2) Utilice una broca taladradora de 1/4 de pulgada para taladrar primero a través de los agujeros existentes en la parte trasera del tope-guía estacionario y luego a través de la madera.
- 3) Retire la madera, avellane la parte delantera de la madera e instálela permanentemente en el tope-guía de la sierra con los herrajes que se muestran más abajo a continuación.

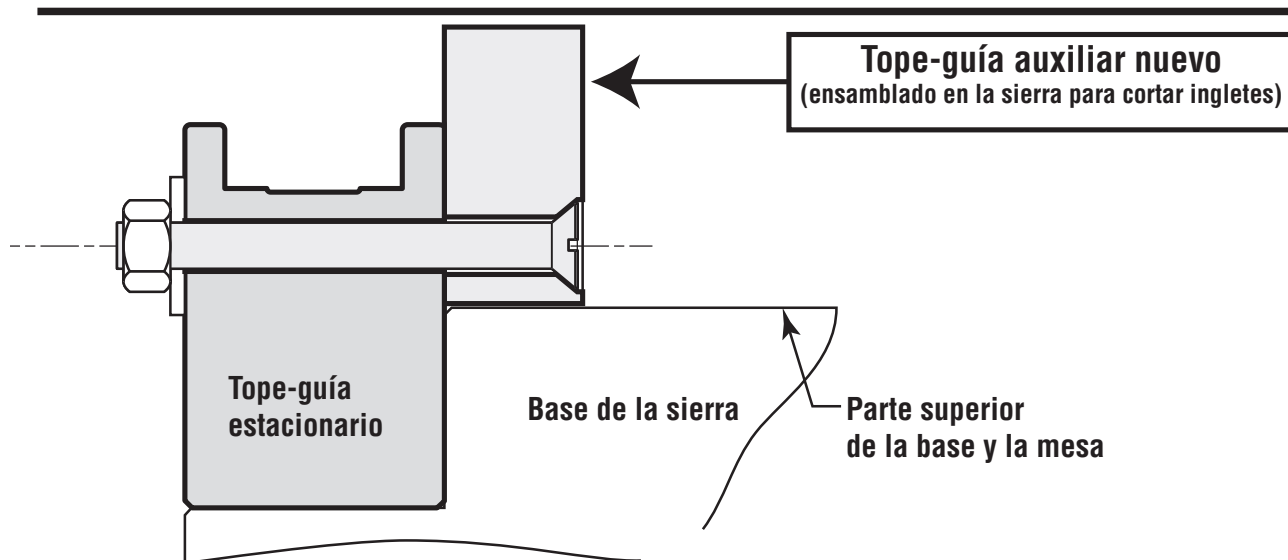
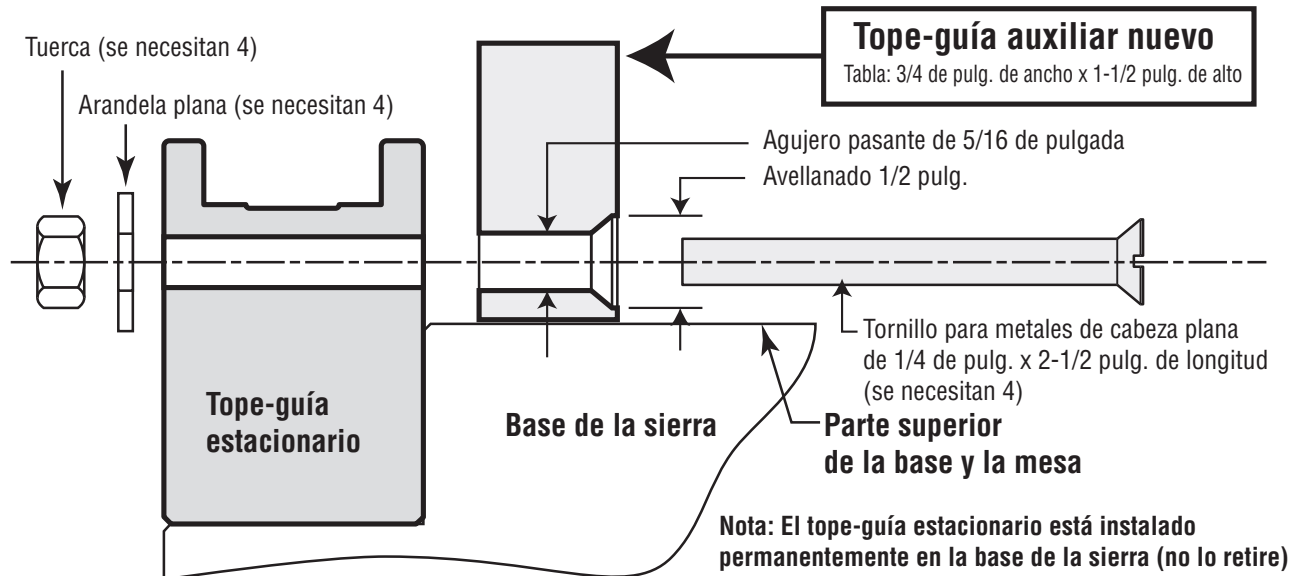
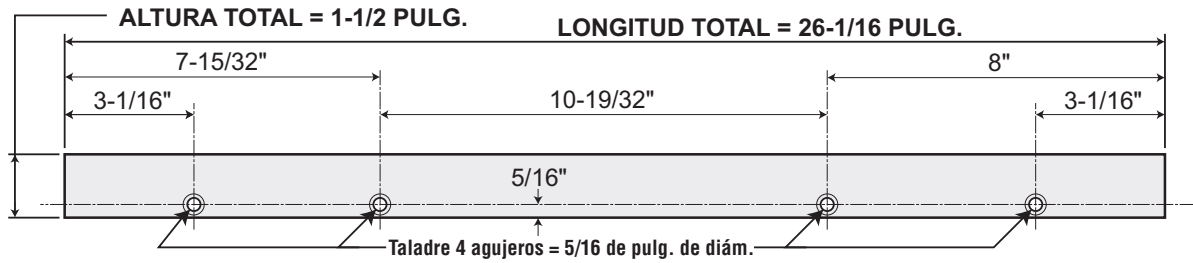


Figura 61
103.

Operaciones de la sierra

Cortes especiales

Los cortes de material arqueado y de material redondo son solamente dos ejemplos de cortes especiales.

Corte de material arqueado

Si la pieza de trabajo está arqueada o combada, fjela con abrazadera con la cara exterior arqueada orientada hacia el tope-guía. Asegúrese siempre de que no haya espacio libre entre la pieza de trabajo, el tope-guía y la mesa a lo largo de la línea de corte. Las piezas de trabajo dobladas o combadas pueden torcerse u oscilar y pueden causar atasco en la hoja de sierra que gira durante el corte (vea la figura 62).

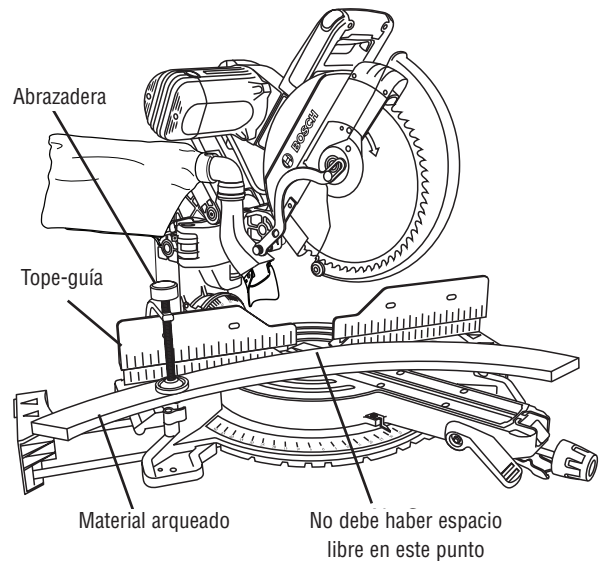


Figura 62. Material arqueado

Corte de material redondo o que tenga forma irregular

Para material redondo, tal como varillas con espiga o tubos, use siempre una abrazadera o un dispositivo de sujeción diseñado para fijar la pieza de trabajo firmemente contra el tope-guía y la mesa. Las varillas tienen tendencia a rodar mientras son cortadas, haciendo que la hoja "muerda" y tire de la pieza de trabajo con la mano del operador hacia la hoja (vea la figura 63).

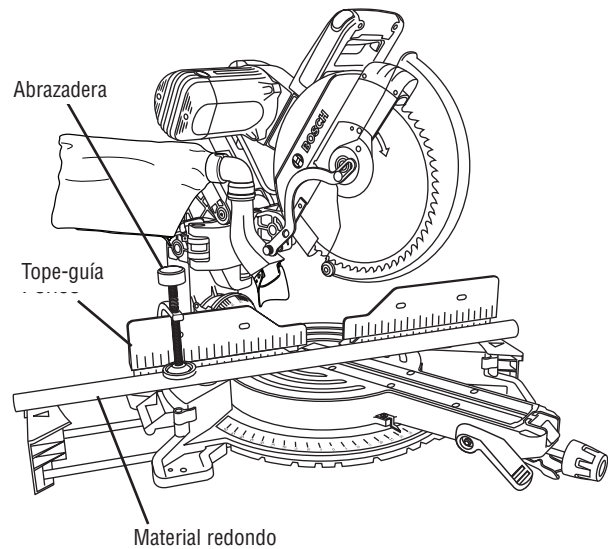


Figura 63. Material redondo

Mantenimiento y lubricación

Servicio

⚠ ADVERTENCIA El mantenimiento preventivo realizado por personal no autorizado puede dar lugar a la colocación incorrecta de cables y componentes internos que podría constituir un peligro serio. Recomendamos que todo el servicio de las herramientas sea realizado por un Centro de servicio de fábrica Bosch o por una Estación de servicio Bosch autorizada.

Escobillas del motor

Las escobillas y el conmutador de la herramienta han sido diseñados para muchas horas de servicio fiable. Para mantener un rendimiento óptimo del motor, recomendamos que cada dos a seis meses se examinen las escobillas. Sólo se deben usar escobillas de repuesto Bosch genuinas diseñadas específicamente para su herramienta.

Cambio de las escobillas del motor

Para inspeccionar o cambiar las escobillas:

1. Desenchufe la sierra.

⚠ ADVERTENCIA La tapa de las escobillas está accionada por resorte por el ensamblaje de las escobillas.

2. Quite la tapa de las escobillas que está en el motor usando un destornillador de hoja plana ancha.
3. Tire de la escobilla para sacarla (vea la figura 64). Repita la operación para el lado contrario.

NOTA: Si instala la escobilla o escobillas existentes, asegúrese de que la escobilla entre del mismo modo en que salió. De lo contrario, se producirá un período de rodaje que reducirá el rendimiento del motor y aumentará el desgaste de las escobillas.

4. Inspeccione las escobillas para comprobar si están desgastadas. En el lado ancho y plano de la escobilla hay una línea de límite de desgaste. Si la cara de contacto de la escobilla está en el límite o más allá de éste (no se ve la línea), cambie el juego de escobillas.
5. Instale la escobilla nueva. Las dos (2) lengüetas del terminal de la escobilla van en el mismo agujero en que se acopla la pieza de carbón.
6. Apriete la tapa de las escobillas pero no la apriete demasiado.

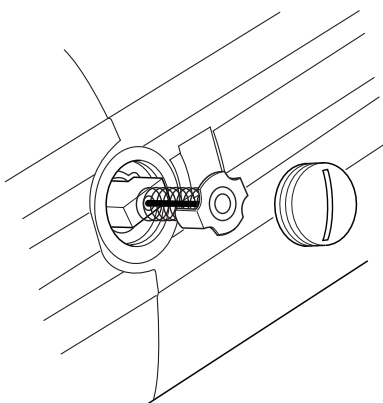


Figura 64. Escobilla del motor

Banda motriz

La correa de accionamiento es un componente de larga vida útil; sin embargo, después de un uso extensivo, es posible que requiera limpieza o reemplazo. El polvo y los residuos pueden entrar a través del sistema de ventilación y afectar el rendimiento de la correa. Periódicamente se debe inspeccionar la correa de accionamiento para comprobar si está desgastada excesivamente. Si la correa muestra señales de estar secándose, agrietándose o desgarrándose, debe ser reemplazada. Si la correa no describe correctamente su trayectoria o se sale de las poleas, debe ser reemplazada. **El reemplazo de la correa debe ser realizado únicamente por un centro de servicio autorizado.**

Limpieza e inspección de la correa de accionamiento:

1. Desenchufe la sierra.
2. Retire los dos tornillos de la cubierta de la correa utilizando un destornillador Phillips No. 2.

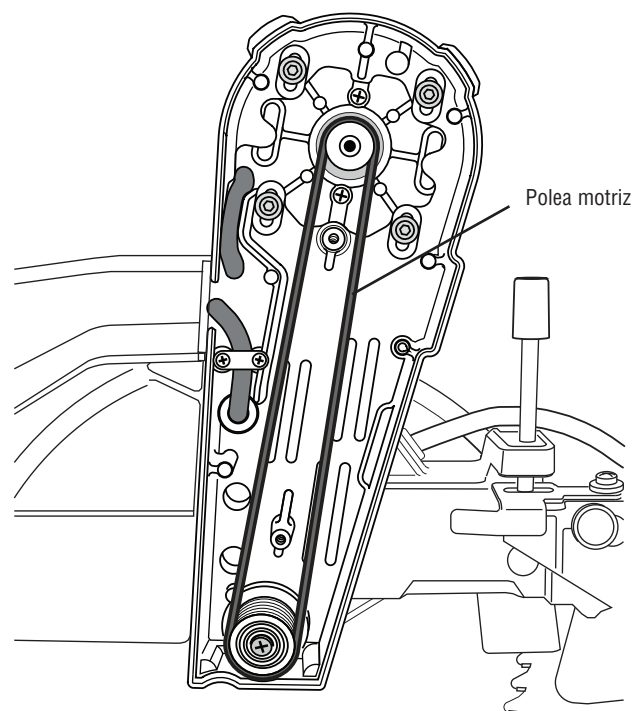


Figura 65. Polea motriz

3. Limpie el área con un cepillo o aire comprimido.
4. Inspeccione la correa. Si se ha secado o agrietado, o está excesivamente floja, es posible que requiera servicio y/o reemplazo.

⚠ ADVERTENCIA Para evitar posibles lesiones, no intente reemplazar la correa de accionamiento (el reemplazo requiere herramientas especiales). Lleve la sierra a un centro de servicio Bosch autorizado.

5. Reemplace la cubierta de la correa y los dos tornillos de la cubierta.

Mantenimiento y lubricación

Limpieza

⚠️ ADVERTENCIA Para evitar accidentes desconecte siempre la herramienta de la fuente de energía antes de la limpieza o de la realización de cualquier mantenimiento. La herramienta se puede limpiar más eficazmente con aire comprimido seco. Use gafas de seguridad siempre que limpie herramientas con aire comprimido.

Las aberturas de ventilación y las palancas de interruptor deben mantenerse limpias y libres de materias extrañas. No intente limpiar introduciendo objetos puntiagudos a través de las aberturas.

Revise periódicamente para asegurarse de que el protector inferior y todas las piezas móviles estén funcionando en forma adecuada.

Saque el serrín acumulado en las piezas que están trabajando, soplando con aire a presión o limpiando con un paño húmedo.

⚠️ ADVERTENCIA Ciertos agentes de limpieza y disolventes dañan las piezas de plástico. Algunos de estos son: gasolina, tetracloruro de carbono, disolventes de limpieza clorados, amoníaco y detergentes domésticos que contienen amoníaco.

Cuidado de las hojas

Las hojas se desafilan incluso al cortar madera normal. Si usted tiene que forzar la sierra hacia adelante para que corte, en vez de simplemente guiarla a través del corte, lo más probable es que la hoja esté desafilada o cubierta de resina de madera.

Cuando limpie la hoja para quitarle la goma y la resina de madera, desenchufe la sierra y quite la hoja. Recuerde, las hojas están diseñadas para cortar, así que manipúlelas cuidadosamente. Limpie la hoja con queroseno o con un disolvente similar para eliminar la goma y la resina. A menos que usted tenga experiencia en afilar hojas, le recomendamos que no lo intente.

Lubricación de las herramientas

Su herramienta Bosch ha sido lubricada adecuadamente y está lista para la utilización. Se recomienda que las herramientas con engranajes se vuelvan a engrasar con un lubricante especial para engranajes en cada cambio de escobillas.

Lubrique periódicamente las piezas en movimiento con silicona, o un rocío de aceite liviano. No utilice grasa porque tiende a atraer y retener el serrín.

Cojinetes

Todos los cojinetes de esta herramienta están lubricados con una cantidad suficiente de lubricante de alto grado para la vida de la unidad en circunstancias normales de funcionamiento. No se requiere lubricación adicional.

Localización y reparación de averías

Guía de localización y reparación de averías eléctricas

PROBLEMA	CAUSA	MEDIDA DE CORRECCION
El freno no detiene la hoja al cabo de 5 segundos.	<ol style="list-style-type: none"> 1. Escobillas no asentadas o que se pegan ligeramente o gastadas. 2. Motor recalentado debido al uso de una hoja desafilada o al uso demasiado pesado de una hoja, al uso de un accesorio no recomendado o a la realización de ciclos rápidos de encendido y apagado. 3. Perno de la hoja flojo. 4. Otra. 	<ul style="list-style-type: none"> — Inspeccione/limpie o cambie las escobillas (vea la sección "Mantenimiento y lubricación"). — Use una hoja afilada. — Use una hoja recomendada. — Deje que la sierra se enfríe. — Apriete el perno de la hoja. — Servicio autorizado.
El motor no arranca.	<ol style="list-style-type: none"> 1. Compruebe que la unidad esté enchufada. 2. Fusible de fuente de energía o de acción retardada. 3. Escobillas desgastadas. 4. Otra. 	<ul style="list-style-type: none"> — Enchufe la unidad. Use otro tomacorriente. — Fusible de acción retardada o cortacircuito de 15 A. — Consulte "Reemplazo de las escobillas del motor" en la sección "Mantenimiento y lubricación". — Asegure el mango en una de las cuatro posiciones correctas.
Se produce un destello de luz proveniente de la tapa del extremo del motor cuando se suelta el interruptor.	Normal. El freno automático funciona adecuadamente.	—

Localización y reparación de averías

Guía de localización y reparación de averías generales

PROBLEMA	CAUSA	MEDIDA DE CORRECCION
El ensamblaje del cabezal no se inclina hasta la posición deseada.	<ol style="list-style-type: none"> 1. El pasador de retén de bisel está acoplado y fija el ángulo de bisel a 33.9°. 2. El ajuste de la perilla de sobrecontrol de retenes de bisel limita el movimiento. 	<ul style="list-style-type: none"> – Jale hacia fuera el pasador de retén de bisel de 33.9° y luego rote el pasador 1/4 de vuelta para mantenerlo fuera. – Cambie la posición del pomo selector del intervalo de bisel (consulte la página 95).
La hoja golpea la mesa.	Desalineación.	– Servicio autorizado.
El ángulo de corte no es preciso.	Los topes de ángulo a 0° o 45° necesitan ajuste.	– Vea la sección Ajustes (páginas 74-79).
No se puede rotar la mesa para cambiar el ángulo de inglete	<ol style="list-style-type: none"> 1. El pomo de fijación de inglete está apretado 2. La palanca de retén de inglete está acoplada con un retén (ranura) en la placa de retén. 3. Acumulación de aserrín. 	<ul style="list-style-type: none"> – Gire el pomo de fijación de inglete en sentido contrario al de las agujas del reloj para aflojarlo. – Jale hacia arriba la palanca de retén de inglete para desacoplarla de la ranura para retén (consulte la página 87). – Elimine el polvo alrededor de la mesa giratoria usando un aspiradora o aire comprimido; use protección de los ojos.
El ensamblaje del cabezal no sube completamente o el protector de la hoja no se cierra completamente.	<ol style="list-style-type: none"> 1. El pasador del ensamblaje del cabezal está acoplado. 2. No se apretó la placa de cubierta después de cambiar la hoja. 3. Acumulación de serrín. 4. Acumulación de serrín. 	<ul style="list-style-type: none"> – Jale hacia fuera el pasador de fijación, permitiendo que el ensamblaje del cabezal suba (consulte la página 71). – Consulte “Remoción e instalación de las hojas” en las páginas 67-68. – Limpie el ensamblaje del cabezal. – Servicio autorizado.
La hoja se engancha, se atasca, quema la madera. Cortes bastos.	<ol style="list-style-type: none"> 1. Funcionamiento inadecuado. 2. Hoja desafilada. 3. Hoja inadecuada. 4. Hoja doblada. 	<ul style="list-style-type: none"> – Consulte la sección “Operaciones de la sierra”. – Cambie o afile la hoja. – Cámbiela por una hoja de 12” de diámetro diseñada para el material que se esté cortando. – Cambie la hoja.
El ensamblaje del cabezal se desliza hacia adelante y hacia atrás al hacer un corte de troceado.	La palanca de fijación del mecanismo está desacoplada.	Jale hacia arriba la lengüeta de la palanca de fijación del mecanismo para acoplarla (consulte la página 72).
El ángulo de bisel no se mantiene firmemente cuando la palanca de fijación de bisel está empujada.	La palanca de fijación de bisel necesita un ajuste de tensión.	Aumente la fuerza de la palanca de fijación de bisel ajustando la tuerca de tensión (consulte la página 79).
Es difícil mover el mecanismo deslizante hacia delante y hacia atrás.	El controlador del movimiento está ajustado demasiado apretado.	Afloje los dos tornillos ubicados en el controlador del movimiento (consulte la página 71).

Localización y reparación de averías

Guía de localización y reparación de averías generales

PROBLEMA	CAUSA	MEDIDA DE CORRECCION
La herramienta vibra o tiembla.	<ol style="list-style-type: none"> 1. Hoja de sierra no redonda. 2. Hoja de sierra dañada. 3. Hoja de sierra floja. 4. Otra. 	<ul style="list-style-type: none"> – Cambie la hoja. – Cambie la hoja. – Asegúrese de que la hoja esté asentada apropiadamente sobre la arandela interna. Consulte “Remoción e instalación de las hojas” en las páginas 67-68. – Servicio autorizado.
El ensamblaje del cabezal no se desliza libremente al intentar un corte deslizante.	La palanca de fijación del mecanismo está acoplada.	Empuje hacia abajo sobre la palanca de fijación del mecanismo para desacoplarla (consulte la página 72).
La hoja no corta completamente la pieza de trabajo.	<ol style="list-style-type: none"> 1. El tornillo del tope de profundidad está ajustado para el corte de ranuras. 2. La hoja de repuesto mide menos de 12 pulgadas de diámetro. 	<ul style="list-style-type: none"> – Empuje la placa del tope de profundidad hacia adentro para ajustar para cortes de profundidad completa (consulte la página 73). – Cambie a una hoja que mida un total de 12 pulgadas de diámetro.
La hoja de sierra o el protector inferior corta o contacta el tope-guía deslizante cuando está ajustada para cortes en bisel.	El tope-guía deslizante no es movido hacia fuera de la trayectoria de la hoja de sierra antes de hacer el corte en bisel.	Mueva el tope-guía deslizante para que no toque el protector inferior ni la hoja de sierra; realice un “corte en seco” para comprobar las holguras antes de hacer cortes en bisel (consulte la página 95).
El ángulo de bisel no se mantiene firmemente cuando la palanca de fijación de bisel está fija.	La palanca de fijación de bisel necesita un ajuste de tensión.	Aumente la tensión de la palanca de fijación de bisel ajustando la tuerca de fijación (consulte la página 79).

Accesorios

DAF220K Transportador digital / calculador de corte compuesto/ nivel/ MiterFinder™ – Muestra la información necesaria para trazar los cortes de modo que ajusten con precisión entre sí, aun cuando la habitación no tenga paredes a escuadra.

Juego de topos de corona 2610009331 – Sujete correctamente la moldura de corona en una posición inclinada contra el tope-guía. Ajuste la moldura para corte vertical simple. No se requiere corte compuesto.

Base de soporte portátil con ruedas TracRac™ T3B

Base de soporte con ruedas de elevación por gravedad para sierras para cortar ingletes T4B

Sécurité



AVERTISSEMENT « LISEZ TOUTES LES INSTRUCTIONS » — L'utilisateur qui négligerait de suivre les CONSIGNES DE SÉCURITÉ précédées d'un POINT NOIR (●) CI-DESSOUS et de prendre d'autres précautions élémentaires risquerait de subir de graves blessures.

Consignes générales de sécurité pour les outils d'établi

Zone de travail

- **Gardez la zone de travail propre et bien éclairée.** Les établis encombrés et les endroits sombres invitent les accidents.
- **N'utilisez pas les outils électriques en atmosphères explosives, comme en présence de poussière, de gaz ou de liquides inflammables.** Les outils électriques créent des étincelles qui peuvent enflammer la poussière ou les vapeurs.
- **Gardez les spectateurs, les enfants et les visiteurs à l'écart lorsque vous utilisez un outil électrique.** Les distractions peuvent vous faire perdre le contrôle.
- **Rangez les outils inutilisés hors de portée des enfants et autres personnes sans formation à cet égard.** Les outils sont dangereux entre les mains d'utilisateurs non formés.
- **Ne laissez pas l'outil en marche, sans surveillance, mettez hors tension.** Ne laissez pas l'outil avant qu'il soit à l'arrêt complet.
- **RENDEZ L'ATELIER À L'ÉPREUVE DES ENFANTS** à l'aide de cadenas ou d'interrupteurs principaux, ou en retirant les clés du démarreur.

Sécurité électrique

- **Avant de brancher l'outil à une prise de courant, assurez-vous que la tension fournie correspond, à 10 % près, à celle spécifiée sur la plaque signalétique.** Une tension de sortie incompatible avec celle spécifiée sur la plaque signalétique risque de blesser sérieusement l'utilisateur sans mentionner l'endommagement de l'outil.
- **Les outils à double isolation sont pourvus d'une fiche polarisée (une lame est plus large que l'autre). Cette fiche ne peut être insérée dans une prise polarisée que d'une seule façon. Si la fiche ne s'insère pas à fond dans la prise, inversez la fiche. Si elle ne rentre toujours pas, contactez un électricien qualifié pour faire poser une prise polarisée. Ne modifiez la fiche d'aucune façon.** La double isolation élimine la nécessité d'un cordon mis à la terre à trois fils et d'une alimentation mise à la terre.
- **Évitez tout contact corporel avec les surfaces mises à la terre telles que tuyaux, radiateurs, cuisinières et réfrigérateurs.** Ces surfaces posent un risque accru de secousses électriques si votre corps est mis à la terre.

- **N'exposez pas les outils électriques à la pluie ou à l'humidité.** L'eau pénétrant dans un outil électrique augmentera le risque de secousses électriques.
- **N'abusez pas du cordon. N'utilisez jamais le cordon pour transporter les outils et ne tirez pas la fiche d'une prise. Tenez le cordon à l'écart de la chaleur, de l'huile, des arêtes vives ou des pièces mobiles. Remplacez les cordons abîmés immédiatement.** Les cordons abîmés augmentent le risque de secousses électriques.
- **Lorsque vous utilisez un outil électrique à l'extérieur, utilisez un cordon de rallonge pour service extérieur marqué « W-A » ou « W ».** Ces cordons sont prévus pour usage extérieur et réduisent le risque de secousses électriques.

Sécurité personnelle

- **Demeurez vigilant, surveillez ce que vous faites et faites preuve de discernement en utilisant un outil électrique.** Un moment d'inattention ou la prise de drogues, d'alcool ou de médicaments peut s'avérer dangereux durant l'utilisation d'un outil électrique.
- **Portez des vêtements convenables. Ne portez pas de vêtements amples ni de bijoux. Pour les cheveux longs, nous conseillons le port d'un serre-tête. Tenez les cheveux, les vêtements et les gants à l'écart des pièces mobiles.** Les vêtements amples, les bijoux ou les cheveux longs risquent de s'accrocher dans les pièces mobiles. Roulez les manches longues au-dessus du coude. Le port de gants en caoutchouc et de chaussures à semelle antidérapante est recommandé si vous travaillez à l'extérieur.
- **Évitez la mise en marche accidentelle. Assurez-vous que l'interrupteur est à l'ARRÊT avant de brancher.** Le transport de l'outil avec le doigt sur l'interrupteur ou le branchement d'outils dont l'interrupteur est à la position de MARCHE invite les accidents.
- **Enlevez les clés de réglage et autres clés avant de mettre l'outil en MARCHE.** Une clé qui est laissée fixée à une pièce rotative de l'outil sera projetée.
- **Travaillez avec aplomb et équilibre à tout moment,** ce qui aide à mieux contrôler l'outil dans les cas imprévus.
- **Ne montez pas sur l'outil ni sur son support.** Des blessures graves peuvent être causées en cas de basculement de l'outil ou de contact accidentel avec l'outil de coupe. Ne conservez pas de matériaux sur ou à proximité de l'outil de sorte qu'il soit nécessaire de monter sur l'outil ou son support pour les atteindre.

« CONSERVEZ CES INSTRUCTIONS »

Sécurité



AVERTISSEMENT « LISEZ TOUTES LES INSTRUCTIONS » — L'utilisateur qui négligerait de suivre les CONSIGNES DE SÉCURITÉ précédées d'un POINT NOIR (●) CI-DESSOUS et de prendre d'autres précautions élémentaires risquerait de subir de graves blessures.

- **Utilisez l'équipement de sécurité. Portez toujours des lunettes à coques latérales.** Un masque anti-poussière, des chaussures de sécurité, un casque dur ou des protège-oreilles doivent être utilisés si la situation l'exige. Les lunettes de tous les jours comportent uniquement des verres résistant aux chocs. Ce NE SONT PAS des lunettes de sécurité.

Utilisation et entretien de l'outil

- **Utilisez des pinces ou autre façon pratique d'assujettir et de supporter l'ouvrage à une plate-forme stable.** Tenir l'ouvrage à la main ou contre son corps n'assure pas la stabilité voulue. L'ouvrage peut ainsi se déplacer, faire gripper l'outil et vous faire perdre le contrôle de l'outil.
- **Ne forcez pas l'outil. Utilisez l'outil convenant à votre application.** L'outil convenable exécutera le travail plus efficacement et plus sûrement à la vitesse à laquelle il est conçu. N'utilisez pas l'outil à une fin autre que celle à laquelle il est prévu — ainsi, n'utilisez pas la scie à onglet pour trancher les viandes.
- **N'utilisez pas l'outil si l'interrupteur ne le met pas en MARCHÉ et à l'ARRÊT.** Tout outil qui ne peut être commandé par l'interrupteur est dangereux.
- **Débranchez la fiche de la prise de courant avant d'effectuer tout réglage ou de changer les accessoires.** Ces mesures préventives réduisent le risque d'une mise en marche accidentelle.
- **Gardez les outils de coupe affilés et propres.** Des outils bien entretenus, avec tranchants affilés, sont moins susceptibles de gripper et plus faciles à contrôler. Lorsque vous montez des lames de scie, assurez-vous que la flèche de la lame correspond au sens de la flèche marquée sur l'outil et que les dents pointent également dans le même sens.
- **Inspectez les protecteurs avant d'utiliser un outil. Gardez les protecteurs en place. Vérifiez si les pièces mobiles grippent ou tout autre état pouvant influencer sur le fonctionnement normal ou les fonctions de sécurité de l'outil. Si l'outil est abîmé, faites-le réparer avant de l'utiliser.** Beaucoup d'accidents sont causés par des outils mal entretenus.
- **Ne modifiez pas l'outil et n'en faites pas un usage inapproprié.** Toute altération ou modification constitue un usage inapproprié et peut causer des blessures graves.
- **L'utilisation de tout autre accessoire non précisé dans ce manuel peut créer un danger.** Les accessoires qui peuvent être adéquats pour un type d'outil peuvent devenir dangereux lorsqu'ils sont utilisés sur un outil inapproprié.

Réparation

- **L'outil ne doit être réparé que par des techniciens de réparation qualifiés.** Les réparations ou l'entretien effectués par des personnes non qualifiées peuvent résulter en un positionnement erroné de composants et de fils internes, ce qui peut provoquer des dangers sérieux.
- **N'utilisez que des pièces de rechange identiques pour réparer un outil. Suivez les instructions de la section Maintenance et Lubrification de ce mode d'emploi.** L'utilisation de pièces non autorisées ou le non-respect des consignes d'entretien peut être dangereux.

Consignes de sécurité pour les scies à onglet

- **Pour réduire le risque de blessure, utiliser une lame homologuée pour 3800 coups/min (tr-mn) ou plus.**
- **Utilisez des pinces pour supporter l'ouvrage chaque fois que possible. Si vous supportez l'ouvrage à la main, vous devez toujours garder la main à l'extérieur de la zone interdite aux mains, identifiée par un symbole sur la base. N'utilisez pas cette scie pour couper des pièces qui sont trop petites pour être bien assujetties.** Si elle est placée à l'intérieur de la zone interdite aux mains, votre main peut glisser facilement ou être tirée dans la lame.
- **N'insérez pas la main à l'arrière de la lame de scie, derrière le guide, pour tenir ou supporter l'ouvrage, enlever des débris de bois ou toute autre raison.** La proximité de la lame de scie en rotation à votre main peut ne pas être évidente, et vous pourriez être grièvement blessé.
- **Ne passez jamais la main à travers la ligne de coupe prévue.** Il est très dangereux de supporter l'ouvrage à main croisée, à savoir, en tenant le côté gauche de l'ouvrage avec votre main droite.
- **Débranchez toujours le cordon de la prise de courant avant d'effectuer quelque réglage que ce soit ou de poser des accessoires.** Vous pouvez mettre la scie en marche par mégarde, et être blessé grièvement.
- **Les scies à onglet sont destinées principalement à couper le bois ou des produits similaires ; on ne peut les utiliser avec des meules à tronçonner pour couper des matériaux ferreux tels que barres, tiges, poteaux, etc. Cependant, pour couper des matériaux tels que l'aluminium ou autres métaux non ferreux, utilisez uniquement des lames de scie recommandées spécifiquement pour la coupe de métaux non ferreux.** La coupe de matériaux ferreux forme une quantité excessive d'étincelles et abîmera le protecteur inférieur en plus de créer une surcharge sur le moteur.

« CONSERVEZ CES INSTRUCTIONS »

Sécurité



AVERTISSEMENT « LISEZ TOUTES LES INSTRUCTIONS » — L'utilisateur qui négligerait de suivre les CONSIGNES DE SÉCURITÉ précédées d'un POINT NOIR (●) CI-DESSOUS et de prendre d'autres précautions élémentaires risquerait de subir de graves blessures.

- **Inspectez votre ouvrage avant de couper. Si l'ouvrage est cintré ou gondolé, pincez-le avec la face cintrée extérieure dirigée vers le guide. Assurez-vous toujours qu'il n'y a pas d'écartement entre l'ouvrage, le guide et la table le long de la ligne de coupe.** Les ouvrages pliés ou gondolés peuvent se tordre ou culbuter, et peuvent faire gripper la lame de scie en rotation durant la coupe. Assurez-vous également de l'absence de clous ou de corps étrangers dans l'ouvrage.
- **N'utilisez pas la scie tant que la table n'est pas libérée de tous outils, débris de bois, etc, sauf l'ouvrage.** Les petits débris ou pièces détachées de bois ou autres objets venant en contact avec la lame en rotation peuvent être projetés à haute vitesse en direction de l'opérateur.
- **N'introduisez pas l'ouvrage dans la lame et ne coupez d'aucune manière à « main libre ».** L'ouvrage doit être fixe et cramponné ou serré par votre main. La scie doit être insérée à travers l'ouvrage doucement et à une vitesse qui ne surchargera pas le moteur de la scie.
- **Coupez un seul ouvrage à la fois.** Les ouvrages multiples ne peuvent être cramponnés ou serrés adéquatement, et ils peuvent gripper sur la lame ou se déplacer durant la coupe.
- **Assurez-vous que la scie à onglet est montée ou placée sur une surface de travail ferme et à niveau avant de l'utiliser.** Une surface de travail ferme et à niveau réduit le risque d'instabilité de la scie à onglet.
- **Planifiez votre travail. Obtenez des accessoires de support adéquats tels que tables, chevalets de scieur, rallonge de table, etc. pour les ouvrages plus larges ou plus longs que le dessus de la table (voir page 137).** Les ouvrages plus longs ou plus larges que la table de la scie à onglet peuvent basculer s'ils ne sont pas supportés adéquatement. Si la pièce tronçonnée ou l'ouvrage bascule, il peut lever le protecteur inférieur ou être projeté par la lame en rotation.
- **N'utilisez pas une autre personne en remplacement d'une rallonge de table ou comme support supplémentaire.** Un support instable de l'ouvrage peut faire gripper la lame ou déplacer l'ouvrage durant la coupe, tirant ainsi votre assistant et vous-même dans la lame en rotation.
- **La pièce tronçonnée ne doit pas être bloquée contre la lame de scie en rotation ni être pressée par aucun autre moyen contre celle-ci.** Si elle est captive, en utilisant des butées de longueur, par exemple, elle pourrait être coincée contre la lame et être projetée violemment.
- **Utilisez toujours un serre-joints ou un dispositif conçu de manière à supporter adéquatement les matériaux ronds tels que les goujons ou les tubes.** Les goujons ont tendance à rouler pendant qu'on les coupe, ce qui amène la lame à « mordre » et tire l'ouvrage et votre main dans la lame.
- **En coupant des ouvrages de forme irrégulière, planifiez votre travail de manière à ce que l'ouvrage ne glisse pas et ne vienne pas pincer la lame, pour être ensuite tiré de votre main.** Une pièce de moulure doit ainsi être posée à plat et être tenue par un dispositif ou une monture qui l'empêchera de tordre, basculer ou glisser pendant la coupe.
- **Laissez la lame atteindre une vitesse maximum avant de la mettre en contact avec l'ouvrage.** Ceci aidera à éviter la projection d'ouvrages.
- **Si l'ouvrage ou la lame se bloque ou se coince, mettez la scie à onglet à l'ARRÊT en relâchant l'interrupteur. Attendez que toutes les pièces mobiles s'arrêtent et débranchez la scie à onglet avant de libérer les matériaux coincés.** Le fait de continuer à scier avec l'ouvrage coincé pourrait entraîner une perte de contrôle ou des dommages à la scie à onglet composée.
- **La tête de scie est secouée vers le bas sous l'effet de l'action de freinage de la scie. Soyez prêt à cette réaction en pratiquant une coupe incomplète ou en relâchant l'interrupteur avant que la tête ne soit complètement DESCENDUE.**
- **Après avoir terminé la coupe, relâchez l'interrupteur, tenez le bras de la scie en bas et attendez que la lame s'arrête avant de retirer l'ouvrage ou la pièce tronçonnée. Si la lame ne s'arrête pas dans un délai de cinq (5) secondes, débranchez la scie et suivez les consignes apparaissant dans la section Dépannage. IL EST DANGEREUX D'INSÉRER LA MAIN SOUS UNE LAME EN TRAIN DE S'IMMOBILISER.**
- **Il existe des consignes de sécurité supplémentaires pour les opérations particulières de la scie dans la section relative au fonctionnement. Lisez le reste du manuel pour une utilisation sûre de la scie.**
- **La scie à onglet GCM12SD a une action extrêmement régulière et nécessite que l'opérateur saisisse fermement la poignée avant de mettre la scie en marche (« ON »).** Pour une coupe à mouvement latéral, saisissez d'abord la poignée de l'interrupteur en position verticale (UP), et tirez-la vers l'arrière dans la position complètement étendue. La lame doit dépasser l'ouvrage. Assurez-vous que le serre-joint ne gêne pas l'ensemble de protecteur et tête. Mettez ensuite la scie en MARCHE et abaissez la scie jusqu'à la table. PUSSEZ alors la scie à travers l'ouvrage. Relâchez l'interrupteur et attendez que la lame s'arrête complètement avant de relever l'ensemble de tête et de retirer l'ouvrage. Ne jamais « coupez en tirant » car la lame peut grimper sur l'ouvrage causant ainsi un REBOND.
- **Pour une coupe à action de cisaillement, déplacez l'ensemble de tête aussi loin vers l'arrière que possible et engagez le système de verrouillage du mécanisme. Mettez ensuite la scie en MARCHE et abaissez l'ensemble de tête pour pratiquer la coupe. Relâchez l'interrupteur et attendez que la lame s'arrête complètement avant de relever l'ensemble de tête et de retirer l'ouvrage.** Si vous ne verrouillez pas le mécanisme, il est possible que la lame « grimpe » tout à coup au-dessus de l'ouvrage et déclenche un mouvement inattendu dans votre direction.

« CONSERVEZ CES INSTRUCTIONS »

Sécurité

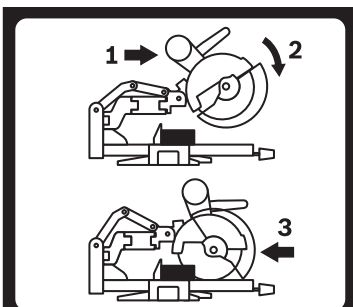
AVERTISSEMENT « LISEZ TOUTES LES INSTRUCTIONS » — L'utilisateur qui négligerait de suivre les CONSIGNES DE SÉCURITÉ précédées d'un POINT NOIR (●) CI-DESSOUS et de prendre d'autres précautions élémentaires risquerait de subir de graves blessures.

- Ne laissez pas la familiarité tirée d'une utilisation fréquente de votre scie à onglet atténuer votre vigilance. N'oubliez jamais qu'une fraction de seconde d'insouciance suffit à causer des blessures graves.
- PENSEZ EN TERMES DE SÉCURITÉ. LA SÉCURITÉ EST UNE COMBINAISON DE BON SENS, DE CONNAISSANCE DES CONSIGNES DE SÉCURITÉ ET DE FONCTIONNEMENT, ET DE VIGILANCE CONSTANTE DE LA PART DE L'OPÉRATEUR LORS DE L'UTILISATION DE LA SCIE À ONGLET.

AVERTISSEMENT LES AVERTISSEMENTS CI-APRÈS SE TROUVENT SUR VOTRE OUTIL. CES AVERTISSEMENTS NE SONT QU'UNE FORME CONDENSÉE DES RÈGLES ET PRÉCAUTIONS DE SÉCURITÉ PLUS DÉTAILLÉES QUI APPARAISSENT DANS VOTRE MANUEL. ELLES SERVENT À VOUS RAPPELER TOUTES LES RÈGLES DE SÉCURITÉ NÉCESSAIRES À UNE UTILISATION SÛRE DE CETTE SCIE À ONGLET.

AVERTISSEMENT Ne vous servez pas de la scie à onglet Bosch GCM12SD pour couper des panneaux de fibrociment. La scie à onglet Bosch n'est pas conçue pour couper des panneaux de fibrociment.

AVERTISSEMENT Pour réduire le risque de blessure, lire et comprendre le mode d'emploi. ▲ Portez une protection oculaire et respiratoire. ▲ Utiliser une lame homologuée pour 3800 coups/min ou plus. ▲ Ne pas utiliser la scie sans système de protection en état de marche. Si le dispositif de protection ne fonctionne pas correctement, le faire réparer. Après un changement de lame, remettre le dispositif de protection en position de fonctionnement. ▲ Garder les mains à une distance sûre de la lame de scie. Toujours rester hors de la zone Pas de mains. ▲ Débranchez la scie avant de l'entretenir ou de changer la lame. ▲ N'étendez pas le bras de l'autre côté ou à l'arrière de la lame de scie. ▲ Gardez les mains à distance des points de pincement. ▲ N'étendez pas le bras de l'autre côté ou à l'arrière de la lame de scie. ▲ Maintenir ou fixer la pièce à travailler contre une base ou un guide. Ne jamais effectuer d'opération à main libre. ▲ Ne pas couper en face de la main. Ne jamais placer la main ou le bras dans le trajet prévu de la lame. Le moteur à l'ARRÊT, simuler un trajet sans couper pour vérifier la portée de la lame. ▲ Pour une coupe en biseau ou de composé, régler le guide coulissant hors du trajet de la lame et du dispositif de protection. ▲ Après l'ARRÊT de la scie, garder la scie en position basse et attendre que la lame s'arrête avant de retirer les pièces découpées ou de changer de réglage. ▲ Afin d'éviter une décharge électrique, ne pas exposer à la pluie ni utiliser dans des endroits humides. ▲ En cas de réparation, n'utiliser que des pièces de rechange identiques.



AVERTISSEMENT POUR UNE COUPE LE LONG D'UN GUIDE, TOUJOURS SUIVRE CES INSTRUCTIONS:

1. TIRER le cadre de la scie hors du guide, jusqu'à ce que la lame sorte de la pièce de travail ou à son extension maximum si celle-ci ne peut sortir de la pièce.
2. Mettre la scie sur « MARCHÉ » et l'abaisser vers la table.
3. POUSSER la scie dans la pièce à couper. Ne jamais couper en tirant, la lame pourrait monter sur la pièce de travail et provoquer un REBOND.

AVERTISSEMENT Les travaux à la machine tel que ponçage, sciage, meulage, perçage et autres travaux du bâtiment peuvent créer des poussières contenant des produits chimiques qui sont des causes reconnues de cancer, de malformation congénitale ou d'autres problèmes reproductifs. Ces produits chimiques sont, par exemple :

- Le plomb provenant des peintures à base de plomb,
- Les cristaux de silices provenant des briques et du ciment et d'autres produits de maçonnerie, et
- L'arsenic et le chrome provenant des bois traités chimiquement

Le niveau de risque dû à cette exposition varie avec la fréquence de ces types de travaux. Pour réduire l'exposition à ces produits chimiques, il faut travailler dans un lieu bien ventilé et porter un équipement de sécurité approprié tel que certains masques à poussière conçus spécialement pour filtrer les particules microscopiques.



ZONE DÉSIGNÉE DE DANGER. ÉVITER DE PLACER LES MAINS, LES DOIGTS OU LES BRAS DANS LA ZONE DÉSIGNÉE PAR CE SYMBOLE.



ZONE DÉSIGNÉE COMME POINT DE PINCEMENT – ZONE DE DANGER – ÉVITER DE PLACER LES MAINS, LES DOIGTS OU LES BRAS À CES ENDROITS. NE JAMAIS TENTER DE DÉPLACER LA SCIE OU DE LA SOULEVER PAR DE TELS POINTS.



ZONE DÉSIGNÉE COMME INAPPROPRIÉE POUR LE TRANSPORT - ZONE DE DANGER - NE JAMAIS SOULEVER OU TRANSPORTER LA SCIE PAR LA POIGNÉE DE L'INTERRUPTEUR PRINCIPAL.

Do Not Carry the Saw by this handle.
No lleve la sierra por este mango.
Ne transportez pas la scie par sa poignée.


« CONSERVEZ CES INSTRUCTIONS »

Sécurité



AVERTISSEMENT « LISEZ TOUTES LES INSTRUCTIONS » — L'utilisateur qui négligerait de suivre les CONSIGNES DE SÉCURITÉ précédées d'un POINT NOIR (●) CI-DESSOUS et de prendre d'autres précautions élémentaires risquerait de subir de graves blessures.

Double isolation

La double isolation  est utilisée dans les outils électriques pour éliminer le besoin de cordon d'alimentation avec prise de terre et de dispositif d'alimentation à prise de terre. Elle est homologuée par l'Underwriter's Laboratories, l'ACNOR et l'OSHA.

- L'entretien d'un outil à double isolation exige la connaissance du système et la compétence d'un technicien qualifié.
- EN CAS D'ENTRETIEN, N'UTILISEZ QUE DES PIÈCES DE RECHANGE IDENTIQUES.
- FICHES POLARISÉES. Si votre outil est équipé d'une fiche polarisée (une lame plus large que l'autre) elle ne s'enfiche que d'une manière dans une prise polarisée. Si la fiche n'entre pas à fond dans la prise, tournez-la d'un demi-tour. Si elle refuse encore d'entrer, demandez à un électricien qualifié d'installer une prise appropriée. Ne modifiez la fiche d'aucune façon.

Rallonges

- Remplacez immédiatement toute rallonge endommagée. L'utilisation de rallonges endommagées risque de provoquer un choc électrique, des brûlures ou l'électrocution.
- En cas de besoin d'une rallonge, utilisez un cordon de calibre satisfaisant pour éviter toute chute de tension, perte de courant ou surchauffe. Le tableau ci-contre indique le calibre des rallonges recommandées en fonction de leur longueur et de l'intensité indiquée sur la plaque du constructeur de l'outil. En cas de doute, optez pour le prochain calibre inférieur. Utilisez toujours des rallonges homologuées par l'U.L. et l'ACNOR.

DIMENSIONS DE RALLONGES RECOMMANDÉES

Intensité nominale de l'outil	OUTILS 120 VOLTS C.A. Longueur en pieds Calibre A.W.G.			
	25	50	100	150
3-6	18	16	16	14
6-8	18	16	14	12
8-10	18	16	14	12
10-12	16	16	14	12
12-16	14	12	S/O	S/O

REMARQUE : Plus le calibre est petit, plus le fil est gros.

« CONSERVEZ CES INSTRUCTIONS »

Table des matières

Sécurité	110-114	Préparation pour les opérations de la scie	136-139
Consignes générales de sécurité pour les		Positions du corps et des mains	136
outils d'établi	110-111	Support de l'ouvrage	137-138
Consignes de sécurité pour les scies à onglet	111-114	Opérations de la scie	140-158
Table des matières	115	Actionnement de l'interrupteur	140
Spécifications électriques	115	Utilisation de la détente d'onglet	141
Frein électrique	115	Neutralisation du système de détente d'onglet	141
Familiarisez-vous avec votre scie à onglet	116-117	Coupes de cisaillement	142
Assemblage	118-124	Coupes coulissantes	143
Déballage et vérification du contenu	118	Coupes d'onglet	144-146
Outils nécessaires à l'assemblage et à l'alignement	119	Coupes en biseau	147-150
Fixation des pièces détachées	120	Coupes composées	151
Retrait et installation des lames	121-122	Coupe de rainures	152
Assemblage du système de collecte de la sciure	123-124	Coupe de moulures de base	153
Réglages	125-133	Coupe de moulures en couronne	153
Utilisation du goujon de verrouillage		Moulure de couronnement à un angle par	
de l'ensemble de tête	125	rapport à la table et au guide	154
Utilisation du contrôleur du mouvement coulissant	125	Moulures de couronnement reposant à plat sur la table	155
Utilisation du levier de verrouillage du mécanisme	126	Guide auxiliaire pour moulure de couronnement	156-157
Réglage de la profondeur de coupe	127	Coupes spéciales	158
Système de détente de l'onglet – Procédure de réglage	128	Maintenance et lubrification	159-160
Butée de biseau à 0° – Procédure de réglage	129-130	Dépannage	161-163
Butée de biseau à 45° – Procédure de réglage	131-132	Guide de dépannage – Électrique	161
Réglage de la tension de verrouillage du biseau	133	Guide de dépannage – Généralités	162-163
Réglage du boulon de stabilisation avant	133	Accessoires	163
Transport et montage	134-135		
Applications de montage	135		

Spécifications électriques

- Branchez cette scie sur un circuit de dérivation de 120 V, 15 A avec disjoncteur ou fusible à action différée de 15 A. L'utilisation du mauvais type de fusible peut abîmer le moteur.
- Les fusibles peuvent sauter ou les disjoncteurs peuvent se déclencher souvent si le moteur est surchargé. Il peut y avoir surcharge si vous introduisez la lame dans l'ouvrage trop rapidement ou si vous mettez en marche et à l'arrêt trop souvent dans un période brève.
- La plupart des troubles de moteur sont attribuables à des connexions lâches ou incorrectes, à une surcharge, à une basse tension (telle que fil de petit calibre dans le circuit d'alimentation ou fil trop long de circuit d'alimentation). Vérifiez toujours les connexions, la charge et le circuit d'alimentation chaque fois que le moteur ne fonctionne pas bien.

Frein électrique

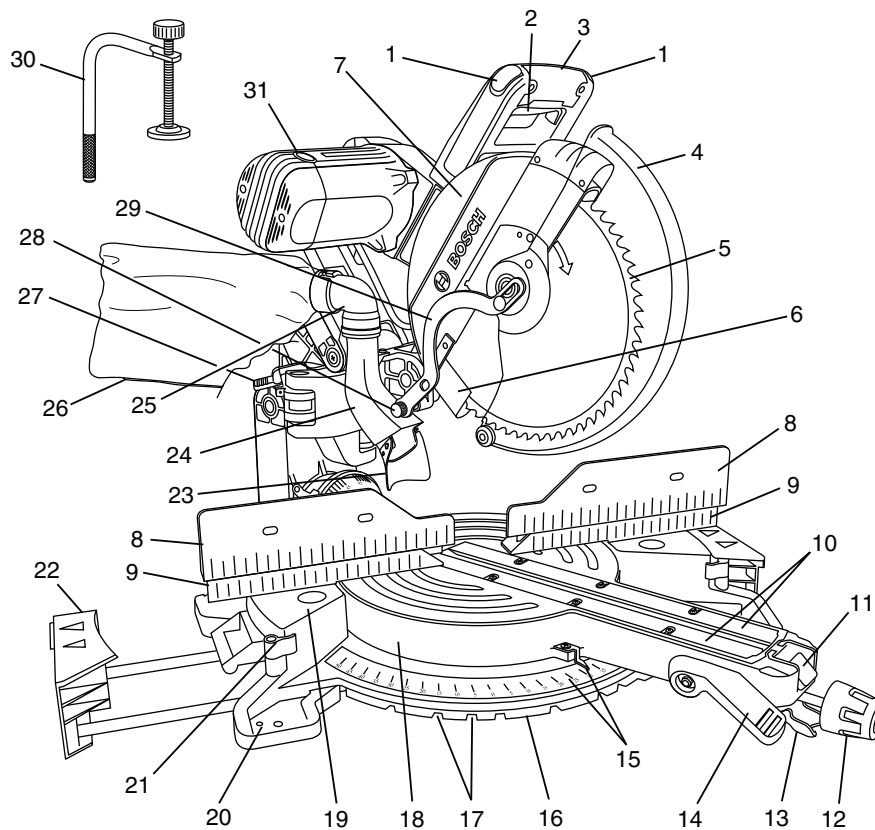
Votre scie est équipée d'un frein électrique automatique qui est conçu de manière à empêcher la lame de tourner environ cinq (5) secondes après que vous ayez relâché la gâchette de commande. Cette particularité est utile pour pratiquer certaines coupes dans le bois alors qu'une lame qui se déplace par inertie entraînerait une coupe large et imprécise.

⚠ AVERTISSEMENT Lorsqu'il y a panne de courant en raison d'un fusible grillé ou d'autres causes, le moteur ralentit progressivement et l'action de freinage est amorcée **UNIQUEMENT** par le relâchement de la gâchette de commande.

Le frein électrique de lame de votre scie a été conçu en vue du plus haut niveau de fiabilité, mais il se peut que le frein ne soit pas actionné sous l'effet de circonstances imprévues telles que la contamination sur le commutateur et les balais ou la défaillance des composants du moteur. Dans ce cas, mettez la scie en **MARCHE** et à l'**ARRÊT** quatre ou cinq fois en évitant tout contact entre la scie et le matériau. Si l'outil fonctionne mais le frein n'arrête pas uniformément la lame en environ cinq (5) secondes, N'utilisez **PAS** la scie et faites-la réparer immédiatement.

⚠ AVERTISSEMENT L'action de freinage de cette scie n'est pas destinée à servir de mesure de sécurité. N'oubliez pas de laisser la lame de scie s'arrêter complètement avant de la retirer du matériau. Comme toujours, le système de protecteurs constitue la meilleure façon d'éviter le contact accidentel avec une lame de scie qui tourne. Vous ne devez **JAMAIS** ouvrir en forçant ni empêcher l'action de fermeture du protecteur inférieur.

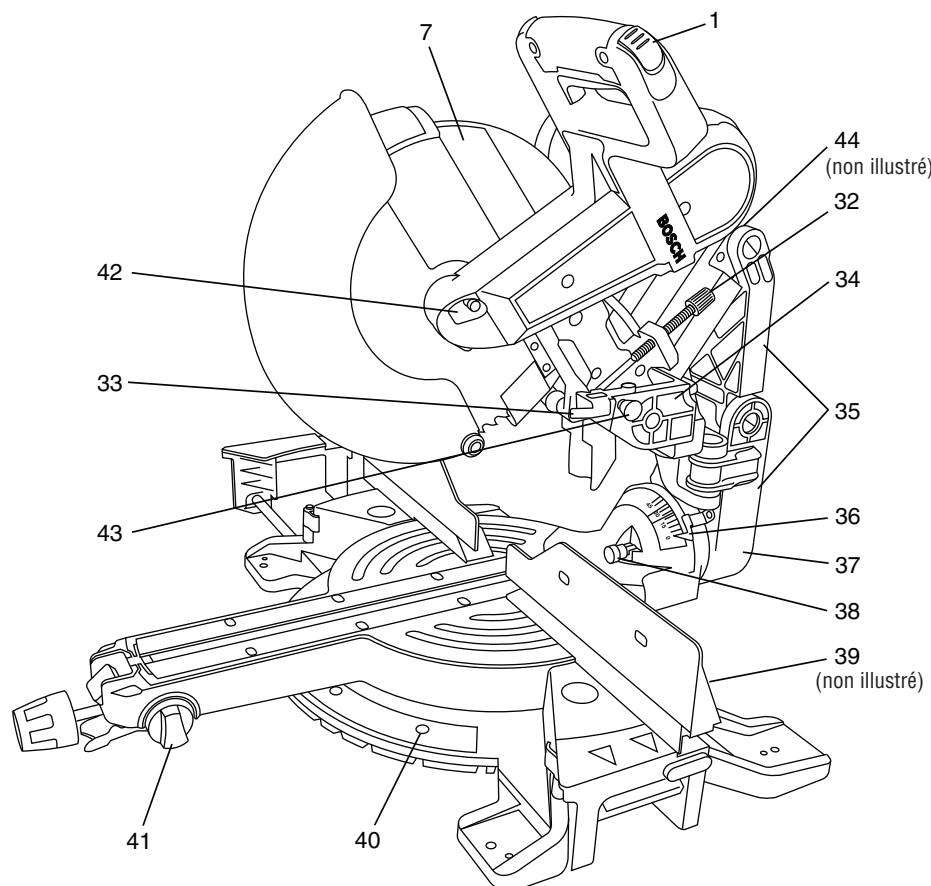
Familiarisez-vous avec votre scie à onglet



AVERTISSEMENT Pour éviter les blessures résultant d'une mise en marche accidentelle, débranchez la fiche de la prise de courant avant d'effectuer quelque réglage que ce soit.

- 1. Bouton de déblocage du verrouillage de l'interrupteur sur arrêt** – Il faut appuyer sur un de ces deux boutons avant de pouvoir appuyer sur l'interrupteur.
- 2. Interrupteur** – L'interrupteur utilisé avec le bouton de blocage à l'arrêt « Lock-OFF » met la scie sous tension.
- 3. Poignée principale** – Cette poignée comprend l'interrupteur. Abaissez-la pour faire descendre la lame et la faire pénétrer dans la pièce.
- 4. Protecteur inférieur de lame/rebord de protecteur inférieur** – Le protecteur inférieur de lame aide à protéger vos mains contre la lame en rotation. Il se rétracte au fur et à mesure que la lame est abaissée. Ce rebord peut être utilisé pour soulever le dispositif de protection inférieur au cas où celui-ci se coincerait sur un ouvrage.
- 5. Lame** – Utilisez seulement des lames de 12 po (308 mm) de diamètre avec un trou d'arbre de 1 po (25,4 mm) de diamètre.
- 6. Déflecteur de copeaux** – Empêche les débris coupés de l'ouvrage de pénétrer à l'intérieur du dispositif de protection supérieur.
- 7. Dispositif de protection supérieur** – Recouvre la partie supérieure de la lame.
- 8. Guide coulissant** – Supporte l'ouvrage. Le guide possède une échelle graduée incorporée pour faciliter les coupes à répétition. Le guide comporte également des trous qui servent à fixer un guide auxiliaire, si désiré.
- 9. Guide fixe** – Le guide fixe est assujéti à la base par des boulons et il assure le soutien de l'ouvrage lorsque le guide coulissant est retiré.
- 10. Inserts d'encoche** – Les inserts d'encoche peuvent être ajustés à différentes largeurs de lame afin de réduire au minimum les risques d'arrachement de l'ouvrage.
- 11. Court-circuitage du cran d'arrêt d'onglet** – Permet d'inhiber le cran d'arrêt et d'ainsi effectuer des micro-réglages à tout angle d'onglet.
- 12. Bouton de blocage d'onglet** – Le bouton de blocage d'onglet bloque la table de la scie à onglet à tout angle d'onglet désiré.
- 13. Levier de cran d'onglet** – Ce levier efface le cran, permettant ainsi de libérer la table.
- 14. Levier de verrouillage du biseau** – Le levier de verrouillage du biseau, qui est situé à l'avant, verrouille l'ensemble de tête à l'angle de biseau désiré.
- 15. Échelle d'onglet/Pointeur d'onglet** – Le pointeur tourne avec la table et la lame. L'aiguille est dirigée vers l'échelle d'onglet pour indiquer le paramètre d'angle avant qu'une coupe ne soit effectuée.
- 16. Plaque de détente d'onglet** – La position de la plaque peut être ajustée pour fixer le degré d'exactitude de ses emplacements de détente.
- 17. Crans d'onglet** – Il y a dix (10) encoches pour crans d'onglet permettant de se régler rapidement et précisément aux angles d'onglet les plus courants.
- 18. Table** – Repose dans la base, supporte l'ouvrage, tourne pour coupes à onglet désirées et tourne la tête. La partie avant prolongée de la table est appelée le bras d'onglet.
- 19. Base** – Assure une surface de travail pour supporter l'ouvrage.
- 20. Coussinets de montage de l'outil** – Les quatre coins de la scie comportent des surfaces permettant de cramponner, boulonner ou clouer la scie à une surface de travail plate.

Familiarisez-vous avec votre scie à onglet



REMARQUE : Pour voir les articles 21 à 31, voir page 116.

21. **Leviers de fixation de l'extension de la base** – Verrouille les extensions de la base aux positions désirées.
22. **Extensions coulissantes de la base** – Fournit un soutien supplémentaire pour l'ouvrage. Utile pour couper des matériaux très longs.
23. **Défecteur en cuivre** – S'attache au bas de la chute. Dévie la sciure vers la chute.
24. **Chute à sciure** – Dirige la sciure vers le haut et à travers le coude jusqu'au sac de collecte de la sciure.
25. **Coude** – Connecte la chute à sciure au sac de collecte de la sciure. Sa position peut être modifiée en le faisant tourner pour diriger la sciure.
26. **Sac de collecte de la sciure** – A une fermeture à glissière au fond. Le sac peut être séparé du coude pour qu'il puisse être vidé.
27. **Levier de verrouillage du mécanisme** – Maintient la scie en position arrière maximum pour les coupes de cisaillement ou complètement allongée pour le transport.
28. **Bouton de contrôle de la biellette** – Connecte la biellette du mécanisme de protection inférieur au goujon pivotant.
29. **Biellette du mécanisme de protection inférieur** – Permet un mouvement régulier du mécanisme de protection inférieur.
30. **Bride de fixation** – Utilisez-la pour assujettir l'ouvrage sur la table et la base – Insérez dans l'endroit prévu pour le goujon de fixation (article 147).
31. **Bouchon porte-balais** – Maintient les balais du moteur en place. Fournit un point d'accès pour inspecter les balais et les remplacer.
32. **Vis de butée pour la profondeur de coupe** – Tournez le bout du bouton afin d'ajuster la profondeur de course de la lame pour couper des rainures.
33. **Goujon pivotant** – Assure le soutien de la tête de scie, du système de collecte de la sciure et d'autres composants fonctionnels.
35. **Mécanisme de coulissement axial** – Permet à la scie de glisser en douceur dans les deux sens. Il peut être verrouillé en position de retrait maximum ou d'allongement maximum.
36. **Échelle de biseau et pointeurs** – L'échelle de biseau est grande et orientée à un angle ; ceci permet à l'utilisateur de lire facilement les angles de biseau. Le pointeur indique quel est l'angle courant.
37. **Goujon de biseau** – Fournit un soutien rotatif pour tous les composants la scie à onglet au-dessus de la table.
38. **Broche de détente du biseau (réglage pour moulure de couronnement)** – Quand elle est engagée, elle verrouille l'ensemble de tête à l'angle de biseau de 33,9° vers la gauche ou vers la droite.
39. **Emplacements des goujons de fixation** – Deux orifices pour goujons verticaux dans la base – fournis pour insérer la bride de fixation (article 30).
40. **Vis de la plaque de détente d'onglet** – Quatre vis accessibles par les trous pratiqués dans l'échelle d'onglet. Ces vis sont desserrées pour permettre le réglage de la position de la plaque de détente.
41. **Bouton du sélecteur de plage d'angles de biseau** – Permet la sélection de trois plages d'angles de biseau : « 0-45° à gauche », « 0-45° à droite » ou « Angle de biseau max. à 47° ».
42. **Verrouillage de l'arbre** – Appuyez sur le bouton de verrouillage de l'arbre pour empêcher la lame de tourner lorsque vous desserrez ou serrez le bouton de fixation de l'arbre pendant le retrait ou l'installation de la lame.
43. **Goujon de verrouillage de l'ensemble de tête** – Elle sert à verrouiller l'ensemble de tête en position abaissée pour le transport.
44. **Contrôleur du mouvement de coulissement** – Il peut s'ajuster pour contrôler le mouvement du mécanisme de coulissement.

Assemblage

Déballage et vérification du contenu

Déballage de la scie à onglet – Pour faire sortir cet outil de son carton d'emballage, penchez-vous pour atteindre les emplacements des deux poignées de transport latérales et soulevez lentement jusqu'à ce que l'outil soit sorti complètement de son carton d'emballage.

Inspection du contenu du paquet – Ouvrez le dessus du paquet et localisez toutes les pièces détachées jointes. Consultez le schéma ci-dessous.

⚠ AVERTISSEMENT Pour ne pas risquer de vous pincer, ce qui pourrait causer une blessure grave, il ne faut jamais soulever ou déplacer cette scie en saisissant un composant quelconque du système de soutien du mécanisme de coupe



Ce symbole est placé à divers endroits sur l'outil pour avertir l'utilisateur des points de pincement.

Certains composants de faibles dimensions tels que le levier de verrouillage du biseau et le bouton de verrouillage de l'onglet doivent être attachés à l'outil avant que celui-ci ne puisse être utilisé – Voir la rubrique « Attachement des pièces détachées » à la page 120.

⚠ AVERTISSEMENT Pour ne pas risquer de blessures, débranchez toujours la fiche électrique de la prise de courant avant d'effectuer toute opération d'assemblage, de réglage ou de réparation.

Pièces détachées – 1 exemple de chaque pièce illustré



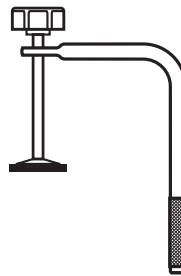
Cochez chaque pièce localisée



Rondelle plate de 10 mm



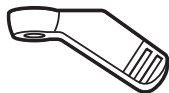
Bride de fixation de l'ouvrage



Mode d'emploi



Levier de verrouillage du biseau



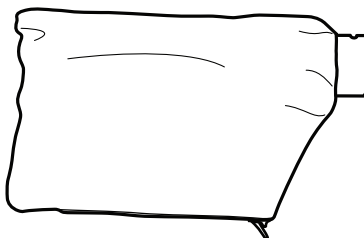
Rondelle plate de 6 mm



Contre-écrou de 6 mm



Sac de collecte de la sciure



Outil pour douilles de 10 mm



Clé hexagonale de 6/4 mm

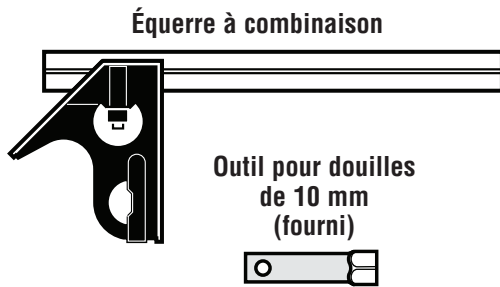


Bouton de verrouillage d'onglet



Assemblage

Outils nécessaires à l'assemblage et à l'alignement



Tournevis à pointe cruciforme N° 2



Clé hexagonale de 6/4 mm (fourni)

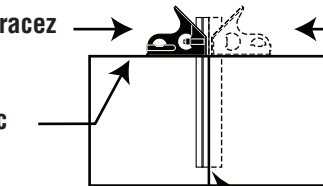


REMARQUE : une clé hexagonale de 6 mm et une clé hexagonale de 4 mm peuvent être utilisées à la place de la clé hexagonale de 6/4 mm fournie.

L'équerre combinée doit être droite et stable – Inspection de l'équerre combinée

1. Positionnez l'équerre et tracez une ligne droite

Planche de 3/4 po avec bord supérieur droit



2. Renversez l'équerre (montrée en traits pointillés)

3. Comparez le bord de l'équerre renversée avec la ligne tracée. Il ne doit y avoir ni écart, ni chevauchement à l'extrémité inférieure.

pas d'écart ou de chevauchement

Assemblage

Fixation des pièces détachées

AVERTISSEMENT Pour ne pas risquer de vous blesser, débranchez la fiche électrique de la prise de courant avant d'effectuer toute opération d'assemblage, de réglage ou de réparation.

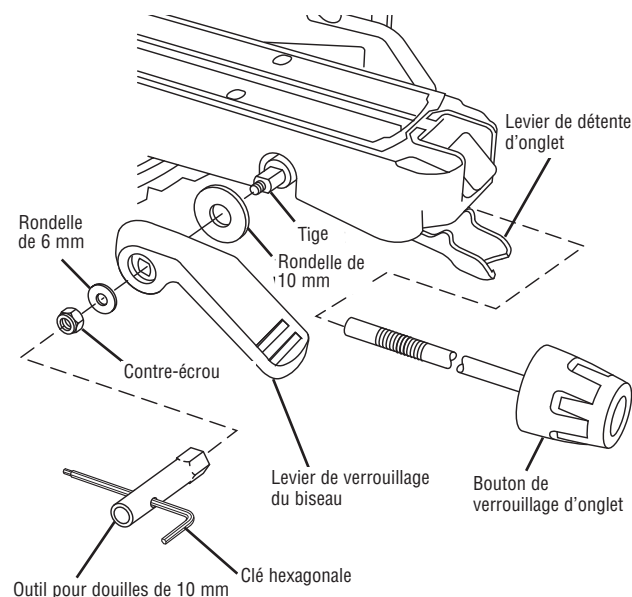


Figure 1

Fixation du levier de verrouillage du biseau – Cette scie à onglet est conditionnée avec la tête de la scie verrouillée à un angle de biseau de 0°. Le levier de verrouillage du biseau doit être attaché avant que l'outil ne soit utilisé.

1. Faites glisser la rondelle plate de 10 mm autour de la tige (zone avec méplats).
2. Faites glisser le levier de verrouillage du biseau par-dessus la tige en alignant les méplats sur la tige avec les méplats du trou de montage du levier. Le levier doit être en position horizontale, avec la poignée vers l'avant (voir Figure 1).
3. Faites glisser la rondelle plate de 6 mm autour de la tige (zone avec filets de vis) et contre la paroi encastrée du levier.
4. Serrez à la main le contre-écrou de 10 mm autour de la tige. Utilisez l'outil pour douilles de 10 mm pour serrer le contre-écrou. **REMARQUE** : la clé hexagonale de 6/4 mm est placée à travers les trous dans l'outil pour douilles afin de faciliter le serrage.
5. Soulevez le levier de verrouillage du biseau et poussez-le à nouveau vers l'arrière pour vous assurer que le levier est solidement en place.

Fixation du bouton de verrouillage d'onglet – Localisez le bouton de verrouillage d'onglet parmi les pièces détachées.

1. Regardez au-dessous du bras avant de la plaque tournante, au-dessus du levier de verrouillage, et localisez le trou de 10 mm (voir Figure 1).
2. Insérez la tige longue du bouton de verrouillage d'onglet à travers ce trou jusqu'à ce qu'elle ne puisse plus avancer.
3. Tournez le bouton dans le sens des aiguilles d'une montre (environ 10 tours complets) jusqu'à ce qu'il soit serré au maximum, ou « verrouillé ».
4. Desserrez le bouton d'un demi-tour pour le déverrouiller. La plaque tournante peut maintenant tourner sur la base.

Utilisation du bouton de verrouillage d'onglet –

1. Desserrez le bouton de verrouillage d'onglet.
2. Tout en tenant le bouton dans la paume de votre main, étendez votre index ou votre majeur et tirez sur le levier de détente. Tout en saisissant le bouton, faites tourner la plaque tournante vers la gauche ou vers la droite jusqu'à l'angle d'onglet requis, puis relâchez le levier.
3. Serrez le bouton une fois que vous aurez atteint l'angle correct.

REMARQUE : il est recommandé de serrer le bouton de verrouillage d'onglet avant toute coupe. Il est nécessaire de serrer le bouton avant de couper à n'importe quel angle entre les engagements de détente ou quand le système de neutralisation de la détente d'onglet est activé.

Rangement de la clé hexagonale de 6/4 mm – Il existe une aire de rangement sur la scie pour ranger la clé hexagonale de 6/4 mm. Insérez le pied court de la clé hexagonale à travers l'œillet en caoutchouc comme illustré. Placez le pied long dans le support de l'outil et appuyez pour l'enfoncer dans la pince de retenue (voir Figure 2).

REMARQUE : la clé hexagonale de 6/4 mm est nécessaire pour changer la lame et effectuer les réglages de l'outil. Si vous avez perdu cette clé, vous pouvez utiliser deux clés différentes à sa place : une clé hexagonale de 4 mm et une clé hexagonale de 6 mm.

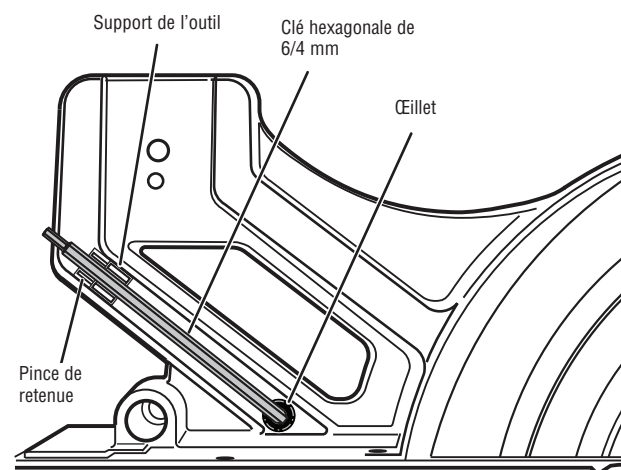


Figure 2. Rangement de la clé hexagonale

Assemblage

Retrait et installation des lames

AVERTISSEMENT Pour ne pas risquer de blessures, débranchez toujours la fiche électrique de la prise de courant avant d'effectuer toute opération d'assemblage, de réglage ou de réparation.

Assemblage du dispositif de protection mobile

1. Positionnez la scie dans la position du haut (UP) et à un angle de biseau de 0°. Si elle est dans la position du bas (DOWN), appuyez légèrement sur l'ensemble de tête de la scie et retirez le goujon de verrouillage de l'ensemble de tête (article 43, page 117) ; puis laissez la tête de la scie remonter (voir Figure 3) ;
2. Dévissez le bouton de contrôle de la biellette (article 28, page 117) à la main du goujon pivotant et laissez l'ensemble de biellette en suspension. Le bouton de contrôle de la biellette restera attaché à la biellette.
3. Desserrez la vis de fixation de la plaque du cache avant de deux tours en utilisant la clé hexagonale de 6/4 mm. Ne retirez pas complètement la vis. Une clé hexagonale de 4 mm peut être utilisée à la place.
4. Desserrez la vis de fixation de la plaque du cache arrière de six tours complets en utilisant la clé hexagonale de 6/4 mm. Ne retirez pas complètement la vis.
5. Faites glisser la plaque du cache vers le bas et détachez-la de la vis arrière. Faites tourner la plaque du cache et baissez le dispositif de protection en tournant dans le sens contraire des aiguilles d'une montre autour de la vis avant. Tout en tenant le dispositif de protection inférieur en position élevée contre le dispositif de protection supérieur, déplacez la biellette de façon que son trou rond puisse aller au-dessus de la vis arrière – puis relâchez, et l'ensemble de dispositif de protection inférieur sera maintenu à bonne distance (voir Figure 4).

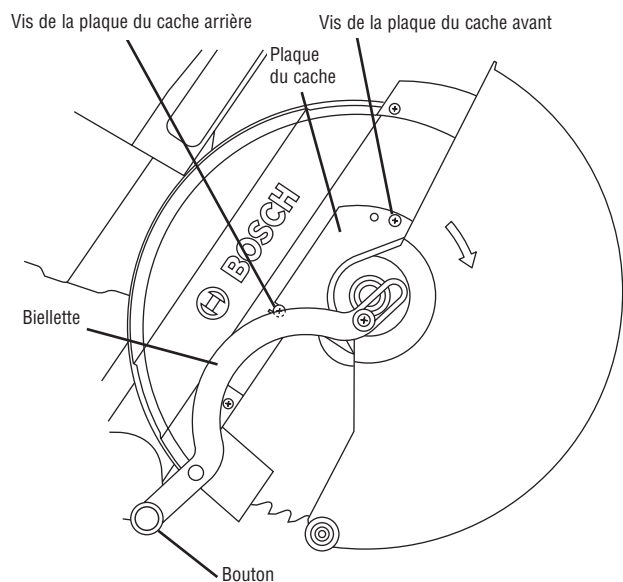


Figure 3

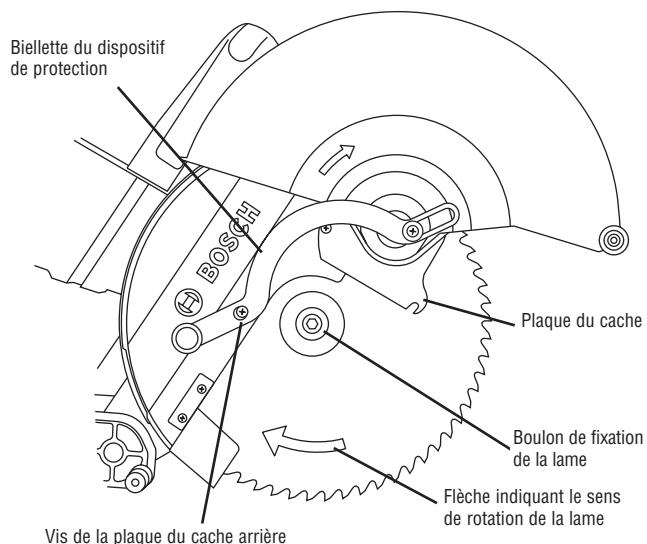


Figure 4

Retrait de la lame

1. Appuyez sur le verrou de l'arbre (le bouton rouge du côté opposé du dispositif de protection supérieur – article 42, page 117). Faites tourner lentement la lame tout en appuyant sur le verrou de l'arbre jusqu'à ce qu'il repose complètement dans sa position verrouillée.
2. En utilisant la clé hexagonale de 6/4 mm, desserrez le boulon de fixation de la lame en le faisant tourner fermement **dans le sens des aiguilles d'une montre**. REMARQUE : ce boulon a son filet vers la gauche.
3. Retirez le boulon de fixation de la lame et la rondelle extérieure. Saisissez la lame avec précaution. Faites glisser la lame dans le sens opposé à la rondelle intérieure et faites-la sortir de la tige de l'arbre, puis abaissez-la et positionnez-la à distance de la scie. Laissez la rondelle intérieure sur la tige de l'arbre (voir Figure 5).

Assemblage

Retrait et installation des lames

AVERTISSEMENT Pour ne pas risquer de blessures, débranchez toujours la fiche électrique de la prise de courant avant d'effectuer toute opération d'assemblage, de réglage ou de réparation.

Installation de la lame de 12 po

AVERTISSEMENT Pour ne pas risquer de blessures, n'utilisez pas de lame plus grande ou plus petite que 12 po de diamètre avec un arbre de 1 po. L'épaisseur maximum de la plaque de la lame est de 0,100 po.

AVERTISSEMENT Pour réduire le risque de blessure, utiliser une lame homologuée pour 3800 coups/min (tr-mn) ou plus.

1. Suivez toutes les étapes des instructions de déplacement de l'ensemble de dispositif de protection et de retrait de la lame.
2. Manipulez la lame neuve avec précaution. Assurez-vous que la flèche indiquant le sens de rotation sur la lame correspond à la flèche indiquant le sens de rotation sur le dispositif de protection inférieur. Faites glisser la lame vers le haut et entre les côtés du déflecteur de copeaux et au-dessus de la tige de l'arbre. Déplacez la lame de façon que le trou de son arbre soit autour de l'anneau de soutien de la rondelle intérieure (voir Figures 4 et 5).
3. Placez la rondelle extérieure au-dessus de la tige de l'arbre, et serrez à la main le boulon de fixation de la lame (dans le sens contraire des aiguilles d'une montre). Assurez-vous que la lame repose sur l'anneau de soutien de la rondelle intérieure.
4. Faites tourner la lame lentement tout en appuyant sur le verrou de l'arbre jusqu'à ce qu'elle repose complètement en position verrouillée.
5. En utilisant la clé hexagonale de 6/4 mm, serrez fermement le boulon de fixation de la lame **dans le sens contraire des aiguilles d'une montre**. REMARQUE : ce boulon a son filet vers la gauche. Ne serrez pas excessivement. Une clé hexagonale de 6 mm peut être utilisée à la place.
6. Détachez la biellette du dispositif de protection inférieur de la vis de fixation de la plaque du cache arrière. Faites tourner le dispositif de protection inférieur et la plaque du cache autour de la vis de fixation de la plaque du cache avant jusqu'à ce que la fente de la plaque du cache glisse en dessous de la tête de la vis de fixation de la plaque du cache arrière. Serrez à fond les deux vis de fixation de la plaque du cache arrière en utilisant la clé hexagonale de 6/4 mm.
7. Remettez la biellette du dispositif de protection inférieur dans sa position d'origine, puis serrez fermement à la main le bouton de contrôle de la biellette sur le goujon pivotant. Il peut être nécessaire de rétracter le dispositif de protection inférieur tout en serrant le bouton de contrôle de la biellette.
8. Assurez-vous que le verrou de l'arbre est ouvert afin que la lame puisse tourner librement.
9. Remettez la clé hexagonale de 6/4 mm dans sa zone de rangement.

AVERTISSEMENT Serrez les vis de fixation de la plaque du cache. Des vis de fixation de la plaque du cache mal serrées peuvent affecter la position et la fonction du dispositif de protection inférieur de la lame. N'utilisez jamais la scie sans que la plaque du cache soit solidement en place. Le dispositif de protection inférieur ne fonctionnerait pas correctement.

AVERTISSEMENT Après avoir installé une nouvelle lame, assurez-vous que la lame ne fait pas obstacle au placement de la plaque amovible à des angles de biseau de 0° et de 45°. Abaissez la lame dans la fente prévue à cet effet et inspectez pour déterminer s'il y a des points de contact avec la base ou la structure de la plaque tournante. Si la lame entre en contact où que ce soit avec la base ou la plaque tournante, contactez le service de soutien à la clientèle agréé.

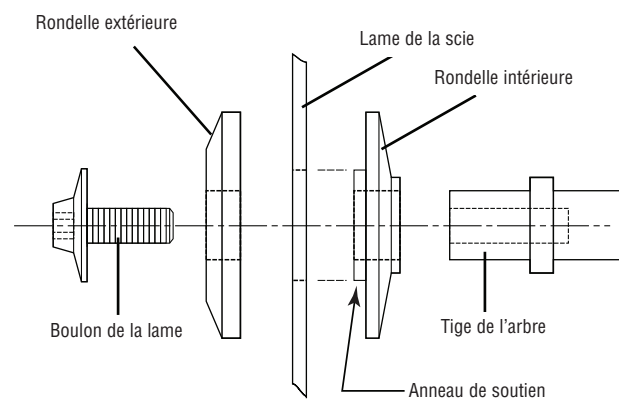


Figure 5. Quincaillerie de la lame

Assemblage

Assemblage du système de collecte de la sciure

⚠ AVERTISSEMENT Pour ne pas risquer de blessures, débranchez toujours la fiche électrique de la prise de courant avant d'effectuer toute opération d'assemblage, de réglage ou de réparation.

Le système de collecte de la sciure utilisé sur cet outil est unique en son genre parce qu'il n'est pas attaché au dispositif de protection supérieur. Ce placement assure une excellente collecte de la sciure dans la majorité des coupes. N'oubliez jamais de débrancher la scie lorsque vous procédez à un ajustement ou au retrait de quelconques composants du système de collecte de la sciure.

Coude

Le coude est attaché à la partie supérieure de la chute à sciure. REMARQUE : il est recommandé que le coude soit toujours en place avant que l'outil ne soit utilisé – il est nécessaire pour diriger la sciure et les débris dans le sens opposé à celui de l'opérateur. Il est possible de faire tourner le coude pour changer son orientation sans le détacher. Le coude soutient le sac à sciure, ou il peut être connecté à un aspirateur.

Enlèvement du coude – Pour le nettoyage, il est possible de retirer le coude en tirant dessus et en le faisant tourner jusqu'à ce qu'il se sépare de la chute à sciure, Rattachez le coude en appuyant dessus et en le faisant tourner jusqu'à ce qu'il soit à sa place en dessus de l'anneau de retenue moulé de la chute. Rattachez-le toujours avant de vous servir de la scie.

Attachement et réglage de la position du sac à sciure

Attachement (et enlèvement) du sac à sciure – le coude est pourvu de goujons au-dessus et au-dessous de l'orifice de sortie, qui permettront d'engager l'extrémité d'accouplement de l'ensemble de sac de poussière. Pour attacher le sac à sciure, alignez les fentes du dispositif d'accouplement avec les goujons du coude, puis appuyez dessus et faites-le tourner dans le sens des aiguilles d'une montre. Pour retirer le sac à sciure, faites tourner le dispositif d'accouplement dans le sens contraire des aiguilles d'une montre, puis tirez dessus pour le détacher – laissez toujours le coude sur la chute à sciure (voir Figure 6).

Réglage du sac à sciure – Après avoir attaché le sac, il est recommandé de faire une « coupe fictive » avant de couper un quelconque matériau avec la scie – cela signifie : débranchez l'outil, réglez-le en fonction de la coupe prévue et pratiquez cette coupe. Pour certaines coupes en biseau, il faudra peut-être déplacer le guide coulissant ou même le retirer complètement pour empêcher qu'il ne soit coupé lui-même ou qu'il soit mis en contact avec le sac à sciure. Il faudra peut-être aussi changer la position du sac en le faisant tourner s'il entre en contact avec l'ouvrage pendant une coupe coulissante.

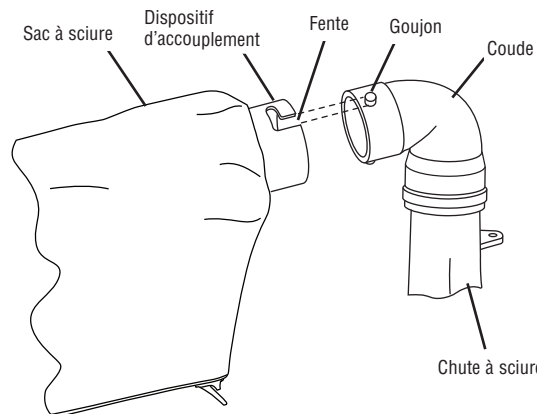


Figure 6

Utilisation et nettoyage du sac à sciure

Utilisation du sac à sciure – Attachez le sac propre au coude. Ajustez le coude et le sac à sciure si besoin est de façon qu'ils ne fassent pas obstacle au fonctionnement de l'outil pendant l'opération de coupe prévue.

Nettoyage du sac à sciure – Lorsque le sac à sciure sera plein aux 2/3 ou aux 3/4, détachez-le de la scie. Placez le sac dans un récipient approprié et ouvrez la fermeture à glissière située au fond du sac. Tenez le sac par son extrémité d'accouplement et secouez-le vigoureusement jusqu'à ce que toute la sciure et tous les débris en soient tombés. Fermez ensuite la fermeture à glissière et rattachiez le sac. REMARQUE : nettoyez le sac à la fin de l'opération de coupe et avant de transporter la scie ou de la ranger (voir Figure 7).

⚠ AVERTISSEMENT Faites extrêmement attention lorsque vous jetez la sciure. Certains matériaux en forme de particules fines peuvent être explosifs. Ne jetez pas de sciure de bois dans un feu. Une combustion spontanée peut se produire au bout d'un certain temps en conséquence du mélange d'huile ou d'eau avec des particules de sciure de bois.

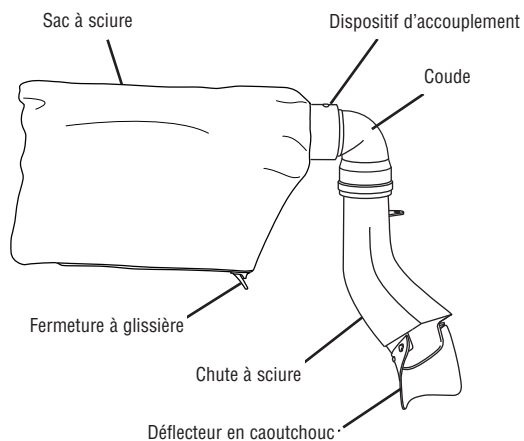


Figure 7

Assemblage

Assemblage du système de collecte de la sciure

⚠ AVERTISSEMENT Pour ne pas risquer de blessures, débranchez toujours la fiche électrique de la prise de courant avant d'effectuer toute opération d'assemblage, de réglage ou de réparation.

Raccordement d'un aspirateur

Le coude comporte un orifice de sortie qui est compatible avec un raccord d'aspirateur standard de 35 mm de diamètre ou avec un tuyau de 1 1/4 po de diamètre. Le raccord de 35 mm de diamètre est la taille standard des raccords utilisés avec les aspirateurs Bosch Airsweep™ modèles 3931 et 3931A. Utilisez un adaptateur pour les tailles de tuyaux d'aspirateurs plus grandes.

Connexion avec l'aspirateur – Insérez le raccord ou le tuyau de l'aspirateur dans l'orifice de sortie du coude aussi profondément que possible. Regardez pour vous assurer que le tuyau de l'aspirateur n'est pas dans la trajectoire de coupe et ne fera pas obstacle au mouvement de l'outil avant de brancher la scie dans la prise de courant.

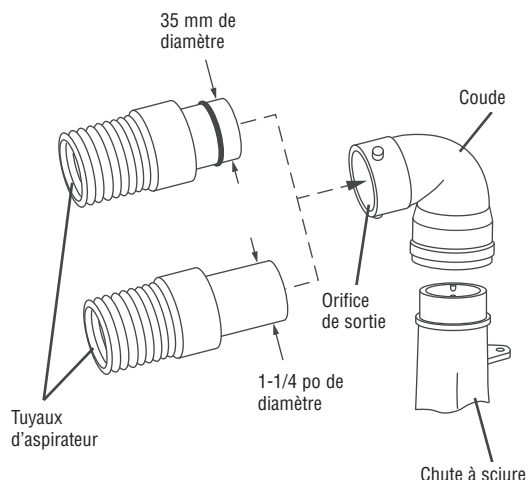


Figure 8. Raccordement d'un aspirateur

Repositionnement ou retrait du déflecteur en caoutchouc

Le déflecteur en caoutchouc prolonge la portée du système de collecte de la sciure et des débris, et il doit être laissé sur l'outil pour assurer le maximum d'efficacité en matière de collecte de la sciure. Lors de coupes coulissantes de matériaux extrêmement hauts (plus de 2-13/16 po de haut), le déflecteur en caoutchouc entre en contact avec ces matériaux et se comprime. Il entre également en contact avec eux et se comprime lorsque la scie est rétractée avant la coupe. Il reprend sa forme normale après la coupe.

Repositionnement du déflecteur – Si l'opérateur désire éviter que le déflecteur en caoutchouc n'entre en contact avec le matériau à couper, il est possible de replier temporairement le déflecteur en dessus de l'arrière de la chute à sciure. Si l'opérateur veut qu'il n'y ait jamais de contact entre le déflecteur et le matériau à couper, il peut retirer le déflecteur de façon permanente.

Retrait du déflecteur – Tirez sur l'une des languettes du déflecteur vers le devant puis latéralement jusqu'à ce qu'elle ressorte de l'un des crochets latéraux de la chute à sciure (voir Figure 9). Décrochez le côté opposé. Puis décrochez le déflecteur du goujon arrière de la chute en tirant dessus et en l'étirant jusqu'à ce qu'il s'en sépare. REMARQUE : le retrait du déflecteur réduit la capacité de collecte de la sciure.

Attachement du déflecteur – Commencez par étirer le déflecteur et l'accrocher sur le goujon arrière, puis accrochez-le sur chaque crochet latéral (voir Figure 10).

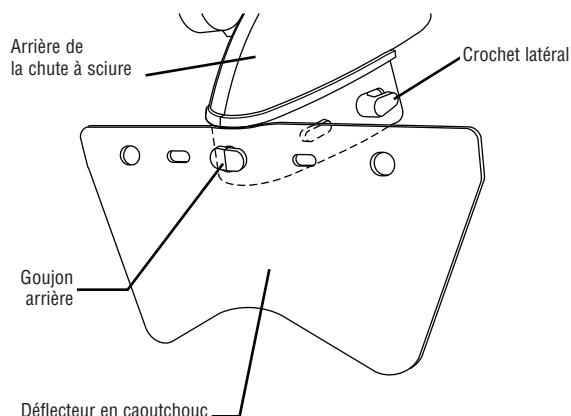


Figure 9.

Attachement du déflecteur en caoutchouc sur le goujon arrière

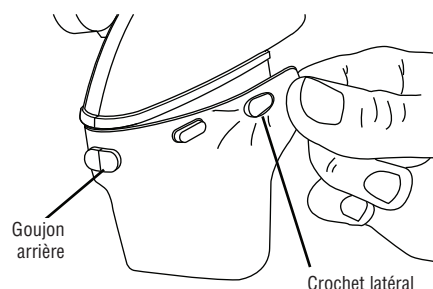


Figure 10.

Attachement du déflecteur en caoutchouc sur les crochets latéraux

Réglages

Utilisation du goujon de verrouillage de l'ensemble de tête

⚠ AVERTISSEMENT Pour ne pas risquer de blessures, débranchez toujours la fiche électrique de la prise de courant avant d'effectuer toute opération d'assemblage, de réglage ou de réparation.

Goujon de verrouillage de l'ensemble de tête

Le goujon de verrouillage de l'ensemble de tête (article 43 – page 117) est situé du côté droit du goujon pivotant (article 34 – page 117). Il sert à maintenir l'ensemble de tête de scie dans la position abaissée (DOWN). Cette position empêche le tête de rebondir pendant le transport. Ceci rend également la scie plus compacte, ce qui facilite son levage et son rangement. Cette position est également nécessaire pour certaines procédures d'étalonnage.

Pour engager le goujon de verrouillage de l'ensemble de tête

1. Vérifiez que la plaque de butée pour la profondeur de coupe (article 33 – page 117) est désengagée, ou appuyée dans la position de gauche.
2. Saisissez la poignée principale de la scie (article 3 – page 116) et appuyez sur l'ensemble de tête.
3. Tout en appuyant sur la tête de la scie et en la maintenant enfoncée, appuyez sur le goujon de verrouillage de l'ensemble de tête. Relâchez l'ensemble de tête. La tête est maintenant verrouillée en position abaissée (DOWN) (voir Figure 11).

Pour désengager le goujon de verrouillage de l'ensemble de tête

1. Saisissez la poignée principale et appuyez sur l'ensemble de tête.
2. Tout en appuyant sur la tête de la scie et en la maintenant enfoncée, tirez sur le goujon de verrouillage de l'ensemble de tête. Relâchez le goujon de verrouillage, mais continuez à tenir la poignée principale. Laissez la tête de scie à ressort remonter lentement jusqu'au bout de sa course, puis relâchez la poignée.

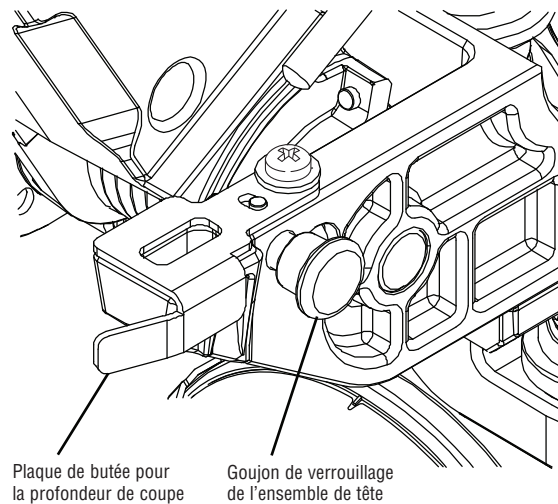


Figure 11

Utilisation du contrôleur du mouvement coulissant

Pour ajuster le contrôleur du mouvement coulissant

Le contrôleur du mouvement coulissant est attaché au joint supérieur du mécanisme coulissant ; il est conçu pour contrôler la régularité du mouvement coulissant de la scie. Le contrôleur n'est pas ajusté en usine lors de son assemblage ; par conséquent, le mouvement est très régulier. Pour ajuster la régularité du mouvement coulissant, serrez ou desserrez légèrement les deux vis en haut de l'instrument en utilisant la clé hexagonale de 6/4 mm ou une clé hexagonale de 4 mm (voir Figure 12).

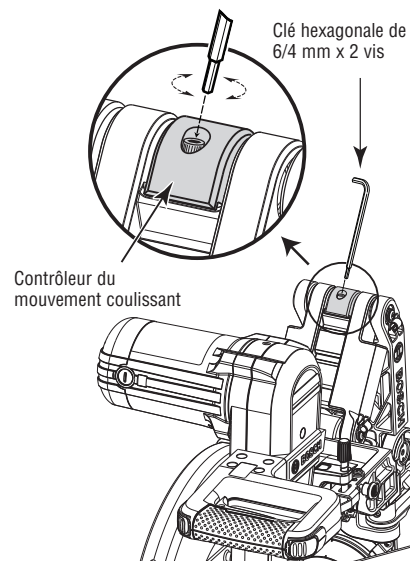


Figure 12

Réglages

Utilisation du levier de verrouillage du mécanisme

⚠ AVERTISSEMENT Pour ne pas risquer de blessures, débranchez toujours la fiche électrique de la prise de courant avant d'effectuer toute opération d'assemblage, de réglage ou de réparation.

Levier de verrouillage du mécanisme

Le levier de verrouillage (article 27 – page 117) est situé sur le côté arrière gauche du mécanisme.

Quand il est engagé, il verrouille le système (article 35 – page 117) soit dans la position totalement avancée, soit dans la position totalement reculée, et il empêche tout mouvement pendant le transport de la scie. Quand elle est dans sa position totalement reculée, la scie est plus compacte, ce qui facilite son levage et son rangement. La position totalement reculée est souvent utilisée pour effectuer des coupes de cisaillement.

Pour engager le levier de verrouillage

Avec la scie dans la position totalement reculée –

1. Saisissez la poignée principale de la scie (article 3 – page 116) et poussez (en le faisant glisser) l'ensemble de tête aussi loin que cela sera possible. Les logements du haut seront en position verticale et fermée.
2. Soulevez la languette sur le levier de verrouillage pour engager son coin dans la zone commune entre les deux logements du bas. Relâchez la languette du levier de verrouillage et la poignée principale. L'ensemble de tête est alors verrouillé en position totalement reculée.

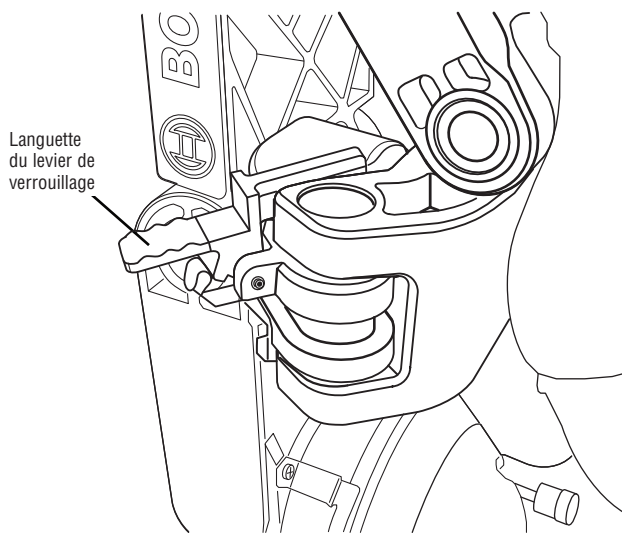


Figure 13.
Pour engager dans la position reculée

Avec la scie dans la position totalement avancée –

1. Saisissez la poignée principale de la scie (article 3 – page 116) et tirez (en le faisant glisser) l'ensemble de tête aussi loin vers vous que cela sera possible. Le mécanisme est maintenant complètement étendu.
2. Soulevez la languette sur le levier de verrouillage pour engager son coin dans la zone commune entre les deux logements du bas. Relâchez la languette du levier de verrouillage et la poignée principale. L'ensemble de tête est alors verrouillé en position totalement avancée.

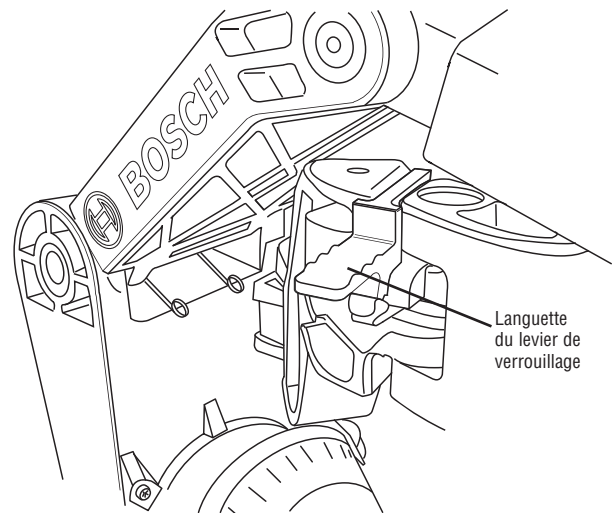


Figure 14

Pour relâcher le levier de verrouillage

Depuis la position reculée ou avancée –

1. Saisissez la languette sur le levier de verrouillage et appuyez jusqu'à ce que son coin sorte de la zone comprise entre les deux logements du bas. Relâchez votre prise ; le mécanisme est maintenant libre de glisser vers l'avant comme vers l'arrière.

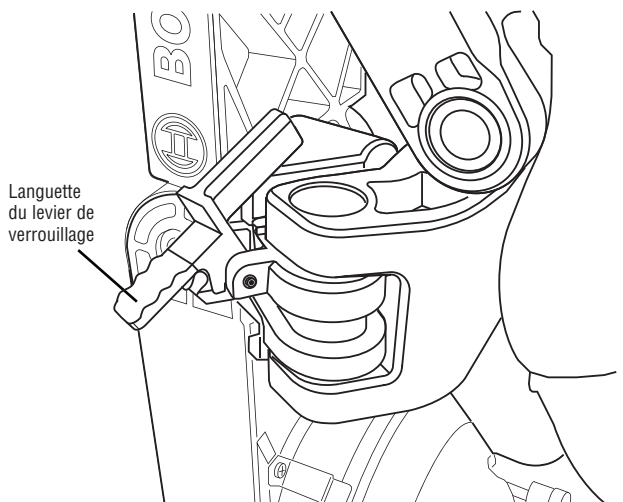


Figure 15.
Pour relâcher dans la position avancée ou reculée

Réglages

Réglage de la profondeur de coupe

AVERTISSEMENT Pour ne pas risquer de blessures, débranchez toujours la fiche électrique de la prise de courant avant d'effectuer toute opération d'assemblage, de réglage ou de réparation.

Quand une nouvelle lame est installée, il peut être nécessaire de vérifier le jeu de la lame par rapport à la structure de la plaque tournante. La plaque de butée pour la profondeur de coupe doit rendre possible les coupes à profondeur non limitée (coupes normales) aussi bien que les coupes non traversantes qui servent à couper des rainures.

Réglage de la profondeur de la lame pour des coupes normales à profondeur non limitée

1. Lorsque vous effectuez des coupes normales à profondeur non limitée, poussez la plaque de butée pour la profondeur de coupe en direction de la tête de scie (voir Figure 16). Ceci permettra à la vis de butée de profondeur de traverser entièrement le trou dans la plaque.
2. Assurez-vous que la coupe aura la profondeur désirée :
 - Fixez la table à un angle d'onglet de 0° et poussez complètement la scie en arrière.
 - Tirez sur le goujon de verrouillage de l'ensemble de tête afin de le faire sortir pour le mettre en position de relâchement.
 - Appuyez sur la tête de la scie et regardez la vis de butée de profondeur passer à travers la plaque de butée sans se coincer ou sans entrer en contact avec la plaque.

Réglage de la profondeur de la lame pour les coupes non traversantes afin de couper des rainures

REMARQUE : pour obtenir les meilleurs résultats possibles, Bosch recommande l'utilisation d'une scie circulaire à table avec un jeu de lames à rainurer en option pour couper des rainures et pour faire des coupes non traversantes. Si une telle scie n'est pas disponible, la fonctionnalité décrite ci-dessous est une autre possibilité pratique.

1. Relâchez (en le faisant sortir) le goujon de verrouillage de l'ensemble de tête et laissez la tête de la scie monter au maximum. Faites glisser la tête de la scie dans sa position totalement rentrée.
2. Tirez sur la plaque de butée pour la profondeur de coupe afin de la faire sortir de la tête de la scie (Figure 17).
3. Saisissez la poignée principale (article 3, page 116) et appuyez sur la tête de la scie tout en regardant la vis de butée pour la profondeur de coupe entrer en contact avec la surface du haut de la plaque de butée pour la profondeur de coupe. La vis ne dépassera au-delà de la limite du trou dans la plaque.
4. Tournez le bouton au bout de la vis de butée pour la profondeur de coupe (le bout fileté étant toujours en contact avec la plaque de butée) et regardez le bas de la lame de scie en mouvement. Cet ajustement permet de régler la profondeur de la coupe.

Voir page 152 pour des instructions sur la « Coupe de rainures ».

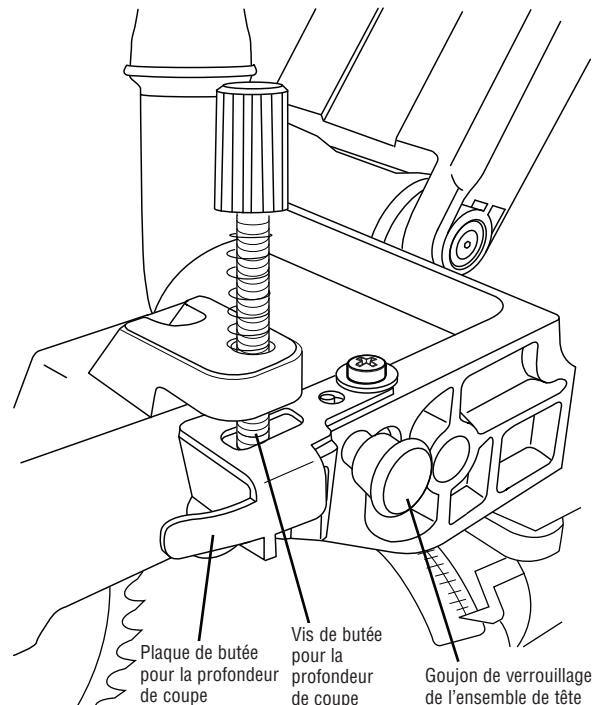


Figure 16

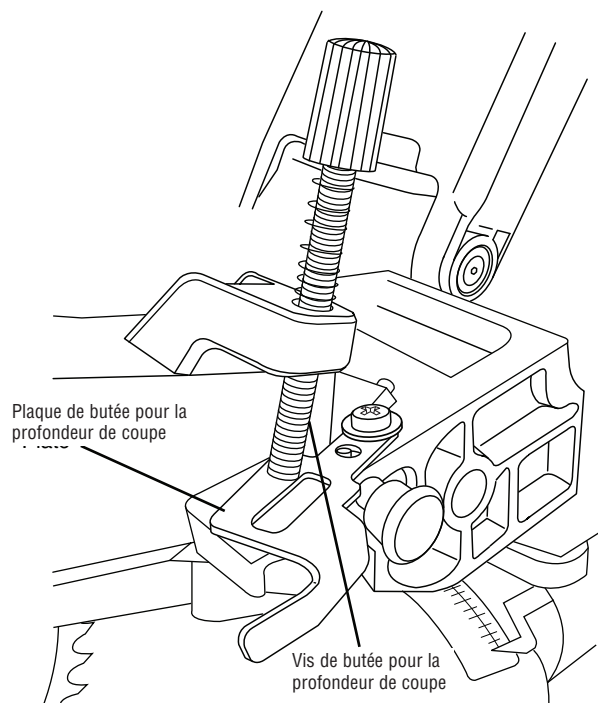


Figure 17

Réglages

Système de détente d'onglet – Procédure de réglage

Étalonnage du système de détente d'onglet

1. Engagez la détente d'onglet à la position 0°. Desserrez le bouton de verrouillage d'onglet d'un demi-tour.
2. Localisez quatre trous ronds dans la plaque de l'échelle d'onglet. Il y a une vis dans chaque trou. Utilisez la petite extrémité de la clé hexagonale de 6/4 mm ou d'un clé hexagonale de 4 mm pour desserrer toutes les quatre vis d'un à deux tours. Ceci desserrera la plaque de détente d'onglet (voir Figure 18).

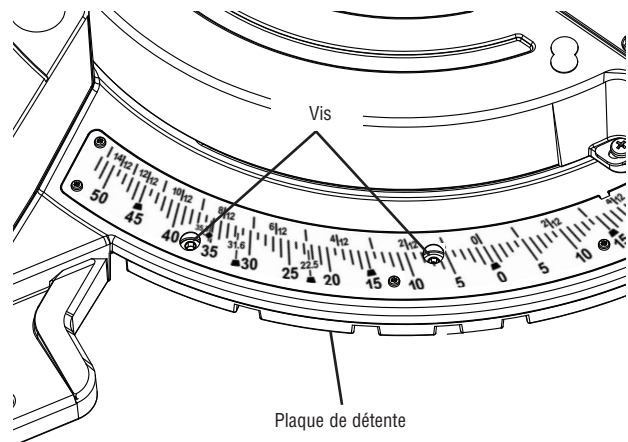


Figure 18

3. Verrouillez la scie en position abaissée au moyen du goujon de verrouillage de l'ensemble de tête (article 43 – page 117).
4. Tenez un côté d'une équerre combinée de 90° contre le guide et faites tourner la table (et la plaque de détente) jusqu'à ce que le côté de la lame de scie soit complètement en contact avec l'autre côté de l'équerre.

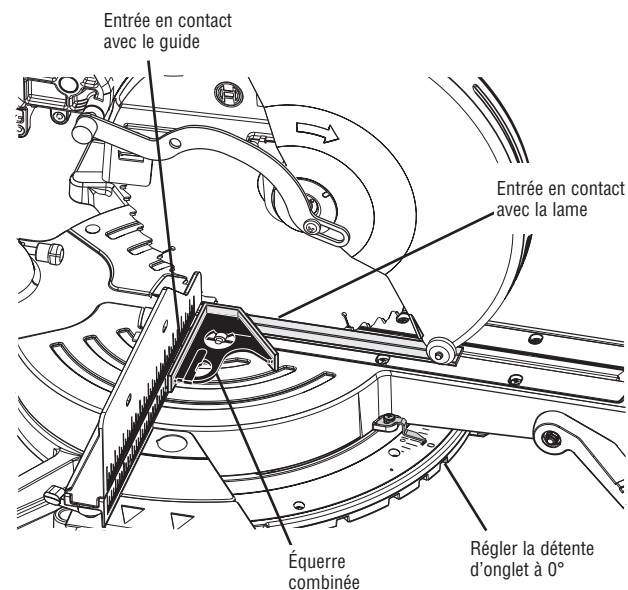


Figure 19

5. Serrez toutes les quatre vis – desserrez le pointeur de l'échelle d'onglet et remettez-le dans la position « 0 ».

Réglage du pointeur de l'échelle d'onglet

1. Faites tourner la table à la position 0° et verrouillez-la en place.
2. Élevez l'ensemble de tête pour le mettre dans la position la plus haute (UP).
3. Desserrez la vis de réglage du pointeur qui tient le pointeur de l'échelle d'onglet en place (voir Figure 20).
4. Positionnez le pointeur pour l'aligner avec le trait correspondant à 0°. Serrez la vis.

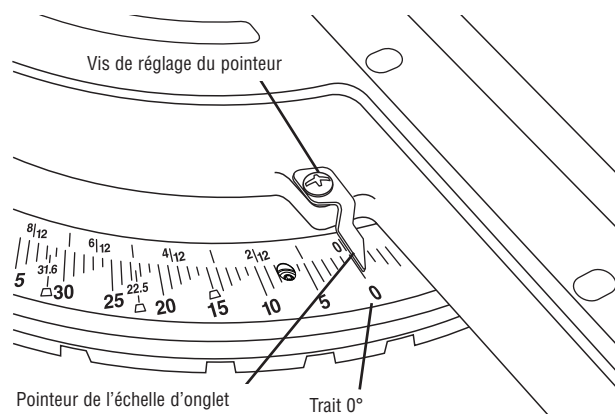


Figure 20. Réglage de l'échelle d'onglet

Réglage des éléments amovibles pour traits de scie

Les éléments amovibles pour traits de scie doivent être ajustés près de la lame, mais sans toucher la lame afin de ne pas risquer d'endommager le bas de l'ouvrage.

1. Maintenez l'ensemble de tête de scie enfoncé et appuyez sur le goujon de verrouillage de l'ensemble de tête (article 43 – page 117) pour maintenir la scie en position abaissée (DOWN).
2. Desserrez les six vis des éléments amovibles pour traits de scie en utilisant un tournevis à pointe cruciforme N° 2.
3. Ajustez les éléments amovibles pour traits de scie aussi près de la lame (dents) que possible sans contact avec la lame.
4. Serrez les vis des éléments amovibles pour traits de scie.

REMARQUE : si les angles de biseau sont extrêmes, la lame de la scie risque d'entailler légèrement l'élément amovible pour traits de scie.

Vis d'un élément amovible pour traits de scie

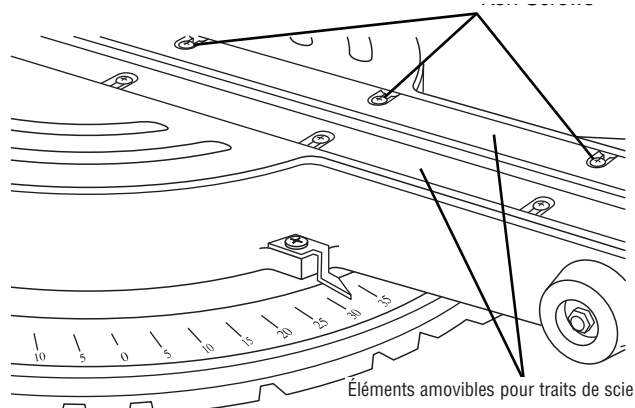


Figure 21. Éléments amovibles pour traits de scie

Réglages

Butée de biseau à 0° – Procédure de réglage

⚠ AVERTISSEMENT Pour ne pas risquer de blessures, débranchez toujours la fiche électrique de la prise de courant avant d'effectuer toute opération d'assemblage, de réglage ou de réparation.

Vérification du réglage de la butée de biseau à 0°

1. Maintenez l'ensemble de tête de scie enfoncé et appuyez sur le goujon de verrouillage de l'ensemble de tête (article 43 – page 117) pour maintenir la scie en position abaissée (DOWN).
2. Faites glisser l'ensemble de tête complètement vers l'arrière et engagez le levier de verrouillage (article 27 – page 117) en soulevant la languette en forme de doigt.
3. Faites tourner la table pour la mettre en position d'onglet de 0°.
4. Tirez sur le levier de verrouillage du biseau (vers le haut) pour desserrer.
5. Vérifiez la position du bouton du sélecteur de plage de biseau ; il devrait être dans la position « 0-45° à gauche ».
6. Inclinez l'ensemble de scie vers la gauche (dans le sens contraire des aiguilles d'une montre), puis faites-le tourner vers la droite (dans le sens des aiguilles d'une montre) jusqu'à ce qu'il atteigne la butée en position verticale – c'est l'endroit où la scie est réglée alors pour faire une coupe à 0°.
7. Appuyez sur le levier de verrouillage du biseau pour verrouiller la position angulaire.
8. Utilisez une équerre combinée pour vous assurer que la lame est à 90° par rapport à la table (à angle droit). Placez le bord de la règle de l'équerre contre la table et faites-la glisser pour que la lame entre en contact avec le côté vertical de la tête de l'équerre (voir Figure 22).
9. Assurez-vous que la plaque de la lame de scie (pas les dents) est en contact avec le côté à 90° de l'équerre. Si la plaque de la lame de scie n'est pas entièrement en contact avec le côté à 90° du corps de l'équerre, suivez les procédures de « Réglage de la butée de biseau à 0° ».

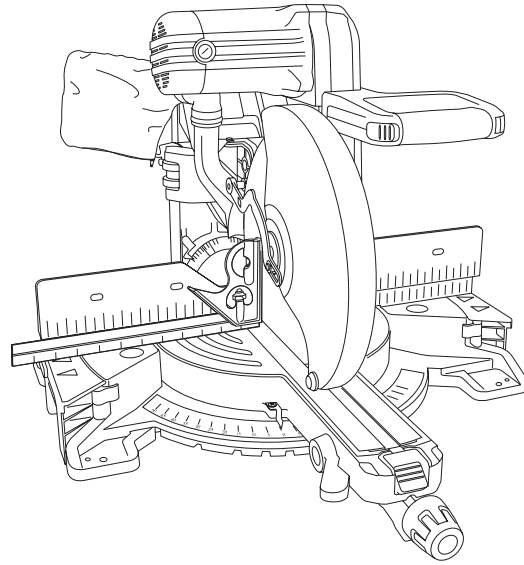


Figure 22

Réglages

Butée de biseau à 0° – Procédure de réglage

AVERTISSEMENT Pour ne pas risquer de blessures, débranchez toujours la fiche électrique de la prise de courant avant d'effectuer toute opération d'assemblage, de réglage ou de réparation.

Réglage de la butée de biseau à 0° (lame à 90° par rapport à la table)

1. Tirez sur le levier de verrouillage du biseau pour desserrer.
2. Desserrez les têtes des boulons « A » et « B » en utilisant une douille (avec une clé à douille) ou une clé à molette de 10 mm. Desserrez les boulons d'au moins un tour complet (voir Figure 23).
3. Desserrez la vis de réglage « D » en utilisant le bout de 4 mm de la clé hexagonale de 6/4 mm (fournie avec l'outil, mais qui peut être remplacée par une clé hexagonale de 4 mm standard). Desserrez la vis d'au moins trois tours complets.

4. Placez l'équerre combinée sur la table et contre la lame (voir Figure 22).
5. En utilisant le bout de 4 mm de la clé hexagonale, tournez la vis de réglage « C » et regardez la lame de la scie s'incliner. Tournez la vis « C » jusqu'à ce que la lame soit alignée (totalement en contact) avec le bord du corps de l'équerre. Retirez la clé hexagonale après l'alignement.
6. Serrez la vis de réglage « D » au moyen de la clé hexagonale de 4 mm.
7. Serrez les têtes des boulons « A » et « B » en utilisant une clé à molette de 10 mm.
8. Ajustez les pointeurs de l'échelle de biseau (article 36 – page 117) pour qu'ils soient alignés avec les traits à 0° de l'échelle de biseau.
9. Appuyez sur le levier de verrouillage du biseau pour verrouiller.

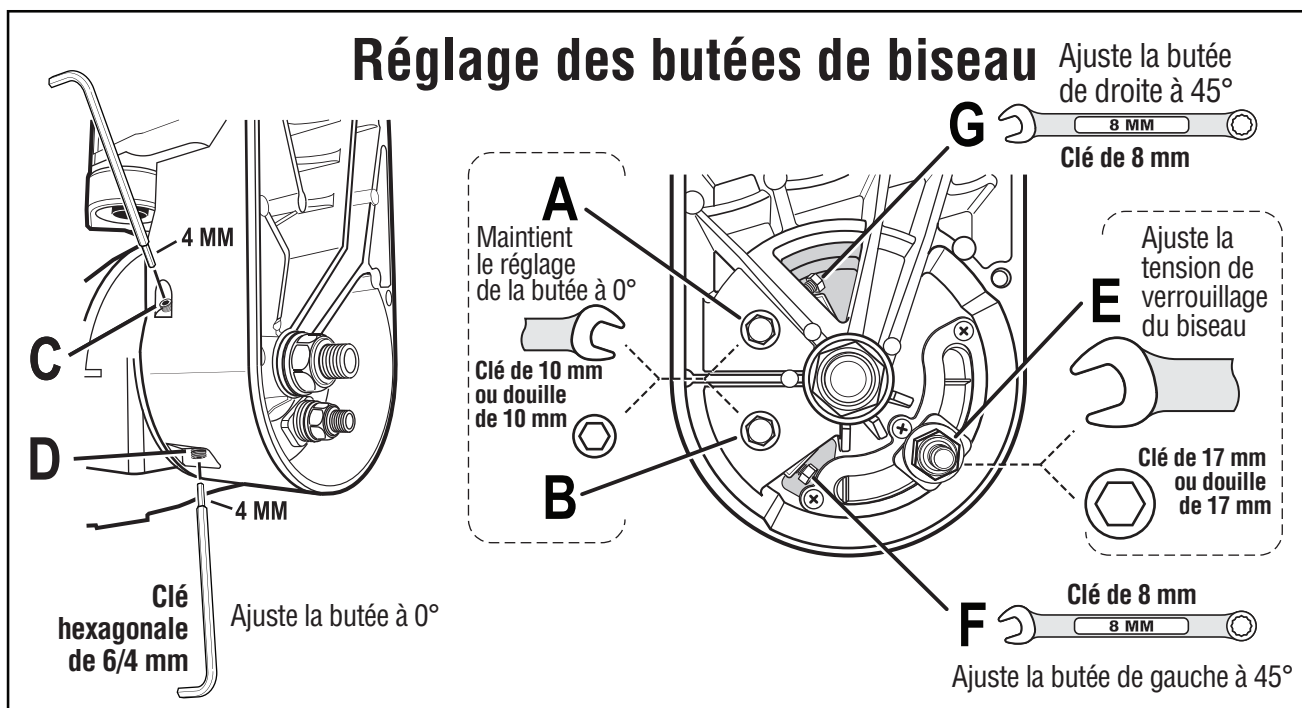


Figure 23

Réglages

Butée de biseau à 45° – Procédure de réglage

⚠ AVERTISSEMENT Pour ne pas risquer de blessures, débranchez toujours la fiche électrique de la prise de courant avant d'effectuer toute opération d'assemblage, de réglage ou de réparation.

Vérification du réglage de la butée de biseau à 45°

- Maintenez l'ensemble de tête de scie enfoncé et appuyez sur le goujon de verrouillage de l'ensemble de tête (article 43 – page 117) pour maintenir la scie en position abaissée (DOWN).
- Faites glisser l'ensemble de tête complètement vers l'arrière et engagez le levier de verrouillage (article 27 – page 117) en soulevant la languette en forme de doigt.
- Faites tourner la table pour la mettre en position d'onglet à 0°.
- Tirez sur le levier de verrouillage du biseau pour déverrouiller. Déplacez le guide coulissant de gauche à fond vers la gauche.
- Vérifiez la position du bouton du sélecteur de plage de biseau ; il doit être dans la position « 0-45° gauche ».
- Inclinez l'ensemble de scie vers la gauche (dans le sens contraire des aiguilles d'une montre) jusqu'à ce qu'il atteigne la butée de 45° – c'est l'endroit où la butée à 45° de la scie est réglée alors pour faire une coupe en biseau à 45° vers la gauche.
- Utilisez une équerre combinée pour vous assurer que la lame est à un angle de 45° par rapport à la table. Retirez la lame de la règle de l'équerre combinée. Placez seulement la tête de l'équerre combinée sur la table de la scie de façon que son côté plat long repose sur la table et que son côté à 45° soit contre la lame inclinée (voir Figure 24).
- Assurez-vous que seule la plaque de la lame de scie (pas les dents) est en contact avec le côté à 45° de l'équerre. Si la plaque de la lame de scie n'est pas totalement en contact avec le côté à 45° de la tête de l'équerre, suivez les procédures de « Réglage de la butée de biseau à 45° ».

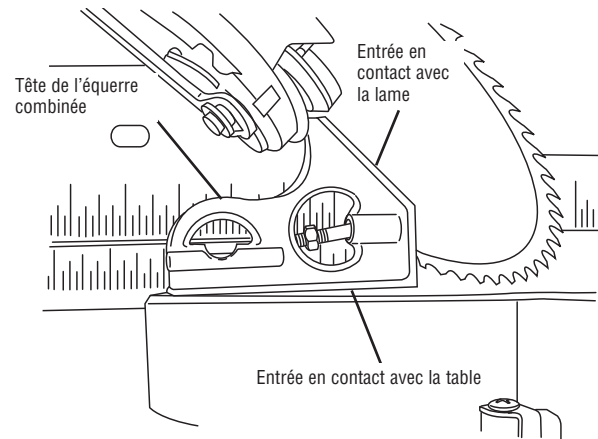


Figure 24

Réglages

Butée de biseau à 45° – Procédure de réglage

⚠ AVERTISSEMENT Pour ne pas risquer de blessures, débranchez toujours la fiche électrique de la prise de courant avant d'effectuer toute opération d'assemblage, de réglage ou de réparation.

Réglage de la butée de biseau à 45° (Lame de la scie à 45° par rapport à la table)

1. Tirez sur le levier de verrouillage du biseau pour déverrouiller. Faites glisser le guide coulissant de gauche à fond à gauche.
2. Inclinez l'ensemble de scie vers la gauche (dans le sens contraire des aiguilles d'une montre) jusqu'à ce qu'il atteigne la butée à 45°.
3. Placez seulement la tête de l'équerre combinée sur la table de la scie de façon que son côté plat long repose sur la table et que son côté à 45° soit contre la lame inclinée.
4. Placez une clé à molette de 8 mm sur la tête du boulon « F » (voir Figure 25).
5. Tout en tournant le boulon « F », regardez la lame s'incliner – tournez « F » jusqu'à ce que la plaque de la lame de scie soit totalement en contact avec le côté à 45° de la tête de l'équerre (voir Figure 24).
6. Si nécessaire, ajustez les pointeurs de l'échelle de biseau (article 36 – page 117) pour qu'ils soient alignés avec les traits à 45° de l'échelle de biseau. Pour commencer, ajustez le pointeur de biseau de droite ; puis inclinez la tête de la scie au niveau de la position de la butée à 45° de droite (voir page 41 – « Plage de biseau 2 = 0-45° à droite ») et ajustez le pointeur de biseau de gauche. Inclinez la tête de la scie au niveau de la position 0° – les deux pointeurs doivent être alignés avec les traits à 0° de l'échelle de biseau.
7. Appuyez sur le levier de verrouillage du biseau pour verrouiller à l'angle de biseau désiré.

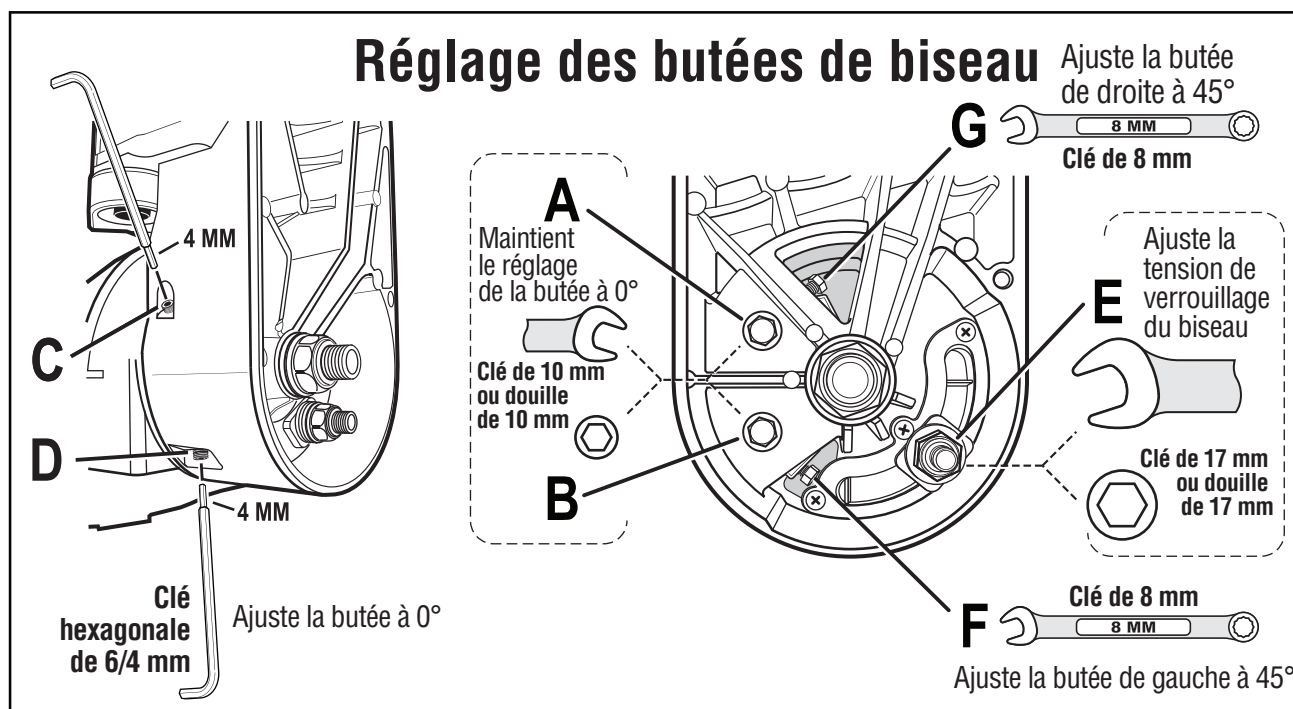


Figure 25

Réglages

Réglage de la tension de verrouillage du biseau

Vérification de la tension de verrouillage du biseau

1. Tirez sur le levier de verrouillage du biseau pour relâcher la tension. S'il semble résister excessivement à ce mouvement, cela signifie qu'un réglage est probablement recommandé.
2. Vérifiez la résistance à l'inclinaison. Saisissez la poignée principale et inclinez lentement la scie vers la gauche. Vous devriez constater un peu de résistance initialement pendant que vous inclinez celle-ci. À environ 30°, la résistance devrait diminuer. Si vous ne constatez pas la moindre résistance, cela signifie qu'un réglage est probablement recommandé.
3. Vérifiez la tension de verrouillage du biseau. Appuyez sur le levier de verrouillage du biseau – normalement, il est nécessaire d'appliquer plus de pression au début ; ensuite, le levier devrait s'abaisser complètement en position de verrouillage avec un bruit sourd.
 - A) S'il est trop difficile d'appuyer à fond sur le levier pour l'abaisser complètement, cela signifie qu'un réglage de la tension est probablement recommandé.
 - B) Vérifiez la puissance de verrouillage : inclinez la scie à environ 30° et appuyez sur le levier de verrouillage du biseau. Appuyez fermement sur le côté droit de la tête de la scie – si la tête de la scie s'incline de plus de 1/2° par rapport à la position verrouillée, cela signifie qu'un réglage de la tension de verrouillage du biseau est probablement recommandé.

Réglage de la tension de verrouillage du biseau

La tension du levier de verrouillage du biseau a été réglée en usine. Il peut être nécessaire de procéder à un réglage de l'outil après une période d'emploi intensif. Il faut fixer la résistance à l'inclinaison avant de régler la tension.

1. Tirez sur le levier de verrouillage du biseau pour relâcher la tension.
2. **Réglage de la résistance à l'inclinaison** (voir point 2 ci-dessus).
 - A) Si la résistance est trop faible, serrez légèrement (1/16e de tour) le grand contre-écrou « H » au moyen d'une clé ou d'une douille de 24 mm.

B) Si la résistance est trop forte, desserrez légèrement (1/16e de tour) le grand contre-écrou « H » au moyen d'une clé ou d'une douille de 24 mm.

3. **Réglage de la tension** (voir points 1 et 3 ci-dessus) Tirez sur le levier de verrouillage du biseau ou appuyez dessus.
 - A) S'il est trop difficile de tirer sur le levier ou d'appuyer dessus, il est possible de réduire la tension en utilisant une clé ou une douille de 17 mm pour desserrer le contre-écrou « E » (d'un 1/8^e de tour). Vérifiez à nouveau alors.
 - B) S'il est trop facile de tirer sur le levier ou d'appuyer dessus, ou si la tête de la scie ne se verrouille pas complètement à un paramètre de réglage du biseau, il est possible d'augmenter la tension en utilisant une clé ou une douille de 17 mm pour serrer le contre-écrou « E » (d'un 1/8^e de tour). Vérifiez à nouveau alors.

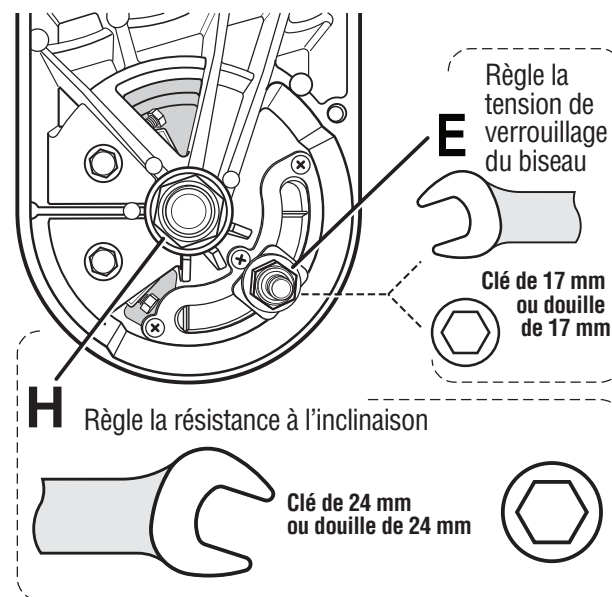


Figure 26

Réglage du boulon de stabilisation avant

Le boulon de stabilisation avant est situé sur le dessous de la base de la scie, près de la fente de détente d'onglet à 0° (Figure 26a). Il fournit un support additionnel pour les coupes coulissantes.

Le boulon de stabilisation a été réglé à l'usine. Suivez la procédure ci-dessous s'il est desserré ou s'il a besoin d'un nouveau réglage :

1. Déplacez la scie de façon que vous ayez un accès facile au boulon de stabilisation. Desserrez le boulon de stabilisation et le contre-écrou en utilisant une clé de 10 mm.
2. Remettez la scie sur votre table de travail. Dévissez l'écrou de stabilisation jusqu'à ce qu'il entre en contact avec la table.
3. Déplacez la scie à nouveau de façon que vous ayez accès au boulon de stabilisation. Tout en tenant la tête du boulon avec une pince ou une clé de 10 mm, utilisez une clé à fourche de 10 mm pour serrez à fond le contre-écrou contre le bossage de la base de la scie.

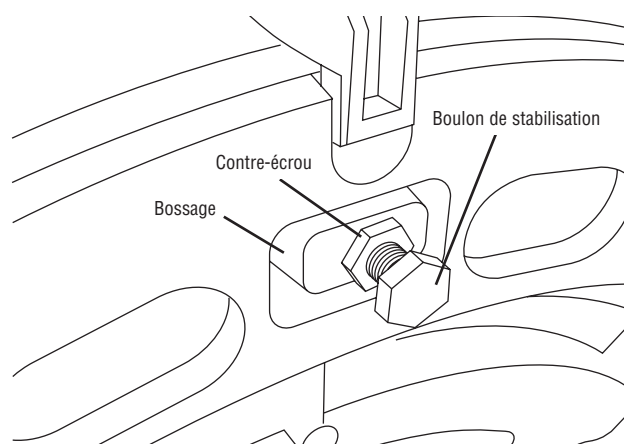


Figure 26a

Transport et montage

AVERTISSEMENT Pour ne pas risquer de vous blesser, suivez toutes les consignes de sécurité identifiées ci-dessous par le symbole (●) (gros point noir).

- **Ne soulevez jamais cette scie en saisissant les extensions de la base quand elles sont dans leur position allongée.**
- **Débranchez le cordon électrique et enroulez-le.** Utilisez le crochet et la broche pour enroulement pour ranger le cordon enroulé.
- **Ne soulevez jamais la scie en saisissant l'une des parties du mécanisme.** La scie risquerait de bouger et de causer de graves blessures à votre main et à vos doigts.
- **Pour ne pas risquer de vous faire mal au dos, tenez l'outil près de votre corps quand vous le soulevez.** Pliez les genoux de façon à vous permettre de soulever avec vos jambes, pas avec votre dos. La méthode préférée consiste à soulever la scie depuis l'arrière. Ceci inclinera l'outil dans le sens de votre corps.
- **Ne soulevez jamais l'outil en tenant la poignée de l'interrupteur.** Ceci risquerait de causer des dommages graves.
- **Ne soulevez jamais la scie à onglet par le cordon d'alimentation électrique ou par la poignée opérationnelle.** Si vous tentez de soulever l'outil ou de le transporter par son cordon d'alimentation vous endommagerez l'isolation et les connecteurs, ce qui causera un choc électrique ou un incendie.
- **Placez la scie sur une surface horizontale ferme où il y a beaucoup de place pour manipuler et supporter adéquatement l'ouvrage.**

NE soulevez cette scie QUE par ses poignées de transport incorporées de chaque côté du fond de la base (voir Figure 27).

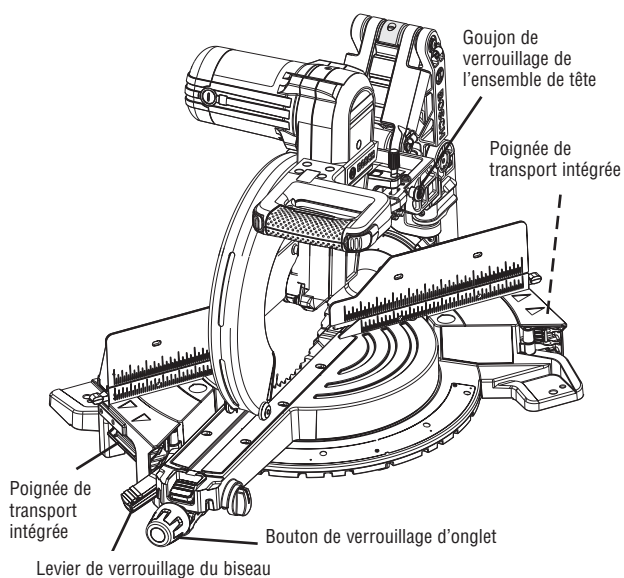


Figure 27

Pour soulever la scie par l'arrière

1. Réglez l'angle de biseau à 0° et verrouillez en place en utilisant le levier de verrouillage du biseau.
2. Faites tourner la table jusqu'à sa position la plus à gauche possible et verrouillez-la en place avec le bouton de verrouillage d'onglet.
3. Repoussez la tête de la scie vers l'arrière et verrouillez-la dans la position abaissée (DOWN) en utilisant le goujon de verrouillage de l'ensemble de tête.
4. Engagez le levier de verrouillage du mécanisme de façon à verrouiller la scie dans sa position rétractée.
5. Assurez-vous que chaque extension de la table de base est en position fermée et qu'elle est verrouillée en place.
6. Utilisez les deux mains et penchez-vous pour saisir chaque poignée de transport intégrée. Dans la mesure du possible, soulevez la scie depuis l'arrière.

Transport et montage

Applications de montage

Attachement permanent sur un banc de travail

1. Chacun des quatre trous de montage doit être boulonné solidement à l'aide de boulons de 5/16 po, de rondelles d'arrêt et d'écrous hexagonaux (non fournis).
2. Repérez et marquez l'emplacement du montage de la scie.
3. Percez quatre (4) trous de 5/16 po de diamètre à travers l'établi.
4. Placez la scie à onglet sur l'établi en alignant les trous de la base sur ceux percés dans l'établi. Posez des boulons, des rondelles d'arrêt et des écrous hexagonaux.

Autre façon d'attacher la scie

Les petits trous de montage à chaque coin peuvent être utilisés pour des clous ou des vis pour cloison sèche longues.

La surface d'appui où la scie doit être montée doit être examinée soigneusement après le montage pour s'assurer qu'il ne pourra y avoir aucun mouvement durant l'usage. En cas de basculement ou d'avance, fixez solidement l'établi ou le support avant d'utiliser la scie à onglet composée.

⚠ MISE EN GARDE Faites attention de ne pas enfoncer excessivement le clou ou de ne pas trop serrer le boulon. Ceci risquerait de fissurer le pied ou d'endommager la base.

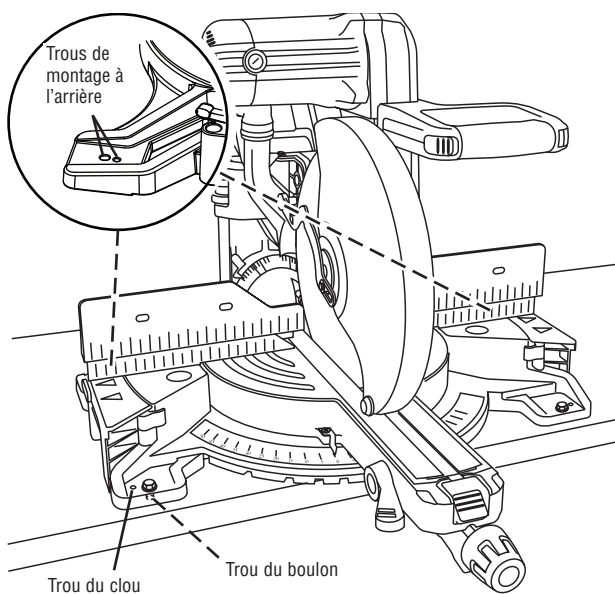


Figure 28. Montage sur un banc de travail

Montage temporaire au moyen de brides de fixation

- Si besoin est, cramponnez la scie à onglet à un établi ou à une table
- Placez au moins deux (2) serre-joints en C sur les surfaces de cramponnage et fixez solidement (Figure 29). Il y a des aires de fixation par des brides aux quatre coins de la scie.
- Faites attention de ne pas placer les serre-joints au-dessus des leviers de blocage des rallonges de l'embase (Figure 29).
- Le montage avec des serre-joints empêchera d'utiliser les angles d'onglet importants.

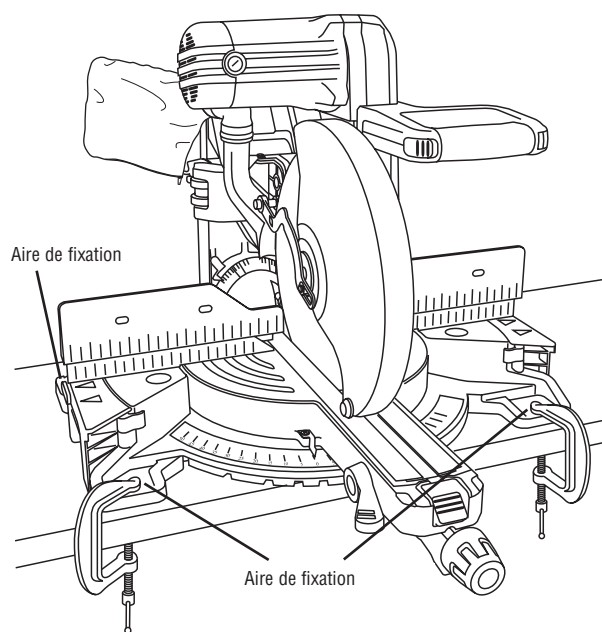


Figure 29. Montage temporaire au moyen de brides de fixation

Préparation pour les opérations de la scie

Position du corps et des mains

AVERTISSEMENT Positionnez votre corps et vos mains adéquatement pour rendre la coupe plus facile et plus sûre. Observez les instructions suivantes. Vous risquez de subir des blessures graves si vous ne respectez pas toutes les consignes de sécurité identifiées ci-après par le symbole (●) (gros point) (voir Figure 30)

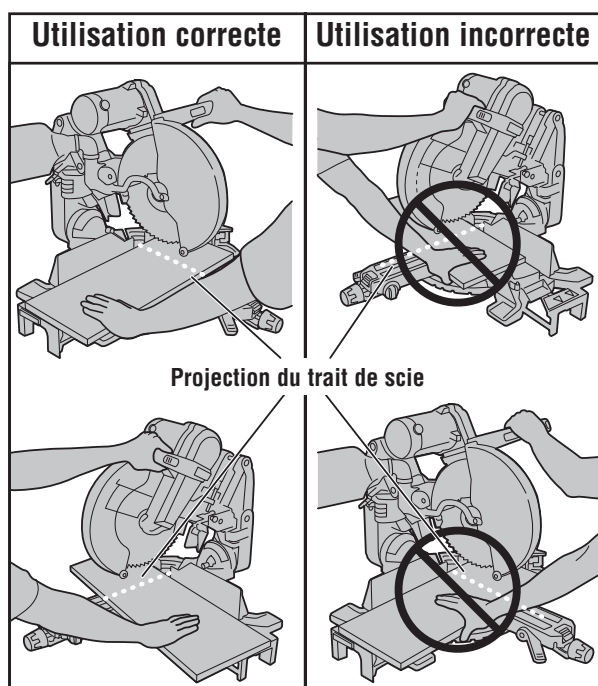


Figure 30. Positions des mains

- Ne placez jamais les mains près de la zone de coupe. Ne mettez pas les mains ou les bras dans la zone interdite aux mains.

La **zone interdite aux mains** est définie comme le table tout entière plus la portion fixe de l'embase à droite et à gauche de la table et les portions du guide qui se trouvent à l'intérieur de ces limites. Cette zone est repérée par des symboles « interdit aux mains » placés sur l'embase fixe.

- Soyez attentif à la trajectoire de la lame de scie. Faites un essai de sciage à blanc avec la scie arrêtée, simulez un cycle de sciage et repérez la trajectoire de la lame de scie. Éloignez les mains de la trajectoire de la lame de scie.

SCIAGE À BLANC – Il est important de savoir où la lame rencontre la pièce pendant le sciage. Effectuez toujours la simulation de coupe avec la scie à l'arrêt afin de comprendre la trajectoire de la lame de scie. Prenez note mentalement de la position de la trajectoire de la lame de scie et positionnez la pièce de manière à ce que vos mains et vos bras ne se trouvent pas dans la trajectoire de la lame en rotation. Réglez vos brides et guides de manière à ne pas entraver le mouvement de coupe ou de nuire à la régularité du mouvement du capot protecteur inférieur. (voir Figure 30)

- Tenez la pièce fermement contre la table et le guide pour empêcher tout mouvement.
- Gardez les mains en place jusqu'à ce que la gâchette ait été relâchée et que la lame se soit complètement arrêtée.
- Ne placez jamais les mains sur les composants du mécanisme.
- Gardez les pieds fermement sur le plancher et maintenez un bon équilibre.
- Suivez le bras d'onglet en coupant à gauche ou à droite. Tenez-vous légèrement sur le côté de la lame de scie.

AVERTISSEMENT Il se peut que le protecteur inférieur ne s'ouvre pas automatiquement dans certaines conditions de coupe. Par exemple, quand vous essayez de scier des pièces qui sont proches de la capacité de coupe maximale en hauteur. Dans de telles conditions ou pendant le déplacement occasionné par le mouvement de coupe, l'ouvrage peut interrompre le mouvement du dispositif de protection inférieur avant que le mouvement descendant du bras puisse ouvrir ce dispositif de protection.

Dans ce cas :

L'ouvrage doit être cramponné solidement. Ceci libère une main pour soulever le protecteur par le rebord suffisamment pour passer à côté de l'ouvrage (voir Figure 31).

Mettez la scie en marche et commencez votre coupe.

Lorsque vous êtes passé à côté de la position où le protecteur inférieur peut gripper, relâchez le protecteur et il continuera à lever automatiquement au fur et à mesure que vous coupez.

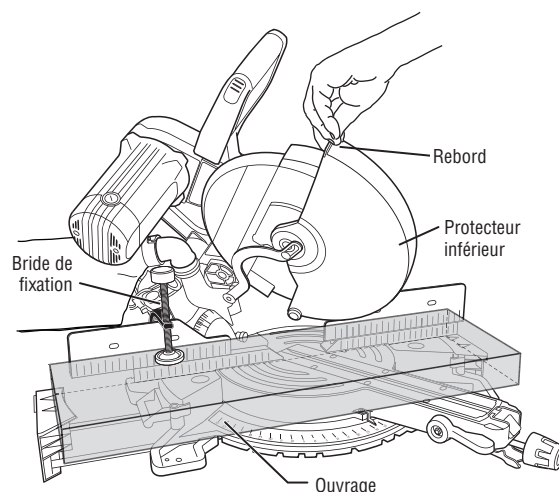


Figure 31. Levée du protecteur inférieur

Préparation pour les opérations de la scie

Support de l'ouvrage

Brides

Utilisation de la bride de fixation de l'ouvrage – Cette bride de fixation permet d'assujettir facilement un ouvrage sur la table ou sur la base.

1. Insérez la barre moletée de la bride de fixation dans un trou pour goujon de fixation ; il y a deux trous pour des goujons de fixation qui sont situés dans la base derrière le guide. L'extrémité moletée doit être enfoncée dans le trou pour goujon de fixation sur au moins 1/2 po.
2. Faites glisser la bride de fixation vers le bas jusqu'à ce que son pied en caoutchouc entre en contact avec l'ouvrage.
3. Ajustez la hauteur de la bride de fixation pour que celle-ci n'entre pas en contact avec le guide coulissant.
4. Faites tourner le bouton de contrôle de la bride de fixation jusqu'à ce que l'ouvrage soit maintenu fermement en place.
5. Déplacez la tête de la scie vers le haut et vers le bas, ainsi que vers l'avant et vers l'arrière, pour vous assurer que la bride de fixation ne fait pas obstacle à son mouvement.

⚠ AVERTISSEMENT La bride de fixation ne pourra peut-être pas être utilisée dans le contexte de certaines coupes composées extrêmes. Dans de tels cas, soutenez l'ouvrage avec votre main en dehors des zones « Danger pour les mains ». N'essayez pas de couper des matériaux courts qui ne peuvent pas être assujettis avec la bride de fixation ou avec votre main en dehors des zones « Danger pour les mains ».

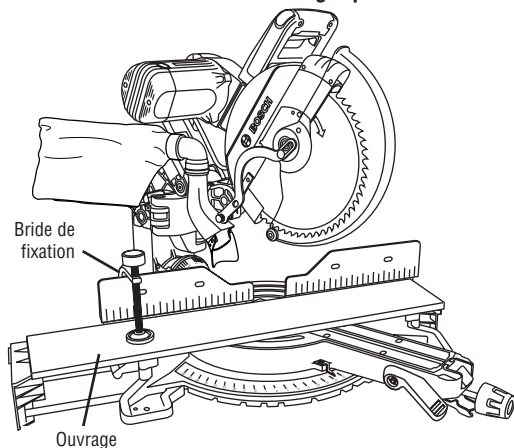


Figure 32. Bride de fixation de l'ouvrage

Brides de fixation – D'autres dispositifs d'assujettissement, tels que des cols de cygne, peuvent être utilisés pour assujettir fermement un ouvrage contre la table et le guide. Vérifiez que ces brides de fixation ne se trouvent pas sur la course de la scie lors de la coupe.

Guides coulissants

⚠ AVERTISSEMENT Pour qu'il y ait assez d'espace entre votre main et la lame de la scie, étendez les guides et les rallonges de la base lorsque vous effectuez des coupes en biseau, des coupes d'onglet ou des coupes composées extrêmes.

Utilisation des guides coulissants

1. Tirez le levier de verrouillage du guide vers l'avant de l'outil pour desserrer le guide.
2. Faites glisser le guide jusqu'à la position désirée.
3. Poussez le levier de verrouillage vers l'arrière de l'outil pour verrouiller le guide en place.

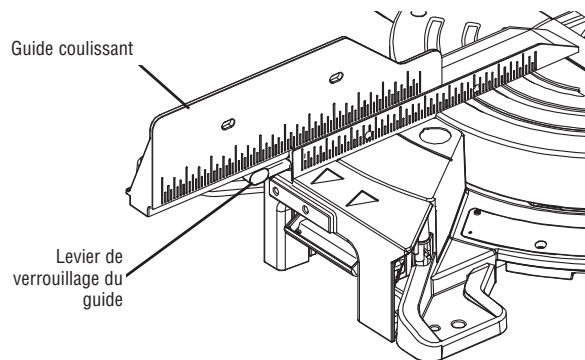


Figure 33
Retrait des guides coulissants

1. Soulevez la languette de la plaque du cache et faites-la tourner dans le sens opposé à celui du guide.
2. Poussez le levier de verrouillage vers la tête de la scie afin de desserrer le guide.
3. Faites glisser le guide à fond dans le sens opposé à celui de la tête de la scie.
4. Soulevez le guide coulissant pour le retirer.

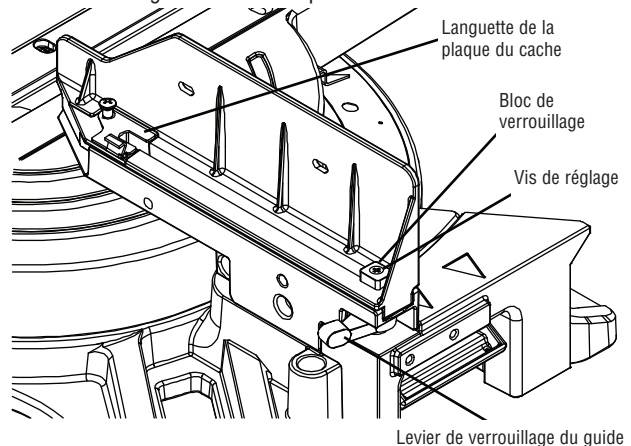


Figure 34

Réglage de la vis de réglage des guides coulissants

1. Si le guide coulissant ne fonctionne pas comme cela est décrit, il doit faire l'objet d'un nouveau réglage. Retirez le guide coulissant - voir plus haut.
2. Appuyez fermement sur le bloc de verrouillage pour exposer la vis de réglage - en utilisant un tournevis à pointe cruciforme N° 2, tournez la vis d'un douzième de tour jusqu'à l'encoche suivante dans le bloc.

Guide de gauche : pour serrer le mécanisme de verrouillage - tournez la vis dans le sens contraire des aiguilles d'une montre. Pour desserrer - tournez la vis dans le sens des aiguilles d'une montre.

Guide de droite : pour serrer le mécanisme de verrouillage - tournez la vis dans le sens des aiguilles d'une montre. Pour desserrer - tournez la vis dans le sens contraire des aiguilles d'une montre.
3. Relâchez le bloc de verrouillage pour qu'il retourne dans sa position élevée.
4. Remettez le guide coulissant à sa place en plaçant son grand trou carré au-dessus du bloc de verrouillage. Faites glisser le guide pour qu'il soit engagé à fond et refermez la languette de la plaque du cache. Le guide devrait pouvoir se déplacer librement et se verrouiller fermement n'importe où le long de sa course.

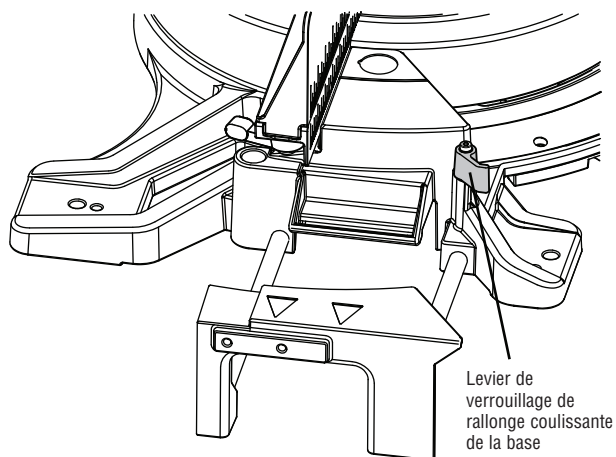
Préparation pour les opérations de la scie

Support de l'ouvrage

Support d'ouvrages longs

⚠ AVERTISSEMENT Les ouvrages longs ont tendance à basculer à moins qu'ils ne soient cramponnés et ne soient dûment supportés par dessous.

Rallonges de la base pour les ouvrages longs – Ces rallonges fournissent un support additionnel pour les ouvrages et sont particulièrement utiles lors de la coupe d'ouvrages longs. Pour repositionner les rallonges, déverrouillez simplement les leviers de verrouillage des rallonges de la base, repositionnez les rallonges et verrouillez à nouveau les leviers (voir Figure 35). Le levier de verrouillage de la rallonge de gauche se serre en le faisant tourner dans le sens des aiguilles d'une montre, et le levier de verrouillage de droite se serre en le faisant tourner dans le sens contraire des aiguilles d'une montre.

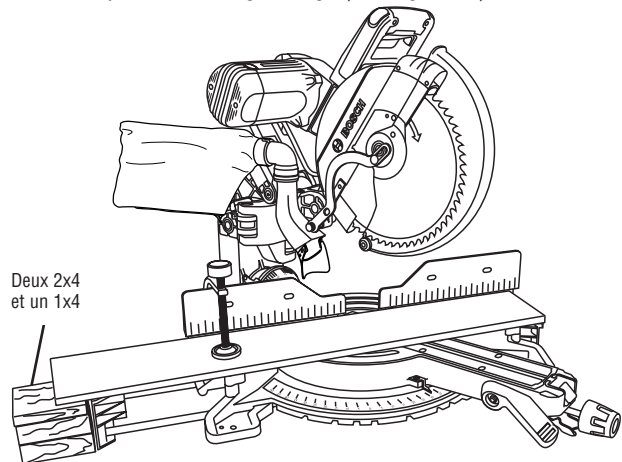


Levier de verrouillage de rallonge coulissante de la base

Figure 35. Rallonges d'embase coulissantes

Soutien additionnel pour l'ouvrage

Blocs — Les pièces longues ont besoin d'être mieux soutenues. La hauteur de base (3-3/4 po) est conçue en fonction du bois d'œuvre standard de deux 2x4 et un 1x4. On peut utiliser des planches de ces épaisseurs pour créer des rallonges de support auxiliaires pour les ouvrages longs (voir Figure 36).



Deux 2x4 et un 1x4

Figure 36. Bloc de support

Préparation pour les opérations de la scie

Construction d'un guide auxiliaire

Certains types de moulure nécessitent une rallonge de face de guide en raison de la dimension et de la position de l'ouvrage. Des trous sont pratiqués dans le guide pour fixer un guide auxiliaire. Le guide auxiliaire est utilisé avec la scie en position biseau 0° seulement.

1. Placez une pièce de bois contre le guide de la scie à onglet (voir Figure 37). (Le bois peut avoir une hauteur maximum de 4 1/2 po.). Assurez-vous que la tête ne gêne pas le guide auxiliaire. Voir le dessin de dimensionnement – Figure 38.
2. Marquez les emplacements des trous de support sur le bois depuis l'arrière du guide.
3. Percez et fraisez les trous à l'avant de la planche de support.
4. Attachement depuis le devant du guide : fixez le(s) guide(s) auxiliaire(s) à l'aide de deux (2) vis à machine à tête fraisée de 3/16 po. Avec un guide auxiliaire de 3/4 po d'épaisseur, utilisez des vis de 1-1/2 po de long. Fixez-les derrière le guide en métal à l'aide de rondelles et d'écrous à machine.

Attachement depuis l'arrière du guide : avec un guide auxiliaire de 3/4 po, utilisez des vis à bois à tête ronde de 1/4 po (3/4 po de long). Percez quatre (4) avant-trous de diamètre inférieur à 1/4 po dans le guide auxiliaire et enfitez les vis par les trous du guide en métal pour les visser dans le guide en bois.

5. Pratiquez une coupe de profondeur normale pour créer la fente à lame. Vérifiez s'il y a interférence entre le guide auxiliaire et le protecteur inférieur de lame. Faites des ajustements au besoin.

6. Pour pouvoir effectuer les meilleures coupes sans éclats de bois, utilisez la méthode de coupe par cisaillement.
7. Lorsque vous effectuez des coupes coulissantes, il faut faire une entaille au centre selon le modèle (voir Figure 38).

AVERTISSEMENT Vérifiez s'il y a interférence causée par un composant quelconque.

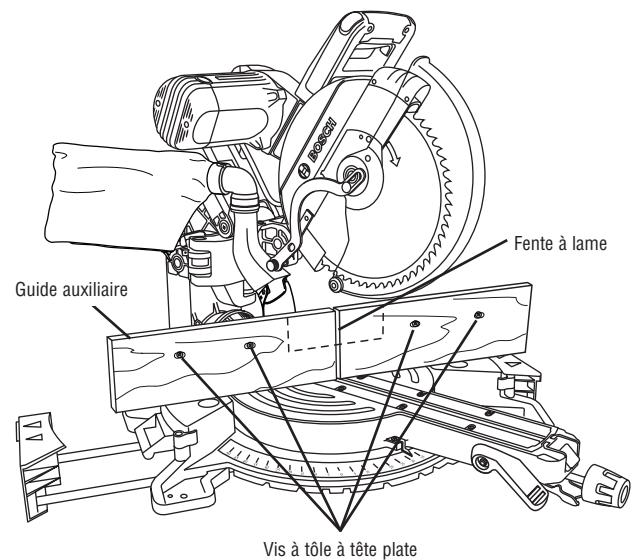


Figure 37. Guide auxiliaire

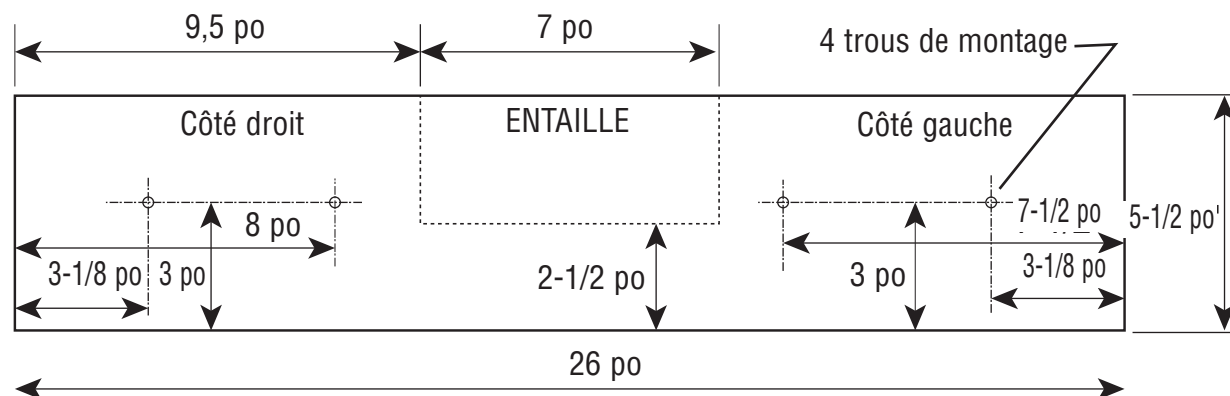


Figure 38. Guide auxiliaire en bois haut – 3/4 po d'épaisseur

Opérations de la scie

Actionnement de l'interrupteur

Pour raisons de sécurité, le levier interrupteur est conçu pour éviter les démarrages intempestifs. Pour actionner l'interrupteur de sécurité, enfoncez le bouton de déverrouillage du blocage de l'interrupteur sur arrêt avec un pouce pour déverrouiller le blocage puis tirez sur le levier de l'interrupteur et relâchez le bouton (voir Figure 39). Quand on relâche le levier de l'interrupteur, le bouton de déverrouillage du blocage sur arrêt de l'interrupteur s'enclenche automatiquement et empêche à nouveau l'actionnement du levier de l'interrupteur jusqu'à ce qu'un des boutons de déverrouillage du blocage sur arrêt soit à nouveau enfoncé.

REMARQUE : le levier de l'interrupteur est fourni avec un orifice qui est compatible avec un cadenas à anse longue pour empêcher tout emploi non autorisé de la scie (le cadenas n'est pas fourni avec l'outil). Le diamètre de l'anse de verrouillage ne peut pas dépasser 1/4 po.

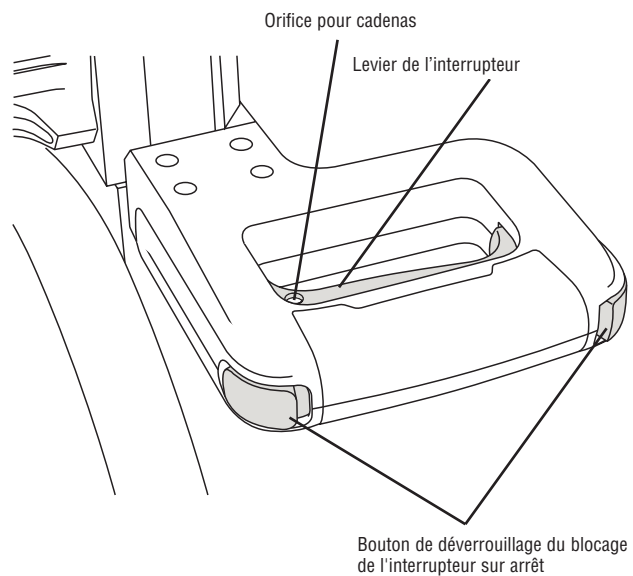


Figure 39. Actionnement de l'interrupteur

Opérations de la scie

Utilisation du système de détente d'onglet

1. Desserrez le bouton de verrouillage d'environ 1/2 tour.
2. Saisissez le bouton de verrouillage, puis étendez votre index vers le bas pour tirer sur le levier de détente d'onglet – tirez sur le levier jusqu'à ce qu'il soit sorti de la plaque de détente.
3. Tout en tenant le levier et le bouton de verrouillage dans la main, faites tourner la table de la scie. Arrêtez la rotation de la table à l'angle désiré comme indiqué par le pointeur de l'échelle d'onglet.
4. Relâchez le levier en détente dans la plaque de détente ou à un certain angle entre les détente. Si vous êtes tout près d'une détente, utilisez la fonction de neutralisation de détente.
5. Serrez le bouton de verrouillage d'onglet avant de couper.

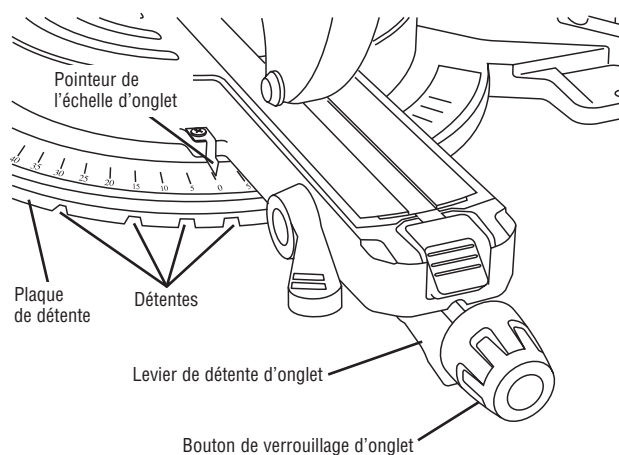


Figure 40

Neutralisation de la détente d'onglet

Le système de neutralisation de la détente d'onglet désactive et verrouille la fonction de détente automatique. Lorsque l'angle d'onglet désiré est proche d'une fente de détente standard, cette fonction empêchera le coin du levier de détente de s'engager dans la fente (p. ex., si l'utilisateur veut être à $44\ 1/2^\circ$ mais si le coin de détente a tendance à s'engager dans la détente à 45°). Lorsque le système de neutralisation de la détente est utilisé, le système de détente est désactivé et la table avancera en douceur vers n'importe quelle position choisie dans la plage possible.

Engagement du système de neutralisation de détente d'onglet

1. Tirez sur le levier de détente d'onglet et maintenez-le dans cette position – le levier est situé sous le bras avant de la plaque tournante (voir Figure 41).
2. Appuyez sur la moitié supérieure du bouton de neutralisation de détente puis relâchez votre prise du levier de détente. Le bouton de neutralisation restera dans la position abaissée (DOWN) (voir Figure 41).
3. La plaque tournante peut tourner librement.

AVERTISSEMENT Comme la table peut alors tourner librement, le bouton de verrouillage d'onglet doit être serré avant que vous ne commenciez une opération de coupe.

Désengagement du système de neutralisation de détente d'onglet

1. Tirez sur le levier de détente d'onglet et le système de neutralisation de détente d'onglet se désengagera automatiquement. Le bouton du système de neutralisation remontera en position haute (UP).
2. Desserrez le bouton de verrouillage d'onglet pour permettre à la table de tourner pour être mise dans une nouvelle position – le levier de détente est maintenant libre de s'engager dans les fentes de détente existantes.

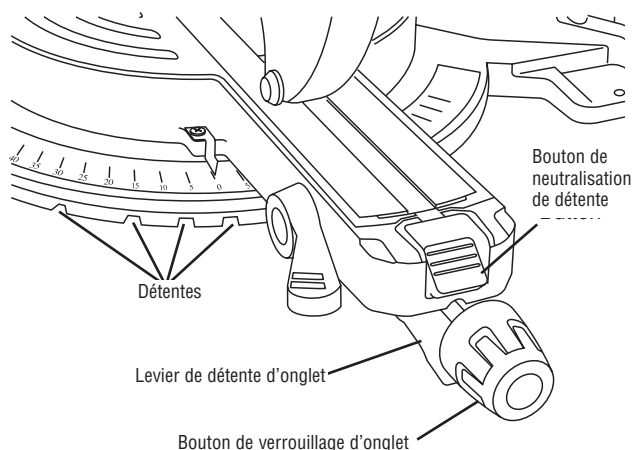


Figure 41. Neutralisation de détente

Opérations de la scie

Coupes de cisaillement

Qu'est-ce qu'une coupe à action de cisaillement – Fonctions de la scie

- Une « coupe à action de cisaillement » est une coupe transversale effectuée lorsque la scie est maintenue dans sa position la plus en arrière possible et est utilisée comme une scie à onglet conventionnelle (non coulissante). L'utilisation de la méthode de cisaillement réduit la capacité de coupe transversale ; cependant, de nombreux utilisateurs préfèrent utiliser cette méthode parce qu'elle est plus rapide quand il est nécessaire de faire des coupes répétées. Cette méthode peut aussi produire des coupes plus précises parce que la tête de la scie est verrouillée dans sa position rétractée.
- Cette scie a des butées d'angles de biseau qui arrêtent le mouvement à des angles critiques : 45° à gauche et à droite, et 0° à droite. Ces valeurs sont fixées à l'usine et ne nécessitent pas de réglage de la part de l'utilisateur. Cependant, il est possible que cet outil nécessite un nouveau réglage s'il a subi un choc important ou au bout d'une période d'utilisation prolongée.
- Une coupe du type à action de cisaillement permet de couper des matériaux ayant une largeur maximum de 5 1/2 po.

Préparation en vue de la coupe de cisaillement

1. Avec la tête de la scie en position élevée (UP), repoussez-la vers l'arrière au-dessus du guide.
2. Engagez le levier de verrouillage du mécanisme (article 27 – page 117) en soulevant la languette en forme de doigt. Assurez-vous que le mouvement du mécanisme a cessé.
3. Positionnez adéquatement votre ouvrage et assujettissez-le fermement avec une bride de fixation sur la table et/ou contre le guide.

AVERTISSEMENT Utilisez une position assujettie qui ne fait pas obstacle au mouvement de l'outil. Avant de mettre l'outil en marche (« ON »), abaissez l'ensemble de tête pour vous assurer que la bride de fixation n'entrave pas le dispositif de protection ou l'ensemble de tête.

Réalisation d'une coupe de cisaillement

1. Activez l'interrupteur, puis abaissez complètement la tête de la scie pour réaliser la coupe.
2. Maintenez la tête de la scie en position abaissée jusqu'à ce que la lame s'arrête complètement. Remettez la tête de la scie en position élevée (UP). Retirez l'ouvrage.

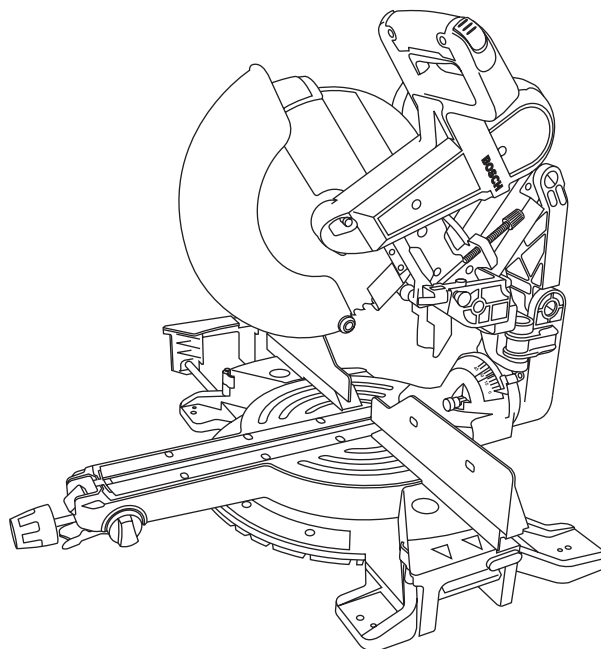


Figure 42. Coupe de cisaillement

Opérations de la scie

Coupes coulissantes

Qu'est-ce qu'une coupe coulissante – Fonctions de la scie

- Une « coupe coulissante » est effectuée avec l'ensemble de tête déverrouillé et capable de s'éloigner du guide. Ce mouvement est supporté et contrôlé de façon précise par le système coulissant axial. Cette méthode permet d'utiliser la capacité de coupe transversale maximum.
- Une coupe coulissante est idéale pour la coupe transversale d'ouvrages aux dimensions plus grandes que pour une coupe de cisaillement – des morceaux de matériau plus larges que 5-1/2 po et jusqu'à une largeur maximum de 13-3/8 po à travers.

AVERTISSEMENT Ne tirez JAMAIS la scie vers vous pendant une coupe. La lame pourrait grimper tout à coup au-dessus de l'ouvrage et se projeter avec force contre vous.

Préparation en vue d'une coupe coulissante

1. Placez la tête de la scie dans la position élevée (UP).
2. Désengagez le levier de verrouillage du mécanisme (article 27 – page 117) en appuyant sur la languette en forme de doigt. Avec l'ensemble de tête en position élevée (UP), déplacez-le à fond vers l'avant et vers l'arrière pour vous assurer que le système coulissant axial fonctionne régulièrement et en douceur.
3. Positionnez correctement votre ouvrage et assujettissez-le fermement sur la table et/ou contre le guide avec une bride de fixation.

AVERTISSEMENT Utilisez une position assujettie qui ne fait pas obstacle au mouvement de l'outil. Avant de mettre l'outil en marche (« ON »), abaissez l'ensemble de tête pour vous assurer que la bride de fixation n'entrave pas le dispositif de protection ou l'ensemble de tête.

Réalisation d'une coupe coulissante

1. Saisissez la poignée de l'interrupteur et tirez sur l'ensemble de tête de scie (en position élevée – « UP ») pour l'éloigner du guide – voir la flèche 1 à la Figure 43.
2. Activez l'interrupteur, puis abaissez complètement l'ensemble de tête de scie – sur les matériaux de grandes dimensions, cette action peut également déclencher la coupe – voir la flèche 2 à la Figure 43.
3. Appuyez vers le bas et vers l'arrière pour que l'ensemble de tête de scie avance vers le guide et en position totalement reculée jusqu'à ce que vous ayez terminé la coupe. Voir la flèche 3 à la Figure 43. REMARQUE : si vous constatez beaucoup de résistance, n'appliquez pas une force excessive – arrêtez de couper, attendez que la lame ait cessé de bouger et recherchez la cause du problème.
4. Maintenez la tête de la scie abaissée jusqu'à ce que la lame cesse complètement de tourner. Remettez la tête de la scie en position élevée (UP) et retirez l'ouvrage.

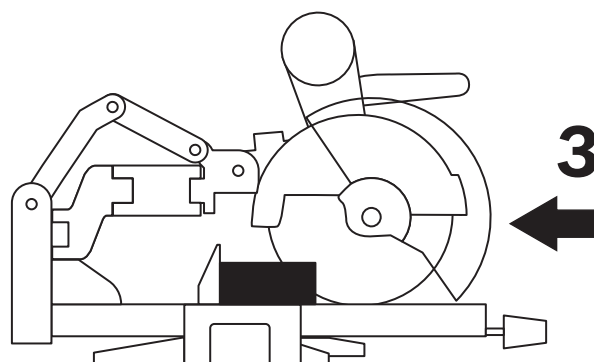
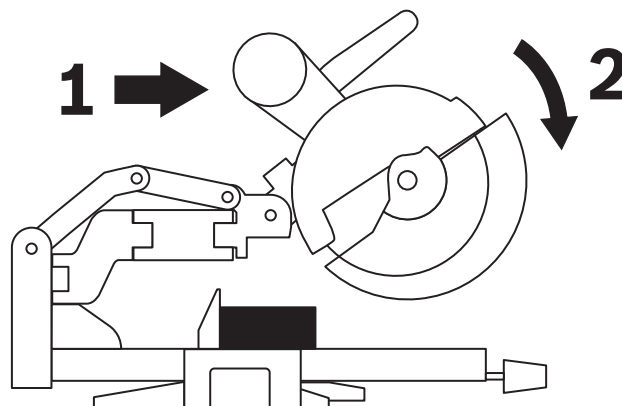


Figure 43. Coupe coulissante

Opérations de la scie

Coupes d'onglet

Qu'est-ce qu'une coupe d'onglet – Fonctions de la scie

- Une « coupe d'onglet » est une coupe transversale effectuée avec la lame perpendiculaire à la table horizontale. La lame n'est pas inclinée et les pointeurs de biseau sont tous les deux sur les traits à 0°.
- Des coupes d'onglet peuvent être effectuées à n'importe quel angle à travers un ouvrage dans les limites de la plage de fonctionnement de cette scie, depuis 52° vers la gauche jusqu'à 60° vers la droite.
- L'échelle d'onglet montre l'angle de la lame par rapport au guide de la scie. Le pointeur d'onglet est attaché à la plaque tournante et indique la position d'onglet de la scie avant que la coupe ne soit effectuée.
- Dix détentes positives existent pour des angles d'onglet prédéterminés rapides et précis – les emplacements sont à 45°, 31,6°, 22,5° et 15° à gauche et à droite, et au centre à 0°. Le côté droit a une détente additionnelle de 60°.

- Les détentes pour moulures de couronnement à gauche et à droite sont à 31,6° pour une coupe composée de moulure de couronnement à 38° (« spring angle » – angle formé entre la paroi et la moulure de couronnement) avec pose à plat sur la table (voir la rubrique consacrée à la coupe de moulures de couronnement à la page 153).
- Pour des réglages très précis à des angles d'onglet très proches des détentes d'onglet, utilisez le système de neutralisation de détente d'onglet pour empêcher la détente de s'engager automatiquement dans la fente de détente. Voir les instructions relatives à la neutralisation de la détente à la page 141.
- Une coupe d'onglet peut être effectuée soit comme coupe de cisaillement, soit comme coupe coulissante, en fonction de la largeur de l'ouvrage.
- Les éléments amovibles pour traits de scie doivent être ajustés aussi près de la lame que possible afin de réduire les risques d'éclatement du bois (voir les instructions relatives aux éléments amovibles pour traits de scie à la page 128).

Lecture de l'échelle d'onglet

L'échelle d'onglet utilisée sur cette scie inclut plusieurs échelles d'informations pour aider l'utilisateur à fixer de façon précise les réglages de la scie avant de faire les coupes (voir Figure 44).

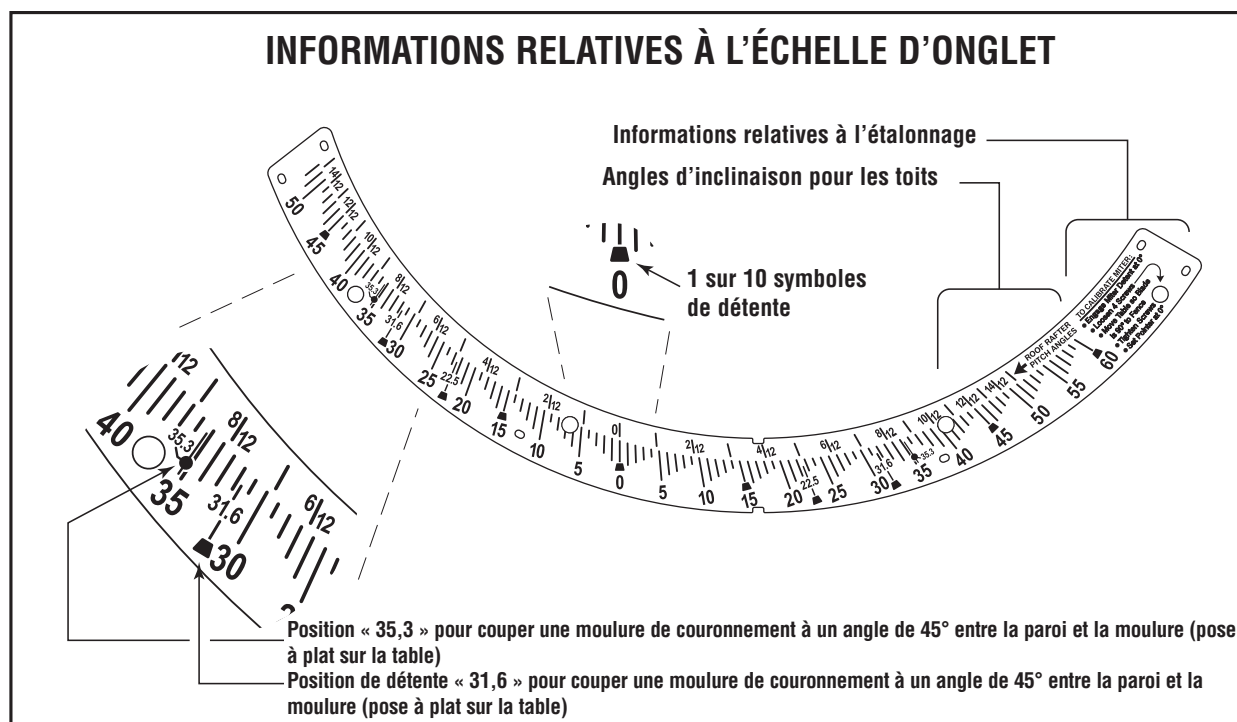


Figure 44. Informations relatives à l'échelle d'onglet

Opérations de la scie

Coupes d'onglet

Informations relatives aux angles d'inclinaison – La section supérieure de l'échelle d'onglet montre les réglages d'angles requis pour couper des chevrons de toiture en utilisant le système « Pitch Angle » (angle d'inclinaison). 2/2, 4/12, 6/12, etc. sont tous des angles d'inclinaison. Le système est basé sur l'utilisation des « pouces » anglais. Un toit à angle d'inclinaison de 6/12 est égal à un rapport de 6 po à la verticale pour chaque longueur horizontale de 12 po (voir la Figure 45).

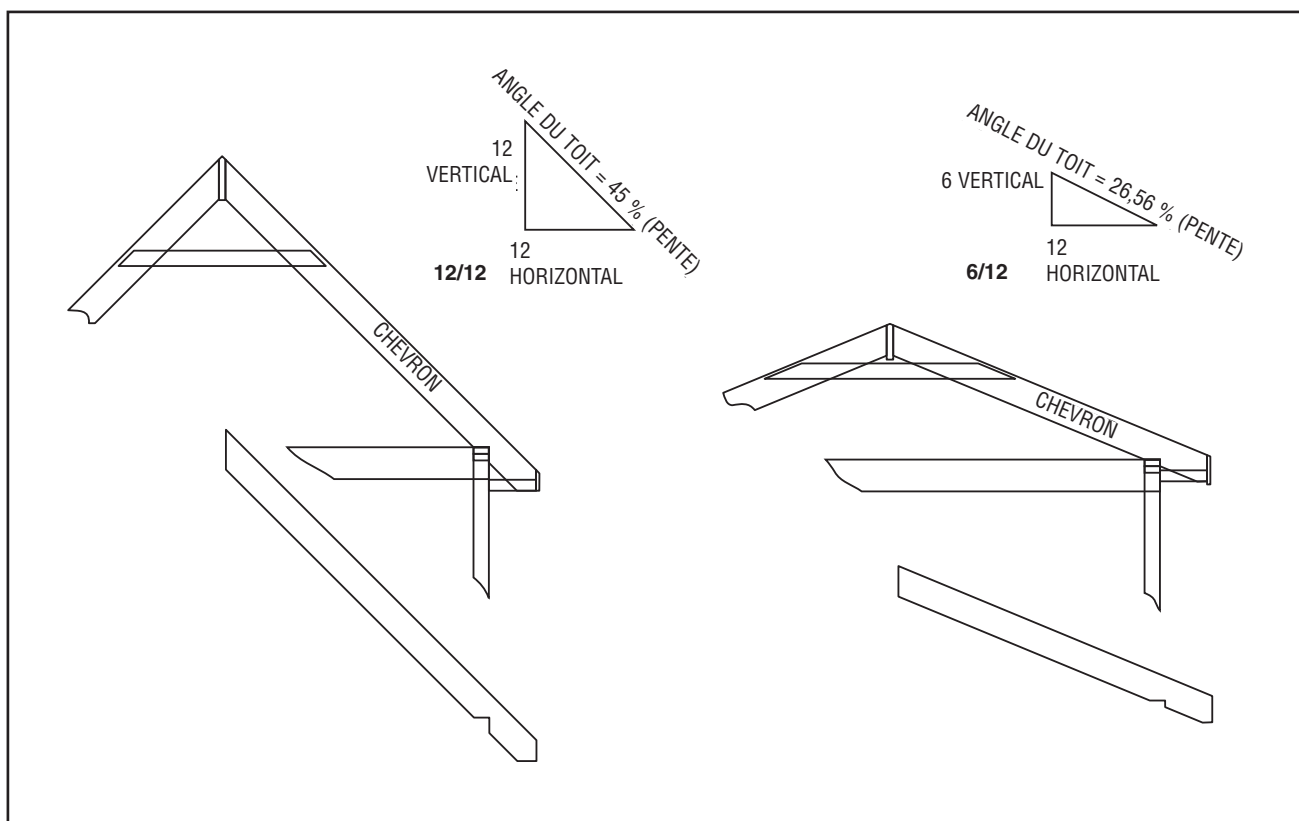


Figure 45. Coupe à un angle d'inclinaison – Chevrons de toitures communs

Informations relatives aux moulures de couronnement – Il existe des réglages de positions d'onglet pour effectuer des coupes composées de moulures de couronnement à plat sur la table. Une moulure de couronnement avec un angle de 38° entre la paroi et la moulure utilise le réglage 31,6 (avec détente) et une moulure de couronnement avec un angle de 45° entre la paroi et la moulure utilise le réglage 35,3. REMARQUE : cette méthode de coupe nécessite également que des angles de biseau spécifique soient fixés – voir la rubrique consacrée à la coupure de moulures de couronnement à la page 153.

Opérations de la scie

Coupes d'onglet

Coupes d'onglet pour des plinthes de 6-1/2 po de haut – Cette scie peut faire des coupes d'onglet pour des plinthes de 6-1/2 po de haut positionnées verticalement contre le guide à n'importe quel angle entre 0° et 52°. Toutes les coupes obliques doivent être faites avec la plinthe placée du côté gauche de la table. Pour certaines coupes, il sera nécessaire de retourner la plinthe sens dessus dessous ou de la placer avec le côté visible contre le guide. Utilisez toujours une bride de type « col de cygne » pour maintenir la plinthe contre le guide avant de commencer la coupe. REMARQUE : aucun placement spécial n'est requis pour couper des plinthes standard jusqu'à 4-1/4 po de haut, et des coupes d'onglet peuvent être effectuées à n'importe quel angle à gauche ou à droite.

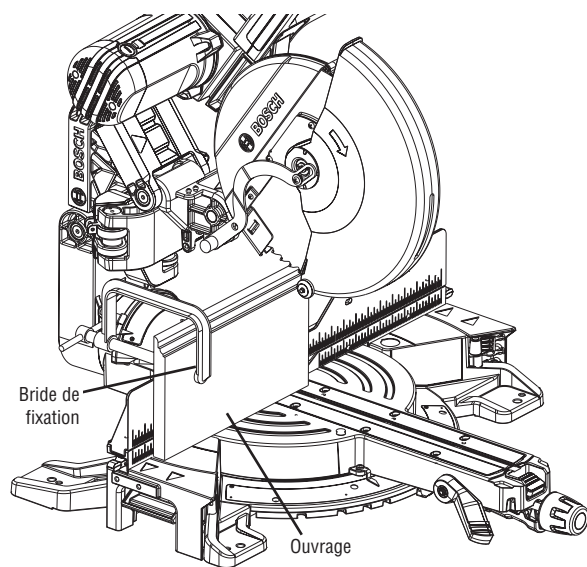


Figure 46

Réglage de la scie pour effectuer une coupe d'onglet

1. Voir la rubrique consacrée à l'utilisation des détentes d'onglet à la page 141.
2. Desserrez le bouton de verrouillage d'onglet. Soulevez le levier de détente d'onglet et déplacez la scie jusqu'à l'angle désiré en utilisant soit les détentes, soit l'échelle d'onglet. Serrez ensuite le bouton de verrouillage d'onglet (voir Figure 47).
3. Étendez les rallonges de la base et le guide du côté sur lequel la coupe sera effectuée (voir la rubrique consacrée au support de l'ouvrage à la page 137).
4. Positionnez adéquatement l'ouvrage. Assurez-vous que l'ouvrage est assujéti fermement sur la table ou contre le guide.

AVERTISSEMENT Utilisez une position assujéti qui ne fait pas obstacle au mouvement de l'outil. Avant de mettre l'outil en marche (« ON »), abaissez l'ensemble de tête pour vous assurer que la bride de fixation n'entrave pas le dispositif de protection ou l'ensemble de tête.

5. Suivez les procédures pour faire une coupe de cisaillement ou une coupe coulissante, suivant le cas (voir pages 142-143).
6. Attendez que la lame de la scie s'arrête complètement avant de remettre la tête dans sa position relevée, puis retirez l'ouvrage.

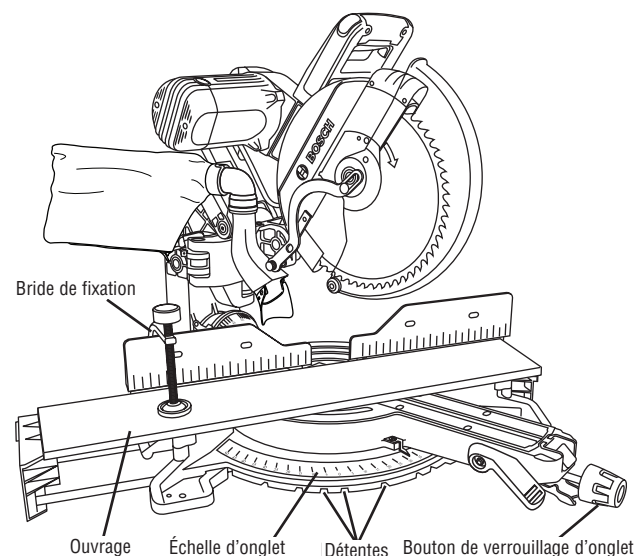


Figure 47. Coupe d'onglet

Opérations de la scie

Coupes en biseau

Qu'est-ce qu'une coupe en biseau – Fonctions de la scie

- Une « coupe en biseau » est une coupe transversale effectuée avec la table réglée sur l'angle d'onglet 0°. La lame peut être inclinée à n'importe quel angle dans la plage de fonctionnement de la scie : à gauche de 0 à 47° et à droite de 0 à 47° également.
- L'échelle de biseau a des dimensions et un positionnement qui permettent des lectures faciles – voir Figure 48.

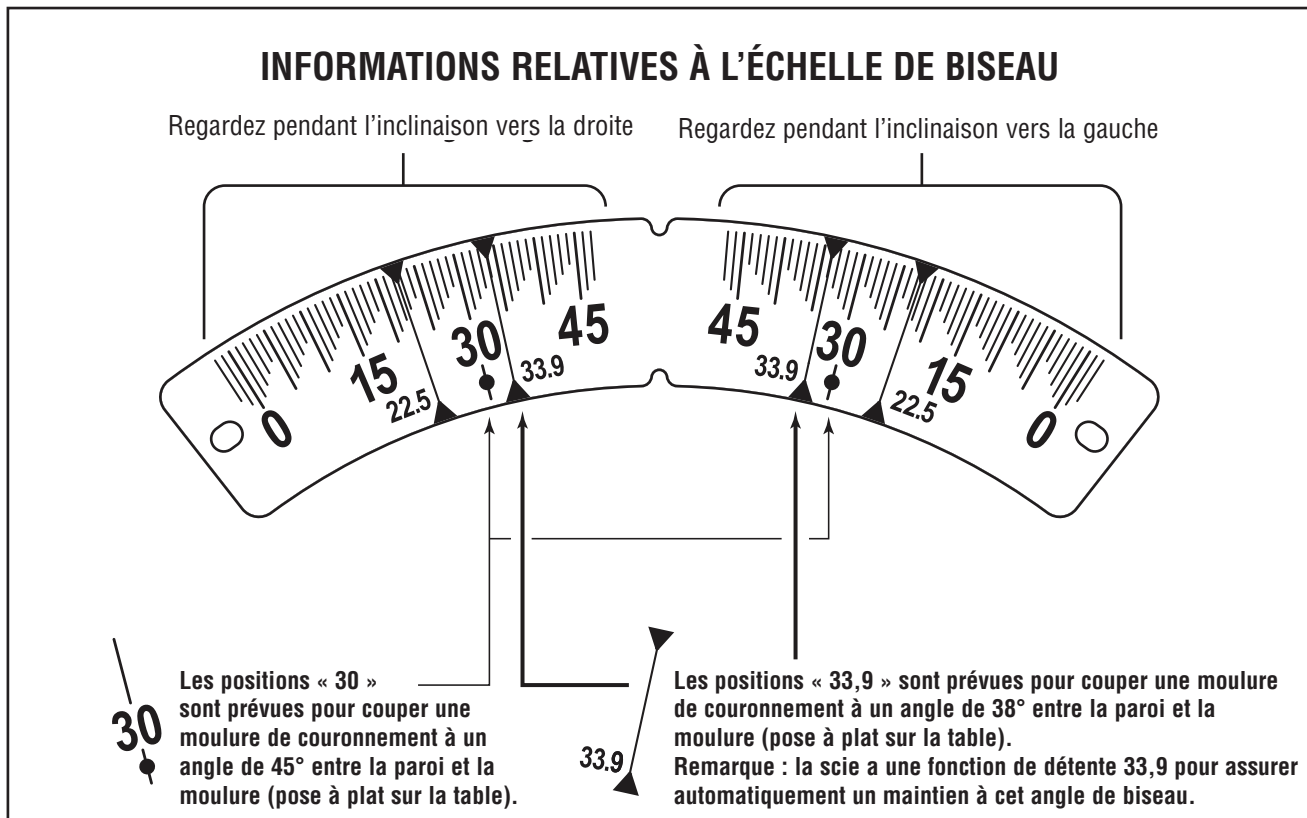


Figure 48. Informations relatives à l'échelle de biseau

Opérations de la scie

Coupes en biseau

Bouton du sélecteur de la plage de biseau – Cette scie a une commande avant du côté droit du bras de la table. Elle est appelée bouton du sélecteur de plage de biseau (Bevel Range Selector Knob) (article 41 – page 117). Elle est liée aux butées et aux mécanismes de verrouillage à l'arrière qui contrôlent la capacité de positionnement rapide et précis de l'outil afin de réaliser des coupes en biseau. Il y a des butées positives aux angles importants (45° à gauche, 0° (à la verticale) et 45° à droite (voir Figure 49)).

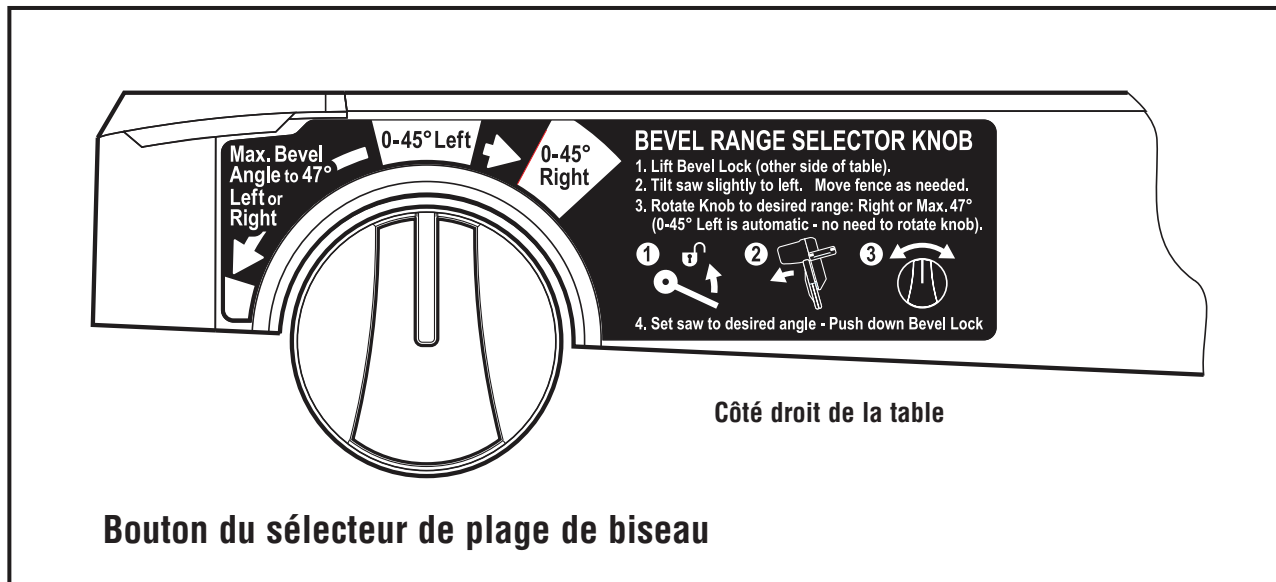


Figure 49. Bouton du sélecteur de plage de biseau – Côté droit de la table

Opérations de la scie

Coupes en biseau

Utilisation du bouton du sélecteur de plage de biseau

Plage de biseau 1 = 0-45° à gauche

Cette plage de biseau à gauche est le réglage par défaut.

Travail dans la plage de biseau 1 :

1. Déplacez le guide coulissant de gauche vers l'extérieur afin de dégager du champ de l'ensemble de scie et verrouillez à nouveau (Figure 51).
2. Soulevez le levier de verrouillage du biseau au-dessus de la hauteur de la table avec la main gauche.
3. Saisissez la poignée principale avec la main droite et inclinez l'ensemble de scie à l'angle désiré.
4. Une fois dans la position de biseau désirée, tenez l'ensemble de scie avec la main droite et utilisez votre main gauche pour appuyer à fond sur le levier de verrouillage du biseau au-dessous de la hauteur de la table.

REMARQUE : sans mettre la scie en marche (« ON »), effectuez une coupe fictive afin de vous assurer que le guide puisse aller au-delà des dispositifs de protection et ajustez si nécessaire.

Plage de biseau 2 = 0-45° à droite

Travail dans la plage de biseau 2 :

1. Déplacez le guide coulissant de droite vers l'extérieur afin de dégager du champ de l'ensemble de scie et verrouillez à nouveau (Figure 51).
2. Soulevez le levier de verrouillage du biseau au-dessus de la hauteur de la table avec la main gauche.
3. Saisissez la poignée principale avec la main gauche et inclinez légèrement l'ensemble de scie vers la gauche tout en faisant tourner le bouton du sélecteur de plage de biseau à ressort avec la main droite afin que l'indicateur du bouton soit orienté vers le réglage « 0-45° à droite » figurant sur l'étiquette (0-45° Right).
4. Une fois dans la position de biseau désirée, tenez l'ensemble de scie avec la main droite et utilisez votre main gauche pour appuyer à fond sur le levier de verrouillage du biseau au-dessous de la hauteur de la table.

REMARQUE : lorsque l'ensemble de scie est incliné vers la gauche au-delà de 0°, le bouton de contrôle du biseau reviendra automatiquement à la plage de biseau par défaut 1. Ceci permet de réinitialiser la butée de biseau à la valeur fixée à l'usine pour la position importante de 0°.

Plage de biseau 3 = Angle de biseau max. à 47° vers la gauche ou vers la droite

Ce réglage de la plage de biseau de pleine capacité se substitue à toutes les butées établies à l'usine et permet de couper à des angles de biseau au-delà de la limite normale de 45° d'un côté ou de l'autre.

Travail dans la plage de biseau 3 :

1. Déplacez les guides coulissants de gauche et de droite vers l'extérieur afin de les dégager du champ de l'ensemble de scie et verrouillez à nouveau (Figure 51).
2. Soulevez le levier de verrouillage du biseau au-dessus de la hauteur de la table avec la main gauche.
3. Saisissez la poignée principale avec la main gauche et inclinez légèrement l'ensemble de scie vers la gauche tout en faisant tourner le bouton du sélecteur de plage de biseau à ressort avec la main droite afin que l'indicateur du bouton soit orienté vers le carré rouge au-dessous de la mention « Angle de biseau max. à 47° vers la gauche ou vers la droite » figurant sur l'étiquette (Max. Bevel Angle to 47° Left or Right).
4. Une fois dans la position de biseau nécessaire, tenez l'ensemble de scie avec la main droite et utilisez votre main gauche pour appuyer à fond sur le levier de verrouillage du biseau au-dessous de la hauteur de la table.

REMARQUE : le bouton du sélecteur restera dans cette position de « neutralisation ». Tournez le bouton légèrement dans le sens des aiguilles d'une montre et il reviendra automatiquement à la plage de biseau 1 (position par défaut).

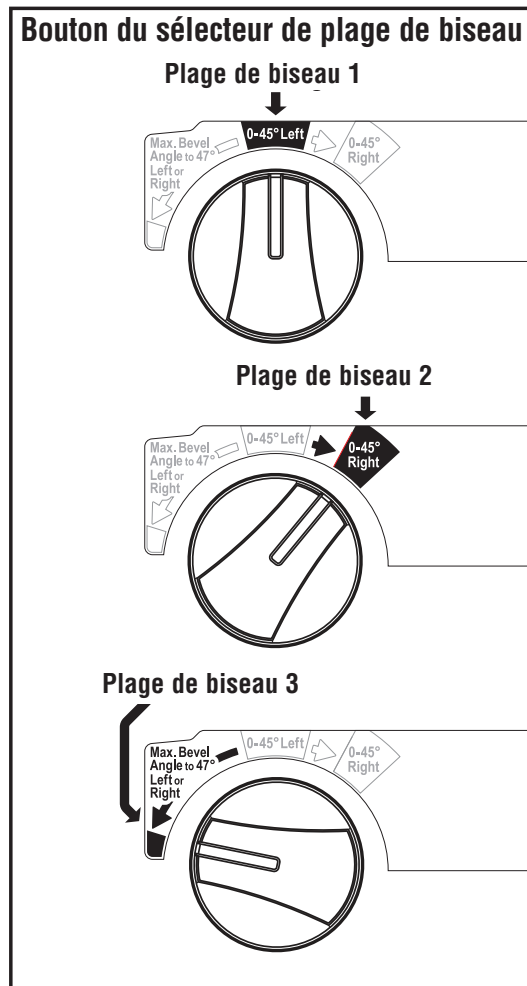


Figure 50

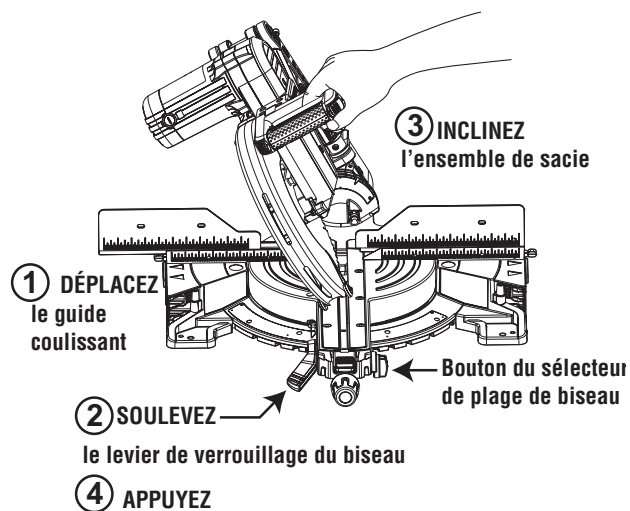


Figure 51

Opérations de la scie

Coupes en biseau

Butées des angles de biseau et détentes

- La scie a des butées d'angles de biseau qui permettent un arrêt aux angles critiques : 45° à gauche, 0° et 45° à droite. Ces valeurs sont réglées à l'usine et ne nécessitent pas de réglage de la part de l'utilisateur. Cependant, il est possible que cet outil nécessite un nouveau réglage s'il a subi un choc important ou au bout d'une période d'utilisation prolongée.
- La scie est pourvue d'un goujon pour détente d'angle de biseau qui ne peut être engagé qu'à 33,9° à gauche ou à droite – c'est l'angle de biseau requis lors d'une coupe de moulure de couronnement ayant un angle de 38° entre la paroi et la moulure avec pose à plat sur la table. REMARQUE : si le goujon pour détente de biseau s'engage automatiquement à 33,9° et empêche l'inclinaison de la scie à un autre angle, tirez-le simplement vers l'avant et faites tourner sa broche transversale d'un quart de tour pour qu'il repose en position désengagée. Si le goujon est coincé en position engagée, inclinez la tête de la scie et faites-la basculer d'un côté à l'autre tout en tirant dessus (voir Figure 52).

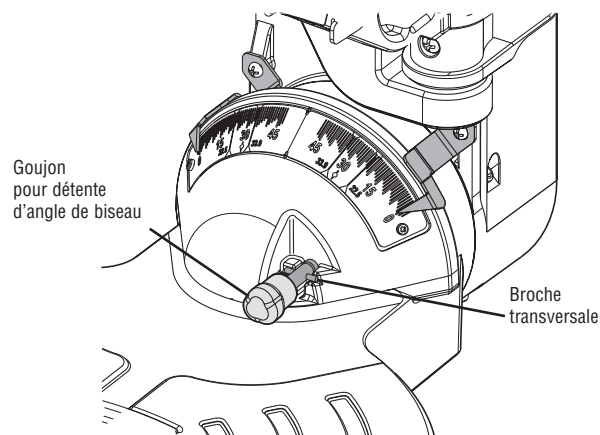


Figure 52. Broche transversale désengagée pour la plage complète de coupes en biseau

Réglage de la scie pour effectuer une coupe en biseau

1. Soulevez le levier de verrouillage du biseau pour déverrouiller (voir article 14 – page 116).
2. Choisissez la plage de biseau désirée en utilisant le bouton du sélecteur de plage de biseau. REMARQUE : si l'ensemble de tête est dans la position 0° et en déplacement vers la « Plage 0-45° », il peut être nécessaire de déplacer légèrement l'ensemble de tête vers la gauche avant que le bouton du sélecteur puisse être tourné.
3. Saisissez la poignée principale et inclinez l'ensemble de tête de scie jusqu'à l'angle désiré tout en regardant l'un des pointeurs d'angle de biseau – observez le pointeur de droite en cas d'inclinaison vers la gauche ou le pointeur de gauche en cas d'inclinaison vers la droite.
4. Continuez à tenir la scie et appuyez sur le levier de verrouillage du biseau (avec la main gauche) pour verrouiller. Relâcher ensuite l'outil.
5. Suivez les procédures pour une coupe de cisaillement ou une coupe coulissante par ailleurs dans ce mode d'emploi.

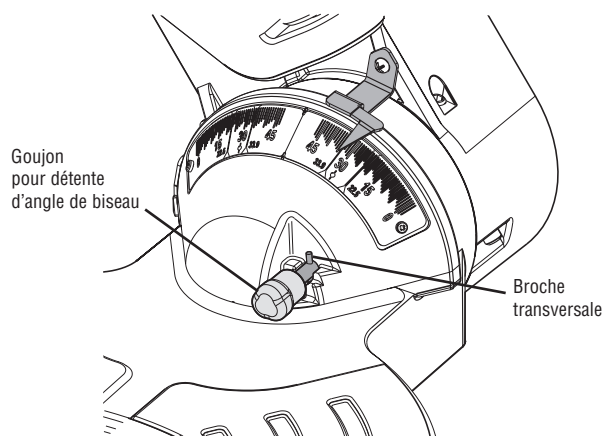


Figure 53. Broche transversale engagée pour une coupe en biseau à 33,9°

Opérations de la scie

Coupes composées

Qu'est ce qu'une coupe composée – Fonctions de la scie

- Une « coupe composée » est une coupe transversale unique réalisée avec la lame de scie réglée à l'avance sur deux angles combinant un angle d'onglet (par rapport au guide vertical) et un angle de biseau (par rapport à la table horizontale).
- Les angles d'onglet seront avec la table tournée en s'éloignant de 0° et à l'intérieur de cette plage de la scie, entre 52° à gauche et 60° à droite.
- Un angle de biseau est quand la lame est inclinée en s'éloignant de 0°. Cette plage de la scie est entre 47° à gauche et 47° à droite. REMARQUE : si le goujon de détente du biseau s'engage automatiquement à 31,6° et empêche l'inclinaison de la scie à un autre angle, tirez-le simplement vers l'avant et faites tourner sa broche transversale d'un quart de tour pour qu'il repose en position désengagée. Si le goujon est coincé en position engagée, inclinez la tête de la scie et faites-la basculer d'un côté à l'autre tout en tirant dessus.
- Une coupe composée peut être effectuée comme coupe de cisaillement ou comme coupe coulissante.
- La coupe de moulures de couronnement à plat sur la table nécessite des coupes composées. Voir la rubrique consacrée à la coupe de moulures de couronnement à la page 153.

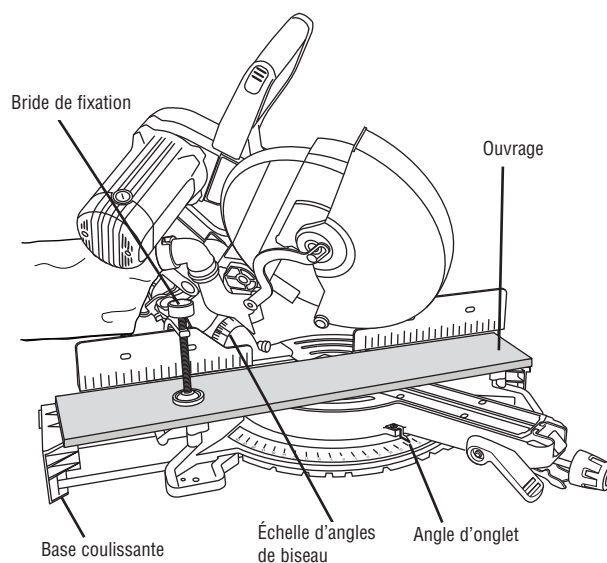


Figure 54. Coupe composée

Opérations de la scie

Coupe de rainures

Le réglage de profondeur s'utilise pour faire des rainures dans une pièce.

Le réglage de profondeur s'utilise pour limiter la profondeur de la lame lors du sciage de rainures .

REMARQUE : lisez et comprenez toutes les instructions à la page 127 de la section Réglages sous la rubrique « Réglage de la profondeur de la lame pour les coupes non traversantes afin de couper des rainures ».

REMARQUE : pour obtenir les meilleurs résultats possibles, Bosch recommande l'utilisation d'une scie circulaire à table avec un jeu de lames à rainurer en option pour couper des rainures et pour faire des coupes non traversantes. Si une telle scie n'est pas disponible, la fonctionnalité décrite ci-dessous est une autre possibilité pratique.

Sciez en coulissant pour faire des rainures .

1. Pour régler la profondeur des rainures, tirez sur la plaque de butée pour la profondeur de coupe et faites tourner la vis de butée pour la profondeur de coupe. Si vous faites tourner cette vis dans le sens des aiguilles d'une montre, cela élèvera la lame de la scie, alors que si vous la faites tourner dans le sens contraire des aiguilles d'une montre, cela abaissera la lame.
2. Pour faire des petits réglages, il suffit de tourner le boulon de butée de profondeur pour le mettre à la position désirée.

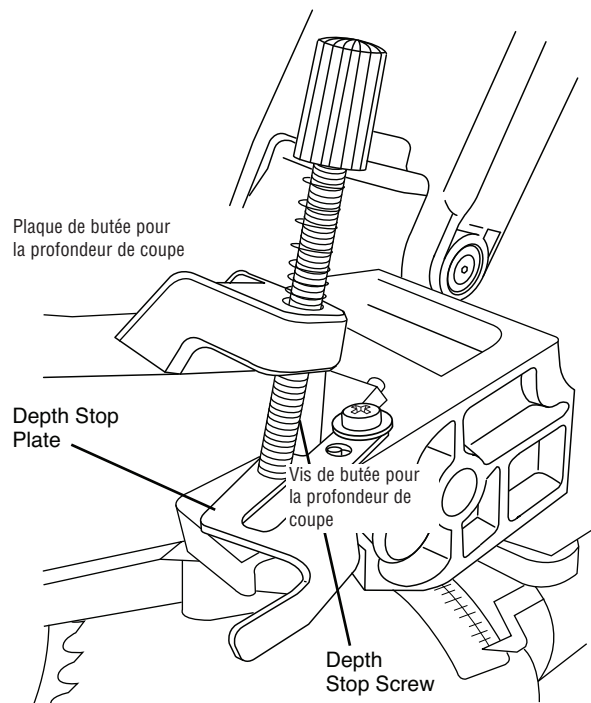


Figure 55. Coupe de rainures

3. Serrez l'écrou moleté.

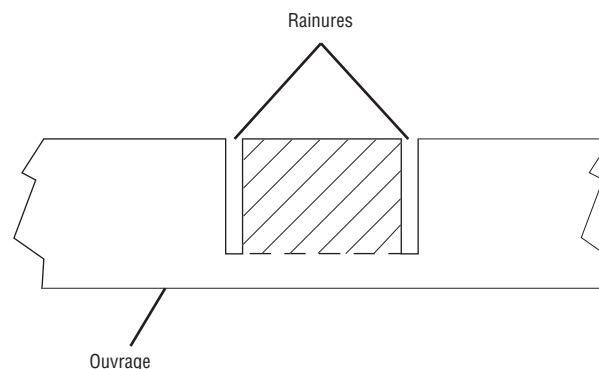


Figure 56. Rainure coupée grossièrement

4. Après avoir coupé une rainure, éteignez la scie (« OFF ») et attendez que la lame cesse de tourner.
5. Pour retirer du matériau entre deux coupes, déplacez l'ouvrage vers la droite ou vers la gauche. La scie doit s'être arrêtée complètement avant que vous ne déplaciez l'ouvrage.

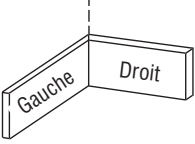
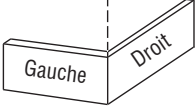
Opérations de la scie

Coupe de moulures de base

Les moulures de base peuvent être sciées en position verticale contre le guide ou à plat sur la table. La taille maximale qui peut être sciée verticalement sur le guide est de 4-1/4 po et de 10-1/4 po à plat sur la table.

Reportez-vous au tableau ci-dessous, vous y trouverez des conseils utiles pour le sciage de moulures de base pour des coins à 90°.

La coupe de moulures de base peut être pratiquée comme coupe de fente ou comme coupe par glissement, suivant la largeur de l'ouvrage.

INSTRUCTIONS DE COUPE DE MOULURES DE BASE					
POSITION DE LA MOULURE SUR LA SCIE →		Moulure en position verticale : Dos de la moulure contre le guide		Moulure en position horizontale : Dos de la moulure à plat contre la table	
Angle de biseau →		Biseau=0°		Biseau=45°	
Partie de la moulure sciée →		À gauche du coin	À droite du coin	À gauche du coin	À droite du coin
Coin intérieur du mur 	Angle d'onglet	Gauche à 45°	Droit à 45°	0°	0°
	Position de la moulure sur la scie	Fond contre la table	Fond contre la table	Dessus contre le guide	Fond contre le guide
	Côté fini	Gardez le côté gauche de la coupe	Gardez le côté droit de la coupe	Gardez le côté gauche de la coupe	Gardez le côté gauche de la coupe
Coin extérieur du mur 	Angle d'onglet	Droit à 45°	Gauche à 45°	0°	0°
	Position de la moulure	Fond contre moulure sur la scie	Fond contre la table	Fond contre le guide	Dessus contre le guide
	Côté fini	Gardez le côté gauche de la coupe	Gardez le côté droit de la coupe	Gardez le côté droit de la coupe	Gardez le côté droit de la coupe

Coupe de moulures en couronne

Les coupes de moulures de couronnement doivent être positionnées de façon appropriée pour assurer un réglage précis.

Il y a deux manières de scier des corniches, à plat sur la table ou en angle par rapport à la table et au guide.

L'angle de dévers de la corniche est l'angle entre l'arrière de la corniche et la surface plate inférieure qui est appliquée au mur.

La scie à onglets est dotée de crans d'onglet spéciaux à 31,5° et de biseau à 33,9°. Ces crans vous permettent de positionner facilement la plupart des corniches à plat sur la table et de faire des coupes précises pour des coins à 90°. REMARQUE : ces crans ne peuvent pas être utilisés avec les corniches à 45°. Ces crans ne fonctionnent qu'avec les corniches ayant un dévers de 38°.

Voir aussi pages 154 et 155 Vous y trouverez des tableaux qui vous donnent les angles d'onglet et de biseau à utiliser pour couper des corniches avec dévers de 38° et 45°. Chaque tableau fournit les angles d'onglet et de biseau exacts pour des coins d'angles très variés.

Bien que ces angles soient standards, les coins de la plupart des pièces ne sont pas exactement à 90°. Il sera donc nécessaire d'affiner votre réglage.

Le Bosch DAF220K Niveau/rapporteur/calculateur d'angles composés/rapporteur d'angle numérique MiterFinder en option permet de mesurer les angles de dévers et les angles de coins et de déterminer automatiquement les réglages exacts de l'onglet et du biseau qui sont nécessaires pour faire des coupes parfaites à chaque coin.

Opérations de la scie

Moulure de couronnement à un angle par rapport à la table et au guide

La méthode préférée pour couper une moulure de couronnement avec cette scie est de poser la moulure à plat sur la table.

L'avantage de cette méthode de coupe d'une moulure de façon oblique contre le guide est qu'aucun réglage de biseau n'est requis. Seul l'angle d'onglet doit être ajusté.

La largeur maximum de la moulure de couronnement qui peut être coupée avec un placement oblique par rapport à la table et au guide est de 6-1/2 po.

Lorsque vous coupez une moulure de couronnement de cette manière, il est recommandé d'acheter et d'utiliser le jeu de butée de couronnement en option (voir page 163).

Suivez ces instructions pour couper des moulures de couronnement avec un placement oblique par rapport à la table et au guide.

1. Positionnez la moulure de façon que le fond (la partie décorative, qui est installée contre le mur) est placé contre le guide.
2. Pour un coin à 90°, réglez l'angle d'onglet en utilisant le tableau ci-dessous. Serrez le bouton de verrouillage d'onglet.
3. Supportez la moulure de couronnement contre le guide (voir la rubrique consacrée à la position du corps et des mains à la page 28).
4. Suivez les procédures pour une coupe de cisaillement ou une coupe coulissante (voir pages 142-143).
5. Attendez que la lame cesse complètement de tourner avant de remettre l'ensemble de tête en position élevée et/ou de retirer l'ouvrage.

REMARQUE : faites toujours une coupe d'essai en utilisant un morceau de bois résiduel pour confirmer les angles corrects.

Moulure de couronnement avec un placement oblique contre le guide

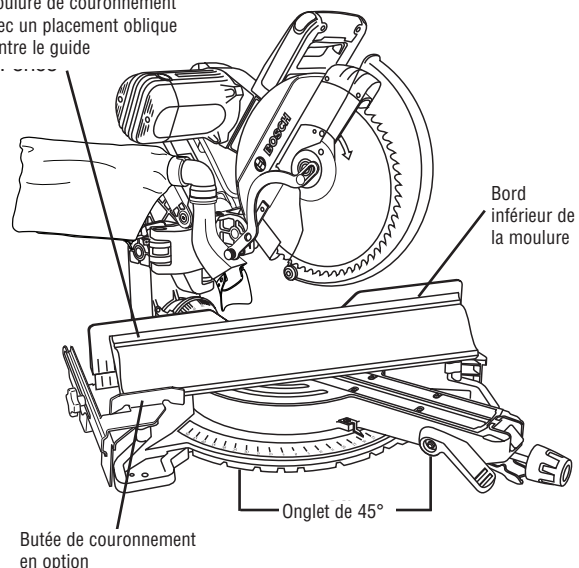
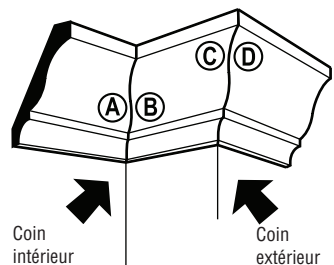
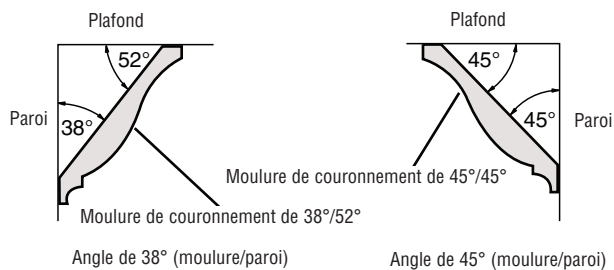


Figure 57. Moulure de couronnement avec un placement oblique par rapport à la table et au guide

Réglages des angles d'onglet et de biseau pour des coupes standard de moulures de couronnement (lorsque l'ouvrage est placé de façon oblique par rapport au guide)

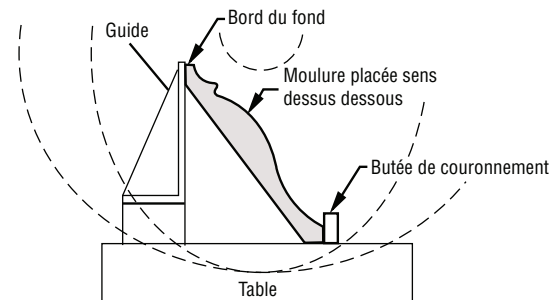
Hypothèses de travail : la moulure est fraisée de façon uniforme. Le coin est à un angle de 90°.

Pour les autres angles de coins, divisez la mesure réelle par 2.



Consulter le tableau

Pour toute moulure de couronnement jusqu'à 6 po		
Remarque : placez toujours le bord du fond contre le guide	Réglage d'onglet (table)	Réglage du biseau (inclinaison)
Coin intérieur – Extrémité de gauche (A) Utilisez l'extrémité gauche de la coupe	45° à droite	0° à gauche
Extrémité de droite (B) Utilisez l'extrémité droite de la coupe	45° à gauche	0° à droite
Coin extérieur – Extrémité de gauche (C) Utilisez l'extrémité gauche de la coupe	45° à gauche	0° à droite
Extrémité de droite (D) Utilisez l'extrémité droite de la coupe	45° à droite	0° à gauche



Coupe – Positionnement oblique par rapport à la table et au guide

Opérations de la scie

Mouleurs en couronne reposant à plat sur la table

REMARQUE : placez le dos de la pièce à plat sur la table

Placez toujours le bord supérieur de la corniche contre le guide (le bord décoratif se trouve en bas de la corniche).

L'angle de dévers est l'angle entre le mur et la corniche.

Selon la largeur de la pièce, on peut scier les corniches posées à plat sur la table soit en abaissant la lame soit en la faisant coulisser.

Référez-vous au guide auxiliaire spécial pour les coupes étroites lorsque vous coupez un couronnement à plat sur la table (voir page 156).

1. Pour les coins à 90°, réglez les angles d'onglet et de biseau en vous aidant des tableaux ci-dessous. Serrez le bouton de blocage de l'onglet et le bouton de blocage du biseau.
2. Placez la corniche à plat sur la table de la scie. Bridez la pièce à l'aide du serre-joint à action rapide.

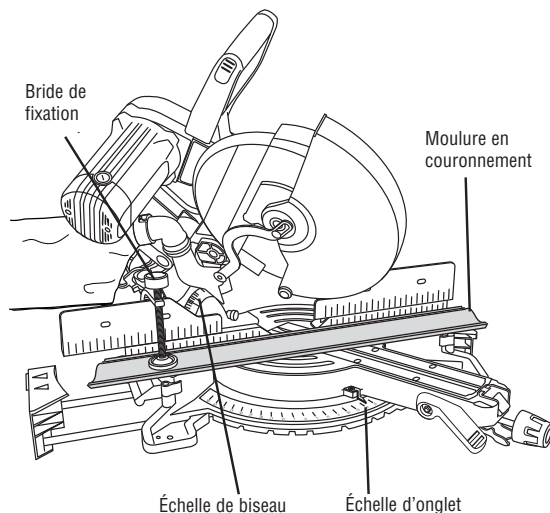
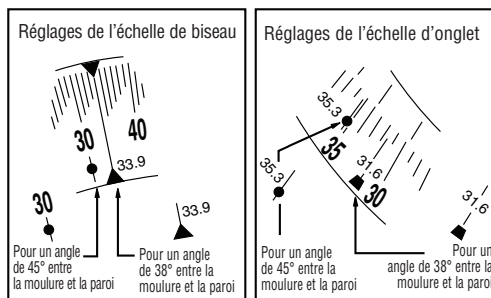


Figure 58. Moulure en couronne posée à plat

⚠ AVERTISSEMENT Utilisez une position de cramponnage qui ne gêne pas le fonctionnement. Avant de mettre en marche, abaissez la tête pour vous assurer d'un écartement suffisant entre le serre-joint, d'une part, et le protecteur et la tête, d'autre part.

3. Suivez les instructions pour la coupe de fente ou la coupe par glissement (voir pages 142-143).
4. Attendez que la lame s'immobilise complètement avant de remettre la tête à la position levée et/ou de retirer l'ouvrage.

REMARQUE : procédez toujours à une coupe d'essai à l'aide de matériaux de rebut pour confirmer les angles corrects.

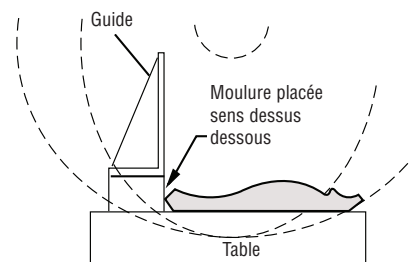
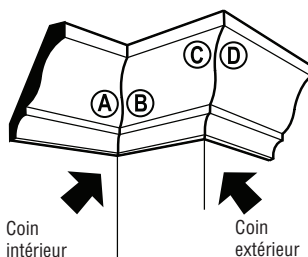
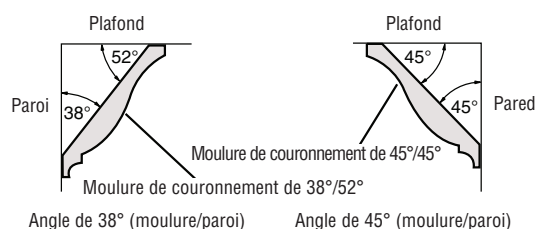


Réglages des angles d'onglet et de biseau pour scier des corniches standard

(Avec la moulure posée à plat sur la table) On supposera : que la corniche est usinée de manière régulière et que le coin est exactement à 90°

Angle de dévers de la corniche : 38°		
Remarque : Placez toujours le bord du haut contre le guide	Réglage d'onglet (table)	Réglage du biseau (inclinaison)
Coin intérieur – Extrémité de gauche (A) Utilisez l'extrémité gauche de la coupe	31,6° à droite	33,9° à gauche
Extrémité de droite (B) Utilisez l'extrémité droite de la coupe	31,6° à gauche	33,9° à droite
Coin extérieur – Extrémité de gauche (C) Utilisez l'extrémité gauche de la coupe	31,6° à gauche	33,9° à droite
Extrémité de droite (D) Utilisez l'extrémité droite de la coupe	31,6° à droite	33,9° à gauche

Angle de dévers de la corniche : 45°		
Remarque : Placez toujours le bord du haut contre le guide	Réglage d'onglet (table)	Réglage du biseau (inclinaison)
Coin intérieur – Extrémité de gauche (A) Utilisez l'extrémité gauche de la coupe	35,3° à droite	30° à gauche
Extrémité de droite (B) Utilisez l'extrémité droite de la coupe	35,3° à gauche	30° à droite
Coin extérieur – Extrémité de gauche (C) Utilisez l'extrémité gauche de la coupe	35,3° à gauche	30° à droite
Extrémité de droite (D) Utilisez l'extrémité droite de la coupe	35,3° à droite	30° à gauche



Opérations de la scie

Guide auxiliaire pour moulure de couronnement

AVERTISSEMENT Quand on scie en angle composé une corniche posée à plat sur la table, les chutes courtes (de longueur inférieure ou égale à 2 po) risquent d'être éjectées à haute vitesse, de passer par-dessus le guide et d'être projetées au-delà de l'arrière de la scie (voir Figure 59). Il faut utiliser un guide auxiliaire comme illustré aux figures ci-dessous.

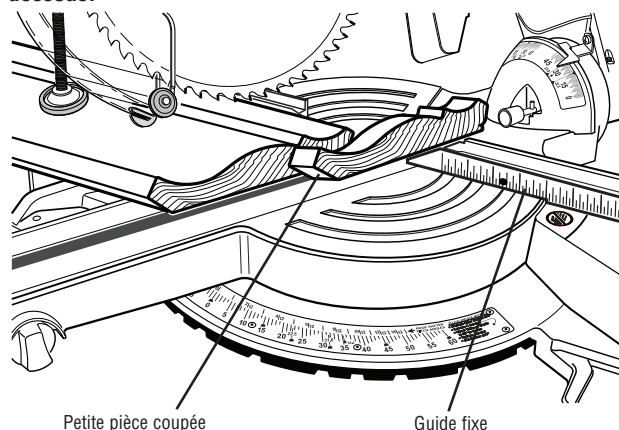


Figure 59. Pièce coupée au-dessus du guide

Un guide auxiliaire est utilisé pour ajouter du support à la partie détachée de l'ouvrage, comme dans le cas d'une grande moulure de couronnement positionnée à plat sur la table (voir Figure 60). Cela réduit les éclats et le mouvement de la chute qui n'est pas supportée après le sciage.

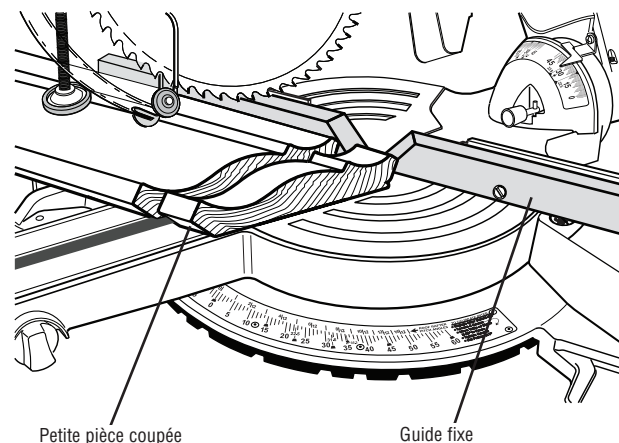


Figure 60. Pièce coupée arrêtée par le guide auxiliaire

Fabrication d'un guide auxiliaire :

Pièces nécessaires :

Planche en bois (décrite ci-dessous)

4 – Vis à machine à tête fraisée – 1/4 po de diamètre;

2-1/2 pouces de long

4 – Rondelles plates de 1/4 po

4 – Écrous

1. **Coupez** une planche de dimensions nominales 1 x 2 à une longueur de 26-1/16 po. Remarque : 1 x 2 pouces nominaux égalent 3/4 po x 1-1/2 po réel. On peut également utiliser du contre-plaqué de 3/4 po coupé à dimension.
2. **Percez** 4 trous débouchants dans la planche à l'aide d'un foret de diamètre 5/16 po. Fraisez les trous suffisamment profond pour que les têtes des vis fraisées ne dépassent pas de la surface frontale de la pièce – Fraisez avec un foret de 1/2 po. Voir figure 61.

Enlevez les guides coulissants de la machine – voir page 137.

1. Enfilez les vis à tête fraisée par les trous du guide auxiliaire, puis par ceux du guide fixe de la machine.
2. Placez les rondelles et les écrous sur les filets des vis et amenez-les contre le guide fixe. Serrez les écrous.

Première utilisation du guide auxiliaire :

Remarque : La première fois que vous utilisez le guide auxiliaire, il sera scié par la lame de scie – cela crée un jeu minimal, ce qui réduit les éclats sur la pièce. Réglez les angles d'onglet et d'inclinaison avant d'effectuer la première coupe. Bidez la pièce puis sciez-la – exemple de sciage en angle composé d'une grande corniche posée à plat sur la table. Voir figure 58.

Opérations de la scie

Guide auxiliaire pour moulure de couronnement

Guide auxiliaire — L'utilisation d'un guide auxiliaire lors de la coupe d'une moulure de couronnement posée à plat sur la table réduit les risques d'éclatement de votre ouvrage et le mouvement des petites pièces détachées de l'ouvrage. Retirez les guides coulissants de la scie (voir page 137) avant d'attacher le guide auxiliaire.

Construisez un guide auxiliaire en suivant le modèle ci-dessous – Matériau : morceau de bois de 3/4 po x 1 1/2 po.

Ajoutez 4 trous avec les dimensions indiquées sur le modèle – ou – **Ajoutez des trous en suivant la procédure ci-après :**

- 1) Coupez un morceau de bois aux dimensions extérieures indiquées et attachez-le temporairement au guide fixe de la scie en utilisant deux brides de fixation de type col de cygne.
- 2) Utilisez une mèche de perceuse de 1/4 po pour percer d'abord à travers les trous existants à l'arrière du guide fixe, puis à travers le bois.
- 3) Retirez le morceau de bois, fraisez la partie avant du bois et attachez le guide de la scie de façon permanente avec la quincaillerie indiquée ci-dessous.

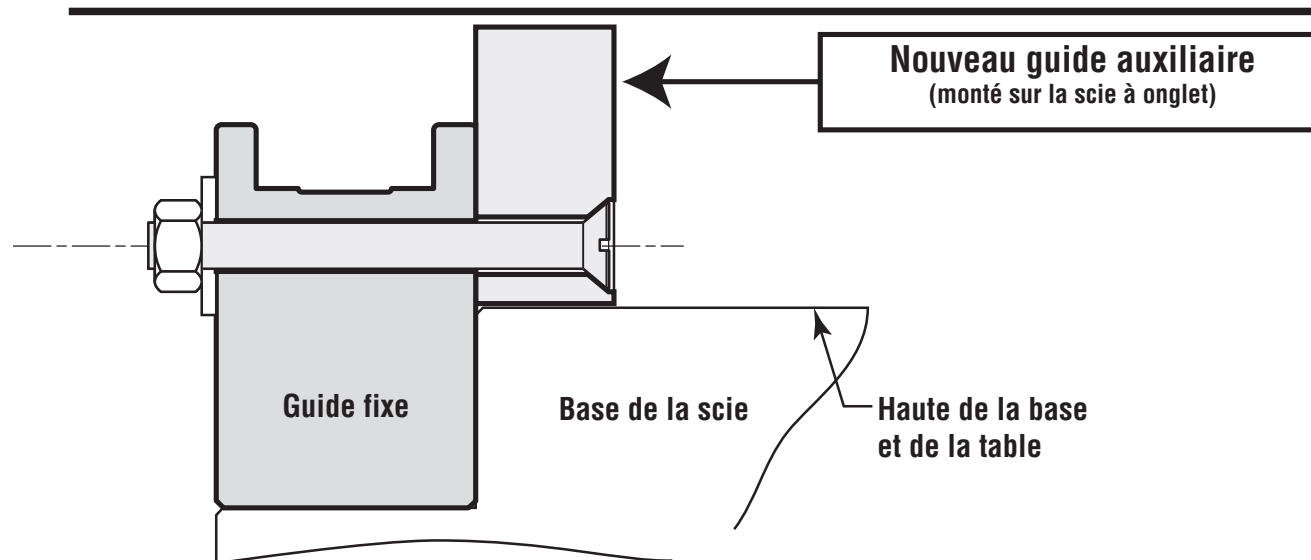
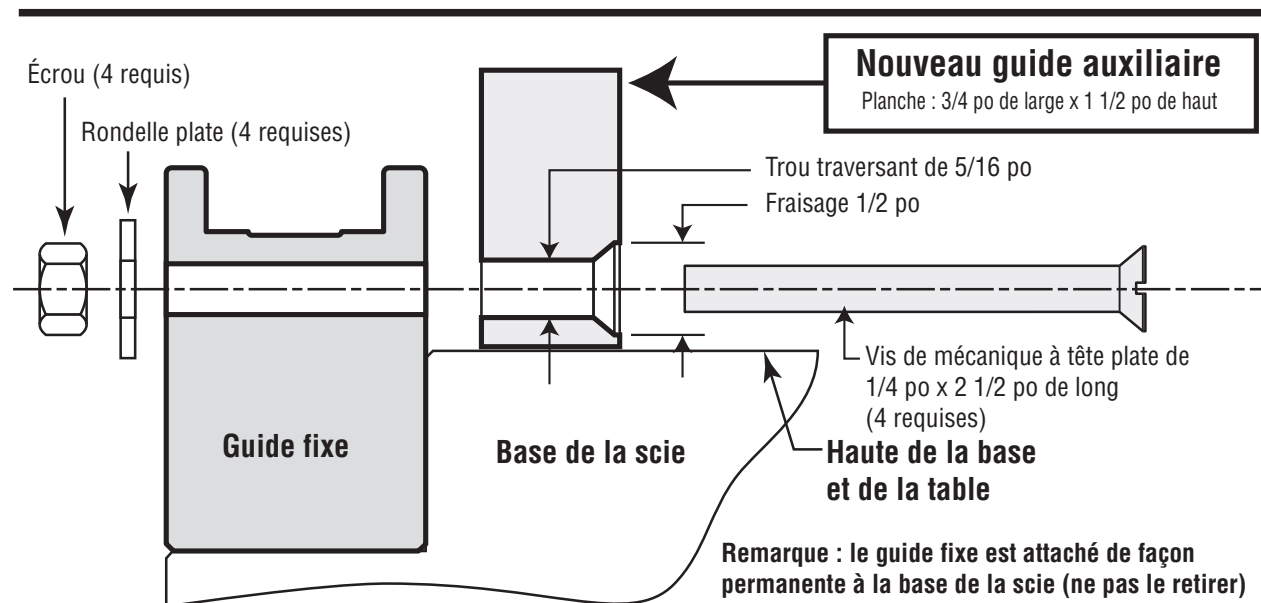
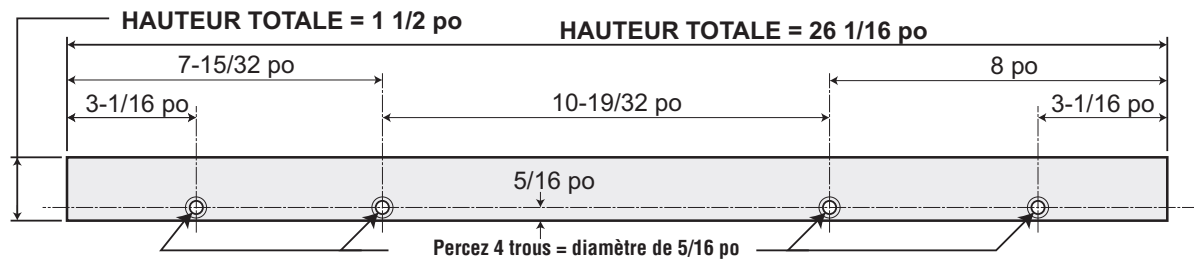


Figure 61
157.

Opérations de la scie

Coupes spéciales

Le sciage de pièces courbes ou de pièces rondes représente deux exemples de sciages spéciaux.

Coupe de matériaux courbés

Si l'ouvrage est courbé ou gondolé, cramponnez-le avec la face courbée extérieure dirigée vers le guide. Assurez-vous toujours de l'absence d'un écartement entre l'ouvrage, le guide et la table le long de la ligne de coupe. Les ouvrages pliés ou gondolés peuvent se tordre ou culbuter, et peuvent faire gripper la lame de scie en rotation durant la coupe (Figure 62).

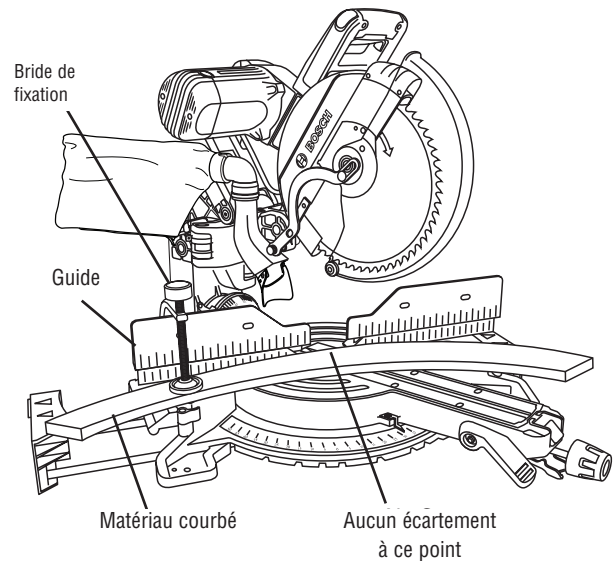


Figure 62. Matériau courbé

Coupe de matériaux ronds ou de forme irrégulière

Pour les matériaux ronds tels que les goujons ou les tubes, utilisez toujours un serre-joint ou un dispositif conçu de manière à cramponner l'ouvrage fermement contre le guide et la table. Les goujons ont tendance à rouler pendant qu'on les coupe, ce qui amène la lame à « mordre » et tire l'ouvrage et votre main dans la lame (Figure 63).

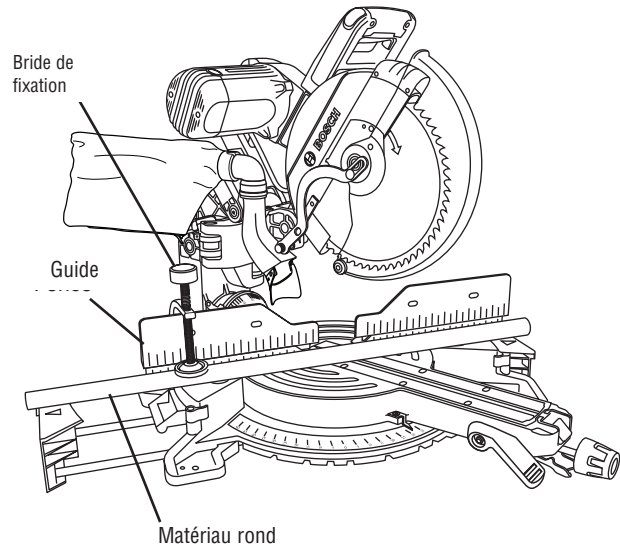


Figure 63. Matériau rond

Maintenance et lubrification

Entretien

⚠ AVERTISSEMENT L'entretien préventif effectué par des personnes non autorisées peut entraîner un positionnement erroné des composants et des fils internes, et ainsi causer des dangers sévères. Il est recommandé que l'entretien et la réparation de nos outils soient confiés à un centre de service-usine Bosch ou à un centre de service après-vente Bosch agréé.

Balais du moteur

Les balais et le collecteur de votre outil ont été conçus pour donner plusieurs heures de fonctionnement sans aléas. Pour maintenir le moteur en forme, nous recommandons d'examiner les balais tous les deux à six mois. Vous ne devriez utiliser que les balais de rechange d'origine Bosch qui conviennent spécialement à votre outil.

Remplacement des balais du moteur

Pour inspecter ou remplacer les balais :

1. Débranchez la scie.

⚠ AVERTISSEMENT Le capuchon de balai est chargé par ressort par l'ensemble de balai.

2. Retirez le capuchon de balai sur le moteur à l'aide d'un tournevis à lame plate large.
3. Tirez le balai vers l'extérieur (Figure 64). Répétez pour le côté opposé.

REMARQUE : si vous posez le ou les balais existants, assurez-vous que le balai est inséré de la même façon qu'il en est sorti. Sinon, il s'ensuivra une période de rodage qui réduira la performance du moteur et accroîtra l'usure des balais.

4. Inspectez les balais pour y relever tout signe d'usure. Une ligne de limite d'usure apparaît sur le côté plat large du balai. Si la face de contact du balai est à ou au-delà (aucune ligne visible) de la limite, remplacez les balais en ensemble.
5. Posez le nouveau balai. Les deux (2) languettes sur la borne du balai s'insèrent dans le même trou que celui dans lequel est insérée la pièce en carbone.
6. Serrez le capuchon de balai sans, toutefois, serrer excessivement.

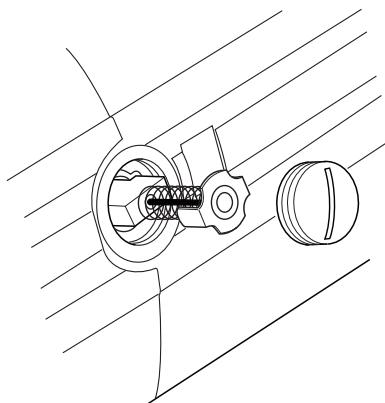


Figure 64. Balai du moteur

Courroie d'entraînement

La courroie de transmission est un composant ayant une longue durée de vie ; cependant, au bout d'un certain temps, il peut nécessiter un nettoyage ou un remplacement. De la sciure et des débris peuvent entrer à travers le système de ventilation et affecter la performance de la courroie. Il faut inspecter périodiquement la courroie de transmission pour s'assurer qu'elle n'est pas excessivement usée. Si la courroie montre des signes d'assèchement, de fissuration ou de déchirure, elle doit être remplacée. Si la courroie n'est plus alignée correctement ou si elle sort des poulies, il faut la remplacer. **Le remplacement de la courroie de transmission ne doit être effectué que par un centre de service après-vente agréé.**

Nettoyage / inspection de la courroie de transmission :

1. Débranchez la scie.
2. Retirez les deux vis du cache de la courroie en utilisant un tournevis à pointe cruciforme N° 2.

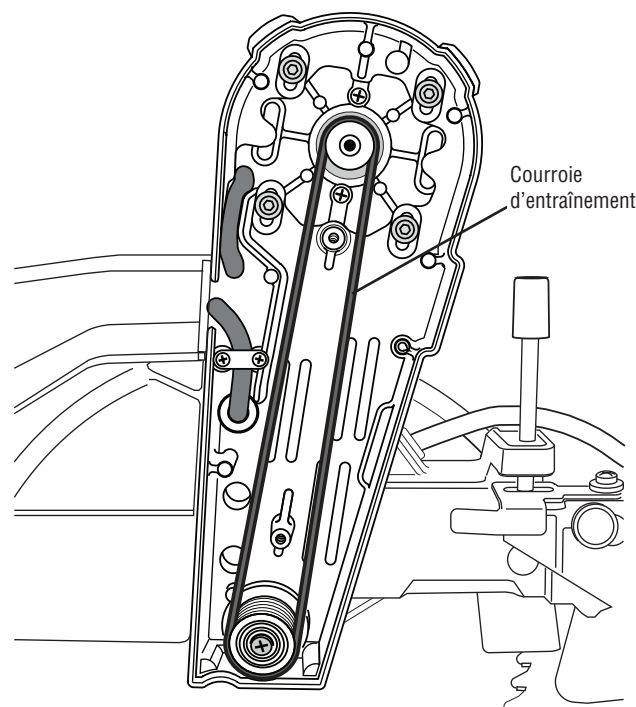


Figure 65. Courroie d'entraînement

3. Nettoyez la surface avec une brosse ou à l'air comprimé.
4. Inspectez la courroie. Si la courroie montre des signes d'assèchement ou de fissuration, ou si elle n'est pas assez tendue, elle nécessitera peut-être une opération de maintenance et/ou un remplacement.

⚠ AVERTISSEMENT Pour ne pas risquer de vous blesser, ne tentez pas de remplacer la courroie de transmission (son remplacement nécessite des outils spéciaux). Apportez la scie dans un centre de service après-vente Bosch agréé.

5. Remettez en place le cache de la courroie et les deux vis de fixation du cache.

Maintenance et lubrification

Nettoyage

⚠ AVERTISSEMENT Pour éviter le risque d'accidents, débranchez toujours l'outil de la prise de courant avant de procéder au nettoyage ou à l'entretien. Vous pouvez très bien le nettoyer à l'air sec comprimé. Dans ce cas, portez toujours des lunettes de sécurité.

Gardez les prises d'air et les interrupteurs propres et libres de débris. N'essayez pas de les nettoyer en introduisant des objets pointus dans leurs ouvertures.

Vérifiez régulièrement pour vous assurer que le protecteur inférieur et toutes les pièces en mouvement fonctionnent adéquatement.

Enlevez le bran de scie accumulé sur les pièces de travail en soufflant à l'aide d'air comprimé ou en essuyant avec un chiffon humide.

⚠ AVERTISSEMENT Certains produits de nettoyage et dissolvants dont la gazoline, le tétrachlorure de carbone, les nettoyeurs chlorés, l'ammoniaque et les détergents ménagers contenant de l'ammoniaque peuvent abîmer les pièces en plastique.

Entretien des lames

Les lames finissent par s'émousser, même à couper des pièces de bois régulières. Si vous constatez que vous devez forcer la scie à avancer plutôt que de la guider simplement vers la ligne de coupe, il est probable que la lame est émoussée ou souillée de résine.

Quand vous devez enlever la gomme et la résine de la lame de votre scie, débranchez d'abord la scie avant d'enlever la lame. Souvenez-vous que les lames sont des objets tranchants et qu'elles doivent être manipulées avec soin. Essuyez la lame avec du kérosène ou un dissolvant similaire pour enlever l'accumulation de gomme et de résine. À moins que vous soyez parfaitement familier avec l'affûtage des lames, nous vous déconseillons de l'essayer.

Graissage de l'outil

Votre outil Bosch a été convenablement graissé et est prêt à utiliser. Il est recommandé que les outils à engrenages soient regraissés avec une graisse spéciale à l'occasion de tout remplacement de balais.

Lubrifiez périodiquement les pièces en mouvement à l'aide de silicone ou d'huile légère en vaporisateur. N'utilisez pas de graisse parce qu'elle a tendance à attirer et retenir le bran de scie.

Roulements

Tous les roulements de cet outil sont lubrifiés à l'aide d'une quantité suffisante de lubrifiant de haute qualité pour toute la durée de l'outil dans des conditions normales d'utilisation. Aucune lubrification ultérieure n'est nécessaire.

Dépannage

Guide de dépannage – Électrique

PROBLÈME	CAUSE	ACTION CORRECTRICE
Le frein n'arrête pas la lame dans un délai de 5 secondes.	<ol style="list-style-type: none"> 1. Les balais ne sont pas calés ou ils adhèrent légèrement. 2. Le moteur a surchauffé en raison de l'utilisation d'une lame émoussée/ trop lourde, de l'utilisation d'un accessoire non recommandé ou de la mise en marche et à l'arrêt rapide. 3. Boulon de lame desserré. 4. Autre 	<ul style="list-style-type: none"> — Inspectez/nettoyez ou remplacez les balais (voir la section consacrée à la maintenance et à la lubrification) — Utilisez une lame affûtée. — Utilisez une lame recommandée. — Laissez la scie refroidir. — Serrez le boulon de lame. — Service agréé.
Le moteur ne démarre pas.	<ol style="list-style-type: none"> 1. Vérifiez que l'outil est branché. 2. Fusible. 3. Balais usés. 4. Autre 	<ul style="list-style-type: none"> — Branchez l'outil. Utilisez une prise différente. — Disjoncteur ou fusible temporisé de 15 A. — Voir la rubrique « Remplacement des balais du moteur » dans la section consacrée à la maintenance et à la lubrification. — Service agréé.
Lumière-éclair depuis le capuchon du moteur lorsque l'interrupteur est relâché.	<ol style="list-style-type: none"> 1. Situation normale — le frein fonctionne adéquatement. 	—

Dépannage

Guide de dépannage – Généralités

PROBLÈME	CAUSE	ACTION CORRECTRICE
L'ensemble de la tête ne s'incline pas à la position désirée.	<ol style="list-style-type: none"> 1 Le goujon de détente de biseau est engagé et il verrouille l'angle du biseau à 33,9°. 2. Le réglage du bouton d'effacement des crans de biseau limite le mouvement. 	<ul style="list-style-type: none"> – Tirez sur le goujon de détente de biseau à 33,9° pour le faire sortir, puis faites tourner le goujon d'un quart de tour pour le garder sorti. – Changez la position du bouton du sélecteur de plage de biseau (voir page 149).
La lame se heurte contre la table.	Défaut d'alignement .	– Service agréé.
L'angle de coupe n'est pas exact.	Les butées des angles de 0° et de 45° doivent faire l'objet d'un réglage.	– Voir section Réglages (pages 128-133).
Il n'est pas possible de faire tourner la table pour changer l'angle d'onglet.	<ol style="list-style-type: none"> 1. Le bouton de verrouillage de l'onglet est serré. 2. Le levier de détente d'onglet est engagé avec une détente (fente) dans la plaque de détente. 3. Accumulation de sciure de bois. 	<ul style="list-style-type: none"> – Tournez le bouton de verrouillage d'onglet dans le sens contraire des aiguilles d'une montre pour le desserrer. – Tirez sur le levier de détente d'onglet pour le désengager de la fente de détente (voir page 141). – Passez l'aspirateur sur la plaque tournante ou utilisez une soufflante pour chasser la sciure de bois qui s'y trouve ; portez un dispositif de protection des yeux.
La tête ne lève pas complètement ou le protecteur de lame ne se ferme pas complètement.	<ol style="list-style-type: none"> 1. Le goujon de verrouillage de l'ensemble de tête est engagé. 2. La plaque de recouvrement n'a pas été serrée après la remise en place de la lame. 3. Accumulation de sciure de bois. 4. Accumulation de sciure de bois. 	<ul style="list-style-type: none"> – Tirez sur le goujon de verrouillage pour le faire sortir en laissant l'ensemble de tête remonter (voir page 125). – Voir la rubrique consacrée au retrait et à l'installation des lames aux pages 121-122. – Nettoyez la tête. – Service agréé.
La lame grippe, se coince, brûle du bois. Coupes grossières.	<ol style="list-style-type: none"> 1. Opération inappropriée. 2. Lame émoussée. 3. Lame inappropriée. 4. Lame pliée. 	<ul style="list-style-type: none"> – Voir la section Opérations de la scie. – Remplacez ou affûtez la lame. – Remplacez par une lame de 12 po de diamètre conçue pour le matériau à couper. – Remplacez la lame.
La tête glisse vers l'avant et l'arrière en pratiquant une coupe de fente.	Le levier de verrouillage du mécanisme est désengagé.	Tirez sur la languette du levier de verrouillage du mécanisme pour l'engager (voir page 126).
L'angle du biseau n'est pas maintenu fermement quand on appuie sur le levier de verrouillage du biseau.	La tension du levier de verrouillage du biseau doit faire l'objet d'un réglage.	Augmentez la force du levier de verrouillage du biseau en réglant l'écrou de tension (voir page 133).
Il est difficile de faire avancer ou reculer le mécanisme coulissant.	Le contrôleur du mouvement coulissant est réglé de façon trop rigide.	Desserrez deux vis sur le contrôleur du mouvement (voir page 125).

Dépannage

Guide de dépannage – Généralités

PROBLÈME	CAUSE	ACTION CORRECTRICE
L'outil vibre ou tremble .	<ol style="list-style-type: none"> 1. La lame de scie n'est pas ronde. 2. La lame de scie est abîmée. 3. La lame de scie est desserrée. 4. Autre 	<ul style="list-style-type: none"> – Remplacez la lame. – Remplacez la lame. – Assurez-vous que la lame est bien en place sur la rondelle intérieure. Voir la rubrique Retrait et installation des lames aux pages 121-122. – Service agréé.
La tête ne glisse pas librement lorsque l'on tente une coupe par glissement.	Le levier de verrouillage du mécanisme est engagé.	Appuyez sur le levier de verrouillage du mécanisme pour désengager (voir page 126).
La lame ne coupe pas complètement l'ouvrage .	<ol style="list-style-type: none"> 1. La plaque de butée en profondeur est retirée pour les coupes non traversantes. 2. La lame de rechange a un diamètre inférieur à 12 po. 	<ul style="list-style-type: none"> – Poussez la plaque de butée pour la profondeur de coupe vers l'intérieur afin de la régler pour les coupes les plus profondes (voir page 127). – Remplacez-la par une lame ayant réellement un diamètre de 12 po.
La lame de la scie ou le dispositif de protection inférieur coupe le guide coulissant ou entre en contact avec lui lorsque la scie est réglée pour des coupes en biseau.	Le guide coulissant n'est pas éjecté de la course de la lame de scie avant la réalisation de la coupe en biseau.	Déplacez le guide coulissant pour qu'il n'entrave pas le fonctionnement du dispositif de protection inférieur et de la lame de la scie ; effectuez une coupe fictive pour vérifier le jeu avant de réaliser des coupes en biseau (voir page 149).
L'angle du biseau n'est pas maintenu fermement quand le levier de verrouillage du biseau est verrouillé.	La tension du levier de verrouillage du biseau doit être ajustée.	Augmentez la tension du levier de verrouillage du biseau en ajustant le contre-écrou (voir page 133).

Accessoires

DAF220K Niveau/rapporteur/calculateur d'angles composés / rapporteur d'angle numérique MiterFinder™ – Il vous fournit les données dont vous avez besoin pour positionner les coupes de manière à ce qu'elles s'ajustent précisément même quand le coin n'est pas d'équerre.

2610009331 Jeu de butée de couronnement – Tenez correctement la moulure de couronnement en position inclinée contre le guide. Réglez la moulure pour une coupe verticale simple – il n'est pas nécessaire de faire une coupe composée.

Support portatif sur roues T3B TracRac™

Support de scie à onglet sur roues T4B Gravity-Rise

LIMITED WARRANTY OF BOSCH PORTABLE AND BENCHTOP POWER TOOLS

Robert Bosch Tool Corporation ("Seller") warrants to the original purchaser only, that all BOSCH portable and benchtop power tools will be free from defects in material or workmanship for a period of one year from date of purchase. SELLER'S SOLE OBLIGATION AND YOUR EXCLUSIVE REMEDY under this Limited Warranty and, to the extent permitted by law, any warranty or condition implied by law, shall be the repair or replacement of parts, without charge, which are defective in material or workmanship and which have not been misused, carelessly handled, or misrepaired by persons other than Seller or Authorized Service Station. To make a claim under this Limited Warranty, you must return the complete portable or benchtop power tool product, transportation prepaid, to any BOSCH Factory Service Center or Authorized Service Station. For Authorized BOSCH Power Tool Service Stations, please refer to your phone directory.

THIS LIMITED WARRANTY DOES NOT APPLY TO ACCESSORY ITEMS SUCH AS CIRCULAR SAW BLADES, DRILL BITS, ROUTER BITS, JIGSAW BLADES, SANDING BELTS, GRINDING WHEELS AND OTHER RELATED ITEMS.

ANY IMPLIED WARRANTIES SHALL BE LIMITED IN DURATION TO ONE YEAR FROM DATE OF PURCHASE. SOME STATES IN THE U.S., SOME CANADIAN PROVINCES DO NOT ALLOW LIMITATIONS ON HOW LONG AN IMPLIED WARRANTY LASTS, SO THE ABOVE LIMITATION MAY NOT APPLY TO YOU.

IN NO EVENT SHALL SELLER BE LIABLE FOR ANY INCIDENTAL OR CONSEQUENTIAL DAMAGES (INCLUDING BUT NOT LIMITED TO LIABILITY FOR LOSS OF PROFITS) ARISING FROM THE SALE OR USE OF THIS PRODUCT. SOME STATES IN THE U.S. AND SOME CANADIAN PROVINCES DO NOT ALLOW THE EXCLUSION OR LIMITATION OF INCIDENTAL OR CONSEQUENTIAL DAMAGES, SO THE ABOVE LIMITATION OR EXCLUSION MAY NOT APPLY TO YOU.

THIS LIMITED WARRANTY GIVES YOU SPECIFIC LEGAL RIGHTS, AND YOU MAY ALSO HAVE OTHER RIGHTS WHICH VARY FROM STATE TO STATE IN THE U.S., PROVINCE TO PROVINCE IN CANADA AND FROM COUNTRY TO COUNTRY.

THIS LIMITED WARRANTY APPLIES ONLY TO PORTABLE AND BENCHTOP ELECTRIC TOOLS SOLD WITHIN THE UNITED STATES OF AMERICA, CANADA AND THE COMMONWEALTH OF PUERTO RICO. FOR WARRANTY COVERAGE WITHIN OTHER COUNTRIES, CONTACT YOUR LOCAL BOSCH DEALER OR IMPORTER.

GARANTIE LIMITÉE DES OUTILS ÉLECTRIQUES PORTATIFS ET D'ÉTABLI BOSCH

Robert Bosch Tool Corporation (le « vendeur ») garantit à l'acheteur initial seulement que tous les outils électriques portatifs et d'établi BOSCH seront exempts de vices de matériaux ou d'exécution pendant une période d'un an depuis la date d'achat. LA SEULE OBLIGATION DU VENDEUR ET LE SEUL RECOURS DE L'ACHETEUR sous la présente garantie limitée, et en autant que la loi le permette sous toute garantie ou condition implicite qui en découlerait, sera l'obligation de remplacer ou réparer gratuitement les pièces défectueuses matériellement ou comme fabrication, pourvu que lesdites déficiences ne soient pas attribuables à un usage abusif ou à quelque réparation bricolée par quelqu'un d'autre que le vendeur ou le personnel d'une station-service agréée. Pour présenter une réclamation en vertu de cette garantie limitée, vous devez renvoyer l'outil électrique portatif ou d'établi complet, port payé, à tout centre de service agréé ou centre de service usine BOSCH. Veuillez consulter votre annuaire téléphonique pour les adresses.

LA PRÉSENTE GARANTIE NE S'APPLIQUE PAS AUX ACCESSOIRES TELS QUE LAMES DE SCIÉS CIRCULAIRES, MÊCHES DE PERCEUSES, FERS DE TOUPIES, LAMES DE SCIÉS SAUTEUSES, COURROIES DE PONÇAGE, MEULES ET AUTRES ARTICLES DU GENRE.

TOUTE GARANTIE IMPLICITE SERA LIMITÉE COMME DURÉE À UN AN À COMPTER DE LA DATE D'ACHAT. CERTAINS ÉTATS AMÉRICAINS, CERTAINES PROVINCES CANADIENNES N'ADMETTANT PAS LE PRINCIPE DE LA LIMITATION DE LA DURÉE DES GARANTIES IMPLICITES, IL EST POSSIBLE QUE LES LIMITATIONS CI-DESSUS NE S'APPLIQUENT PAS À VOTRE CAS.

EN AUCUN CAS LE VENDEUR NE SAURAIT ÊTRE TENU POUR RESPONSABLE DES INCIDENTS OU DOMMAGES INDIRECTS (INCLUANT, MAIS NE SE LIMITANT PAS AUX PERTES DE PROFITS) CONSÉCUTIFS À LA VENTE OU L'USAGE DE CE PRODUIT. CERTAINS ÉTATS AMÉRICAINS ET CERTAINES PROVINCES CANADIENNES N'ADMETTANT PAS LE PRINCIPE DE LA LIMITATION NI L'EXCLUSION DES DOMMAGES INDIRECTS ET CONSÉQUENTIELS, IL EST POSSIBLE QUE LES LIMITATIONS OU EXCLUSIONS CI-DESSUS NE S'APPLIQUENT PAS À VOTRE CAS.

LA PRÉSENTE GARANTIE VOUS ACCORDE DES DROITS BIEN DÉTERMINÉS, Y COMPRIS POSSIBLEMENT CERTAINS DROITS VARIABLES DANS LES DIFFÉRENTS ÉTATS AMÉRICAINS, PROVINCES CANADIENNES ET DE PAYS À PAYS.

CETTE GARANTIE LIMITÉE NE S'APPLIQUE QU'AUX OUTILS ÉLECTRIQUES PORTATIFS ET D'ÉTABLI VENDUS AUX ÉTATS-UNIS D'AMÉRIQUE, AU CANADA ET AU COMMONWEALTH DE PORTO RICO. POUR COUVERTURE DE GARANTIE DANS LES AUTRES PAYS, CONTACTEZ VOTRE IMPORTATEUR OU REVENDEUR BOSCH LOCAL.

GARANTIA LIMITADA PARA HERRAMIENTAS MECANICAS PORTATILES Y PARA TABLERO DE BANCO BOSCH

Robert Bosch Tool Corporation ("el Vendedor") garantiza, únicamente al comprador original, que todas las herramientas mecánicas portátiles y para tablero de banco BOSCH estarán libres de defectos de material o de fabricación durante un período de un año a partir de la fecha de compra. LA UNICA OBLIGACION DEL VENDEDOR Y EL RECURSO EXCLUSIVO QUE USTED TIENE bajo esta Garantía Limitada y, hasta donde la ley lo permita, bajo cualquier garantía o condición implícita por ley, consistirá en la reparación o sustitución sin costo de las piezas que presenten defectos de material o de fabricación y que no hayan sido utilizadas incorrectamente, manejadas descuidadamente o reparadas incorrectamente por personas que no sean el Vendedor o una Estación de servicio autorizada. Para efectuar una reclamación bajo esta Garantía Limitada, usted debe devolver el producto, que consiste en la herramienta mecánica portátil o para tablero de banco completa, con el transporte pagado, a cualquier Centro de servicio de fábrica o Estación de servicio autorizada BOSCH. Para Estaciones de servicio autorizadas de herramientas mecánicas BOSCH, por favor, consulte el directorio telefónico.

ESTA GARANTIA LIMITADA NO SE APLICA A ARTICULOS ACCESORIOS TALES COMO HOJAS PARA SIERRAS CIRCULARES, BROCAS PARA TALADROS, BROCAS PARA FRESADORAS, HOJAS PARA SIERRAS DE VAIVEN, CORREAS PARA LIJAR, RUEDAS DE AMOLAR Y OTROS ARTICULOS RELACIONADOS.

TODAS LAS GARANTIAS IMPLICITAS TENDRAN UNA DURACION LIMITADA A UN AÑO A PARTIR DE LA FECHA DE COMPRA. ALGUNOS ESTADOS DE LOS EE.UU., ALGUNAS PROVINCIAS CANADIENSES NO PERMITEN LIMITACIONES EN CUANTO A LA DURACION DE UNA GARANTIA IMPLICITA, POR LO QUE ES POSIBLE QUE LA LIMITACION ANTERIOR NO SEA APLICABLE EN EL CASO DE USTED.

EL VENDEDOR NO SERA RESPONSABLE EN NINGUN CASO DE NINGUN DAÑO INCIDENTAL O EMERGENTE (INCLUYENDO PERO NO LIMITADO A RESPONSABILIDAD POR PERDIDA DE BENEFICIOS) QUE SE PRODUZCA COMO CONSECUENCIA DE LA VENTA O UTILIZACION DE ESTE PRODUCTO. ALGUNOS ESTADOS DE LOS EE.UU. Y ALGUNAS PROVINCIAS CANADIENSES NO PERMITEN LA EXCLUSION O LIMITACION DE LOS DAÑOS INCIDENTALES O EMERGENTES, POR LO QUE ES POSIBLE QUE LA LIMITACION O EXCLUSION ANTERIOR NO SEA APLICABLE EN EL CASO DE USTED.

ESTA GARANTIA LIMITADA LE CONFIERE A USTED DERECHOS LEGALES ESPECIFICOS Y ES POSIBLE QUE USTED TAMBIEN TENGA OTROS DERECHOS QUE VARIAN DE ESTADO A ESTADO EN LOS EE.UU., DE PROVINCIA A PROVINCIA EN CANADA Y DE UN PAIS A OTRO.

ESTA GARANTIA LIMITADA SE APLICA SOLAMENTE A HERRAMIENTAS ELECTRICAS PORTATILES Y PARA TABLERO DE BANCO VENDIDAS EN LOS ESTADOS UNIDOS DE AMERICA, CANADA Y EL ESTADO LIBRE ASOCIADO DE PUERTO RICO. PARA COBERTURA DE GARANTIA EN OTROS PAISES, PONGASE EN CONTACTO CON SU DISTRIBUIDOR O IMPORTADOR LOCAL DE BOSCH.

© Robert Bosch Tool Corporation 1800 W. Central Road Mt. Prospect, IL 60056 -2230

Exportado por: Robert Bosch Tool Corporation Mt. Prospect, IL 60056 -2230, E.U.A.

Importado en México por: Robert Bosch, S.A. de C.V., Calle Robert Bosch No. 405, Zona Industrial, Toluca, Edo. de México, C.P. 50070, Tel. (722) 2792300