



Side by Side Refrigerator

PRODUCT MODEL NUMBERS

WRS970CID WRS973CID

Electrical: A 115 volt, 60 Hz, AC only, 15- or 20-amp fused, grounded electrical supply is required. It is recommended that a separate circuit serving only your refrigerator be provided. Use an outlet that cannot be turned off by a switch. Do not use an extension cord.

Water Supply: A cold water supply with water pressure of between 30 and 120 psi (207 and 827 kPa) is required to operate the water dispenser and ice maker. If you have questions about your water pressure, call a licensed, qualified plumber.

Reverse Osmosis Water Supply:

IMPORTANT: The pressure of the water supply coming out of a reverse osmosis system going to the water inlet valve of the refrigerator needs to be between 30 and 120 psi (207 and 827 kPa).

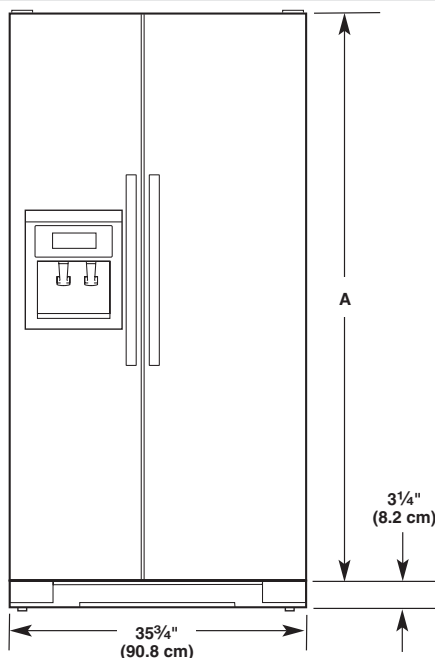
If a reverse osmosis water filtration system is connected to your cold water supply, the water pressure to the reverse osmosis system needs to be a minimum of 40 to 60 psi (276 to 414 kPa).

LOCATION REQUIREMENTS

- The refrigerator can be installed into a recessed opening, at the end of cabinets or as a freestanding refrigerator.
- If you are installing the refrigerator to fit flush with the front of the base cabinets, all shoe moulding and baseboards must be removed from the rear of the refrigerator opening. Allow for 1" (2.54 cm) of space behind the refrigerator.
- This refrigerator is intended for use in a location where the temperature ranges from a minimum of 55°F (13°C) to a maximum of 110°F (43°C). The preferred room temperature range for optimum performance, which reduces electricity usage and provides superior cooling, is between 60°F (15°C) and 90°F (32°C). It is recommended that you do not install the refrigerator near a heat source, such as an oven or radiator.
- Floor must support refrigerator weight (more than 600 lbs [272 kg]) and contents.

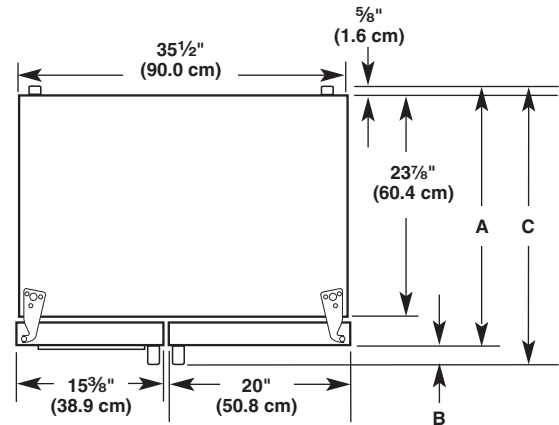
PRODUCT DIMENSIONS

FRONT VIEW



Model Size	Height A
69"	65 3/4" (166.9 cm)
72"	68 1/8" (172.9 cm)

TOP VIEW

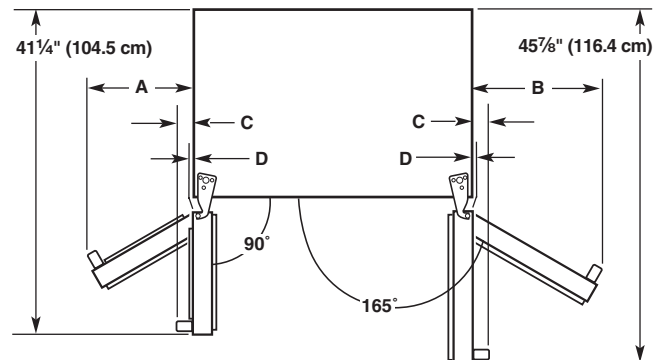


Door Style	Depth A	Depth B	Depth C
Flat	27 1/2" (69.8 cm)	2 5/8" (6.5 cm) maximum*	30" (76.3 cm) maximum*
Curved	28 5/8" (72.5 cm)	2 5/8" (6.5 cm)	31 1/8" (79.1 cm)

*Dimension may vary based on style of door handle. The width for the largest available handle is listed.

DOOR SWING DIMENSIONS

- Location must permit doors to open to a minimum of 165°.
- In the following graphic, "A" represents the distance needed to fully open the freezer door and "B" represents the distance needed to fully open the refrigerator door.

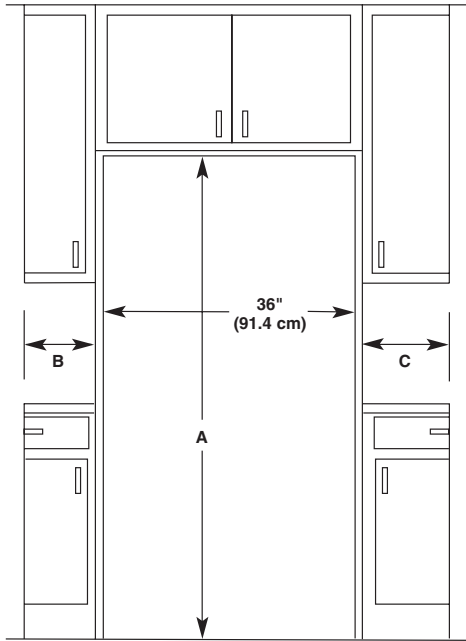


Dimension	Flat Doors	Curved Doors
A	13 5/8" (34.5 cm) maximum*	13 3/4" (34.9 cm)
B	18 1/8" (46.0 cm) maximum*	18 3/8" (46.4 cm)
C	2 3/4" (6.7 cm) maximum*	3 3/4" (9.4 cm)
D	1/8" (0.2 cm)	1 1/4" (2.9 cm)

*Dimension may vary based on style of door handle. The width for the largest available handle is listed.

OPENING DIMENSIONS

- Height dimensions are shown with the leveling legs extended to the minimum height of ¼" (6.35 mm) below the refrigerator.
- **NOTE:** When leveling legs are fully extended to 1" (25 mm) below the refrigerator, add ¾" (19 mm) to the height dimensions.
- In the following graphic, "A" represents the opening height required for standard cabinets. For full-overlay cabinet doors with a trim kit, add 1/8" (0.3 cm).
- In the following graphic, "B" represents the distance needed to fully open the freezer door and "C" represents the distance needed to fully open the refrigerator door.

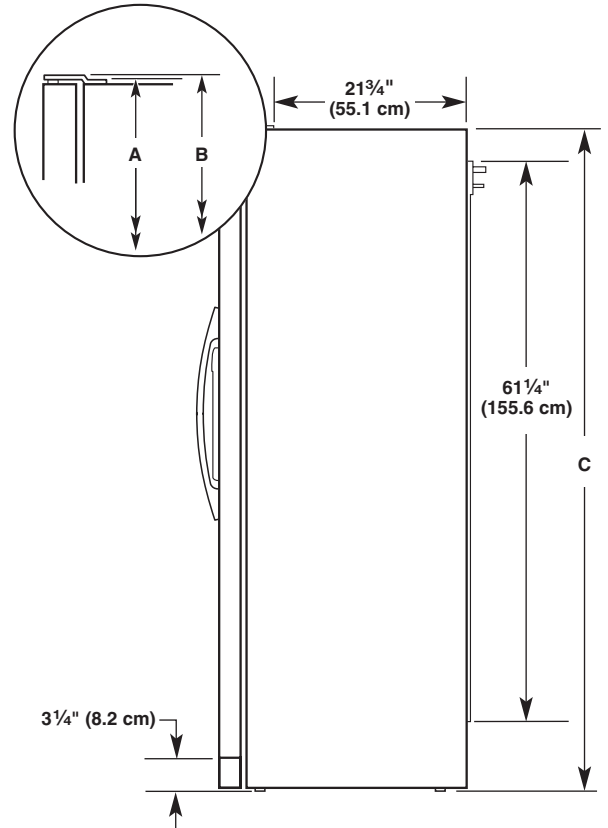


Model Size and Door Style	Width A	Width B	Width C
69" Flat	69" (175.3 cm)	13 5/8" (34.5 cm) maximum*	18 1/8" (46.0 cm) maximum*
72" Flat	72" (182.9 cm)	13 5/8" (34.5 cm) maximum*	18 1/8" (46.0 cm) maximum*
69" Curved	69" (175.3 cm)	13 3/4" (34.9 cm) maximum*	18 3/8" (46.4 cm) maximum*
72" Curved	72" (182.9 cm)	13 3/4" (34.9 cm) maximum*	18 3/8" (46.4 cm) maximum*

*Dimension may vary based on style of door handle.
The width for the largest available handle is listed.

SIDE VIEW

- Height dimensions are shown with the leveling legs extended to the minimum height of ¼" (6.35 mm) below the refrigerator.
- **NOTE:** When leveling legs are fully extended to 1" (25 mm) below the refrigerator, add ¾" (19 mm) to the height dimensions.
- The power cord is 61 1/4" (155.6 cm) long.
- The water line attached to the back of the refrigerator is 78" (198.1 cm) long.



Model Size	Height A	Height B	Height C
69"	68 7/8" (174.9 cm)	68 7/8" (174.9 cm)	68 1/2" (174.2 cm)
72"	71 1/4" (181 cm)	71 1/4" (181 cm)	71" (180.2 cm)