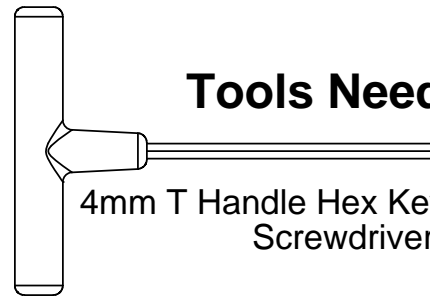


Model: NS48

Layout Parts

- (1) Seat
- (1) Back
- (2) Sideframes

Tools Needed



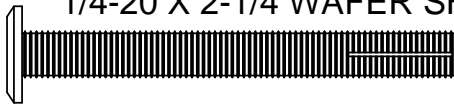
4mm T Handle Hex Key - *included*
Screwdriver

Layout Hardware

QTY

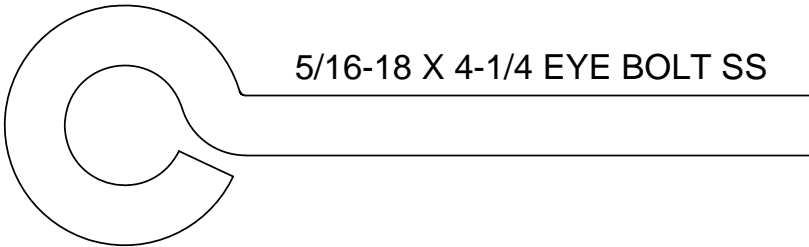
1/4-20 X 2-1/4 WAFER SHCS

4



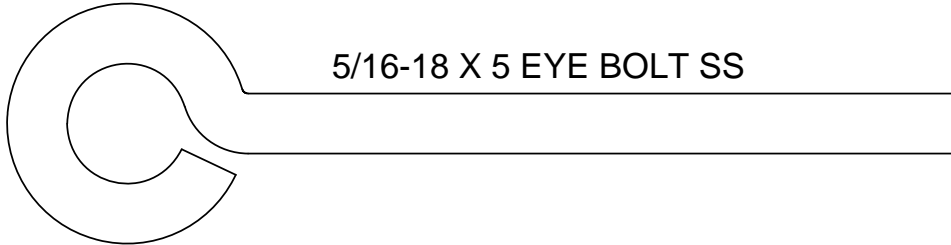
5/16-18 X 4-1/4 EYE BOLT SS

2



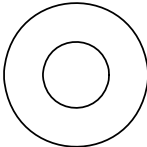
5/16-18 X 5 EYE BOLT SS

2



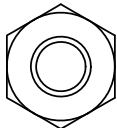
5/16 X 3/4 OD FLAT WASHER

4



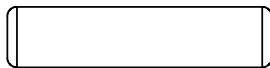
5/16-18 HEX NUT SS

4



5/16 PLASTIC PINS

2



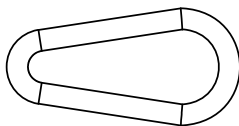
.307 X 2-1/2 X 3/4 S-HOOK ZN

2



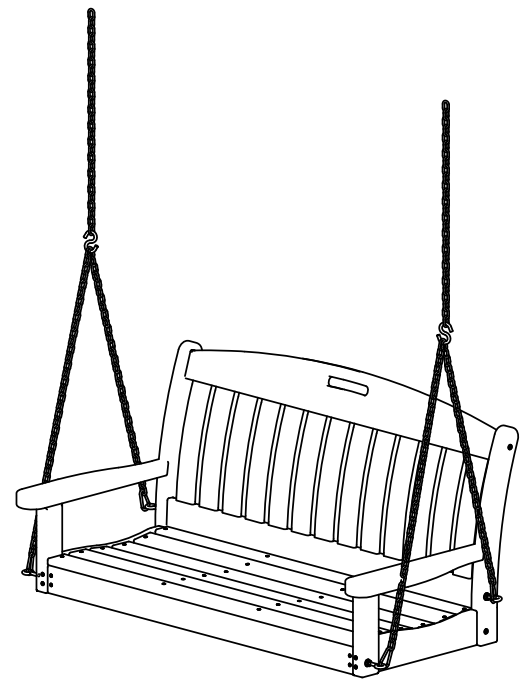
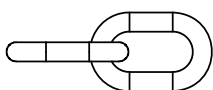
SNAP HOOK 1/4"

4



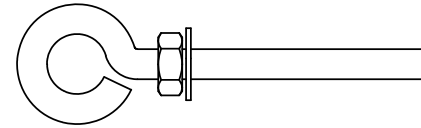
5FT ZINC CHAIN

4



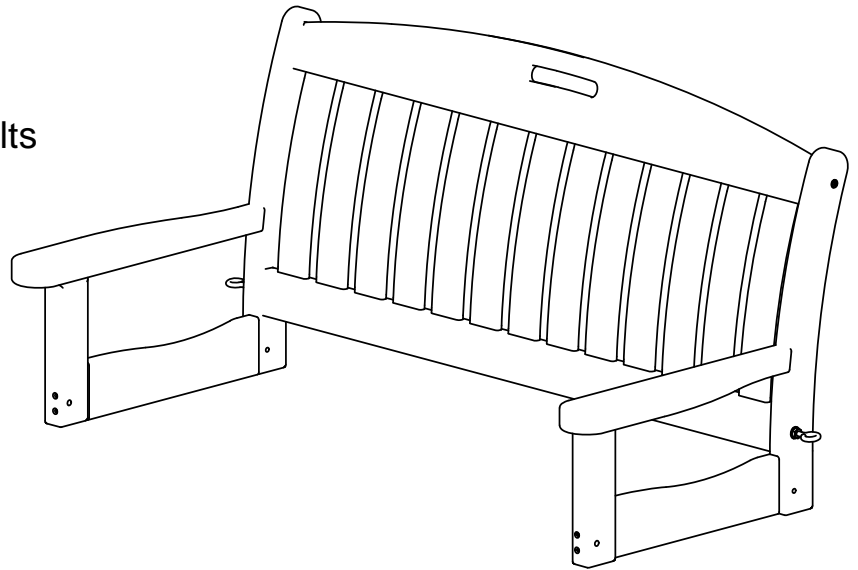
Swing Assembly

*Note: Prep eyebolt with nut and washer
Take nut to end of thread.



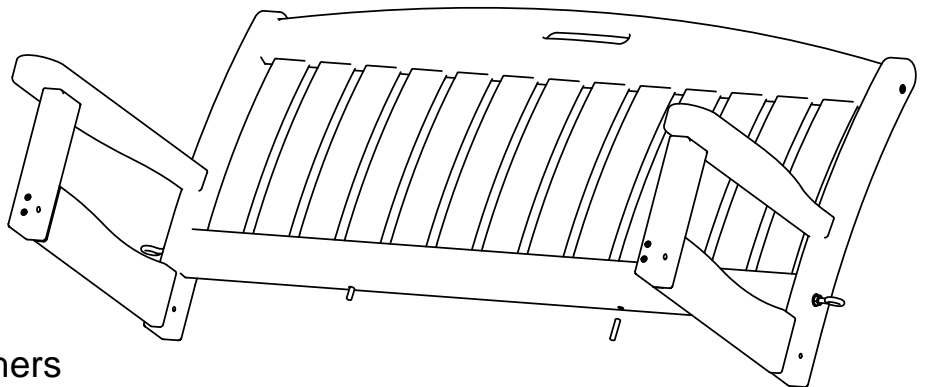
1

Attach the side frames using
(2) 2 1/4" bolts and (2) 4 1/4" eyebolts
with nuts and washers



2

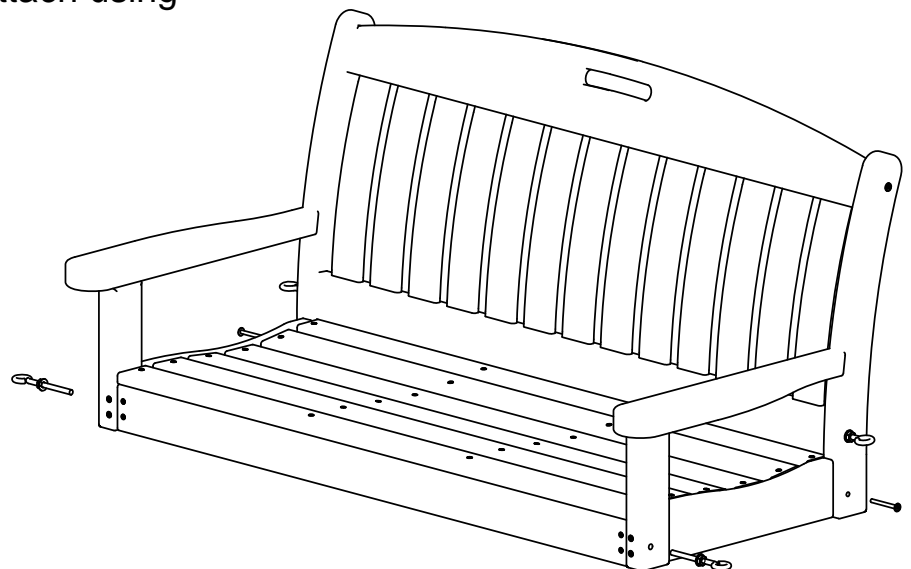
Insert pins into back assembly



3

Attach the seat using
(2) 5" eyebolts with nuts and washers

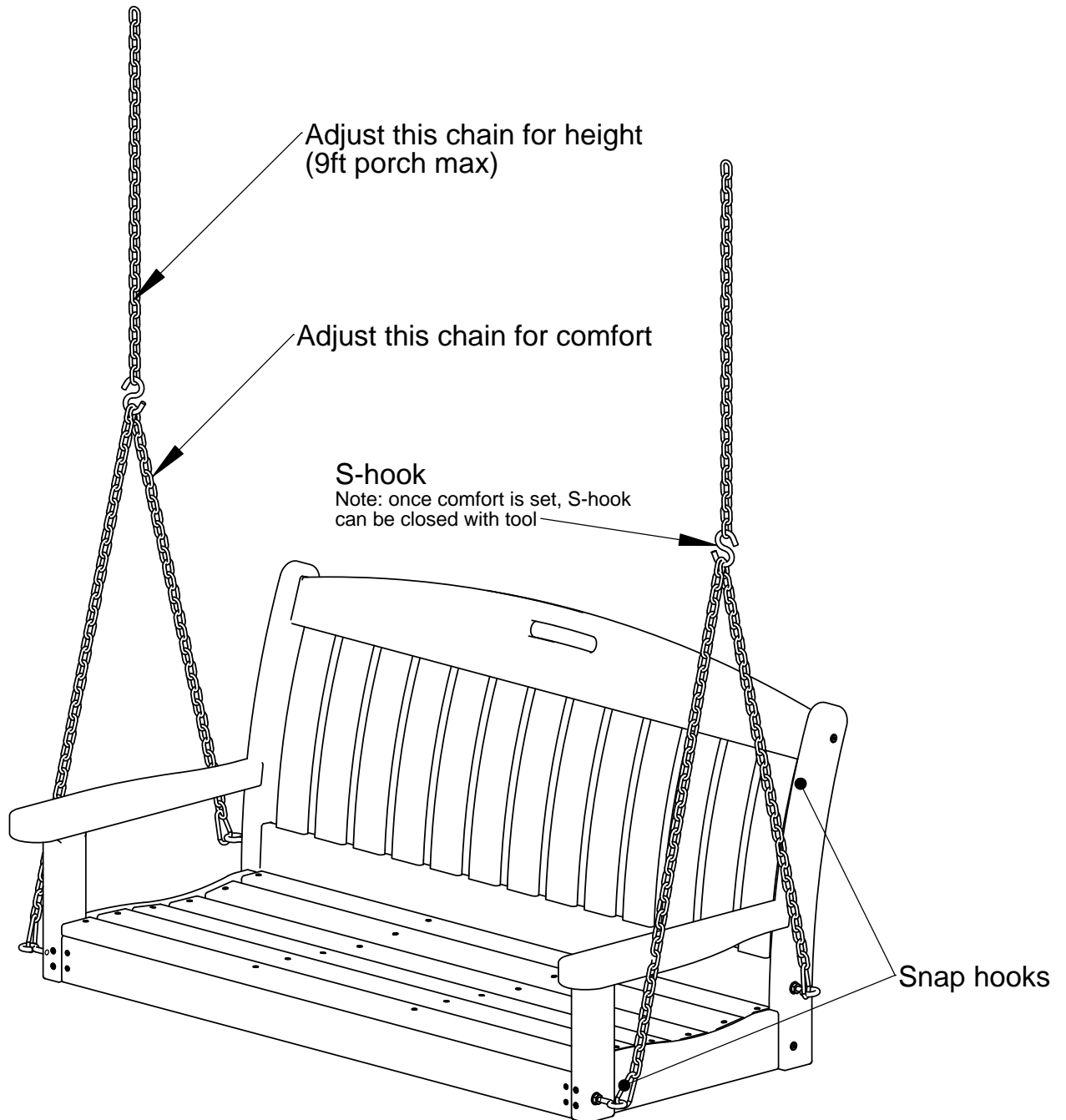
Then, push seat into pins and attach using
(2) 2 1/4" bolts



4

Hang the swing

Tip: hanging mounts should be about 55" apart



Tip: Seat should measure about 18" from floor