

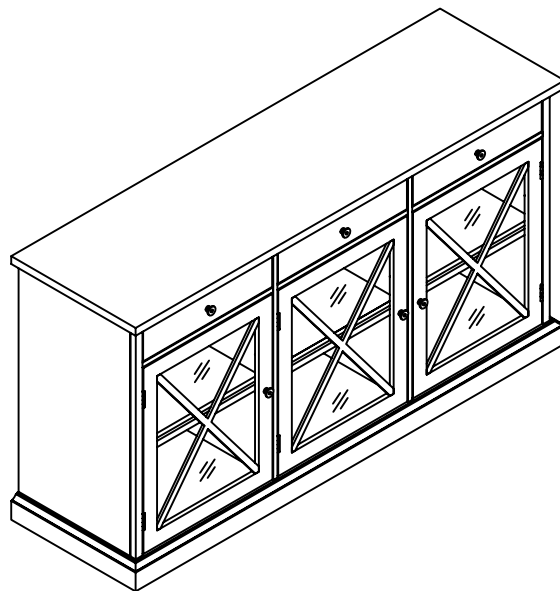
# HOME DECORATORS COLLECTION

SK17912AR2 HAMPTON SIDEBOARD 33"Hx62"Wx18"D

INV#19260

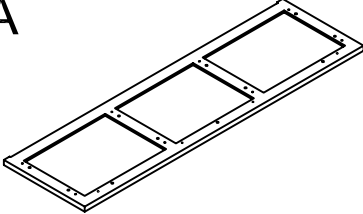
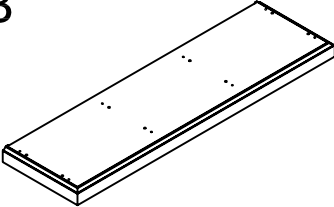
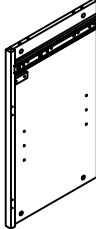
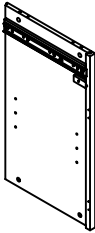
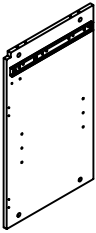

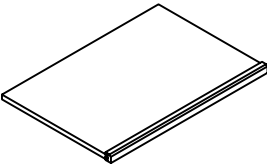
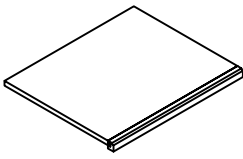
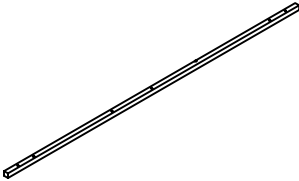
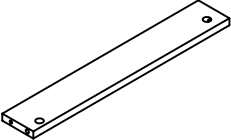
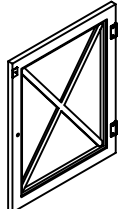
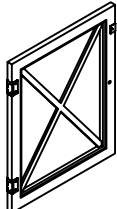
## ASSEMBLY INSTRUCTIONS

Made In China

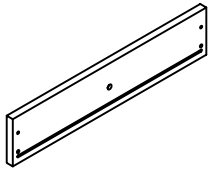


Thank you for purchasing this quality product. Be sure to check all packing material carefully for small parts, which may have come loose inside the carton during shipment. Count all parts and material hardware, then compare with parts list to be sure all parts are present, If any parts are missing or damaged, phone, fax, or mail to our Customer service Department for efficient and speedy service. Please indicate the model number and code letter of part(s) needed.

**IMPORTANT NOTE:** Follow instructions listed below in proper sequence as numbered to assure fast,easy and correct assembly.

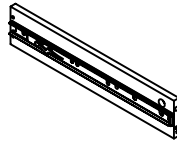
<b>PARTS LIST</b>		
<b>A</b> 	<b>B</b> 	<b>C</b> 
TOP PANEL-1PC	BOTTOM PANEL-1PC	LEFT SIDE PANEL-1PC
<b>D</b> 	<b>E</b> 	<b>F</b> 
RIGHT SIDE PANEL-1PC	LEFT PARTITION-1PC	RIGHT PARTITION-1PC
<b>G</b> 	<b>H</b> 	<b>I</b> 
SIDE ADJUSTABLE SHELF-2PCS	CENTER ADJUSTABLE SHELF-1PC	TOP CROSS BAR-1PC
<b>J</b> 	<b>K</b> 	<b>L</b> 
FRONT CROSS BAR-3PCS	LEFT DOOR-2PCS	RIGHT DOOR-1PC

M



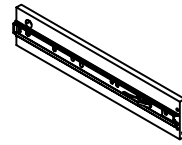
DRAWER  
FRONT PANEL-3PCS

N



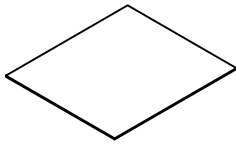
DRAWER  
LEFT SIDE PANEL-3PCS

O



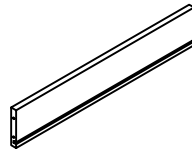
DRAWER RIGHT  
SIDE PANEL-3PCS

P



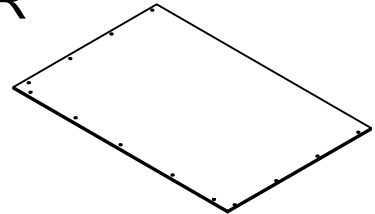
DRAWER  
BOTTOM PANEL-3PCS

Q



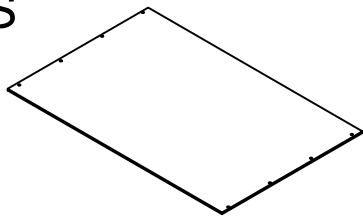
DRAWER BACK PANEL-3PCS

R




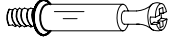







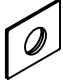

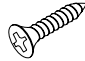
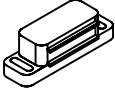
SIDE BACK PANEL-2PCS

S



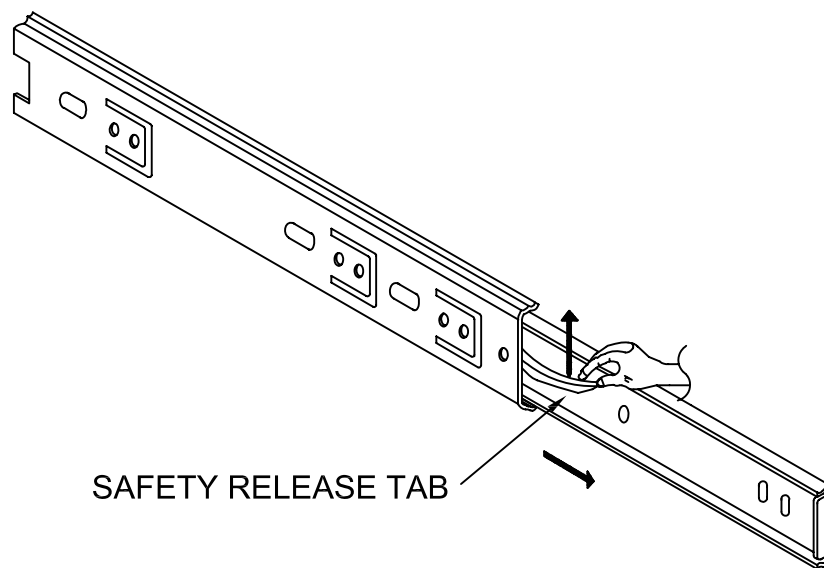
CENTER BACK PANEL-1PC

NOTE:THE SURFACE WITH THE STICKER IS THE BACK SIDE

<p><b>a</b></p>  <p>WOOD DOWEL-31PCS</p>	<p><b>b</b></p>  <p>CAM LOCK BOLT-28PCS</p>	<p><b>c</b></p>  <p>CAM LOCK-28PCS</p>
<p><b>d</b></p>  <p>5/8"L ROUND HEAD SCREW-48PCS</p>	<p><b>e</b></p>  <p>1"L FLAT HEAD SCREW-16PC</p>	<p><b>f</b></p>  <p>KNOB-6PCS</p>
<p><b>g</b></p>  <p>KNOB BOLT-6PCS</p>	<p><b>h</b></p>  <p>LONG PLASTIC COVER-8PCS</p>	<p><b>i</b></p>  <p>SHORT PLASTIC COVER-6PCS</p>
<p><b>j</b></p>  <p>METAL PLATE-8PCS</p>	<p><b>k</b></p>  <p>SHELF PIN-12PCS</p>	<p><b>m</b></p>  <p>1/2"L FLAT HEAD SCREW-12PCS</p>
<p><b>n</b></p>  <p>MAGNET-3PCS</p>		

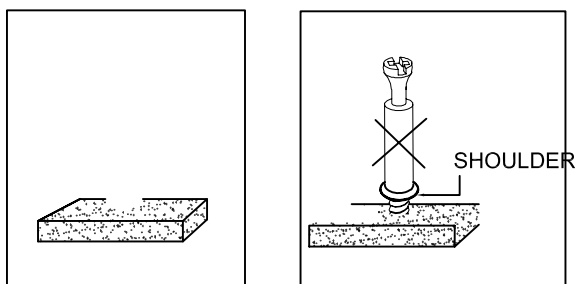
NOTE:THE SURFACE WITH THE STICKER IS THE BACK SIDE

## HOW TO SEPARATE GLIDES



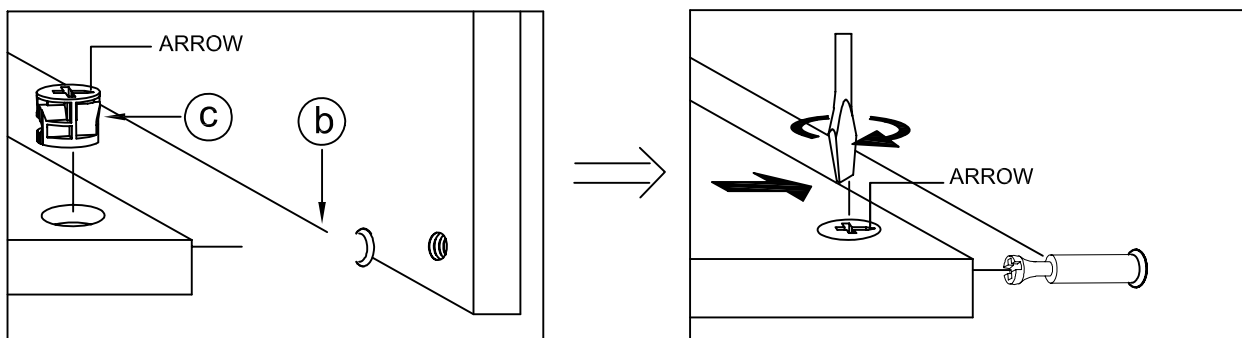
PRIOR TO ASSEMBLY, WE SUGGEST SEPARATING THE INNER GLIDES FROM THE OUTER-GLIDES, SIMPLY PULL THE LEFT/RIGHT INNER GLIDES FROM THE OUTER GLIDES EXPOSING A SMALL BLACK SAFETY RELEASE TAB, BY PUSHING THE SAFETY RELEASE TAB. YOU WILL BE ABLE TO SEPARATE THE GLIDE

NOTE: • UPON OPENING, THOROUGHLY CLEAN ALL WOOD SURFACES TO REMOVE DUST AND DIRT THAT MAY HAVE SETTLED ONTO FINISH DURING SHIPMENT. IN ORDER TO PREVENT DAMAGE DURING ASSEMBLY. PLEASE ASSEMBLE THIS ITEM WITH AT LEAST TWO PEOPLE.



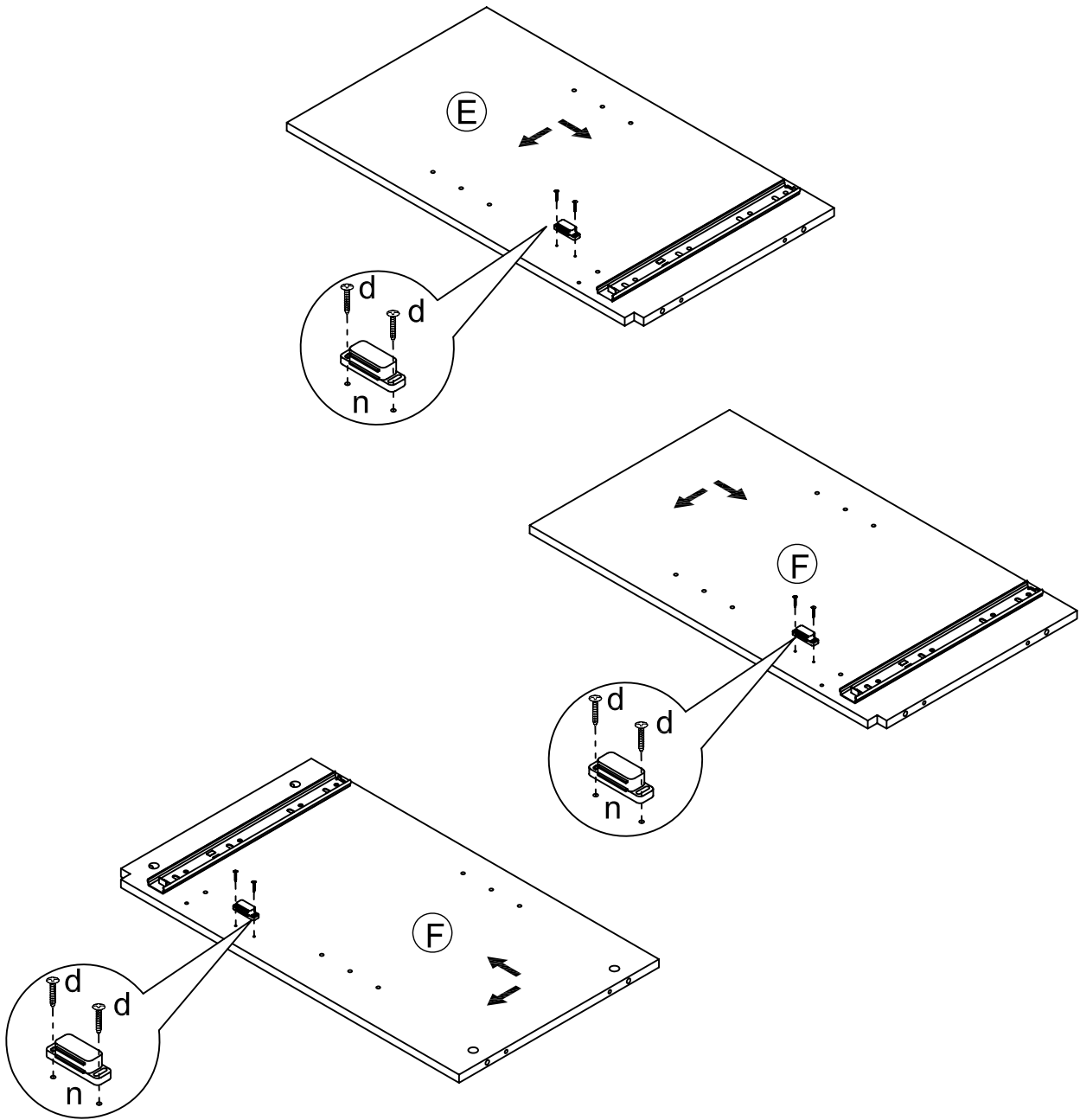
NOTE: TURN THE CAM-BOLT SCREWS UNTIL THEY ARE TIGHT, THE SHOULDER SHOULD BE AGAINST THE SURFACE OF THE PART.

## HOW TO USE THE CAM-TOOL



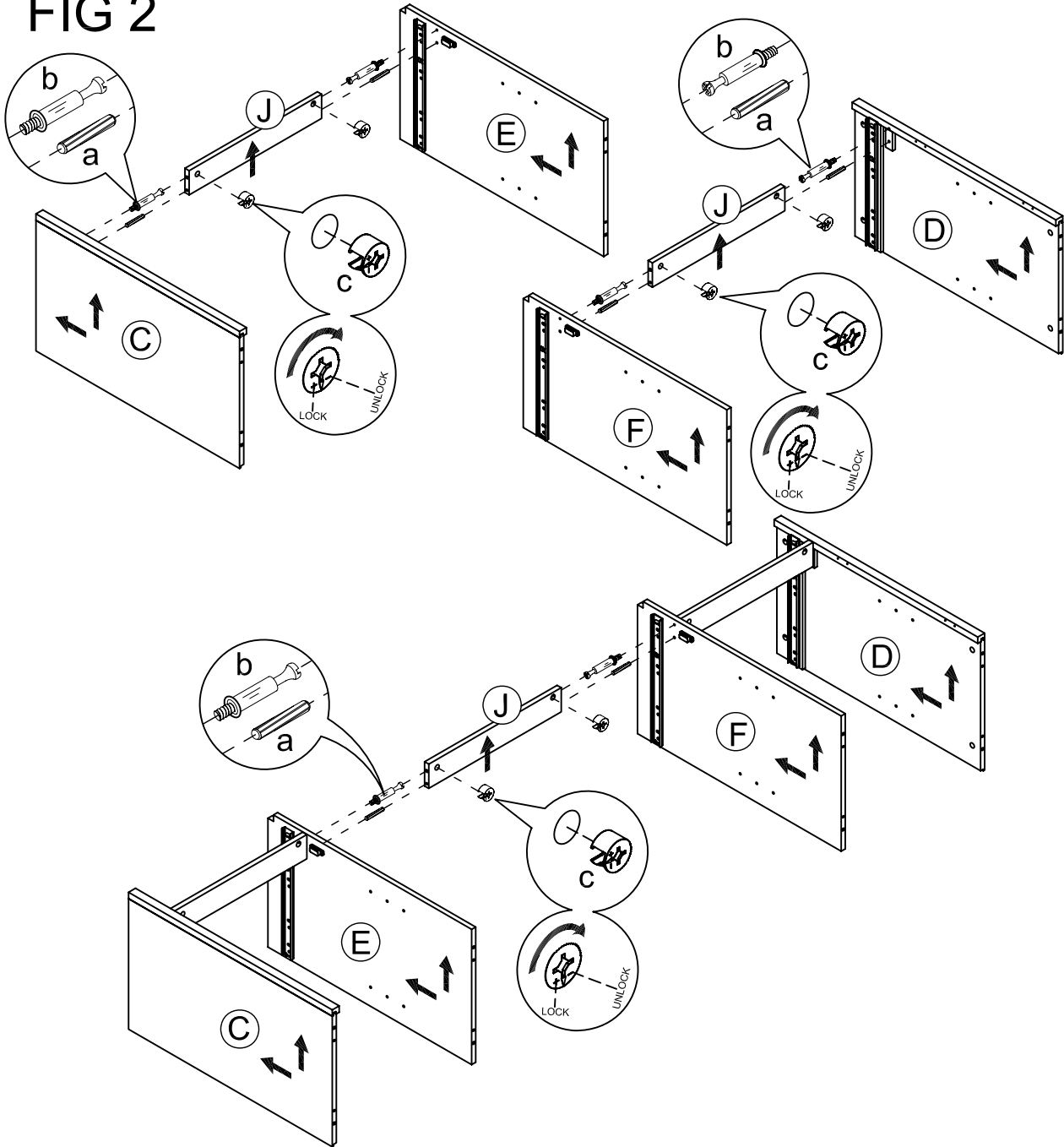
NOTE: • THE ARROWS ON THE HIDDEN CAM-LOCKS SHOULD POINT TO THE CAM-BOLTS

FIG 1



- ATTACH THE MAGNET (n) INTO LEFT PARTITION (E) AND RIGHT PARTITION (F) BY USING THE 5/8" L ROUND HEAD SCREW (d).

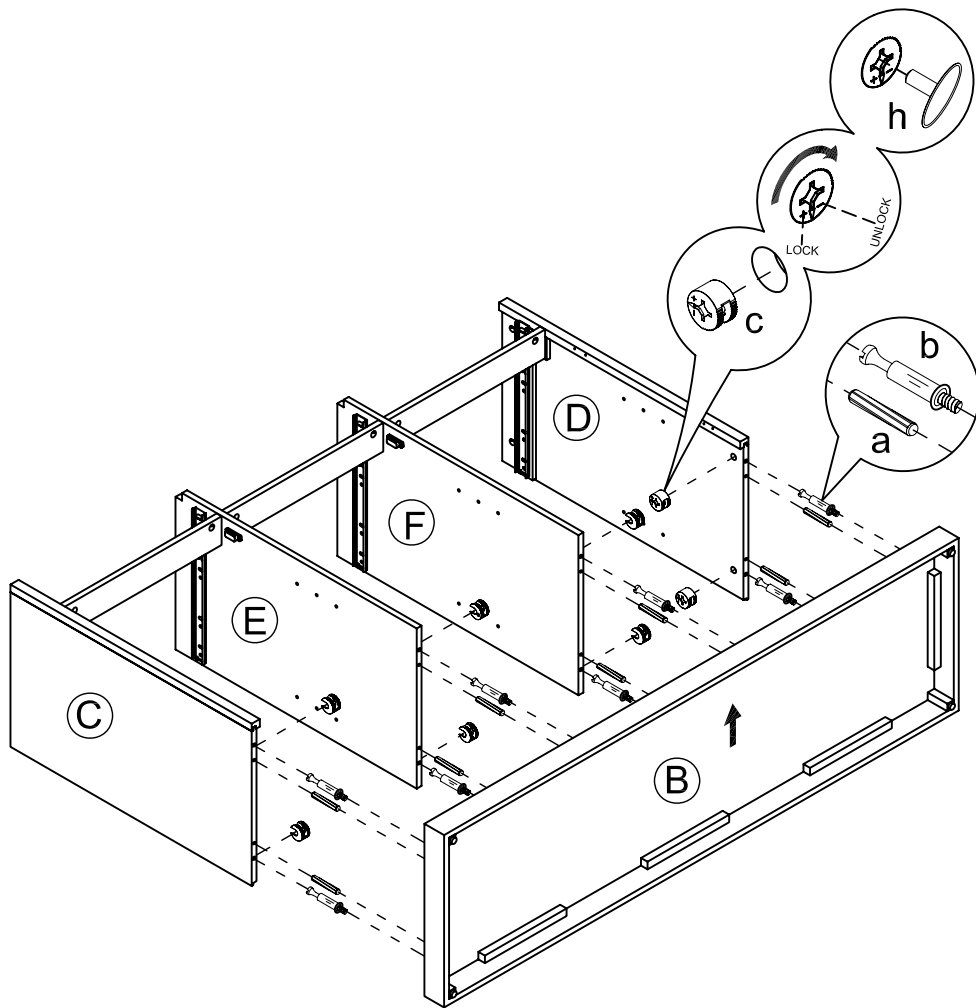
# FIG 2



- INSTALL THE WOOD DOWEL (a) AND THE CAM LOCK BOLT (b) INTO THE LEFT & RIGHT SIDE PANELS(C)& (D) AND LEFT & RIGHT PARTITIONS(E)&(F).
- JOIN THE LEFT SIDE PANEL (C) AND THE LEFT PARTITION (E) TO THE FRONT CROSS BAR (J) BY USING WOOD DOWEL (a) FIRST.
- JOIN THE RIGHT SIDE PANEL (D) AND THE RIGHT PARTITION (F) TO THE FRONT CROSS BAR (J) BY USING WOOD DOWEL (a) FIRST.
- JOIN THE FRONT CROSS BAR (J) TO THE ASSEMBLED PARTS BY USING WOOD DOWEL (a) FIRST.
- TIGHTEN THE CAM LOCK BOLT (b) BY USING THE CAM LOCK (c) THROUGH THE PRE-DRILLED HOLES.

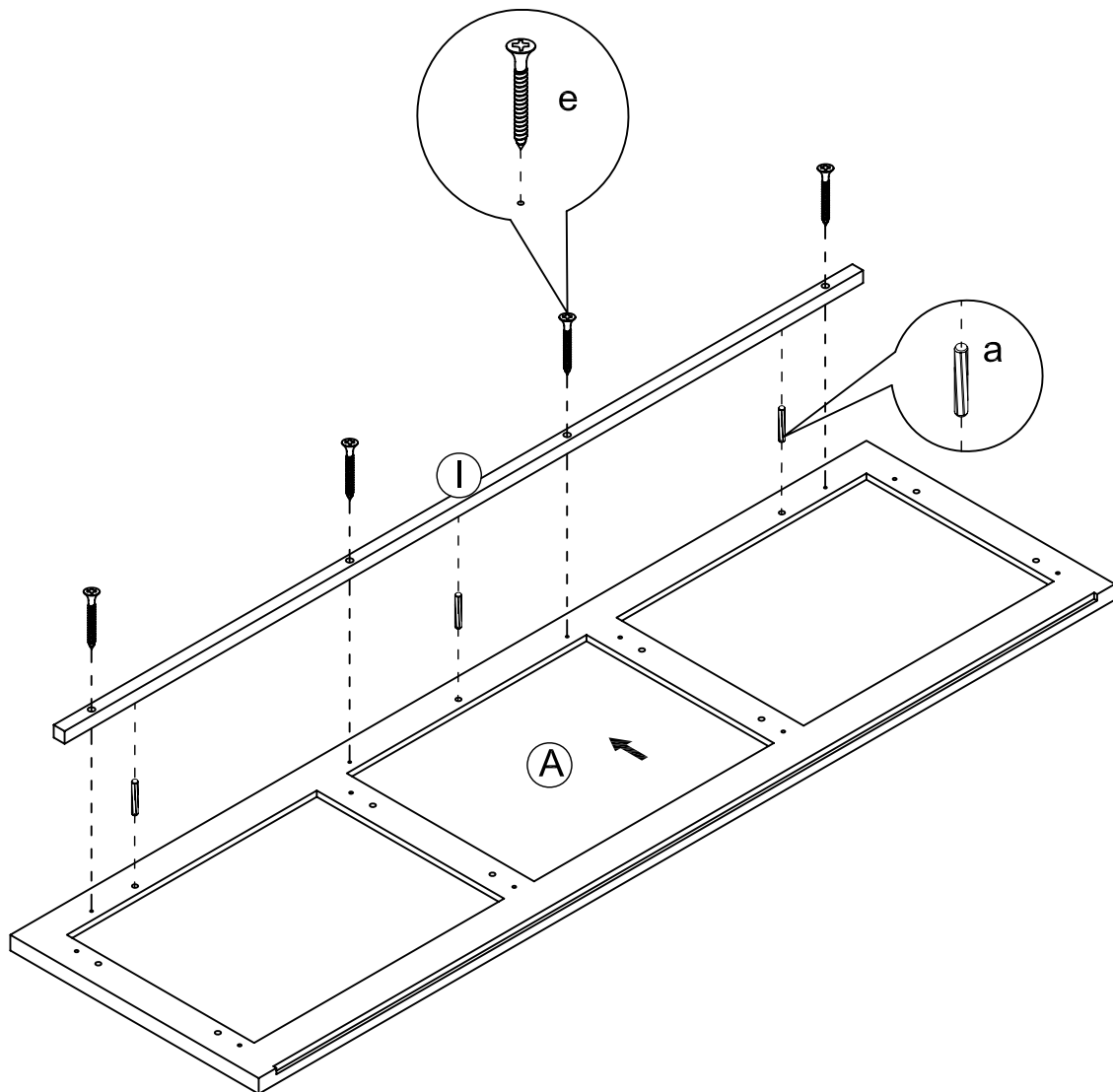


# FIG 3



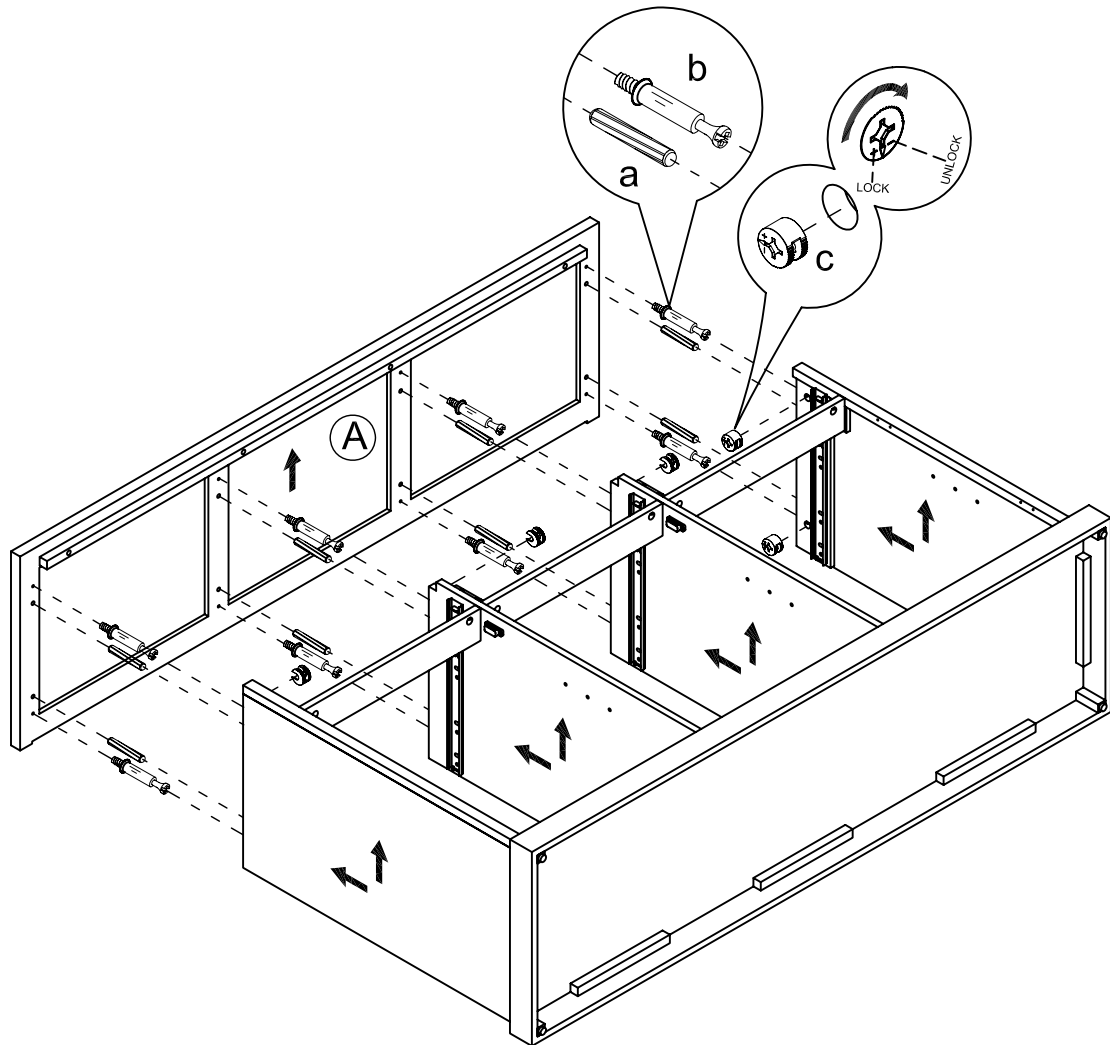
- INSTALL THE WOOD DOWEL (a) AND THE CAM LOCK BOLT (b) INTO THE BOTTOM PANEL (B).
- JOIN THE BOTTOM PANEL (B) TO THE ASSEMBLED PART BY USING WOOD DOWEL (a) FIRST.
- TIGHTEN THE CAM LOCK BOLT (b) BY USING THE CAM LOCK (c) THROUGH THE PRE-DRILLED HOLES.
- COVER CAM HOLES WITH THE LONG PLASTIC COVER (h).

# FIG 4



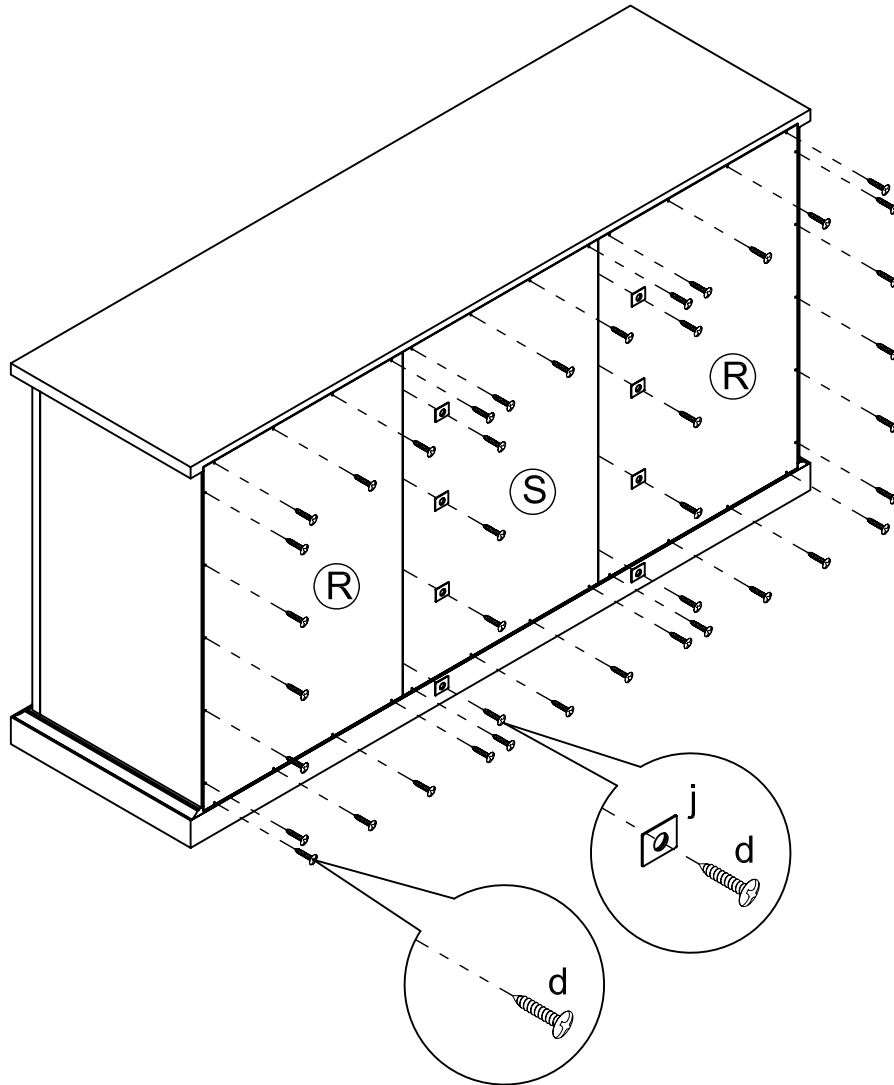
- INSTALL THE WOOD DOWEL (a) INTO THE BOTTOM OF THE TOP PANEL (A).
- JOIN THE TOP CROSS BAR (I) TO THE TOP PANEL (A) BY USING THE WOOD DOWEL FIRST (a).
- TIGHTEN THE TOP CROSS BAR (I) TO THE TOP PANEL (A) BY USING THE 1" L FLAT HEAD SCREW (e).

FIG 5



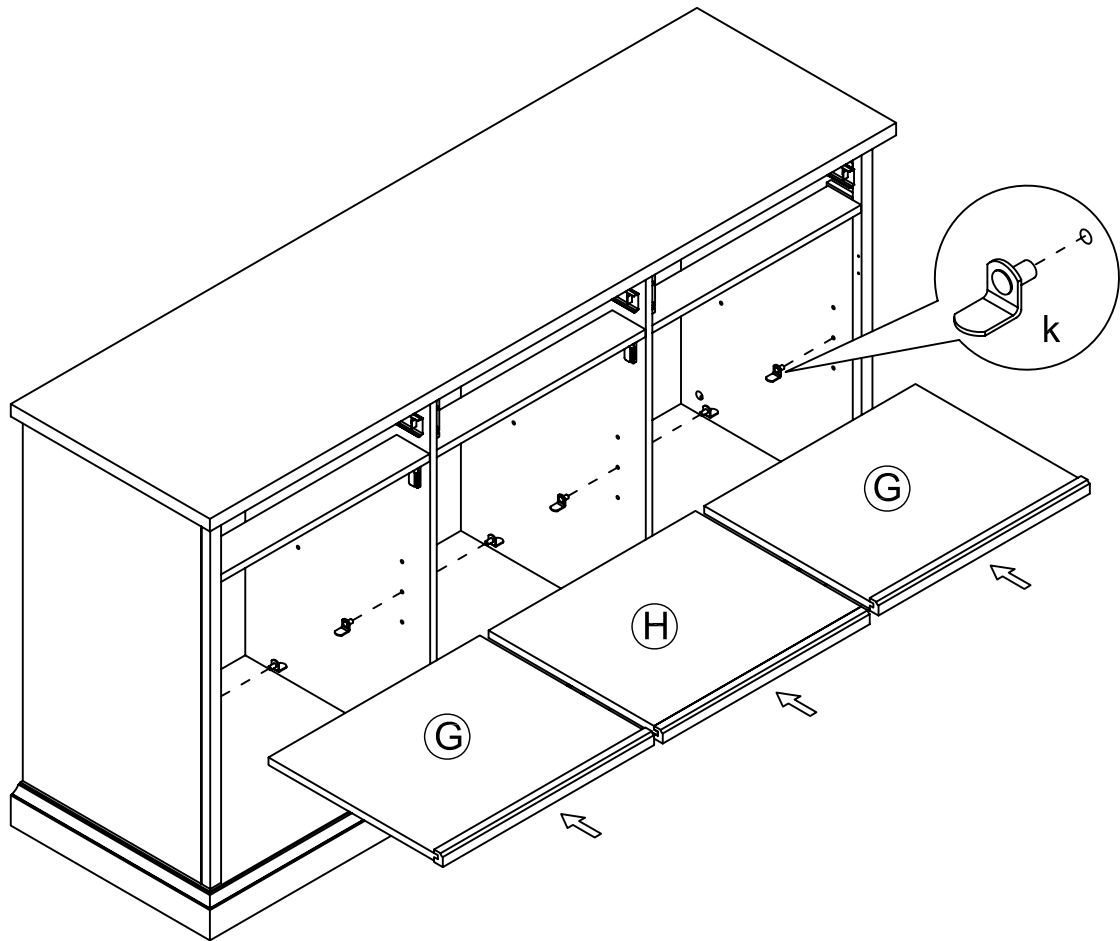
- INSTALL THE WOOD DOWEL (a) AND THE CAM LOCK BOLT (b) INTO THE TOP PANEL (A).
- JOIN THE TOP PANEL (A) TO THE ASSEMBLED PART BY USING WOOD DOWEL (a) FIRST.
- TIGHTEN THE CAM LOCK BOLT (b) BY USING THE CAM LOCK (c) THROUGH THE PRE-DRILLED HOLES.

FIG 6



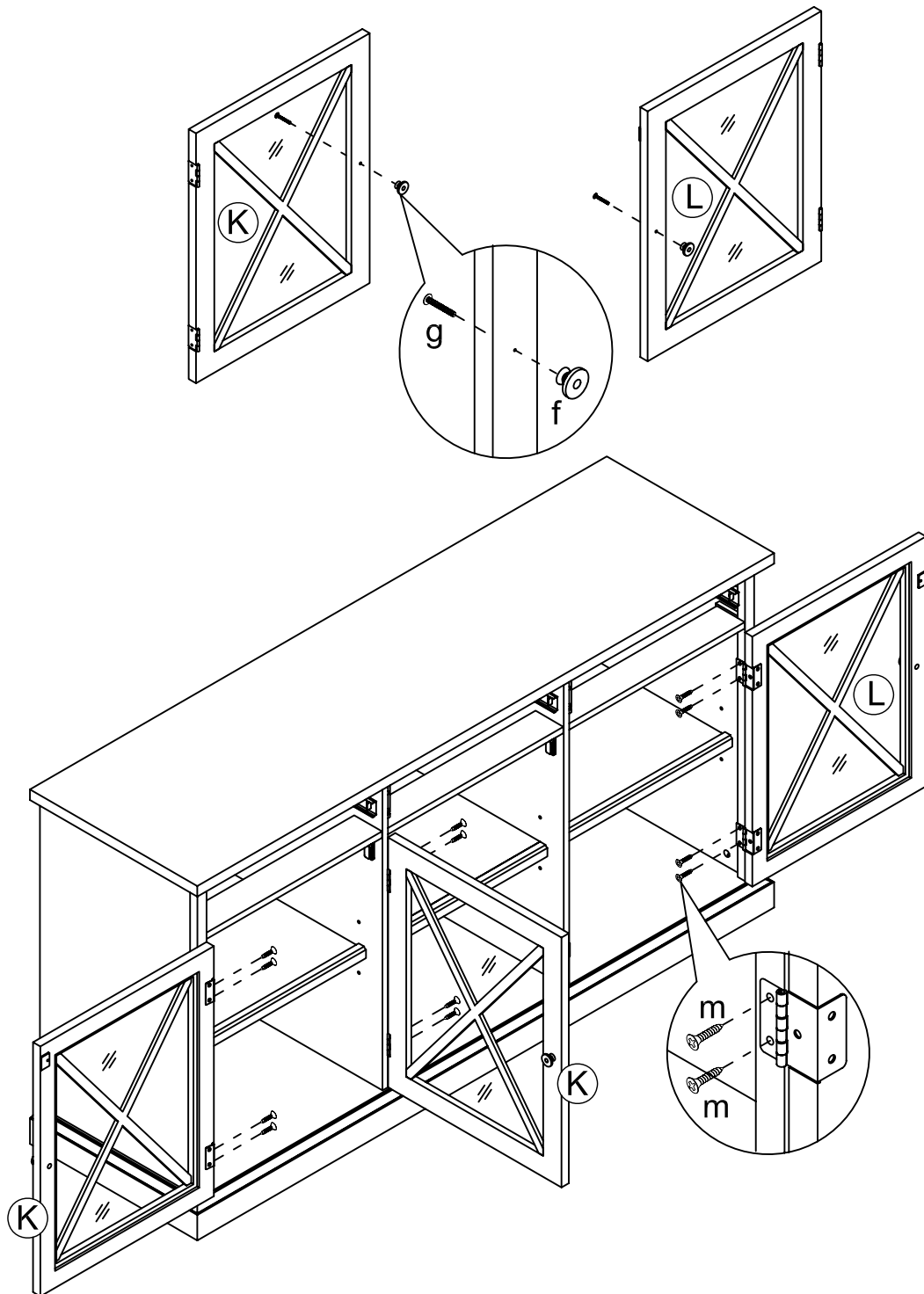
- TIGHTEN THE SIDE BACK PANELS (R) AND THE CENTER BACK PANEL (S) BY USING THE 5/8" L ROUND HEAD SCREW (d) AND THE METAL PLATE (j).

FIG 7



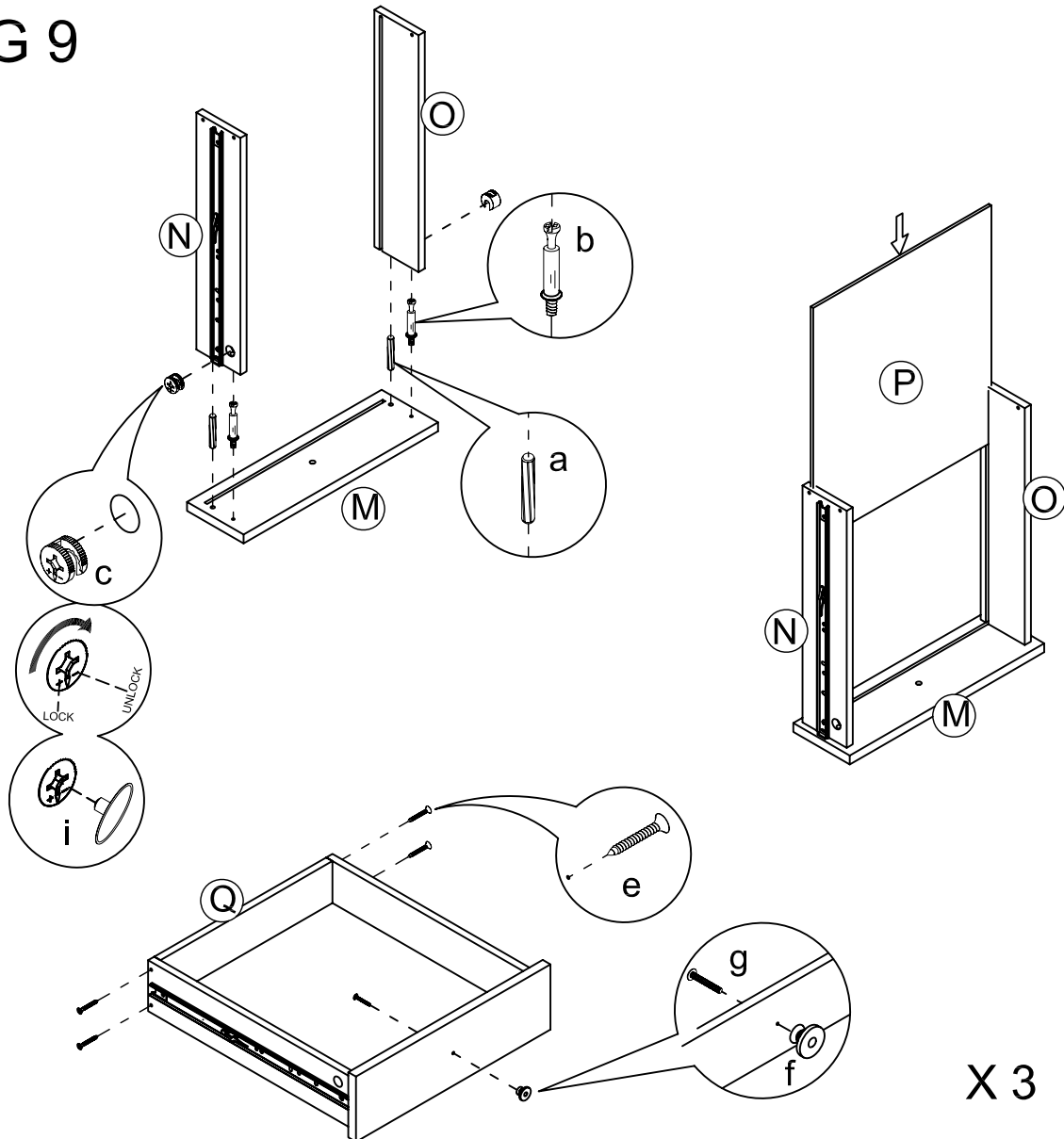
- INSERT THE SHELF PIN (k) IN THE DESIRED POSITION AND PLACE THE SIDE ADJUSTABLE SHELF (G) AND CENTER ADJUSTABLE SHELF (H) ABOVE THE SHELF PIN (k).

FIG 8



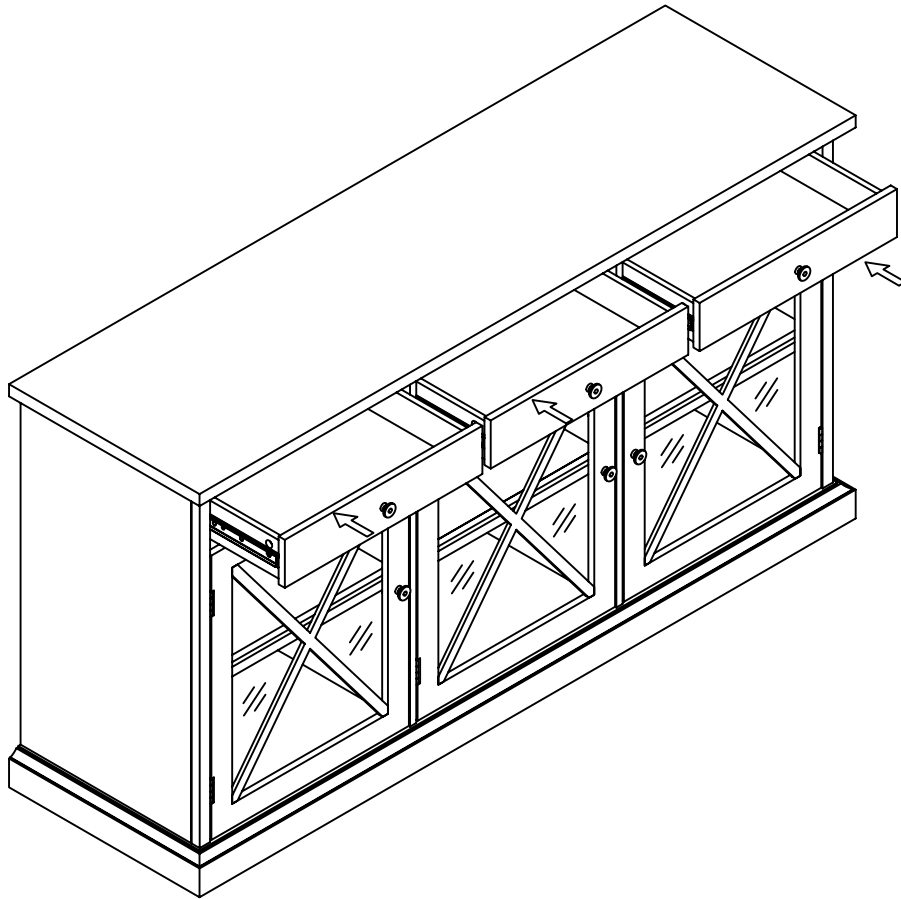
- TIGHTEN THE KNOB (f) ONTO THE LEFT DOOR (K) AND THE RIGHT DOOR (L) BY USING THE KNOB BOLT (g).
- ATTACH THE LEFT DOOR (K) AND THE RIGHT DOOR (L) TO THE ASSEMBLED PART BY USING THE 1/2" L FLAT HEAD SCREW (m).

FIG 9



- INSTALL THE WOOD DOWEL (a) AND THE CAM LOCK BOLT (b) INTO THE DRAWER FRONT PANEL (M).
- JOIN THE DRAWER LEFT SIDE PANEL (N) AND THE DRAWER RIGHT SIDE PANEL (O) TO THE DRAWER FRONT PANEL (M) BY USING WOOD DOWEL (a) FIRST.
- TIGHTEN THE CAM LOCK BOLT (b) BY USING THE CAM LOCK (c) FROM PRE-DRILLED HOLES.
- COVER CAM HOLES WITH THE SHORT PLASTIC COVER (i).
- SLIDE THE DRAWER BOTTOM PANEL (P) INTO THE GROOVE ON THE DRAWER LEFT SIDE PANEL (N) AND THE DRAWER RIGHT SIDE PANEL (O).
- JOIN THE DRAWER BACK PANEL (Q) TO THE ASSEMBLED DRAWER PART AND TIGHTEN THE DRAWER BACK PANEL (Q) BY USING THE 1" FLAT HEAD SCREW (e) THROUGH PRE-DRILLED HOLES ON DRAWER SIDE PANELS.
- TIGHTEN THE KNOB (f) TO THE DRAWER FRONT PANEL (M) BY USING THE KNOB BOLT (g).
- REPEAT STEPS ABOVE FOR THE OTHER TWO DRAWERS.

FIG 10



- INSERT ASSEMBLED DRAWERS TO THE ASSEMBLED PART.