



Garden Cart

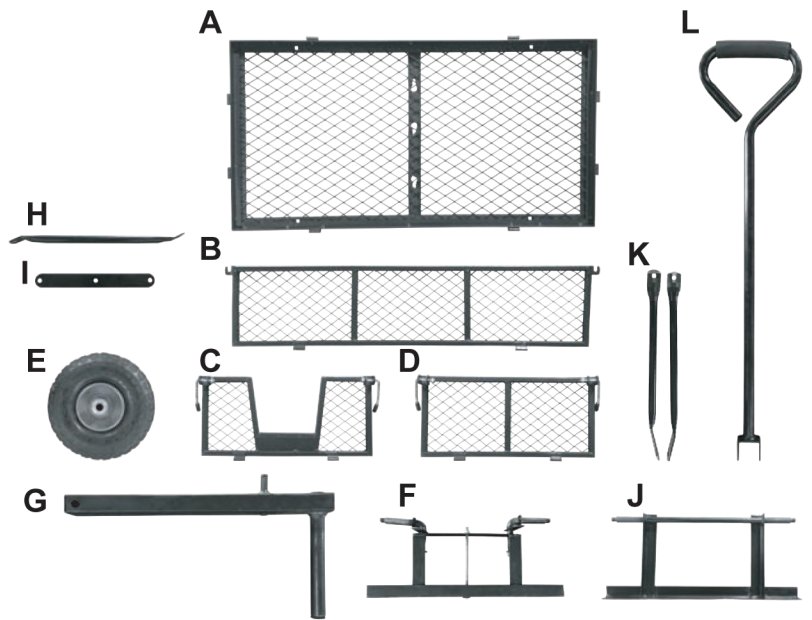
with Removable Folding Sides

1. Remove parts from carton. Place carton on flat surface and complete assembly on the carton to keep from scratching or damaging the finish of parts.

To assemble truck use socket wrench, an adjustable crescent wrench or the wrench provided in the hardware package.

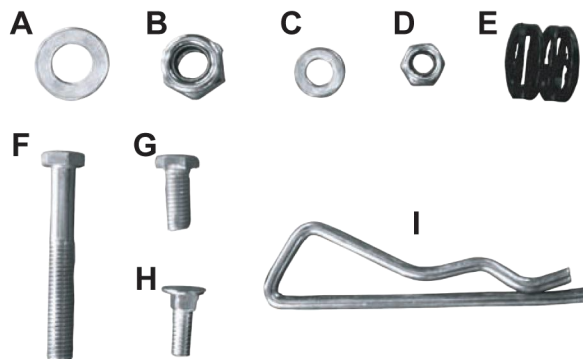
Parts List

- A. Bed (1)
- B. Side Panels (2)
- C. Front Panel (1)
- D. Back Panel (1)
- E. Wheels (4)
- F. Front Axle Support Assembly (1)
- G. Yoke (1)
- H. Front Strut (1)
- I. Front Axle Connection Bar (1)
- J. Rear Axle Support Assembly (1)
- K. Rear Axle Brace (2)
- L. Handle (1)



Hardware List

- A. M12 Washers (4)
- B. M12 Nylon Nuts (4)
- C. M8 Washers (10)
- D. M8 Nylon Nuts (10)
- E. Plastic Spring Washers (4)
- F. M8 x 60 Hex Bolt (1)
- G. M8 x 20 Hex Bolts (2)
- H. M8 x 20 Carriage Bolts (7)
- I. Fence Assembly Pins (8)

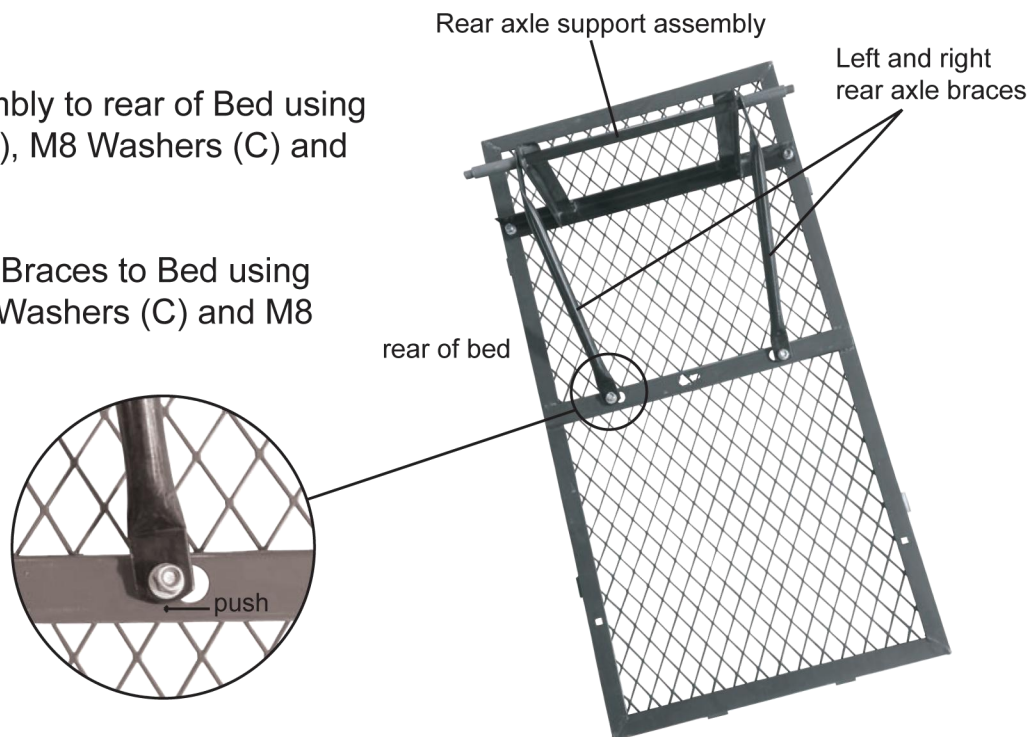


- a. **IMPORTANT SAFETY INSTRUCTIONS**
- b. MAX LOAD: 600 lbs. NEVER OVERLOAD THIS CART
- c. DO NOT inflate tires more than 40 PSI
- d. DO NOT operate if any part is damaged or broken
- e. Lower fence rails when loading large items onto cart
- f. Distribute load evenly in cart bed
- g. DO NOT use on steep inclines where tipping may occur
- h. Do not allow children to use this cart. It is not a toy
- i. It is recommended that you do not modify or use this cart for any application other than that for which it was designed
- j. **MAINTENANCE**
- k. When not in use, store the cart in a place which is dry and out of direct sunlight
- l. Periodically check tire pressure. The tire pressure should be set at 38 +/-2 PSI
- m. Periodically check hardware. Retighten if any hardware is loose.

2. Turn Truck Bed upside down.

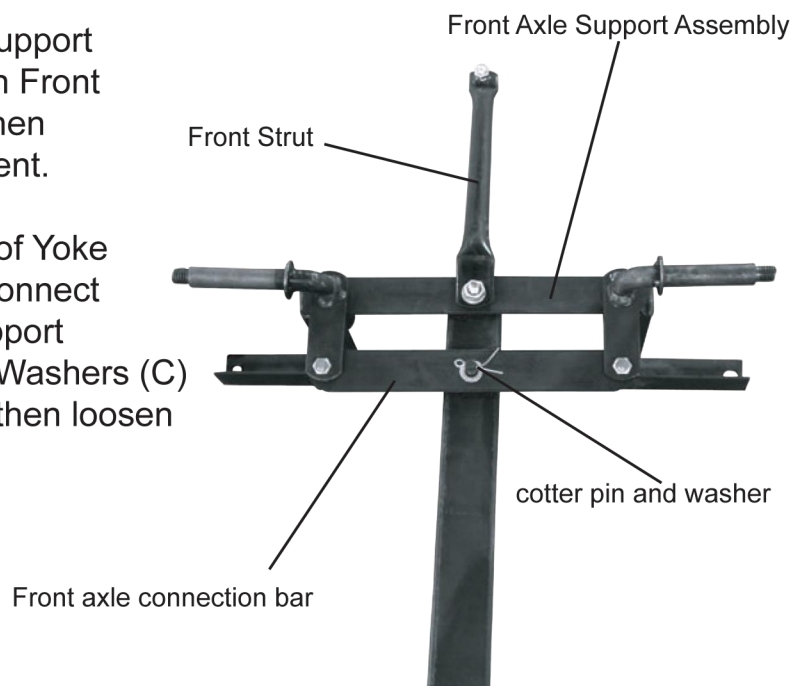
Attach Rear Axle Support Assembly to rear of Bed using using M8 x 20 Carriage Bolts (H), M8 Washers (C) and M8 Nylon Nuts (D).

Attach Left and Right Rear Axle Braces to Bed using M8 x 20 Carriage Bolts (H), M8 Washers (C) and M8 Nylon Nuts (D) per side.



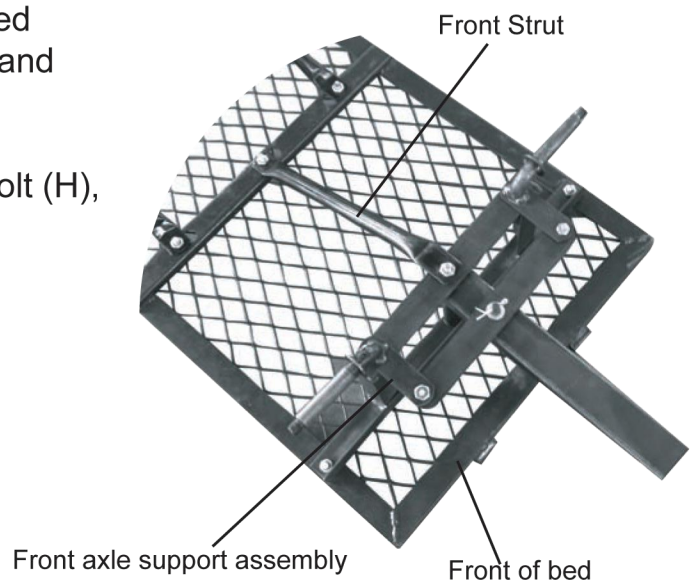
3. Attach the Yoke / Front Strut to Front Axle Support Assembly by using long screw, nut & washer on Front Axle Support Assembly. Tighten bolt fully and then loosen one half turn for easier steering movement.

Place Front axle connection bar above upright of Yoke and secure with Cotter Pin and washer. Then connect Front axle connection bar under Front Axle Support Assembly by using M8 x 20 Hex Bolts (G), M8 Washers (C) and M8 Nylon Nuts (D). Tighten bolts fully and then loosen one half turn for easier steering movement.



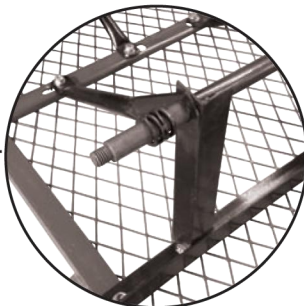
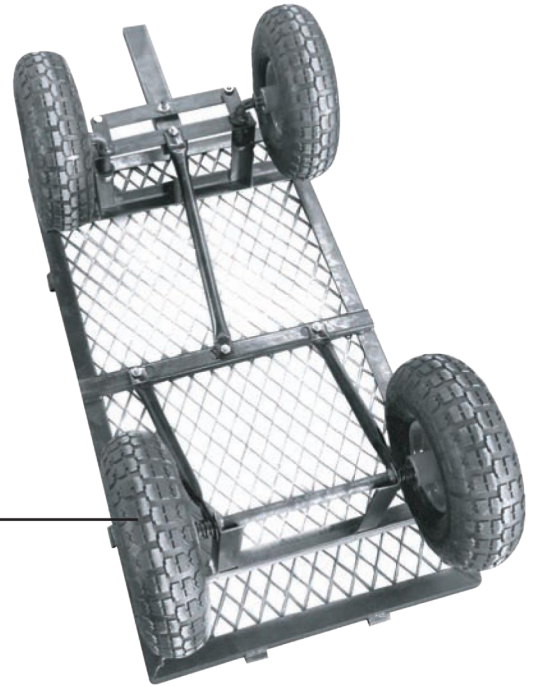
4. Attach Front Axle Support Assembly to front of Bed using M8 x 20 Carriage Bolts (H), M8 Washers (C) and M8 Nylon Nuts (D).

Attach Front Strut to Bed using M8 x 20 Carriage Bolt (H), M8 Washer (C) and M8 Nylon Nut (D). Tighten bolts fully.



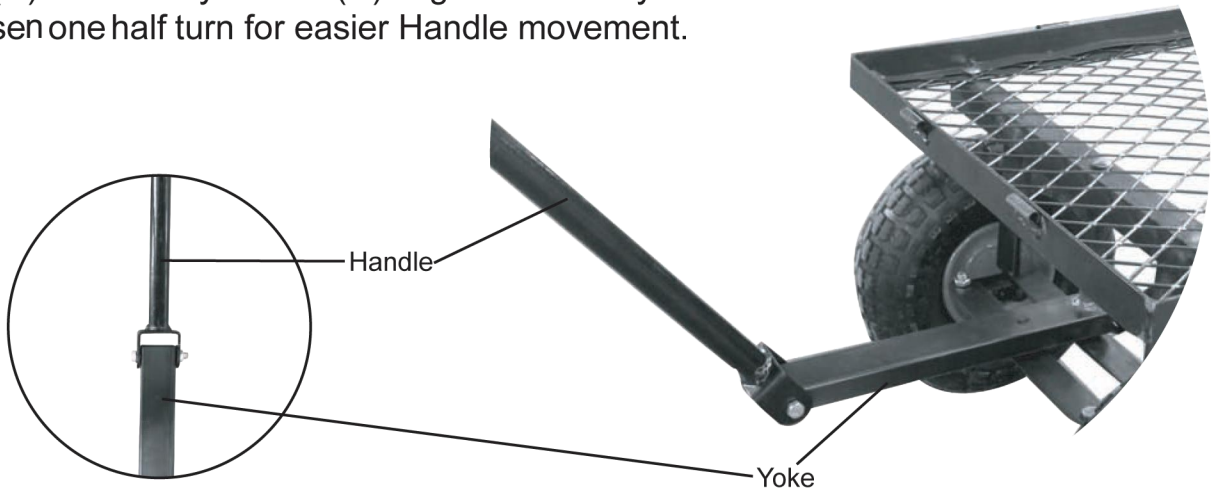
5. To attach the wheels, first put plastic Spring Washer (E) on axle, then put wheel on to axle and secure with M12 Washer (A) and M12 Nylon Nut (B)

Complete step for all 4 wheels.

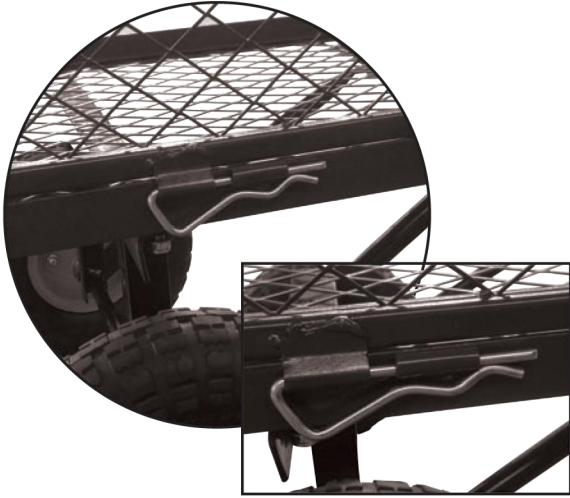


Turn truck over onto wheels.

6. Secure Handle to Yoke using the M8 x 60 Hex Bolt (F) M8 Washer (C) and M8 Nylon Nut (D). Tighten bolt fully and then loosen one half turn for easier Handle movement.

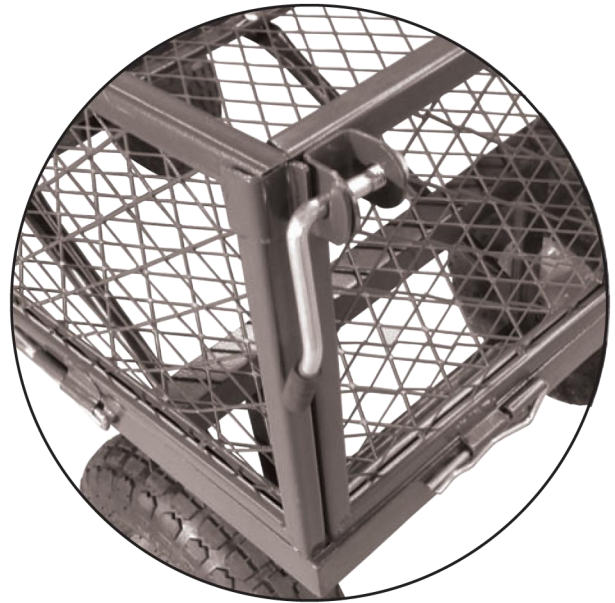


7. One at a time, attach the Side Panels by aligning the hinges, sliding Fence Assembly Pins (I).



8. To lock the Sides in place, hold Side Panel in the up position. Rotate Side Panel Lock Lever from the up position to the down position and in doing so capture the Side Panel hook.

To fold truck sides down rotate the Side Panel Lock Levers into the up position and fold panels down.



9. If desired, you may store the truck on its end. If doing so, please exercise caution so the truck does not fall over.



Thank you for choosing Sunnydaze Decor. If you have any questions, comments or concerns please feel free to contact us by phone at: 888-881-4668, by email: customerservice@serenityhealth.com. To contact us via live chat, select green "Live Chat" button on the upper right of our home page: www.SerenityHealth.com.

If you are interested in our other Sunnydaze Decor products, please check us out at: www.SerenityHealth.com Sunnydaze Decor focuses on offering you quality home and garden products. We find innovative and useful products for your interior and exterior space by traveling the globe. The talented designers we find in our travels develop high-quality end products that provide you with a stunning new piece for your space. Our main goal is to find products that will provide your home with a relaxing, yet beautiful element. Those products include indoor and outdoor fountains, hammocks, hammock stands and hammock swings or chairs; fire pits and fire pit cooking accessories.

We stand behind our brand and the quality of the items we sell. We will send new parts, or replace products at our discretion within the one year warranty period. Before we can help, you will need to provide proof of purchase with the date of purchase and photos of the defective merchandise. We will use the photos to determine the cause of defect and for future quality control.