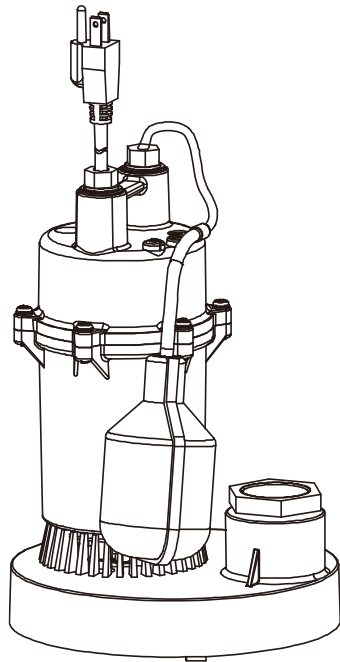




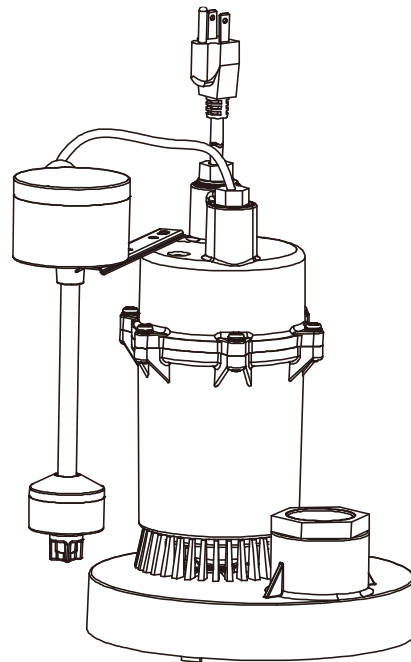
SKU#1000049530, 150029,
1000051513, 461541
Model#SBA025BC, SBA033BC,
SBA033V1, SBA050BC

USE AND CARE GUIDE

SUBMERSIBLE SUMP PUMP



SBA025BC, SBA033BC, SBA050BC



SBA033V1

Questions, problems, missing parts? Before returning to the store call

Everbilt Customer Service

8 a.m. - 6 p.m., EST, Monday-Friday

1-877-527-0313

HOMEDEPOT.COM

THANK YOU

We appreciate the trust and confidence you have placed in Everbilt through the purchase of this submersible sump pump. We strive to continually create quality products designed to enhance your home. Visit us online to see our full line of products available for your home improvement needs. Thank you for choosing Everbilt!


Table of Contents


Table of Contents	2	Pre-Installation (continued)	5
Performance.....	2	PACKAGE CONTENTS	5
Safety Information	2	SPECIFICATIONS	5
Safety Information (continued).....	3	Installation	6
Warranty	3	Installation (continued).....	7
Pre-Installation.....	4	Operation	7
APPLICATION	4	Care and Cleaning	8
TOOLS REQUIRED	4	Troubleshooting.....	9
MATERIALS REQUIRED (NOT INCLUDED)	4		


Performance


SKU	HP	GPH of Water @ Total Feet Of Lift					Max. Lift
		0 ft.	5 ft.	10 ft.	15 ft.	20 ft.	
1000049530	1/4	3000	2700	2400	1700	1000	22 ft.
150029,1000051513	1/3	3400	3150	2800	2000	1400	26 ft.
461541	1/2	3800	3500	3200	2500	1800	27 ft.


Safety Information


 **DANGER:** Do not pump flammable or explosive liquids such as oil, gasoline, kerosene, ethanol, etc. Do not use in the presence of flammable or explosive vapors. Using this pump with or near flammable liquids can cause an explosion or fire, resulting in property damage, serious personal injury, and/or death.


 **DANGER:** ALWAYS disconnect the power to the pump before servicing.


 **DANGER:** Do not touch the motor housing during operation. The motor is designed to operate at high temperatures. Do not disassemble the motor housing.


 **DANGER:** Do not handle the pump or pump motor with wet hands or when standing on a wet or damp surface, or in water before disconnect the power.


 **WARNING:** Release all pressure and drain all water from the system before servicing any component.


 **WARNING:** Secure the discharge line before starting the pump. An unsecured discharge line will whip, possibly causing personal injury, and/or property damage.


 **WARNING:** Extension cords may not deliver sufficient voltage to the pump motor. Extension cords present a life threatening safety hazard if the insulation becomes damaged or the connection ends fall into water. The use of an extension cord to power this pump is not permitted.


 **WARNING:** Wear safety goggles at all times when working with pumps.

 **WARNING:** This unit is designed only for use on 115 volts (single phase), 60 Hz, and is equipped with an approved 3-conductor cord and 3-prong grounded plug. Do not remove the ground pin under any circumstances. The 3-prong plug must be directly inserted into a properly installed and grounded 3-prong, grounding-type receptacle. Do not use this pump with a 2-prong wall outlet. Replace the 2-prong outlet with a properly grounded 3-prong receptacle (a GFCI outlet) installed in accordance with the National Electrical Code and local codes and ordinances. All wiring should be performed by a qualified electrician.

 **WARNING:** Protect the electrical cord from sharp objects, hot surfaces, oil, and chemicals. Avoid kinking the cord. Do not use damaged or worn cords.

 **WARNING:** Failure to comply with the instruction and designed operation of this unit may void the warranty. ATTEMPTING TO USE ADAMAGED PUMP can result in property damage, serious personal injury, and/or death.

 **WARNING:** Ensure that the electrical circuit to the pump is protected by a 15 Amp fuse or circuit breaker.

 **CAUTION:** Do not lift the pump by the power cord.

Safety Information (continued)



CAUTION: Know the pump and its applications, limitations, and potential hazards.



CAUTION: Secure the pump to a solid base. This will aid in keeping the pump in a vertical orientation. This is critical in keeping the pump operating at maximum efficiency. It will also help prevent the pump from clogging resulting in premature failure.



CAUTION: Periodically inspect the pump and system components to ensure the pump suction screen is free of mud, sand, and debris. Disconnect the pump from the power supply before inspecting.



CAUTION: Follow all local electrical and safety codes, along with the National Electrical Code (NEC). In addition, all Occupational Safety and Health Administration (OSHA) guidelines must be followed.



IMPORTANT: Ensure the electrical power source is adequate for the requirements of the pump.



IMPORTANT: This pump is made of high-strength, corrosion-resistant materials. It will provide trouble-free service for a long time when properly installed, maintained, and used. However, inadequate electrical power to the pump, dirt, or debris may cause the pump to fail. Please carefully read the manual and follow the instructions regarding common pump problems and remedies.



IMPORTANT: The motor of this pump has a thermal protector that will trip if the motor becomes too hot. The protector will reset itself once the motor cools down and an acceptable temperature has been reached. The pump may start unexpectedly if it is plugged in.

Warranty

The manufacturer warrants the products to be free from defects in materials and workmanship for a period of one year from date of purchase. This warranty applies only to the original consumer purchaser and only to products used in normal use and service. If within one year this product is found upon examination by the manufacturer to be defective in materials or workmanship, the manufacturer's only obligation, and your exclusive remedy, is the repair or replacement of the product at the manufacturer's discretion, provided that the product has not been damaged through misuse, abuse, accident, modifications, alterations, neglect or mishandling. Your original receipt of purchase is required to determine warranty eligibility.

The purchaser must pay all labor and shipping charges necessary to replace the product covered by this warranty.

This Limited Warranty does not cover products which have been damaged as a result of an accident, misuse, abuse, negligence, alteration, improper installation or maintenance, or failure to operate in accordance with the instructions supplied with the products, or operational failures caused by corrosion, rust, or other foreign materials in the system.

Requests for service under this warranty shall be made by returning the defective product to the manufacturer as soon as possible after the discovery of any alleged defect. The manufacturer will subsequently take corrective action as promptly as reasonably possible.

The manufacturer does not warrant and especially disclaims any warranty, whether express or implied, of fitness for a particular purpose, other than the warranty contained herein. This is the exclusive remedy and any liability for any and all indirect or consequential damages or expenses whatsoever is excluded.

Some states do not allow the exclusion or limitation of incidental or consequential damages or limitations on how long an implied warranty lasts, so the above limitations or exclusions may not apply to you. This warranty gives you specific legal rights and you may also have other rights which vary from state to state.

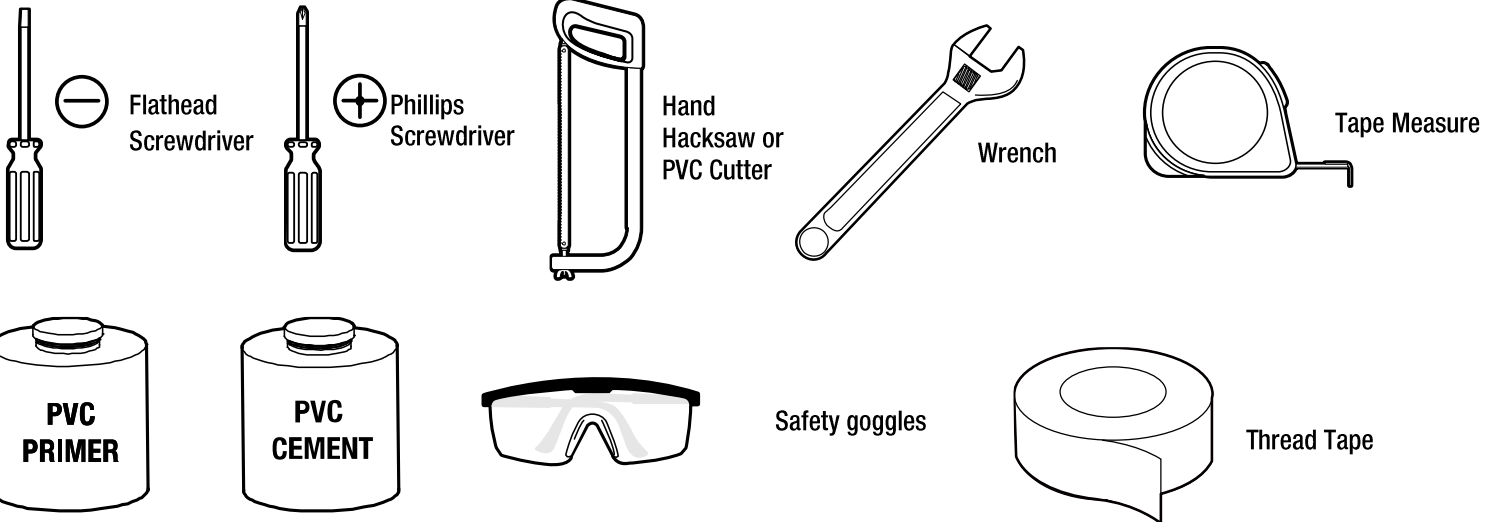
Contact the Customer Service Team at 1-877-527-0313 or visit HOMEDEPOT.COM.

Pre-Installation

APPLICATION

- This submersible sump pump is designed for home sump applications. Use this pump only for pumping water.
- This unit is not designed as a waterfall or fountain pump, or for applications involving salt water or brine! Use with waterfalls, fountains, salt water or brine will void warranty.
- Do not use where water recirculates.
- Not designed for use as a swimming pool drainer.

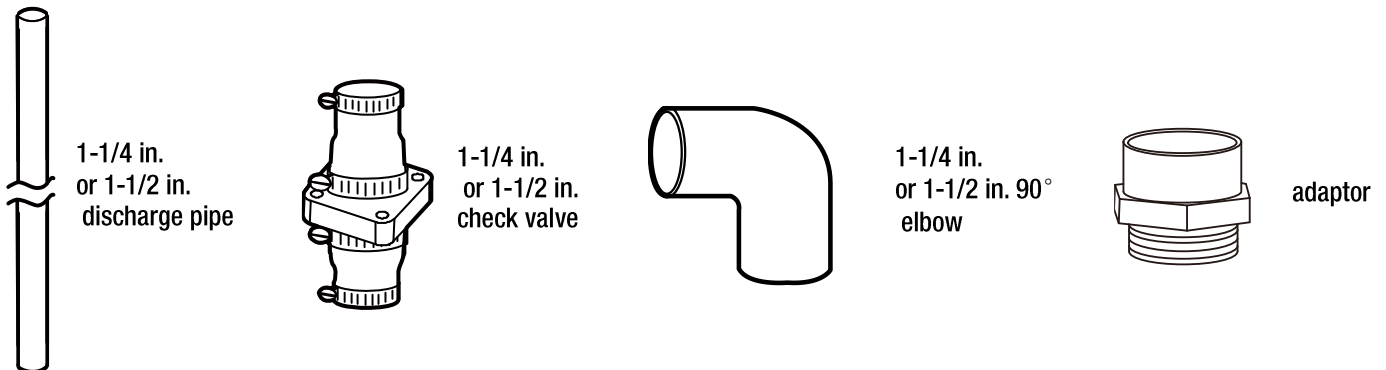
TOOLS REQUIRED



MATERIALS REQUIRED (NOT INCLUDED)



NOTE: Parts shown below not to scale.

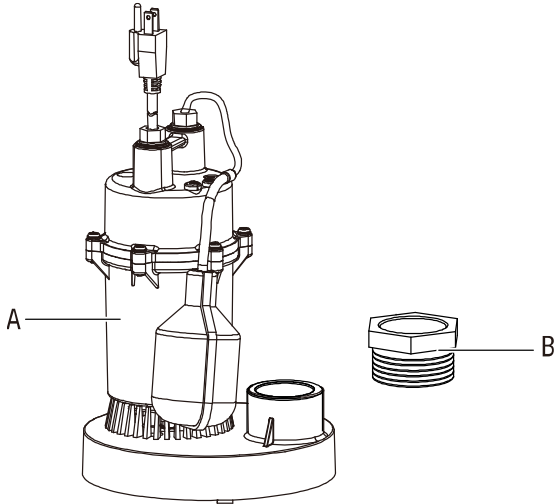


Pre-Installation (continued)

PACKAGE CONTENTS



NOTE: The adaptor is not shown to scale.



Part	Description
A	Pump
B	Adaptor (1-1/2 in. MNPT X 1-1/4 in. FNPT)

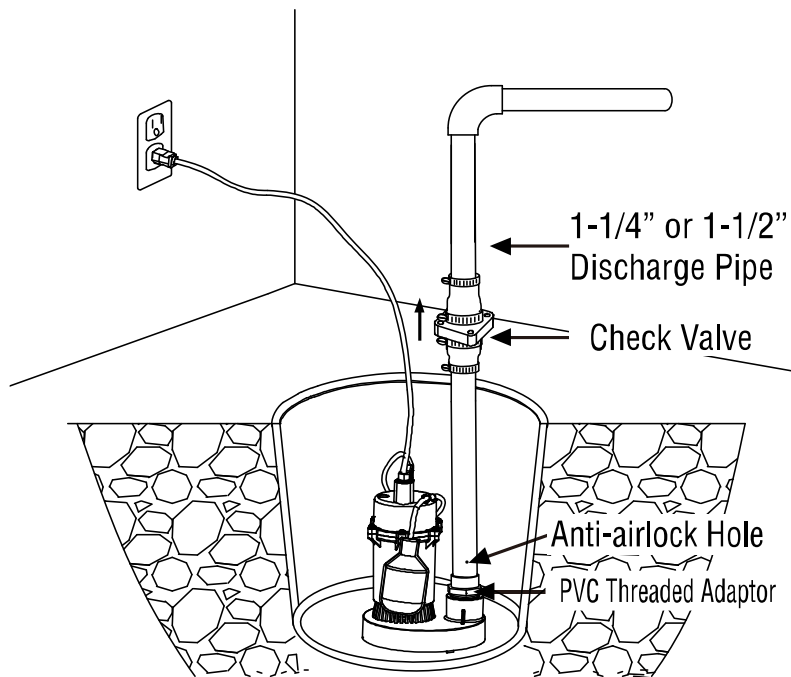
SPECIFICATIONS

Power supply	115V, 60 HZ., 15 Amp Circuit
Liquid temp. range	35°F to 77°F (1°- 25°C)
Discharge size	1-1/2 in. FNPT or 1-1/4 in. FNPT (with adaptor)
Sump basin	Min. 14 in. (356 mm) diameter, 18 in. (457 mm) depth for tethered switch Min. 10 in. (254 mm) diameter, 14 in. (356 mm) depth for vertical switch



NOTE: Do not reduce size of discharge pipe or hose below 1-1/4" diameter. If discharge is too small, pump will overheat and fail prematurely. This pump is designed for use in a residential sump only. Only pump water with this pump.

Installation



1. Install pump in sump pit with minimum diameter of 10" (254mm) for models equipped with vertical switches and 14" (356mm) for tethered float switch models. Sump depth should be 14" (356mm) for vertically switched models and 18" (457mm) for tethered models. Construct sump pit of tile, concrete, steel or plastic. Check local codes for approved materials and for proper installation.
2. Install pump in pit so that switch operating mechanism has maximum possible clearance.
3. Pump should not be installed on clay, earth or sand surfaces. Clean sump pit of small stones and gravel which could clog pump. Keep pump inlet screen clear.



NOTE: Do not use ordinary pipe joint compound on plastic pipe. Pipe joint compound can attack plastics.

4. Install discharge plumbing. Use rigid plastic pipe and wrap threads with PTFE pipe thread sealant tape. Screw pipe into pump hand tight plus 1-1/2 turns.



CAUTION: Risk of flooding. Can cause personal injury and/or property damage. If a flexible discharge hose is used, make sure pump is secured in sump to prevent movement. Failure to secure pump may allow pump movement, switch interference and prevent pump from starting or stopping.

5. To reduce motor noise and vibrations, a short length of rubber hose (1-7/8" (47.6mm) I.D., e.g. radiator hose) can be connected into discharge line near pump using suitable clamps.
6. Install an in-line check valve or an in-pump check valve to prevent flow backwards through pump when pump shuts off.



NOTE: If your check valve is not equipped with an air bleed hole to prevent air locking pump, drill a 1/8" (3.2 mm) hole in discharge pipe just above where the discharge pipe screws into the pump discharge. Be sure the hole is below the waterline and the check valve to prevent air locks.

Installation (continued)

7. Power Supply: Pump is designed for 115 V., 60 Hz., operation and requires a minimum 15 amp individual branch circuit. Plug the power plug into a 115V GFCI power outlet.



WARNING: Risk of electric shock. Can shock, burn or kill. Pump should always be electrically grounded to a suitable electrical ground such as a grounded water pipe or a properly grounded metallic raceway, or ground wire system. Do not cut off round ground pin.

8. If pump discharge line is exposed to outside subfreezing atmosphere, portion of line exposed must be installed so any water remaining in pipe will drain to the outfall by gravity. Failure to do this can cause water trapped in discharge to freeze which could result in damage to pump.

9. After piping, check valve have been installed, the unit is ready for operation.

10. Check the pump operation by filling sump with water and observing pump operation through one complete cycle.



CAUTION: Risk of flooding. Can cause personal injury and/or property damage. Failure to make this operational check may lead to improper operation, premature failure, and flooding.

Operation



WARNING: Risk of electric shock. Can shock, burn or kill. Do not handle a pump or pump motor with wet hands or when standing on wet or damp surface, or in water.

1. Shaft seal depends on water for lubrication. Do not operate pump unless it is submerged in water as seal may be damaged if allowed to run dry.

2. Motor is equipped with automatic reset thermal protector. If temperature in motor should rise unduly, switch will cut off all power before damage can be done to motor. When motor has cooled sufficiently, switch will reset automatically and restart motor. If protector trips repeatedly, pump should be removed and checked. Low voltage, long extension cords, clogged impeller, very low head or lift, or a plugged or frozen discharge pipe, etc., could cause protector to trip.

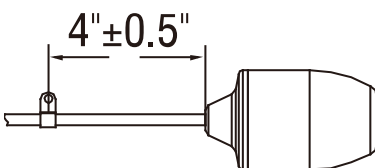
3. Pump will not remove all water. If operating a pump manually, and suddenly no water comes out of the discharge hose, shut off the unit immediately. The water level is probably very low and the unit has broken prime.



WARNING: Risk of electric shock. Risk of electric shock. Can shock, burn or kill. Before attempting to check why unit has stopped operating, disconnect power from unit.



CAUTION: Do Not Change the preset tether length.



Care and Cleaning



CAUTION: Always use the handle to lift the pump. Never use the power cord to lift the pump. To avoid skin burns, unplug the pump and allow time for it to cool after periods of extended use.

Do

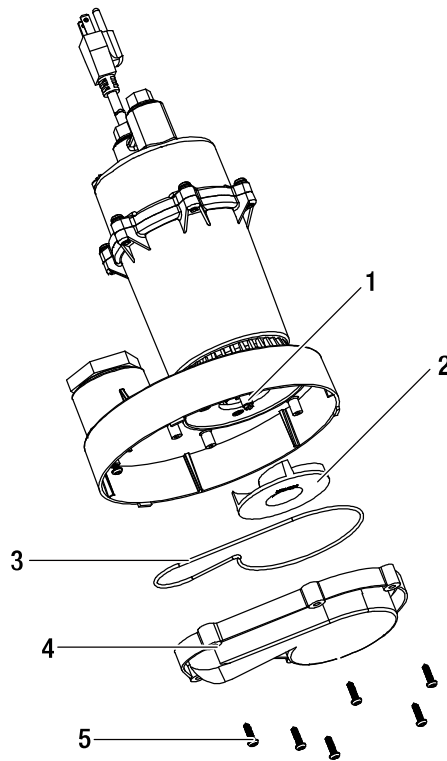
- When the power is disconnected, inspect the pump suction screen and remove all debris, then plug the pump back into the grounded (GFCI) outlet.

Do Not

- Do not disassemble the motor housing. This motor has NO repairable internal parts, and disassembly may cause leakage or dangerous electrical wiring issues.
- Do not lift up the pump by the power cord.

To clean a pump clogged with debris:

- Unplug the pump from electrical power.
- Unscrew the stainless screws (5), and remove the volute (4)
- Use a flathead screwdriver to hold the shaft (1), then turn the impeller (2) counterclockwise to release the impeller (2).
- Remove debris from around the shaft (1) and on/under the impeller (2).
- Reassemble the pump.



Troubleshooting

Problem	Possible Cause	Corrective Action
The pump does not start or run.	<ol style="list-style-type: none">1. The fuse is blown.2. The breaker is tripped.3. The plug is disconnected.4. The plug is corroded.5. There is thermal overload.6. The switch failed.7. The motor failed.	<ol style="list-style-type: none">1. Replace the fuse.2. Reset the breaker.3. Secure the plug.4. Clean the plug prongs.5. Unplug for 30 minutes and then plug in again.6. Replace the switch.7. Replace the pump.
The pump operates but pumps little or no water.	<ol style="list-style-type: none">1. The screen is blocked.2. Debris is caught in the impeller or discharge.3. The impeller is loose on the shaft or the impeller is broken.	<ol style="list-style-type: none">1. Clean the screen.2. Remove the debris.3. Reassemble the impeller or replace the impeller.
The pump starts and stops too often.	<ol style="list-style-type: none">1. There is a backflow of water from the piping or the check valve is leaking.2. The float switch is stuck.	<ol style="list-style-type: none">1. Install a check valve or replace the check valve.2. Clean the float switch to make sure the float moves up and down freely.
The pump will not shut off.	<ol style="list-style-type: none">1. The switch is tangled.2. The float switch is faulty.3. The float is obstructed.	<ol style="list-style-type: none">1. Reposition the pump and make sure the switch moves freely.2. Replace the switch.3. Remove the obstruction.



Questions, problems, missing parts? Before returning to the store call
Everbilt Customer Service
8 a.m. - 6 p.m., EST, Monday-Friday

1-877-527-0313

HOMEDEPOT.COM

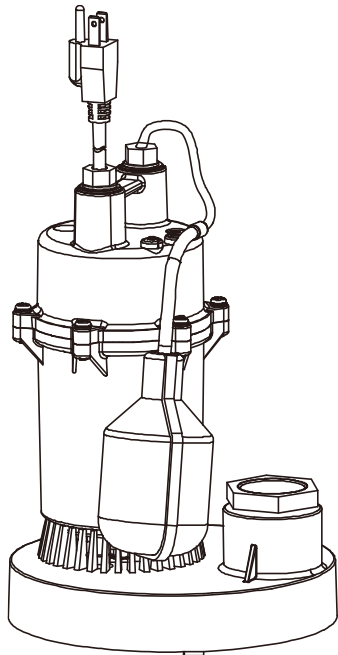
EVERBILT™

SKU#1000049530, 150029 ,100051513,
461541

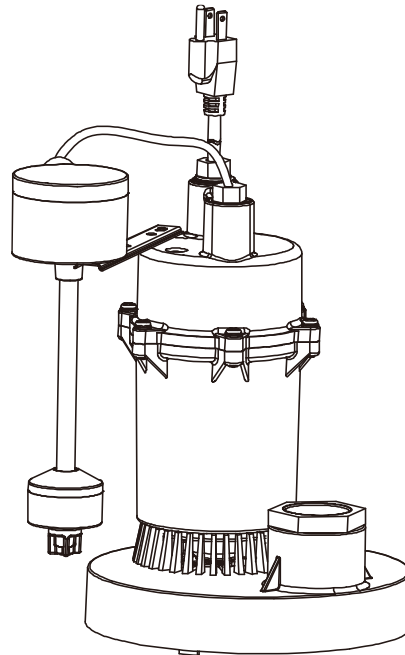
Model#SBA025BC, SBA033BC,
SBA033V1, SBA050BC

GUÍA DE USO Y DE MANTENIMIENTO

BOMBA DE SUMIDERO SUMERGIBLE



SBA025BC,SBA033BC,SBA050BC



SBA033V1

¿Preguntas, problemas, piezas que faltan? Antes de devolverla a la tienda,
llame a Servicio al Cliente de
8:00 AM a 6:00 pm EST de Lunes a Viernes.

1-877-527-0313

HOMEDEPOT.COM

¡GRACIAS!

Nosotros agradecemos la confianza que Usted ha puesto en Everbilt por la compra de esta bomba de sumidero sumergible. Nos esforzamos continuamente para crear productos de calidad diseñados para mejorar su hogar. Visítenos en nuestra página de internet para ver la línea completa de productos disponibles para las mejoras de su hogar. ¡Gracias por escoger a Everbilt!

Table Des matières

Table Des matières..... 12
 Funcionamiento 12
 Información De Seguridad..... 12
 Garantía 13
 Pre-Montaje..... 14
 Aplicación..... 14
 MATERIALES REQUERIDOS (NO INCLUIDOS)..... 14

CONTENIDO DEL PAQUETE..... 15
Especificaciones..... 15
 Montaje 16
 Operación 17
 Cuidado Y Mantenimiento 18
 Solución de Problemas 19

Funcionamiento

SKU	HP	GPH (Galones por hora) de Agua @ Pies (Metros) de Altura					Máx. Levante
		0 ft.	5 ft.	10 ft.	15 ft.	20 ft.	
1000049530	1/4	3000	2700	2400	1700	1000	22 ft.
150029,1000051513	1/3	3400	3150	2800	2000	1400	26 ft.
461541	1/2	3800	3500	3200	2500	1800	27 t.

Información De Seguridad



PELIGRO: No bombee líquidos inflamables o explosivos como aceite, gasolina, queroseno, etc. No lo use cerca o en presencia de vapores inflamables o explosivos. El uso de este producto cerca o con líquidos inflamables puede causar una explosión o un incendio causando daños a su propiedad, lesiones personales, y/o muerte.



PELIGRO: SIEMPRE desconecte la bomba antes de hacerle mantenimiento.



PELIGRO: No toque el motor mientras esté funcionando. Este producto está diseñado para funcionar a altas temperaturas. No desmonte motor ni el protector del motor.



PELIGRO: No use la bomba o el motor de la bomba con las manos mojadas, o cuando esté de pie sobre la superficie mojada o húmeda, o en agua.



ADVERTENCIA: Descargue toda presión y desagüe toda el agua del sistema antes del mantenimiento de cualquier componente.



ADVERTENCIA: Asegure el cable de descarga antes de empezar hacer funcionar la bomba. Un cable suelto o no asegurado puede arrebatare causando daños personales o daños a la propiedad.



ADVERTENCIA: Los cables de extensión no ofrecen suficiente voltaje al motor de la bomba. Los cables de extensión pueden presentar un peligro para la seguridad si el material de aislamiento se daña o si las puntas de conexión caen el agua. El uso de un cable extensión no está con esta bomba NO está permitida.



ADVERTENCIA: Use gafas de seguridad en todo momento que use la bomba.



ADVERTENCIA: Esta unidad está diseñada de un uso de 115 voltios (una sola fase), 60 Hz, y está equipada con un cable de 3 conductores y un enchufe de conexión de tierra (3 clavijas). NO quite el alfiler bajo ninguna circunstancia. El enchufe de conexión de tierra tiene que estar directamente y correctamente instalado en un receptáculo de conexión de tierra (3 clavijas). No use esta bomba en un receptáculo de 2 clavijas. Reemplacé el receptáculo de 2 clavijas con un receptáculo apropiado de 3 clavijas con conexión a tierra (GFCI) de acuerdo al Código Eléctrico Nacional y las ordenanzas locales. Todas las conexiones deben ser hechas por un electricista profesional.



ADVERTENCIA: Proteja el cable eléctrico de objetos afilados, superficies calientes, aceite, y químicos. Evite enroscar los cables. No use cables dañados o desgastados.



ADVERTENCIA: El no cumplir con las instrucciones de la operación de esta unidad puede anular la garantía. EL INTENTO DE USAR UNA BOMBA DAÑADA puede resultar en daños a la propiedad, serios daños personales y/o muerte.



ADVERTENCIA: Asegúrese de que el circuito eléctrico a la bomba este protegido por un fusible de 15 amperios o un cortacircuitos.



CAUTELA: No levante la bomba por el cable eléctrico.

Información De Seguridad (seguido)



CAUTELA: Conozca de la bomba las aplicaciones, las limitaciones y los peligros potenciales.



CAUTELA: Asegúrese de que la bomba esté en una base sólida para mantenerla vertical por encima de barro y tierra durante el funcionamiento para maximizar la eficiencia de la bomba y prevenir que se tape o una falla prematura.



CAUTELA: Periódicamente inspeccione la bomba y los componentes del sistema para asegurar que las entradas estén libres de barro, arena y mugre. **DESCONECTE DEL ENCHUFE LA BOMBA ANTES DE INSPECCIONARLA.**



CAUTELA: Siga sus códigos de seguridad eléctrica local, especialmente los del Código Eléctrico Nacional (NEC) y en el lugar de trabajo. El Acta de Seguridad y Salud Ocupacional. (OSHA).



IMPORTANTE: Asegure que la fuente de electricidad es adecuada para los requisitos que exige la bomba.



IMPORTANTE: Esta bomba está hecha de materiales de alta fuerza y resistentes a la corrosión. Cuando ha sido correctamente instalada no tendrá problemas de mantenimiento o de uso por mucho tiempo. Sin embargo, una conexión inadecuada de la bomba mugre o suciedad puede causar que la bomba falle. Lea cuidadosamente las instrucciones y sigalas con respecto a problemas y soluciones más comunes de la bomba.



IMPORTANTE: El motor de la bomba tiene un protector térmico automático de reajuste que se apaga si la bomba se recalienta. Una vez que el protector térmico detecte que la bomba ha bajado de temperatura permitirá que la bomba funcione normalmente. Si la bomba está conectada puede empezar a funcionar inesperadamente.

Garantía

El fabricante garantiza los productos de cualquier defecto de materiales y mano de obra por un periodo de tres años a partir de la fecha de compra. Esta garantía se aplica solamente al comprador original y únicamente a los productos que han tenido un servicio y un uso en condiciones normales. Si dentro de uno año este producto se encuentra defectuoso el fabricante está obligado y su exclusiva solución es reparar o reemplazar el producto a discreción de este mismo fabricante verificando que este producto no ha sido dañado por mal uso, abuso, accidente, modificaciones, alteraciones, mal manejo, o negligencia. Se requiere el recibo original de compra para determinar su garantía.

El comprador debe pagar por la mano de labor y el transporte necesarios para reemplazar el producto cubierto por esta garantía.

Esta garantía limitada no cubre productos que han sido dañados por el resultado de un accidente, mal uso, abuso, negligencia, alteración, instalación o mantenimiento inapropiados, o falla de operación de acuerdo con las instrucciones suministradas con los productos, o falla operacional causada por corrosión, óxido o materiales extraños en el sistema. Requests for service under this warranty shall be made by returning the defective product to the manufacturer as soon as possible after the discovery of any alleged defect. The manufacturer will subsequently take corrective action as promptly as reasonably possible.

La solicitud de servicio bajo garantía debe ser hecha devolviendo el producto defectuoso a la fábrica tan pronto como sea posible después de descubrir cualquier supuesto defecto. El fabricante tomará las medidas correctivas requeridas tan pronto sea razonablemente posible.

Algunos estados (o departamentos) no permiten la exclusión o limitación de daños incidentales o consecuentes o de limitaciones de tiempo sobre garantías implícitas, de modo que es posible que las limitaciones o exclusiones que preceden no correspondan en su caso. Esta garantía le otorga derechos legales específicos y es posible que usted también tenga otros derechos que pueden variar de un estado al otro.

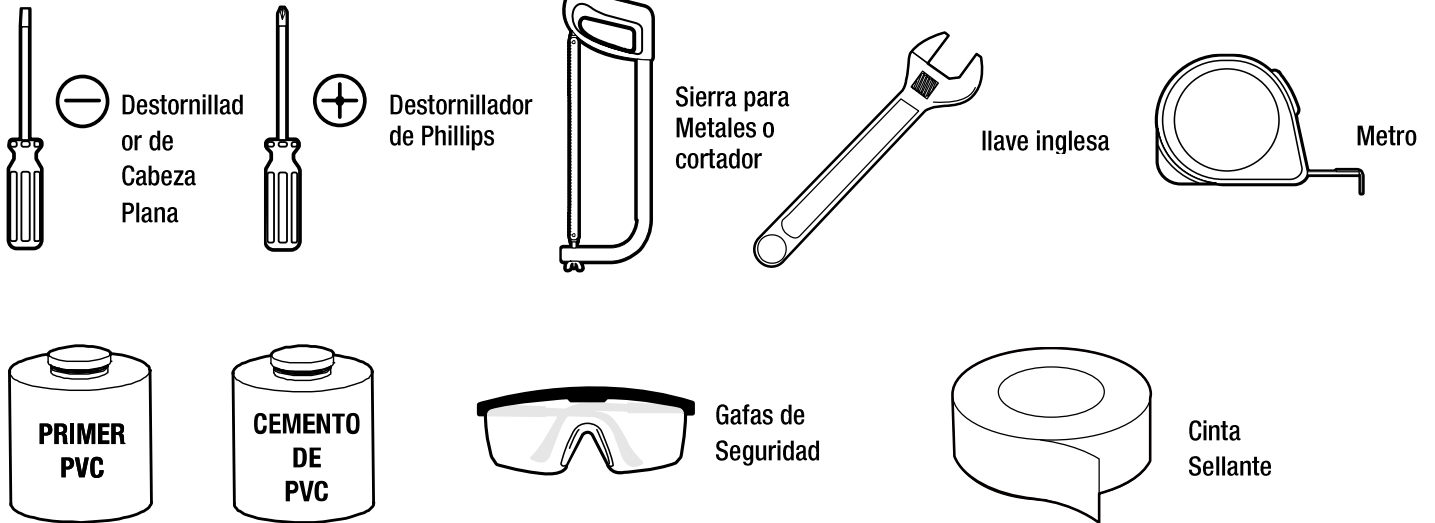
Contacte Servicio al Cliente a 1-877-527-0313 o visite HOMEDEPOT.COM.

Pre-Montaje

Aplicación

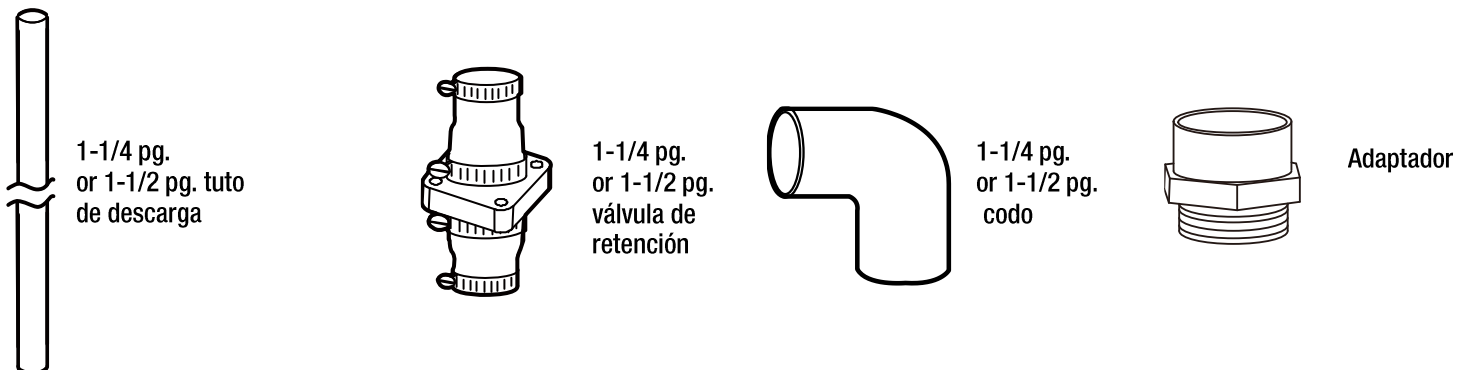
- ❑ Esta bomba de sumidero sumergible está diseñada para aplicaciones de sumidero de hogar. Únicamente bombee agua con esta bomba.
- ❑ Este aparato no está diseñado como bomba de cascada o fuente, ni para aplicaciones con agua salada o de mar. El uso con cascadas, fuentes, agua salada o de mar anulará la garantía.
- ❑ No usar en donde hay recirculación de agua.
- ❑ No ha sido diseñado para usar como desagüador de piscinas de natación.

HERRAMIENTAS REQUERIDAS



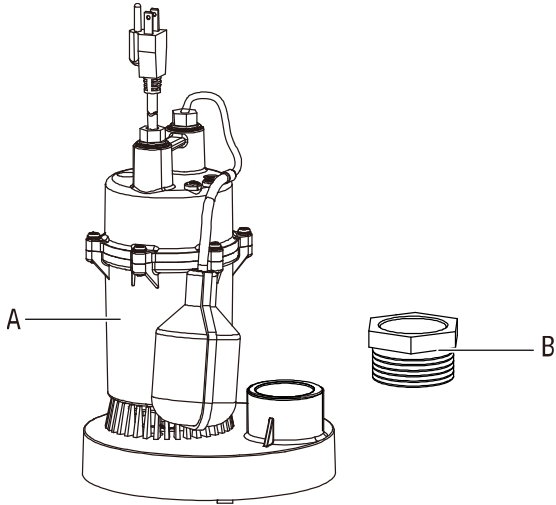
MATERIALES REQUERIDOS (NO INCLUIDOS)

 **NOTA:** Manguera y equipo de manguera no están mostrados a escala.



Pre-Montaje (seguido)

CONTENIDO DEL PAQUETE



Parte	Descripción
A	Bomba
B	Adaptador (1-1 / 2 pulg. MNPT X 1-1 / 4 pulg. FNPT)

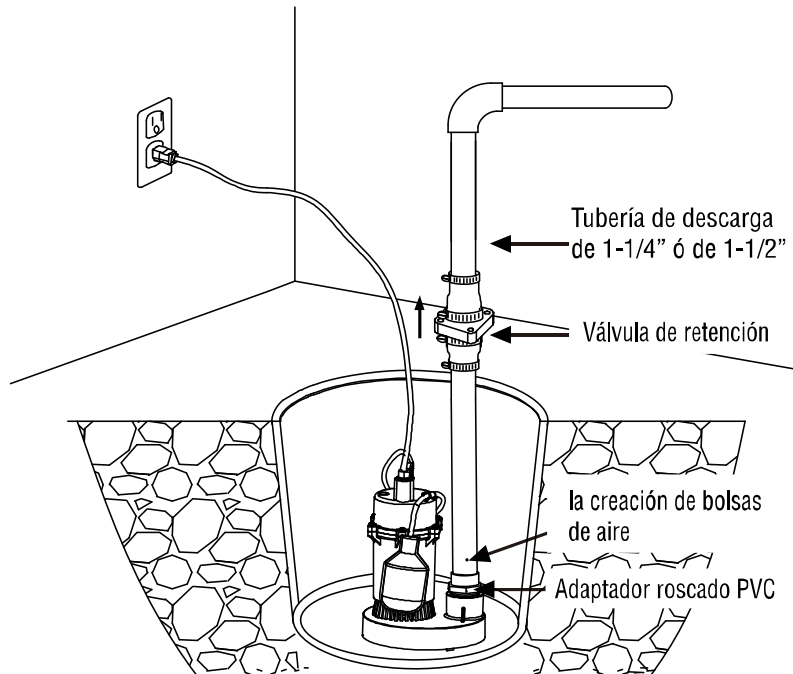
Especificaciones

Voltaje	115V, 60 HZ., Circuito de 15 Amperios
Rango de Temperatura de Líquido	1°C a 25°C (35°F a 77°F)
Tamaño de descarga	NPT Hembra de 1-1/2 pg. o de 1-1/4 pg.
Colector de fango	Min. (457 mm) de profundidad para el interruptor tethered 14 pulg. (356 mm) de diámetro, 18 en. Min. (356 mm) de profundidad para el interruptor vertical de 10 pulg. (254 mm) de diámetro, 14 en.



NOTA: No reduzca el tamaño de la tubería o de la manguera de descarga a un diámetro menor de 1-1/4". Si la descarga es demasiado pequeña, la bomba se recalentará y fallará prematuramente.

Montaje



1. Instale la bomba en un foso de recogida con un diámetro mínimo de 10" (254 mm.) para los modelos con interruptores verticales y de 14" (356 mm.) para los modelos con interruptor de flotador anclado. La profundidad del sumidero debe ser de 18" (457 mm.) para los modelos anclados y de 14" (356 mm.) para los modelos con interruptores verticales. Construya el foso de recogida de losetas, hormigon, acero o plastico. Confirme los materiales aprobados y la instalacion adecuada requeridos por las normas locales.

2. Instale la bomba en el pozo de manera que el mecanismo de operacion del interruptor tenga el mayor juego posible.

3. La bomba no debe ser instalada en arcilla, tierra o superficies arenosas. Saque las piedritas y arenillas quepuedan haber en el pozo del sumidero pues pueden obstruir la bomba. Mantenga limpio el filtro de admision de la bomba.



NOTA: No use obturador de juntas de tuberia en las tuberias de plastico. El obturador de juntas de tuberia puede danar el plastico.

4. Instale la tuberia de descarga. Use tuberias de plastico rigido y envuelva las roscas con cinta sellante de PTFE para roscas de tuberia. Enrosque la tuberia en la bomba a mano, y despues aprieta 1-1/2 vueltas.



ADVERTENCIA: Risque d'inondation. Peut causer le mauvais fonctionnement ou une panne prematuree de la pompe. Si se usa una manguera de descarga flexible, asegurese de que la bomba este bien immobilizada para que no pueda moverse dentro del sumidero. Si la bomba no estabien firme puede moverse y causar interferencia con el interruptor e impedir que la bomba se ponga en marcha o se detenga.

5. Para reducir el ruido y las vibraciones del motor, se puede conectar un pedazo corto de manguera de goma de un diámetro exterior de 47,6 mm (1 7/8"), (por ej. manguera de radiador) a la tuberia de descarga cerca de la bomba, utilizando abrazaderas convenientes.

6. Instale una valvula de retencion en la linea o una valvula de retencion dentro de la bomba para evitar que el flujo retroceda a traves de la bomba cuando la bomba esta apagada.



NOTA: Si su valvula de retencion no viene equipada con un orificio de purga de aire para impedir la creacion de bolsas de aire en la bomba, perforo un orificio de 1/8" (3.2 mm) en la tuberia de descarga, justo por encima del punto en que la tuberia de descarga se atornilla a la descarga de la bomba. Verifique que el orificio quede debajo de la linea de agua y de la valvula de retencion para impedir la creacion de bolsas de aire.

Montaje (seguido)

7. Fuente de Alimentación: La bomba esta diseñada para funcionar con corriente de 115 V., 60 Hz. y requiere un ramal individual minimo de 15 amps. Conecte el cable de alimentación a una toma de alimentación GFCI de 115V



ADVERTENCIA: Risque de secousses électriques. Pouvant causer des brulures, voire la mort. La bomba siempre debe ser puesta a tierra en una tierra electrica adecuada tales como una tuberia en el agua que este puesta a tierra o un conducto metalico debidamente puesto a tierra o un sistema de alambre de puesta a tierra. No corte la clavija redonda de puesta a tierra.

8. Si la tuberia de descarga de la bomba esta expuesta a temperaturas exteriores inferiores al punto de congelacion, la porcion expuesta de la tuberia debe ser instalada de manera que toda agua que quede en la tuberia se drene por gravedad hacia la descarga.

El incumplimiento de esto puede causar que el agua atrapada en la tuberia de descarga se congele, lo cual podria resultar en dano para la bomba.

9. Despues de haber instalado la tuberia, la valvula de retencion, la unidad esta lista para funcionar.

10. Verifique el funcionamiento de la bomba llenando el sumidero con agua y observando el funcionamiento de la bomba por un ciclo completo.



CAUTELA: Risque d'inondation. Peut causer le mauvais fonctionnement ou une panne prematuree de la pompe. El incumplimiento de esta verificacion del funcionamiento puede resultar en funcionamiento impropio, falla prematura e inundacion.

Operación



ADVERTENCIA: Risque de secousses électriques. Pouvant causer des brulures, voire la mort. No manipule la bomba o el motor de la bomba con las manos mojadas o cuando este parado en suelo humedo, mojado o en el agua.

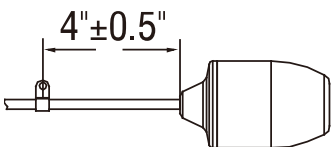
1. La junta del eje depende del agua para su lubricacion. No haga funcionar la bomba a menos que este sumergida en agua ya que la junta puede danarse si se hace trabajar en seco.
2. El motor esta equipado con un protector contra sobrecargas termicas de reposicion automatica. Si la temperatura en el motor se elevara indebidamente, el interruptor puede cortar toda la energia antes de que se produzca dano al motor. Cuando el motor se ha enfriado suficientemente, el interruptor se reposicionara automaticamente y el motor volvera a ponerse en marcha. Si el protector se desengancha en forma continua, la bomba debe ser sacada y revisada para verificar cual es el problema. Baja tension, cables de alargue largos, impulsor atascado, muy baja altura de aspiracion o elevacion o una tuberia de descarga tapada o congelada, etc. pueden hacer que se pase por el ciclo.
3. La bomba no saca toda el agua. La bomba no aspirara toda el agua. Si se esta operando la bomba en forma manual y de repente no sale agua de la manguera de descarga, apague la unidad inmediatamente. Probablemente el nivel del agua es muy bajo y la unidad ha dejado de cebar.



ADVERTENCIA: Risque de secousses électriques. Pouvant causer des brulures, voire la mort. Antes de intentar revisar porque la bomba ha dejado de funcionar, desconecte la energia electrica.



CAUTELA: No cambiar el largo de la traba preestablecido.



Cuidado Y Mantenimiento



CAUTELA: Siempre use la manilla para levantar la bomba. Nunca use el cordón o el cable eléctrico para levantar la bomba. Para evitar quemaduras, desconecte la bomba y permita un tiempo para que la bomba se enfríe después de un largo tiempo de uso.

Usted Debe Hacer lo Siguiete

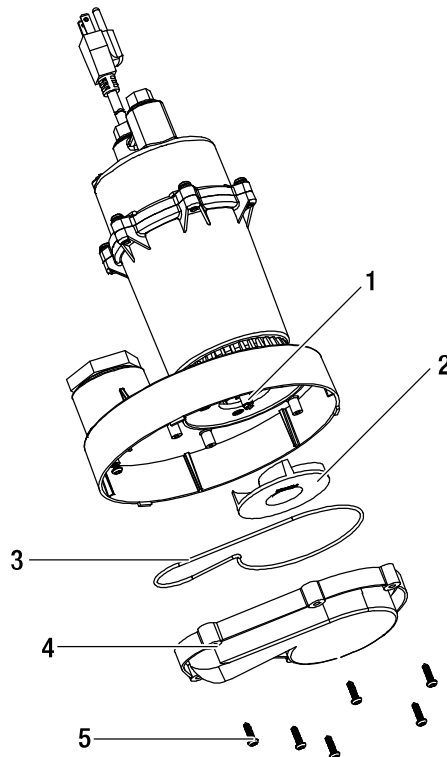
- Cuando el cable esta desconectado, inspeccione la bomba y remueva todo la mugre, en seguida conecte la bomba de nuevo a la toma con conexión a tierra (GFCI).

Usted NO Debe Hacer lo Siguiete

- Desarme el motor. Este motor NO tiene piezas internas reparables y el desarmarla puede causar fuga o problemas eléctricos peligrosos.
- Levantar la bomba por el cable.

Para limpiar una bomba que está bloqueada por mugre:

- Desconecte la bomba de la energía eléctrica.
- Aflojar los tornillos de acero inoxidable (5), y retire la voluta (4)
- Utilice un destornillador plano para sujetar el eje (1), gire el impulsor (2) hacia la izquierda para liberar el impulsor (2).
- Retire los residuos de todo el eje (1) y sobre / debajo del impulsor (2).
- Volver a montar la bomba.



Solución de Problemas

Problema	Causa Posible	Acción Correctiva
La bomba no prende o no funciona	<ol style="list-style-type: none"> 1. Fusible fundido 2. Salto de interruptor 3. Enchufe no conectado 4. Enchufe oxidado 5. Motor recalentado 6. Falla con el interruptor de flotador 7. Motor falló 	<ol style="list-style-type: none"> 1. Reemplace fusible 2. Reajuste el interruptor 3. Asegure el enchufe 4. Limpie las puntas del enchufe 5. Desenchufe la bomba por 30 minutos, luego vuelva a enchufar la bomba. Replace switch. 6. Reemplace la bomba. 7. Vuelva a colocar la bomba.
La Bomba prende pero bombea poca agua o no bombea agua en lo más mínimo	<ol style="list-style-type: none"> 1. Pantalla bloqueada 2. Desechos atrapados en el tubo de descarga o en el impulsor. 3. El impulsor se encuentra flojo en el eje. El impulsor está roto. 	<ol style="list-style-type: none"> 1. Limpie la pantalla. 2. Quite los desechos. 3. Arme el impulsor de nuevo.
La bomba empieza y se apaga muy a menudo	<ol style="list-style-type: none"> 1. El retroflujo de agua en el tubo de descarga o la válvula gotea. 2. El interruptor flotante está bloqueado. 	<ol style="list-style-type: none"> 1. Instale una válvula de chequeo o reemplace la válvula de chequeo. 2. Limpie la del interruptor flotante y asegure que el flotador puede mover hacia arriba y hacia abajo.
La bomba no apaga.	<ol style="list-style-type: none"> 1. El interruptor está enredado 2. El interruptor de flotador está flojo. 3. El flotador está obstruido. 	<ol style="list-style-type: none"> 1. Recoloque la bomba y asegure que nada esté enredado. 2. Reemplace el interruptor 3. Quite cualquier obstrucción



?Preguntas, problemas, piezas que faltan? Antes de devolverla a la tienda, llame a

Servicio al Cliente de 8:00 AM a 6:00 pm EST de Lunes a Viernes.

1-877-527-0313

HOMEDEPOT.COM