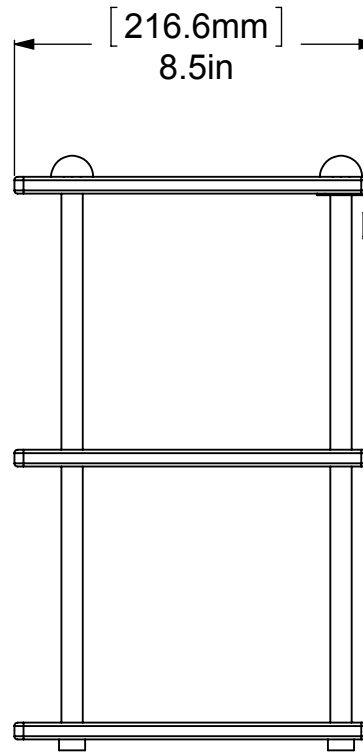
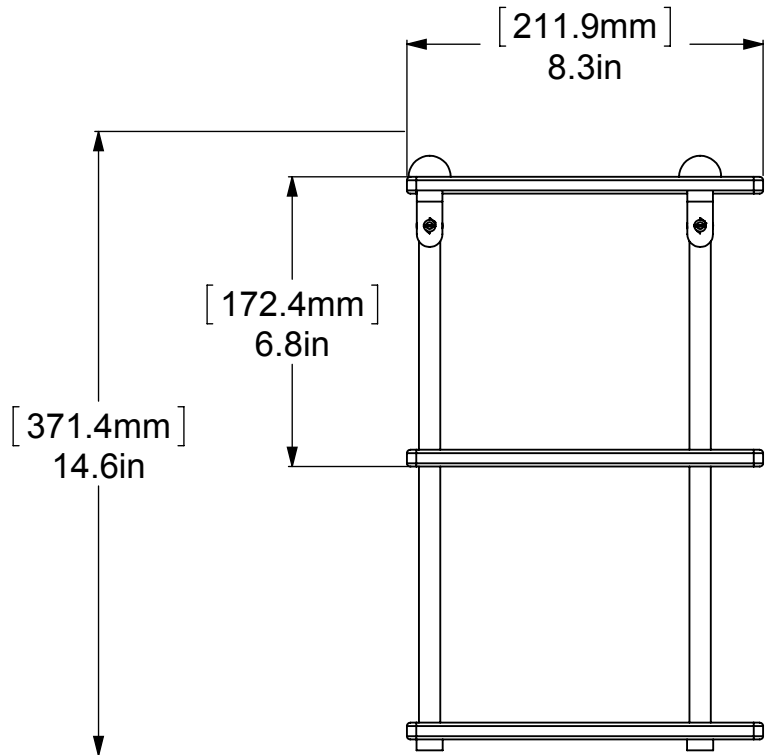
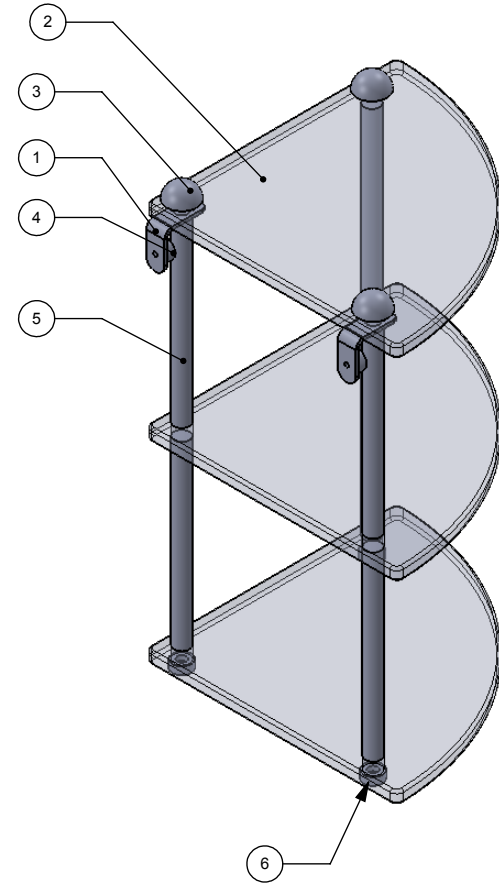
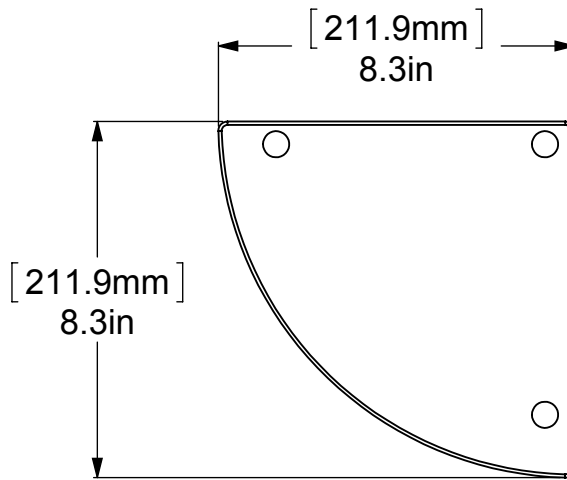


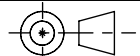
ITEM NO.	P/N	Description	QTY.
1	BKSH-1	BRACKET	2
2	GLRT-8	GLASS	3
3	CAHR-1	END CAP	3
4	CARD-58	LOCK	2
5	TU12-6	TUBE SUPPORT	6
6	CARD-1	BOTTOM CAP	3




UNLESS OTHERWISE STATED

.X	±.3mm
.XX	±.15mm
.XXX	±.008mm

COPYRIGHT © Allied Brass 2016



THIRD ANGLE PROJECTION

DRAWN	7/13/2016	I.M	MATERIAL:	BRASS	FINISH	TBD
CHECKED	7/13/2016	P.D	DESCRIPTION:	SHELF	QUANTITY	TBD
APPROVED	7/13/2016	R.A			DRAWING No.	REV
					RC-6	0
				SCALE	1:4.5	SHEET: 01 A4