

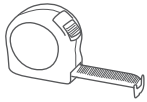
USER CARE & INSTALLATION GUIDE

Note:

Finial shown is for illustration purposes only.
It may not represent the style of finial purchased.
For larger width windows, two persons may be required for easier leveling.

Tools needed:

Tape Measure, Pencil, Drill & Bit Set, Philips head Screwdriver, Level



Tape Measure



Pencil



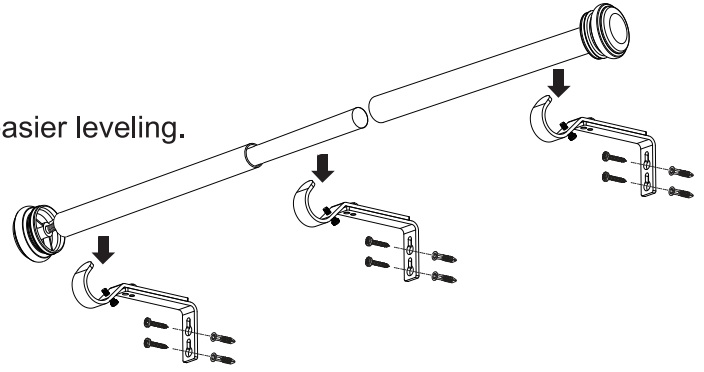
Drill & Bit Set



Philipshead
Screwdriver



Level



BRACKET INSTALLATION

STEP 1.

Place brackets against wall or ceiling at desired locations and mark screw holes. Use tape measure and level to make sure marked screw holes are horizontal to each other.

STEP 2A. (FOR MOUNTING TO DRYWALL, CEILING, OR PANELING)

Pre-drill two pilot holes for each bracket (1/4" drill bit) and insert anchors into wall/ceiling and insert screws into wall anchors.

STEP 2B. (FOR MOUNTING TO WOOD OR STUDS)

If mounting directly into wood or studs, pre-drill two pilot holes for each bracket (1/4" drill bit) and install bracket on the wall with screws provided.

STEP 3.

Determine projection of brackets. Loosen projection screw, slide bracket to desired position and tighten projection screw. Repeat for each bracket.

ROD INSTALLATION

STEP 4.

Detach finial from inner rod.

STEP 5.

Attach finial to extra outer rod. Assemble rod and shirr drapery treatment onto rod.

STEP 6.

Extend rod to desired width and place it into the brackets. Adjust draperies to desired position.

FINAL ADJUSTMENT

STEP 7.

Secure each rod by tightening screws provided.

Care Instruction:

Wipe gently with cloth to clean any sand, dirt, or dust on product. Do not use abrasive cleaners as they may damage the surface finish.

