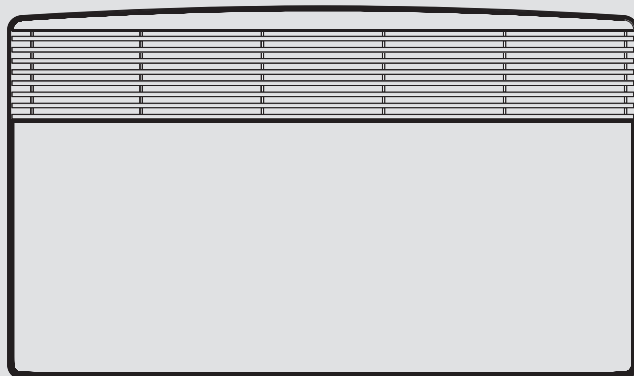


OPERATION AND INSTALLATION GUÍA DE OPERACIÓN E INSTALACIÓN MODE D'EMPLOI ET MANUEL D'INSTALLATION

WALL MOUNTED CONVECTION HEATER
CONVECTOR DE PARED
APPAREIL DE CHAUFFAGE À CONVECTION MURAL

- » CNS 50-2 E
- » CNS 75-2 E
- » CNS 100-2 E
- » CNS 150-2 E
- » CNS 200-2 E
- » CNS 240-2 E



Intertek

STIEBEL ELTRON, Inc.

17 West Street | West Hatfield, MA 01088

Tel. 413-247-3380 | Fax 413-247-3369

Email info@stiebel-eltron-usa.com

www.stiebel-eltron-usa.com

STIEBEL ELTRON

Simply the Best

296658-37804-8875

OPERATION

| | |
|--|----------|
| 1. Important instructions | 2 |
| 1.1 Document information | 2 |
| 1.2 Key to symbols | 2 |
| 2. Safety | 3 |
| 2.1 Intended use | 3 |
| 2.2 Safety information | 3 |
| 2.3 Test symbols | 4 |
| 3. Register your product | 4 |
| 4. Appliance description | 4 |
| 5. Operation | 4 |
| 5.1 Description of the user interface | 4 |
| 5.2 Frost protection | 4 |
| 5.3 Limiting the temperature controller | 4 |
| 5.4 Shutting down | 5 |
| 6. Cleaning, care and maintenance | 5 |
| 7. What to do if ... | 5 |

INSTALLATION

| | |
|---|----------|
| 8. Safety | 5 |
| 8.1 General safety instructions | 5 |
| 8.2 Instructions, standards and regulations | 5 |
| 9. Appliance description | 5 |
| 9.1 Standard delivery | 5 |
| 10. Installation | 5 |
| 10.1 Installing the wall mounting bracket | 5 |
| 10.2 Appliance installation | 6 |
| 10.3 Dismounting the appliance | 6 |
| 10.4 Power supply | 6 |
| 11. Troubleshooting | 6 |
| 12. Appliance handover | 6 |
| 13. Specification | 7 |
| 13.1 Dimensions of wall mounted version | 7 |
| 13.2 Specification table | 7 |

ENVIRONMENT AND RECYCLING

CUSTOMER SERVICE AND WARRANTY

1. IMPORTANT INSTRUCTIONS

SAVE THESE INSTRUCTIONS

When using electrical appliances, basic precautions should always be followed to reduce the risk of fire, electric shock, and injury to persons, including the following:

1. Read all instructions before installing or using this heater.
2. This heater is hot when in use. To avoid burns, do not let bare skin touch hot surfaces. Keep combustible materials, such as furniture, pillows, bedding, papers, clothes, etc. and curtains at least 3 feet (1 m) from the front of the heater and keep them at least 3 feet (1 m) away from the sides and rear.
3. Extreme caution is necessary when any heater is used by or near children or invalids and whenever the heater is left operating and unattended.
4. Do not operate any heater after it malfunctions. Disconnect power at service panel and have heater inspected by a reputable electrician before reusing.

1.1 Document information

The chapter **Operation** is intended for users and heating contractors.

The chapter **Installation** is intended for heating contractors.



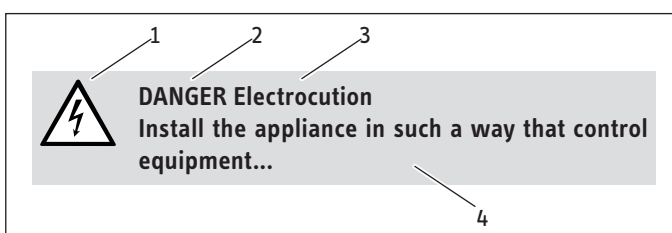
Read these instructions carefully before using the appliance and retain them for future reference. Pass on the instructions to any new users.

1.2 Key to symbols

1.2.1 Layout of safety information

Safety information comprises a warning symbol, a keyword and a text giving information. Safety information is printed on a grey background.

Example:



- 1 Symbol (see chapter on warning symbols/symbols)
- 2 Keyword (see chapter on keywords)
- 3 Description (see chapter on warning symbols/symbols)
- 4 Information text








1.2.2 Keywords

| KEYWORD | Description |
|---------|---|
| DANGER | The keyword DANGER indicates information which must be observed, otherwise serious injury or death will result. |
| WARNING | The keyword WARNING indicates information that must be observed, otherwise serious injury or death may result. |
| CAUTION | The keyword CAUTION indicates information that must be observed, otherwise relatively serious or light injuries may result. |

OPERATION

SAFETY

1.2.3 Warning symbols/symbols

| Warning symbol | Description |
|---|---------------------------|
|  | Injury |
|  | Electrocution |
|  | Burns or scalding |
|  | Other situations |
|  | Fire |
|  | Never cover the appliance |
|  | Appliance disposal |

1.2.4 Text symbols and layout in this documentation



Read the text next to this symbol carefully.

- » The "»" symbol indicates that you should do something. The action you need to take is described step by step.
- Passages with the "-" symbol show you lists of items.

1.2.5 Information on the appliance



Never cover the appliance

1.2.6 Units of measurement



The dimensions in this document are given in in / mm. Any alternative units of measurements are specified accordingly.

2. Safety

2.1 Intended use

This appliance is designed to heat living areas.

Any other use beyond that described shall be deemed inappropriate. Observation of these instructions is also part of the correct use of this appliance. Any modifications or conversions to the appliance void all warranty rights.

2.2 Safety information

Operate the appliance only when fully installed and with all safety equipment fitted.



WARNING Fire

Never operate this appliance ...

- in rooms where the appliance is at risk of fire or explosion as a result of chemicals, dust, gases or vapours.
- in the direct proximity of pipes or receptacles that carry or contain flammable or explosive materials.
- if work such as laying cables, grinding or sealing is carried out in the installation room.
- if sprays, floor polish or similar products containing napsan are used. Vent the room sufficiently before heating.
- if the minimum clearances to adjacent object surfaces are not maintained, for example to furniture, net curtains, curtains, textiles or other flammable materials (for minimum clearances, see pg. 8 section 12).
- if an appliance component is damaged, the appliance has fallen over or already had a fault.



WARNING Injury

Where children or persons with limited physical, sensory or mental capabilities are allowed to control this appliance, ensure that this will only happen under supervision or after appropriate instructions by a person responsible for their safety. Children must be supervised to ensure that they never play with the appliance.



WARNING Fire

Never place any flammable, combustible or insulating objects or materials, such as laundry, blankets, magazines, containers with floor polish or napsan, spray cans or similar on the appliance or in direct proximity to it.



WARNING Burns

The surfaces of the appliance casing and the expelled air become hot during operation (more than 176 °F / 80 °C).



CAUTION Overheating

Never cover the appliance



Never step on the appliance.

ETL / UL designation

The ETL / UL designation shows that the appliance meets all essential requirements according to UL 499

2.3 Type label

See type plate.

The type plate is located on the right on the exterior of the appliance.

3. Register your product



YOU MUST REGISTER THIS PRODUCT WITHIN 90 DAYS OF PURCHASE ON OUR WEB SITE IN ORDER TO ACTIVATE THE STANDARD WARRANTY OR TO BE ELIGIBLE FOR THE EXTENDED WARRANTY. GO TO OUR WEB SITE AT WWW.STIEBEL-ELTRON-USA.COM AND CLICK ON REGISTER YOUR PRODUCT.

Before beginning the registration process, we suggest that you gather the necessary information which will be as follows:

- Type, Example: CNS 100-2 E (from the white label that is on the right side of the unit)
- Number listed after "Nr."
- Place of Purchase
- Purchase Date
- First & Last Name
- Email address
- Physical Address
- Phone Number

IF YOU HAVE ANY QUESTIONS CONCERNING THE REGISTRATION PROCESS OR WARRANTY OPTIONS, PLEASE CONTACT STIEBEL ELTRON USA DIRECTLY AT (800)-582-8423.

4. Appliance description

The appliance is an electric direct heater only for installation on a wall.

The appliance is suitable as a full heating system in bathrooms, for example, or for use between seasons and as a booster heater in smaller rooms, such as hobby and guest rooms.

The air in the appliance is heated by a heating element and expelled via natural convection through the air outlet grille at the top. Cool room air flows in through the apertures at the bottom of the appliance.

After mounting the appliance on the wall and making the electrical connection using a permanent power supply via an appliance socket, the appliance is ready for operation.

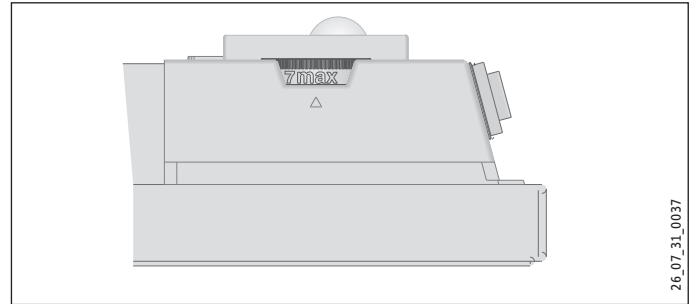
4.1 Series CNS-E

After mounting the appliance on the wall and making the electrical connection using a main breaker, the appliance is ready for operation.

5. Operation

5.1 Description of the user interface

- » Switch the appliance ON via the switch on the right hand side of the appliance.
- » Set the required room temperature via the continuously variable temperature selector (for temperatures see specification chapter).



As soon as the selected room temperature is reached, it is constantly maintained at this selected temperature through periodic heating (the output of the appliance must correspond at least to the required heat demand of the room).

If several appliances are installed in a single room, the setting at the temperature selector on each appliance can be different.

To avoid excessive power consumption when windows are open, you should stop the appliance while venting.

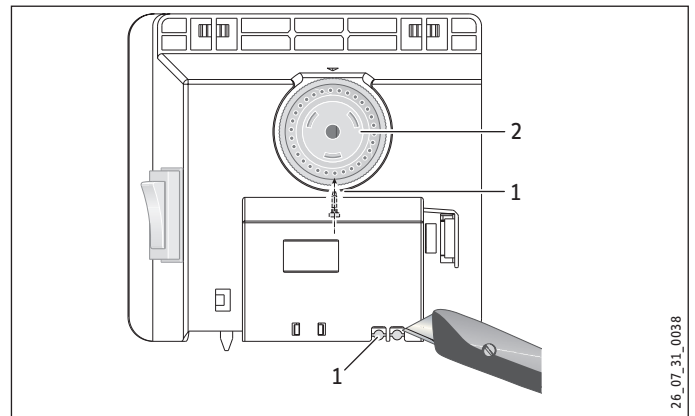
5.2 Frost protection

- » Turn the temperature selector as far to the right as possible. In this position, the temperature controller switches on the heating element automatically if the room temperature drops below the frost protection temperature (47 °F / 7 °C).

5.3 Limiting the temperature controller

Using the two pins fitted to the back of the control casing, you can fix the temperature controller at a certain setting or limit the temperature setting range.

- » Break out the pins.
- » To fix the selected temperature, push a pin into the hole opposite (see diagram).

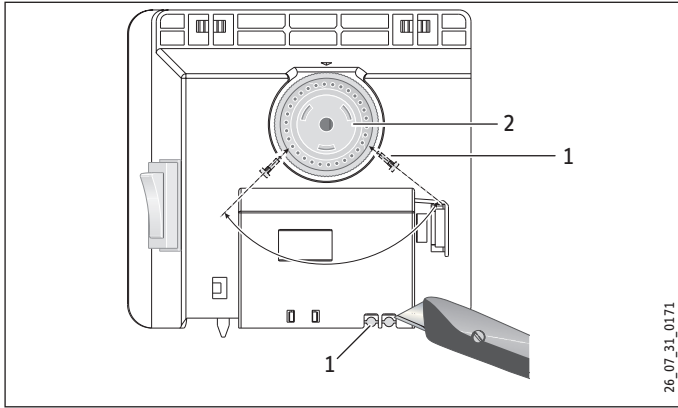


- 1 Pin
- 2 Temperature selector

OPERATION

CLEANING, CARE AND MAINTENANCE

- » To limit the temperature setting range, set the minimum and maximum values at the temperature selector, and push a pin for each into the slightly offset hole opposite (see diagram).



- 1 Pin
2 Temperature selector

5.4 Shutting down

- » Move the switch on the right of the appliance to OFF.

6. Cleaning, care and maintenance



WARNING

Before cleaning, make sure the power has been turned off at the circuit breaker panel and that the heating element of the heater is cool. Failure to do so could result in serious burns, electrocution, serious bodily injury, or death.

If a pale brownish discolouration appears on the appliance casing, wipe this off as soon as possible with a damp cloth. Clean the appliance when cold with ordinary cleaning products. Avoid abrasive or corrosive cleaning products.



CAUTION Fire

Never spray cleaning spray into the air slot. Ensure that no moisture can enter the appliance.

As part of regular maintenance, we recommend also having the control components checked. The safety and control components should be checked by a contractor no more than ten years after commissioning.

7. What to do if ...

... the appliance does not heat up:

Check the temperature set at the appliance and the circuit breaker box.

The appliance has a safety temperature controller that shuts the appliance down if it overheats. After the cause has been removed (for example air outlet or inlet apertures covered) and the appliance has cooled down for a few minutes, operation starts again.

If you cannot remedy the fault, contact your contractor. To facilitate and speed up your enquiry, please provide the number on the type plate (Nr. XXXXXX - XXXX - XXXXXX)

8. Safety

Only qualified contractors should carry out installation, commissioning, maintenance and repair of the appliance.

8.1 General safety instructions

We guarantee trouble-free function and operational reliability only if the original accessories and spare parts intended for the appliance are used.



DANGER Electrocution

If you mount the appliance on the wall, do so in such a way that control equipment cannot be touched by a person in the bath or shower.



CAUTION

- Only fit the wall mounted appliance to a vertical wall that is temperature-resistant to at least 185 °F / 85 °C.
- Observe the minimum clearances to adjacent object surfaces (for minimum clearances see specification chapter).
- Never install the appliance directly below a wall socket.
- Ensure that the power cable is not in contact with any appliance components.

8.2 Instructions, standards and regulations



Observe all applicable national and regional regulations and instructions.



Observe the Building and Garage Regulations [or local regulations].

9. Appliance description

9.1 Standard delivery

Wall mounting bracket (hooked into the appliance)

10. Installation

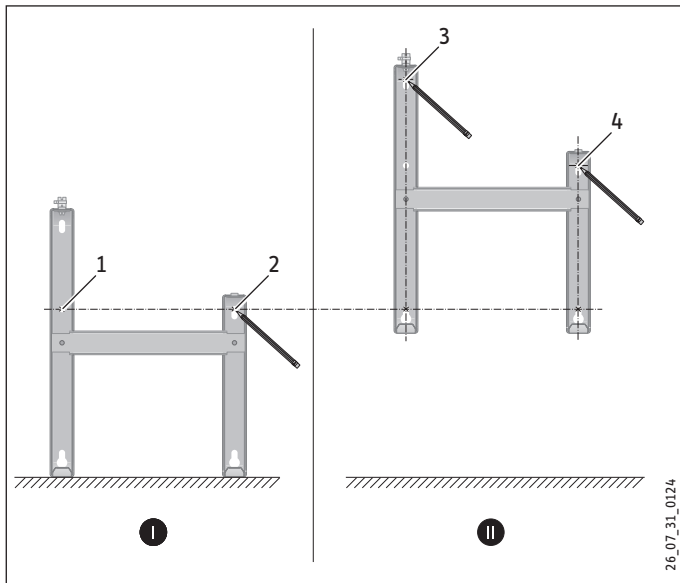
10.1 Installing the wall mounting bracket

You can also use the wall mounting bracket as a template for wall mounting; this ensures the required floor clearance.

- » Unhook the wall mounting bracket.
- » Place the centred wall mounting bracket level on the ground and mark holes 1 and 2.
- » Lift up the wall mounting bracket so that its lower holes match up with the markings you have just made on the installation wall.
- » Mark holes 3 and 4 on the installation wall.

INSTALLATION

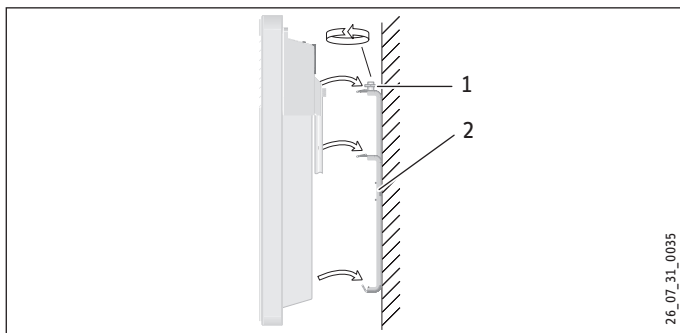
TROUBLESHOOTING



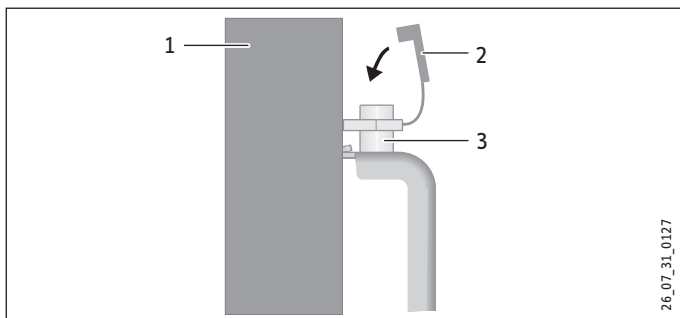
» Drill holes at all four markings. Secure the wall mounting bracket with suitable materials (screws, rawl plugs) depending on the type of wall. With the vertical slots, you can compensate for an offset fixing hole.

10.2 Appliance installation

- » Hook the appliance by its slots in the back of the appliance on to all four tabs of the wall mounting bracket simultaneously.
- » Push the appliance to latch it in position.
- » Turn the locking bolt in the wall mounting bracket fully clockwise; this locks the appliance in place.
- » Push the safety cap onto the locking bolt to prevent it from loosening.



- 1 Locking bolt
- 2 Wall mounting bracket

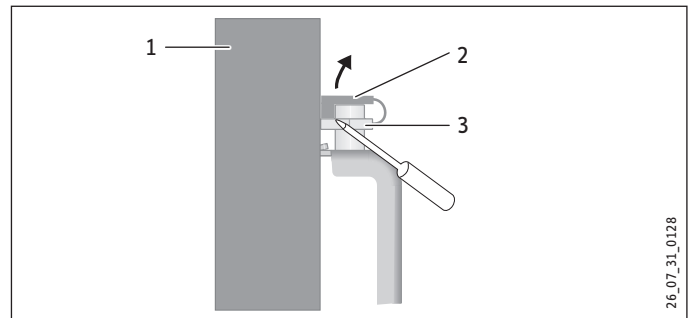


- 1 Appliance

- 2 Safety cap
- 3 Locking bolt

10.3 Dismounting the appliance

» Remove the safety cap from the locking bolt.



- 1 Appliance
- 2 Safety cap
- 3 Locking bolt

» Undo the locking bolt on the wall mounting bracket.

» Lift the appliance up slightly and pull it forwards and away from the wall mounting bracket.

10.4 Power supply

- » Ensure the on-site supply cable has an adequate cross-section.
- » Ensure a socket or junction box for a permanent power supply is installed at a distance of at least 4" / 10 cm from the side of the appliance.



DANGER Electrocutation!

Carry out all electrical connection and installation work in accordance with all national, state and local building code.



DANGER Electrocutation!

Each heater must be wired directly to the circuit breaker panel with the proper size breaker and wire gauge.



DANGER Electrocutation!

Do not plug the heater into a wall outlet.



The specified voltage on the nameplate must match the voltage at the circuit breaker panel.

11. Troubleshooting

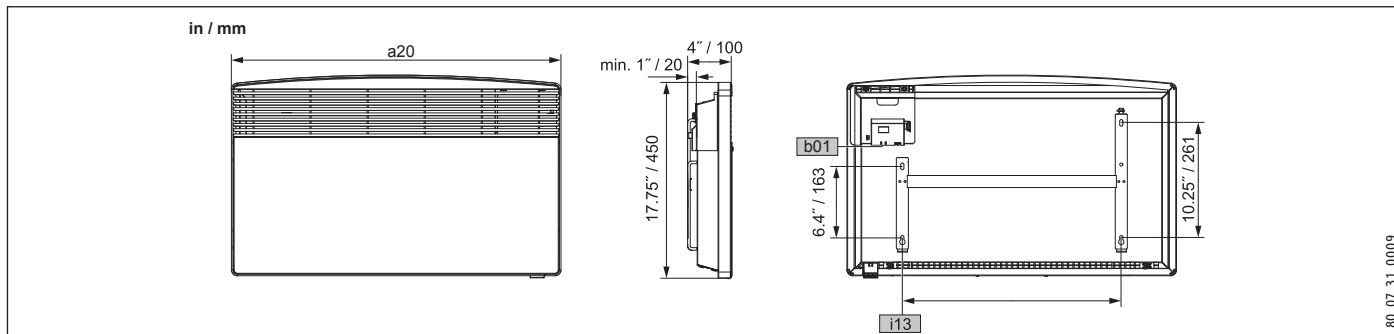
The power cable must only be replaced by a contractor using our original spare parts.

12. Appliance handover

Explain the functions of the appliance to the user. Draw special attention to the safety information. Hand the operating and installation instructions to the user.

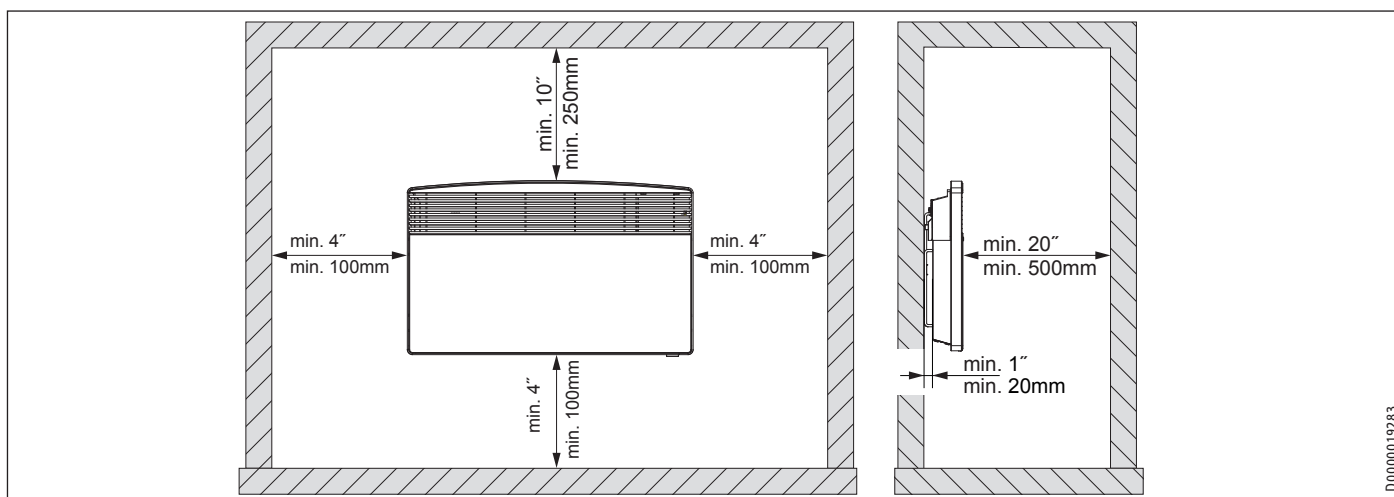
13. Specification

13.1 Dimensions of wall mounted version



80_07_31_0009

| | | | CNS 50-2 E | CNS 75-2 E | CNS 100-2 E | CNS 150-2 E | CNS 200-2 E | CNS 240-2 E | |
|-----|------------------------|--------------|------------|------------|-------------|-------------|-------------|-------------|------------|
| A20 | Appliance | Width | in / mm | 14.5 / 370 | 17.5 / 445 | 17.5 / 445 | 23.25 / 590 | 29.1 / 740 | 35.0 / 890 |
| B01 | Electrical cable entry | | | | | | | | |
| i13 | Wall mounting bracket | Hole spacing | in / mm | 4.75 / 121 | 7.7 / 195 | 7.7 / 195 | 13.5 / 343 | 19.3 / 491 | 25.2 / 639 |



D0000019283

13.2 Specification table

| Model | | CNS 50-2 E | | CNS 75-2 E | | CNS 100-2 E | | CNS 150-2 E | | CNS 200-2 E | | CNS 240-2 E | |
|--------------------------|---------|--------------|------|--------------|------|--------------|------|--------------|------|--------------|-----|--------------|-----|
| Item No. | | 231542 | | 232068 | | 231543 | | 231544 | | 231545 | | 231546 | |
| Voltage | V | 240 | 208 | 240 | 208 | 240 | 208 | 240 | 208 | 240 | 208 | 240 | 208 |
| Wattage | kW | 0.5 | 0.38 | 0.75 | 0.56 | 1.0 | 0.75 | 1.5 | 1.13 | 2.0 | 1.5 | 2.4 | 1.8 |
| Amperage | A | 2.1 | 1.8 | 3.1 | 2.7 | 4.2 | 3.6 | 6.3 | 5.4 | 8.3 | 7.2 | 10.0 | 8.7 |
| Temperature range | °F / °C | 43-86 / 6-30 | | 43-86 / 6-30 | | 43-86 / 6-30 | | 43-86 / 6-30 | | 43-86 / 6-30 | | 43-86 / 6-30 | |
| Frost protection setting | °F / °C | 47 / 7 | | 47 / 7 | | 47 / 7 | | 47 / 7 | | 47 / 7 | | 47 / 7 | |
| Height | in / mm | 18.5 / 450 | | 18.5 / 450 | | 18.5 / 450 | | 18.5 / 450 | | 18.5 / 450 | | 18.5 / 450 | |
| Width | in / mm | 14.5 / 370 | | 17.5 / 445 | | 17.5 / 445 | | 23.25 / 590 | | 29.1 / 740 | | 35.0 / 890 | |
| Depth | in / mm | 4.0 / 100 | | 4.0 / 100 | | 4.0 / 100 | | 4.0 / 100 | | 4.0 / 100 | | 4.0 / 100 | |
| Weight | lb / kg | 8.4 / 3.8 | | 9.7 / 4.4 | | 9.7 / 4.4 | | 12.6 / 5.7 | | 15.0 / 6.8 | | 17.9 / 8.1 | |
| IP-Rating | | IP24 | | IP24 | | IP24 | | IP24 | | IP24 | | IP24 | |
| Protection class | | I | | I | | I | | I | | I | | I | |
| Color | | alpine white | | alpine white | | alpine white | | alpine white | | alpine white | | alpine white | |

WARRANTY

RESIDENTIAL & COMMERCIAL WARRANTY: STIEBEL ELTRON WARRANTS TO THE ORIGINAL OWNER THAT THE CNS CONVECTION HEATER WILL BE FREE FROM DEFECTS IN WORKMANSHIP AND MATERIALS FOR A PERIOD OF THREE (3) YEARS FROM THE DATE OF PURCHASE. SHOULD THE PART(S) PROVE TO BE DEFECTIVE UNDER NORMAL USE DURING THIS PERIOD, STIEBEL ELTRON, INC. WILL BE RESPONSIBLE FOR REPLACEMENT OF THE DEFECTIVE PART(S) ONLY. STIEBEL ELTRON, INC. IS NOT RESPONSIBLE FOR LABOR CHARGES TO REMOVE AND/OR REPLACE THE DEFECTIVE PART(S), OR ANY INCIDENTAL OR CONSEQUENTIAL EXPENSES.

SHOULD THE OWNER WISH TO RETURN THE CONVECTION HEATER FOR REPAIR, THE OWNER MUST FIRST SECURE WRITTEN AUTHORIZATION FROM STIEBEL ELTRON, INC. THE OWNER SHALL BE REQUIRED TO SHOW PROOF OF PURCHASE DATE, AND TO PAY ALL TRANSPORTATION COSTS TO RETURN THE DEFECTIVE PART(S) OR TANKLESS ELECTRIC WATER HEATER FOR REPAIR OR REPLACEMENT. WARRANTY IS VOID IF HEATER HAS BEEN INSTALLED OR USED IMPROPERLY OR IF DESIGN HAS BEEN ALTERED IN ANY WAY.

**STIEBEL ELTRON, INC.
17 West Street
West Hatfield, MA 01088, USA
PHONE: 800.582.8423 or 413.247.3380
FAX: 413.247.3369
Email info@stiebel-eltron-usa.com
www.stiebel-eltron-usa.com**



The installation, electrical connection and first operation of this appliance should be carried out by a qualified installer.



The company does not accept liability for failure of any goods supplied which have not been installed and operated in accordance with the manufacturer's instructions.

Environment and recycling

Please help us to protect the environment by disposing of the packaging in accordance with the national regulations for waste processing.

OPERACIÓN

| | |
|---|-----------|
| 1. Instrucciones importantes | 9 |
| 1.1 Información sobre el documento | 9 |
| 1.2 Explicación de símbolos | 9 |
| 2. Seguridad | 10 |
| 2.1 Uso previsto | 10 |
| 2.2 Información de seguridad | 10 |
| 2.3 Sellos de verificación | 11 |
| 3. Registre su producto | 11 |
| 4. Descripción del artefacto | 11 |
| 5. Operación | 11 |
| 5.1 Descripción de la interface de usuario | 11 |
| 5.2 Protección anticongelante | 11 |
| 5.3 Limitación del controlador de temperatura | 11 |
| 5.4 Apagado | 12 |
| 6. Limpieza, cuidado y mantenimiento | 12 |
| 7. Qué hacer si ... | 12 |

INSTALACIÓN

| | |
|--|-----------|
| 8. Seguridad | 12 |
| 8.1 Instrucciones generales de seguridad | 12 |
| 8.2 Instrucciones, estándares y normativa | 12 |
| 9. Descripción del artefacto | 13 |
| 9.1 Entrega estándar | 13 |
| 10. Instalación | 13 |
| 10.1 Instalación del soporte para montaje en pared | 13 |
| 10.2 Instalación del artefacto | 13 |
| 10.3 Desmontaje del artefacto | 13 |
| 10.4 Suministro de energía | 13 |
| 11. Resolución de problemas | 14 |
| 12. Traspaso del artefacto | 14 |
| 13. Especificaciones | 14 |
| 13.1 Dimensiones de la versión de pared | 14 |
| 13.2 Tabla de especificaciones | 15 |

MEDIOAMBIENTE Y RECICLAJE

SERVICIO AL CLIENTE Y GARANTÍA

1. INSTRUCCIONES IMPORTANTES

GUARDE ESTAS INSTRUCCIONES

Siempre que se utilizan artefactos eléctricos, se deben tomar precauciones básicas para reducir los riesgos de incendio, shock eléctrico y lesiones personales, incluyendo las siguientes:

1. Lea todas las instrucciones antes de instalar o utilizar el calefactor.
2. El calefactor se calienta cuando está funcionando. Para prevenir quemaduras, evite que la piel desnuda entre en contacto con las superficies calientes. Mantenga materiales combustibles, tales como muebles, almohadas, ropa de cama, papeles, ropa, etc. y cortinas a una distancia de al menos 1 m (3 ft) del frente del calefactor, y a una distancia de al menos 1 m (3 ft) de los laterales y la parte posterior del artefacto.
3. Se deben tomar precauciones extremas cuando cualquier calefactor es utilizado por o cerca de niños o personas discapacitadas y cuando el calefactor se deja funcionando y sin vigilancia.
4. No utilice ningún calefactor que haya tenido un funcionamiento defectuoso. Desconecte la energía del panel de servicio y haga que un electricista confiable lo revise antes de reutilizarlo.

1.1 Información del documento

El capítulo Operación está destinado a usuarios y técnicos en calefacción.

El capítulo Instalación está destinado a técnicos en calefacción.



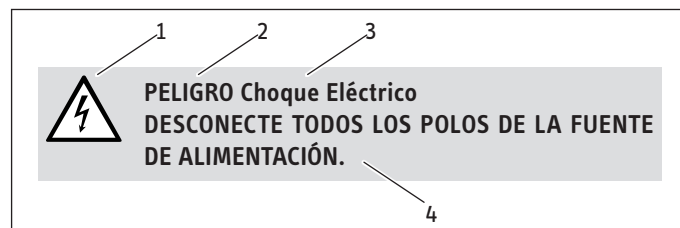
Lea las instrucciones cuidadosamente antes de utilizar el artefacto y guárdelas para consultas futuras. Pásele las instrucciones a cualquier nuevo usuario.

1.2 Explicación de símbolos

1.2.1 Presentación de la información de seguridad

La información de seguridad comprende un símbolo de advertencia, una palabra clave y un texto informativo. La información de seguridad está impresa sobre un fondo gris.

Ejemplo:



- 1 Símbolo (ver capítulo sobre símbolos de advertencia/símbolos)
- 2 Palabra clave (ver capítulo sobre palabras clave)
- 3 Descripción (ver capítulo sobre símbolos de advertencia/símbolos)
- 4 Texto informativo

1.2.2 Palabras clave

| PALABRA CLAVE | Descripción |
|---------------|---|
| PELIGRO | La palabra clave PELIGRO indica información que debe respetarse, ya que de lo contrario pueden producirse lesiones serias o incluso la muerte. |
| ADVERTENCIA | La palabra clave ADVERTENCIA indica información que debe respetarse, ya que de lo contrario pueden producirse lesiones serias o incluso la muerte. |
| PRECAUCIÓN | La palabra clave PRECAUCIÓN indica información que debe respetarse, ya que de lo contrario pueden producirse lesiones relativamente serias o leves. |

1.2.3 Símbolos de advertencia/símbolos

| Símbolo de advertencia | Descripción |
|--|---------------------------|
|  | Lesiones |
|  | Electrocuación |
|  | Quemaduras o escaldaduras |
|  | Otras situaciones |
|  | Incendio |
|  | Nunca cubra el artefacto |
|  | Desecho del artefacto |

1.2.4 Símbolos de texto y su presentación en esta documentación

 Lea el texto que está junto a este símbolo cuidadosamente.


» El símbolo “»” indica que usted debe realizar alguna acción. La acción que debe realizar se describe paso a paso.

– Los pasajes que contienen el símbolo “–” le presentan listas de ítems.

1.2.5 Información sobre el artefacto

 Nunca cubra el artefacto

1.2.6 Unidades de medida

 Las dimensiones se indican en este documento en in. / mm. Cualquier unidad de medida alternativa se especifica según el caso.

2. Seguridad

2.1 Uso previsto

Este artefacto está diseñado para calefaccionar espacios en viviendas.

Cualquier otro uso diferente del descrito será considerado inapropiado. El cumplimiento de estas instrucciones es también parte del uso correcto de este artefacto. Cualquier modificación o transformación del artefacto invalida todos los derechos de garantía.

2.2 Información de seguridad

Utilice el artefacto solamente una vez que se encuentra completamente instalado y con todos los dispositivos de seguridad colocados.



ADVERTENCIA Incendio

Nunca opere el artefacto ...

- en habitaciones donde el artefacto esté en riesgo de incendio o explosión como resultados de productos químicos, polvos, gases o vapores.
- en proximidad inmediata de cañerías o recipientes que transportan o contienen materiales inflamables o explosivos.
- si en la habitación donde está instalado se están realizando trabajos tales como tendido de cables, molienda o sellado.
- si se utilizan aerosoles, lustra pisos o productos similares que contienen napsan. Ventile bien la habitación antes de calefaccionar.
- si no se mantienen las holguras mínimas respecto de las superficies de objetos adyacentes, como ser muebles, cortinas de red, cortinas, textiles u otros materiales inflamables (por holguras mínimas, consulte pág 8 sección 12).
- si un componente del artefacto está dañado, el artefacto se ha caído o ya tenía una falla.



ADVERTENCIA Lesiones

Si se permite que niños o personas con capacidades físicas, sensoriales o mentales limitadas controlen este artefacto, asegúrese que ello solamente ocurra bajo vigilancia o después que la persona responsable de su seguridad haya impartido las instrucciones debidas. Se debe vigilar a los niños para asegurar que nunca jueguen con el artefacto.



ADVERTENCIA Incendio

Nunca coloque objetos o materiales inflamables, combustibles o aislantes, tales como ropa, ropa de cama, revistas, recipientes con lustra pisos o napsan, latas de aerosol o similares sobre el artefacto o en proximidad inmediata al mismo.

OPERACIÓN

REGISTRE SU PRODUCTO



ADVERTENCIA Quemaduras
Las superficies de la carcasa del artefacto y el aire expulsado se calientan durante el funcionamiento (más de 80 °C / 176 °F).



PRECAUCIÓN Sobrecalentamiento
Nunca cubra el artefacto.



Nunca pise el artefacto.

Certificación ETL / UL

La certificación ETL / UL indica que el artefacto cumple con todos los requisitos esenciales según el estándar UL 499.

2.3 Etiqueta de características

Ver placa de características.

La placa de características está ubicada en la parte derecha del exterior del artefacto.

3. Registre su producto



Debe registrar este producto en nuestro sitio web dentro de 90 días de la compra para activar la garantía estándar o para ser elegible para la garantía extendida. Vaya a nuestro sitio web a: www.stiebel-eltron-usa.com y haga clic en "register your product".

Antes de comenzar el proceso de registración, le sugerimos que reuna la información necesaria, tal y como sigue:

Tipo, Ejemplo: CNS 100-2 E (de la etiqueta blanca que se encuentra en la derecha de la unidad)

Número que aparece después de "Nr."

Lugar de compra

Fecha de compra

Nombre y apellido

Dirección de correo electrónico

Dirección física

Número de teléfono

SI TIENE ALGUNA PREGUNTA SOBRE EL PROCESO DE REGISTRACIÓN O LAS OPCIONES DE GARANTÍA, POR FAVOR CONTACTAR A STIEBEL ELTRON EE.UU. AL (800)-582-8423.

4. Descripción del artefacto

El artefacto es un calefactor eléctrico directo para ser instalado únicamente en una pared.

El artefacto es adecuado como sistema de calefacción general para baños, por ejemplo, o para ser usado entre estaciones, o como calefactor complementario en habitaciones pequeñas, como una sala de juegos o una habitación de huéspedes.

El aire es calentado dentro del artefacto por un elemento calefactor y luego es expulsado por convección natural a través de una rejilla de salida en la parte superior. El aire fresco de la habitación ingresa a través de las aberturas de la parte inferior del artefacto.

Después de instalar el artefacto en la pared y realizar la conexión eléctrica utilizando un suministro permanente de energía mediante

un enchufe adecuado para artefactos, el mismo se encuentra listo para operar.

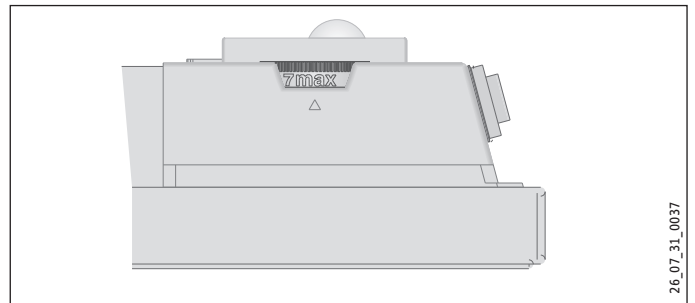
4.1 Serie CNS-E

Después de instalar el artefacto en la pared y realizar la conexión eléctrica utilizando un disyuntor principal, el artefacto está listo para operar.

5. Operación

5.1 Descripción de la interface de usuario

- » Encienda el artefacto colocando en ON la llave que se encuentra en el lado derecho del mismo.
- » Seleccione la temperatura deseada utilizando el selector de temperatura de variación continua (para consultar las temperaturas vea el capítulo de especificaciones).



Tan pronto como se alcanza la temperatura elegida en la habitación, la misma se mantiene en forma constante mediante calentamientos periódicos (la salida del artefacto debe corresponder al menos con la demanda de calor de la habitación).

Si se instalan varios artefactos en un mismo ambiente, la temperatura seleccionada en cada artefacto puede ser diferente.

Para evitar el consumo excesivo de energía cuando las ventanas se encuentren abiertas, se debería apagar el artefacto para ventilar.

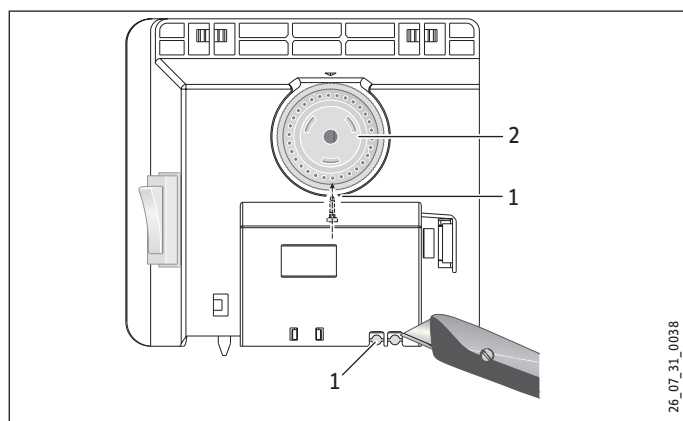
5.2 Protección anticongelante

- » Gire el selector de temperatura lo más hacia la derecha posible. En esta posición, el controlador de temperatura enciende el elemento calefactor en forma automática si la temperatura en la habitación cae por debajo de la temperatura de protección anticongelante (47 °F / 7 °C).

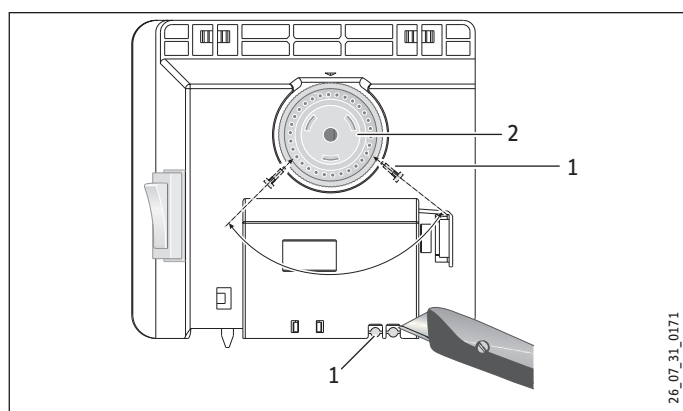
5.3 Limitación del controlador de temperatura

Se puede fijar el controlador de temperatura en una posición determinada o limitar el rango de variación de temperaturas utilizando dos pines ubicados en la parte posterior de la carcasa.

- » Retire los pines.
- » Para fijar la temperatura elegida, coloque un pin en el orificio opuesto (ver diagrama).



- 1 Pin
2 Selector de temperatura
- » Para limitar el rango de variación de temperatura, elija los valores máximo y mínimo con el selector de temperatura e inserte un pin para cada uno en los orificios que se encuentran ligeramente desplazados en el lado opuesto (ver diagrama).



- 1 Pin
2 Selector de temperatura

5.4 Apagado

» Coloque la llave que se encuentra en el lado derecho del artefacto en la posición OFF.

6. Limpieza, cuidado y mantenimiento



ADVERTENCIA

Antes de comenzar a limpiar, asegúrese que se ha desconectado la energía en el panel del circuito disyuntor y que el elemento calentador del calefactor este frío. No hacerlo puede resultar en quemaduras severas, electrocución, lesiones corporales severas o muerte.

Si aparece una decoloración clara con tintes marrones en la carcasa del artefacto, límpiela tan pronto como sea posible con un paño húmedo. Limpie el artefacto una vez que está frío con productos de limpieza habituales. Evite utilizar productos de limpieza abrasivos o corrosivos.



PRECAUCIÓN Incendio

Nunca rocíe aerosol de limpieza en la ranura del aire. Asegúrese que no pueda entrar humedad al artefacto.

Como parte del mantenimiento habitual, recomendamos que también se revisen los componentes de control. Los componentes de seguridad y control deben ser revisados por un contratista no más allá de diez años después de la puesta en funcionamiento.

7. Qué hacer si ...

... el artefacto no calienta:

Check the temperature set at the appliance and the circuit breaker box.

Verifique la temperatura a la que se reguló el artefacto y la caja del disyuntor del circuito.

El artefacto tiene un control de seguridad de temperatura que lo apaga si se sobrecalienta. Después que se eliminó la causa (por ejemplo se encontraban cubiertas las aberturas de entrada o salida de aire) y el artefacto se enfrió durante unos minutos, se reanuda la operación.

Si no puede solucionar la falla, contacte a su contratista. Para facilitar y agilizar su consulta, por favor suminístrele el número que se encuentra en la placa de características (Núm XXXXXX - XXXX - XXXXXX).

8. Seguridad

La instalación, puesta en marcha, mantenimiento y reparación del artefacto debe ser realizada solamente por contratistas calificados.

8.1 Instrucciones de seguridad general

Garantizamos el funcionamiento sin problemas y la seguridad operativa solamente si se utilizan los accesorios originales y los repuestos previstos para el artefacto.



PELIGRO Electrocutión

Si instala el artefacto en la pared, hágalo de modo tal que los dispositivos de control no puedan ser tocados por una persona que esté en la bañera o en la ducha.



PRECAUCIÓN

- Solamente amure el artefacto a una pared vertical que resista temperaturas de al menos 85 °C / 185 °F.
- Respete las holguras mínimas respecto de las superficies de objetos adyacentes (por holguras mínimas ver el capítulo de especificaciones).
- Nunca instale el artefacto justo debajo de un tomacorriente.
- Asegúrese que el cable de alimentación no esté en contacto con componente alguno del artefacto.

8.2 Instrucciones, estándares y normativa



Respete todas las normas e instrucciones nacionales y regionales aplicables.



Respete la Normativa de Construcción de Edificios y Garajes (o normativa local que corresponda).

9. Descripción del artefacto

9.1 Entrega estándar

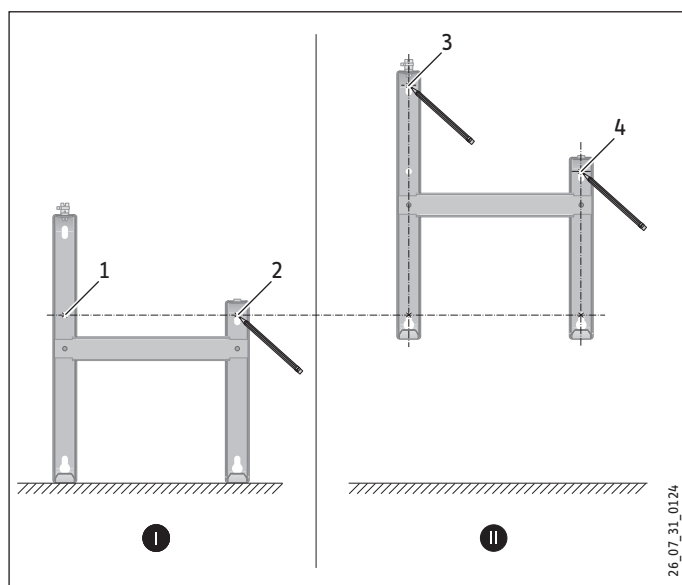
Soporte para montaje en pared (enganchado en el artefacto)

10. Instalación

10.1 Instalación del soporte para montaje en pared

El soporte puede usarse también como una plantilla para montar el artefacto en la pared; esto asegura la distancia requerida al piso.

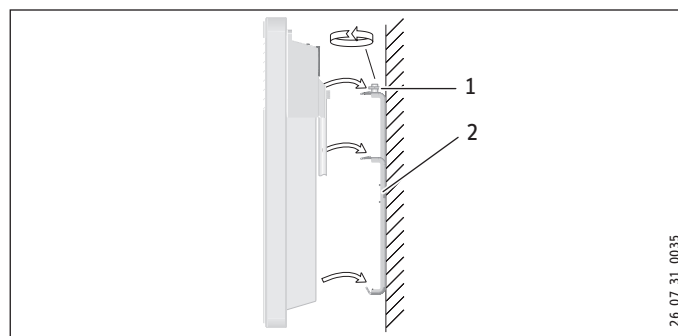
- » Desenganche el soporte para montaje en pared.
- » Apoye el nivel del soporte para montaje en pared centrado sobre el piso y marque los orificios 1 y 2.
- » Levante el soporte de modo tal que los orificios inferiores se superpongan a las marcas que acaba de hacer en la pared donde se va a realizar la instalación.
- » Marque los orificios 3 y 4 en la pared de instalación.



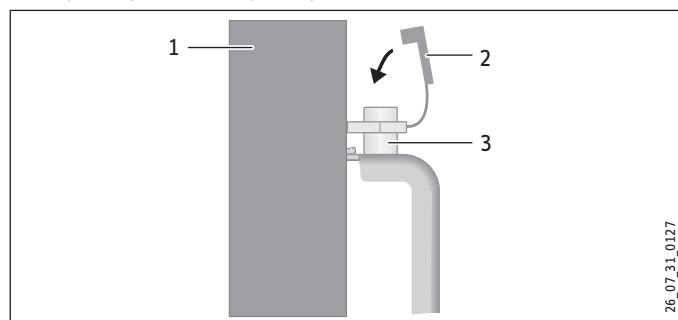
- » Perfore la pared en los cuatro puntos marcados utilizando un taladro. Asegure el soporte con implementos adecuados (tornillos, tacos) dependiendo del tipo de pared. Las ranuras verticales le permiten compensar desplazamientos en los orificios de sujeción.

10.2 Instalación del artefacto

- » Enganche el artefacto por medio de las ranuras ubicadas en la parte trasera a las cuatro lengüetas del soporte en forma simultánea.
- » Empuje el artefacto para trabarlo en posición.
- » Gire completamente el perno de bloqueo del soporte en la dirección de las agujas del reloj; esto traba el artefacto en su lugar.
- » Presione la tapa de seguridad sobre el perno de bloqueo para impedir que se afloje.



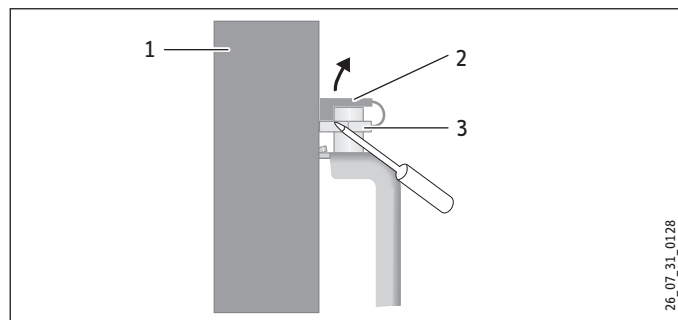
- 1 Perno de bloqueo
- 2 Soporte para montaje en pared



- 1 Artefacto
- 2 Tapa de seguridad
- 3 Perno de bloqueo

10.3 Desmontaje del artefacto

- » Retire la tapa de seguridad del perno de bloqueo.



- 1 Artefacto
- 2 Tapa de seguridad
- 3 Perno de bloqueo

- » Destrahe el perno de bloqueo del soporte para montaje en pared.

- » Levante el artefacto ligeramente y tírelo hacia adelante, alejándolo del soporte.

10.4 Suministro de energía

- » Asegúrese que el cable de alimentación de la instalación tenga una sección transversal adecuada.
- » Asegúrese que haya un tomacorriente o caja de conexión para el suministro permanente de energía instalado a una distancia de al menos 10 cm/ 4 in del costado del artefacto.

INSTALACIÓN

RESOLUCIÓN DE PROBLEMAS



PELIGRO Electrocutión

Llevar a cabo todas las conexiones eléctricas e instalación de acuerdo con todos los códigos de construcción nacionales, estatales y locales.



PELIGRO Electrocutión

Cada calentador debe ser conectado directamente al panel de interruptores de circuito usando el interruptor y calibre del cable adecuados.



PELIGRO Electrocutión

No enchufe el calentador en un enchufe de la pared.



El voltaje especificado en la placa de identificación debe coincidir con el voltaje en el panel de interruptores.

11. Resolución de problemas

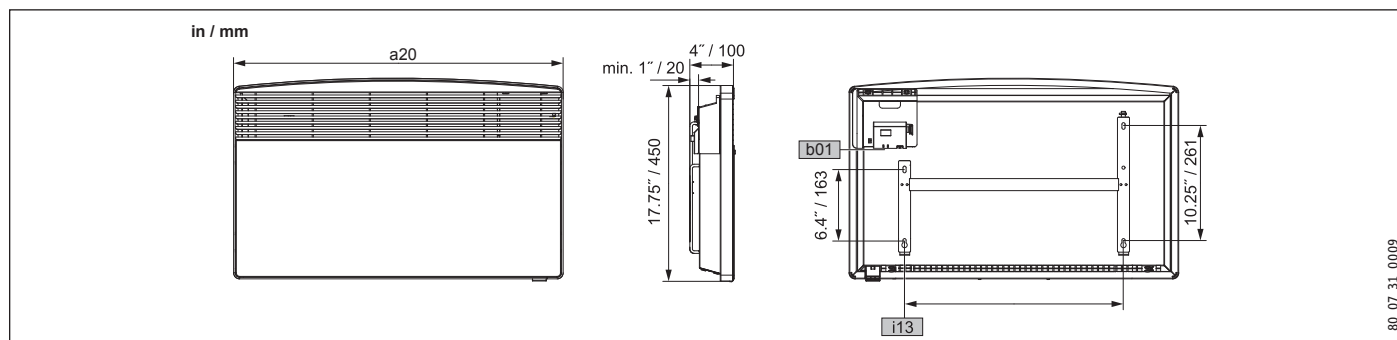
El cable de alimentación debe ser reemplazado solamente por un contratista utilizando nuestros repuestos originales.

12. Traspaso del artefacto

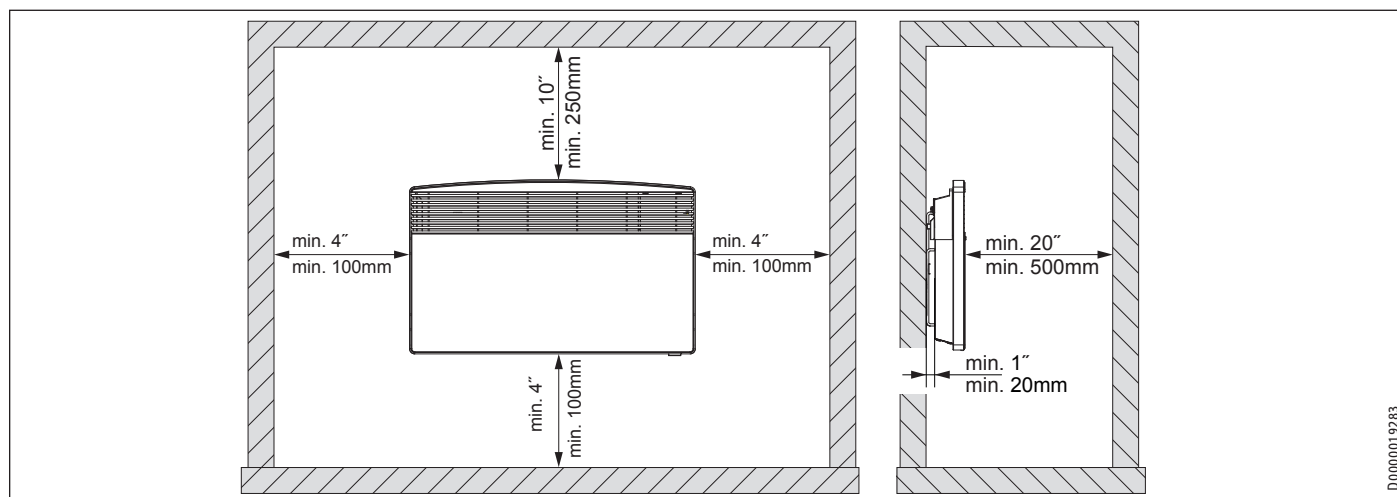
Explique las funciones del artefacto al usuario. Haga especial hincapié en la información de seguridad. Entregue las instrucciones de operación e instalación al usuario.

13. Especificaciones

13.1 Dimensiones de la versión de pared



| | | | CNS 50-2 E | CNS 75-2 E | CNS 100-2 E | CNS 150-2 E | CNS 200-2 E | CNS 240-2 E | |
|-----|----------------------------------|---------------------------|---------------|---------------|----------------|----------------|----------------|----------------|------------|
| A20 | Artefacto | Ancho | in / mm | 14.5 / 370 | 17.5 / 445 | 17.5 / 445 | 23.25 / 590 | 29.1 / 740 | 35.0 / 890 |
| B01 | Entrada del cable de corriente | | | | | | | | |
| i13 | Soporte para el montaje en pared | Distancia entre orificios | in / mm | 4.75 / 121 | 7.7 / 195 | 7.7 / 195 | 13.5 / 343 | 19.3 / 491 | 25.2 / 639 |



13.2 Tabla de especificaciones

| Modelo | | CNS 50-2 E | | CNS 75-2 E | | CNS 100-2 E | | CNS 150-2 E | | CNS 200-2 E | | CNS 240-2 E | |
|-------------------------------------|---------|--------------|------|--------------|------|--------------|------|--------------|------|--------------|-----|--------------|-----|
| # Catálogo | | 231542 | | 232068 | | 231543 | | 231544 | | 231545 | | 231546 | |
| Voltage | V | 240 | 208 | 240 | 208 | 240 | 208 | 240 | 208 | 240 | 208 | 240 | 208 |
| Potencia | kW | 0.5 | 0.38 | 0.75 | 0.56 | 1.0 | 0.75 | 1.5 | 1.13 | 2.0 | 1.5 | 2.4 | 1.8 |
| Amperaje | A | 2.1 | 1.8 | 3.1 | 2.7 | 4.2 | 3.6 | 6.3 | 5.4 | 8.3 | 7.2 | 10.0 | 8.7 |
| Rango de temperatura | °F / °C | 43-86 / 6-30 | | 43-86 / 6-30 | | 43-86 / 6-30 | | 43-86 / 6-30 | | 43-86 / 6-30 | | 43-86 / 6-30 | |
| Ajuste de protección anticongelante | °F / °C | 47 / 7 | | 47 / 7 | | 47 / 7 | | 47 / 7 | | 47 / 7 | | 47 / 7 | |
| Altura | in / mm | 18.5 / 450 | | 18.5 / 450 | | 18.5 / 450 | | 18.5 / 450 | | 18.5 / 450 | | 18.5 / 450 | |
| Ancho | in / mm | 14.5 / 370 | | 17.5 / 445 | | 17.5 / 445 | | 23.25 / 590 | | 29.1 / 740 | | 35.0 / 890 | |
| Profundidad | in / mm | 4.0 / 100 | | 4.0 / 100 | | 4.0 / 100 | | 4.0 / 100 | | 4.0 / 100 | | 4.0 / 100 | |
| Peso | lb / kg | 8.4 / 3.8 | | 9.7 / 4.4 | | 9.7 / 4.4 | | 12.6 / 5.7 | | 15.0 / 6.8 | | 17.9 / 8.1 | |
| Calificación IP | | IP24 | | IP24 | | IP24 | | IP24 | | IP24 | | IP24 | |
| Clase de protección | | I | | I | | I | | I | | I | | I | |
| Color | | blanco alpin | | blanco alpin | | blanco alpin | | blanco alpin | | blanco alpin | | blanco alpin | |

GARANTÍA

GARANTÍA RESIDENCIAL Y COMERCIAL: STIEBEL ELTRON GARANTIZA AL PROPIETARIO ORIGINAL QUE EL CONVECTOR DE PARED SERIE CNS E ESTÉ LIBRE DE DEFECTOS DE MANO DE OBRA Y MATERIALES POR UN PERIODO DE TRES (3) AÑOS A PARTIR DE LA FECHA DE COMPRA. SI LA(S) PARTE(S) RESULTA DEFECTUOSA BAJO USO NORMAL DURANTE ESTE PERIODO, STIEBEL ELTRON, INC SE HACE RESPONSABLE DEL REEMPLAZO DE LA(S) PARTE(S) DEFECTIVA(S) SOLAMENTE. STIEBEL ELTRON, INC. NO SE HACE RESPONSABLE DE COSTOS LABORALES PARA REMOVER Y / O REEMPLAZAR LA(S) PIEZA(S) DEFECTUOSA(S), O CUALQUIER OTRO GASTO ACCIDENTAL O CONSECUENTE.

SI EL DUEÑO QUIERE DEVOLVER EL CONVECTOR PARA LA REPARACIÓN, EL DUEÑO DEBE OBTENER UNA AUTORIZACIÓN POR ESCRITO DE STIEBEL ELTRON, INC Y ESTAR PREPARADO PARA COMPROBAR LA FECHA DE COMPRA Y PARA PAGAR TODOS LOS GASTOS DE TRANSPORTE PARA DEVOLVER LA(S) PIEZA(S) DEFECTUOSA(S) O EL CONVECTOR PARA LA REPARACIÓN O SUSTITUCIÓN. LA GARANTÍA ES NULA SI EL SECADOR DE MANOS HA SIDO INSTALADO O USADO MAL O SI EL DISEÑO HA SIDO ALTERADO DE ALGUNA MANERA.

STIEBEL ELTRON, INC.
17 West Street
West Hatfield, MA 01088, USA
PHONE: 800.582.8423 or 413.247.3380
FAX: 413.247.3369
Email info@stiebel-eltron-usa.com
www.stiebel-eltron-usa.com



La instalación, conexión eléctrica y primera operación de este artefacto debe ser realizada por un instalador calificado.



La compañía no acepta responsabilidad alguna por la falla de cualquier artículo suministrado que no haya sido instalado y operado de acuerdo con las instrucciones del fabricante.

Medioambiente y reciclaje

Por favor ayúdenos a proteger el medioambiente eliminando el embalaje en concordancia con la normativa nacional para el tratamiento de residuos.

MODE D'EMPLOI

| | |
|--|-----------|
| 1. Directives importantes | 16 |
| 1.1 Généralités à propos de ce document | 16 |
| 1.2 Légende des symboles | 16 |
| 2. Sécurité | 17 |
| 2.1 Usage prévu | 17 |
| 2.2 Renseignements relatifs à la sécurité | 17 |
| 2.3 Symboles des normes | 18 |
| 3. Inscrivez votre produit | 18 |
| 4. Description de l'appareil | 18 |
| 5. Mode d'emploi | 18 |
| 5.1 Description de l'interface utilisateur | 18 |
| 5.2 Protection contre le gel | 18 |
| 5.3 Restrictions pour le contrôle des températures | 19 |
| 5.4 Désactivation | 19 |
| 6. Nettoyage, soin et entretien | 19 |
| 7. Que faire si... | 19 |

INSTALLATION

| | |
|---|-----------|
| 8. Sécurité | 19 |
| 8.1 Généralités relatives à la sécurité | 19 |
| 8.2 Directives, normes et règlements | 20 |
| 9. Description de l'appareil | 20 |
| 9.1 Livraison normale | 20 |
| 10. Installation | 20 |
| 10.1 Installation du support mural | 20 |
| 10.2 Installation de l'appareil | 20 |
| 10.3 Installation de l'appareil | 20 |
| 10.4 Configuration électrique | 21 |
| 11. Dépannage | 21 |
| 12. Transfert de l'appareil | 21 |
| 13. Spécification | 21 |
| 13.1 Dimensions de la version murale | 21 |
| 13.2 Tableau des spécifications | 22 |

ENVIRONNEMENT ET RECYCLAGE

SERVICE CLIENTÈLE ET GARANTIE

1. DIRECTIVES IMPORTANTES

GARDER CES DIRECTIVES POUR RÉFÉRENCE ULTÉRIEURE.

Pour réduire le risque d'incendie, de choc électrique ou de blessures, respectez les directives suivantes lorsque vous utilisez des appareils électriques :

1. Lire toutes les instructions avant d'installer ou d'utiliser cet appareil de chauffage.

2. Cet appareil est chaud lorsqu'il est en marche. Pour éviter de vous brûler, ne touchez pas les surfaces chaudes avec la peau nue. Gardez les matériaux combustibles, comme les meubles, les coussins, la literie, le papier, les vêtements, etc. et les rideaux à au moins 1 m (3 pi) de distance du devant de l'appareil de chauffage et au moins à 1 m (3 pi) de distance latéralement et à l'arrière.

3. Prenez de grandes précaution lorsque tout appareil de chauffage doit être utilisé en présence ou par des enfants ou des personnes invalides, ainsi que chaque fois qu'il est laissé en marche sans surveillance.

4. Ne faites pas fonctionner tout appareil de chauffage qui aurait mal fonctionné préalablement. Débranchez le cordon électrique à la prise et faites examiner l'appareil par un électricien de bonne réputation avant de le réutiliser.

1.1 Généralités à propos de ce document

Le chapitre Mode d'emploi est à l'attention des utilisateurs et des entrepreneurs en systèmes de chauffage.

Le chapitre Installation est à l'attention des entrepreneurs en systèmes de chauffage.



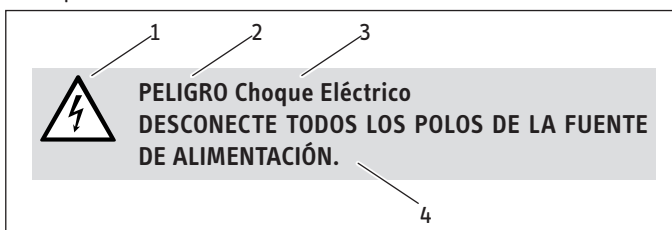
Lisez attentivement ces directives avant d'utiliser l'appareil puis mettez-les de côté pour référence ultérieure. Transférez ce document à toute personne qui utilisera l'appareil.

1.2 Légende des symboles

1.2.1 Présentation des renseignements relatifs à la sécurité

Les renseignements relatifs à la sécurité consistent en un symbole d'avertissement, un mot-clé et un paragraphe explicatif. Les renseignements relatifs à la sécurité sont imprimés sur fond gris.

Exemple :



- 1 Symbole (voir le chapitre sur les symboles d'avertissement/symboles)
- 2 Mot-clé (voir le chapitre sur les mots-clés)
- 3 Description (voir le chapitre sur les symboles d'avertissement/symboles)
- 4 Explications

1.2.2 Mots-clés

| MOT CLÉ | Description |
|---------------|--|
| DANGER | Le mot-clé DANGER signale qu'il faut respecter les informations données, faute de quoi on risque des blessures graves, voire mortelles. |
| AVERTISSEMENT | Le mot-clé AVERTISSEMENT signale qu'il faut respecter les informations données, faute de quoi on pourrait provoquer des blessures graves, voire mortelles. |
| ATTENTION | Le mot-clé ATTENTION signale qu'il faut respecter les informations données, faute de quoi on risque de provoquer des blessures légères, voire relativement graves. |

1.2.3 Symboles d'avertissement/symboles

| Symbole d'avertissement | Description |
|-------------------------|----------------------------------|
| | Blessure |
| | Électrocution |
| | Brûlures ou échaudures |
| | Autres situations |
| | Incendie |
| | Ne recouvrez jamais cet appareil |
| | Mise au rebut de l'appareil |

1.2.4 Symboles et présentation du texte dans ce document



Lisez attentivement le texte à côté de ce symbole.

» Ce symbole « » indique qu'il vous faut agir. Les mesures à prendre sont décrites de manière très détaillée.

– Les passages avec ce symbole « - » vous indiquent des listes.

1.2.5 Renseignements relatifs à l'appareil



Ne recouvrez jamais cet appareil

1.2.6 Unités de mesure



Les dimensions dans ce document sont données en po / mm. Toute autre unité de mesure sera spécifiée le cas échéant.

2. Sécurité

2.1 Usage prévu

Cet appareil est conçu pour chauffer des pièces habitées.

Tout autre usage au-delà de l'usage décrit sera jugé inapproprié. L'usage correct comprend également le respect de ces directives. Toute modification ou conversion de l'appareil annulera tous les droits dans le cadre de la garantie.

2.2 Renseignements relatifs à la sécurité

N'utilisez l'appareil que lorsqu'il est entièrement installé avec tout l'équipement de sécurité conforme.



AVERTISSEMENT Incendie

N'utilisez jamais cet appareil...

- dans des pièces où l'appareil pourrait s'enflammer ou exploser du fait du contact avec des produits chimiques, de la poussière, des gaz ou des vapeurs.
- à proximité directe de conduites ou de contenants transportant ou contenant des produits inflammables ou explosifs.
- si l'on exécute des travaux de pose de câbles, de fraisage ou de pose de mastic d'étanchéité dans la pièce d'installation.
- si l'on utilise des vaporisateurs, de l'encaustique ou des produits du même genre contenant du napsan. Aérez suffisamment la pièce avant de mettre l'appareil en marche.
- si les distances minimales par rapport aux surfaces des objets adjacents ne sont pas respectées, par exemple des meubles, des voilages, des rideaux, des tissus ou d'autres matériaux inflammables (pour les distances minimales, cf. page 8 section 12).
- si une pièce de l'appareil est endommagée, s'il est tombé ou s'il présente déjà un vice.



AVERTISSEMENT Blessure

Lorsque des enfants ou des personnes aux capacités physiques, sensorielles ou mentales limitées sont autorisés à utiliser cet appareil, veillez à ce qu'ils soient sous la surveillance d'une personne responsable de leur sécurité ou qu'on leur ait expliqué le fonctionnement de manière approprié. Veillez à surveiller les enfants pour vous assurer qu'ils ne jouent pas avec cet appareil.



AVERTISSEMENT Incendie

Ne mettez jamais d'objets ni de matériaux inflammables, combustibles ou d'isolation, comme des vêtements qui viennent d'être lavés, des couvertures, des magazines, des contenants d'encaustique ou de napsan, des canettes de vaporisateur, ou tout autre objet du même genre sur l'appareil ou à proximité directe de celui-ci.

**AVERTISSEMENT Brûlures**

Les surfaces du boîtier de l'appareil et l'air soufflé deviennent chauds pendant qu'il est en marche (plus de 80 °C / 176 °F).

**ATTENTION Surchauffage**

Ne recouvrez jamais cet appareil.



Ne marchez jamais sur l'appareil.

Désignation ETL / UL

La désignation ETL / UL indique que l'appareil satisfait à toutes les exigences essentielles conformément à la norme UL 499.

2.3 Étiquette signalétique

Cf. la plaque signalétique.

La plaque signalétique se situe à droite, à l'extérieur de l'appareil.

3. Inscrivez votre produit

Vous devez inscrire votre produit dans les trois mois qui suivent la date d'achat sur notre site internet pour activer la garantie normale ou pour pouvoir réclamer la garantie prolongée. Allez à notre site internet à l'adresse suivante : www.stiebel-eltron-usa.com et cliquez sur inscrivez votre produit.

Avant de lancer le processus d'inscription, nous vous conseillons d'avoir à portée de main la documentation nécessaire, à savoir :

Type, Exemple : CNS 100-2 E (sur l'étiquette noire qui se trouve sur la droite de l'appareil)

Numéro apparaissant après « Nr. » (N°)

Lieu d'achat

Date d'achat

Prénom et nom de famille

Adresse courriel

Adresse courriel

Numéro de téléphone

EN CAS DE QUESTIONS À PROPOS DU PROCESSUS D'INSCRIPTION OU DES OPTIONS POUR LA GARANTIE, VEUILLEZ CONTACTER STIEBEL ELTRON USA DIRECTEMENT EN COMPOSANT LE (800) 582-8423.

Garantie à responsabilité limitée :

Stiebel Eltron, Inc. ne peut être tenue responsable des dommages apportés à l'appareil, des dommages aux biens personnels, des blessures ou de cas de décès provoqués par les conditions suivantes :

– le non-respect de ces directives

– utilisation incorrecte

– installation de l'appareil par un personnel non agréé

– modifications non autorisées

– modifications techniques

– utilisation de pièces de rechange non approuvées

4. Description de l'appareil

L'appareil est un appareil de chauffage direct, électrique, pouvant uniquement être installé sur un mur.

L'appareil peut servir de chauffage unique pour les salles de bain, par exemple, ou comme chauffage d'appoint hors saison ou pour les pièces plus petites comme un atelier de bricolage ou des chambres d'amis.

L'air dans l'appareil est chauffé par un élément chauffant et soufflé par le biais de la convection naturelle par la grille de sortie d'air qui se trouve en haut. L'air ambiant entre par les ouvertures en bas de l'appareil.

Après avoir fixé l'appareil au mur et après avoir fait les branchements électriques à l'aide d'une prise permanente, l'appareil est prêt à l'emploi.

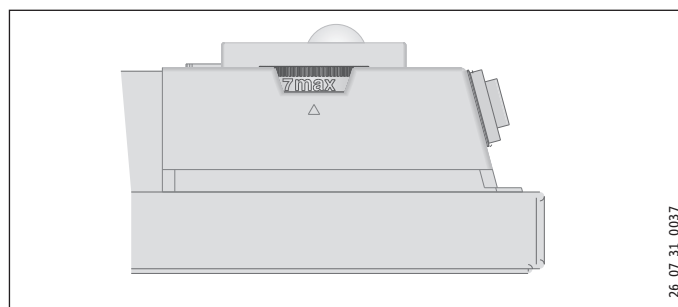
4.1 Série CNS-E

Après avoir fixé l'appareil au mur et après avoir fait les branchements électriques à l'aide d'un disjoncteur principal, l'appareil est prêt à l'emploi.

5. Mode d'emploi**5.1 Description de l'interface utilisateur**

» Mettez l'appareil en marche en appuyant sur l'interrupteur ON (marche) à droite de l'appareil.

» Programmez la température ambiante voulue par le biais du sélecteur de température réglable en continu (pour les températures, cf. le chapitre sur les spécifications).



Dès que la température ambiante est atteinte, elle est maintenue constante par le biais de chauffage intermittent (la température sortant de l'appareil doit correspondre au moins à la température désirée pour la pièce).

Si plusieurs appareils de chauffage sont installés dans une même pièce, le réglage du sélecteur de température de chaque appareil peut être différent.

Pour éviter un surcroît de consommation d'énergie, lorsque les fenêtres sont ouvertes, vous devriez éteindre l'appareil lorsque vous aérez la pièce.

5.2 Protection contre le gel

» Tournez le sélecteur de température à fond vers la droite. À cette position, la commande de température active l'élément

OPERATION

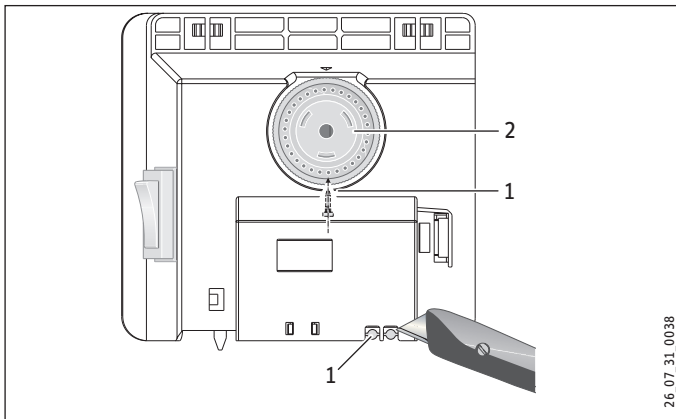
NETTOYAGE, SOIN ET ENTRETIEN

chauffant automatiquement si la température ambiante passe au-dessous de la température de protection contre le gel (47 °F / 7 °C).

5.3 Restrictions pour le contrôle des températures

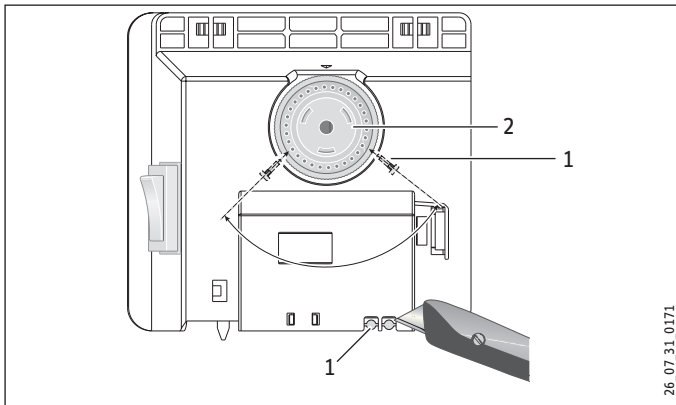
À l'aide des deux goupilles encastrées à l'arrière du boîtier de commande vous pouvez fixer la commande de température à une certaine température ou limiter la plage de réglage des températures.

- » Cassez les goupilles.
- » Pour fixer la température sélectionnée, enfoncez une goupille dans le trou opposé (voir le schéma).



- 1 Goupille
- 2 Sélecteur de température

- » Pour limiter la plage de réglage des températures, fixez les valeurs maximale et minimale permises dans le sélecteur de température, puis enfoncez une goupille pour chacune dans le trou opposé légèrement décalé (voir le schéma).



- 1 Goupille
- 2 Sélecteur de température

5.4 Désactivation

- » Déplacez l'interrupteur à droite de l'appareil sur OFF (arrêt).

6. Nettoyage, soin et entretien



AVERTISSEMENT

Avant de nettoyer, veillez à ce que l'appareil ait été désactivé au panneau du disjoncteur et que l'élément chauffant de l'appareil soit froid. Le non-respect de cette directive pourrait entraîner des brûlures, l'électrocution, des blessures graves, voire mortelles.

Si une tache brune claire apparaît sur le boîtier de l'appareil, essuyez-là dès que possible à l'aide d'un chiffon humide. Nettoyez l'appareil lorsqu'il est froid avec des produits nettoyants ordinaires. Évitez les produits nettoyants abrasifs ou corrosifs.



ATTENTION Incendie

Ne vaporisez jamais un produit nettoyant en aérosol dans la fente d'admission de l'air. Veillez à ce qu'aucune trace d'humidité ne pénètre dans l'appareil.

Nous vous conseillons de faire inspecter les éléments de commande dans le cadre d'un entretien de routine. Les éléments de sécurité et de commande doivent être examinés par un entrepreneur dans les premiers dix ans de mise en service.

7. Que faire si...

... L'appareil ne chauffe pas :

Vérifiez la température réglée à l'appareil et le boîtier du disjoncteur.

L'appareil possède une commande de température de sécurité qui désactive l'appareil en cas de surchauffe. Une fois que la cause à l'origine du problème a été éliminée (par exemple la sortie d'air ou les fentes d'admission de l'air ont été recouvertes) et que l'appareil s'est refroidi pendant quelques minutes, il se remet en marche automatiquement.

Si vous ne pouvez pas remédier au problème, contactez votre entrepreneur en chauffage. Pour faciliter et accélérer votre requête, veuillez fournir le numéro qui se trouve sur la plaque signalétique (n° XXXXXX - XXXX - XXXXXX).

8. Sécurité

Seuls les entrepreneurs qualifiés peuvent exécuter l'installation, la mise en service, l'entretien et la réparation de l'appareil.

8.1 Généralités relatives à la sécurité

Nous garantissons que l'appareil fonctionnera sans problème et de manière fiable uniquement si les accessoires d'origine et les pièces après-vente d'origine ont été utilisés.



DANGER Électrocution

Si vous fixez l'appareil au mur, faites en sorte que l'équipement de commande ne puisse pas être touché par une personne se trouvant dans la baignoire ou dans la douche.



ATTENTION

- Ne fixez l'appareil mural que sur une cloison verticale résistant aux températures allant jusqu'à 85 °C / 185 °F.
- Respectez les distances minimales vis-à-vis des surfaces des objets adjacents (pour les distances minimales, cf. le chapitre sur les spécifications).
- N'installez jamais l'appareil directement sous une prise murale.
- Veillez à ce que le câble ne soit touché aucun composant de l'appareil.

8.2 Directives, normes et règlements



Respectez tous les règlements et directives nationaux et régionaux en vigueur.



Respectez les règlements relatifs aux bâtiments et aux garages [ou les règlements locaux] en vigueur.

9. Description de l'appareil

9.1 Livraison normale

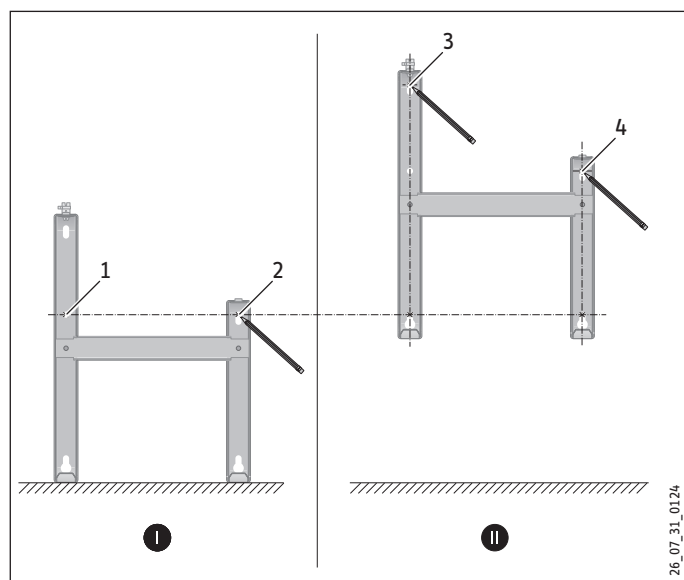
Support mural (qui s'accroche dans l'appareil).

10. Installation

10.1 Installation du support mural

Vous pouvez également utiliser le support mural comme gabarit pour la fixation au mur; cela garantit que la distance par rapport au sol sera respectée.

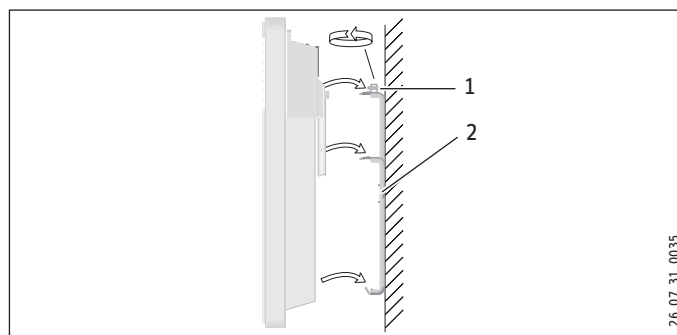
- » Décrochez le support mural.
- » Placez le support mural centré sur le sol, à niveau, et faites les repères pour les trous 1 et 2.
- » Soulevez le support mural de sorte que ses trous inférieurs soient en face des repères que vous venez de faire sur le mur.
- » Faites les repères pour les trous 3 et 4 sur le mur.



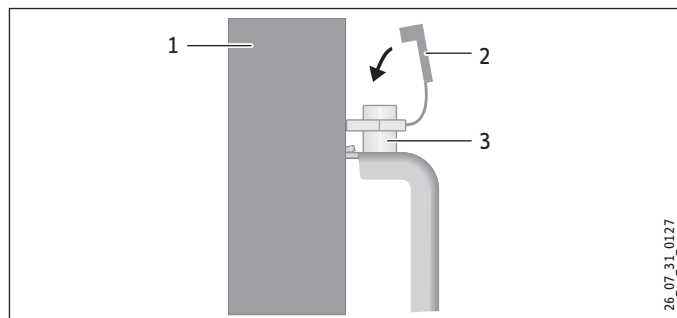
- » Percez les trous pour chacun des quatre repères. Fixez le support mural à l'aide de la quincaillerie appropriée (vis, chevilles) en fonction du type de cloison. Avec les fentes verticales, vous pouvez compenser un trou de fixation légèrement décalé.

10.2 Installation de l'appareil

- » Accrochez l'appareil en utilisant les fentes à l'arrière de l'appareil simultanément sur les quatre languettes du support mural.
- » Appuyez sur l'appareil pour l'enclencher dans la bonne position.
- » Tournez à fond dans le sens horaire le boulon bloquant sur le support mural; cela permet de bloquer l'appareil à la position voulue.
- » Appuyez le capuchon de sécurité sur le boulon bloquant pour éviter qu'il ne se desserre.



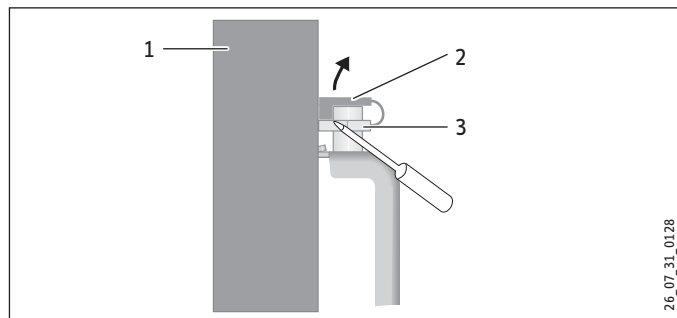
- 1 Boulon bloquant
- 2 Support mural



- 1 Appareil
- 2 Capuchon de sécurité
- 3 Boulon bloquant

10.3 Démontage de l'appareil

- » Retirez le capuchon de sécurité du boulon bloquant.



- 1 Appareil
- 2 Capuchon de sécurité
- 3 Boulon bloquant

INSTALLATION

DÉPANNAGE

- » Dévissez le boulon bloquant sur le support mural.
- » Soulevez légèrement l'appareil et tirez-le vers l'avant pour le décrocher du support mural.

10.4 Configuration électrique

- » Veillez à ce que le câble d'alimentation sur place possède une section suffisante.
- » Veillez à ce qu'une prise ou un disjoncteur pour une alimentation permanente soit installé à au moins 10 cm (4 po) du côté de l'appareil.



DANGER Électrocution!
Il est important de réaliser tous les raccordements et installations électriques en respectant tous les codes de bâtiments nationaux, provinciaux et locaux.



DANGER Électrocution!
Chaque appareil de chauffage doit être connecté directement au panneau électrique avec le disjoncteur de la taille recommandée avec le bon calibre de filage.



DANGER Électrocution!
Ne branchez pas l'appareil de chauffage dans une prise murale.



La tension spécifiée sur la plaque signalétique doit correspondre à la tension sur le panneau de disjoncteur.

11. Dépannage

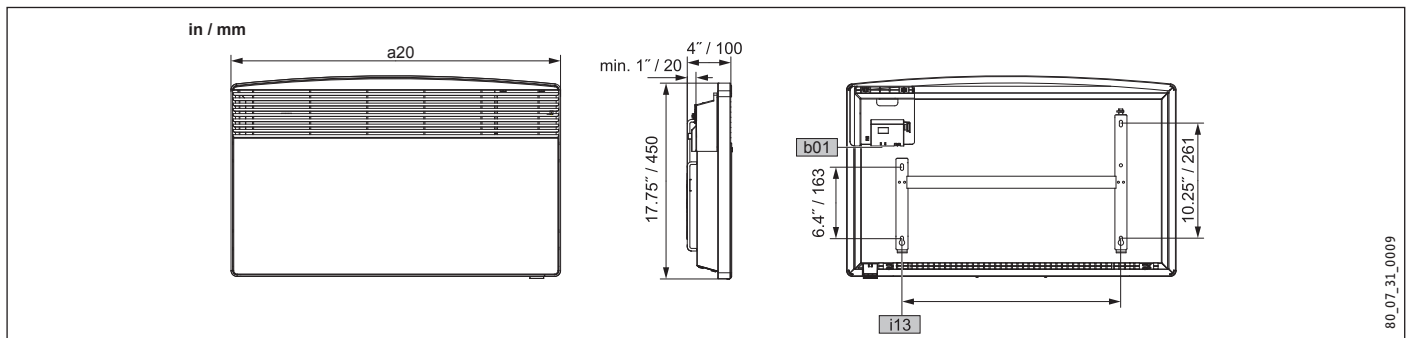
Le câble d'alimentation ne doit être remplacé que par un électricien utilisant nos pièces d'après-vente d'origine.

12. Transfert de l'appareil

Expliquez les fonctions de l'appareil à la personne qui va l'utiliser. Attirez en particulier l'attention de votre interlocuteur sur les renseignements relatifs à la sécurité. Remettez le mode d'emploi et les directives d'installation à la personne qui va l'utiliser.

13. Spécification

13.1 Dimensions de la version murale



| | | | CNS 50-2 E | CNS 75-2 E | CNS 100-2 E | CNS 150-2 E | CNS 200-2 E | CNS 240-2 E | |
|-----|-------------------------------|----------------------|------------|------------|-------------|-------------|-------------|-------------|------------|
| A20 | Appareil | Largeur | in / mm | 14.5 / 370 | 17.5 / 445 | 17.5 / 445 | 23.25 / 590 | 29.1 / 740 | 35.0 / 890 |
| B01 | Admission du câble électrique | | | | | | | | |
| i13 | Support mural | Espacement des trous | in / mm | 4.75 / 121 | 7.7 / 195 | 7.7 / 195 | 13.5 / 343 | 19.3 / 491 | 25.2 / 639 |

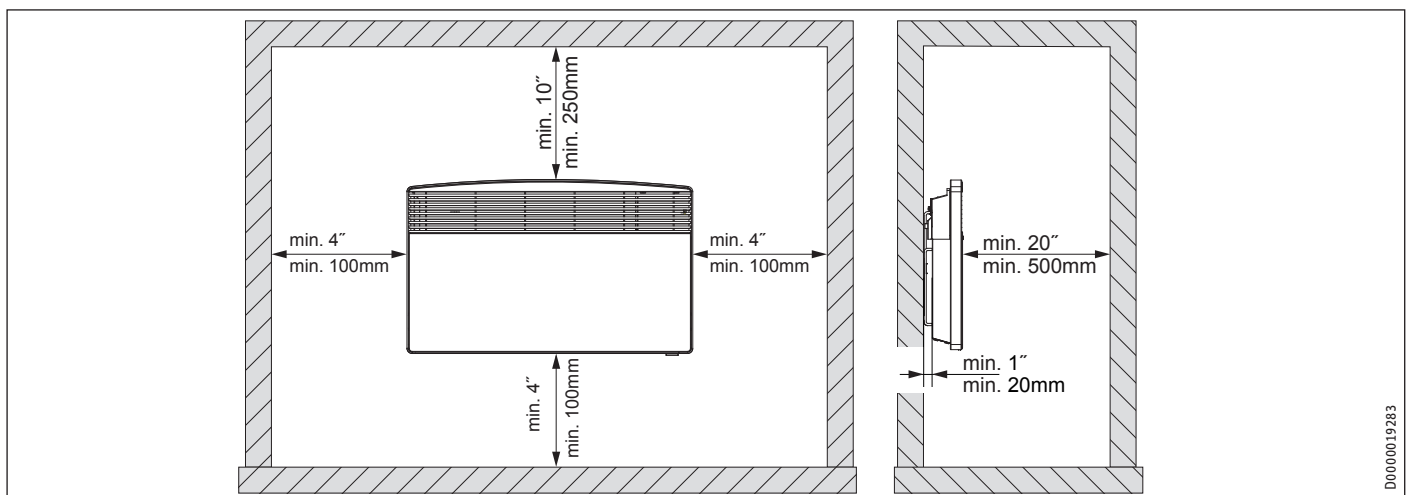


TABLEAU DES SPÉCIFICATIONS | GARANTIE ENVIRONNEMENT ET RECYCLAGE

13.2 Tableau des spécifications

| Modèle | | CNS 50-2 E | | CNS 75-2 E | | CNS 100-2 E | | CNS 150-2 E | | CNS 200-2 E | | CNS 240-2 E | |
|--|---------|--------------|------|--------------|------|--------------|------|--------------|------|--------------|-----|--------------|-----|
| N° de catalogue | | 231542 | | 232068 | | 231543 | | 231544 | | 231545 | | 231546 | |
| Tension | V | 240 | 208 | 240 | 208 | 240 | 208 | 240 | 208 | 240 | 208 | 240 | 208 |
| Puissance | kW | 0.5 | 0.38 | 0.75 | 0.56 | 1.0 | 0.75 | 1.5 | 1.13 | 2.0 | 1.5 | 2.4 | 1.8 |
| Ampérage | A | 2.1 | 1.8 | 3.1 | 2.7 | 4.2 | 3.6 | 6.3 | 5.4 | 8.3 | 7.2 | 10.0 | 8.7 |
| Plage des températures | °F / °C | 43-86 / 6-30 | | 43-86 / 6-30 | | 43-86 / 6-30 | | 43-86 / 6-30 | | 43-86 / 6-30 | | 43-86 / 6-30 | |
| Réglage pour la protection contre le gel | °F / °C | 47 / 7 | | 47 / 7 | | 47 / 7 | | 47 / 7 | | 47 / 7 | | 47 / 7 | |
| Hauteur | in / mm | 18.5 / 450 | | 18.5 / 450 | | 18.5 / 450 | | 18.5 / 450 | | 18.5 / 450 | | 18.5 / 450 | |
| Largeur | in / mm | 14.5 / 370 | | 17.5 / 445 | | 17.5 / 445 | | 23.25 / 590 | | 29.1 / 740 | | 35.0 / 890 | |
| Profondeur | in / mm | 4.0 / 100 | | 4.0 / 100 | | 4.0 / 100 | | 4.0 / 100 | | 4.0 / 100 | | 4.0 / 100 | |
| Poids | lb / kg | 8.4 / 3.8 | | 9.7 / 4.4 | | 9.7 / 4.4 | | 12.6 / 5.7 | | 15.0 / 6.8 | | 17.9 / 8.1 | |
| Indice IP | | IP24 | | IP24 | | IP24 | | IP24 | | IP24 | | IP24 | |
| Catégorie de Protection | | I | | I | | I | | I | | I | | I | |
| Couleur | | blanc alpin | | blanc alpin | | blanc alpin | | blanc alpin | | blanc alpin | | blanc alpin | |

Garantie

GARANTIE RÉSIDENIELLE ET COMMERCIALE : STIEBEL ELTRON, INC. GARANTIT LE APPAREIL DE CHAUFFAGE À CONVECTION MURAL DE LA SÉRIE CNS E CONTRE TOUT VICE DE FABRICATION ET DE MATÉRIEL AU PROPRIÉTAIRE INITIAL PENDANT UNE PÉRIODE DE TROIS (3) ANS À PARTIR DE LA DATE D'ACHAT. SI UNE PIÈCE QUELCONQUE S'AVÈRE DÉFECTUEUSE PENDANT CETTE PÉRIODE, DANS DES CONDITIONS D'UTILISATION NORMALE, STIEBEL ELTRON, INC. S'ENGAGE À REMPLACER CETTE PIÈCE (OU CES PIÈCES, LE CAS ÉCHÉANT) UNIQUEMENT. STIEBEL ELTRON, INC. N'ASSUME AUCUNE RESPONSABILITÉ POUR LES FRAIS DE MAIN D'ŒUVRE ENCOEURS POUR LE RETRAIT OU LE REMPLACEMENT DE LA PIÈCE DÉFECTUEUSE, NI POUR TOUT AUTRE FRAIS FORTUIT OU CONSÉCUTIF.

SI LE PROPRIÉTAIRE DÉSIRAIT RETOURNER LE APPAREIL DE CHAUFFAGE POUR QU'IL SOIT RÉPARÉ, IL DOIT D'ABORD OBTENIR L'AUTORISATION EXPRESSE DE STIEBEL ELTRON, INC. LE PROPRIÉTAIRE DOIT ENSUITE APPORTER LA PREUVE DE LA DATE D'ACHAT ET PAYER TOUTS LES FRAIS DE PORT POUR RENVOYER LA PIÈCE DÉFECTUEUSE OU LE APPAREIL DE CHAUFFAGE POUR QU'IL SOIT RÉPARÉ OU REMPLACÉ. UNE INSTALLATION OU UNE UTILISATION ERRONÉE DU SÉCHOIR DE MAINS OU TOUTE MODIFICATION DE LA CONCEPTION AURONT POUR EFFET D'ANNULER LA GARANTIE.

STIEBEL ELTRON, INC.
17 West Street
West Hatfield, MA 01088, USA
PHONE: 800.582.8423 or 413.247.3380
FAX: 413.247.3369
Email info@stiebel-eltron-usa.com
www.stiebel-eltron-usa.com



L'installation, le branchement électrique et la première mise en route de cet appareil doivent être exécutés par un prestataire qualifié.



La société rejette toute responsabilité pour toute défaillance du produit livré qui n'aurait pas été installé et mis en route conformément aux directives du fabricant.

Environnement et recyclage

Veuillez nous aider à protéger l'environnement en mettant les matériaux d'emballage au rebut conformément aux règlements nationaux relatifs au traitement des déchets.

United States of America

STIEBEL ELTRON, Inc.
17 West Street | 01088 West Hatfield MA
Tel. 0413 247-3380 | Fax 0413 247-3369
Toll-free 800.582.8423
info@stiebel-eltron-usa.com
www.stiebel-eltron-usa.com

Austria

STIEBEL ELTRON Ges.m.b.H.
Eferdinger Str. 73 | 4600 Wels
Tel. 07242 47367-0 | Fax 07242 47367-42
info@stiebel-eltron.at
www.stiebel-eltron.at

Belgium

STIEBEL ELTRON bvba/sprl
't Hofveld 6 - D1 | 1702 Groot-Bijgaarden
Tel. 02 42322-22 | Fax 02 42322-12
info@stiebel-eltron.be
www.stiebel-eltron.be

Czech Republic

STIEBEL ELTRON spol. s r.o.
K Hájům 946 | 155 00 Praha 5 - Stodůlky
Tel. 251116-111 | Fax 235512-122
info@stiebel-eltron.cz
www.stiebel-eltron.cz

Denmark

Pettinaroli A/S
Mandal Allé 21 | 5500 Middelfart
Tel. 06341 666-6 | Fax 06341 666-0
info@pettinaroli.dk
www.stiebel-eltron.dk

Deutschland

STIEBEL ELTRON GmbH & Co. KG
Dr.-Stiebel-Straße | 37603 Holzminden
Tel. 05531 702-0 | Fax 05531 702-480
info@stiebel-eltron.de
www.stiebel-eltron.de

Finland

Insinöörtoimisto Olli Andersson Oy
Kapinakuja 1 | 04600 Mäntsälä
Tel. 020 720-9988 | Fax 020 720-9989
info@stiebel-eltron.fi
www.stiebel-eltron.fi

France

STIEBEL ELTRON SAS
7-9, rue des Selliers
B.P 85107 | 57073 Metz-Cédex 3
Tel. 0387 7438-88 | Fax 0387 7468-26
info@stiebel-eltron.fr
www.stiebel-eltron.fr

Hungary

STIEBEL ELTRON Kft.
Pacsirtamező u. 41 | 1036 Budapest
Tel. 01 250-6055 | Fax 01 368-8097
info@stiebel-eltron.hu
www.stiebel-eltron.hu

Japan

NIHON STIEBEL Co. Ltd.
Ebara building 3F
2-9-3 Hamamatsu-cho
Minato-Ku | 105-0013 Tokyo
Tel. 03 34364662 | Fax 03 34594365
info@nihonstiebel.co.jp
www.nihonstiebel.co.jp

Netherlands

STIEBEL ELTRON Nederland B.V.
Daviottenweg 36
5222 BH 's-Hertogenbosch
Tel. 073 623-0000 | Fax 073 623-1141
stiebel@stiebel-eltron.nl
www.stiebel-eltron.nl

Poland

STIEBEL ELTRON Polska Sp. z o.o.
ul. Instalatorów 9 | 02-237 Warszawa
Tel. 022 60920-30 | Fax 022 60920-29
stiebel@stiebel-eltron.com.pl
www.stiebel-eltron.com.pl

Russia

STIEBEL ELTRON LLC RUSSIA
Urzhumskaya street 4,
building 2 | 129343 Moscow
Tel. 0495 7753889 | Fax 0495 7753887
info@stiebel-eltron.ru
www.stiebel-eltron.ru

Slovakia

TATRAMAT - ohrievače vody, s.r.o.
Hlavná 1 | 058 01 Poprad
Tel. 052 7127-125 | Fax 052 7127-148
info@stiebel-eltron.sk
www.stiebel-eltron.sk

Sweden

STENERGY
Vasagatan 14 | 545 30 Töreboda
Sales:
Tel. 0506 105-10 | info@stiebel-eltron.se
Technique & Service:
Tel. 0150 54200 | info@heatech.se
www.stiebel-eltron.se

Switzerland

STIEBEL ELTRON AG
Netzibodenstr. 23 c | 4133 Pratteln
Tel. 061 81693-33 | Fax 061 81693-44
info@stiebel-eltron.ch
www.stiebel-eltron.ch

Thailand

STIEBEL ELTRON Asia Ltd.
469 Moo 2 Tambol Klong-Jik
Amphur Bangpa-In | 13160 Ayutthaya
Tel. 035 220088 | Fax 035 221188
info@stiebeltronasia.com
www.stiebeltronasia.com

United Kingdom and Ireland

STIEBEL ELTRON UK Ltd.
Unit 12 Stadium Court
Stadium Road | CH62 3RP Bromborough
Tel. 0151 346-2300 | Fax 0151 334-2913
info@stiebel-eltron.co.uk
www.stiebel-eltron.co.uk

STIEBEL ELTRON



Irrtum und technische Änderungen vorbehalten! | Subject to errors and technical changes! | Sous réserve d'erreurs et de modifications techniques! | Onder voorbehoud van vergissingen en technische wijzigingen! | Salvo error o modificación técnica! | Rätt till misstag och tekniska ändringar förbehålls! | Excepto erro ou alteração técnica | Zastrzeżone zmiany techniczne i ewentualne błędy | Omyly a technické zmeny jsou vyhrazeny! | A muszaki változtatások és tévedések jogát fenntartjuk! | Отсутствие ошибок не гарантируется. Возможны технические изменения. | Chyby a technické zmeny sú vyhradené! | Stand 8643