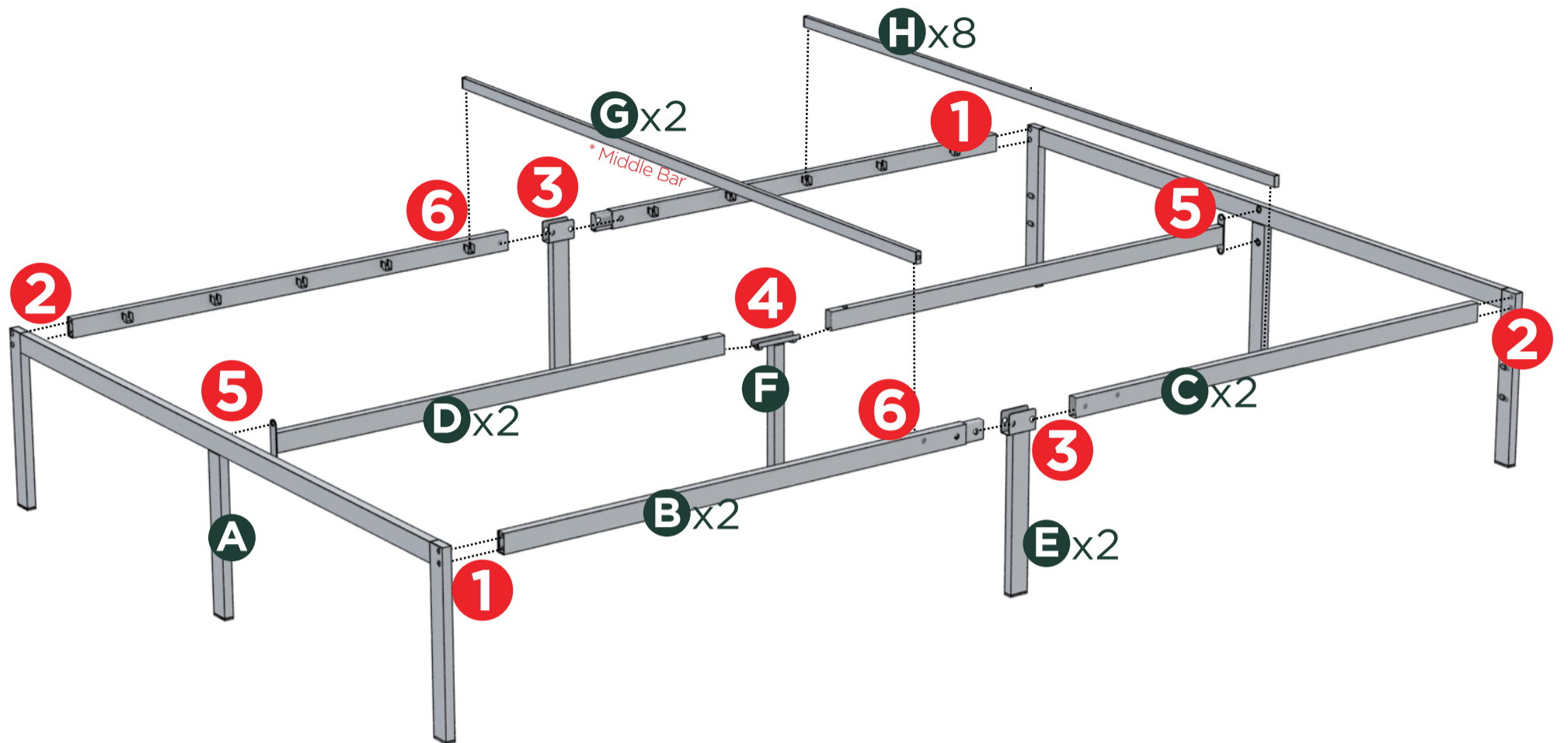




ZINUS®

### # Numbering System

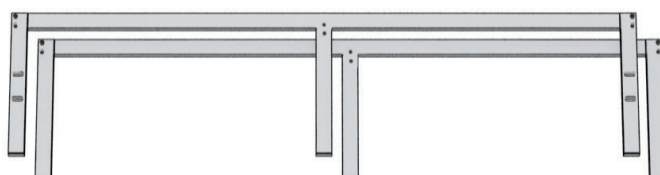
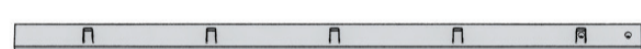






Easy assembly by following 1,2,3...

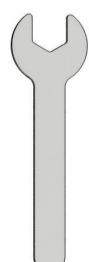
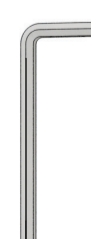






## Metal Platform Bed

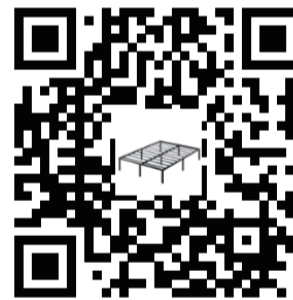
Available in Full, Queen, and King sizes

### Components

-  **A** x 1set
-  **B** x 2pcs
-  **C** x 2pcs
-  **D** x 2pcs
-  **E** x 2pcs
-  **F** x 1pc
-  **G** x 2pcs  
*\* Middle Bar*
-  **H** x 8pcs

-  x 1 pc
-  x 1 pc
-  x 4 pcs
-  **S** x 4 pcs
-  **M** x 16 pcs
-  **L** x 2 pcs

### Easy-to-follow assembly video



#### SCAN ME

Use your smartphone's camera to scan this QR code and watch an easy-to-follow assembly video.

### Return Policy

ZINUS believes you will absolutely love your new addition to your home, but if for some reason you want to return the product, please contact us directly before you decide to return your product to the retailer. Our Customer Service organization can answer most concerns and can assist you with any questions you may have about your new product.

Please contact us first by emailing [customerservice@zinusinc.com](mailto:customerservice@zinusinc.com) or by submitting a request at <https://support.zinus.com>

The item must be returned in good condition, in original box, with all original proof of purchase, parts and accessories, within the time frame specified by the retailer it was purchased from.

Please visit [Zinus.com](https://www.zinus.com) for warranty information on your new product.

# Easy as 1 2 3

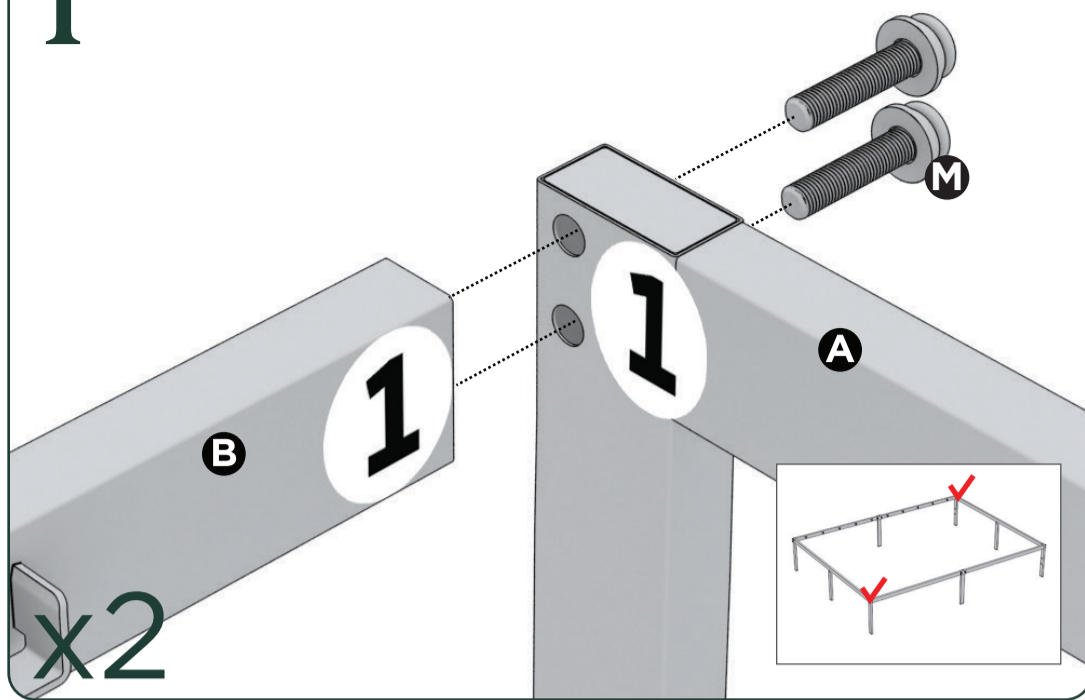
## Assembly Instruction

Numbers must Match for Secure Assembly

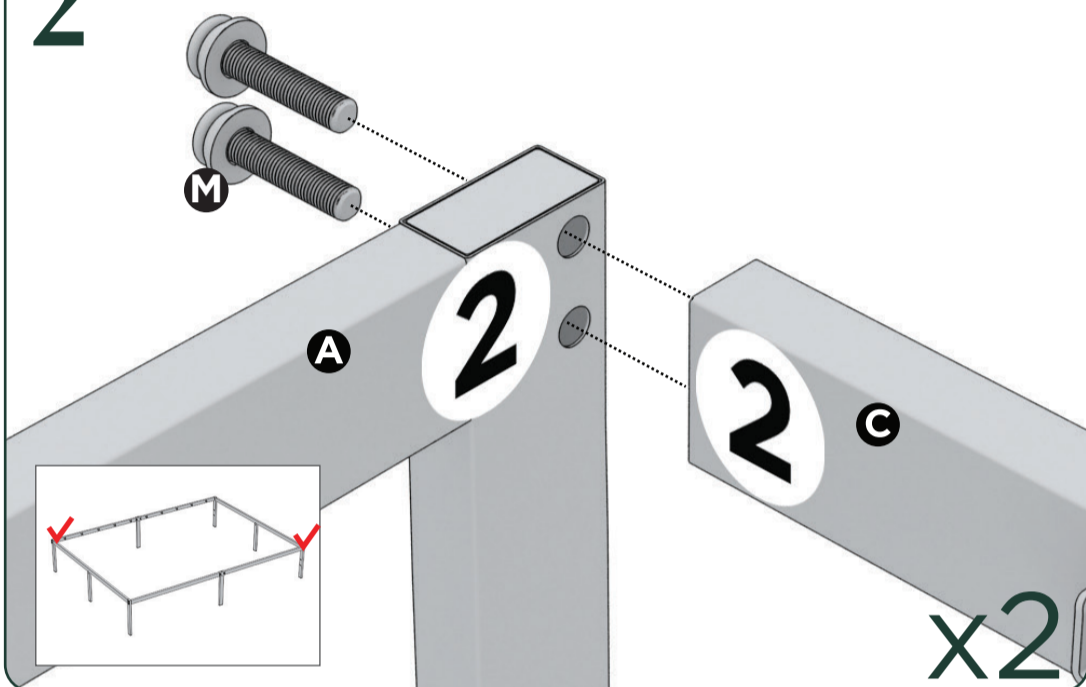
1 2 3 ... 6

**Metal Platform Bed**  
Available in Full, Queen, and King sizes

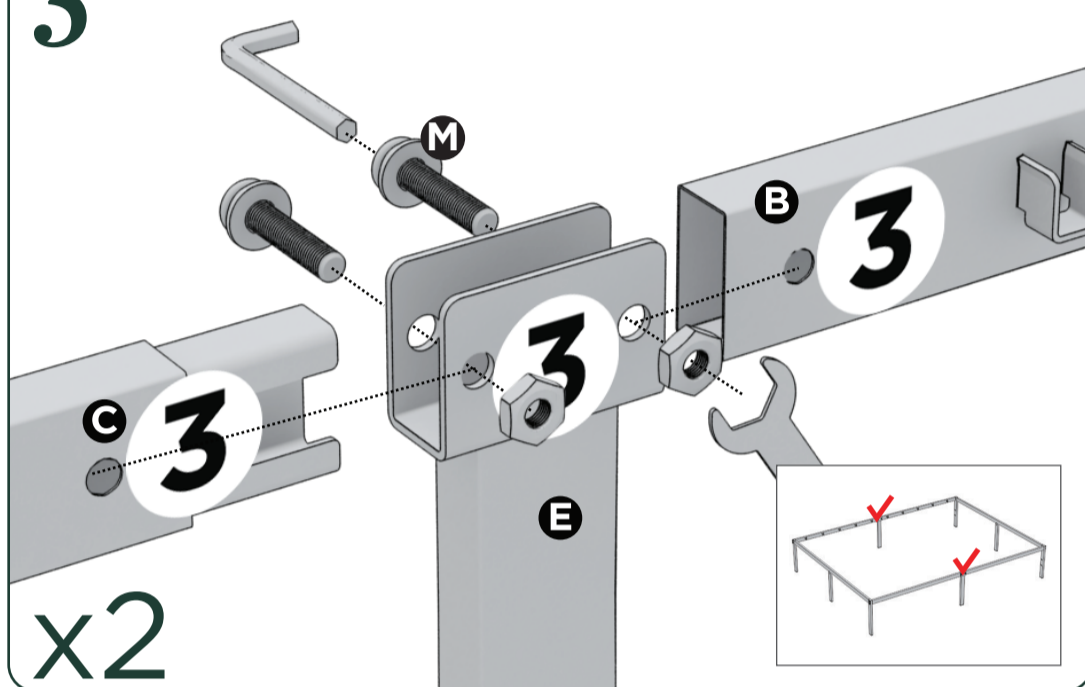
1



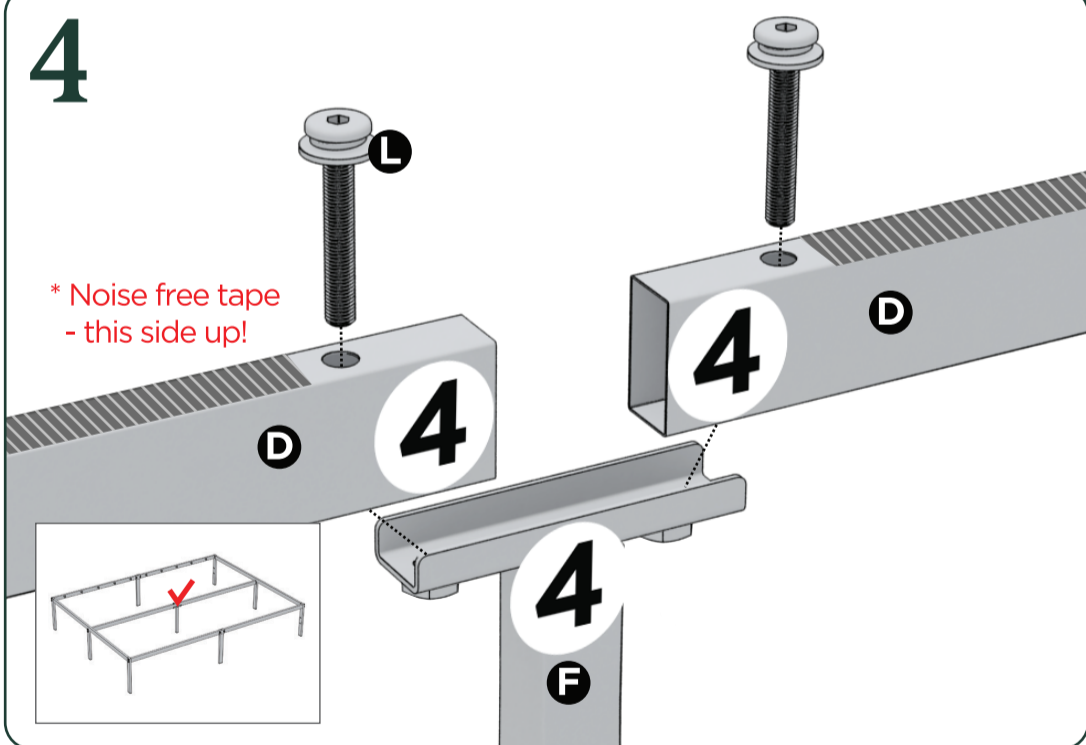
2



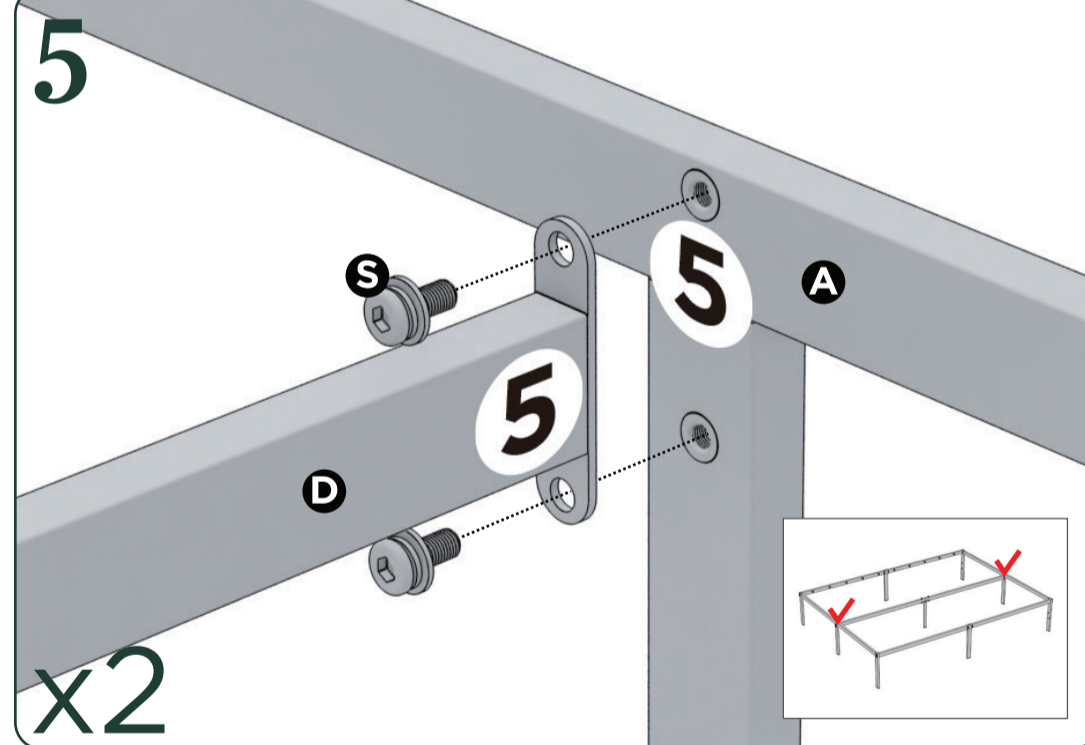
3



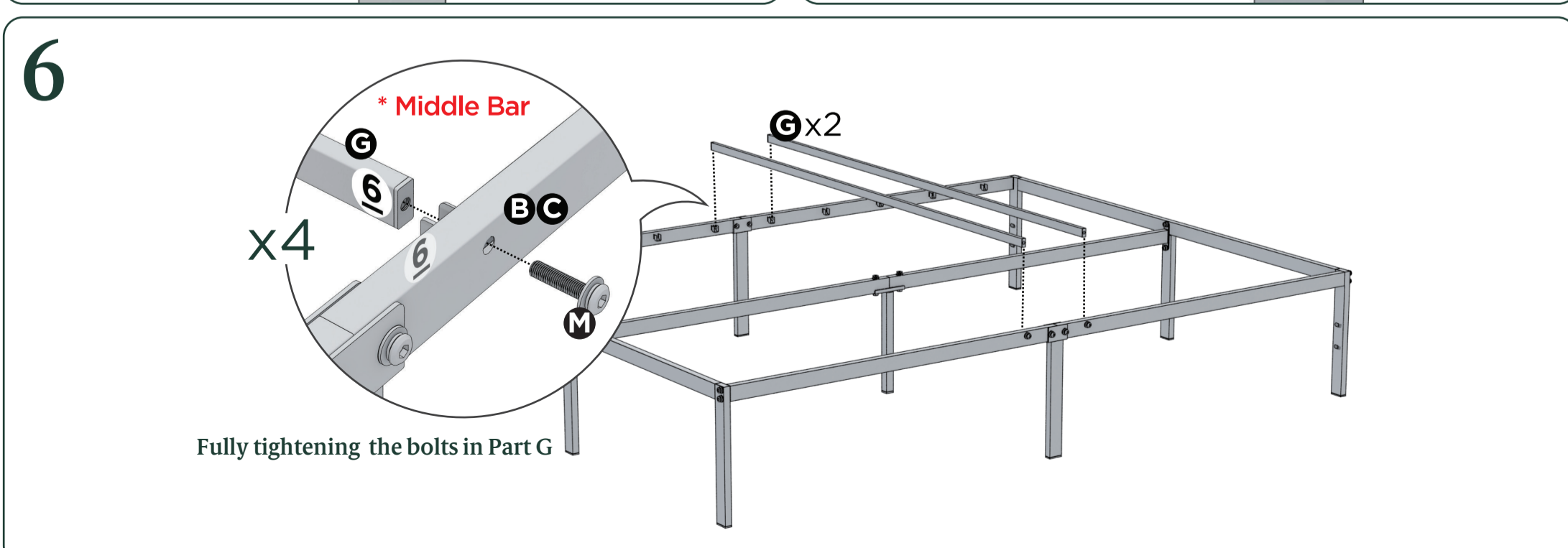
4



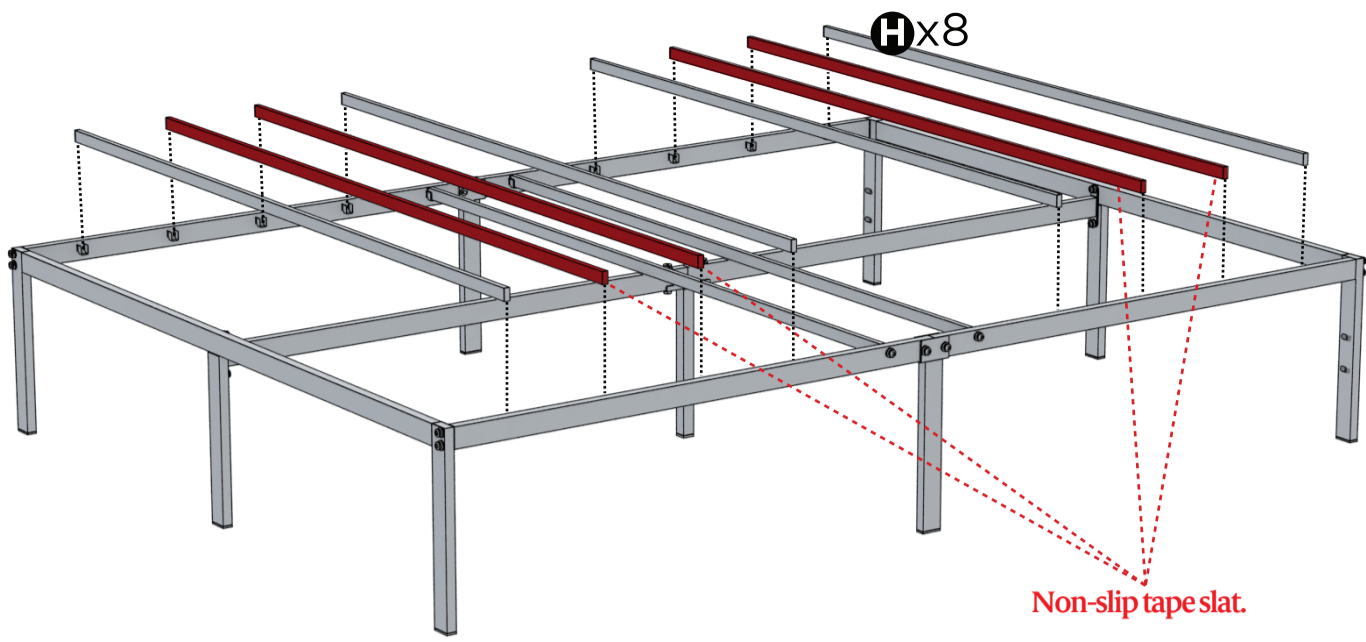
5



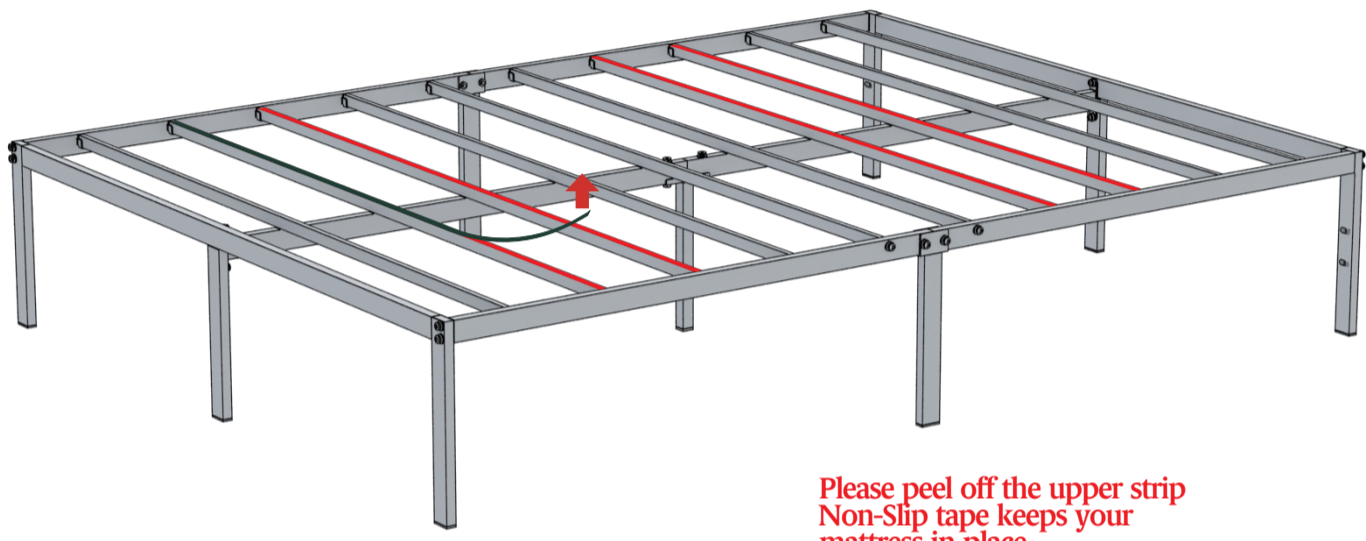
6



7



8



9

