

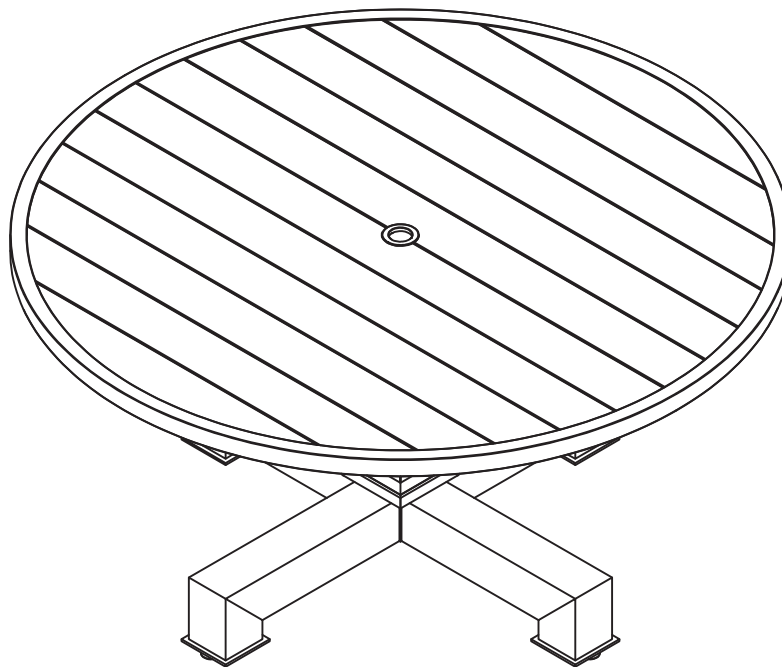


Item #1003 533 239

Model #GT-6687A-SSS

USE AND CARE GUIDE

GRAYSON DINING TABLE



Questions, problems, missing parts? Before returning to the store,

call Hampton Bay Customer Service

8 a.m. - 7 p.m., EST, Monday-Friday

9 a.m. - 6 p.m., EST, Saturday

1-855-HD-HAMPTON

HAMPTONBAY.COM

THANK YOU

We appreciate the trust and confidence you have placed in Hampton Bay through the purchase of this dining table. We strive to continually create quality products designed to enhance your home. Visit us online to see our full line of products available for your home improvement needs. Thank you for choosing Hampton Bay!

Table of Contents

Table of Contents	2	Pre-Assembly.....	3
Important Safety Instructions	2	Planning Assembly	3
Warranty	2	Hardware Included	3
What is covered	2	Package Contents	3
What is not covered	2	Assembly	4
		Care and Cleaning	5

Important Safety Instructions

SAVE THESE INSTRUCTIONS

READ ALL INSTRUCTIONS BEFORE USE

To reduce the risk of injury to persons:

1. Close supervision is necessary when this furnishing is used by or near children, or disabled persons, if applicable.
2. Use this furnishing only for its intended use as described in these instructions. Do not use attachments not recommended by the manufacturer.
3. This table is not intended to support an umbrella. Umbrellas must have a suitable base or stand.

Warranty

THIS IS A RESIDENTIAL WARRANTY ONLY AND THIS WARRANTY DOES NOT APPLY TO COMMERCIAL USE

2 YEAR FRAME AND FABRIC LIMITED WARRANTY

WHAT IS COVERED

We warrant the frame to be free of manufacturing defects to the original purchaser for five years.

WHAT IS NOT COVERED

It remains the customer's responsibility for freight and packaging charges to and from our service center. This warranty does not cover commercial use, hardware, acts of nature, fire, freezing, and abusive use. In addition, purchased parts are not covered under this warranty. We reserve the right to make substitutions with similar merchandise, if the model in question is no longer in production.

For a copy of our full limited warranty, please contact our customer service team below.

Contact the Customer Service Team at 1-855-HD-HAMPTON or visit www.hamptonbay.com.

Pre-Assembly

PLANNING ASSEMBLY

Please read this entire instruction manual prior to assembly.

Identify all parts packed in the carton against the parts list. Remove all protective materials and place the parts on a non-abrasive surface to avoid scratching.

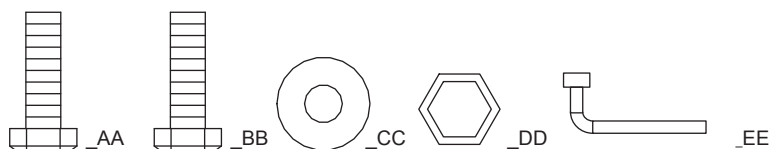


NOTE: More than one person may be required to complete the assembly of this product.

HARDWARE INCLUDED

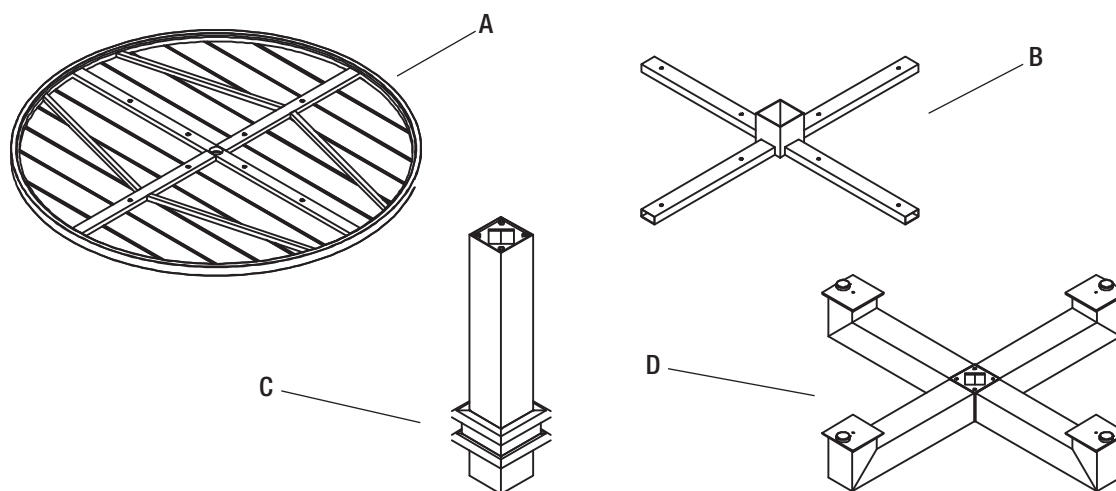


NOTE: Hardware not shown to actual size.



Part	Description	Quantity
AA	M6*40 mm Hex bolt	8
BB	M6*20 mm Hex bolt	8
CC	M6 Washer	16
DD	M6 Hex bolt cap	16
EE	M6 Socket wrench	1

PACKAGE CONTENTS



Part	Description	Quantity
A	Table Top	1
B	"X" Shape Support Bar	1
C	Connector	1
D	Table Base	1

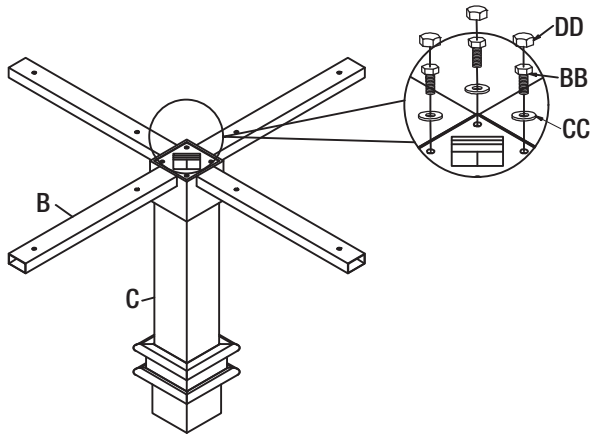
Assembly

1 Attaching the "X" shape support bar to the connector

- Attach the "X" shape support bar (B) to the connector (C) using M6x20 hex bolts (BB) and M6 washers (CC).
- Tighten all M6x20 Hex bolts (BB) with the M6 socket wrench (EE).
- Cover the bolt heads with caps (DD).



NOTE: Please ensure all bolts are aligned and assembled correctly. Fully tighten bolts with M6 socket wrench (EE).

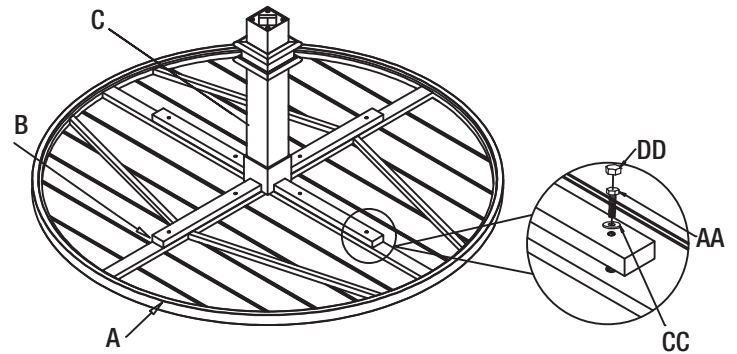


2 Attaching the "X" shape support bar to table top

- Attach the "X" shape support bar (B) to the table top (A) using M6x40 hex bolts (AA) and M6 washers (CC).
- Tighten all M6x40 Hex bolts (AA) with the M6 socket wrench (EE).
- Attach the bolt caps (DD).



NOTE: Please ensure the bolts are assembled correctly and use the M6 socket wrench (EE) to tighten.



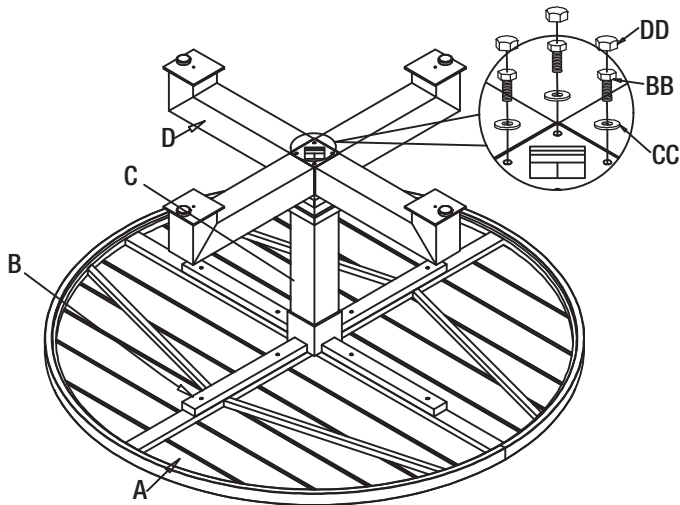
Assembly (continued)

3 Attaching the table base to the connector

- Attach the table base (D) to the connector (C) using M6x20 hex bolts (BB) and M6 washers (CC).
- Tighten all M6x20 Hex bolts (BB) with the M6 socket wrench (EE).
- Cover the bolt heads with caps (DD).

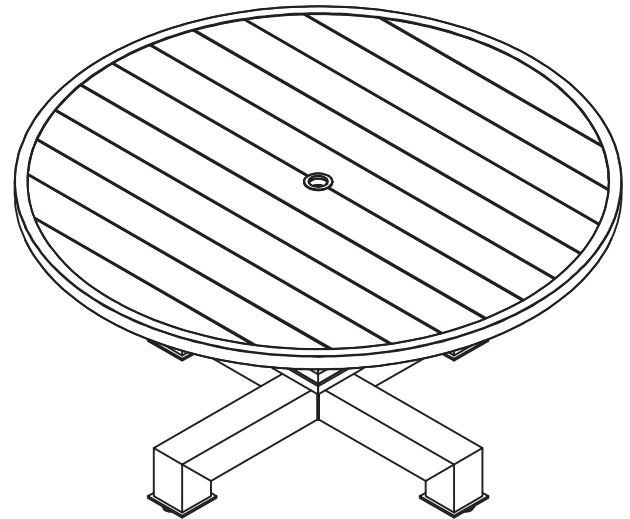


NOTE: Please ensure the bolts are assembled correctly and use the M6 socket wrench (EE) to tighten.



4 Positioning the table

- Turn the table over. The table is now ready for use.



Care and Cleaning

- Do not allow water to build up in the frames. This will cause corrosion and possible freezing damage in cold climates.
- Use a mild soap and water for normal cleaning. Do not use janitorial or alcohol based cleaners. Some cleaners may be marked as natural, but some ingredients may cause discoloration or have an adverse reaction to your finish.
- Rinse with clean water and dry with a soft, absorbent cloth towel.
- Treat the frames with a liquid wax for maximum protection against UV rays and/or salty, damp air.



Questions, problems, missing parts? Before returning to the store,
call Hampton Bay Customer Service
8 a.m. – 7 p.m., EST, Monday – Friday, 9 a.m. – 6 p.m., EST, Saturday

1-855-HD-HAMPTON

HAMPTONBAY.COM

Retain this manual for future use.



Coronado Casuals

OUTDOOR FURNITURE | PATIO UMBRELLAS

Grayson Ash Gray 7 Pc. Wicker Round Outdoor Dining Set with Midnight Blue Cushions

D-19002-SET DINING CHAIRS

The chairs come fully assembled. Carefully unpack the chairs and separate.

Questions, problems, missing parts? Before returning to the store, call Hampton Bay Customer Service 8 a.m. - 7 p.m., EST, Monday-Friday 9 a.m. - 6 p.m., EST, Saturday. **1-855-HD-HAMPTON**.

THANK YOU! We appreciate the trust and confidence you have placed in Hampton Bay through the purchase of this set. We strive to continually create quality products designed to enhance your home. Visit us online to see our full line of products available for your home improvement needs. Thank you for choosing Hampton Bay!