

READ THIS FIRST



Model G0728-31

*****IMPORTANT UPDATE*****

For Machines Mfd. Since 01/17
and Owner's Manual Revised 09/14

For questions or help with this product contact Tech Support at (570) 546-9663 or techsupport@grizzly.com

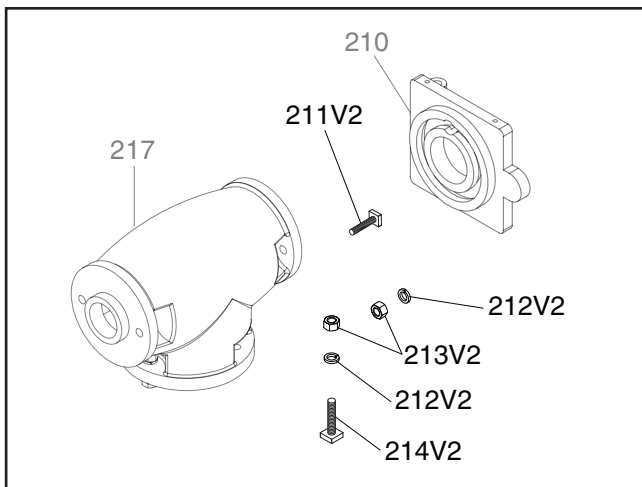
The following change was recently made to this machine since the owner's manual was printed:

- Headstock hex bolts replaced with square head bolts.

Aside from this information, all other content in the owner's manual applies and **MUST** be read and understood for your own safety. **IMPORTANT: Keep this update with the owner's manual for future reference.**

For questions or help, contact our Tech Support at (570) 546-9663 or techsupport@grizzly.com.

New Headstock Bolts



G0728 & G0729 Parts

REF	PART #	DESCRIPTION
211V2	P0728211V2	SQUARE BOLT M10-1.5 X 35 V2.01.17
212V2	P0728212V2	FLAT WASHER 10MM V2.01.17
213V2	P0728213V2	HEX NUT M10-1.5 V2.01.17
214V2	P0728214V2	SQUARE BOLT M10-1.5 X 40 V2.01.17

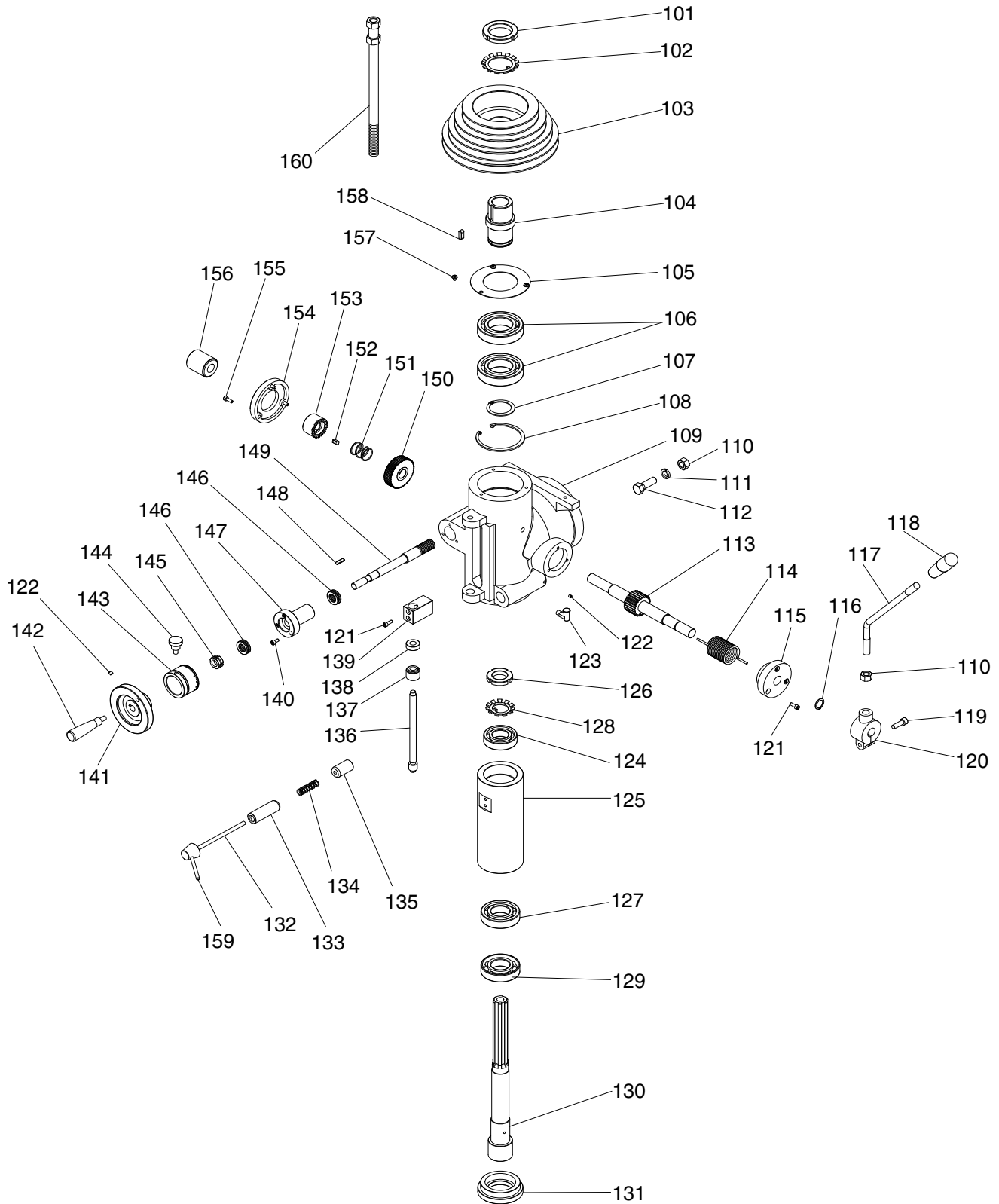
G0730 & G0731 Parts

REF	PART #	DESCRIPTION
211V2	P0730211V2	SQUARE BOLT M12-1.75 X 40 V2.01.17
212V2	P0730212V2	LOCK WASHER 12MM V2.01.17
213V2	P0730213V2	HEX NUT M12-1.75 V2.01.17
214V2	P0730214V2	SQUARE BOLT M12-1.75 X 45 V2.01.17

COPYRIGHT © MARCH, 2017 BY GRIZZLY INDUSTRIAL, INC.
**WARNING: NO PORTION OF THIS MANUAL MAY BE REPRODUCED IN ANY SHAPE
OR FORM WITHOUT THE WRITTEN APPROVAL OF GRIZZLY INDUSTRIAL, INC.**
#MN18825 PRINTED IN TAIWAN

SECTION 9: PARTS

G0728 & G0729 Head



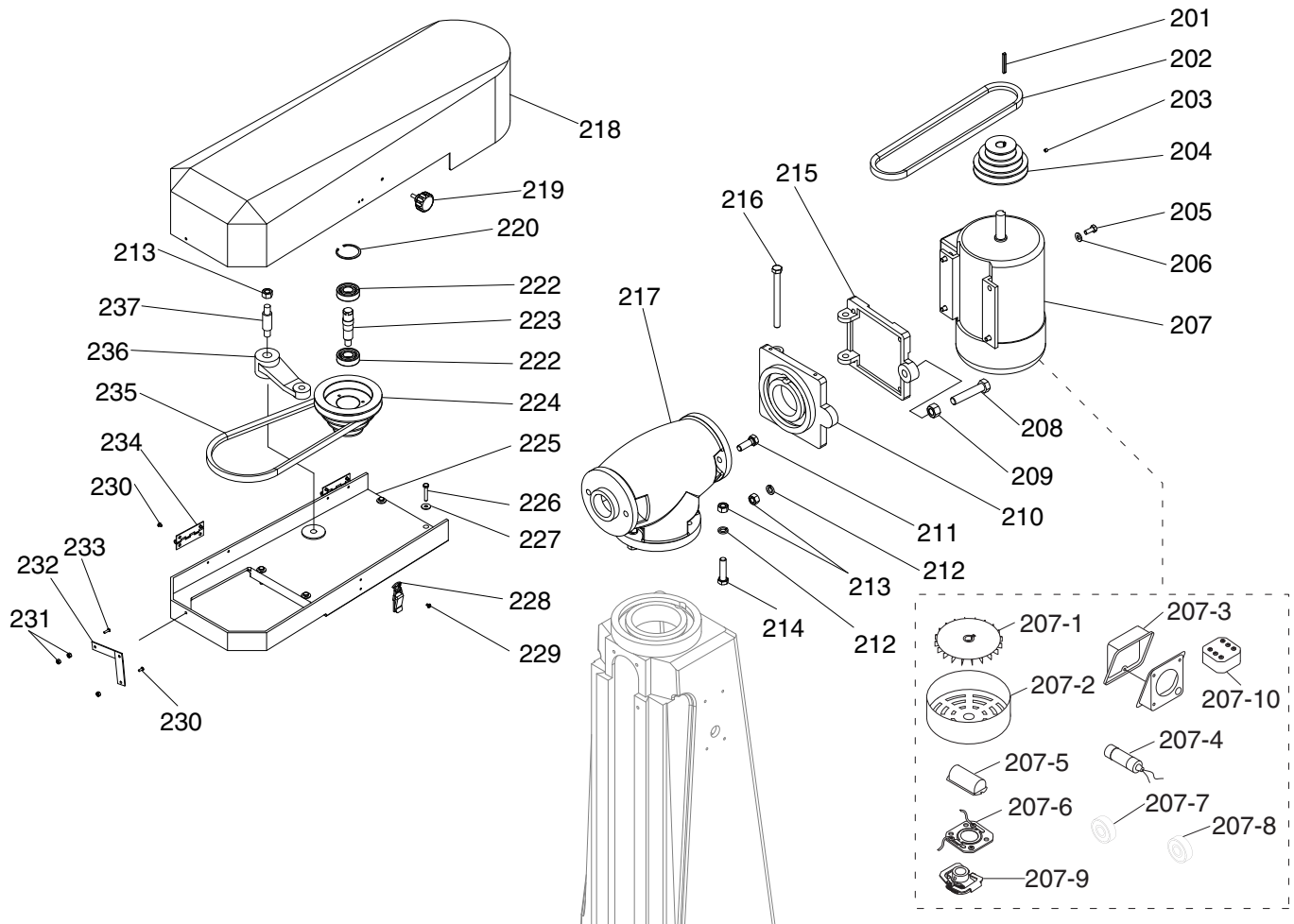
G0728 & G0729 Head Parts List

REF	PART #	DESCRIPTION
101	P0728101	SPINDLE NUT
102	P0728102	SHAFT LOCK WASHER
103	P0728103	SPINDLE PULLEY
104	P0728104	SPLINE SLEEVE
105	P0728105	BEARING COVER
106	P0728106	BALL BEARING 6009ZZ
107	P0728107	EXT RETAINING RING 45MM
108	P0728108	INT RETAINING RING 75MM
109	P0728109	HEAD CASTING
110	P0728110	HEX NUT 1/2-13
111	P0728111	LOCK WASHER 1/2
112	P0728112	HEX BOLT 1/2 -13 X 1/2
113	P0728113	GEAR SHAFT
114	P0728114	TORSION SPRING
115	P0728115	END CAP
116	P0728116	EXT RETAINING RING 19MM
117	P0728117	HANDLE LEVER
118	P0728118	KNOB 1/2-13
119	P0728119	CAP SCREW M8-1.25 X 20
120	P0728120	HANDLE BASE
121	P0728121	CAP SCREW M5-.8 X 16
122	P0728122	SET SCREW M6-1 X 8
123	P0728123	OIL CUP
124	P0728124	BALL BEARING 6206ZZ
125	P0728125	SPINDLE QUILL
126	P0728126	SPANNER NUT 30MM
127	P0728127	BALL BEARING 6007ZZ
128	P0728128	SHAFT LOCK WASHER 30MM
129	P0728129	ANG CONTACT BEARING 7207
130	P0728130	SPINDLE

REF	PART #	DESCRIPTION
131	P0728131	SPINDLE NUT
132	P0728132	LOCK KNOB SHAFT
133	P0728133	LOCK BLOCK SLEEVE
134	P0728134	COMPRESSION SPRING
135	P0728135	LOCK PLUNGER SMALL
136	P0728136	LIMIT BLOCK SCREW
137	P0728137	DOWNFEED LOCK RING
138	P0728138	DOWNFEED STOP RING
139	P0728139	QUILL DOG
140	P0728140	PHLP HD SCR M5-.8 X 15
141	P0728141	HANDWHEEL
142	P0728142	HANDLE 5/16-18 X 1/2
143	P0728143	GRADUATED DIAL
144	P0728144	LOCKING THUMB SCREW 5-.8 X 12
145	P0728145	SPANNER NUT 9/16-12
146	P0728146	THRUST BEARING 51102
147	P0728147	SLEEVE
148	P0728148	WOODRUFF KEY 5 X 20
149	P0728149	WORM SHAFT
150	P0728150	COUPLING WORM GEAR
151	P0728151	COMPRESSION SPRING
152	P0728152	WOODRUFF KEY 6 X 15
153	P0728153	COUPLING
154	P0728154	END CAP
155	P0728155	PHLP HD SCR M5-.8 X 10
156	P0728156	KNURLED KNOB
157	P0728157	PHLP HD SCR M5-.8 X 8
158	P0728158	KEY 7 X 7 X 20
159	P0728159	LOCK HANDLE
160	P0728160	DRAWBAR 7/16-20 X 12 W/NUT



G0728 & G0729 Drive System

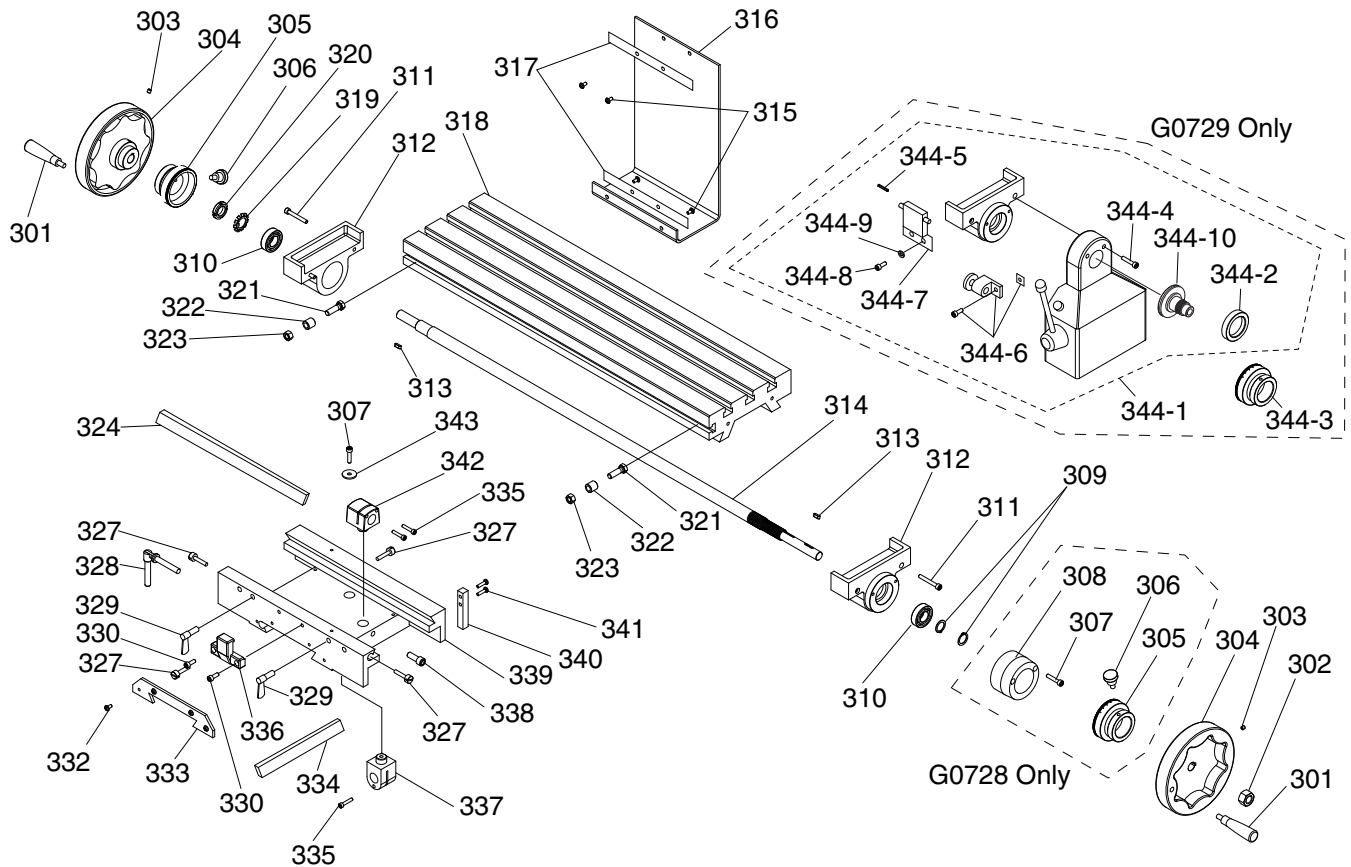


REF	PART #	DESCRIPTION
201	P0728201	KEY 5 X 40
202	P0728202	V-BELT A32
203	P0728203	SET SCREW M6-1 X 8
204	P0728204	MOTOR PULLEY
205	P0728205	CAP SCREW M8-1.25 X 20
206	P0728206	FLAT WASHER 8MM
207	P0728207	MOTOR 1-1/2HP 1PH 110V/220V
207-1	P0728207-1	MOTOR FAN
207-2	P0728207-2	MOTOR FAN COVER
207-3	P0728207-3	JUNCTION BOX
207-4	P0728207-4	START CAPACITOR
207-5	P0728207-5	CAPACITOR COVER
207-6	P0728207-6	CONTACT PLATE
207-7	P0728207-7	BALL BEARING 6205ZZ
207-8	P0728207-8	BALL BEARING 6203ZZ
207-9	P0728207-9	CENTRIFUGAL SWITCH 1725RPM
207-10	P0728207-10	TERMINAL BAR 3P
208	P0728208	HEX BOLT M16-2 X 75
209	P0728209	HEX NUT M16-2
210	P0728210	BRACKET
211	P0728211	HEX BOLT 1/2-13 X 1-1/2
212	P0728212	LOCK WASHER 1/2
213	P0728213	HEX NUT 1/2-12

REF	PART #	DESCRIPTION
214	P0728214	HEX BOLT 1/2-13 X 1-3/4
215	P0728215	MOUNTING PLATE
216	P0728216	BRACKET PIVOT PIN
217	P0728217	VERTICAL HEAD ADAPTER
218	P0728218	UPPER BELT COVER
219	P0728219	KNOB 3/8-16 X 1/2
220	P0728220	INT RETAINING RING 35MM
222	P0728222	BALL BEARING 6202ZZ
223	P0728223	PULLEY PIVOT PIN
224	P0728224	PULLEY IDLER
225	P0728225	LOWER BELT COVER
226	P0728226	HEX BOLT M6-1 X 35
227	P0728227	FLAT WASHER 6MM
228	P0728228	LATCH
229	P0728229	PHLP HD SCR M3-5 X 8
230	P0728230	PHLP HD SCR M5-.8 X 8
231	P0728231	HEX NUT 1/2-13
232	P0728232	COVER SUPPORTING ARM
233	P0728233	PHLP HD SCR M5-.8 X 10
234	P0728234	COVER HINGE
235	P0728235	V-BELT A35
236	P0728236	PULLEY SWIVEL
237	P0728237	PULLEY SWIVEL PIN



G0728 & G0729 Table & Saddle

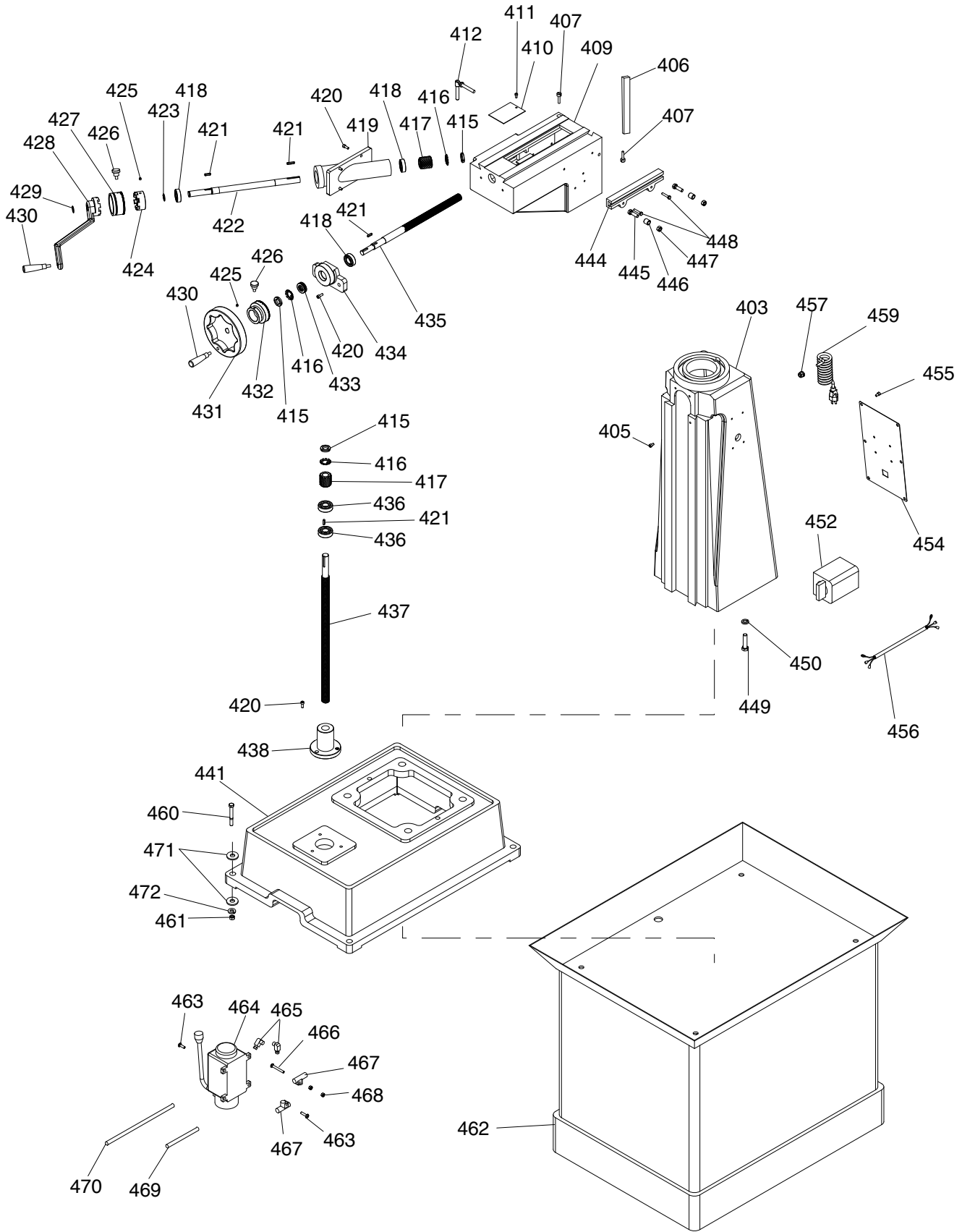


REF	PART #	DESCRIPTION
301	P0728301	HANDLE 3/8-16 X 1/2
302	P0728302	HEX NUT 5/8-11
303	P0728303	SET SCREW M6-1 X 8
304	P0728304	HANDWHEEL
305	P0728305	GRADUATED DIAL
306	P0728306	LOCKING THUMB SCREW 5-.8 X 12
307	P0728307	CAP SCREW M6-1 X 25
308	P0728308	SPACER
309	P0728309	EXT RETAINING RING 20MM
310	P0728310	BALL BEARING 6004ZZ
311	P0728311	CAP SCREW M6-1 X 45
312	P0728312	LEADSCREW BRACKET
313	P0728313	WOODRUFF KEY 5 X 20
314	P0728314	LONGITUDINAL LEADSCREW
315	P0728315	PHLP HD SCR M6-1 X 8
316	P0728316	WAY COVER
317	P0728317	WAY COVER HOLDER
318	P0728318	TABLE
319	P0728319	SPANNER NUT WASHER
320	P0728320	SPANNER NUT
321	P0728321	HEX BOLT M10-1.5 X 30
322	P0728322	ADJUSTING SCREW SLEEVE
323	P0728323	HEX NUT M10-1.5
324	P0728324	TABLE GIB
327	P0728327	GIB ADJUSTING SCREW

REF	PART #	DESCRIPTION
328	P0728328	LOCK LEVER
329	P0728329	TABLE LOCKING LEVER
330	P0728330	CAP SCREW M6-1 X 16
332	P0728332	PHLP HD SCR M5-.8 X 10
333	P0728333	WAY WIPER
334	P0728334	SADDLE GIB
335	P0728335	CAP SCREW M5-.8 X 25
336	P0728336	LIMIT SEAT
337	P0728337	CROSS LEADSCREW NUT
338	P0728338	CAP SCREW M8-1.25 X 25
339	P0728339	SADDLE
340	P0728340	STOP BLOCK
341	P0728341	PHLP HD SCR M5-.8 X 20
342	P0728342	LONGITUDINAL NUT
343	P0728343	FLAT WASHER 6MM
344-1	P0729344-1	POWER FEED ASSEMBLY
344-2	P0729344-2	RETAINING COLLAR
344-3	P0729344-3	GRADUATED DIAL
344-4	P0729344-4	CAP SCREW M6-1 X 25
344-5	P0729344-5	WOODRUFF KEY 3 X 30
344-6	P0729344-6	STOP W/ PLUNGER ASSY
344-7	P0729344-7	AUTO STOP SWITCH
344-8	P0729344-8	PHLP HD SCR M6-1 X 16
344-9	P0729344-9	FLAT WASHER 6MM
344-10	P0729344-10	POWER FEED ADAPTER GEAR



G0728 & G0729 Knee & Base



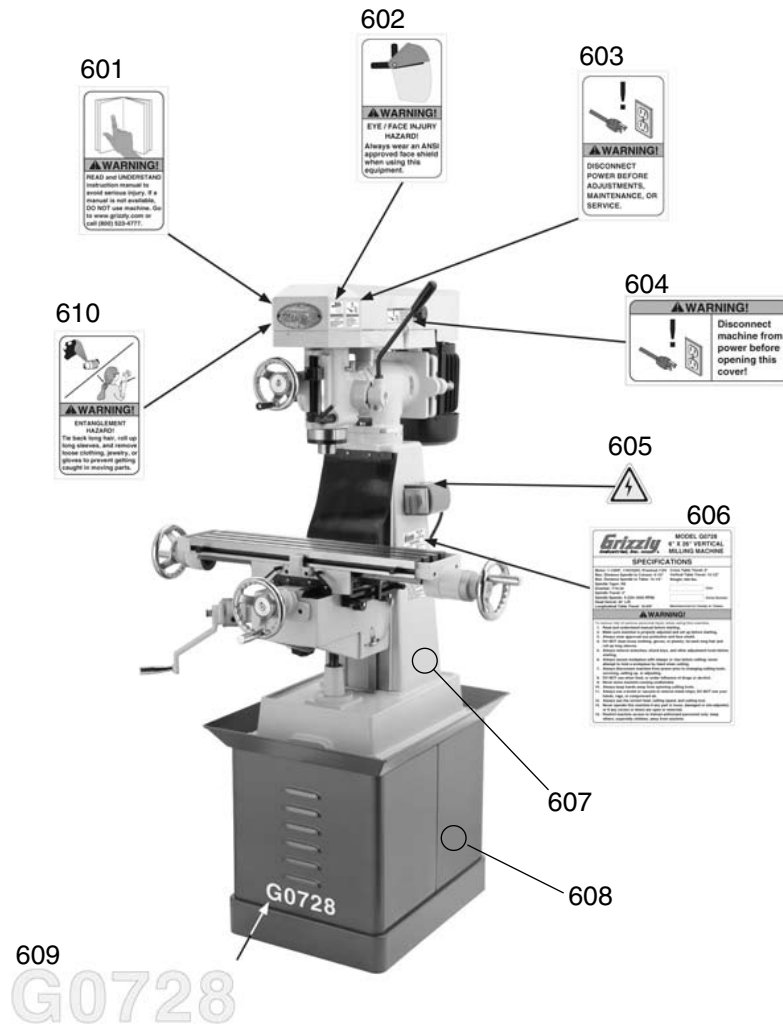
G0728 & G0729 Knee & Base Parts List

REF	PART #	DESCRIPTION
403	P0728403	COLUMN
405	P0728405	CAP SCREW M6-1 X 8
406	P0728406	KNEE GIB
407	P0728407	GIB ADJUSTMENT SCREW
409	P0728409	KNEE
410	P0728410	KNEE COVER
411	P0728411	PHLP HD SCR M3-.5 X 6
412	P0728412	LOCK LEVER
415	P0728415	SPANNER NUT
416	P0728416	TAB WASHER
417	P0728417	BEVEL GEAR
418	P0728418	BALL BEARING 6004ZZ
419	P0728419	GEAR SHAFT SLEEVE
420	P0728420	CAP SCREW M6-1 X 16
421	P0728421	WOODRUFF KEY 5 X 20
422	P0728422	VERTICAL CRANK SHAFT
423	P0728423	EXT RETAINING RING 20MM
424	P0728424	CLUTCH
425	P0728425	SET SCREW M6-1 X 8
426	P0728426	LOCKING THUMB SCREW 5-.8 X 12
427	P0728427	GRADUATED DIAL
428	P0728428	CRANK HANDLE ARM
429	P0728429	EXT RETAINING RING 18MM
430	P0728430	HANDLE 3/8-16 X 1/2
431	P0728431	HANDWHEEL
432	P0728432	GRADUATED DIAL
433	P0728433	THRUST BEARING 51104
434	P0728434	BEARING HOUSING
435	P0728435	CROSS LEAD SCREW
436	P0728436	BALL BEARING 6204ZZ

REF	PART #	DESCRIPTION
437	P0728437	LEADSCREW
438	P0728438	PEDESTAL
441	P0728441	MACHINE BASE
444	P0728444	LIMIT TRACK
445	P0728445	HEX BOLT M10-1.5 X 30
446	P0728446	SLEEVE
447	P0728447	HEX NUT M10-1.5
448	P0728448	HEX BOLT M6-1 X 30
449	P0728449	HEX BOLT 1/2 -13 X 2
450	P0728450	LOCK WASHER 1/2
452	P0728452	SPINDLE SWITCH KEDU ZH-HC-3
454	P0728454	COLUMN ACCESS PANEL
455	P0728455	PHLP HD SCR M6-1 X 10
456	P0728456	MOTOR CORD 14G 5W 36"
457	P0728457	STRAIGHT LT STRAIN RELIEF 3/8 PT
459	P0728459	POWER CORD 14G 3W 72" 5-15
460	P0728460	HEX BOLT 3/8-16 X 2
461	P0728461	HEX NUT 3/8-16
462	P0728462	STAND
463	P0728463	PHLP HD SCR M5-.8 X 15
464	P0728464	ONE SHOT OILER ASSEMBLY
465	P0728465	JOINT
466	P0728466	PHLP HD SCR M5-.8 X 30
467	P0728467	LIMIT BLOCK
468	P0728468	HEX NUT M5-.8
469	P0728469	OIL TUBING 4MM X 100MM
470	P0728470	OIL TUBING 4MM X 340MM
471	P0728471	FLAT WASHER 3/8
472	P0728472	LOCK WASHER 3/8



G0728 & G0729 Machine Labels



REF	PART #	DESCRIPTION
601	P0728601	READ MANUAL LABEL
602	P0728602	FACE SHIELD LABEL
603	P0728603	DISCONNECT 110V LABEL
604	P0728604	DISCONNECT 110V LABEL
605	P0728605	ELECTRICITY LABEL
606	P0728606	MACHINE ID LABEL (G0728)

REF	PART #	DESCRIPTION
606	P0729606	MACHINE ID LABEL (G0729)
607	P0728607	GRIZZLY TOUCH UP PAINT-PUTTY
608	P0728608	GRIZZLY TOUCH UP PAINT-GREEN
609	P0728609	MODEL NUMBER G0728
609	P0729609	MODEL NUMBER G0729
610	P0728610	ENTANGLEMENT HAZARD LABEL

WARNING

Safety labels warn about machine hazards and ways to prevent injury. The owner of this machine **MUST** maintain the original location and readability of the labels on the machine. If any label is removed or becomes unreadable, **REPLACE** that label before using the machine again. Contact Grizzly at (800) 523-4777 or www.grizzly.com to order new labels.

