

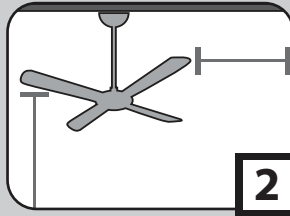
Congratulations on purchasing your new Casablanca® ceiling fan! It will provide comfort and performance in your home or office for many years. This installation and operation manual contains complete instructions for installing and operating your fan.

We are proud of our work and appreciate the opportunity to supply you with the best ceiling fan available anywhere in the world.

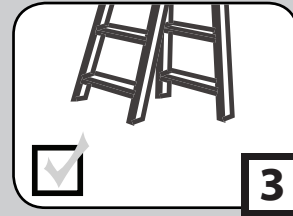
**To register your fan, please visit:**  
[www.CasablancaFanCo.com/register](http://www.CasablancaFanCo.com/register)

Save your receipt for proof of purchase.

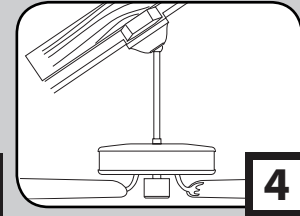
## What to Expect with Your Installation



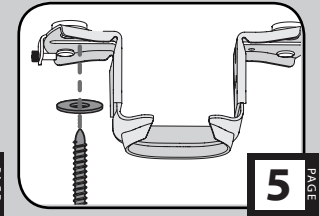
## Tools Needed



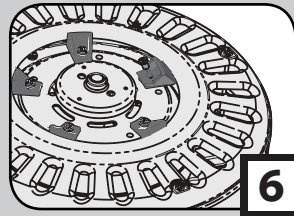
## Mounting Options



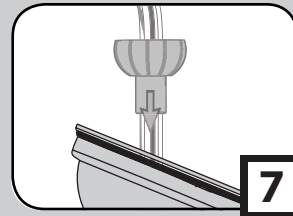
## Ceiling Bracket



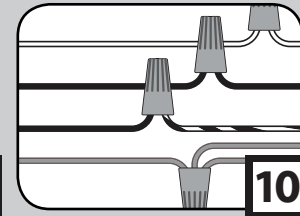
## Preparation



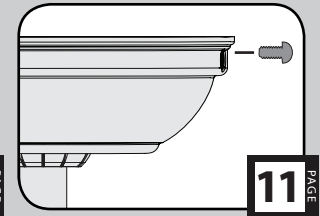
## Downrod



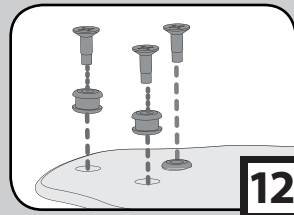
## Wiring



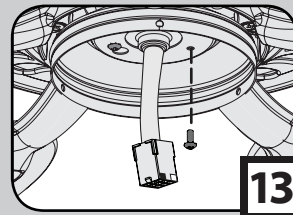
## Canopy



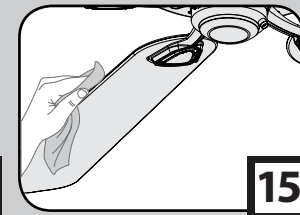
## Blades



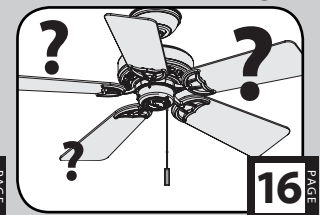
## Switch Housing



## Maintenance & Cleaning



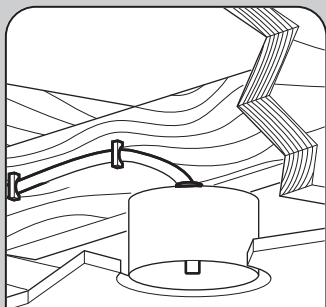
## Troubleshooting



# What to Expect with Your Installation

www.CasablancaFanCo.com

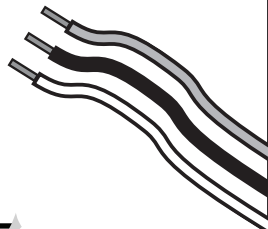
1.888.227.2178



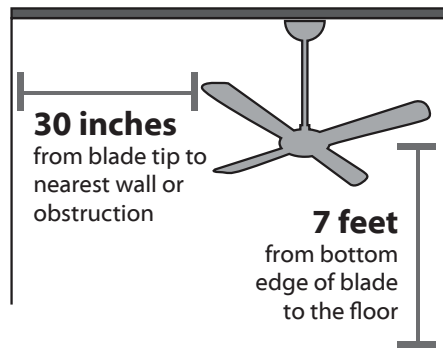
Must be able to secure the fan to building structure or fan-rated outlet box



If you are unfamiliar with wiring, use a qualified electrician.



Know your wiring



Assess location

You may need a friend to help you.



Check box to see fan weight



Ceiling angles greater than 34° will require an Angled Mounting Kit. See page 4 for details.



Assess ceiling angle

**1 Standard Downrod**  
for ceilings 8-10 feet high

**2 Shorter Downrod**  
for fans installed close to ceiling

**3 Longer Downrod**  
for ceilings 10 feet or higher



Select a downrod length

## Read and Save These Instructions

This product conforms to UL Standard 507.

### ⚠ WARNINGS

w.1 - To reduce the risk of fire, electrical shock, or personal injury, mount fan directly from building structure and/or an outlet box marked acceptable for fan support of 70 lbs (31.8 kg) and use the mounting screws provided with the outlet box.

w.2 - To avoid possible electrical shock, before installing or servicing your fan, disconnect the power by turning off the circuit breakers to the outlet box and associated wall switch location. If you cannot lock the circuit breakers in the off position, securely fasten a prominent warning device, such as a tag, to the service panel.

w.3 - To reduce the risk of fire, electrical shock, or motor damage, use only Hunter Solid State Speed Controls.

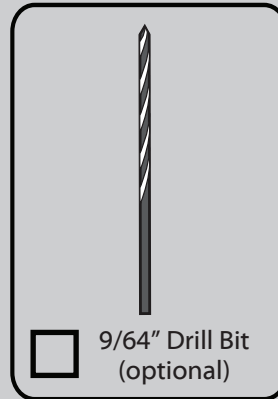
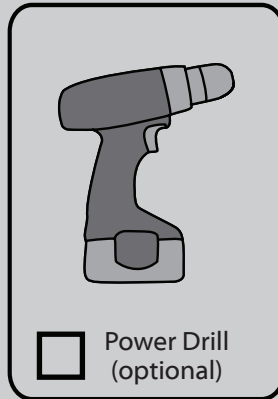
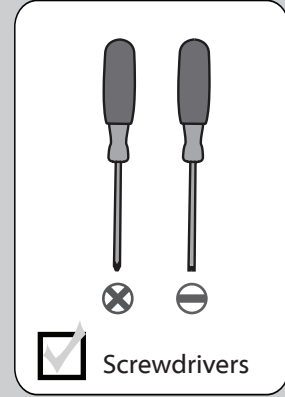
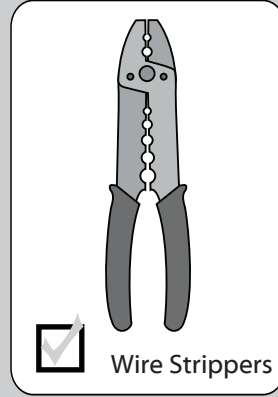
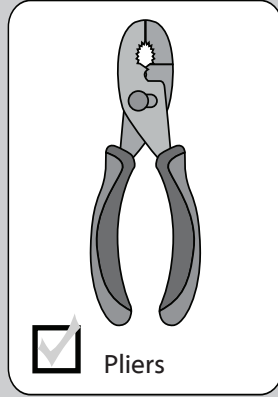
w.4 - To reduce the risk of personal injury, do not bend the blade brackets when installing the blade brackets, balancing the blades, or cleaning the fan. Do not insert foreign objects in between rotating fan blades.

### ⚠ CAUTIONS

c.1 - All wiring must be in accordance with national and local electrical codes ANSI/NFPA 70. If you are unfamiliar with wiring, use a qualified electrician.

c.2 - Use only Casablanca replacement parts.





**If mounting to a support structure, you will also need these tools.**

34°

CEILING ▲

**If you have a flat ceiling:**

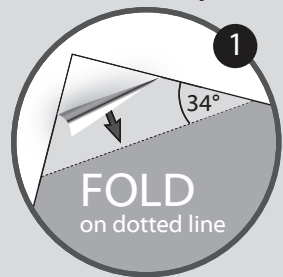
Hang your fan by a standard downrod (included).

Standard  
Mounting**OPTION 1****If you have an angled ceiling:**

1. You will need a longer downrod (sold separately).
2. If your ceiling angle is greater than 34°, you will also need an Angled Mounting Kit (sold separately).

Angled  
Mounting**OPTION 2**

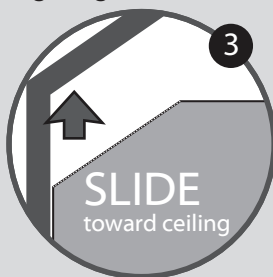
Use the three steps below to determine if your ceiling angle is greater than 34°



1

**FOLD**  
on dotted line

2

**PLACE**  
against wall

3

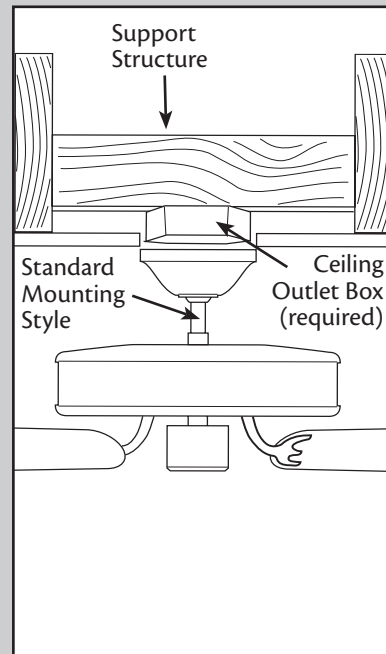
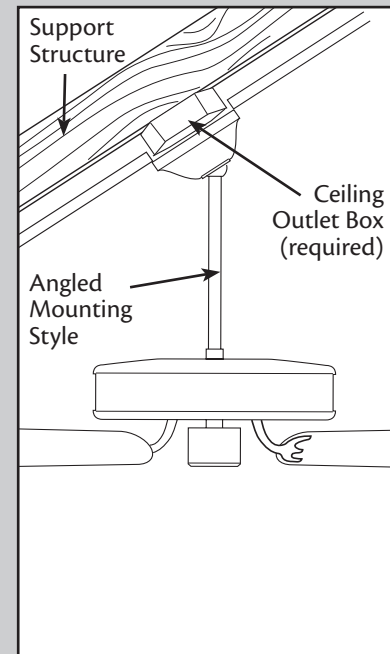
**SLIDE**  
toward ceilingGuide Touches  
**BOTH** Ceiling & WallYou need **ONLY**  
a Longer  
Downrod

\*most common

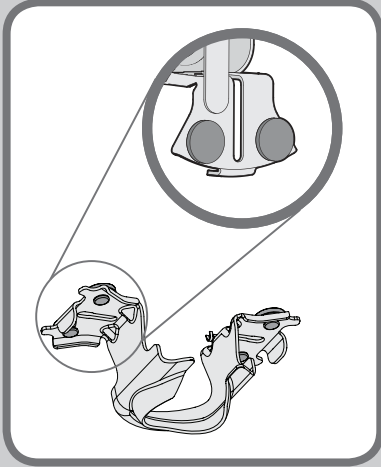
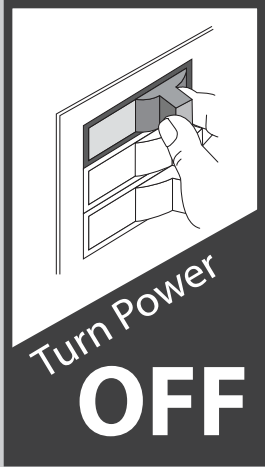
**SITUATION 1**Guide Touches Wall  
but **NOT** CeilingYou need **BOTH**  
a Longer  
Downrod &  
an Angled  
Mounting Kit**SITUATION 2****Mounting Options**

www.CasablancaFanCo.com

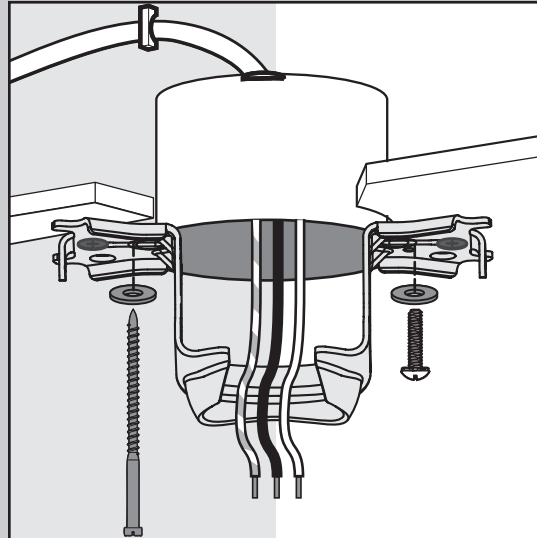
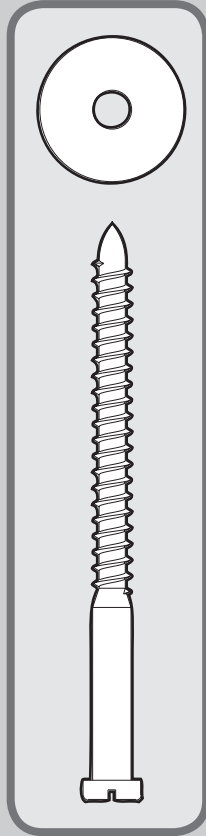
1.888.227.2178

Use **Standard Mounting**  
or **Low-Profile Mounting**  
to hang the fan from a flat ceiling.Use **Angled Mounting**  
to hang the fan from a  
vaulted or angled ceiling.



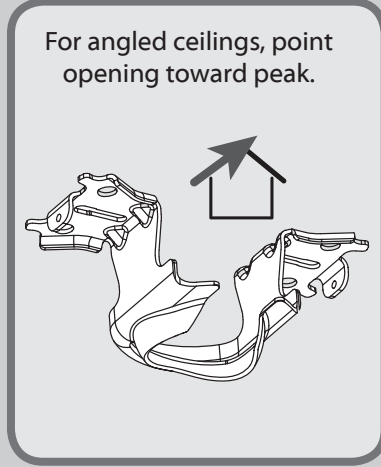


Make sure all four bumpers are still attached.



**Use wood screws** (included) when securing to support structure with approved electrical outlet box. Drill 9/64" pilot holes in support structure to aid in securing ceiling bracket with hardware found in the ★ hardware bag.

**Use machine screws** (provided with outlet box) when securing to existing ceiling fan-rated outlet box. Make sure it is securely installed and is acceptable for fan support of 31.8 kg (70 lbs) or less.



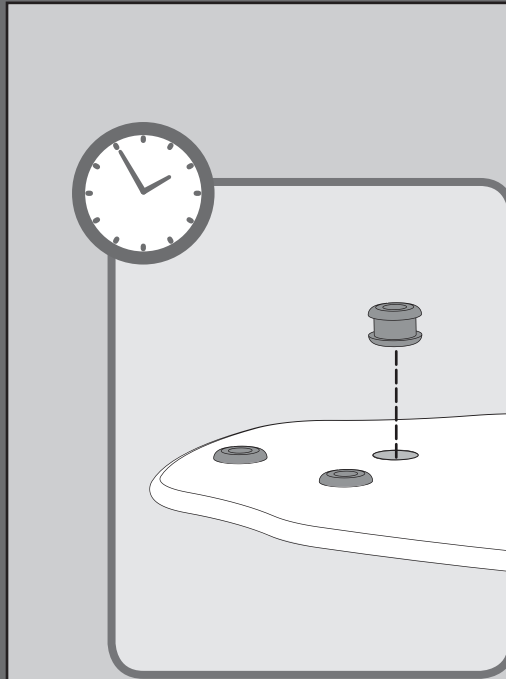
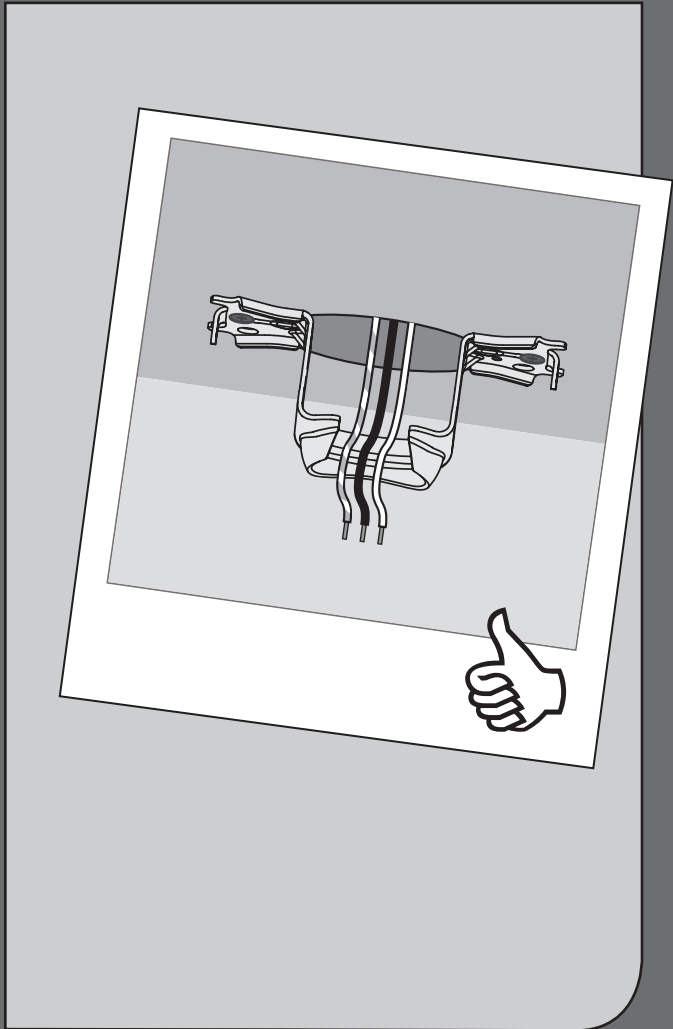
If you are unable to do this, call Technical Support at 1-888-227-2178.

To avoid possible electrical shock, before installing your fan, disconnect the power by turning off the circuit breakers to the outlet box associated with the wall switch location.

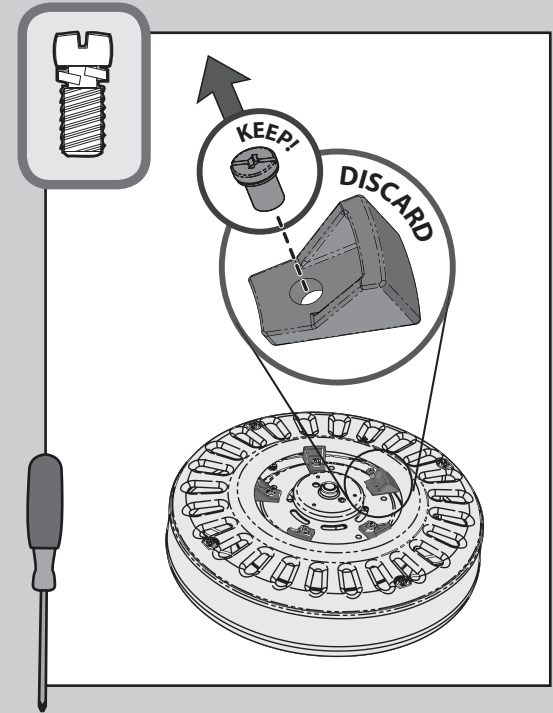


Refer to warning w.1 on pg. 2





**Time Saver Tip:** Get a helper to insert grommets, found in the ■ hardware bag, into the blades while you're doing the next couple of steps.

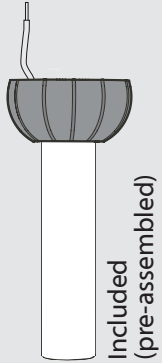


⊗ Remove the shipping blocks from the motor. **Save the screws. They will be needed for blade iron installation.**

**Note:** Some fans will have a shipping ring instead of shipping blocks. Please remove the ring and save the screws.

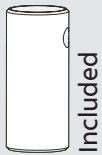
Option 1

**Standard Downrod**  
for ceilings 8-10' high



Option 2

**Shorter Downrod**  
for fans installed close to ceiling



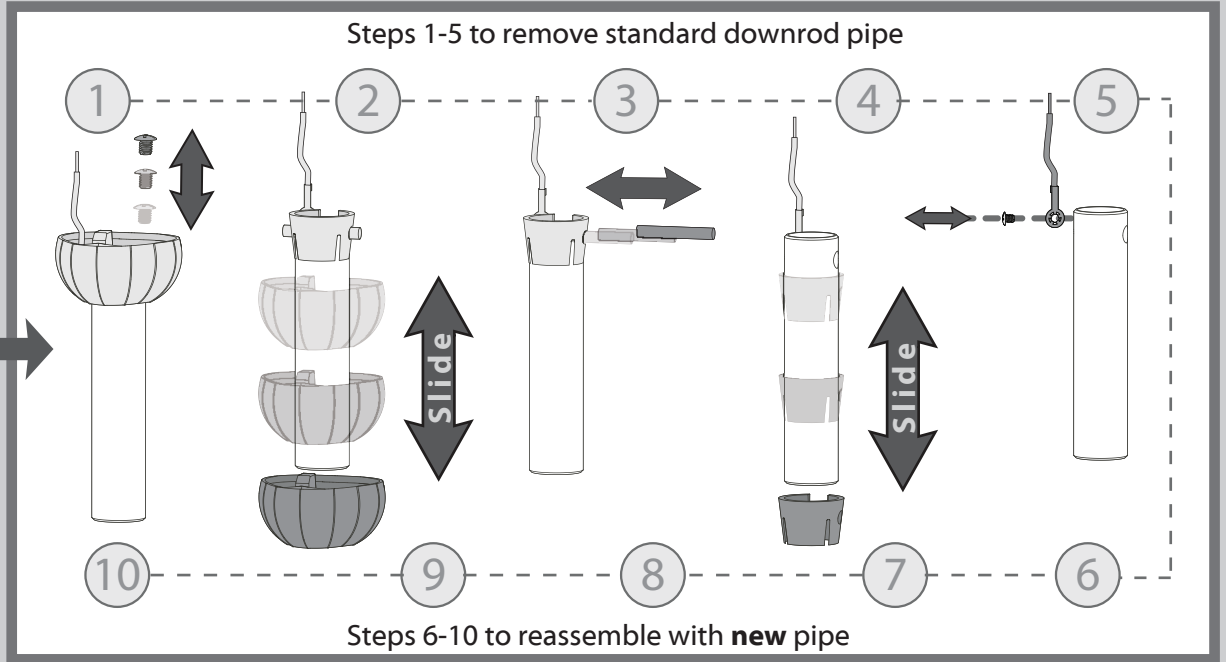
Option 3

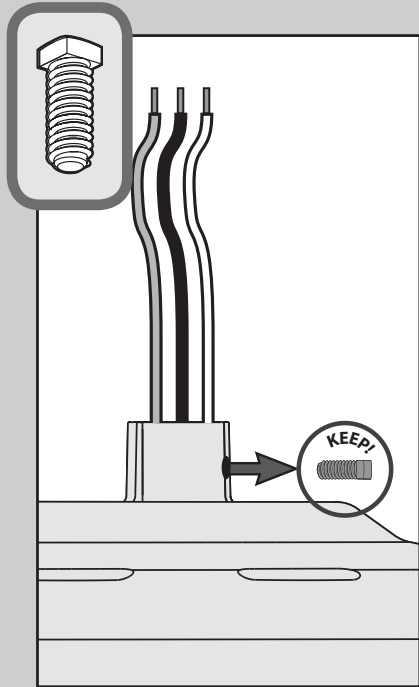
**Longer Downrod**  
for angled ceilings or ceilings 10' or higher



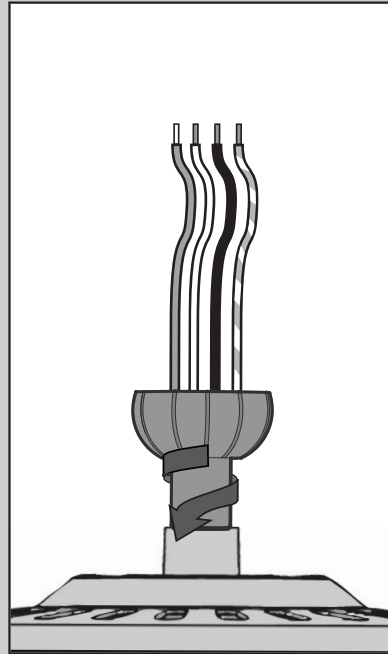
skip to next page

If you need a different downrod length follow these steps:

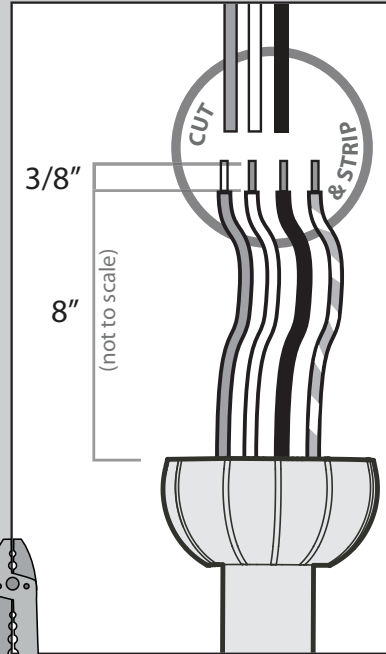




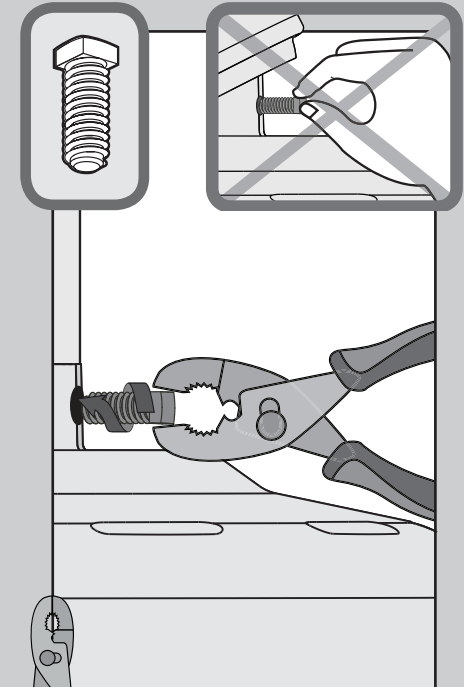
Remove the pre-installed setscrew so that the downrod can be inserted.



Hand tighten the downrod (at least 4-5 full turns) until it stops.



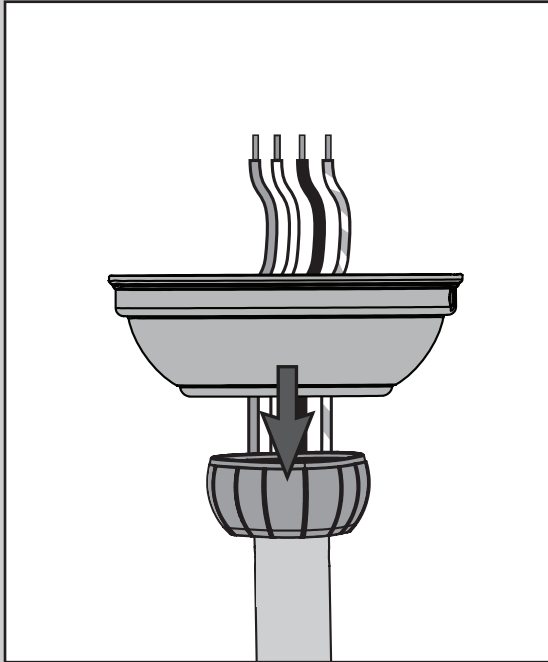
The wires can be cut, but leave at least 8" extending from the top of the downrod.



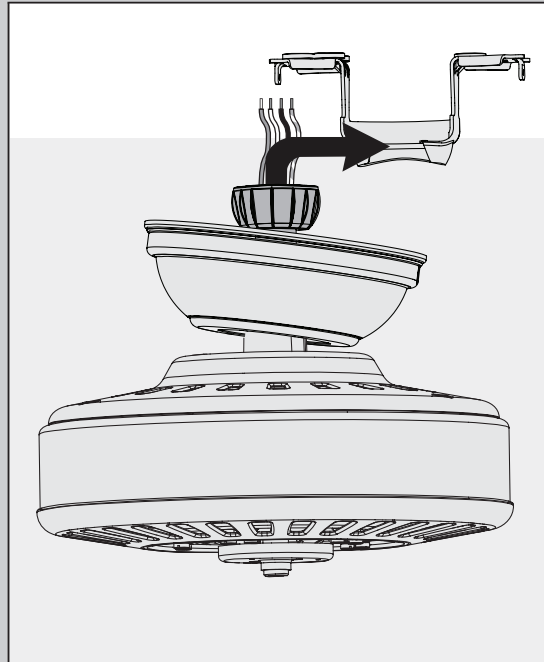
Tighten the setscrew with pliers. **DO NOT HAND TIGHTEN.**



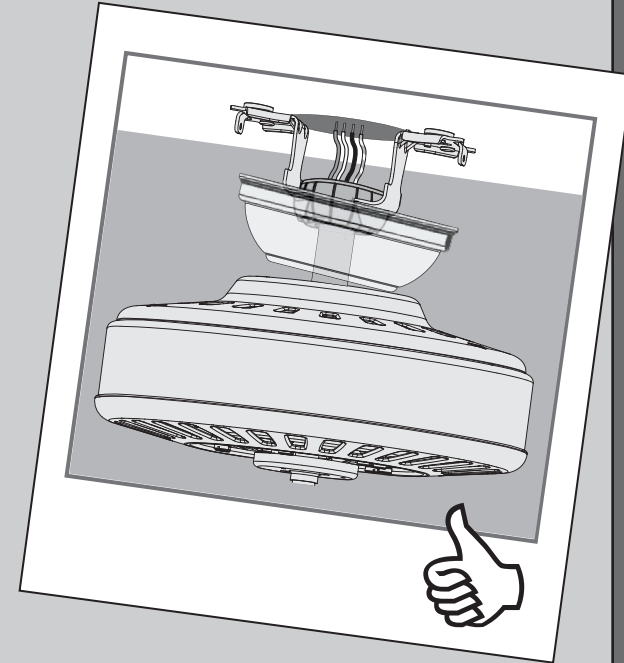
If the setscrew is not tightened securely, the fan may fall.



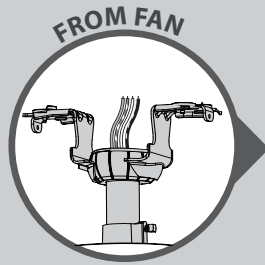
Put the wires and downrod through the canopy.  
Let the canopy sit loosely on top of the fan.



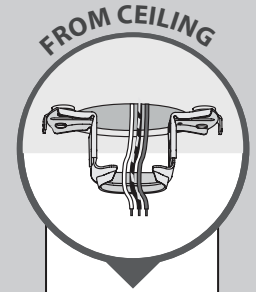
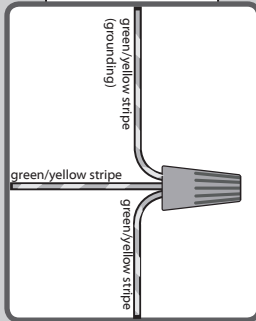
**DO NOT PICK THE FAN UP BY THE CANOPY OR WIRES.** Place the downrod ball into the slot in the ceiling bracket.



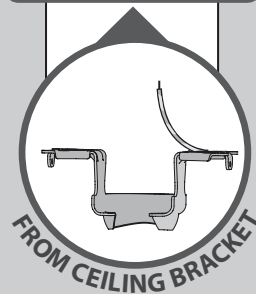
**Note:** To connect the wires, hold the bare metal leads together and place a wire connector over them, then twist clockwise until tight.



FROM FAN

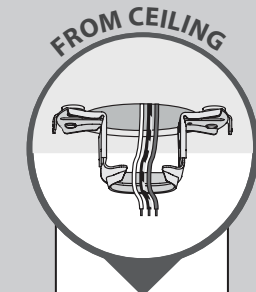


FROM CEILING

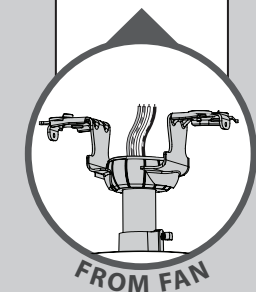
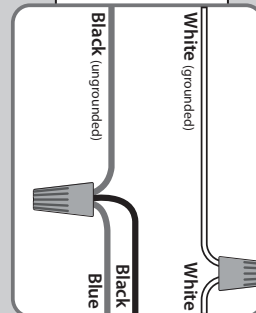


FROM CEILING BRACKET

Using an orange wire connector from the ★ hardware bag, connect the three grounding wires (green, green/yellow stripe, or bare copper) coming from the ceiling, downrod, and hanging bracket.



FROM CEILING



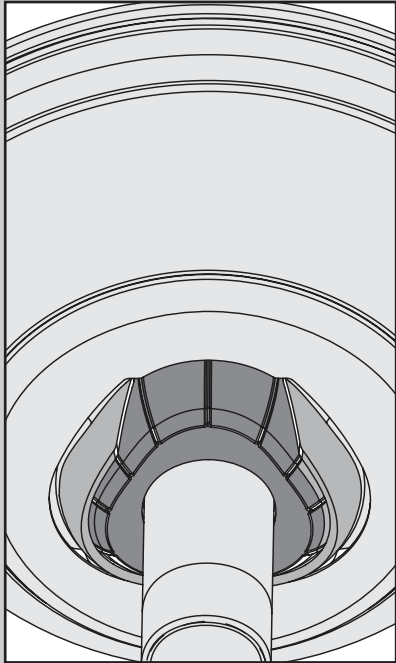
FROM FAN

Using orange wire connectors from the ★ hardware bag, connect the black wire (ungrounded) from the ceiling to the black and the blue wires from the fan. Connect the white wire (grounded) from the ceiling to the white wire from the fan.

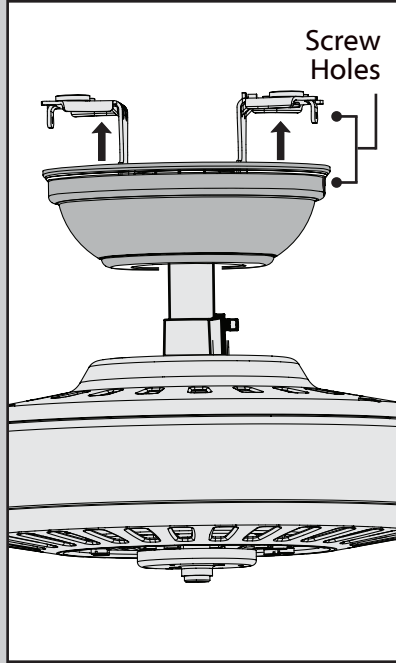
Turn the splices upward and push them carefully back through the hanger bracket into the outlet box. Spread the wires apart, with the grounded wires on one side of the outlet box and the ungrounded wires on the other side of the outlet box.

Refer to CAUTION c.1 on pg. 2

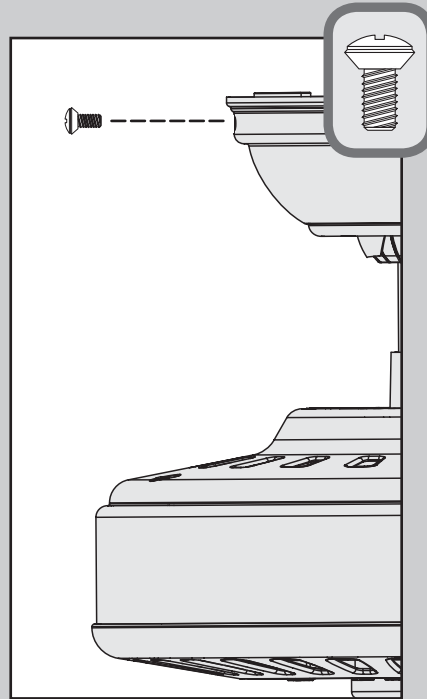




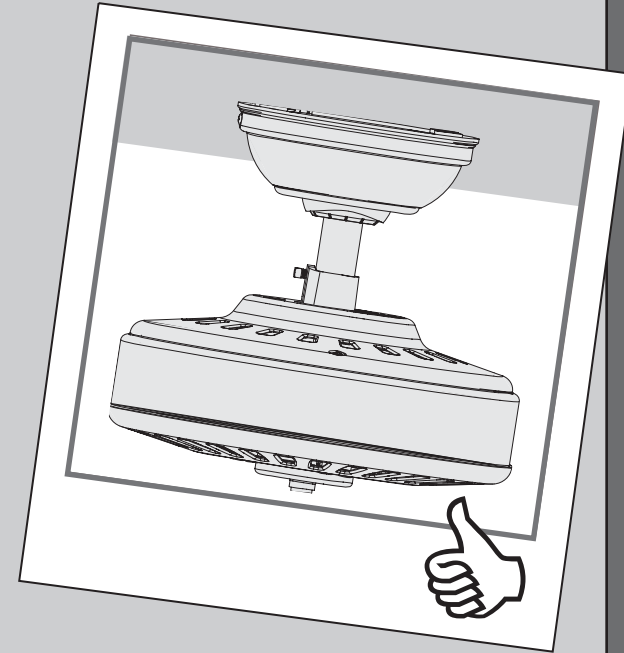
Position the canopy so that, when lifted into place, the canopy fits into the hanging bracket as shown.



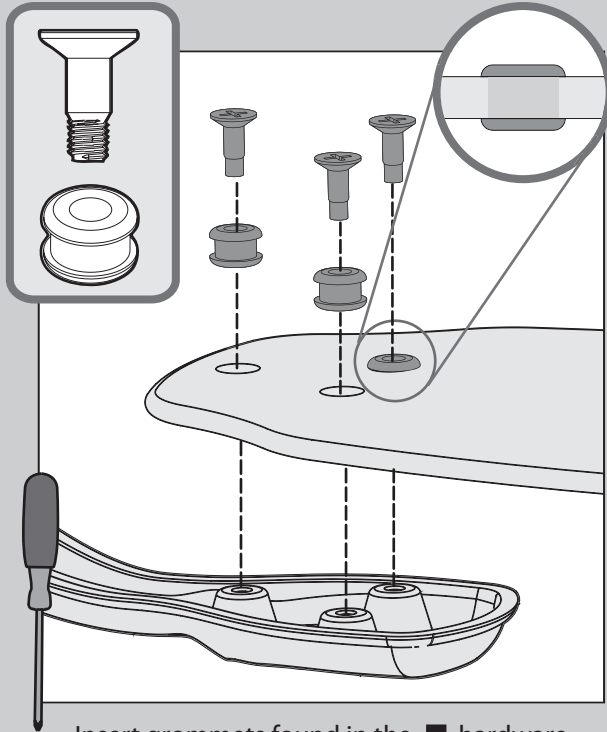
Lift the canopy into place so that the screw holes are aligned.



Insert the two canopy screws found in the ● hardware bag.

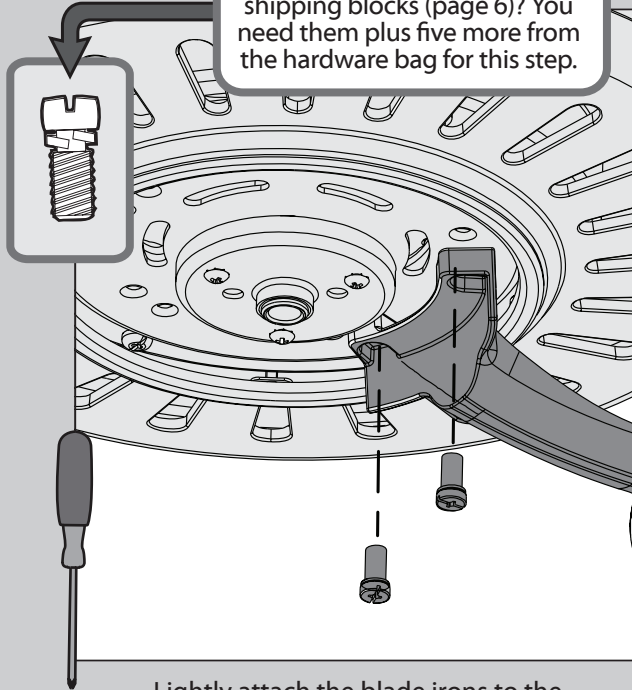


**Note:** Fan style may vary.

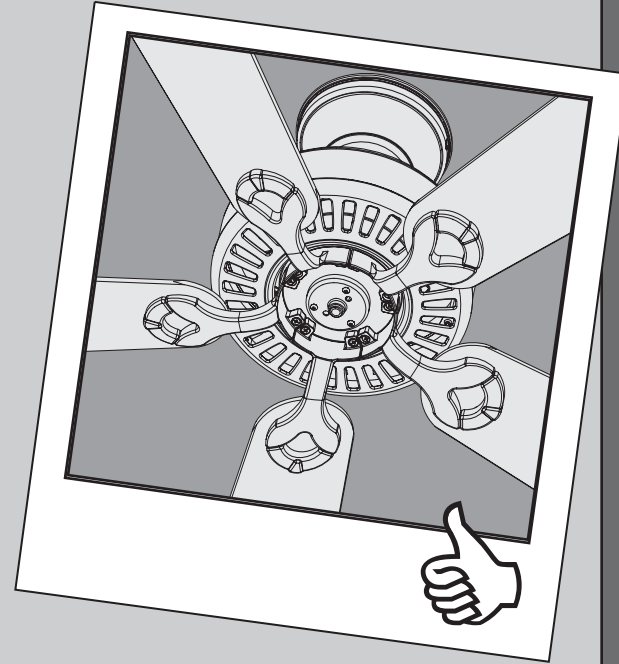


⊗ Insert grommets found in the ■ hardware bag into the holes in the blades, then secure each blade to a blade iron with screws found in the ▲ hardware bag.

Remember the screws that you kept after removing the shipping blocks (page 6)? You need them plus five more from the hardware bag for this step.

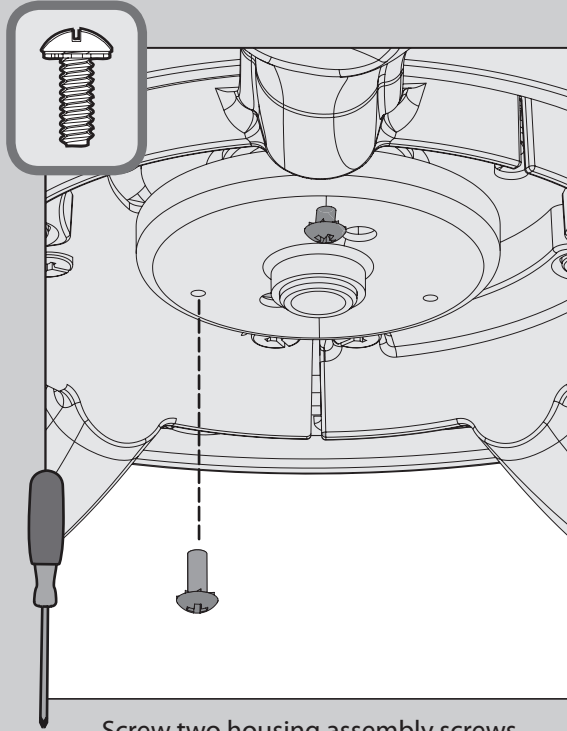


⊗ Lightly attach the blade irons to the motor with screws found in the ⊗ hardware bag, then securely tighten after both screws are attached.

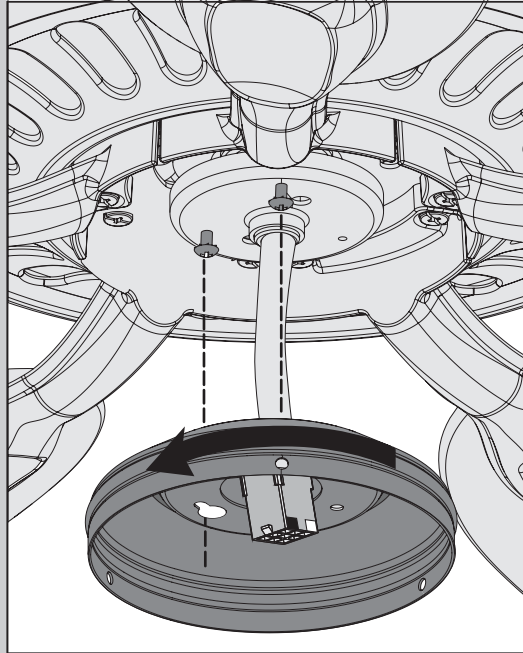


**DUST ARMOR** Your blades are shielded with Dust Armor® which is a nanotechnology coating that repels dust. For cleaning the fan, use soft brushes or cloths to prevent scratching. Cleaning agents may damage the finishes.

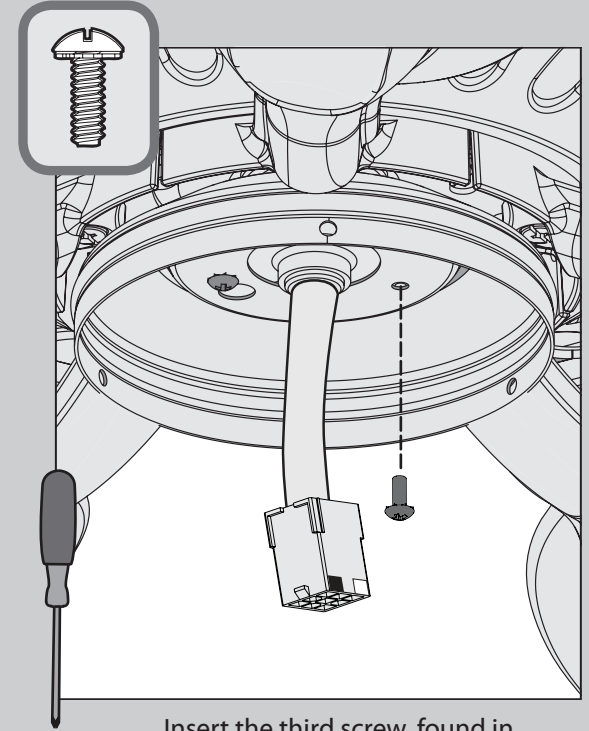




⊗ Screw two housing assembly screws from the ≡ hardware bag halfway into the motor housing. It does not matter which two screw holes you choose.



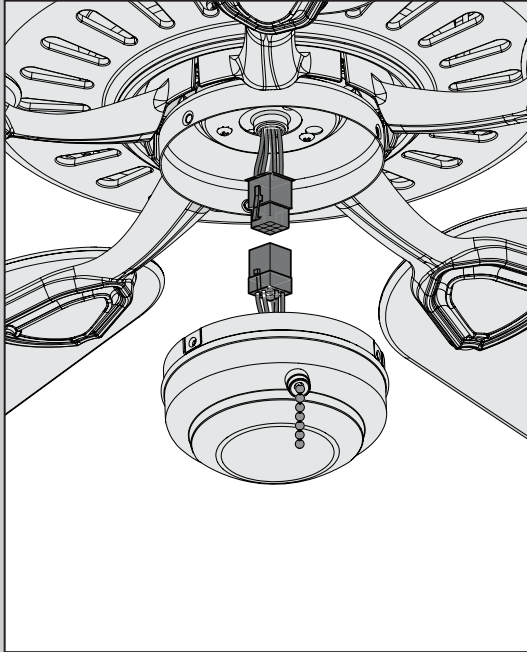
Feed the wire plug through the center hole of the upper switch housing, then wrap keyhole slots around the screws and twist counterclockwise.



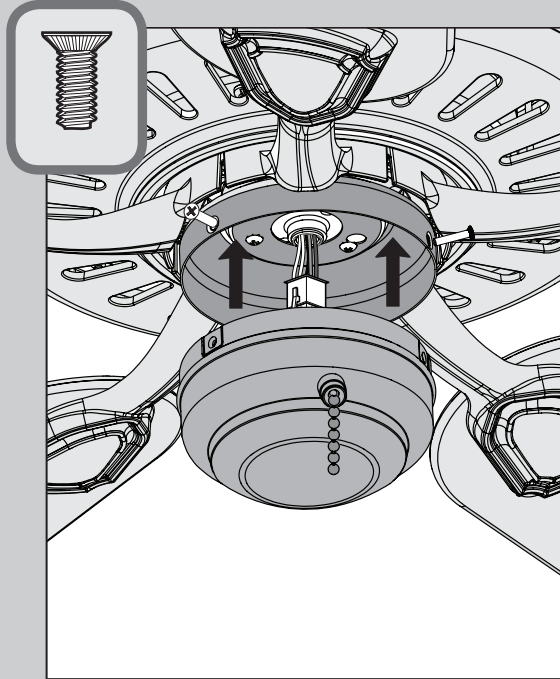
⊗ Insert the third screw, found in the ≡ hardware bag, into place and then tighten all three screws.

Make sure the upper switch housing is securely attached to the mounting plate. Failure to properly secure all 3 assembly screws could result in the switch housing fixture falling.

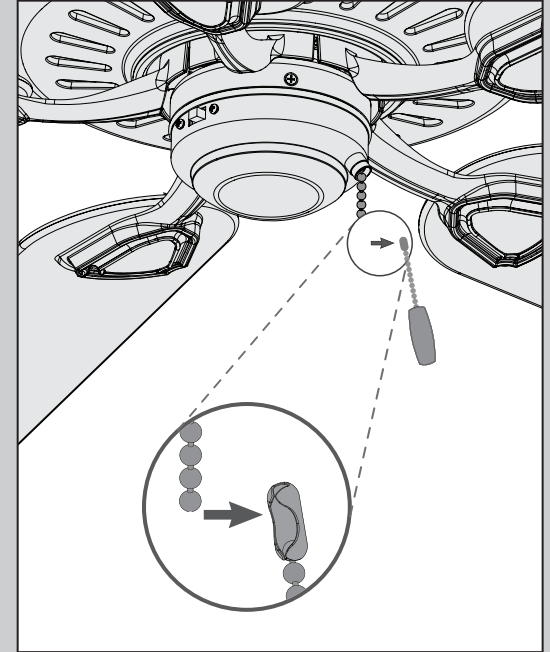




Connect the plugs from the upper and lower switch housings. Make sure to line up the colored markings on the connectors.



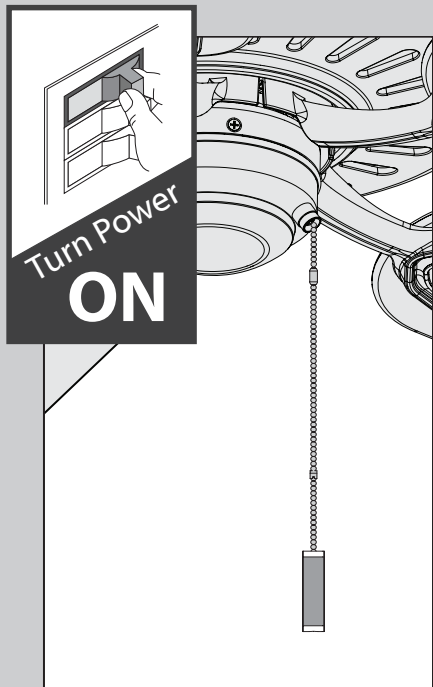
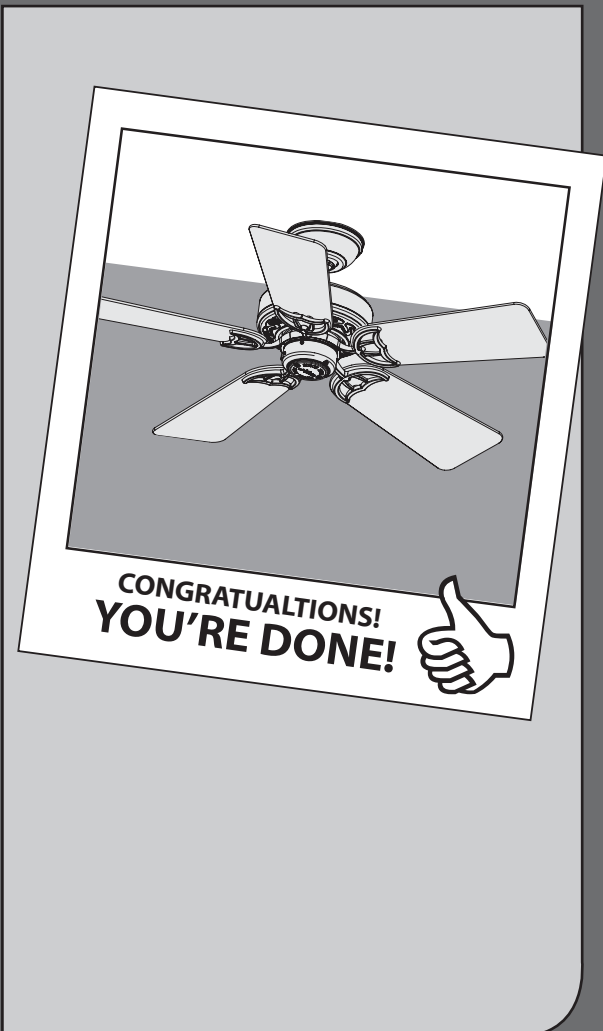
Lift the lower switch housing up until the holes line up with the screw holes in the upper switch housing. Install the three switch housing screws, found in the ☰ hardware bag.



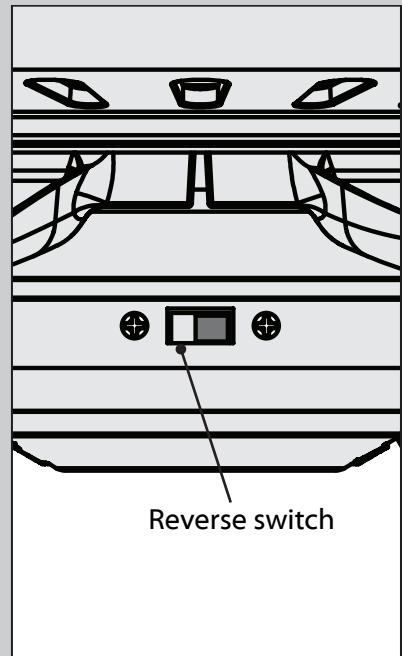
Attach the pull chain pendant to the short chain coming from the switch housing.

Make sure the lower switch housing is securely attached to the upper switch housing. Failure to properly secure all 3 assembly screws could result in the switch housing fixture falling.

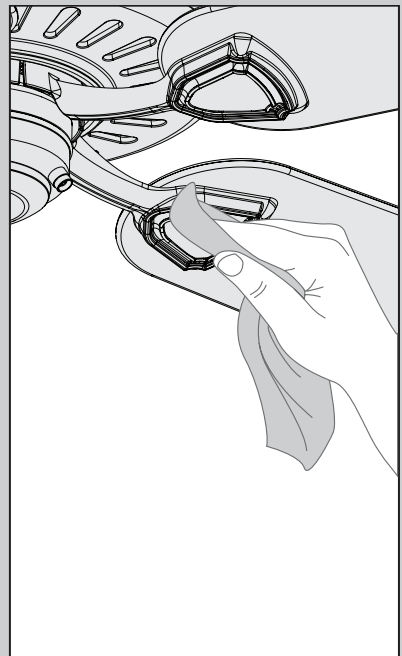




The pull chain controls the fan: from high to off.



To switch the direction of air flow, move the reverse switch to the opposite position.  
**In warm weather**, use downward air flow pattern.  
**In cold weather**, use upward air flow pattern.



For cleaning the fan, use soft brushes or cloths to prevent scratching. Cleaning products may damage the finishes.

## Fan doesn't work

- Make sure power switch is on.
- Pull the pull chain to make sure it is on.
- Push the motor reversing switch firmly left or right to ensure that it is engaged.
- Check the circuit breaker to ensure the power is turned on.
- Make sure the blades spin freely.
- Turn off power from the circuit breaker, then loosen the canopy and check all the connections according to the wiring diagram on page 10.
- Check the plug connection in the switch housing.

## Excessive wobbling

- Tighten all of the blade and blade iron screws until they are snug.
- Use the provided balancing kit and instructions to balance the fan.

## Noisy Operation

- Tighten the blade and blade iron screws until they are snug.
- Check to see if any of the blades are cracked. If so, replace all of the blades.

## AUTHORIZED SERVICE CENTERS

For the most updated listing of Casablanca Authorized Service Centers, visit [www.CasablancaFanCo.com](http://www.CasablancaFanCo.com) or call toll free 1-888-227-2178.



Hunter fans have the power to cut your cooling costs up to 40%.

### Beat the High Cost of Cooling

The air movement created by a Hunter ceiling fan lets you set your thermostat higher and still stay comfortable. Every degree you raise the thermostat saves up to 7% on energy costs. So, you can cut back on expensive air conditioning ... and save up to 40%\* on cooling. In winter, your Hunter fan recirculates warm air and saves up to 10%\* on heating bills.

\* On average at low speed settings. Your savings may vary based on climate, building type and thermostat setting.

### Save Energy and Money While Protecting the Environment

Congratulations! You're saving energy and money while protecting the environment by purchasing this ENERGY STAR qualified Hunter ceiling fan! With this purchase, you are doing your part to protect the environment. In 2010, ENERGY STAR qualified ceiling fans are projected to cut air pollution by more than 500 million pounds!

Your new ceiling fan has earned the ENERGY STAR label because it meets high energy efficiency specifications set by the Environmental Protection Agency (EPA). ENERGY STAR labeled ceiling fans save energy because they have more efficient fan motors and air delivery due to more aerodynamic blade configurations. Ceiling fan models bearing the ENERGY STAR label move air 14 - 20% more efficiently than typical ceiling fan models. For more information on ENERGY STAR visit [www.energystar.gov](http://www.energystar.gov).