

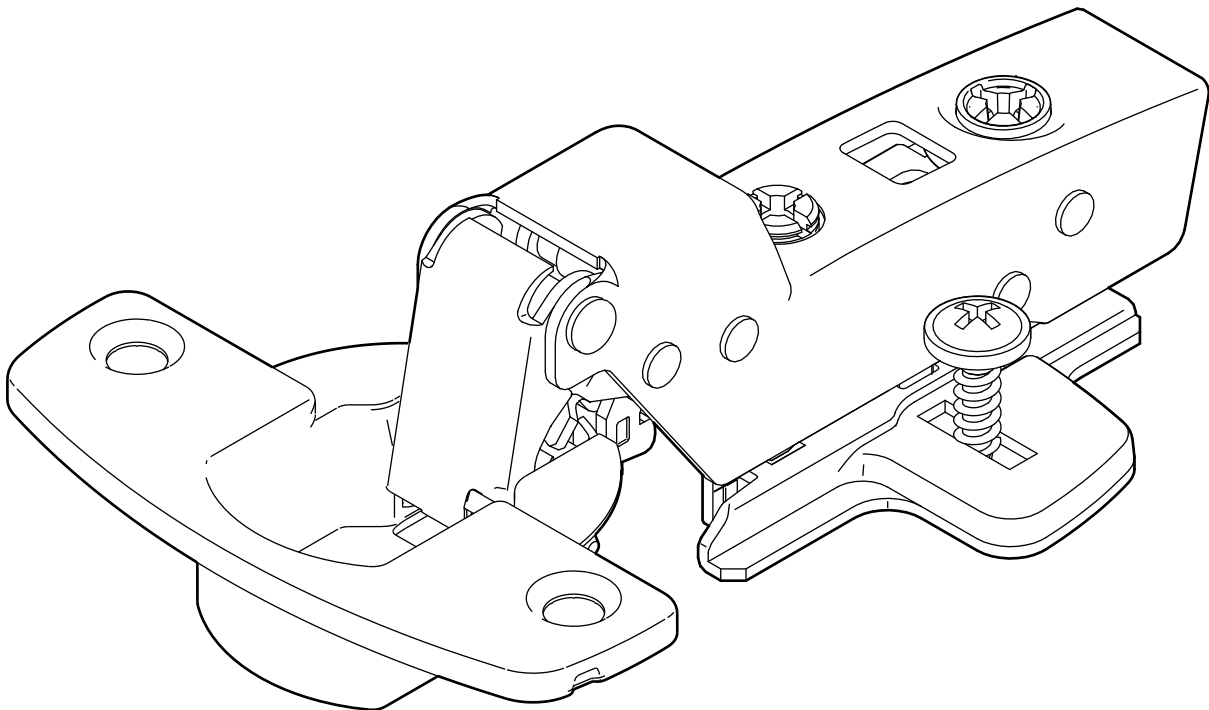
EVERBILT

TM

Item # 1002 782 624
Model # 9235951

USE AND CARE GUIDE

EUROPEAN SOFT CLOSE HINGE FOR FURNITURE – INSET DOOR MOUNTING



Questions, problems, missing parts? Before returning to the store,
call Everbilt Customer Service
8 a.m. - 7 p.m., EST, Monday - Friday, 9 a.m. - 6 p.m., EST, Saturday

1-800-305-1726

HOMEDEPOT.COM

THANK YOU

We appreciate the trust and confidence you have placed in Everbilt through the purchase of this hinge. We strive to continually create quality products designed to enhance your home. Visit us online to see our full line of products available for your home improvement needs. Thank you for choosing Everbilt!

Table of Contents

Table of Contents	2	Pre-Installation	3
Safety Information	2	Planning Installation	3
Warranty	2	Tools Required	3
		Package Contents	3
		Recommended Number of Hinges Per Door Size	3
		Installation	5

Safety Information

Please read and understand this manual before installing this product.

 **CAUTION:** Always be cautious when using power tools.

Warranty

Subject to the terms of this warranty, the Manufacturer warrants to the original consumer purchaser that the product will be free from defects in material and workmanship. If the product does not comply with this warranty, the Manufacturer will repair or replace the product or, at the Manufacturer's option, refund the purchase price. Repair, replacement, or refund of the original purchase price is your sole remedy under this or any other warranty on the product, whether expressed or implied.

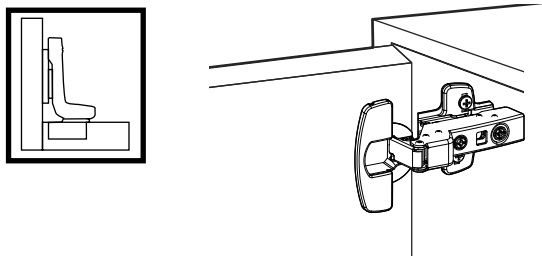
For additional details and questions, please contact Everbilt Customer Service at 1-800-305-1726.

Pre-Installation

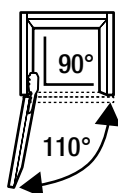
PLANNING INSTALLATION

Ensure all parts listed in the Package Contents section are included and that you have the listed Tools Required on hand. If any part is missing or damaged, contact customer service.

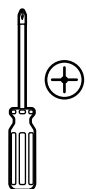
When planning your installation, ensure the hinge is oriented in its final position as shown. This hinge is intended for inset applications on frameless furniture with the doors positioned inside the front of the cabinet.



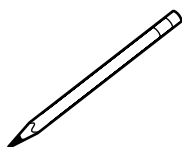
When installed successfully, these hinges can open to a maximum of 110°.



TOOLS REQUIRED



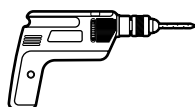
#2 Screwdriver



Pencil or Scribe



Ruler (in. and mm)



Drill



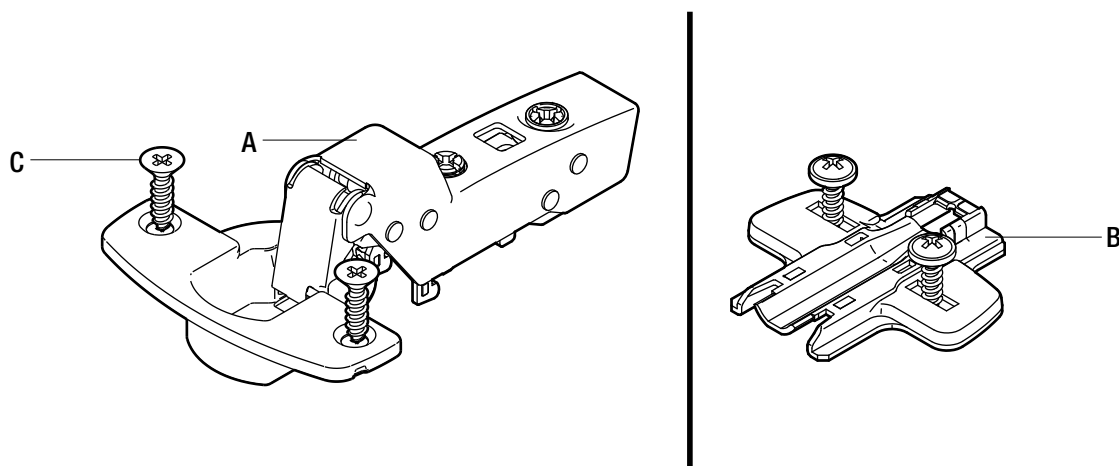
1/6 in. Drill bit



35 mm boring bit (Forstner bit)

Pre-Installation (continued)

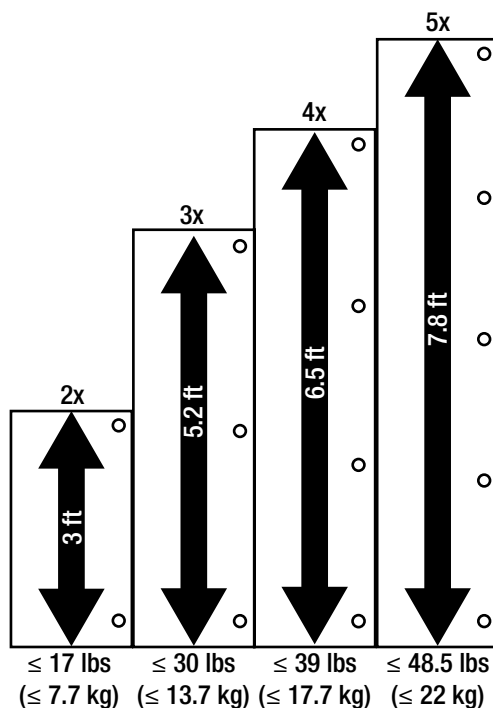
PACKAGE CONTENTS



Part	Description	Quantity
A	Hinge	2
B	Mounting Plate	2
C	#5 x 5/8 in. Screw	4

RECOMMENDED NUMBER OF HINGES PER DOOR SIZE

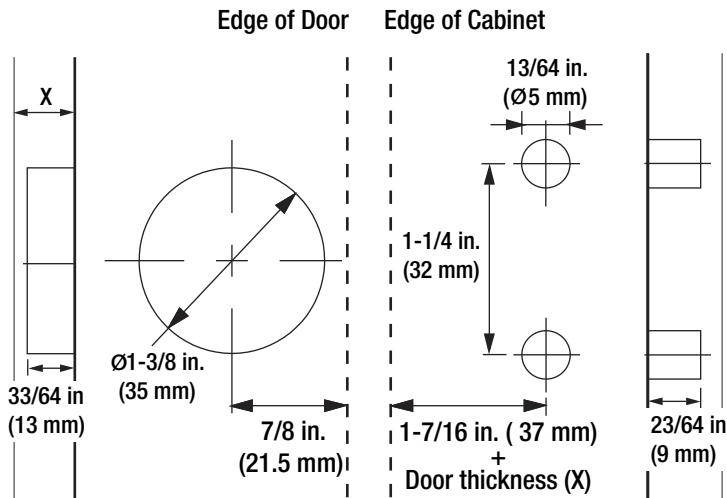
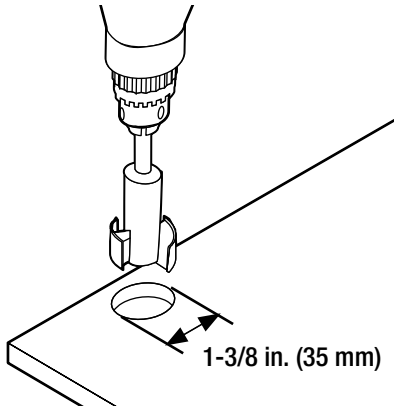
Use this diagram to determine how many hinges you will need for your door. If you are hanging a door with a mirror or a door that is wide, you will need additional hinges.



Installation

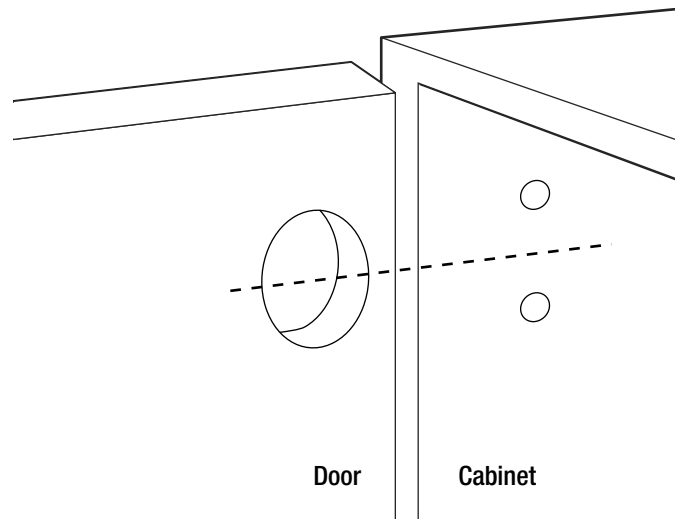
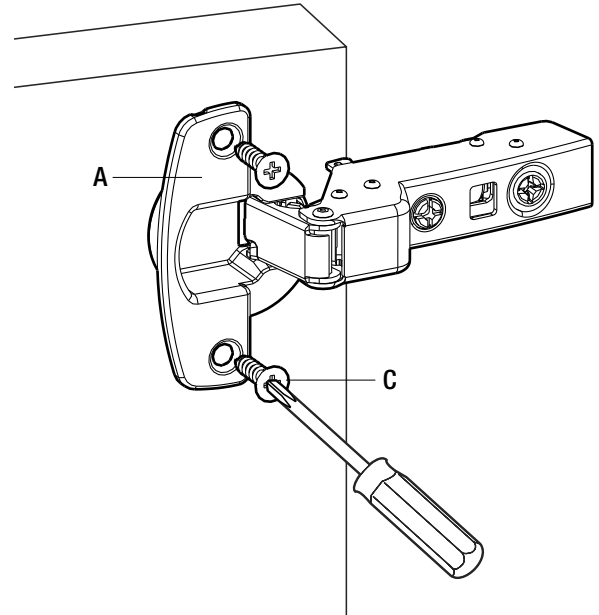
1 Pre-drilling the installation holes

- Use a pencil and tape measure to measure and mark the installation locations as this diagram shows.
- Then use a 1/16 in. drill bit to drill the cabinet holes and a 1-3/8 in. (35 mm) boring bit to drill the door hole. Ensure the door hole is no deeper than 33/64 in. (13 mm). Do not drill through either the door face or the cabinet.



2 Installing the hinges to the door

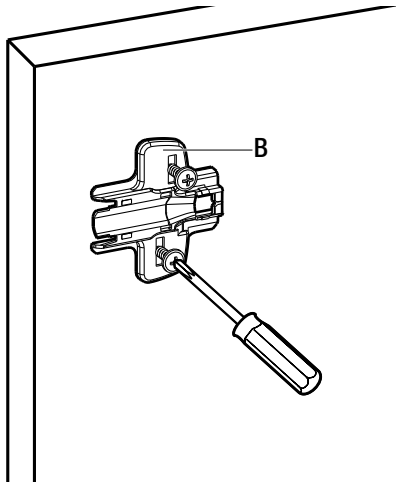
- Insert each hinge (A) into the pre-drilled holes in the door and secure using two screws (C) for each hinge (A).



Installation (continued)

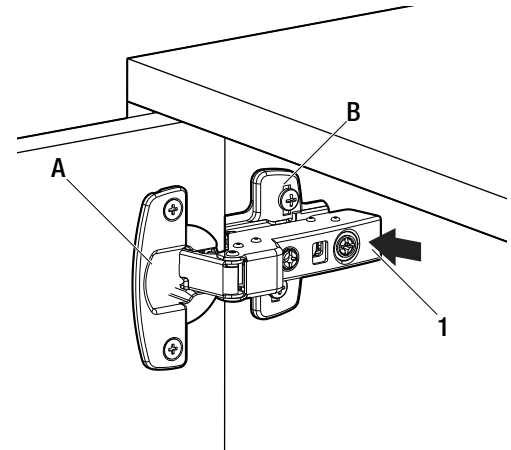
3 Installing the mounting plates to the cabinet

- Align the mounting plates (B) to the pre-drilled holes and fasten with two screws.



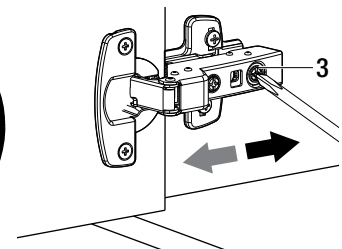
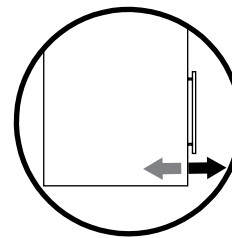
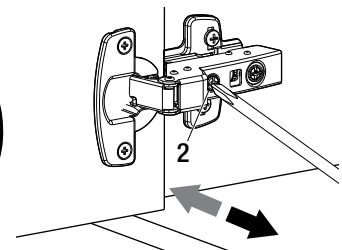
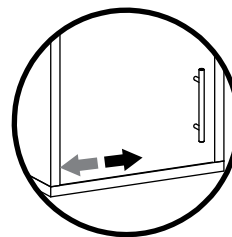
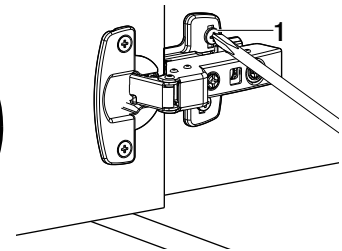
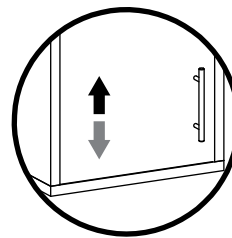
4 Installing the door to the cabinet

- Open the hinges (A) to the fully-extended position.
- Connect the hinge arm (A) to the mounting plates (B) and press the hinge arm (1) down until they snap to the plates.



5 Adjusting the door

- **Height Adjustment:** Loosen the top mounting screw (1) to adjust the door up or down.
- **Overlay Adjustment:** Turn the adjustment screw (2) to adjust the door overlay.
- **Depth Adjustment:** Turn the eccentric screw (3) to adjust the distance of the doors from the cabinet.





**Questions, problems, missing parts? Before returning to the store,
call Everbilt Customer Service
8 a.m. - 7 p.m., EST, Monday-Friday, 9 a.m. - 6 p.m., EST, Saturday**

1-800-305-1726

HOMEDEPOT.COM

Retain this manual for future use.