

ZLINE



FAUCET

---

Installation Guide  
and Users Manual

# CONTENTS

## FAUCETS

- **SAFETY INSTRUCTIONS** 1
  - Prior to Installation
  - Safety Tips
  - Care and Maintenance
  
- **SPRING KITCHEN FAUCETS** 2
  - Models: FSNZ-CH      FSTB-CH
  - FSNZ-SS      FSTB-SS
  - FSNZ-MB      FSTB-MB
  
  - Dimensions
  - Parts
  - Assembly
  
- **PULL DOWN KITCHEN FAUCETS** 5
  - Models: FPBL-CH
  - FPBL-SS
  - FPBL-MB
  
  - Dimensions
  - Models: FPTB-CH      FPTF-CH      FPNZ-CH
  - FPTB-SS      FPTF-SS      FPNZ-SS
  - FPTB-MB      FPTF-MB      FPNZ-MB
  
  - Dimensions
  - Models: FPBC-CH
  - FPBC-SS
  
  - Dimensions
  - Parts
  - Assembly

# CONTENTS

## FAUCETS

- **SMART KITCHEN FAUCET** 11
  - Model: FMTF-SS
  - Dimensions
  - Parts
  - Assembly
  
- **KITCHEN FAUCETS WITH SPRAYER** 14
  - Models: FFCS-CH      FFCC-CH
  - FFCS-OR      FFCC-OR
  - Dimensions
  - Parts
  - Assembly
  
- **TROUBLESHOOTING** 20

# SAFETY INSTRUCTIONS

## Prior to Installation

- Make sure that the cold and hot water lines are turned off.
- Wrap all threaded connections with Teflon tape. Always wrap in a clockwise direction.
- Cover your drain to avoid losing parts.
- Do not disassemble the main faucet body, as it has been installed and commissioned correctly and precisely before delivery to the factory.
- To keep the faucet from jamming, flush the water pipe before installation.

Using condition: Working pressure at 0.05-1.0 MPa (including cold and hot water pressure) with applicable water temperature: 39.2°F - 194°F.

## Care and Maintenance

To keep the product clean and shining, follow the steps below:

1. Rinse clean with water and dry with a soft cloth.
2. Do not clean with soaps, acid, polish, abrasives, or harsh cleaners.
3. Do not use cloth with a coarse surface.
4. Unscrew the aerator and clean when necessary.

If soldering the water connections when installing the faucet, remove the O-rings, cartridges, and washers before applying any heat.

Protect your eyes when cutting or soldering.

Do not over tighten screws/nuts. Finger tighten, then use a wrench/screwdriver to tighten the fixing screw/nut until snug.

# SPRING KITCHEN FAUCETS

## Spring Kitchen Faucet Models

FSNZ-CH

FSNZ-SS

FSNZ-MB

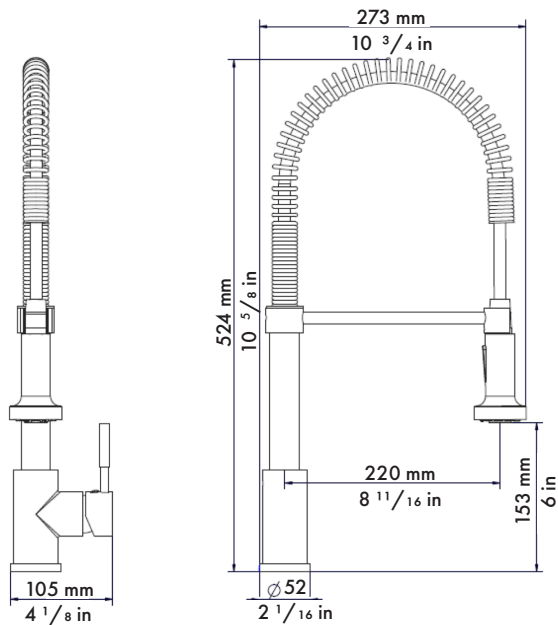
FSTB-CH

FSTB-SS

FSTB-MB



## Dimensions



# SPRING KITCHEN FAUCET

## Parts for Models:

FSNZ-CH

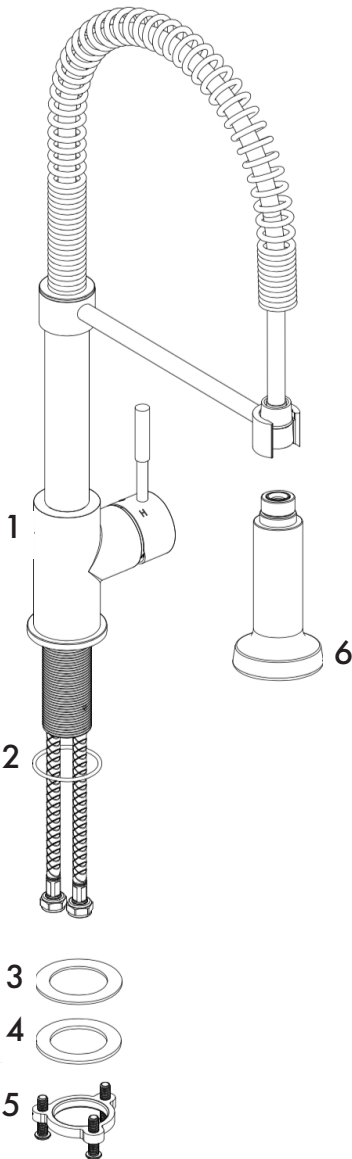
FSNZ-SS

FSNZ-MB

FSTB-CH

FSTB-SS

FSTB-MB



1. Faucet Body
2. Base O-Ring
3. Rubber Washer
4. Metal Washer
5. Fixing Nut and Screws
6. Spray Head

# SPRING KITCHEN FAUCET

## Assembly for Models:

FSNZ-CH

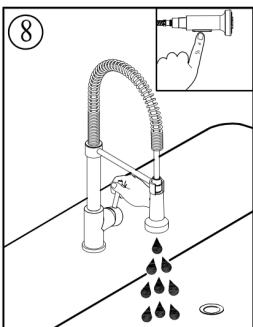
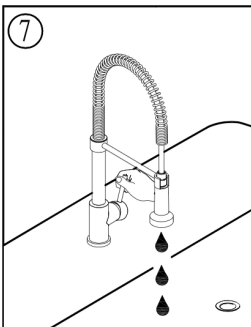
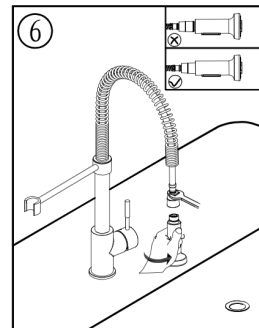
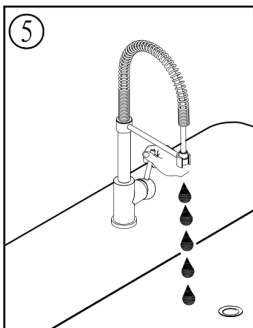
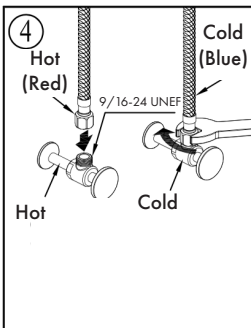
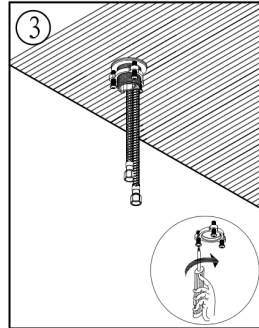
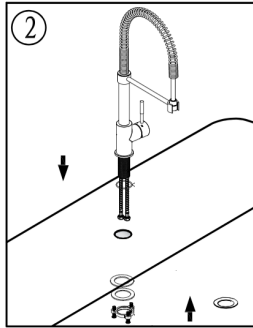
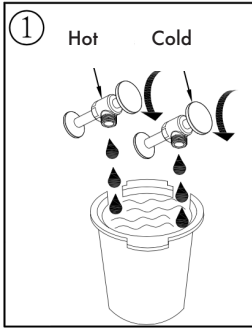
FSTB-CH

FSNZ-SS

FSTB-SS

FSNZ-MB

FSTB-MB



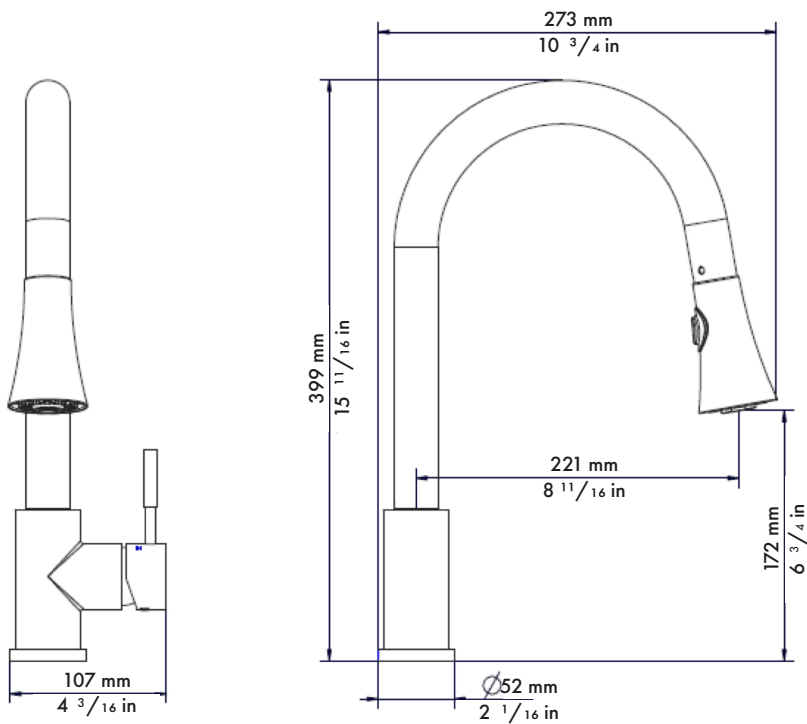
# PULL DOWN KITCHEN FAUCETS

## Pull Down Kitchen Faucet Models

FPBL-CH

FPBL-SS

FPBL-MB





# PULL DOWN KITCHEN FAUCETS

## Pull Down Kitchen Faucet Models

FPTB-CH

FPTF-CH

FPNZ-CH

FPTB-SS

FPTF-SS

FPNZ-SS

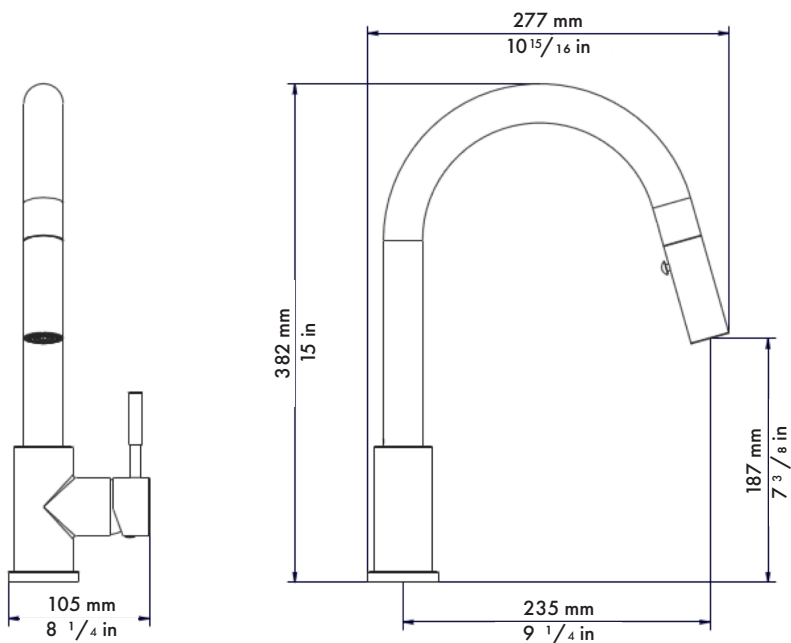
FPTB-MB

FPTF-MB

FPNZ-MB



## Dimensions



# PULL DOWN KITCHEN FAUCETS

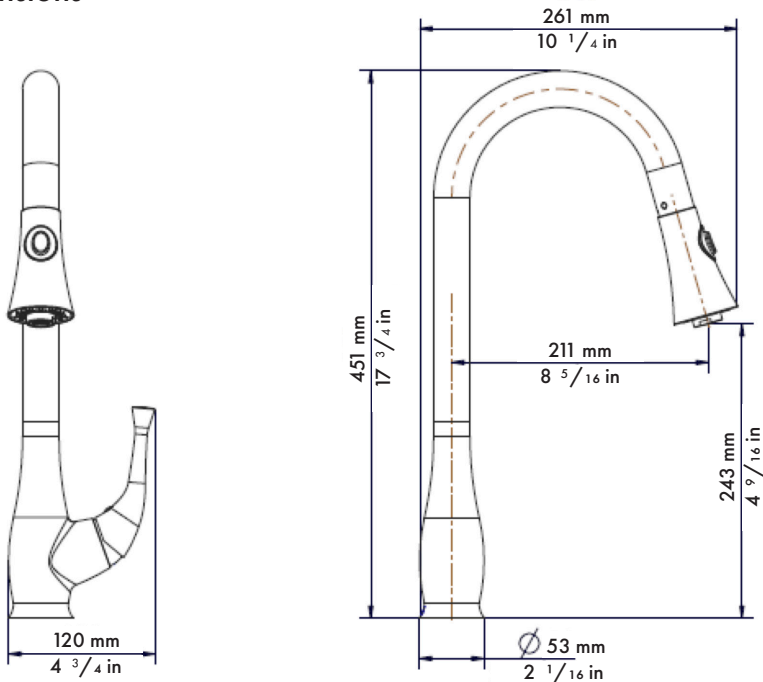
## Pull Down Kitchen Faucet Models

FPBC-CH

FPBC-SS



## Dimensions



# PULL DOWN KITCHEN FAUCETS

## Parts for Models:

FPBL-CH

FPTB-CH

FPTF-CH

FPNZ-CH

FPBC-CH

FPBL-SS

FPTB-SS

FPTF-SS

FPNZ-SS

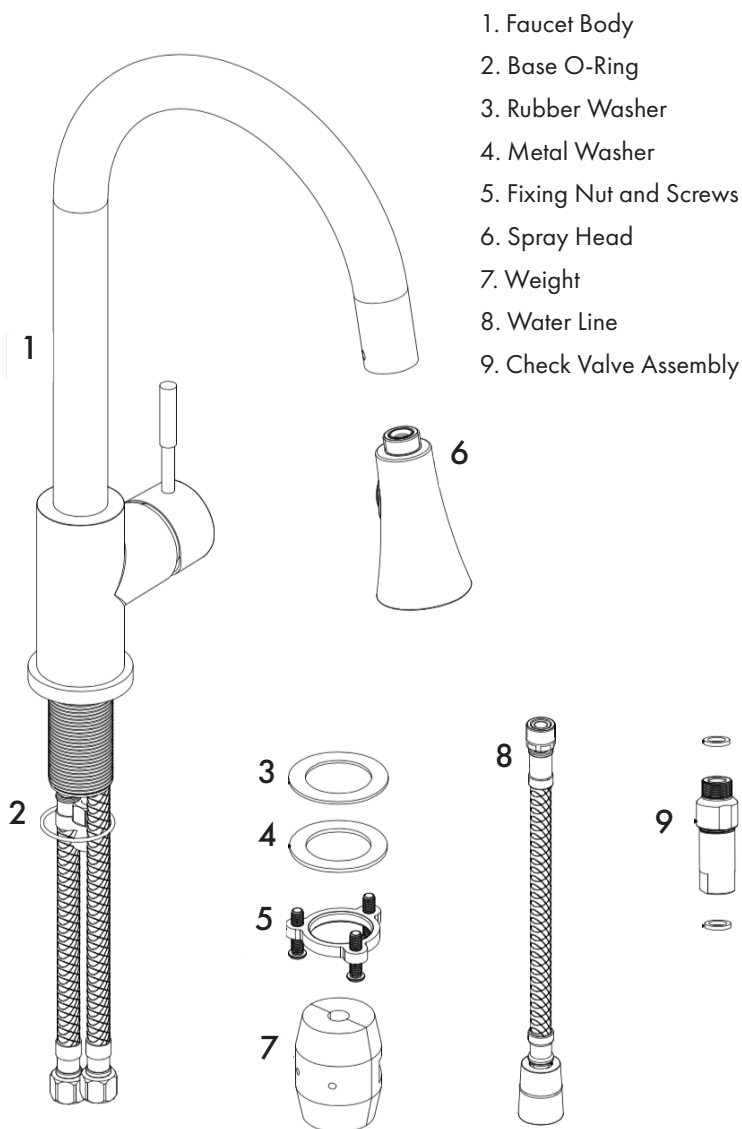
FPBC-SS

FPBL-MB

FPTB-MB

FPTF-MB

FPNZ-MB



1. Faucet Body
2. Base O-Ring
3. Rubber Washer
4. Metal Washer
5. Fixing Nut and Screws
6. Spray Head
7. Weight
8. Water Line
9. Check Valve Assembly

# PULL DOWN KITCHEN FAUCETS

## Assembly for Models:

FPBL-CH

FPTB-CH

FPTF-CH

FPNZ-CH

FPBC-CH

FPBL-SS

FPTB-SS

FPTF-SS

FPNZ-SS

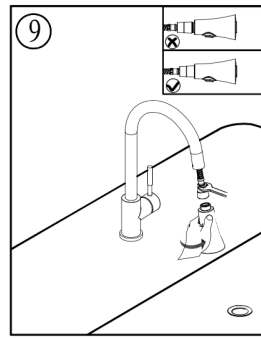
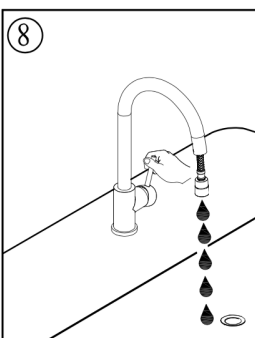
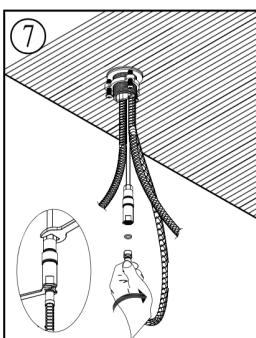
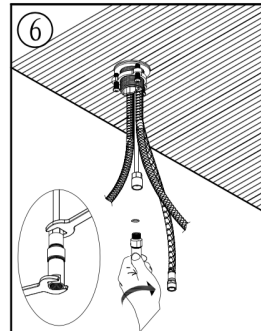
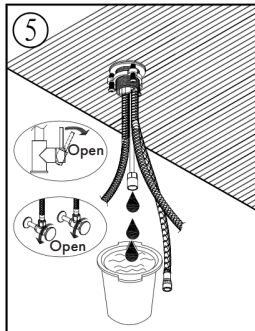
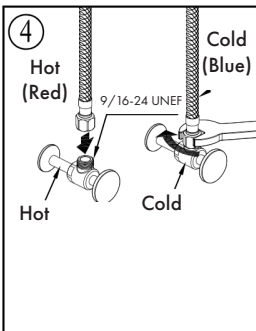
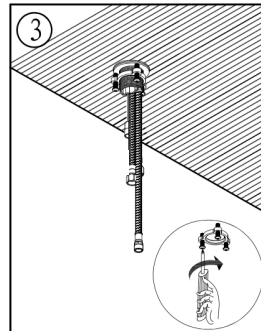
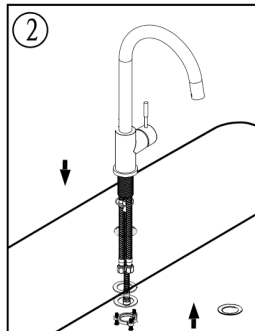
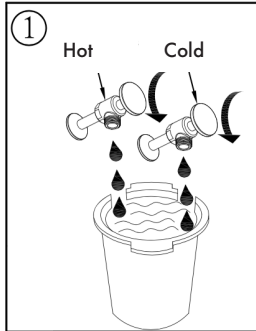
FPBC-SS

FPBL-MB

FPTB-MB

FPTF-MB

FPNZ-MB



Assembly continued on next page.

# PULL DOWN KITCHEN FAUCETS

## Assembly Continued for Models:

FPBL-CH

FPTB-CH

FPTF-CH

FPNZ-CH

FPBC-CH

FPBL-SS

FPTB-SS

FPTF-SS

FPNZ-SS

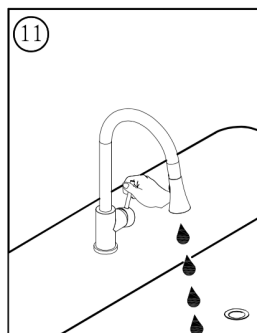
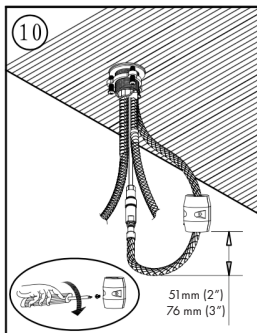
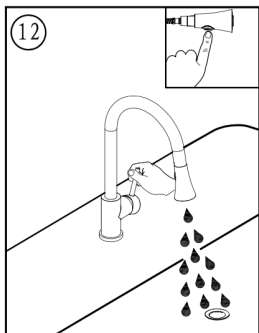
FPBC-SS

FPBL-MB

FPTB-MB

FPTF-MB

FPNZ-MB



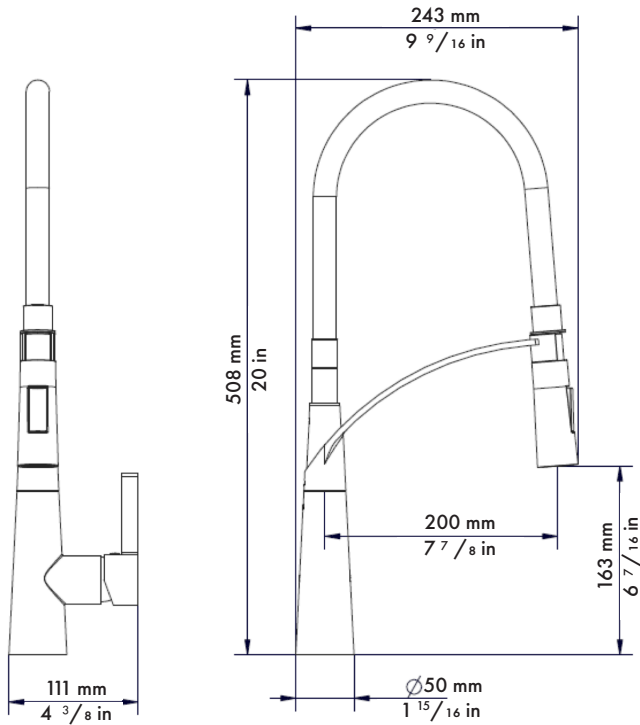
# SMART KITCHEN FAUCET

## Smart Kitchen Faucet Model

FMTF-SS



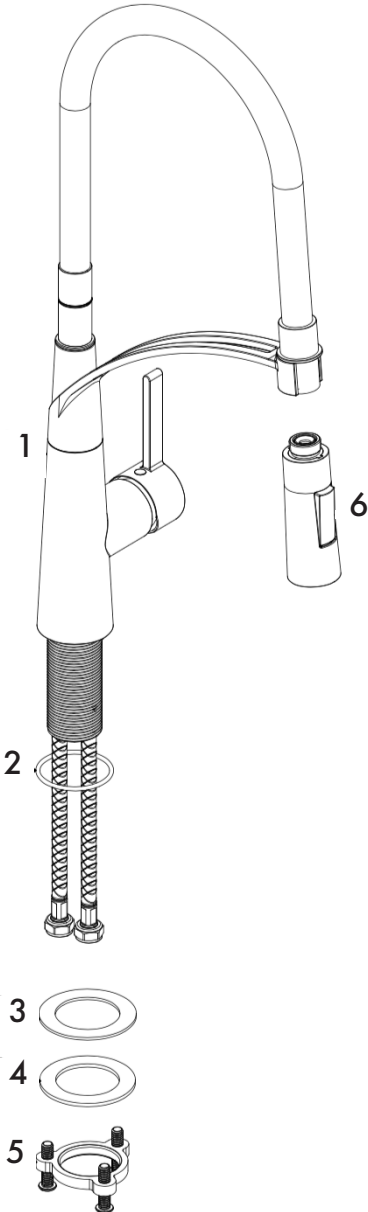
## Dimensions



# SMART KITCHEN FAUCET

## Parts for Model:

FMTF-SS

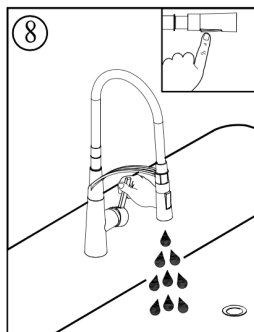
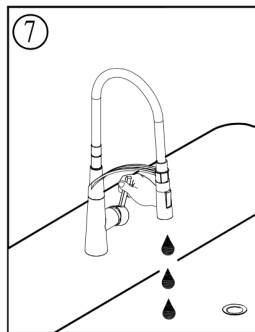
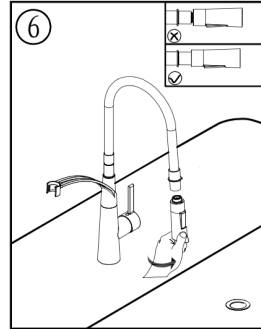
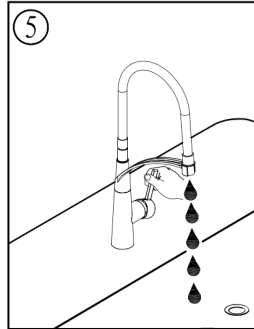
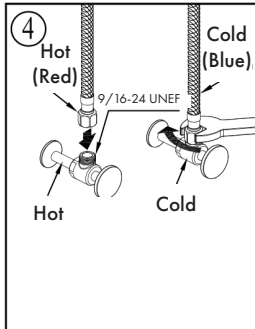
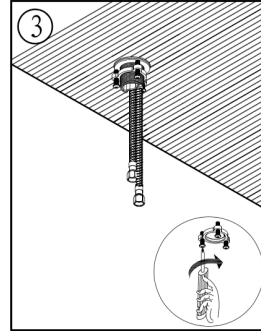
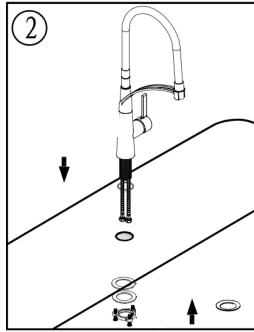
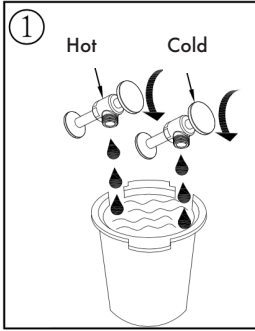


1. Faucet Body
2. Base O-Ring
3. Rubber Washer
4. Metal Washer
5. Fixing Nut and Screws
6. Spray Head

# SMART KITCHEN FAUCETS

## Assembly for Model:

FMTF-SS





## KITCHEN FAUCETS WITH SPRAYERS

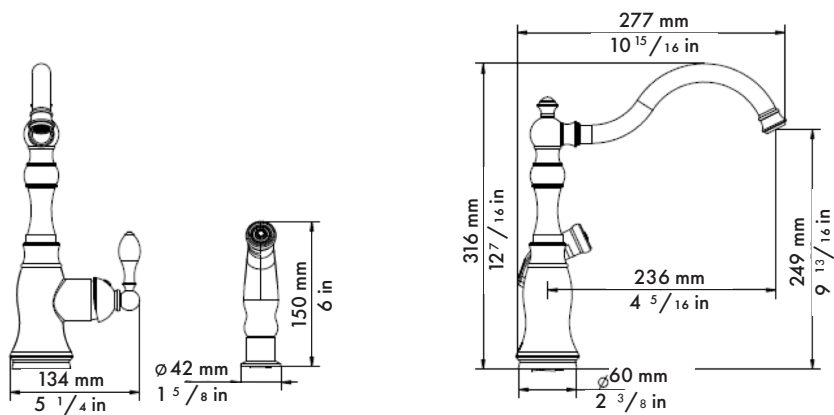
### Kitchen Faucet with Sprayer Models:

FFCS-CH

FFCS-OR



### Dimensions

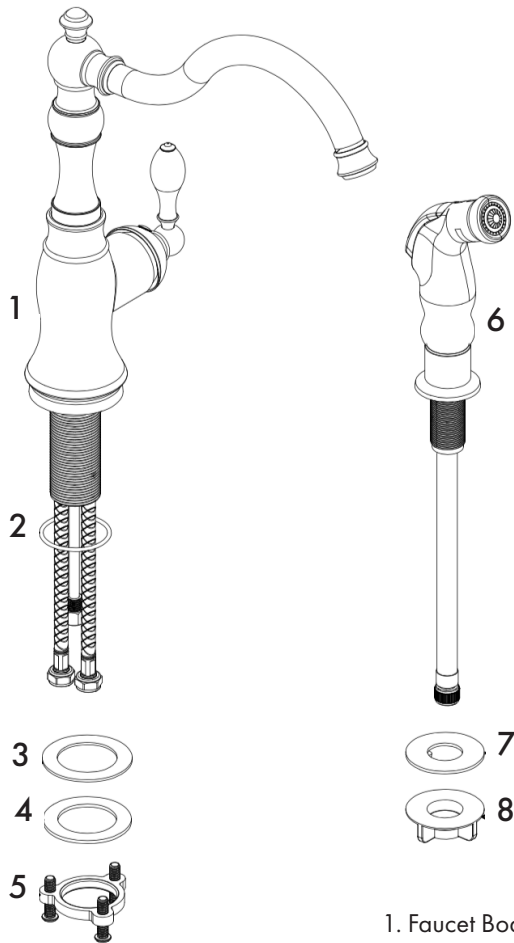


# KITCHEN FAUCETS WITH SPRAYERS

## Parts for Models:

FFCS-CH

FFCS-OR



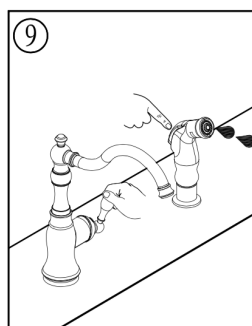
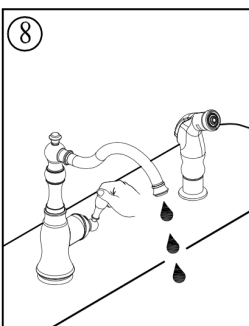
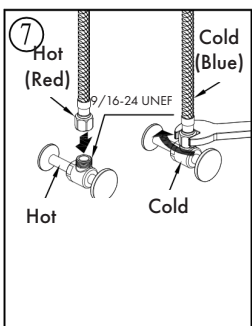
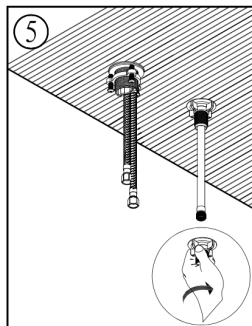
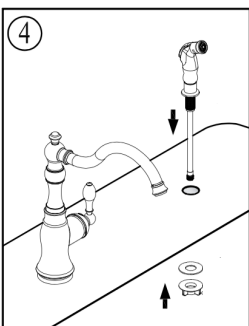
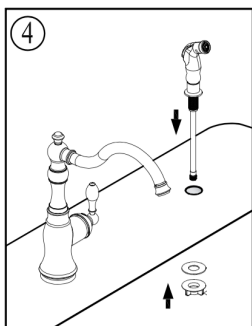
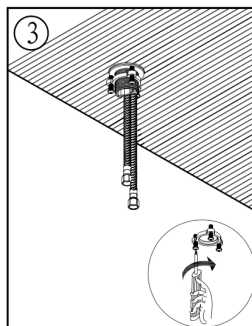
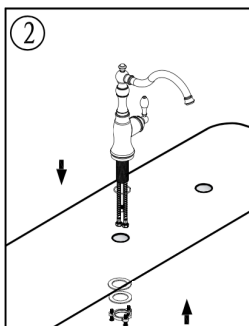
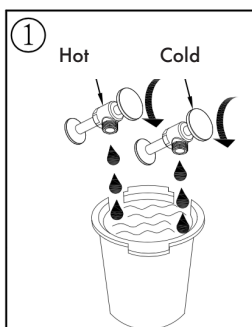
1. Faucet Body
2. Base O-Ring
3. Rubber Washer
4. Metal Washer
5. Fixing Nut and Screws
6. Spray Head
7. Washer
8. Nut

# KITCHEN FAUCETS WITH SPRAYERS

## Assembly for Models:

FFCS-CH

FFCS-OR



# KITCHEN FAUCETS WITH SPRAYERS

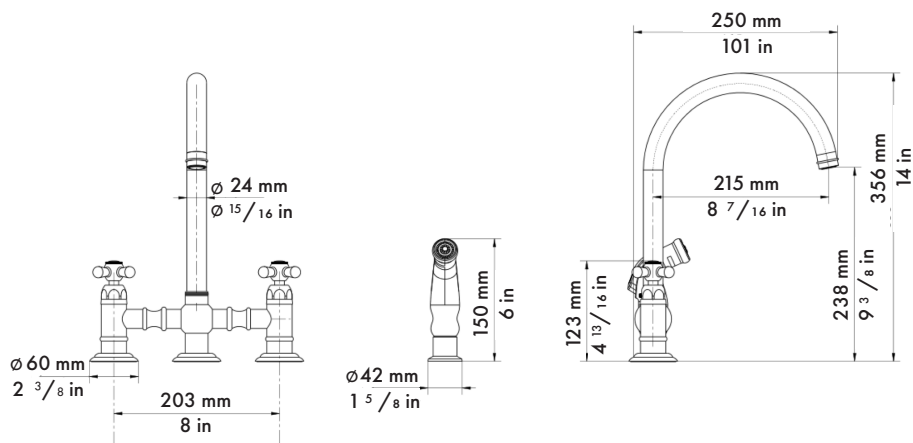
## Kitchen Faucet with Sprayer Models:

FFCC-CH

FFCC-OR



## Dimensions

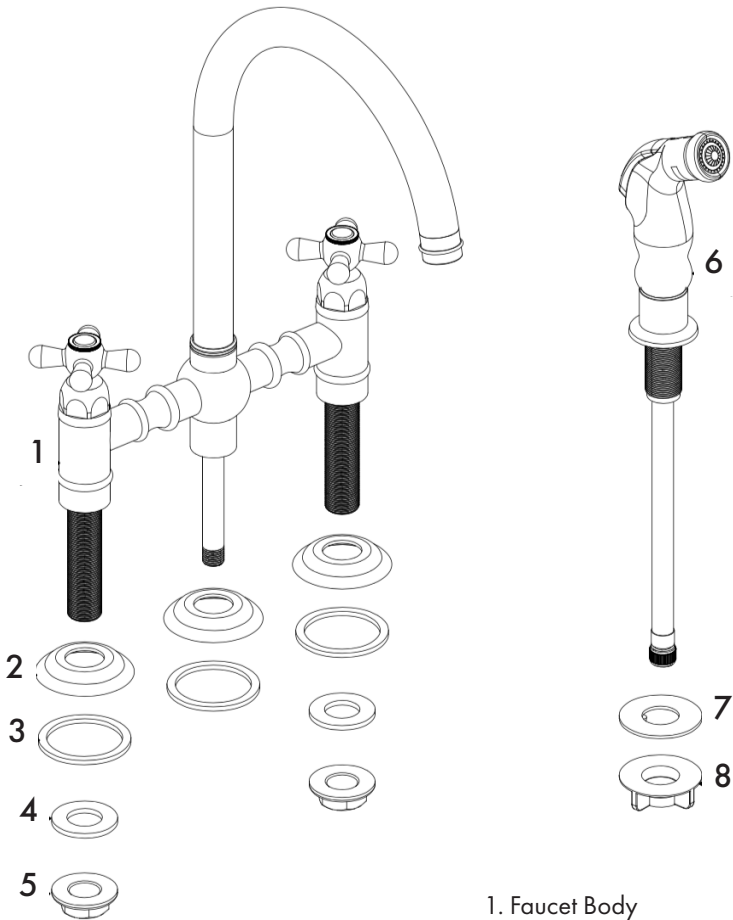


# KITCHEN FAUCETS WITH SPRAYERS

## Parts for Models:

FFCC-CH

FFCC-OR



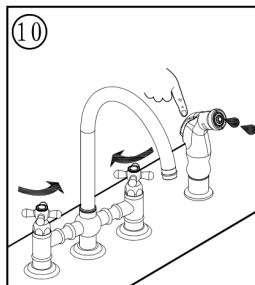
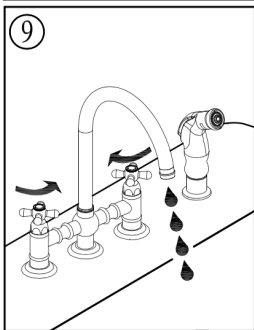
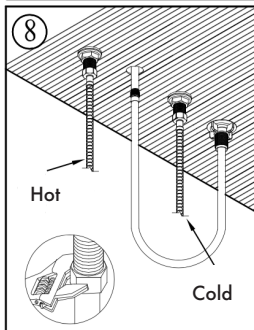
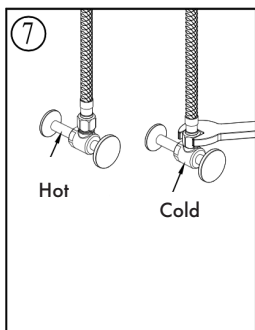
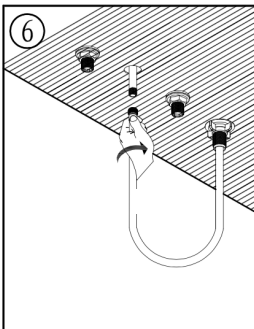
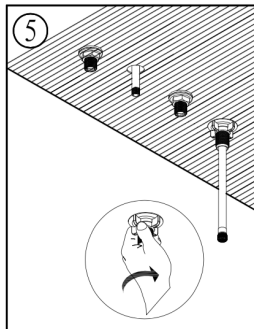
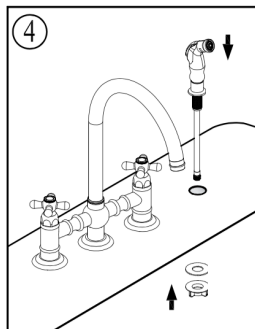
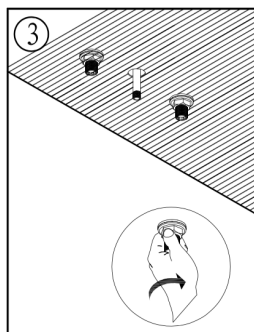
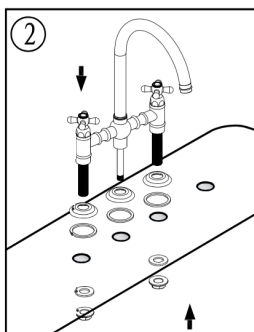
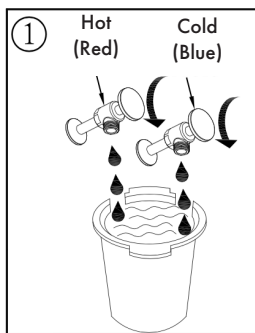
1. Faucet Body
2. Base O-Ring
3. Rubber Washer
4. Metal Washer
5. Nut
6. Spray Head
7. Washer
8. Nut

# KITCHEN FAUCETS WITH SPRAYERS

## Assembly for Models:

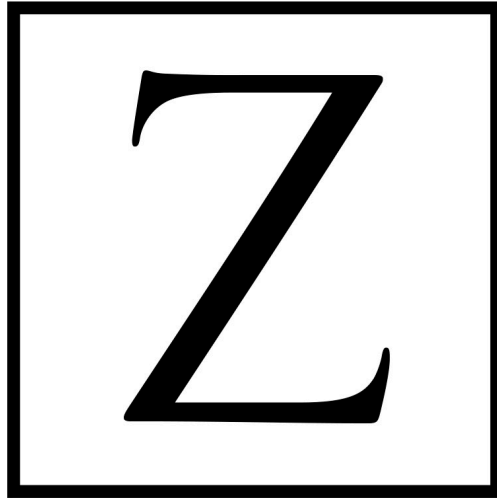
FFCC-CH

FFCC-OR



## TROUBLESHOOTING

| Problem  | Possible Cause  | Solution   |
|--|---|--|
| There is leakage under the handle.                   | The locking nut has come loose.   | Unscrew the lever on the handle by hand. Loosen set screw with a hex wrench. Remove the handle and unscrew trim cap by hand. Tighten locking nut with an adjustable wrench.  |
| Water will not shut off completely.                  | Cartridge may be defective.   | Unscrew the level on the handle by hand. Loosen set screw with a hex wrench. Remove the handle and unscrew trim cap by hand. Unscrew the locking nut with an adjustable wrench. Remove ceramic disc cartridge. Check for cracks. |
| There is a leak between the spray head and the hose. | The spray head may be loose or the washer is not seated correctly in the hose connection. | Tighten the spray head by hand until snug. Make sure the washer is seated correctly.   |



  
**ZLINE**  
KITCHEN AND BATH

**Two Locations:**

916 Delaware Avenue  
Marysville, Ohio 43040

350 Parr Circle  
Reno, NV 89512

[www.zlinekitchen.com](http://www.zlinekitchen.com)

**1-614-777-5004**