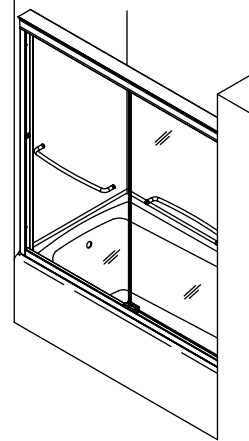


Features

- CleanCoat® glass coating
- Center-guided door panel mechanism for smooth, quiet sliding action and easy cleaning
- Out-of-plumb adjustability allows for easy installation
- Stainless steel hardware prevents rusting or corrosion
- Smooth, easy-to-clean wall jambs
- Gently curved inside and outside towel bar
- 3/8" (10 mm) thick tempered glass

SLIDING BATH/SHOWER DOORS K-702205 ALSO K-702207, K-702209, K-702217



Codes/Standards Applicable

Specified model meets or exceeds the following:

- ANSI Z97.1 (tempered glass)
- 16 CFR Part 1201

Glass Options

- L: Clear

Frame Finishes/Colors

- BH: Bright Brass
- SHP: Polished Silver
- NX: Brushed Nickel
- ABV: Brushed Bronze

Specified Model

Model	Application	Glass Options	Frame Finishes/Colors			
			BH	SHP	NX	ABV
K-702205	Bath	<input type="checkbox"/> L	<input type="checkbox"/> BH	<input type="checkbox"/> SHP	<input type="checkbox"/> NX	<input type="checkbox"/> ABV
K-702207	Shower	<input type="checkbox"/> L	<input type="checkbox"/> BH	<input type="checkbox"/> SHP	<input type="checkbox"/> NX	<input type="checkbox"/> ABV
K-702209	Shower	<input type="checkbox"/> L	<input type="checkbox"/> BH	<input type="checkbox"/> SHP	<input type="checkbox"/> NX	<input type="checkbox"/> ABV
K-702217	Shower	<input type="checkbox"/> L			<input type="checkbox"/> NX	

Product Specification

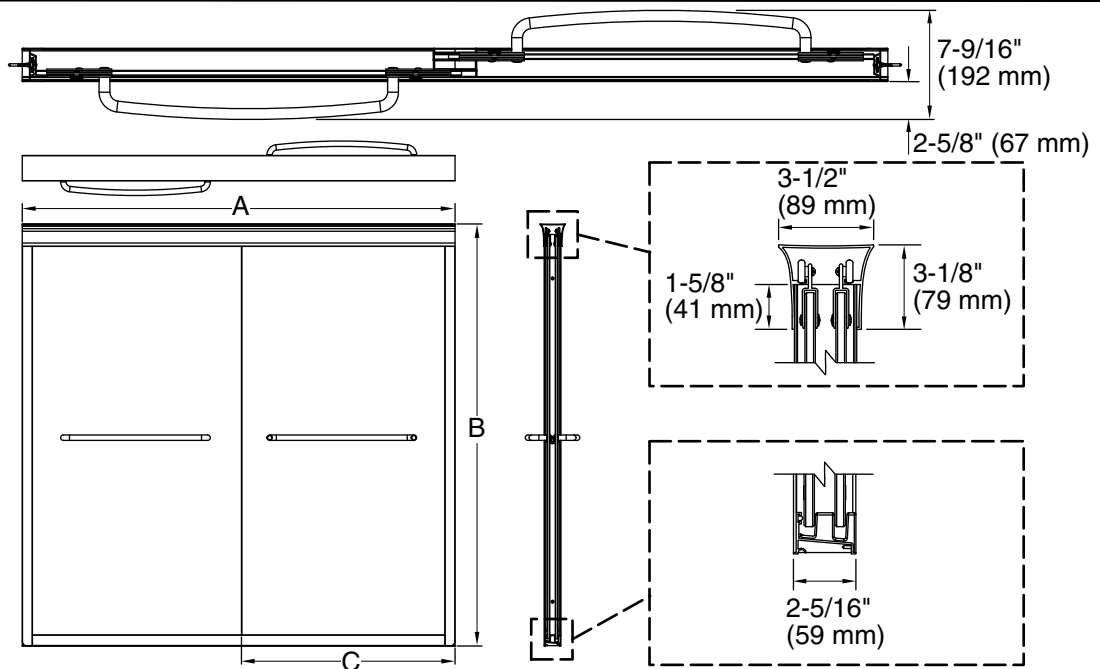
The sliding bath/shower door shall have 3/8" (10 mm) thick tempered glass and Clean Coat glass coating. Door shall have out-of-plumb adjustability for easy installation, stainless steel hardware to prevent rusting or corrosion, and a gently curved inside and outside towel bar. Door shall have smooth, easy-to-clean wall jambs. Door shall have a center-guided door panel mechanism for smooth, quiet sliding action and easy cleaning. Bath/shower door shall be Kohler Model K-_____-L-_____.

FLUENCE®

Installation Notes

Install this product according to the installation guide.

Model	A (Max)	B	C (Walk Through)
K-702205	59-5/8" (1514 mm)	58-5/16" (1481 mm)	27-7/8" (708 mm)
K-702207	59-5/8" (1514 mm)	70-5/16" (1802 mm)	27-7/8" (708 mm)
K-702209	47-5/8" (1210 mm)	70-5/16" (1802 mm)	21-7/8" (556 mm)
K-702217	59-5/8" (1514 mm)	75" (1905 mm)	27-7/8" (708 mm)



Product Diagram