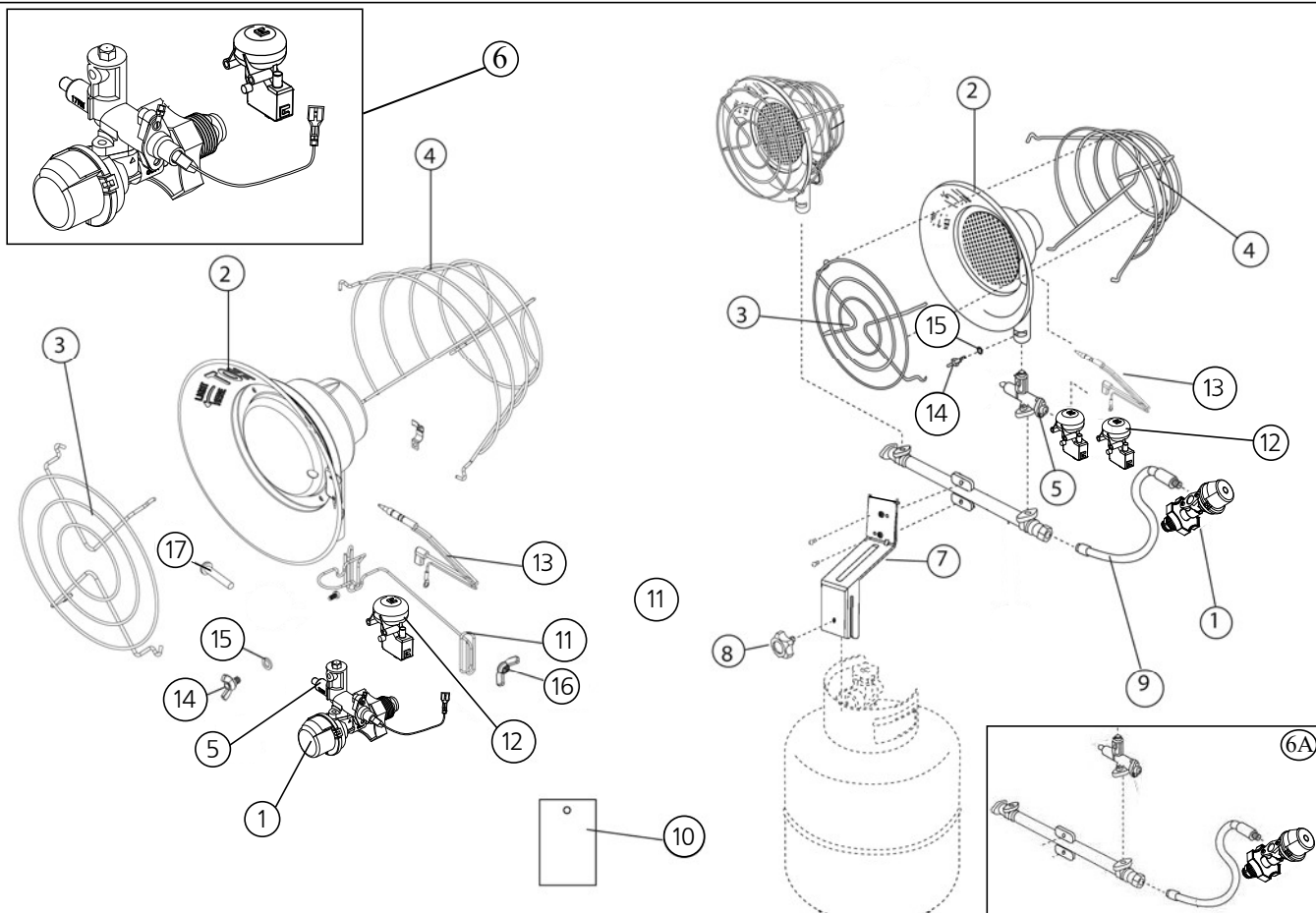


Mr. Heater • Gas-Fired Tank Top Portable Heater • Model #MH15T and MH30T



Model MH15T

Model MH30T

Item #	Description	MH15T (F242100)		MH30T (F242650)	
		Number	Qty	Number	Qty
1	Regulator Assembly	F237314	1	F237314	1
2	Burner Assembly	42110	1	42110	2
3	Guard Assembly	17413	1	17413	2
4	Rear Guard Assembly	17418	1	17418	2
5	Safety Shut-Off Valve	F237416	1	F237416	2
6	Regulator,Safety Shut-Off Valve, Tip Switch Assembly	42111	1	--	--
6A	Complete Manifold Assembly	--	--	42653	
7	Tank Collar Bracket	--	--	42618	1
8	Mounting Bolt Knob	--	--	17415	1
9	Gas Hose	--	--	42909	1
10	Label, Model/Opr. Instr.	17503	1	42656	1
11	Support Wireframe	17353	1	--	--
12	Tip Switch	42116	1	42116	2
13	Thermocouple/Tip Switch Wire Assembly	F237349	1	F237349	2
14	Wing Bolt	17342	1	17342	2
15	Fiber Washer	17341	1	17341	2
16	Wing Nut	17324	1	--	--
17	Bolt	17323	1	--	--