



®

AIR PURIFIERS



A101

A201

A301

IMPORTANT: READ CAREFULLY BEFORE ASSEMBLY AND USE.

User guide.

Welcome to Hoover® ownership.

Now you can make it official.

Visit www.hoover.com/filter-reminders to receive free reminders sent straight to your inbox.

Get cleaning confidence for up to 3 full years with the Hoover® limited warranty.

Your Guide:

Important Safety Instructions	1
Features	3
How To Use	4
Maintenance	6
Troubleshooting	7
Service	8
Warranty	9

IMPORTANT SAFETY INSTRUCTIONS

SAVE THESE INSTRUCTIONS

When using an electrical appliance, basic precautions should always be followed, including the following:

READ ALL INSTRUCTIONS BEFORE USING THIS APPLIANCE. THIS PRODUCT IS INTENDED FOR HOUSEHOLD USE ONLY. IF USED COMMERCIALY WARRANTY IS VOID.

WARNING: TO REDUCE THE RISK OF FIRE, ELECTRIC SHOCK, DAMAGE OR INJURY:

- Fully assemble before operating.
- Operate cleaner only at voltage specified on data label on back of cleaner.
- Do not use outdoors or on wet surfaces. Keep the unit away from water.
- Do not allow to be used as a toy. Not intended for use by children age 12 and under. Close supervision is necessary when used near children. To avoid injury or damage, keep children away from product, and do not allow children to place fingers or other objects into any openings.
- Use only as described in this manual. Use only manufacturer's recommended attachments and products.
- Do not use with damaged cord or plug. If appliance is not working as it should, has been dropped, damaged, left outdoors, or dropped into water, take it to a service center prior to continuing use.
- Do not place the air purifier near sources of heat, such as stove tops, ovens, radiators, or computers.

- Unplug from outlet when not in use and before cleaning and servicing.
- Do not run cord under carpeting. Do not cover cord with throw rugs, runners, or similar coverings. Arrange cord away from traffic area and where it will not be tripped over.
- Do not pull or carry by cord, use cord as a handle, close a door on cord, or pull cord around sharp edges or corners. Do not place product on cord. Do not run appliance over cord. Keep cord away from heated surfaces.
- Do not unplug by pulling on cord. To unplug, grasp the plug, not the cord.
- Do not handle plug or appliance with wet hands.
- Do not put any object into openings. Do not use with any opening blocked; keep free of dust, lint, hair, and anything that may reduce air flow.
- Keep hair, loose clothing, fingers, and all parts of body away from openings and moving parts.
- Turn off all controls before unplugging.
- Do not use without filters in place.
- Do not use the unit in an enclosed space where flammable, combustible or explosive gases are present.
- Do not use in an area where toxic vapors, flammable dust or oxygen tanks are present. Doing so may result in serious injury or death. Check the location and make sure these elements are not present.

WARNING: This product contains chemicals known to the State of California to cause cancer, birth defects or reproductive harm. **WASH HANDS AFTER HANDLING.**

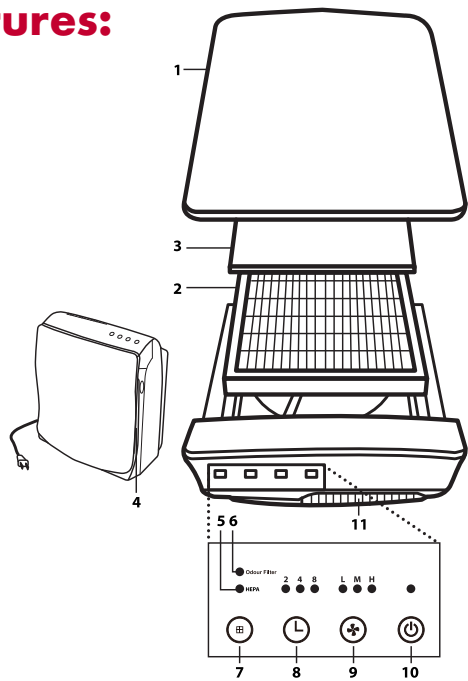
CAUTION: TO REDUCE THE RISK OF DAMAGE:

- Store appropriately indoors in a dry place. Do not expose machine to freezing temperatures.
- Do not block or partially block the air intake or air exhaust grilles. Ensure that there is adequate airflow around the unit.
- Keep the unit away from heaters/fireplaces and other hot objects/locations.
- Do not place any items on top of the unit, or sit on the unit.
- Never open the front cover while the unit is plugged into a wall outlet.
- Keep personal and loose objects (such as jewelry, loose ties, long hair etc.) away from unit.
- Keep children and pets away from unit.
- Never use compressed gas dusters, canned air, flammable or aerosol cleaners on this product. Some cleaning agents may combust causing serious injury and/or property damage.

WARNING:

To reduce the risk of electric shock, this appliance has a polarized plug (one blade is wider than the other). This plug will fit in a polarized outlet only one way. If the plug does not fit fully in the outlet, reverse the plug. If it still does not fit, contact a qualified electrician to install the proper outlet. Do not change the plug in any way.

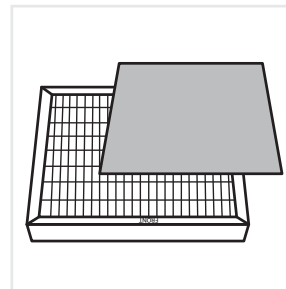
Features:



- 1 Air Purifier Door:** Easily remove to gain access to the filter.
- 2 Main Filter:** Filter particles from the air that passes through the filter.
- 3 Odor Filter:** Reduce odors from the air that passes through the filter.
- 4 Intake Grille:** Where air enters the unit.
- 5 Check Main Filter Light:** Indicates the main filter may need to be replaced when lit.
- 6 Check Odor Filter Light:** Indicates the odor filter may need to be replaced when lit.
- 7 Check Light Reset Button:** This button resets both the main filter and odor filter lights.
- 8 Timer:** Set the run time for two, four or eight hour, before automatically turning OFF.
- 9 Fan Speed:** The fan runs at three speeds. The lights indicate the current fan speed.
L: Low for the Silence Technology®
M: Medium for typical use
H: High for maximum cleaning
- 10 Power:** Turn the unit ON (I=ON) and OFF (O=OFF).
- 11 Exhaust Grille:** Direct the flow of air as it exits the unit.

*Varies per model

How To Use:



- 1 CHECK** the air purifier for the filters. Be sure the supplied filters are properly in place and all plastic is removed before turning the unit on.

*Varies per model



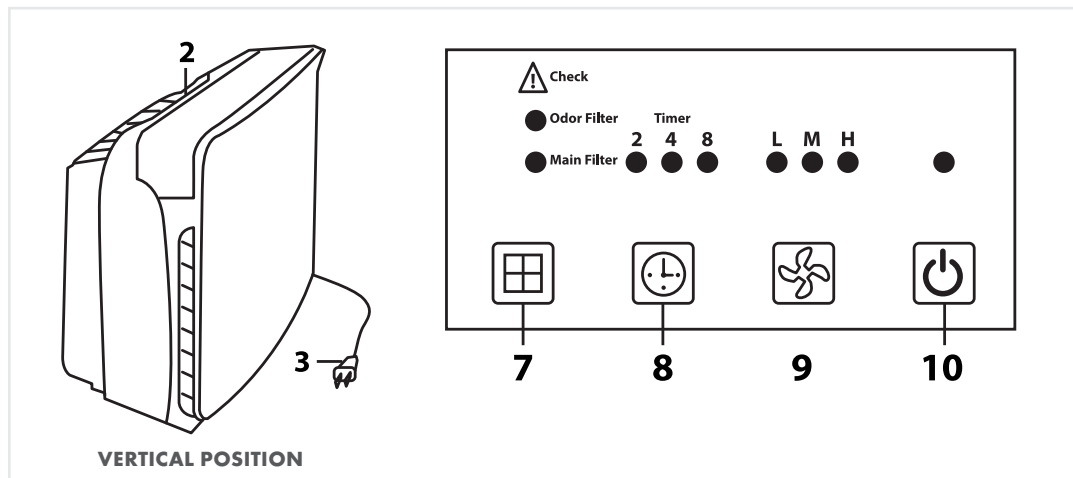
- 2 PLACE** the air purifier on a hard surface such as the floor, a table or desk. Be sure the grilles are not blocked by other objects, and there are no candles or flames near the unit. The air purifier can be placed in a horizontal or vertical position.

• IMPORTANT •

This unit is equipped with a smart panel that senses your touch. Heavy pushing of buttons is not recommended.

- 3 PLUG IN** into nearest standard electrical outlet.
- 4 LIGHTLY TOUCH** the power button to turn the air purifier on. Touch the power button again to turn the air purifier off.
- 5 SELECT THE FAN SPEED** To select the speed, lightly touch and release the fan speed button until the desired speed is reached.
L = low, Silence Technology®, **M** = medium or **H** = high.
- 6 ADJUST THE TIMER** feature. The time can be selected from two, four or eight hours. The unit will turn off once it runs for the selected hours.
Note: The unit will run continuously if all the timer lights are off.
- 7 THE CHECK FILTER LIGHTS** will light up when the filters need to be replaced. Touch and hold the button for several seconds until the filter indicator shuts off.

How To Use: control panel



• IMPORTANT •

This unit is equipped with a smart panel that senses your touch. Heavy pushing is not recommended.

*Varies per model

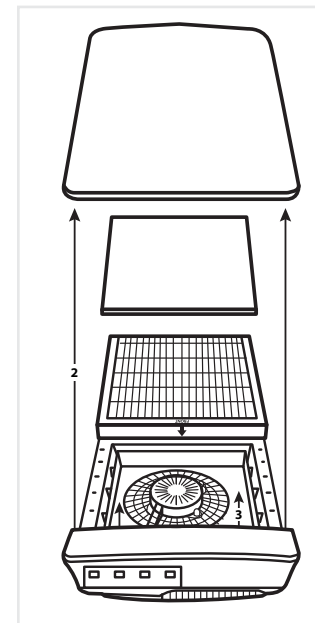
Maintenance: replacing the filter

⚠ CAUTION ⚠

To reduce the risk of injury from moving parts - unplug before servicing.

• IMPORTANT •

NOTE: THE FILTERS ARE NOT WASHABLE.



ANY OTHER SERVICING SHOULD BE DONE BY AN AUTHORIZED SERVICE REPRESENTATIVE.

IF APPLIANCE IS NOT WORKING AS IT SHOULD, HAS BEEN DROPPED, DAMAGED, LEFT OUTDOORS, OR DROPPED INTO WATER, TAKE IT TO A SERVICE CENTER PRIOR TO CONTINUING USE.

UNDER NORMAL OPERATING CONDITIONS THE MAIN FILTER SHOULD BE CHANGED EVERY SIX MONTHS. REPLACE ODOR FILTER* EVERY THREE MONTHS. THE FILTERS MAY NEED TO BE CHANGED MORE OFTEN IN HEAVY USE SUCH AS SMOKY OR DUSTY ENVIRONMENTS. HAVE SPARE FILTERS AVAILABLE FOR LATER REPLACEMENT.

- 1** When the filter light is illuminated, turn the unit off and unplug it from the power outlet.
- 2** Press buttons on sides of unit to release front cover. Rotate top down and remove.
- 3** Remove the used filter. Note: the odor filter is attached with hook and loop closure to the main filter. The odor filter* is an optional feature. The unit will continue to clean the air without it.
- 4** Remove the packaging from the new filter(s).
- 5** The odor filter is reversible and attaches to the hook and loop closure applied to the front of the main filter. Place the filter(s) in the unit according to the air flow direction arrow as indicated on the main filter. Place new filter(s) into the unit.
- 6** Replace the door by aligning and inserting the two door tabs, located at the bottom of the door, into the holes provided on the unit frame. Rotate the top of the door toward the top of the unit and insure the door snaps into place on both sides.

Please see the filter installed in your machine for reorder information.

*Varies per model

Troubleshooting:

Any other servicing should be done by an authorized service representative.

If appliance is not working as it should, has been dropped, damaged, left outdoors, or dropped into water, take it to a service center prior to continuing use.

PROBLEM	POSSIBLE CAUSE	POSSIBLE SOLUTION
Unit does not turn ON	<ol style="list-style-type: none">1. Power cord not firmly plugged into outlet.2. No voltage in wall plug.3. Blown fuse or tripped breaker.4. Timer may have finished.5. Front cover may be loose.6. Filter may be loose.	<ol style="list-style-type: none">1. Plug unit in firmly.2. Check fuse or breaker in home.3. Replace fuse/reset breaker in home.4. Reset timer.5. Secure front cover.6. Secure filter.
Unit has high noise level	<ol style="list-style-type: none">1. Check for a dirty filter.	<ol style="list-style-type: none">1. Replace the filter.
Unit still does not operate	<ol style="list-style-type: none">1. Air grills may be blocked.2. Filter may be dirty.3. Fan speed is set to L=Low (silence technology)4. Check all points above.	<ol style="list-style-type: none">1. Clear air grill area.2. Replace filter.3. Indicator light will illuminate.4. Call 1-800-944-9200 for the nearest authorized service representative.

⚠ WARNING ⚠

To reduce risk of personal injury - Unplug before cleaning or servicing.

*Varies per model

Service:

To obtain approved Hoover® service and genuine Hoover® parts, locate the nearest Authorized Hoover® Warranty Service Dealer (Depot) by:

- Checking the Yellow Pages under “Air Purifiers” or “Household”.
- Visit our website at hoover.com (U.S. Customers) or hoover.ca (Canadian customers). Follow the service center link to find the service outlet nearest you.
- For an automated referral of authorized service outlet locations call 1-800-944-9200.

Do not send your Air Purifier to Hoover®, Inc., Company in Glenwillow for service. This will only result in delay.

If you need further assistance:

To speak with a customer service representative call 1-800-944-9200; Mon-Fri 8am-7pm EST. Always identify your Air Purifier by the complete model number when requesting information or ordering parts. (The model number appears on the bottom of the Air Purifier.)

PLEASE DO NOT RETURN THIS PRODUCT TO THE STORE.

SERVICE & WARRANTY

SERVICE INFORMATION

ANY SERVICING SHOULD BE DONE BY AN AUTHORIZED SERVICE REPRESENTATIVE Call (888) 679-2121 USA & Canada

In the event that further assistance is required, visit an authorized service center. Find one nearest you by visiting our website at www.hoover.com. Costs of any transportation to and from any place of repair are to be paid by the owner. Always identify your product by the model number and manufacturing code when requesting information or ordering replacement parts. (The model number and manufacturing code for the vacuum appears on the bottom of charger and side of battery.)

LIMITED ONE YEAR WARRANTY (DOMESTIC USE)

WHAT THIS WARRANTY COVERS

When used and maintained in normal household use and in accordance with the Owner's Manual, your HOOVER® product is warranted against original defects in material and workmanship for a full one year from date of purchase (the "Warranty Period"). During the Warranty Period, Hoover® will provide labor and parts, at no cost to you, to correct any such defect in products purchased in the United States, U.S. Military Exchanges and Canada.

HOW TO MAKE A WARRANTY CLAIM

If this product is not as warranted, take or send the product to either a Hoover® Sales and Service Center or Hoover® Authorized Warranty Service Dealer along with proof of purchase. For an automated referral to authorized service outlets in the U.S.A., phone: 1-800-944-9200 OR visit Hoover® online at www.hoover.com. For additional assistance or information concerning this Warranty or the availability of warranty service outlets, phone the Hoover® Consumer Response Center, Phone 1-800-944-9200, Mon-Fri 8am-7pm EST. In Canada, contact Hoover® Canada, Carson Building, 100 Carson St., Etobicoke, Ontario M8W 3R9, Phone: 1-800-944-9200, Mon-Fri 8am-7pm EST.

WHAT THIS WARRANTY DOES NOT COVER

This Warranty does not cover: use of the product in a commercial operation (such as maid, janitorial and equipment rental services), improper maintenance of the product, damage due to misuse, acts of God, nature, vandalism or other acts beyond the control of Hoover®, owner's acts or omissions, use outside the country in which the product was initially purchased and resales of the product by the original owner. This warranty does not cover pick up, delivery, transportation or house calls. However, if you mail your product to a Hoover® Sales and Service Center for warranty service, cost of shipping will be paid one way.

This warranty does not apply to products purchased outside the United States, including its territories and possessions, outside a U.S. Military Exchange and outside of Canada. This warranty does not cover products purchased from a party that is not an authorized retailer, dealer, or distributor of Hoover® products.

OTHER IMPORTANT TERMS

This Warranty is not transferable and may not be assigned. This Warranty shall be governed and construed under the laws of the state of Ohio. The Warranty Period will not be extended by any replacement or repair performed under this Warranty.

THIS WARRANTY IS THE EXCLUSIVE WARRANTY AND REMEDY PROVIDED BY HOOVER®. ALL OTHER WARRANTIES, EXPRESSED OR IMPLIED, INCLUDING WARRANTIES OF MERCHANTABILITY OR FITNESS FOR PARTICULAR PURPOSE, ARE DISCLAIMED. IN NO EVENT WILL HOOVER® BE LIABLE FOR ANY SPECIAL, INDIRECT, INCIDENTAL OR CONSEQUENTIAL DAMAGES OF ANY KIND OR NATURE TO OWNER OR ANY PARTY CLAIMING THROUGH OWNER, WHETHER BASED IN CONTRACT, NEGLIGENCE, TORT OR STRICT PRODUCTS LIABILITY OR ARISING FROM ANY CAUSE WHATSOEVER. Some states do not allow the exclusion of consequential damages, so the above exclusion may not apply to you. This warranty gives you specific rights; you may also have others that vary from state to state.

PURIFICADORES DE AIRE

Felicidades por hacerse propietario de un producto Hoover.®

¡Ya es oficial!

Visite www.hoover.com/filter-reminders para recibir recordatorios gratis directamente en su bandeja de entrada.

Para su tranquilidad, Hoover® le ofrece una garantía limitada de hasta 3 años.

Instrucciones importantes de seguridad	11
Características	13
Cómo utilizarlo	14
Mantenimiento	15
Resolución de problemas	16
Mantenimiento	17
Garantía	18

INSTRUCCIONES DE SEGURIDAD IMPORTANTES

GUARDE ESTAS INSTRUCCIONES

Cuando use un aparato eléctrico, siempre siga las precauciones básicas, que incluyen las siguientes:

LEA TODAS LAS INSTRUCCIONES ANTES DE USAR ESTE APARATO. ESTE PRODUCTO ESTÁ DISEÑADO SÓLO PARA USO DOMÉSTICO. EL USO COMERCIAL DE ESTE PRODUCTO ANULA LA GARANTÍA.

ADVERTENCIA: PARA REDUCIR EL RIESGO DE INCENDIO, DESCARGA ELÉCTRICA, DAÑOS O LESIÓN:

- Ensamble completamente el producto antes de utilizarlo.
- Haga funcionar la limpiadora solamente con el voltaje especificado en la placa de datos ubicada en la parte posterior de la misma.
- No use este aparato en lugares al aire libre ni en superficies húmedas. Mantenga la unidad lejos del agua.
- No permita que el producto se use como un juguete. No está diseñado para que lo usen niños de 12 años o menos. Se debe prestar especial atención cuando se use cerca de niños. Para evitar daños y lesiones, mantenga a los niños alejados del producto, y no permita que introduzcan sus dedos u otros objetos en ninguna de las aberturas.
- Use el producto únicamente como se describe en este manual. Use únicamente los productos y accesorios recomendados por el fabricante.
- No lo use si el cable o enchufe están dañados. Si el aparato no está funcionando adecuadamente, se dejó caer, se dañó, se dejó a la intemperie o se dejó caer dentro del agua, llévelo a un centro de servicio antes de volver a usarlo.

- No coloque el purificador de aire cerca de fuentes de calor, como hornillas, hornos, radiadores o computadoras.
- Desenchúfelo de la toma de corriente cuando no lo esté usando y antes de limpiarlo o darle mantenimiento.
- No coloque el cordón debajo de alfombras. No cubra el cordón con tapetes, alfombras o cubiertas similares. Coloque el cordón fuera del área de tráfico y donde no provoque tropiezos.
- No tire del cordón ni traslade el aparato jalando del cordón, ni tampoco lo use como manija; no cierre la puerta cuando el cordón está atravesado ni tire de este alrededor de esquinas o bordes filosos. No coloque el producto sobre el cordón. No lo haga funcionar encima del cordón. Mantenga el cordón lejos de superficies calentadas.
- No lo desenchufe tirando del cable. Para desenchufarlo, sujete el enchufe, no el cordón.
- Nunca manipule el enchufe ni el aparato con las manos húmedas.
- No coloque ningún objeto en las aberturas. No use este producto si alguna abertura se encuentra obstruida; manténgalo libre de suciedad, pelusa, cabello y cualquier objeto que pueda reducir el flujo de aire.
- Mantenga el cabello, la ropa holgada, los dedos y todas las partes del cuerpo alejadas de las aberturas y otras piezas en movimiento.
- Apague todos los controles antes de desenchufarlo.
- No utilice el aparato sin los filtros en su lugar.
- No use la unidad en un lugar cerrado donde se encuentren gases inflamables, combustibles o explosivos.

ADVERTENCIA: Este producto contiene sustancias químicas reconocidas por el estado de California como causantes de cáncer, defectos congénitos o daños reproductivos. **LÁVESE LAS MANOS DESPUÉS DE USAR EL PRODUCTO.**

PRECAUCIÓN:

PARA REDUCIR EL RIESGO DE DAÑOS:

- Guarde el aparato de forma adecuada en la casa, en un lugar seco. No exponga el aparato a temperaturas de congelamiento.
- No obstruya parcial o completamente la entrada o la salida de aire de las rejillas. Asegúrese de que el flujo de aire alrededor de la unidad sea el adecuado.
- Mantenga la unidad lejos de calentadores/chimeneas y otros objetos/lugares calientes.
- No coloque ningún artículo sobre la unidad ni se siente en ella.
- Nunca abra la cubierta frontal mientras que la unidad esté conectada al enchufe.
- Mantenga alejados objetos personales holgados de la unidad (como joyas, corbatas holgadas, cabello largo, etc.)
- Mantenga a niños y mascotas alejados de la unidad.
- Nunca utilice gas comprimido para limpiar este producto, aire enlatado, limpiadores inflamables ni en aerosol. Algunos agentes de limpieza pueden incendiarse y causar lesiones o daños a la propiedad.

ADVERTENCIA:

Para disminuir el riesgo de descarga eléctrica, este aparato tiene un enchufe polarizado (una patilla es más ancha que la otra). Este enchufe puede usarse en una toma de corriente polarizada, de una sola manera. Si el enchufe no encaja completamente en la toma de corriente, colóquelo al revés. Si aun así no encaja, comuníquese con un electricista calificado para que instale la toma de corriente apropiada. No haga ningún tipo de modificación al enchufe.

Características:

- 1 Puerta del purificador de aire:** Se quita fácilmente para tener acceso al filtro.
- 2 Filtro principal:** Filtra partículas del aire que pasa a través del filtro.
- 3 Filtro de olor:** Reduce olores del aire que pasa a través del filtro.
- 4 Rejilla de la entrada de aire:** Lugar por donde entra el aire.
- 5 Revise la luz del filtro principal:** La luz indica que es posible que necesite cambiar el filtro principal.
- 6 Revise la luz del filtro de olor:** La luz indica que es posible que necesite cambiar el filtro de olor.
- 7 Revise la luz del botón de reinicio:** Este botón reinicia tanto la luz del filtro principal como la del filtro de olor.
- 8 Temporizador:** Puede seleccionar el temporizador ya sea por dos, cuatro u ocho horas para un apagado automático.
- 9 Velocidad del ventilador:** El ventilador cuenta con 3 velocidades. Las luces indican la velocidad actual del ventilador.
L: Velocidad baja para Silence Technology®
M: Velocidad media para uso común
H: Velocidad alta para una limpieza máxima
- 10 Potencia:** Encienda la unidad (I=encendido) y apagado (0=apagado).
- 11 Rejilla del escape:** Dirige el flujo del aire al momento de salir del aparato.

*Varía según el modelo

Cómo utilizarlo:

POSICIÓN HORIZONTAL

- 1 VERIFIQUE** los filtros del purificador de aire. Asegúrese de que los filtros incluidos estén correctamente colocados y que se haya retirado todo el plástico protector antes de encender la unidad.
- 2 COLOQUE** el purificador de aire en una superficie como el piso, una mesa o un escritorio. Asegúrese de que las rejillas no estén bloqueadas por otros objetos y que no haya velas o llamas cerca del aparato. El purificador de aire se puede colocar tanto horizontal como verticalmente.
- 3 ENCHUFE** el aparato al tomacorriente eléctrico estándar más cercano.
- 4 TOQUE EL BOTÓN** de encendido suavemente para encender el purificador de aire. Toque el botón de encendido para apagar el purificador de aire.
- 5 SELECCIONE** la velocidad del ventilador. Para seleccionar la velocidad, presione rápida y suavemente el botón de velocidad del ventilador hasta que alcance la velocidad deseada.
L = baja, Silence Technology®, **M** = media o, **H** = alta.
- 6 CÓMO AJUSTAR** la función del temporizador. Puede seleccionar el temporizador ya sea por dos, cuatro u ocho horas. La unidad se apagará una vez transcurridas las horas seleccionadas.
NOTA: La unidad continuará funcionando inclusive si las luces del temporizador están apagadas.
- 7 LAS LUCES** para revisar el filtro se encenderán cuando sea necesario cambiar los filtros. Mantenga presionado el botón durante unos cuantos segundos hasta que el indicador del filtro se apague.

• IMPORTANTE •

Esta unidad está equipada con un panel inteligente sensible al tacto. No se recomienda presionar con fuerza los botones.

*Varía según el modelo

Cómo utilizar el panel de control:

• IMPORTANTE •

Esta unidad está equipada con un panel inteligente sensible al tacto. No se recomienda presionarlo con fuerza.

POSICIÓN VERTICAL

Mantenimiento: Cómo cambiar los filtros

CUALQUIER OTRA TAREA DE MANTENIMIENTO DEBE REALIZARSE POR UN REPRESENTANTE DE MANTENIMIENTO AUTORIZADO.

SI EL PRODUCTO NO FUNCIONA ADECUADAMENTE, SE DEJÓ CAER, SE DAÑÓ, SE DEJÓ A LA INTEMPERIE O SE DEJÓ CAER DENTRO DEL AGUA, LLÉVELO A UN CENTRO DE SERVICIO ANTES DE VOLVER A USARLO.

SI SE UTILIZA EL APARATO EN CONDICIONES NORMALES, EL FILTRO PRINCIPAL DEBE CAMBIARSE CADA 6 MESES. REEMPLACE EL FILTRO DE OLOR* CADA TRES MESES. ES POSIBLE QUE LOS FILTROS SE DEBAN CAMBIAR CON MAYOR FRECUENCIA EN CONDICIONES DE USO RUDO COMO LO SON AMBIENTES POLVOSOS O DONDE HAY HUMO. CONSERVE FILTROS DE REPUESTO PARA REEMPLAZARLOS EN UN FUTURO.

- 1 Cuando se encienda la luz del filtro, apague la unidad y desconéctela de la toma de corriente.
- 2 Presione los botones ubicados en los costados de la unidad para quitarlo de la cubierta. Gire la tapa hacia abajo y retírela.
- 3 Retire el filtro usado. Nota: el filtro de olor se cierra con un cierre de velcro al filtro principal. El filtro de olor* es una función opcional. La unidad continuará limpiando el aire sin él.
- 4 Retire del empaque el nuevo filtro(s).
- 5 El filtro de olor es reversible y se cierra con un cierre de velcro al frente del filtro principal. Coloque el filtro(s) en la unidad de acuerdo a la dirección de la flecha del flujo de aire como se indica en el filtro principal. Coloque el nuevo filtro(s) en la unidad.
- 6 Para colocar la puerta nuevamente, alinee e inserte las dos lengüetas que se encuentran en la parte inferior de la puerta, en los orificios proporcionados en el marco de la unidad. Gire la parte superior de la puerta hacia la parte superior de la unidad y asegúrese de que encaje en su lugar en ambos lados.

⚠ PRECAUCIÓN ⚠

Para reducir el riesgo de lesiones ocasionadas por piezas en movimiento, desenchufe el producto antes de darle mantenimiento.

• IMPORTANTE •

NOTA: LOS FILTROS NO SE PUEDEN LAVAR.

El filtro instalado en su máquina contiene la información necesaria para ordenar nuevamente.

*Varía según el modelo

Resolución de problemas:

Cualquier otra tarea de mantenimiento debe realizarse por un representante de mantenimiento autorizado.

Si el aparato no está funcionando adecuadamente, se dejó caer, se dañó, se dejó a la intemperie o se dejó caer dentro del agua, llévelo a un centro de servicio antes de volver a usarlo.

PROBLEMA	POSIBLE CAUSA	SOLUCIONES POSIBLES
La unidad no enciende	<ol style="list-style-type: none">1. El cordón de alimentación no está bien enchufado en la toma de corriente.2. No hay corriente en el enchufe de pared.3. Se quemó el fusible o se disparó el disyuntor.4. El temporizador puede haber llegado a su fin.5. La cubierta del frente puede estar suelta.6. El filtro puede estar suelto.	<ol style="list-style-type: none">1. Enchufe bien la unidad.2. Verifique el fusible o el disyuntor de la casa.3. Cambie los fusibles o reinicie los disyuntores de la casa.4. Reinicie el temporizador.5. Cierre firmemente la cubierta del frente.6. Apriete bien el filtro.
La unidad hace mucho ruido	<ol style="list-style-type: none">1. Verifique que el filtro no esté sucio.	<ol style="list-style-type: none">1. Cambie el filtro.
La unidad sigue sin funcionar	<ol style="list-style-type: none">1. Es posible que las rejillas de aire estén bloqueadas.2. El filtro puede estar sucio.3. La velocidad del ventilador es L=baja (tecnología de funcionamiento silencioso)4. Verifique todos los puntos mencionados previamente.	<ol style="list-style-type: none">1. Desbloquee el área de la rejilla de aire.2. Cambie el filtro.3. Luz indicadora se encenderá.4. Llame al 1-800-944-9200 para encontrar el concesionario autorizado más cercano.

⚠ ADVERTENCIA ⚠

Para reducir el riesgo de lesiones físicas, desenchufe la aspiradora antes de limpiarla o de darle mantenimiento.

*Varía según el modelo

Mantenimiento:

Para obtener un servicio aprobado por Hoover® y piezas genuinas de Hoover®, localice el Concesionario autorizado de garantía de Hoover® (Depot) mediante:

- Consulte las páginas amarillas en la sección “Purificadores de aire” u “Hogar”.
- Visite nuestro sitio web en hoover.com. (clientes en Estados Unidos) o hoover.ca (clientes en Canadá). Siga el enlace de los centros de servicio para encontrar el más cercano.
- Llame al 1-800-944-9200 para que le indiquen, de manera automática, la ubicación de los centros autorizados de servicio.

No envíe su purificador de aire a Hoover®, Inc., Company en Glenwillow para su mantenimiento. Esto sólo causará demoras.

Si necesita más información:

Para hablar con un representante de servicio al cliente, llame al 1-800-944-9200; de lunes a viernes, de 8:00 a. m. a 7:00 p. m., hora del Este. Cuando solicite información u ordene piezas de repuesto, siempre identifique su purificador de aire por el número completo de modelo. (El número de modelo se encuentra en la parte inferior de la purificador de aire.)

POR FAVOR, NO DEVUELVA ESTE PRODUCTO A LA TIENDA.

MANTENIMIENTO Y GARANTÍA

INFORMACIÓN SOBRE EL MANTENIMIENTO

CUALQUIER SERVICIO DE MANTENIMIENTO REALIZARSE POR UN REPRESENTANTE DE MANTENIMIENTO AUTORIZADO Llame al (888) 679-2121 en EE. UU. y Canadá

Si necesita más ayuda, visite un centro de servicio autorizado. Encuentre el más cercano a usted en nuestro sitio web, www.hoover.com. El propietario pagará el costo del transporte desde y hacia cualquier sitio de reparación. Cuando solicite información o pida piezas de repuesto, siempre identifique su producto por el número de modelo y código de fabricación. (El número de modelo y el código de fabricación se encuentran en la parte inferior del cargador y en un costado de la batería).

GARANTÍA LIMITADA DE UN AÑO (PARA USO DOMÉSTICO)

LO QUE ESTÁ CUBIERTO POR ESTA GARANTÍA

Siempre que su producto HOOVER® se use en el hogar en condiciones normales y se le dé mantenimiento de acuerdo con el Manual del usuario, tendrá garantía contra defectos de origen en los materiales y la fabricación durante todo un año a partir de la fecha de compra (el “Período de Garantía”). Durante el período de garantía, Hoover® le proporcionará gratuitamente mano de obra y piezas para corregir cualquier defecto de este tipo en productos comprados en los Estados Unidos, las tiendas situadas en una base militar de los EE. UU., y Canadá.

CÓMO HACER UN RECLAMO SEGÚN LA GARANTÍA

Si este producto no se ajusta a las condiciones garantizadas, llévelo o envíelo a un Centro de Ventas y Servicio de Hoover® o a un concesionario autorizado de servicio de garantía de Hoover® junto con el comprobante de compra. Si desea que le indiquen de manera automática la ubicación de los centros autorizados de servicio en los EE. UU., llame al: 1-800-944-9200 O visite el sitio web de Hoover® en www.hoover.com. Para obtener asistencia adicional o información relacionada con esta Garantía o la disponibilidad de centros de servicio de garantía, llame al Centro de Respuestas del Consumidor de Hoover®, al teléfono 1-800-944-9200, de lunes a viernes, de 8:00 a. m. a 7:00 p. m., hora del Este. En Canadá, comuníquese con Hoover® Canadá, Carson Building, 100 Carson St., Etobicoke, Ontario M8W 3R9, Teléfono: 1-800-944-9200, de lunes a viernes, de 8:00 a. m. a 7:00 p. m., hora del Este.

LO QUE ESTA GARANTÍA NO CUBRE

Esta garantía no cubre el uso del producto en una operación comercial (como servicios de empleadas domésticas, mantenimiento de edificios y alquiler de equipos), mantenimiento incorrecto del producto, daños por uso indebido, causas de fuerza mayor, naturaleza, vandalismo u otras situaciones fuera del control de Hoover®, acciones u omisiones del propietario, uso fuera del país en el que se compró el producto inicialmente y reventas del producto por parte del propietario original. Esta garantía no cubre recogidas, entregas, transporte ni visitas a domicilio. Sin embargo, si usted envía su producto a un Centro de ventas y servicio de Hoover® para un servicio de garantía, cada una de las partes se hará responsable del envío correspondiente.

Esta garantía no se aplica a los productos comprados fuera de los Estados Unidos, incluidos sus territorios y posesiones, fuera de una tienda situada en una base militar de los EE. UU. ni fuera de Canadá. Esta garantía no cubre los productos comprados a una parte que no sea un minorista, concesionario o distribuidor autorizados de los productos de Hoover®.

OTROS TÉRMINOS IMPORTANTES

Esta garantía no es transferible y no puede ser asignada a ningún tercero. Esta garantía será rigida e interpretada de acuerdo con las leyes del estado de Ohio. El período de garantía no podrá ser extendido por cualquier tipo de reemplazo o reparación realizados bajo esta garantía.

ESTA GARANTÍA ES LA ÚNICA GARANTÍA Y EL ÚNICO RECURSO PROVIESTO POR HOOVER®. TODAS LAS DEMÁS GARANTÍAS, EXPRESAS O IMPLÍCITAS, INCLUIDAS LAS GARANTÍAS DE COMERCIALIZACIÓN O APTITUD PARA UN FIN PARTICULAR, QUEDAN EXCLUIDAS. HOOVER® NO SERÁ RESPONSABLE EN NINGÚN CASO POR NINGÚN DAÑO ESPECIAL, INDIRECTO, INCIDENTAL O MEDIATO DE NINGÚN TIPO O NATURALEZA CON RESPECTO AL PROPIETARIO O A CUALQUIER PARTE QUE REALICE UN RECLAMO A TRAVÉS DEL PROPIETARIO, YA SEA QUE SE BASE EN RESPONSABILIDAD CONTRACTUAL, NEGLIGENCIA, RESPONSABILIDAD EXTRA CONTRACTUAL O RESPONSABILIDAD CIVIL OBJETIVA POR LOS PRODUCTOS, O EMERGENTE DE CUALQUIER OTRA CAUSA. Algunos estados no permiten la exclusión de los daños mediatos, por lo que es posible que la exclusión anterior no se aplique a su caso en particular. Esta garantía le otorga derechos legales específicos, y es posible que también tenga otros derechos que varían de un estado a otro.

Notes



#RethinkCleaning

Hoover.com

Find us on:



youtube.com/hover



facebook.com/hover



twitter.com/hoverusa