



# OPERATOR'S MANUAL

## MANUEL D'UTILISATION

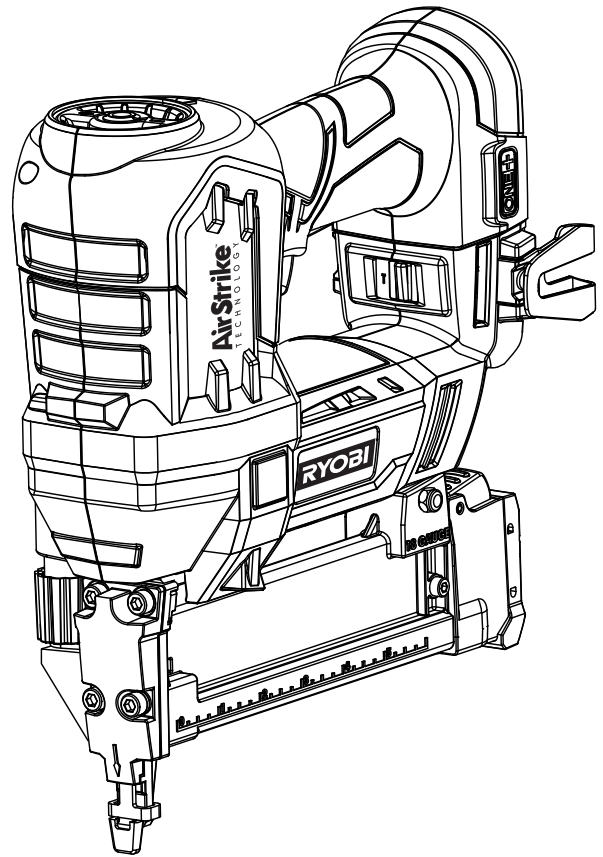
## MANUAL DEL OPERADOR

### 18 V AirStrike™ STAPLER

### AGRAFEUSE DE AirStrike™ 18 V

### GRAPADORA DE AirStrike™ 18 V

### P360



#### TABLE OF CONTENTS

\*\*\*\*\*

- General Power Tool Safety Warnings.....2-3
- Stapler Safety Warnings.....3-5
- Symbols.....6
- Glossary .....7
- Features.....7
- Assembly.....7
- Operation.....8-10
- Maintenance.....11
- Troubleshooting.....11
- Illustrations.....12-13
- Parts Ordering and Service .....Back page

#### TABLE DES MATIÈRES

\*\*\*\*\*

- Avertissements de sécurité générales relatives aux outils électriques.....2-3
- Avertissements de sécurité relatifs agrafeuse .....3-5
- Symboles.....6
- Glossaire.....7
- Caractéristiques .....7
- Assemblage.....7
- Utilisation .....8-10
- Entretien .....11
- Dépannage .....11
- Illustrations .....12-13
- Commande de pièces et dépannage .....Page arrière

#### ÍNDICE DE CONTENIDO

\*\*\*\*\*

- Advertencias de seguridad generales para herramientas eléctrica..... 2-3
- Advertencias de seguridad de grapadora de puntillas..... 3-5
- Símbolos.....6
- Glosario de términos .....7
- Características.....7
- Armado .....7
- Funcionamiento ..... 8-10
- Mantenimiento .....11
- Corrección de problemas .....11
- Ilustraciones..... 12-13
- Pedidos de piezas y servicio..... Pág. posterior

**⚠ WARNING:** To reduce the risk of injury, the user must read and understand the operator's manual before using this product.

**⚠ AVERTISSEMENT :** Pour réduire les risques de blessures, l'utilisateur doit lire et veiller à bien comprendre le manuel d'utilisation avant d'employer ce produit.

**⚠ ADVERTENCIA:** Para reducir el riesgo de lesiones, el usuario debe leer y comprender el manual del operador antes de usar este producto.

**SAVE THIS MANUAL FOR FUTURE REFERENCE**

**CONSERVER CE MANUEL POUR FUTURE RÉFÉRENCE**

**GUARDE ESTE MANUAL PARA FUTURAS CONSULTAS**

# GENERAL POWER TOOL SAFETY WARNINGS



## WARNING

Read all safety warnings and all instructions. Failure to follow the warnings and instructions may result in electric shock, fire and/or serious injury.

Save all warnings and instructions for future reference. The term “power tool” in the warnings refers to your mains-operated (corded) power tool or battery-operated (cordless) power tool.

## WORK AREA SAFETY

- **Keep work area clean and well lit.** Cluttered or dark areas invite accidents.
- **Do not operate power tools in explosive atmospheres, such as in the presence of flammable liquids, gases or dust.** Power tools create sparks which may ignite the dust or fumes.
- **Keep children and bystanders away while operating a power tool.** Distractions can cause you to lose control.

## ELECTRICAL SAFETY

- **Power tool plugs must match the outlet. Never modify the plug in any way. Do not use any adapter plugs with earthed (grounded) power tools.** Unmodified plugs and matching outlets will reduce risk of electric shock.
- **Avoid body contact with earthed or grounded surfaces such as pipes, radiators, ranges and refrigerators.** There is an increased risk of electric shock if your body is earthed or grounded.
- **Do not expose power tools to rain or wet conditions.** Water entering a power tool will increase the risk of electric shock.
- **Do not abuse the cord. Never use the cord for carrying, pulling or unplugging the power tool. Keep cord away from heat, oil, sharp edges or moving parts.** Damaged or entangled cords increase the risk of electric shock.
- **When operating a power tool outdoors, use an extension cord suitable for outdoor use.** Use of a cord suitable for outdoor use reduces the risk of electric shock.
- **If operating a power tool in a damp location is unavoidable, use a ground fault circuit interrupter (GFCI) protected supply.** Use of a GFCI reduces the risk of electric shock.
- **Use battery only with charger listed. For use with 18V nickel-cadmium and 18V lithium-ion battery packs,** see tool/appliance/battery pack/charger correlation supplement 987000-432.

## PERSONAL SAFETY

- **Stay alert, watch what you are doing and use common sense when operating a power tool. Do not use a power tool while you are tired or under the influence of drugs, alcohol or medication.** A moment of inattention while operating power tools may result in serious personal injury.

- **Use personal protective equipment. Always wear eye protection.** Protective equipment such as dust mask, non-skid safety shoes, hard hat, or hearing protection used for appropriate conditions will reduce personal injuries.
- **Prevent unintentional starting. Ensure the switch is in the off-position before connecting to power source and/or battery pack, picking up or carrying the tool.** Carrying power tools with your finger on the switch or energising power tools that have the switch on invites accidents.
- **Remove any adjusting key or wrench before turning the power tool on.** A wrench or a key left attached to a rotating part of the power tool may result in personal injury.
- **Do not overreach. Keep proper footing and balance at all times.** This enables better control of the power tool in unexpected situations.
- **Dress properly. Do not wear loose clothing or jewellery. Keep your hair, clothing and gloves away from moving parts.** Loose clothes, jewellery or long hair can be caught in moving parts.
- **If devices are provided for the connection of dust extraction and collection facilities, ensure these are connected and properly used.** Use of dust collection can reduce dust-related hazards.
- **Do not wear loose clothing or jewelry. Contain long hair.** Loose clothes, jewelry, or long hair can be drawn into air vents.
- **Do not use on a ladder or unstable support.** Stable footing on a solid surface enables better control of the power tool in unexpected situations.

## POWER TOOL USE AND CARE

- **Do not force the power tool. Use the correct power tool for your application.** The correct power tool will do the job better and safer at the rate for which it was designed.
- **Do not use the power tool if the switch does not turn it on and off.** Any power tool that cannot be controlled with the switch is dangerous and must be repaired.
- **Disconnect the plug from the power source and/or the battery pack from the power tool before making any adjustments, changing accessories, or storing power tools.** Such preventive safety measures reduce the risk of starting the power tool accidentally.
- **Store idle power tools out of the reach of children and do not allow persons unfamiliar with the power tool or these instructions to operate the power tool.** Power tools are dangerous in the hands of untrained users.
- **Maintain power tools. Check for misalignment or binding of moving parts, breakage of parts and any other condition that may affect the power tool's operation. If damaged, have the power tool repaired before use.** Many accidents are caused by poorly maintained power tools.

# GENERAL POWER TOOL SAFETY WARNINGS

- **Keep cutting tools sharp and clean.** Properly maintained cutting tools with sharp cutting edges are less likely to bind and are easier to control.
- **Use the power tool, accessories and tool bits etc. in accordance with these instructions, taking into account the working conditions and the work to be performed.** Use of the power tool for operations different from those intended could result in a hazardous situation.

## BATTERY TOOL USE AND CARE

- **Recharge only with the charger specified by the manufacturer.** A charger that is suitable for one type of battery pack may create a risk of fire when used with another battery pack.
- **Use power tools only with specifically designated battery packs.** Use of any other battery packs may create a risk of injury and fire.
- **When battery pack is not in use, keep it away from other metal objects, like paper clips, coins, keys, nails, screws or other small metal objects, that can make a**

**connection from one terminal to another.** Shorting the battery terminals together may cause burns or a fire.

- **Under abusive conditions, liquid may be ejected from the battery; avoid contact. If contact accidentally occurs, flush with water. If liquid contacts eyes, additionally seek medical help.** Liquid ejected from the battery may cause irritation or burns.

## SERVICE

- **Have your power tool serviced by a qualified repair person using only identical replacement parts.** This will ensure that the safety of the power tool is maintained.
- **When servicing a power tool, use only identical replacement parts. Follow instructions in the Maintenance section of this manual.** Use of unauthorized parts or failure to follow Maintenance instructions may create a risk of shock or injury.

# STAPLER SAFETY WARNINGS

- **Always assume that the tool contains fasteners.** Careless handling of the stapler can result in unexpected firing of staples and personal injury.
- **Do not point the tool towards yourself or anyone nearby.** Unexpected triggering will discharge the staple causing an injury.
- **Do not actuate the tool unless the tool is placed firmly against the workpiece.** If the tool is not in contact with the workpiece, the staple may be deflected away from your target.
- **Disconnect the tool from the power source when the fastener jams in the tool.** While removing a jammed fastener, the tacker may be accidentally activated if it is plugged in.
- **Use caution while removing a jammed staple.** The mechanism may be under compression and the staple may be forcefully discharged while attempting to free a jammed condition.
- **Do not use this tool for fastening electrical cables.** It is not designed for electric cable installation and may damage the insulation of electric cables thereby causing electric shock or fire hazards.
- **Hold power tool by insulated gripping surfaces, when performing an operation where the fastener may contact hidden wiring.** Fasteners contacting a “live” wire may make exposed metal parts of the power tool “live” and could give the operator an electric shock.

- **Know your power tool. Read operator’s manual carefully. Learn its applications and limitations, as well as the specific potential hazards related to this power tool.** Following this rule will reduce the risk of electric shock, fire, or serious injury.
- **Always wear eye protection with side shields marked to comply with ANSI Z87.1.** Everyday glasses have only impact resistant lenses. They are not safety glasses. Following this rule will reduce the risk of serious personal injury.
- **Eye protection which conforms to ANSI specifications and provides protection against flying particles both from the FRONT and SIDE should ALWAYS be worn by the operator and others in the work area when loading, operating or servicing this tool.** Eye protection is required to guard against flying fasteners and debris, which could cause severe eye injury.
- **The employer and/or user must ensure that proper eye protection is worn.** We recommend Wide Vision Safety Mask for use over eyeglasses or standard safety glasses that provide protection against flying particles both from the front and side. Always use eye protection which is marked to comply with ANSI Z87.1.

# STAPLER SAFETY WARNINGS

- **Additional safety protection will be required in some environments.** For example, the working area may include exposure to noise level which can lead to hearing damage. The employer and user must ensure that any necessary hearing protection is provided and used by the operator and others in the work area. Some environments will require the use of head protection equipment. When required, the employer and user must ensure that head protection conforming to ANSI Z89.1-1997 is used.
- **Keep fingers away from trigger when not driving fasteners to avoid accidental firing.**
- **Use safety equipment. Always wear eye protection.** Dust mask, nonskid safety shoes, hard hat, or hearing protection must be used for appropriate conditions.
- **Protect your lungs. Wear a face or dust mask if the operation is dusty.** Following this rule will reduce the risk of serious personal injury.
- **Protect your hearing. Wear hearing protection during extended periods of operation.** Following this rule will reduce the risk of serious personal injury.
- **Battery tools do not have to be plugged into an electrical outlet; therefore, they are always in operating condition. Be aware of possible hazards when not using your battery tool or when changing accessories.** Following this rule will reduce the risk of electric shock, fire, or serious personal injury.
- **Do not place battery tools or their batteries near fire or heat.** This will reduce the risk of explosion and possibly injury.
- **Use the tool only for its intended use.** Do not discharge fasteners into open air.
- **Use the tool only for the purpose for which it was designed.**
- **Use only the staples recommended for this tool.** Use of the wrong staples could result in poor staple feeding, jammed staples, and staples leaving the tool at erratic angles. If staples are not feeding smoothly and properly, discontinue their use immediately. Jammed and improperly feeding staples could result in serious personal injury.
- **Never use this tool in a manner that could cause a fastener to be directed toward anything other than the workpiece.**
- **Do not use the tool as a hammer.**
- **Always carry the tool by the handle.**
- **Do not alter or modify this tool from the original design or function without approval from the manufacturer.**
- **Always be aware that misuse and improper handling of this tool can cause injury to yourself and others.**
- **Never clamp or tape the trigger or workpiece contact in an actuated position.**
- **Never leave tool unattended if the battery is installed.**
- **Do not operate this tool if it does not contain a legible warning label.**
- **Keep the tool and its handle dry, clean and free from oil and grease.** Always use a clean cloth when cleaning. Never use brake fluids, gasoline, petroleum-based products, or any strong solvents to clean your tool. Following this rule will reduce the risk of loss of control and deterioration of the enclosure plastic.

## OPERATION

- **Do not use tool if trigger does not actuate properly.** Any tool that cannot be controlled with the trigger is dangerous and must be repaired.
- **Check operation of the workpiece contact mechanism frequently.** Do not use the tool if the workpiece contact mechanism is not working correctly as accidental driving of a fastener may result. Do not interfere with the proper operation of the workpiece contact mechanism.
- **Do not use a tool that does not work correctly.**
- **Always assume that the tool contains fasteners.**
- **Do not carry the tool from place to place holding the trigger.** Accidental discharge could result.
- **Always handle the tool with care:**
  - Respect the tool as a working implement.
  - Never engage in horseplay.
  - Never pull the trigger unless nose is directed toward the work.
  - Keep others a safe distance from the tool while tool is in operation as accidental actuation may occur, possibly causing injury.
- **Choice of triggering method is important. Check manual for triggering options.**
- **The stapler is designed for single-hand use.** Do not hold the tool by the front of the magazine. Do not put hands, head, or other parts of your body near the bottom of the magazine where the staple exits the tool, as serious personal injury could result.
- **Do not point the tool toward yourself or anyone whether it contains fasteners or not.**
- **Do not actuate the tool unless you intend to drive a fastener into the workpiece.**
- **Always ensure that the workpiece contact is fully positioned above the workpiece.** Positioning the workpiece contact only partially above the workpiece could cause the fastener to miss the workpiece completely and result in serious personal injury.

# STAPLER SAFETY WARNINGS

- **Do not drive fasteners near edge of material.** The workpiece may split causing the fastener to ricochet, injuring you or a co-worker. Be aware that the fastener may follow the grain of the wood, causing it to protrude unexpectedly from the side of the work material or deflect, possibly causing injury.
- **Keep hands and body parts clear of immediate work area.** Hold workpiece with clamps when necessary to keep hands and body out of potential harm. Be sure the workpiece is properly secured before pressing the fastener against the material. The workpiece contact may cause the work material to shift unexpectedly.
- **Keep face and body parts away from back of the tool cap when working in restricted areas.** Sudden recoil can result in impact to the body, especially when driving fasteners into hard or dense material.
- **During normal use the tool will recoil immediately after driving a fastener. This is a normal function of the tool.** Do not attempt to prevent the recoil by holding the stapler against the work. Restriction to the recoil can result in a second fastener being driven from the stapler. Grip the handle firmly, let the tool do the work and do not

place second hand on top of tool or near exhaust at any time. Failure to heed this warning can result in serious personal injury.

- **Do not drive fasteners on top of other fasteners or with the tool at an overly steep angle as this may cause deflection of fasteners which could cause injury.**

## LOADING TOOL

- **Do not load the tool with fasteners when any one of the operating controls is activated.**

**When loading tool:**

- **Never place a hand or any part of body in fastener discharge area of tool.**
- **Never point tool at anyone.**
- **Do not pull the trigger or depress the workpiece contact as accidental actuation may occur, possibly causing injury.**

## SAVE THESE INSTRUCTIONS

- Refer to them frequently and use them to instruct others who may use this tool. If you loan someone this tool, loan them these instructions also.

## CALIFORNIA PROPOSITION 65



### WARNING:

This product and some dust created by power sanding, sawing, grinding, drilling, and other construction activities may contain chemicals, including lead, known to the State of California to cause cancer, birth defects, or other reproductive harm. **Wash hands after handling.**




Some examples of these chemicals are:

- lead from lead-based paints,
- crystalline silica from bricks and cement and other masonry products and,
- arsenic and chromium from chemically treated lumber.







Your risk from exposure to these chemicals varies, depending on how often you do this type of work. To reduce your exposure, work in a well-ventilated area and with approved safety equipment, such as dust masks that are specially designed to filter out microscopic particles.

# SYMBOLS

The following signal words and meanings are intended to explain the levels of risk associated with this product.

| SYMBOL  | SIGNAL          | MEANING  |
|---|-----------------|--|
|  | <b>DANGER:</b>  | Indicates an imminently hazardous situation, which, if not avoided, will result in death or serious injury.  |
|  | <b>WARNING:</b> | Indicates a potentially hazardous situation, which, if not avoided, could result in death or serious injury.   |
|  | <b>CAUTION:</b> | Indicates a potentially hazardous situation, which, if not avoided, may result in minor or moderate injury.  |
|   | <b>NOTICE:</b>  | (Without Safety Alert Symbol) Indicates important information not related to an injury hazard, such as a situation that may result in property damage. |

Some of the following symbols may be used on this product. Please study them and learn their meaning. Proper interpretation of these symbols will allow you to operate the product better and safer.

| SYMBOL  | NAME                   | DESIGNATION/EXPLANATION   |
|---|------------------------|---|
|    | Safety Alert           | Indicates a potential personal injury hazard.   |
|   | Read Operator's Manual | To reduce the risk of injury, user must read and understand operator's manual before using this product.  |
|  | Eye Protection         | Always wear eye protection with side shields marked to comply with ANSI Z87.1.  |
|  | Keep Hands Away        | Keep hands and body away from the discharge area of the tool.   |
|  | Wet Conditions Alert   | Do not expose to rain or use in damp locations.   |
|  | Recycle Symbols        | This product uses nickel-cadmium (Ni-Cd) and lithium-ion (Li-ion) batteries. Local, state or federal laws may prohibit disposal of batteries in ordinary trash. Consult your local waste authority for information regarding available recycling and/or disposal options. |
| V   | Volts                  | Voltage   |
| min   | Minutes                | Time  |
| ==  | Direct Current         | Type or a characteristic of current   |
| $n_0$   | No Load Speed          | Rotational speed, at no load  |
| .../min   | Per Minute             | Revolutions, strokes, surface speed, orbits etc., per minute  |

# GLOSSARY

## Activate (operating controls)

To move an operating control so that it is in a position that allows the tool to be actuated or that satisfies one requirement for the tool to be actuated.

## Actuate (tool)

To cause movement of the tool component(s) intended to drive a fastener.

## Actuation system

The use of a trigger, workpiece contact, and/or other operating control, separately or in some combination or sequence, to actuate the tool.

- **Single sequential actuation**

An actuation system in which there is more than one operating control and the operating controls must be activated in a specific sequence to actuate the tool. Additional actuation can occur when a specific operating control, other than a workpiece contact, is released and re-activated.

- **Contact actuation**

An actuation system in which there is more than one operating control and the operating controls can be activated in any sequence to actuate the tool. Additional actuation can occur when any operating control is released and re-activated.

## Fastener

A staple, pin, brad, nail, or other fastening device which is designed and manufactured for use in the tools within the scope of this standard.

## Jam

An obstruction in the feed or drive areas of the tool.

## Operating control

A control that separately, or as part of an actuation system, can cause the actuation of a tool.

## Trigger

A tool operating control activated by a tool operator's fingers.

## Workpiece

The intended object into which a fastener is to be driven by a tool.

## Workpiece contact

An operating control element or assembly on the tool intended to be activated by the material to be fastened.

# FEATURES

## PRODUCT SPECIFICATIONS

Magazine Capacity ..... 105 Staples  
Stapler Speed ..... up to 60 shots/min.

Staple Type ..... 1/4 in. Narrow Crown Staple  
Staple Size (Length) ..... 3/8 in to 1-1/2 in.

# ASSEMBLY

### **WARNING:**

Do not use this product if it is not completely assembled or if any parts appear to be missing or damaged. Use of a product that is not properly and completely assembled or with damaged or missing parts could result in serious personal injury.

### **WARNING:**

Do not attempt to modify this product or create accessories or attachments not recommended for use with this product. Any such alteration or modification is misuse and could result in a hazardous condition leading to possible serious personal injury.

If any parts are damaged or missing, please call 1-800-525-2579 for assistance.

# OPERATION

## **WARNING:**

Do not allow familiarity with this product to make you careless. Remember that a careless fraction of a second is sufficient to inflict serious injury.

## **WARNING:**

Always remove battery pack from the tool when you are assembling parts, making adjustments, cleaning, or when not in use. Removing battery pack will prevent accidental starting that could cause serious personal injury.

## **WARNING:**

Always wear eye protection with side shields marked to comply with ANSI Z87.1, along with hearing protection. Failure to do so could result in objects being thrown into your eyes and other possible serious injuries.

## APPLICATIONS

You may use this tool for the purposes listed below:

- Finish and Trim (Interior and exterior)
- Door & Window Casing
- Door Jambs
- Baseboard
- Crown Molding
- Cabinetry
- Cap and Shoe Molding
- Molding
- Staircases
- Door and Window Trim
- Chair Rail
- Brickmold
- Hardwood Flooring
- Paneling
- Furniture

## ATTACH BELT CLIP

See Figure 1, page 12.

The belt clip can be installed on the left or right side of the stapler, depending on operator preference.

- Align belt clip and screw with right or left side screw hole.
- Using a phillips screwdriver (not included) tighten securely.

## INSTALLING/REMOVING BATTERY PACK

See Figure 2, page 12.

- **To install**, place the battery pack in the tool. Align the raised rib inside the tool with the groove on the battery pack.
- Make sure the latches on each side of the battery pack snap into place and battery pack is secured in tool before beginning operation.

**NOTE:** Squeeze LED light grip switch to activate stapler.

### To remove battery pack:

- **To remove**, locate latches on battery pack and depress to release battery pack from the tool.

For complete charging instructions, see the operator's manuals for your battery pack and charger.

## NO-MAR PAD

See Figure 3, page 12.

The no-mar pad attached to the nose of the tool helps prevent marring and denting when working with softer woods.

### To remove or replace the pad:

- Remove the battery pack.
- Remove the pad by pulling it down and away from the nose.
- To replace the pad, fit it into place over the nose and push up to reseal.

On-board storage for the pad is located on the magazine of the tool. An extra no-mar pad is provided in the on-board storage area.

## LOADING THE TOOL WITH STAPLES

See Figures 4 - 5, pages 12 - 13.

## **WARNING:**

Use only the staples recommended for use with this tool. The use of any other staples can result in tool malfunction, leading to serious injuries.

## **WARNING:**

Keep the tool pointed away from yourself and others when loading fasteners. Failure to do so could result in possible serious personal injury.

- Remove battery pack from the tool, if installed.
- Hold the tool upside down with the nose pointed upward and tilted away from you.
- Squeeze the magazine release button located at the rear of the magazine and slide the magazine cover open.
- Place staples in the channel with the staple tips pointing upward and the crown resting on the bottom of the channel.



# OPERATION

- Push the magazine cover closed. Make sure it securely snaps into place.
- Reinstall battery, and reactivate the tool by pressing the worklight grip switch.

## REMOVING STAPLES FROM THE TOOL

- Remove the battery pack.
- Depress the magazine release button.
- Remove staples and close the magazine.

## SETTING THE AIR PRESSURE

See Figure 6, page 13.

The amount of air pressure required will depend on the size of the fastener and the workpiece material.

Begin testing the depth of drive by driving a test fastener into the same type of workpiece material used for the actual job.

- Remove battery pack from the tool, if installed.
- Turn air pressure dial clockwise to increase air pressure or counterclockwise for decreased pressure.

It may be possible to achieve the desired depth with air pressure adjustments alone. If finer adjustments are needed, use the depth of drive adjustment on the tool.

**NOTE:** Under some conditions, the unit may not deliver a fastener when the air pressure dial is turned to the MAXIMUM pressure setting. The user may need to decrease the pressure setting for desired operation.

## ADJUSTING DEPTH OF DRIVE

See Figure 7, page 13.

The driving depth of the fastener may be adjusted beyond air pressure. It is advisable to test the depth on a scrap workpiece to determine the required depth for the application.

To determine depth of drive, first adjust the air pressure and drive a test fastener. To achieve the desired depth, use the depth of drive adjustment on the tool. Harder materials and longer fasteners will require more force to drive the staple.

- Remove battery pack from the tool, if installed.
- Turn the depth of drive adjustment left or right to change the driving depth.
- Reinstall battery and reactivate the tool by pressing the worklight grip switch.
- Drive a test staple after each adjustment until the desired depth is set.

**NOTE:** Set depth of drive at the shallowest depth that will meet your needs.

## DRIVING STAPLES

See Figures 8 - 9, page 13.

### **WARNING:**

Never wedge or hold back the workpiece contact mechanism during operation of the tool. Doing so could result in possible serious injury.

The mode selector lets the operator choose between Single Sequential Actuation for precise fastener placement and Contact Actuation for higher productivity.

The tool will drive a fastener each time the trigger is depressed, as long as the workpiece contact is depressed.

### **Single sequential actuation mode:**

Single sequential actuation provides the most accurate fastener placement.

- Remove battery pack from the tool.
- Slide the selector to position (T).

### **WARNING:**

The stapler will not function properly if the selector is not securely seated in either position (T) or (TTT). Always assure the selector is seated properly to avoid an unexpected fastener discharge and possible serious personal injury.

- Reinstall the battery and reactivate the tool.
- Grip the tool firmly to maintain control. Position the nose of the tool onto the work surface.
- Push the tool against the work surface to depress the workpiece contact.
- Squeeze the trigger to drive a fastener.  
**NOTE:** Hold trigger until drive cycle is complete.
- Always remove your finger from the trigger when the desired number of fasteners has been driven.

# OPERATION

## Contact actuation mode:

Contact actuation allows very fast repetitive fastener placement.

- Remove battery pack from the tool.
- Slide the selector to position (TTT).
- Reinstall the battery and reactivate the tool.
- Grip the tool firmly to maintain control.
- Squeeze and hold the trigger. Push the tool against the work surface to depress the workpiece contact and drive a staple.
- Lift the tool from the workpiece to drive the next staple.

**NOTE:** Hold trigger until drive cycle is complete.

- Always remove your finger from the trigger when the desired number of fasteners has been driven.

**NOTE:** In Contact Actuation Mode, the tool may also be operated by depressing the workpiece contact against the surface and squeezing the trigger.

## DRY-FIRE LOCKOUT

The dry-fire lockout feature keeps the tool from operating when fasteners are low in the magazine.

The low staple indicator window in the magazine shows how many staples remain in the tool.

When the magazine has 0-5 staples remaining, the dry-fire lockout feature will not allow continued operation.

To resume operation, reload the tool with staples.

## CONSTRUCTION RULER

A construction ruler located along the left side of the magazine allows the operator to make quick measurements while working.

## LED WORKLIGHTS/DIAGNOSTIC FEEDBACK

See Figure 10, page 13.

The LED Worklights provide feedback to indicate whether the battery pack is charged sufficiently and/or if the tool is functioning properly.

To turn on the worklights, press the LED worklight grip switch while firmly holding tool in normal operating position.

If worklights are flashing, install fully charged battery. If lights continue to flash, see *Troubleshooting* section for more information.

## REMOVING A JAMMED STAPLE

See Figure 11, page 13.

### **WARNING:**

Remove the battery pack before removing staples or clearing a jammed staple. Failure to do so could result in serious personal injury.

- Remove the battery pack from the tool.
- Open the magazine and remove staples.
- Insert a flat blade screwdriver into the driving mechanism and push the driver mechanism back, freeing the jam.
- Remove the bent staple.
- Reinsert staples and close the magazine.
- Reinstall the battery and reactivate the tool.

**NOTE:** Driving too deeply into the material, excess debris, or jammed fasteners may lead to a driver blade being stuck at its bottom position.

# MAINTENANCE

## WARNING:

When servicing, use only identical replacement parts. Use of any other parts could create a hazard or cause product damage.

## GENERAL MAINTENANCE

Avoid using solvents when cleaning plastic parts. Most plastics are susceptible to damage from various types of commercial solvents and may be damaged by their use. Use clean cloths to remove dirt, dust, oil, grease, etc.

# TROUBLESHOOTING

| PROBLEM   | POSSIBLE CAUSE  | SOLUTION   |
|---|---|--|
| Work-contacting element does not depress fully - tool does not operate.   | Low staples<br>Work-contacting element is jammed  | Replenish staples<br>Remove battery and clear debris   |
| Tool operates properly, but fasteners do not drive fully  | Air pressure is too low<br>Depth of drive isn't deep enough<br>Staple is too long for wood hardness | Increase air pressure<br>Adjust depth of drive<br>Use staple length that is appropriate for wood |
| Tool operates properly, but fasteners are driven too deep   | Air pressure is too high<br>Depth of drive is too deep  | Decrease air pressure<br>Adjust depth of drive   |
| Tool jams frequently  | Incorrect staples<br>Damaged staples<br>Loose magazine<br>Dirty magazine                            | Verify that staples are the correct size<br>Replace staples<br>Tighten screws<br>Clean magazine  |
| Tool stops and LEDs flash rapidly   | Battery is low or has no charge<br>Tool is hot  | Recharge battery<br>Allow tool to cool   |
| Tool has charged battery and LEDs are slowly flashing or LEDs do not turn off after approximately ten seconds of non-use. | Tool has malfunctioned  | Take tool to nearest authorized repair center  |

**NOTE: ILLUSTRATIONS START ON PAGE 12  
AFTER FRENCH AND SPANISH LANGUAGE SECTIONS.**

# AVERTISSEMENTS DE SÉCURITÉ GÉNÉRALES RELATIVES AUX OUTILS ÉLECTRIQUES



## AVERTISSEMENT

Lire tous les avertissements et toutes les instructions. Ne pas suivre l'ensemble des avertissements et des instructions peut entraîner une électrocution, un incendie ou des blessures graves.

Conserver les avertissements et les instructions à des fins de référence ultérieure. Le terme « outil motorisé », utilisé dans tous les avertissements ci-dessous désigne tout outil fonctionnant sur secteur (câblé) ou sur piles (sans fil).

## SÉCURITÉ DU LIEU DE TRAVAIL

- **Garder le lieu de travail propre et bien éclairé.** Les endroits encombrés ou sombres sont propices aux accidents.
- **Ne pas utiliser d'outils électriques dans des atmosphères explosives, par exemple en présence de liquides, gaz ou poussières inflammables.** Les outils électriques produisent des étincelles risquant d'enflammer les poussières ou vapeurs.
- **Garder les enfants et badauds à l'écart pendant l'utilisation d'un outil électrique.** Les distractions peuvent causer une perte de contrôle.

## SÉCURITÉ ÉLECTRIQUE

- **Les fiches des outils électriques doivent correspondre à la prise secteur utilisée. Ne jamais modifier la fiche, de quelque façon que ce soit. Ne jamais utiliser d'adaptateurs de fiche avec des outils mis à la terre.** Les fiches et prises non modifiées réduisent le risque de choc électrique.
- **Éviter tout contact du corps avec des surfaces mises à la terre, telles que tuyaux, radiateurs, cuisinières et réfrigérateurs.** Le risque de choc électrique est accru lorsque le corps est mis à la terre.
- **Ne pas exposer les outils électriques à l'eau ou l'humidité.** La pénétration d'eau dans ces outils accroît le risque de choc électrique.
- **Ne pas maltraiter le cordon d'alimentation. Ne jamais utiliser le cordon d'alimentation pour transporter l'outil et ne jamais débrancher ce dernier en tirant sur le cordon. Garder le cordon à l'écart de la chaleur, de l'huile, des objets tranchants et des pièces en mouvement.** Un cordon endommagé ou emmêlé accroît le risque de choc électrique.
- **Pour les travaux à l'extérieur, utiliser un cordon spécialement conçu à cet effet.** Utiliser un cordon conçu pour l'usage extérieur pour réduire les risques de choc électrique.
- **S'il est nécessaire d'utiliser l'outil électrique dans un endroit humide, employer un dispositif interrupteur de défaut à la terre (GFCI).** L'utilisation d'un GFCI réduit le risque de décharge électrique.
- **Ne recharger les piles qu'avec l'appareil indiqué. Pour utiliser l'appareil avec des piles au nickel-cadmium et au lithium-ion de 18 V, consulter le supplément de raccordement pour chargeur/outils/piles/appareil n° 987000-432.**

## SÉCURITÉ PERSONNELLE

- **Rester attentif, prêter attention au travail et faire preuve de bon sens lors de l'utilisation de tout outil électrique. Ne**

**pas utiliser cet outil en état de fatigue ou sous l'influence de l'alcool, de drogues ou de médicaments.** Un moment d'inattention pendant l'utilisation d'un outil électrique peut entraîner des blessures graves.

- **Utiliser l'équipement de sécurité. Toujours porter une protection oculaire.** L'équipement de sécurité, tel qu'un masque filtrant, de chaussures de sécurité, d'un casque ou d'une protection auditive, utilisé dans des conditions appropriées réduira le risque de blessures.
- **Éviter les démarrages accidentels. S'assurer que le commutateur est en position d'arrêt avant de brancher l'outil.** Porter un outil avec le doigt sur son commutateur ou brancher un outil dont le commutateur est en position de marche peut causer un accident.
- **Retirer les clés de réglage avant de mettre l'outil en marche.** Une clé laissée sur une pièce rotative de l'outil peut causer des blessures.
- **Ne pas travailler hors de portée. Toujours se tenir bien campé et en équilibre.** Ceci permettra de mieux contrôler l'outil en cas de situation imprévue.
- **Porter une tenue appropriée. Ne porter ni vêtements amples, ni bijoux. Garder les cheveux, les vêtements et les gants à l'écart des pièces en mouvement.** Les vêtements amples, bijoux et cheveux longs peuvent se prendre dans les pièces en mouvement.
- **Si les outils sont équipés de dispositifs de dépoussiérage, s'assurer qu'ils sont connectés et correctement utilisés.** L'usage de ces dispositifs de dépoussiérage peut réduire les dangers présentés par la poussière.
- **Ne porter ni vêtements amples, ni bijoux. Attacher ou couvrir les cheveux longs.** Les vêtements amples, bijoux et cheveux longs peuvent se prendre dans les ouïes d'aération.
- **Ne pas utiliser l'outil sur une échelle ou un support instable.** Une bonne tenue et un bon équilibre permettent de mieux contrôler l'outil en cas de situation imprévue.

## UTILISATION ET ENTRETIEN DES OUTILS ÉLECTRIQUES

- **Ne pas forcer l'outil. Utiliser l'outil approprié pour l'application.** Un outil approprié exécutera le travail mieux et de façon moins dangereuse s'il est utilisé dans les limites prévues.
- **Ne pas utiliser l'outil si le commutateur ne permet pas de le mettre en marche ou de l'arrêter.** Tout outil qui ne peut pas être contrôlé par son commutateur est dangereux et doit être réparé.
- **Débrancher l'outil et/ou retirer le bloc-piles avant d'effectuer des réglages, de changer d'accessoire ou de remiser l'outil.** Ces mesures de sécurité préventives réduisent les risques de démarrage accidentel de l'outil.
- **Ranger les outils motorisés hors de la portée des enfants et ne laisser personne n'étant pas familiarisé avec l'outil ou ces instructions utiliser l'outil.** Dans les mains de personnes n'ayant pas reçu des instructions adéquates, les outils sont dangereux.
- **Entretien des outils motorisés. Vérifier qu'aucune pièce mobile n'est mal alignée ou bloquée, qu'aucune pièce n'est brisée et s'assurer qu'aucun autre problème ne**

# AVERTISSEMENTS DE SÉCURITÉ GÉNÉRALES RELATIVES AUX OUTILS ÉLECTRIQUES

risque d'affecter le bon fonctionnement de l'outil. En cas de dommages faire réparer l'outil avant de l'utiliser de nouveau. Beaucoup d'accidents sont causés par des outils mal entretenus.

- **Garder les outils bien affûtés et propres.** Des outils correctement entretenus et dont les tranchants sont bien affûtés risquent moins de se bloquer et sont plus faciles à contrôler.
- **Utiliser l'outil, les accessoires et embouts, etc. conformément à ces instructions pour les applications pour lesquelles ils sont conçus, en tenant compte des conditions et du type de travail à exécuter.** L'usage d'un outil motorisé pour des applications pour lesquelles il n'est pas conçu peut être dangereux.

## UTILISATION ET ENTRETIEN DE LA PILE

- **Ne recharger qu'avec l'appareil spécifié par le fabricant.** Un chargeur approprié pour un type de pile peut créer un risque d'incendie s'il est utilisé avec un autre type de pile.
- **Utiliser exclusivement le bloc-pile spécifiquement indiqué pour l'outil.** L'usage de tout autre bloc peut créer un risque de blessures et d'incendie.

- **Lorsque le bloc-piles n'est pas en usage, le garder à l'écart d'articles tels qu'attaches trombones, pièces de monnaie, clous, vis ou autres petits objets métalliques risquant d'établir le contact entre les deux bornes.** La mise en court-circuit des bornes de piles peut causer des étincelles, des brûlures ou un incendie.
- **En cas d'usage abusif, du liquide peut s'échapper des piles. Éviter tout contact avec ce liquide. En cas de contact accidentel, rincer immédiatement les parties atteintes avec de l'eau. En cas d'éclaboussure dans les yeux consulter un médecin.** Le liquide s'échappant des piles peut causer des irritations ou des brûlures.

## DÉPANNAGE

- **Les réparations doivent être confiées à un technicien qualifié, utilisant exclusivement des pièces identiques à celles d'origine.** Ceci assurera le maintien de la sécurité de l'outil.
- **Utiliser exclusivement des pièces identiques à celles d'origine pour les réparations. Se conformer aux instructions de la section Entretien de ce manuel.** L'usage de pièces non autorisées ou le non-respect des instructions peut présenter des risques de choc électrique ou de blessures.

# AVERTISSEMENTS DE SÉCURITÉ RELATIFS AGRAFEUSE

- **Toujours présumer que l'outil contient des attaches.** La manipulation inadéquate de la cloueuse peut provoquer un tir accidentel d'attaches et causer des blessures.
- **Ne pas pointer l'outil vers soi ou d'autres personnes.** L'actionnement accidentel entraînera le tir d'une attache et causera des blessures.
- **Ne pas actionner l'outil s'il n'est pas fermement appuyé sur la pièce à clouer.** Lorsque l'outil n'est pas en contact avec la pièce à clouer, l'attache peut être déviée de sa cible.
- **Débrancher l'outil de la source d'alimentation lorsque les confitures de fixation de l'outil.** Tout en retirant une agrafe coincée, l'agrafeuse peut être activé accidentellement s'il est branché po.
- **Être prudent lors du retrait d'une attache bloquée.** Le mécanisme peut être comprimé et l'attache peut être projetée avec force pendant la tentative de délogement.
- **Ne pas utiliser cette cloueuse pour fixer du câblage électrique.** Cet outil n'est pas conçu pour fixer du câblage électrique et peut endommager l'isolant des câbles et des risques d'électrocution et d'incendie.
- **Lorsque l'outil est utilisé pour un travail risquant de le mettre en contact avec des fils électriques cachés, le tenir par les surfaces de prise isolées.** Le contact d'un dispositif de fixation avec un fil sous tension expose les pièces métalliques de l'outil et peut électrocuter l'utilisateur.
- **Apprendre à connaître l'outil. Lire attentivement le manuel d'utilisation. Apprendre les applications et les limites de l'outil, ainsi que les risques spécifiques relatifs**

à son utilisation. Le respect de cette consigne réduira les risques d'incendie, de choc électrique et de blessures graves.

- **Toujours porter une protection oculaire avec écran de protection latérale certifiée conforme à la norme ANSI Z87.1.** Les lunettes de vue ordinaires ne sont munies que de verres résistants aux chocs. Ces dernières ne sont PAS des lunettes de sécurité. Le respect de cette règle réduira les risques de blessures graves.
- **Lors du chargement, de l'utilisation ou de l'entretien de cet outil, l'opérateur et les personnes se trouvant sur le lieu de travail doivent TOUJOURS porter un dispositif oculaire à protection FRONTALE et LATÉRALE, conforme aux normes ANSI.** Une telle protection est requise, car les clous / agrafes et débris projetés peuvent causer des lésions oculaires graves.
- **Il incombe à l'employeur et / ou l'utilisateur de veiller à ce qu'une protection oculaire adéquate soit utilisée.** Nous recommandons d'utiliser un masque facial à champ de vision se portant par-dessus des lunettes de vue ou de sécurité et protégeant des débris projetés sur le devant et les côtés. Toujours porter une protection oculaire certifiée conforme à la norme ANSI Z87.1.
- **Des équipements de protection supplémentaires sont requis dans certains environnements.** Par exemple, le lieu de travail peut présenter un niveau de bruit susceptible d'entraîner des lésions auditives. Il incombe à l'opérateur et à l'utilisateur qu'une protection auditive soit fournie et utilisée

# AVERTISSEMENTS DE SÉCURITÉ RELATIFS AGRAFEUSE

par l'opérateur et les autres personnes se trouvant sur le lieu de travail. Certains environnements requièrent le port d'un casque. Il incombe à l'employeur et / ou l'utilisateur de veiller à ce qu'un casque conforme à la norme ANSI Z89.1-1997 soit utilisé.

- **Excepté pour planter des clous, garder les doigts à l'écart de la gâchette, pour éviter un déclenchement accidentel.**
- **Utiliser l'équipement de sécurité. Toujours porter une protection oculaire.** Suivant les conditions, le port d'un masque antipoussière, de chaussures de sécurité, d'un casque ou d'une protection auditive est recommandé.
- **Protection respiratoire. Porter un masque facial ou un masque antipoussière si le travail produit de la poussière.** Le respect de cette consigne réduira les risques de blessures graves.
- **Protection auditive. Porter une protection auditive lors de l'utilisation prolongée.** Le respect de cette règle réduira les risques de blessures graves.
- **Les outils fonctionnant sur piles n'ayant pas besoin d'être branchés sur une prise secteur, ils sont toujours en état de fonctionnement. Tenir compte des dangers possibles lorsque l'outil n'est pas en usage et lors du remplacement des piles.** Le respect de cette consigne réduira les risques d'incendie, de choc électrique et de blessures graves.
- **Ne pas placer les outils électriques sans fil ou leurs piles à proximité de flammes ou d'une source de chaleur.** Ceci réduira les risques d'explosion et de blessures.
- **L'outil ne doit être utilisé que pour les applications pour lesquelles il est conçu.** Ne pas décharger des clous / agrafes dans le vide.
- **Cet outil ne doit être utilisé que pour les applications pour lesquelles il est conçu.**
- **Utiliser seulement les agrafes recommandées pour cet outil.** L'utilisation du mauvais type d'agrafes pourrait nuire au débit des agrafes et entraîner des bourrages d'agrafes ainsi que l'éjection des clous de l'outil à des angles irréguliers. Si le débit des agrafes n'est pas constant et fluide, cesser de les utiliser sur le champ. Les bourrages et un débit d'agrafes irrégulier peuvent occasionner des blessures graves.
- **Ne jamais utiliser cet outil de façon à ce qu'un clou puisse être dirigé vers quoi que ce soit d'autre que la pièce à clouer.**
- **Ne pas utiliser cet outil comme un marteau.**
- **Toujours transporter l'outil par la poignée.**
- **Ne pas altérer ou modifier cet outil, ni l'utiliser pour des fonctions autres que celles prévues, sans autorisation préalable de son fabricant.**
- **Ne jamais oublier qu'un usage incorrect ou abusif de cet outil peut mettre l'opérateur et les autres personnes présentes en danger.**
- **Ne jamais bloquer la gâchette ou le contact de la cloususe en position de déclenchement avec du ruban adhésif ou un quelconque autre système.**

- **Ne jamais laisser un outil sans surveillance si la pile est installée.**
- **Ne pas utiliser cet outil s'il ne comporte pas d'autocollant d'avertissement.**
- **Garder l'outil et sa poignée secs, propres et exempts d'huile ou de graisse.** Toujours utiliser un chiffon propre pour le nettoyage. Ne jamais utiliser de liquide de freins, d'essence, de produits à base de pétrole ou de solvants forts pour nettoyer l'outil. Le respect de cette règle réduira les risques de perte du contrôle et d'endommagement du boîtier en plastique.

## UTILISATION

- **Ne pas utiliser l'outil si la gâchette ne fonctionne pas correctement.** Tout outil qui ne peut pas être contrôlé par la gâchette est dangereux et doit être réparé.
- **Vérifier le mécanisme de contact de la tête de l'outil fréquemment.** Ne pas utiliser l'outil si le mécanisme de déclenchement par contact ne fonctionne pas correctement, car l'éjection accidentelle d'une agrafe pourrait se produire. Ne pas empêcher le fonctionnement correct du mécanisme de contact de la tête de la cloueuse.
- **Ne pas utiliser un outil qui ne fonctionne pas correctement.**
- **Toujours présumer que l'outil contient des clous / agrafes.**
- **Ne pas transporter l'outil avec le doigt sur la gâchette.** Un clou pourrait être éjecté accidentellement.
- **Toujours manipuler l'outil avec précaution :**
  - Respecter cet outil comme tout équipement de travail.
  - Ne pas l'utiliser comme un jouet.
  - Ne jamais appuyer sur la gâchette si la tête de l'outil n'est pas dirigée vers la pièce à clouer.
  - Garder toutes les personnes présentes à distance sûre de l'outil, car un éventuel déclenchement accidentel pourrait entraîner des blessures.
- **Le choix de la méthode de déclenchement est important. Voir les options de déclenchement dans le manuel.**
- **Les outils sont conçus pour une utilisation à une main.** Ne pas tenir l'outil par la face avant du chargeur. Tenir les mains, la tête et toute autre partie du corps à distance du point d'éjection des clous, près du chargeur, afin d'éviter des blessures graves.
- **Ne pointer l'outil ni vers soi, ni vers quiconque, qu'il contienne des clous / agrafes ou non.**
- **N'actionner l'outil que pour planter un clou dans la pièce à assujettir.**
- **Toujours s'assurer que la surface de contact est exactement positionnée sur la pièce à clouer.** Un positionnement seulement partiel de la surface de contact sur la pièce à clouer peut occasionner des blessures graves car l'agrafe risque d'être éjectée complètement à côté de la pièce.

# AVERTISSEMENTS DE SÉCURITÉ RELATIFS AGRAFEUSE

- **Ne pas planter de clous près du bord du matériau.** La pièce à clouer peut se fendre, causant un ricochet du clou, qui risque alors de blesser l'opérateur ou une autre personne présente. Ne pas oublier que le clou peut suivre le grain du bois et que sa pointe peut ressortir inopinément par le bord de la planche.
- **Garder les mains et toutes les parties du corps à l'écart du point à clouer.** Au besoin, assujettir la pièce à clouer avec des serre-joint pour garder les mains à l'écart de la zone dangereuse. S'assurer que la pièce à clouer est correctement assujettie avant d'appuyer la cloueuse à sa surface. Le contact de la cloueuse peut causer un déplacement inopiné de la pièce.
- **Lors du travail dans des endroits confinés, garder le visage et le corps à l'écart de l'arrière de l'outil.** Un recul brusque peut projeter la cloueuse contre le corps, en particulier lors du clouage de matériaux denses.
- **Durant l'utilisation normale de l'outil, un recul se produit lorsqu'un clou est planté. Ce recul est normal.** Ne pas essayer de l'empêcher en maintenant l'outil contre la pièce à clouer. Empêcher le recul pourrait causer l'éjection d'un second clou. Tenir la poignée fermement, laisser l'outil exécuter le travail et ne jamais placer l'autre main sur le

dessus de l'outil ou près de l'échappement. Le non respect de cette mise en garde peut entraîner des blessures graves.

- **Ne pas planter un clou sur un autre ou avec l'outil à un angle trop prononcé, car le clou pourrait dévier et blesser quelqu'un.**

## CHARGEMENT DE L'OUTIL

- **Ne pas charger l'outil lorsque l'une des commandes de déclenchement est activée.**

Lors du chargement de l'outil :

- **Ne jamais placer une main ou une partie quelconque du corps devant la tête de l'outil.**
- **Ne jamais pointer l'outil sur qui que ce soit.**
- **Ne pas appuyer sur la gâchette ou sur le mécanisme de contact, car l'outil pourrait éjecter une agrafe, risquant blesser quelqu'un.**

## CONSERVER CES INSTRUCTIONS

- Les consulter fréquemment et les utiliser pour instruire les autres utilisateurs éventuels. Si cet outil est prêté, il doit être accompagné de ces instructions.

## PROPOSITION 65 DE L'ÉTAT DE CALIFORNIE

### AVERTISSEMENT :

Ce produit et la poussière dégagée lors du ponçage, sciage, meulage, perçage de certains matériaux et lors d'autres opérations de construction contient des produits chimiques, notamment du plomb, identifiés par l'état de Californie comme causes de cancer, des malformations congénitales ou des lésions de l'appareil reproducteur. **Bien se laver les mains après toute manipulation.**




Voici certains exemples de ces produits chimiques :

- le plomb contenu dans la peinture au plomb,
- la silice cristalline contenue dans les briques, le béton et d'autres produits de maçonnerie, ainsi que
- l'arsenic et le chrome contenus dans le bois de construction traité par produits chimiques.







Le risque présenté par l'exposition à ces produits varie en fonction de la fréquence de ce type de travail. Pour réduire l'exposition: travailler dans un endroit bien aéré et utiliser des équipements de sécurité approuvés tels que masques antipoussière spécialement conçus pour filtrer les particules microscopiques.

# SYMBOLES

Les termes de mise en garde suivants et leur signification ont pour but d'expliquer le degré de risques associé à l'utilisation de ce produit.

| SYMBOLE   | SIGNAL                 | SIGNIFICATION  |
|---|------------------------|--|
|  | <b>DANGER :</b>        | Indique une situation extrêmement dangereuse qui, si elle n'est pas évitée, aura pour conséquences des blessures graves ou mortelles.  |
|  | <b>AVERTISSEMENT :</b> | Indique une situation potentiellement dangereuse qui, si elle n'est pas évitée, pourrait entraîner des blessures graves ou mortelles.  |
|  | <b>ATTENTION :</b>     | Indique une situation potentiellement dangereuse qui, si elle n'est pas évitée, pourrait entraîner des blessures légères ou de gravité modérée.                                |
|   | <b>AVIS :</b>          | (Sans symbole d'alerte de sécurité) Indique une information importante ne concernant pas un risque de blessure comme une situation pouvant occasionner des dommages matériels. |

Certains des symboles ci-dessous peuvent être utilisés sur produit. Veiller à les étudier et à apprendre leur signification. Une interprétation correcte de ces symboles permettra d'utiliser produit plus efficacement et de réduire les risques.

| SYMBOLE   | NOM                                 | DÉSIGNATION / EXPLICATION   |
|---|-------------------------------------|---|
|    | Symbole d'alerte de sécurité        | Indique un risque de blessure potentiel.  |
|  | Lire manuel d'utilisation           | Pour réduire les risques de blessures, l'utilisateur doit lire et veiller à bien comprendre le manuel d'utilisation avant d'utiliser ce produit.  |
|  | Protection oculaire                 | Toujours porter une protection oculaire avec écrans latéraux certifiée conforme à la norme ANSI Z87.1.  |
|  | Garder les mains à l'écart          | Garder les mains et le corps à l'écart de de la décharge de l'outil.  |
|  | Avertissement concernant l'humidité | Ne pas exposer à la pluie ou l'humidité.  |
|  | Symboles de recyclage               | Ce produit utilise les piles de nickel-cadmium (Ni-Cd) et lithium-ion (Li-ion). Les réglementations locales ou gouvernementales peuvent interdire de jeter les piles dans les ordures ménagères. Consulter les autorités locales compétentes pour les options de recyclage et/ou l'élimination. |
| V   | Volts                               | Tension   |
| min   | Minutes                             | Temps   |
| —   | Courant continu                     | Type ou caractéristique du courant  |
| $n_0$   | Vitesse à vide                      | Vitesse de rotation à vide  |
| .../min   | Par minute                          | Tours, coups, vitesse périphérique, orbites, etc., par minute   |



# GLOSSAIRE

## Activer (commandes de l'outil)

Mettre une commande sur une position déclenchant ou permettant de déclencher l'outil.

## Actionner (outil)

Causer le mouvement des pièces conçues pour chasser une agrafe.

## Système de déclenchement

Gâchette, déclencheur par contact et / ou autre commande qui, utilisées séparément ou conjointement déclenchent l'outil.

### • Déclenchement par séquence unique

Système de déclenchement comprenant plus d'une commande et dont les commandes doivent être actionnées dans un ordre donné pour déclencher l'outil. Le déclenchement peut être répété lorsqu'une commande, autre que le déclencheur par contact, est relâchée, puis actionnée de nouveau.

### • Déclenchement par contact

Système de déclenchement comprenant plus d'une commande et dont les commandes doivent être actionnées dans n'importe quel ordre pour déclencher l'outil. Le déclenchement peut être répété lorsqu'une commande est relâchée, puis actionnée de nouveau.

## Pièce de fixation

Agrafe, cheville, clou ou autre pièce de fixation conçue et fabriquée pour être utilisée pour les outils répondant à cette norme.

## Blocage

Obstruction dans le système d'alimentation ou de décharge de l'outil.

## Commande

Dispositif qui, séparément ou en conjonction avec un système, peut causer le déclenchement de l'outil.

## Gâchette

Commande de l'outil actionnée par le doigt de l'opérateur.

## Pièce

Objet dans lequel un clou, une agrafe ou autre pièce de fixation est enfoncé par l'outil.

## Contact de déclenchement

Pièce ou partie de l'outil conçue pour le déclencher par contact avec la pièce à assujettir.

# CARACTÉRISTIQUES

## FICHE TECHNIQUE

Capacité du magasin ..... 105 Agrafes

Vitesse d'agrafeuse ..... jusqu'à 60 tirs/min.

Tailles d'agrafes ..... 1/4 po Agrafeuse  
pour couronne étroite

Longueur du agrafe ..... 3/8 à 1-1/2 po

# ASSEMBLAGE

## AVERTISSEMENT :

Ne pas utiliser le produit s'il n'est pas complètement assemblé ou si des pièces semblent manquantes ou endommagées. L'utilisation d'un produit dont l'assemblage est incorrect ou incomplet ou comportant des pièces endommagées ou absentes représente un risque de blessures graves.

## AVERTISSEMENT :

Ne pas essayer de modifier cet outil ou de créer des pièces et accessoires non recommandés. De telles altérations ou modifications sont considérées comme un usage abusif et peuvent créer des conditions dangereuses, risquant d'entraîner des blessures graves.

Si des pièces manquent ou sont endommagées, veuillez appeler au 1-800-525-2579 pour obtenir de l'aide.

# UTILISATION

## **AVERTISSEMENT :**

Ne pas laisser la familiarité avec l'outil faire oublier la prudence. Ne pas oublier qu'une fraction de seconde d'inattention peut entraîner des blessures graves.

## **AVERTISSEMENT :**

Toujours retirer la bloc-pile de l'outil au moment d'assembler des pièces, d'effectuer des réglages et de procéder au nettoyage, ou lorsque l'outil n'est pas utilisé. Si cette précaution n'est pas prise, des objets peuvent être projetés dans les yeux et causer des lésions graves.

## **AVERTISSEMENT :**

Toujours porter une protection oculaire avec écrans latéraux certifiée conforme à la norme ANSI Z87.1. Si une opération dégage de la poussière, porter également un masque anti-poussière.

## APPLICATIONS

Cet outil ne doit être utilisé que pour les applications listées ci-dessous :

- Finition et décoration (intérieur et extérieur)
- Encadrement de portes et fenêtres
- Montants de porte
- Plinthes
- Moulure couronnée
- Ébénisterie
- Moulures de plinthes et cimaises
- Moulures
- Escaliers
- Cadres de portes et fenêtres
- Protections murales
- Coffrages
- Planchers en bois
- Panneautage
- Fabrication de meubles

## AGRAFE POUR COURROIE

Voir la figure 1, page 12.

L'agrafe pour courroie peut être installée du côté gauche ou droit de la cloueuse, selon les préférences de l'utilisateur.

- Aligner l'agrafe pour courroie et la vis avec l'orifice pour vis droit ou gauche.
- Utiliser un tournevis à tête cruciforme (non fourni) pour visser fermement.

## INSTALLATION/RETRAIT DU BLOC-PILES

Voir les figures 2, page 12.

### Installation le bloc-piles :

- Aligner la nervure du bloc-piles sur la rainure intérieure de la perceuse.
- S'assurer que ses deux loquets latéraux s'engagent correctement et vérifier que le bloc-piles est bien fixé avant d'utiliser l'outil.

**NOTE :** Presser l'interrupteur d'éclairage DEL sur la prise pour réactiver la cloueuse.

### Retirer le bloc-piles :

- Appuyer sur les deux loquets se trouvant sur les côtés du bloc-piles pour le retirer de l'outil.

Pour prendre connaissance des consignes de chargement, consulter le manuel d'utilisation des piles et des chargeurs.

## COUSSINET DE PROTECTION

Voir la figure 3, page 12.

Le coussinet de protection empêche de marquer ou d'érafler les bois tendres.

### Retrait/remplacement de la coussinet:

- Retirer le bloc-piles.
- Retirer coussinet en le tirant vers le bas et en l'éloignant du nez.
- Pour remettre le coussinet en place, le placer sur le nez et le pousser vers le haut pour le fixer.

Un compartiment de rangement du coussinet est prévu sur le magasin de l'outil. Ce compartiment contient un coussinet de rechange.

## CHARGEMENT DES CLOUS À PARQUET

Voir les figures 4 et 5, page 12.

## **AVERTISSEMENT :**

Utiliser exclusivement les agrafes recommandées pour cet outil. L'usage d'autres agrafes peut causer un mauvais fonctionnement de l'outil, susceptible d'entraîner des blessures graves.

## **AVERTISSEMENT :**

Veiller à ne pointer l'outil ni vers soi, ni vers d'autres personnes lors du chargement de clous. Ne pas prendre cette précaution pourrait entraîner des blessures graves.

- Retirer le bloc-piles, s'il est installé.
- Tenir l'outil à l'envers en pointant le nez vers le haut et loin du corps.
- Appuyer sur le bouton de dégagement du magasin situé à l'arrière du magasin et glisser le couvercle pour ouvrir le magasin.
- Glisser les agrafes dans la rainure en positionnant les pointes vers le haut et la couronne sur la rainure.
- Pousser le couvercle du magasin pour fermer. S'assurer que le magasin est correctement enclenché.
- Installer la pile et réactiver l'outil en appuyant sur l'interrupteur du témoin situé sur la prise.

# UTILISATION

## RETRAIT DE CLOUS DE L'OUTIL

- Retirer le bloc-piles.
- Presser le bouton de dégagement du magasin.
- Retirer les agrafes et fermer le magasin.

## RÉGLAGE DE LA PRESSION D'AIR

Voir la figure 6, page 13.

Le réglage de pression d'air dépend de la dimension des clous et du type de matériau à clouer.

Commencer par vérifier la profondeur d'enfoncement en enfonçant l'un des clous dans un morceau du même bois que la pièce à clouer.

- Retirer le bloc-piles, s'il est installé.
- Tourner le cadran de pression d'air vers la droite pour augmenter la pression d'air ou vers la gauche pour diminuer la pression d'air.

Il est possible d'obtenir la profondeur désirée simplement en réglant la pression d'air. Si des réglages fins sont nécessaires, utiliser le réglage de profondeur d'enfoncement de l'outil.

**NOTE :** Sous certaines conditions, il est possible que l'outil ne tire pas de clou si le cadran de pression d'air est tourné vers le réglage de pression MAXIMALE. L'utilisateur devra diminuer le réglage de pression selon le fonctionnement désiré.

## RÉGLAGE DE PROFONDEUR

### D'ENFONCEMENT

Voir la figure 7, page 13.

La profondeur d'enfoncement du clou peut être réglée au-delà de la pression d'air. Il est recommandé de faire un essai sur une chute afin de déterminer la profondeur requise pour l'application.

Pour déterminer la profondeur, régler d'abord la pression d'air, puis planter une agrafe. Pour obtenir la profondeur nécessaire, utiliser le réglage de profondeur d'enfoncement de l'outil. Les matériaux plus durs et des clous plus longs nécessiteront une force d'enfoncement plus grande du clou.

- Retirer le bloc-piles, s'il est installé.
- Tourner le réglage de profondeur d'enfoncement gauche ou droit pour modifier la profondeur d'enfoncement.
- Installer la pile et réactiver l'outil en appuyant sur l'interrupteur du témoin situé sur la prise.
- Faire un essai d'enfoncement d'un clou après chaque réglage, jusqu'à ce que la profondeur désirée soit obtenue.

**NOTE :** Régler la profondeur d'enfoncement selon la profondeur minimale qui conviendra au travail à effectuer.

## ENFONCEMENT DES CLOUS À PARQUET

Voir les figures 8 et 9, page 13.

### AVERTISSEMENT :

Ne jamais caler ou bloquer le mécanisme de sûreté de déclenchement par contact pendant que l'outil est en fonctionnement. Cela pourrait entraîner des blessures graves.

Le sélecteur de mode permet de choisir entre un mode de déclenchement séquentiel simple permettant un positionnement précis du clou ou le mode de déclenchement par contact permettant une productivité accrue.

L'outil enfoncera un clou chaque fois que la gâchette est appuyée et tant que le contact de déclenchement est enfoncé.

### Déclenchement par séquence unique :

Le mode de déclenchement par séquence unique permet le placement le plus précis des agrafes.

- Retirer le bloc-piles, s'il est installé.
- Glisser le sélecteur à la position (T).

### AVERTISSEMENT :

La cloueuse ne fonctionnera pas correctement si le sélecteur n'est pas positionné fermement sur (T) ou (TTT). Toujours s'assurer que le sélecteur est positionné correctement afin d'éviter un tir accidentel du clou et les risques de blessures graves.

- Réinstallez le bloc-pile et réactiver la cloueuse.
- Saisir l'outil fermement pour maintenir le contrôle. Placer la tête de l'outil contre la pièce à clouer.
- Appuyer l'outil contre la pièce àagrafer pour actionner le dispositif de déclenchement par contact.
- Appuyer sur la gâchette pour tirer une agrafe.  
**NOTE:** Tenez la gâchette jusqu'à ce cycle d'entraînement est terminée.
- Toujours retirer son doigt de la gâchette dès que la quantité de clous désirée est enfoncée.

# UTILISATION

## Déclenchement par contact :

Le déclenchement par contact permet de planter un grand nombre de clous très rapidement.

- Retirer le bloc-piles, s'il est installé.
- Glisser le sélecteur sur la position (TTT).
- Réinstallez le bloc-pile, réactiver la cloueuse.
- Saisir l'outil fermement pour maintenir le contrôle.
- Appuyer sur la gâchette et la maintenir enfoncée. Appuyer l'outil contre la pièce à clouer pour actionner le dispositif de déclenchement par contact et planter un clou.
- Soulever l'outil de la surface à agraffer pour tirer une autre agrafe.

**NOTE:** Tenez la gâchette jusqu'à ce cycle d'entraînement est terminée.

- Toujours retirer son doigt de la gâchette dès que la quantité de clous désirée est enfoncée.

**NOTE :** En mode de déclenchement par contact, les clous peuvent également être plantés en appuyant la tête de l'outil sur la pièce et en pressant la gâchette.

## VERROUILLAGE DE TIR À VIDE

La caractéristique de verrouillage de tir à vide empêche l'outil de fonctionner lorsque le niveau d'agrafes du magasin est bas.

Le hublot témoin de charge du magasin indique le nombre d'agrafes contenues dans l'outil.

Lorsqu'il ne reste que 0 à 5 agrafes dans le magasin, le verrouillage de tir à vide empêchera de poursuivre le travail.

Pour continuer le travail, chargez des agrafes dans l'outil.

## RÈGLE GRADUÉE

Une règle graduée, située sur le côté gauche de l'outil, permet à l'opérateur de prendre rapidement des mesures pendant le travail.

## TÉMOINS DEL/ DIAGNOSTIC RÉTROACTIF

Voir la figure 10, page 13.

Les témoins DEL offrent une rétroaction indiquant la charge suffisante du bloc-piles et le fonctionnement adéquat de l'outil.

Pour éteindre les témoins, appuyer sur l'interrupteur de témoin DEL sur la poignée tout en maintenant fermement l'outil en position de travail.

Installer une pile complètement chargée lorsque les témoins clignotent. Si le clignotement du témoin n'est pas interrompu, consulter le chapitre Dépannage pour obtenir plus de détails.

## RETRAIT D'UN CLOU À PARQUET COINCÉ

Voir la figure 11, page 13.



### AVERTISSEMENT :

Retirer le bloc-piles avant de retirer ou de dégager les clous. Ne pas prendre cette précaution peut causer des blessures graves.

- Retirer le bloc-piles de l'outil.
- Ouvrir le magasin et retirer les agrafes.
- Insérer un tournevis à lame plate dans le mécanisme d'entraînement et pousser ce dernier vers l'arrière, pour libérer l'agrafe bloquée.
- Retirer le agrafe plié.
- Insérer des clous et fermer le magasin.
- Réinstaller la pile et réactiver l'outil.

**NOTE :** Un enfoncement trop profond dans le matériau, une quantité excessive de débris ou des clous coincés peuvent provoquer le blocage de la lame d'entraînement vers le bas.

# ENTRETIEN

## AVERTISSEMENT :

Utiliser exclusivement des pièces d'origine pour les réparations. L'usage de toute autre pièce pourrait créer une situation dangereuse ou endommager l'outil.

## ENTRETIEN GÉNÉRAL

Éviter d'utiliser des solvants pour le nettoyage des pièces en plastique. La plupart des matières plastiques peuvent être endommagées par divers types de solvants du commerce. Utiliser un chiffon propre pour éliminer la saleté, la poussière, l'huile, la graisse, etc.

# DÉPANNAGE

| PROBLÈME   | CAUSE POSSIBLE  | SOLUTION  |
|--|---|---|
| La pièce de déclenchement par contact n'est pas complètement enfoncée - l'outil ne fonctionne pas  | Quantité faible de clous<br>La pièce de déclenchement par contact est bloquée   | Recharger des clous<br>Retirer la pile et déloger les débris  |
| L'outil fonctionne correctement, mais les pièces de fixation ne s'enfoncent pas complètement   | La pression d'air est trop faible<br>La distance d'enfoncement n'est pas assez grande<br>Le clou est trop long et ne convient pas à la dureté du bois | Augmenter la pression d'air<br>Régler la profondeur d'enfoncement<br>Utiliser une longueur de clou selon le bois à clouer |
| L'outil fonctionne correctement, mais les pièces de fixation s'enfoncent trop  | La pression d'air est trop élevée<br>La distance d'enfoncement est trop profonde  | Diminuer la pression d'air.<br>Régler la profondeur d'enfoncement   |
| L'outil se bloque fréquemment  | Clous de type incorrects<br>Clous endommagés<br>Magasin desserré<br>Magasin encrassé  | S'assurer que les clous sont de taille correcte.<br>Remplacer les clous<br>Serrer les vis<br>Nettoyer le magasin          |
| L'outil s'arrête et les témoins DEL clignotent rapidement  | La pile est faible ou épuisée<br>L'outil est chaud  | Recharger les piles<br>Laisser refroidir l'outil  |
| Outil a chargé la pile et LED clignote lentement ou sont les LED ne s'éteint pas après approximativement dix secondes de non-utilisation | L'outil n'a pas fonctionné correctement   | Apporter l'outil au Centre de réparations autorisé le plus près   |

**NOTE : ILLUSTRATIONS COMMENÇANT SUR 12 DE PAGE APRÈS LE SECTION ESPAGNOL.**

# ADVERTENCIAS DE SEGURIDAD GENERALES PARA LA HERRAMIENTA ELÉCTRICA



## ADVERTENCIA

Lea todas las advertencias de seguridad y las instrucciones. El incumplimiento de las advertencias e instrucciones puede ocasionar descarga eléctrica, fuego o lesiones graves.

Guarde todas las advertencias e instrucciones para futuras consultas. El término “herramienta eléctrica” empleado en todos los avisos de advertencia enumerados abajo se refiere a las herramientas eléctricas de cordón (alámbricas) y de baterías (inalámbricas).

## SEGURIDAD EN EL ÁREA DE TRABAJO

- **Mantenga limpia y bien iluminada el área de trabajo.** Un área de trabajo mal despejada o mal iluminada propicia accidentes.
- **No utilice herramientas motorizadas en atmósferas explosivas, como las existentes alrededor de líquidos, gases y polvos inflamables.** Las herramientas eléctricas generan chispas que pueden encender el polvo y los vapores inflamables.
- **Mantenga alejados a los niños y circunstancias al maniobrar una herramienta eléctrica.** Toda distracción puede causar pérdida del control de la herramienta.

## SEGURIDAD ELÉCTRICA

- **Las clavijas de las herramientas eléctricas deben corresponder a las tomas de corriente donde se conectan. Nunca modifique la clavija de ninguna forma. No utilice ninguna clavija adaptadora con herramientas eléctricas dotadas de contacto a tierra.** Conectando las clavijas originales en las tomas de corriente donde corresponden se disminuye el riesgo de una descarga eléctrica.
- **Evite el contacto del cuerpo con las superficies de objetos que estén haciendo tierra o estén conectados a ésta, como tuberías, radiadores, estufas y refrigeradores.** Existe un mayor riesgo de descargas eléctricas si el cuerpo está haciendo tierra.
- **No exponga las herramientas eléctricas a la lluvia ni a condiciones de humedad.** La introducción de agua en una herramienta eléctrica aumenta el riesgo de descargas eléctricas.
- **No maltrate el cordón eléctrico. Nunca utilice el cordón para trasladar, desconectar o tirar de la herramienta eléctrica. Mantenga el cordón alejado del calor, del aceite, de bordes afilados y de piezas móviles.** Los cordones eléctricos dañados o enredados aumentan el riesgo de descargas eléctricas.
- **Al utilizar una herramienta eléctrica a la intemperie, use un cordón de extensión apropiado para el exterior.** Usando un cordón adecuado para el exterior se disminuye el riesgo de descargas eléctricas.
- **Si debe operar una herramienta en lugares húmedos, use un suministro protegido por un interruptor de circuito con pérdida a tierra (GFCI).** El uso de un GFCI reduce el riesgo de descargas eléctricas.
- **Cargue las baterías solamente con el cargador indicado. Para utilizar con paquetes de baterías de níquel-cadmio de 18 V o de iones de litio de 18 V, consulte el folleto de la herramienta/aparato/paquete de baterías/cargador complementario 987000-432.**

## SEGURIDAD PERSONAL

- **Permanezca alerta, preste atención a lo que esté haciendo y aplique el sentido común al utilizar herramientas eléctricas. No utilice la herramienta eléctrica si está cansado o se encuentra bajo los efectos de alguna droga, alcohol o medicamento.** Un momento de inatención al utilizar una herramienta eléctrica puede causar lesiones corporales serias.
- **Use equipo de seguridad. Siempre póngase protección ocular.** El uso de equipo de seguridad como mascarilla para el polvo, calzado de seguridad, casco y protección para los oídos en las circunstancias donde corresponda disminuye el riesgo de lesiones.
- **Evite un arranque accidental de la unidad. Asegúrese de que el interruptor esté en la posición de apagado antes de conectar la herramienta.** Portar las herramientas eléctricas con el dedo en el interruptor, o conectarlas con el interruptor puesto, propicia accidentes.
- **Retire toda llave o herramienta de ajuste antes de encender la herramienta eléctrica.** Toda llave o herramienta de ajuste dejada en una pieza giratoria de la herramienta eléctrica puede causar lesiones.
- **No estire el cuerpo para alcanzar mayor distancia. Mantenga una postura firme y buen equilibrio en todo momento.** De esta manera se logra un mejor control de la herramienta eléctrica en situaciones inesperadas.
- **Vístase adecuadamente. No vista ropas holgadas ni joyas. Mantenga el cabello, la ropa y los guantes alejados de las piezas móviles.** Las ropas holgadas, las joyas y el cabello largo pueden engancharse en las piezas móviles.
- **Si se suministran dispositivos para conectar mangueras de extracción y captación de polvo, asegúrese de que éstas estén bien conectadas y se usen correctamente.** La utilización de captador de polvo puede disminuir los peligros relacionados con el polvo.
- **No vista ropas holgadas ni joyas. Recójase el cabello si está largo.** Las ropas holgadas y las joyas, así como el cabello largo, pueden resultar atraídas hacia el interior de las aberturas de ventilación.
- **No utilice la unidad al estar en una escalera o en un soporte inestable.** Una postura estable sobre una superficie sólida permite un mejor control de la herramienta eléctrica en situaciones inesperadas.

## EMPLEO Y CUIDADO DE LA HERRAMIENTA ELÉCTRICA

- **No fuerce la herramienta eléctrica. Utilice la herramienta eléctrica adecuada para cada trabajo.** La herramienta eléctrica adecuada efectúa mejor y de manera más segura el trabajo, si además se maneja a la velocidad para la que está diseñada.
- **No utilice la herramienta si el interruptor no enciende o no apaga.** Cualquier herramienta eléctrica que no pueda controlarse con el interruptor es peligrosa y debe repararse.
- **Desconecte la clavija del suministro de corriente o retire el paquete de baterías de la herramienta eléctrica, según sea el caso, antes de efectuarle cualquier ajuste, cambiarle accesorios o guardarla.** Tales medidas preventivas de seguridad reducen el riesgo de poner en marcha accidentalmente la herramienta.
- **Guarde las herramientas eléctricas desocupadas fuera del alcance de los niños y no permita que las utilicen personas no familiarizadas con las mismas o con estas instrucciones.**

# ADVERTENCIAS DE SEGURIDAD GENERALES PARA LA HERRAMIENTA ELÉCTRICA

Las herramientas eléctricas son peligrosas en manos de personas no capacitadas en el uso de las mismas.

- **Preste servicio a las herramientas eléctricas. Revise para ver si hay desalineación o atoramiento de piezas móviles, ruptura de piezas o cualquier otra condición que pueda afectar el funcionamiento de la herramienta. Si está dañada la herramienta eléctrica, permita que la reparen antes de usarla.** Numerosos accidentes son causados por herramientas eléctricas mal cuidadas.
- **Mantenga las herramientas de corte afiladas y limpias.** Las herramientas de corte bien cuidadas y con bordes bien afilados, tienen menos probabilidad de atascarse en la pieza de trabajo y son más fáciles de controlar.
- **Utilice la herramienta eléctrica, los accesorios y brocas, hojas y cuchillas de corte, ruedas de esmeril, etc. de conformidad con estas instrucciones, tomando en cuenta las condiciones de trabajo y la tarea por realizar.** Si se utiliza la herramienta eléctrica para operaciones diferentes de las indicadas podría originar una situación peligrosa.

## EMPLEO Y CUIDADO DE LA HERRAMIENTA DE BATERÍAS

- **Sólo cargue el paquete de baterías con el cargador especificado por el fabricante.** Un cargador adecuado para un tipo paquete de baterías puede significar un riesgo de incendio si se emplea con un paquete de baterías diferente.

- **Utilice las herramientas eléctricas sólo con los paquetes de baterías específicamente indicados.** El empleo de paquetes de baterías diferentes puede presentar un riesgo de incendio.
- **Cuando no esté utilizándose el paquete de baterías, manténgalo lejos de otros objetos metálicos, como clips, monedas, llaves, clavos, tornillos o otros objetos metálicos, pequeños que puedan establecer conexión entre ambas terminales.** Establecer una conexión directa entre las dos terminales de las baterías puede causar quemaduras o incendios.
- **Si se maltratan las baterías, puede derramarse líquido de las mismas; evite todo contacto con éste. En caso de contacto, lávese con agua. Si el líquido llega a tocar los ojos, además busque atención médica.** El líquido de las baterías puede causar irritación y quemaduras.

## SERVICIO

- **Permita que un técnico de reparación calificado preste servicio a la herramienta eléctrica, y sólo con piezas de repuesto idénticas.** De esta manera se mantiene la seguridad de la herramienta eléctrica.
- **Al dar servicio a una herramienta eléctrica, sólo utilice piezas de repuesto idénticas. Siga las instrucciones señaladas en la sección Mantenimiento de este manual.** El empleo de piezas no autorizadas o el incumplimiento de las instrucciones de mantenimiento puede significar un riesgo de descarga eléctrica o de lesiones.

# ADVERTENCIAS DE SEGURIDAD DE GRAPADORA DE PUNTILLAS

- **Siempre suponga que la herramienta contiene sujetadores (clavos o grapas, según sea el caso).** El manejo descuidado de la clavadora puede hacer que se accione el gatillo inesperadamente y que se disparen sujetadores que podrían causar lesiones personales.
- **No apunte la herramienta hacia su cuerpo ni hacia otra persona que se encuentre cerca.** Un accionamiento inesperado del gatillo disparará el sujetador y eso causará lesiones.
- **No accione la herramienta a menos que esté firmemente colocada contra la pieza de trabajo.** Si la herramienta no entra en contacto con la pieza de trabajo, el sujetador puede desviarse.
- **Desconecte la herramienta de la fuente de alimentación cuando los atascos de sujeción de la herramienta.** Al retirar un sujetador atascado, el atacante puede ser activado accidentalmente si está enchufado.
- **Sea precavido al retirar el sujetador atascado.** El mecanismo puede encontrarse sometido a compresión y el sujetador podría salir disparado con fuerza al tratar de arreglar un atascamiento.
- **No utilice esta clavadora para sujetar cables de electricidad.** No está diseñada para la instalación de cables de electricidad y puede dañar el aislamiento de los cables y causar descargas eléctricas o riesgo de incendio.
- **Sujete la herramienta eléctrica por las superficies aisladas de sujeción al efectuar una operación en la cual el sujetador pueda entrar en contacto con cables ocultos.** Si los sujetadores tocan cables con corriente, las piezas metálicas expuestas de la herramienta eléctrica pueden transportar corriente y ocasionar así una descarga eléctrica al operador.
- **Familiarícese con su herramienta eléctrica. Lea cuidadosamente el manual del operador. Aprenda sus usos y limitaciones, así como los posibles peligros específicos de esta herramienta eléctrica.** Con el cumplimiento de esta regla se reduce el riesgo de una descarga eléctrica, incendio o lesión seria.
- **Siempre póngase protección ocular con protección lateral con la marca de cumplimiento de la norma ANSI Z87.1.** Los anteojos comunes solo tienen lentes resistentes a los impactos. No son gafas de seguridad. Con el cumplimiento de esta regla se reduce el riesgo de lesiones corporales serias.
- **Al cargar, utilizar y dar servicio a esta herramienta, el operador y demás personas SIEMPRE deben llevar puesta protección ocular que cumpla con las especificaciones ANSI y ofrezca protección contra partículas que salgan disparadas del FRENTE y de los LADOS.** Se requiere protección ocular como protección contra sujetadores y desechos que salgan disparados, los cuales pueden causar lesiones oculares serias.

# ADVERTENCIAS DE SEGURIDAD DE GRAPADORA DE PUNTILLAS

- **Tanto el patrón como el operador deben asegurarse de que se use protección ocular adecuada.** Recomendamos la careta protectora de visión amplia encima de los anteojos normales o de los anteojos de seguridad que ofrecen protección frontal y lateral contra partículas que salen disparadas. Siempre póngase protección ocular con la marca de cumplimiento de la norma ANSI Z87.1.
- **En algunos entornos se requiere protección adicional.** Por ejemplo, en el área de trabajo puede haber exposición a un nivel de ruido que puede dañar el oído. El patrón y el operador deben asegurarse de contar con toda la protección auditiva necesaria y de que sea usada por el operador mismo y demás personas presentes en el área de trabajo. En algunos entornos se requiere el uso de equipo de protección para la cabeza. Cuando se requiera, el patrón y el operador deben asegurarse de que la protección usada para la cabeza cumpla con la norma ANSI Z89.1-1997.
- **Protéjase los pulmones. Use una careta o mascarilla contra el polvo si la operación genera mucho polvo.** Con el cumplimiento de esta regla se reduce el riesgo de lesiones serias.
- **Protéjase los oídos. Durante períodos prolongados de utilización del producto, póngase protección para los oídos.** Con el cumplimiento de esta regla se reduce el riesgo de lesiones corporales serias.
- **No se necesita conectar a una toma de corriente las herramientas de baterías; por lo tanto, siempre están en condiciones de funcionamiento. Esté consciente de los posibles peligros cuando no esté usando la herramienta de baterías o cuando esté cambiando los accesorios de la misma.** Con el cumplimiento de esta regla se reduce el riesgo de una descarga eléctrica, incendio o lesión corporal seria.
- **No coloque herramientas de baterías ni las baterías mismas cerca del fuego o del calor.** De esta manera se reduce el riesgo de explosiones y de lesiones.
- **Solamente utilice esta herramienta para el propósito especificado.** No dispare sujetadores al aire.
- **Use la herramienta neumática solamente para el propósito para el que fue diseñada.** Con el cumplimiento de esta regla se reduce el riesgo de una descarga eléctrica, incendio o lesión corporal seria.
- **Solamente utilice los sujetadores recomendados para esta herramienta.** El uso de los sujetadores incorrectos podría hacer que los sujetadores no avancen bien, que se atoren y que los clavos no salgan de la herramienta siempre al mismo ángulo. Si los sujetadores no avanzan de manera uniforme y correcta, interrumpa su uso de inmediato. Los sujetadores atorados que avanzan de manera incorrecta pueden provocar lesiones serias.
- **Nunca utilice esta herramienta de ninguna forma que pueda dirigir un sujetador hacia ninguna otra cosa que no sea la pieza de trabajo.**
- **No use la herramienta como martillo.**

- **Siempre porte la herramienta por el mango.**
- **No altere ni modifique esta herramienta con respecto al diseño o funcionamiento original sin la aprobación del fabricante.**
- **Siempre tenga presente que el uso y manejo indebidos de esta herramienta puede causarles lesiones a usted y a otras personas.**
- **Nunca sujete con prensa o cinta adhesiva el gatillo ni el disparador de contacto en la posición de accionamiento.**
- **Nunca deje desatendida ninguna herramienta con la batería instalada.**
- **No utilice esta herramienta si no tiene una etiqueta de advertencia.**

## FUNCIONAMIENTO

- **No utilice la herramienta si no funciona correctamente el gatillo.** Una herramienta que no pueda controlarse con el gatillo es peligrosa y debe repararse.
- **Verifique con frecuencia el funcionamiento del mecanismo del disparador de contacto.** No use la herramienta si no está funcionando correctamente el mecanismo del disparador de contacto, ya que puede causarse por accidente el disparo de un sujetador. No interfiera en el funcionamiento normal del mecanismo del disparador de contacto.
- **Sólo utilice los sujetadores recomendados para cada modelo en particular.**
- **Siempre suponga que la herramienta contiene sujetadores.**
- **No traslade la herramienta de un lugar a otro con el dedo en el gatillo.** Podría producirse un disparo accidental.
- **Siempre maneje con cuidado la herramienta:**
  - Respete la herramienta como un elemento de trabajo.
  - Nunca participe en jugueteos.
  - Nunca tire del gatillo a menos que la punta de la herramienta esté dirigida hacia la superficie de trabajo.
  - Mantenga a las demás personas a una distancia segura de la herramienta mientras esté utilizándose ésta ya que puede ocurrir un accionamiento accidental de la misma, y posibles lesiones.
- **Es importante el método de disparo elegido. Estudie el manual, en el cual se describen las diferentes formas de disparar.**
- **Las herramientas están diseñadas para usarlas con una sola mano.** No sujete la herramienta por el frente del cargador. No ponga las manos, la cabeza ni ninguna otra parte del cuerpo cerca de la parte inferior del cargador, por donde salen los clavos de la herramienta, ya que se pueden producir lesiones serias.
- **No apunte la herramienta hacia usted mismo ni a ninguna otra persona, ya sea que contenga sujetadores o no.**
- **No accione la herramienta a menos que tenga la intención de introducir un sujetador en la pieza de trabajo.**
- **Siempre asegúrese de que el elemento de contacto con la pieza de trabajo esté totalmente colocada encima de**



# ADVERTENCIAS DE SEGURIDAD DE GRAPADORA DE PUNTILLAS

**ella.** Colocar el elemento de contacto con la pieza de trabajo solamente de manera parcial encima de ella podría causar que el sujetador no se introduzca en la pieza de trabajo por completo y provoque lesiones serias.

- **No introduzca clavos cerca del borde del material.** La pieza de trabajo puede partirse y causar que el clavo rebote y lesione a un compañero de trabajo. Tenga presente que el clavo puede seguir la fibra de la madera y salir inesperadamente por un lado de la pieza de trabajo.
- **Mantenga las manos y todas las partes del cuerpo lejos del área de trabajo inmediata.** Sujete firmemente la pieza de trabajo con prensas de mano cuando sea necesario para proteger las manos y el cuerpo de todo posible peligro. Asegúrese de que la pieza de trabajo esté debidamente asegurada antes de presionar la clavadora contra el material. El disparador de contacto puede causar un movimiento inesperado de la pieza de trabajo.
- **Mantenga la cara y las demás partes del cuerpo lejos de la tapa de la herramienta al trabajar en espacios limitados.** En una retracción súbita la herramienta puede golpear el cuerpo, especialmente al clavar en material duro o denso.
- **Durante el uso normal de la herramienta, ésta se retrae de inmediato después de introducir un sujetador. Así es el funcionamiento normal de la herramienta.** No intente impedir la retracción presionando la clavadora contra la pieza de trabajo. Toda restricción impuesta a la retracción puede producir la impulsión de un segundo sujetador en la clavadora. Sujete firmemente el mango, permita a la

herramienta que haga el trabajo y no coloque la otra mano encima de la herramienta ni cerca del escape de aire en ningún momento. La inobservancia de esta advertencia puede causar lesiones corporales serias.

- **No introduzca sujetadores encima de otros, ni con la herramienta a un ángulo excesivamente pronunciado, ya que esto puede causar la desviación de los sujetadores y con ello posibles lesiones.**

## CÓMO CARGAR LA HERRAMIENTA

- **No cargue los sujetadores en la herramienta cuando esté activado cualquiera de los controles de operación de la misma.**

**Al cargar la herramienta:**

- **Nunca coloque las manos ni ninguna parte del cuerpo en el área de la herramienta donde sale disparado el sujetador (clavo o grapa, según sea el caso).**
- **Nunca apunte la herramienta a nadie.**
- **No tire del gatillo ni oprima el disparador de contacto, ya que puede accionarse accidentalmente la herramienta y causar lesiones.** salir inesperadamente por un lado de la pieza de trabajo.

## GUARDE ESTAS INSTRUCCIONES

- **Consúltelas con frecuencia y empléelas para instruir a otras personas que puedan utilizar esta herramienta. Si presta a alguien esta herramienta, facilítele también las instrucciones.**

## CALIFORNIA - PROPUESTA DE LEY NÚM. 65



### ADVERTENCIA:

Este product y el polvo que crea pueden contener productos químicos, como plomo, que en el estado de California se reconocen como cancerígenos o causantes de defectos de nacimiento u otros daños reproductivos. **Lávese las manos después de utilizar el aparato.**




Algunos ejemplos de estas sustancias químicas son:

- plomo de las pinturas a base de plomo,
- silicio cristalino de los ladrillos, del cemento y de otros productos de albañilería, y
- arsénico y cromo de la madera químicamente tratada.







El riesgo de la exposición a estos compuestos varía, según la frecuencia con que se realice este tipo de trabajo. Para reducir la exposición personal, trabaje en áreas bien ventiladas, y con equipo de seguridad aprobado, tal como las caretas para el polvo especialmente diseñadas para filtrar partículas microscópicas.

# SÍMBOLOS

Las siguientes palabras de señalización y sus significados tienen el objeto de explicar los niveles de riesgo relacionados con este producto.

| SÍMBOLO   | SEÑAL               | SIGNIFICADO  |
|---|---------------------|--|
|  | <b>PELIGRO:</b>     | Indica una situación peligrosa inminente, la cual, si no se evita, causará la muerte o lesiones serias.  |
|  | <b>ADVERTENCIA:</b> | Indica una situación peligrosa posible, la cual, si no se evita, podría causar la muerte o lesiones serias.  |
|  | <b>PRECAUCIÓN:</b>  | Indica una situación peligrosa posible, la cual, si no se evita, podría causar lesiones menores o leves.   |
|   | <b>AVISO:</b>       | (Sin el símbolo de alerta de seguridad) Indica información importante no relacionada con ningún peligro de lesiones, como una situación que puede ocasionar daños físicos. |

Es posible que se empleen en este producto algunos de los siguientes símbolos. Le suplicamos estudiarlos y aprender su significado. Una correcta interpretación de estos símbolos le permitirá utilizar mejor y de manera más segura el producto.

| SÍMBOLO   | NOMBRE                        | DENOMINACIÓN/EXPLICACIÓN  |
|---|-------------------------------|---|
|    | Alerta de seguridad           | Indica un peligro posible de lesiones personales.   |
|   | Lea el manual del operador    | Para reducir el riesgo de lesiones, el usuario debe leer y comprender el manual del operador antes de usar este producto.   |
|  | Protección ocular             | Siempre póngase protección ocular con protección lateral con la marca de cumplimiento de la norma ANSI Z87.1.   |
|  | Mantenga lejos las manos      | Mantenga las manos y el resto del cuerpo lejos del área de la herramienta por donde sale disparado el sujetador.  |
|  | Alerta de condiciones húmedas | No exponga la unidad a la lluvia ni la use en lugares húmedos.  |
|  | Símbolos de reciclado         | Este producto contiene baterías de níquel-cadmio (Ni-Cd) y iones de litio (Li-ion). Es posible que algunas leyes municipales, estatales o federales prohíban desechar las baterías de níquel-cadmio en la basura normal. Consulte a las autoridades reguladoras de desechos para obtener información en relación con las alternativas de reciclado y desecho disponibles. |
| V   | Volts                         | Voltaje   |
| min   | Minutos                       | Tiempo  |
| ==  | Corriente continua            | Tipo o característica de corriente  |
| $n_0$   | Velocidad en vacío            | Velocidad de rotación, en vacío   |
| .../min   | Por minuto                    | Revoluciones, carreras, velocidad superficial, órbitas, etc., por minuto  |

# GLOSARIO DE TÉRMINOS

## Activar (los controles de accionamiento)

Es mover un control de accionamiento de manera que quede en una posición en la cual se accione la herramienta o cumpla con un requisito necesario para accionar la misma.

## Accionar (la herramienta)

Es producir el movimiento de los componentes de la herramienta específicos para introducir un sujetador (clavo o grapa, según sea el caso).

## Sistema de accionamiento

Es el gatillo, el disparador de contacto o cualquier otro control de accionamiento, empleado(s) por separado o en alguna combinación o secuencia, para accionar la herramienta.

- **Accionamiento secuencial sencillo**

Es un sistema de accionamiento en el cual hay más de un control de accionamiento y éstos deben ser activados en una secuencia específica para accionar la herramienta. Puede ocurrir un accionamiento adicional cuando un control de accionamiento específico, que no sea el disparador de contacto, se suelta y se vuelve a activar.

- **Accionamiento por contacto**

Es un sistema de accionamiento en el cual hay más de un control de accionamiento y éstos pueden ser activados en cualquier secuencia para accionar la herramienta. Puede ocurrir un accionamiento adicional cuando cualquier control de accionamiento se suelta y se vuelve a activar.

## Sujetador

Es una grapa, clavo, puntilla o cualquier otra pieza de unión diseñada y fabricada para utilizarse en las herramientas de este tipo.

## Atoramiento

Es una obstrucción en las zonas de alimentación o introducción de sujetadores (clavos o grapas, según sea el caso) de la herramienta.

## Control de accionamiento

Es un control que, por separado o como parte de un sistema de accionamiento de una herramienta, sirve para accionarla.

## Gatillo

Es un control de accionamiento de una herramienta el cual maneja con los dedos el operador.

## Pieza de trabajo

Es el objeto específico en el cual se introduce un sujetador (clavo o grapa, según sea el caso) con una herramienta.

## Disparador de contacto

Es un elemento de control de accionamiento o un conjunto de tales elementos, el cual es activado al tocar el material en el que va a introducirse el sujetador.

# CARACTERÍSTICAS

## ESPECIFICACIONES DEL PRODUCTO

Capacidad del cargador..... 105 grapadoras  
Velocidad de la grapadora .....hasta 60 disparos/min.

Tamaño de las grapas .....  
Grapadora de corona angosta 1/4 pulg.  
Longitud de grapadora.....3/8 a 1-1/2 pulg.

# ARMADO

### **ADVERTENCIA:**

No use este producto si no está totalmente ensamblado o si alguna pieza falta o está dañada. El uso de un producto que no está adecuadamente y completamente ensamblado o posee partes dañadas o faltantes puede resultar en lesiones personales graves.

### **ADVERTENCIA:**

No intente modificar este producto ni crear aditamentos o accesorios que no estén recomendados para usar con este producto. Dichas alteraciones o modificaciones constituyen un uso indebido y podrían provocar una situación de riesgo que cause posibles lesiones personales graves.

Si hay piezas dañadas o faltantes, le suplicamos llamar al 1-800-525-2579, donde le brindaremos asistencia.

# FUNCIONAMIENTO

## ADVERTENCIA:

No permita que su familiarización con las herramientas lo vuelva descuidado. Tenga presente que un descuido de un instante es suficiente para causar una lesión grave.

## ADVERTENCIA:

Siempre retire el paquete de baterías de la herramienta cuando esté ensamblando partes, realizando ajustes, limpiando o cuando ésta no esté en uso. Retirando el paquete de baterías se evita arrancar accidentalmente la unidad, lo cual puede causar lesiones serias.

## ADVERTENCIA:

Siempre póngase protección ocular con protección lateral con la marca de cumplimiento de la norma ANSI Z87.1. Si no cumple esta advertencia, los objetos que salen despedidos pueden producirle lesiones serias en los ojos.

## APLICACIONES

Esta producto puede emplearse para los fines siguientes:

- Acabado y ornamentación (interior y exterior)
- Marcos de puertas y ventanas
- Jambas de puertas
- Rodapiés
- Molduras de corona
- Ebanistería
- Molduras de dinteles y umbrales
- Molduras
- Escaleras
- Ornamentación de puertas y ventanas
- Guardasillas
- Moldura entre marco y hormigón
- Pisos de madera
- Paneles
- Mobiliario

## CONECTAR EL CLIP DEL CINTURÓN

Vea la figura 1, página 12.

El clip del cinturón se puede colocar del lado izquierdo o derecho de la clavadora, según la preferencia del operador.

- Alinee el clip del cinturón y el tornillo con el orificio para el tornillo del lado izquierdo o derecho.
- Utilice un destornillador de cabeza Phillips (no se incluye) para ajustar firmemente.

## INSTALAR/DESMONTAJE DEL PAQUETE DE BATERÍAS

Vea la figura 2, página 12.

### Para instalar el paquete de baterías:

- Alinee la costilla realizada del paquete de baterías con la ranura situada en el interior de la herramienta.

- Asegúrese de que los pestillos situados en ambos lados del paquete de baterías entren completamente en su lugar con un chasquido, y de que el paquete quede bien fijo en el taladro antes de empezar a utilizar éste.

**NOTA:** Apriete el interruptor del mango con luz LED para reactivar la clavadora.

### Desmontar el paquete de baterías:

- Localice los pestillos situados en el paquete de baterías y oprímalo para soltar el paquete de baterías de la herramienta.
- Para ver las instrucciones de carga completas, consulte el manual del operador de los paquetes de baterías y cargadores.

## ALMOHADILLA PROTECTORA

Vea la figura 3, página 12.

La almohadilla protectora montada en la punta de la herramienta evita dañar y marcar las maderas suaves con la herramienta.

- Retire el paquete de baterías.
- Retire la almohadilla jalándola hacia abajo mientras la aleja de la punta.
- Para volver a colocar la almohadilla, acomódela en su lugar sobre la punta de la herramienta y empújela hacia arriba para volver a asentarla.

Hay un lugar para guardar la almohadilla en el cargador de la herramienta. En el área de guardar de la herramienta se suministra una almohadilla protectora adicional.

## CARGA DE LAS PUNTILLAS EN LA HERRAMIENTA

Vea las figuras 4 y 5, páginas 12 - 13.

## ADVERTENCIA:

Solamente utilice las grapas recomendadas para esta herramienta. Si se utilizan otras grapas puede producirse un malfuncionamiento de la herramienta y posibles lesiones serias.

## ADVERTENCIA:

Mantenga la herramienta apuntando en la dirección opuesta a donde se encuentra usted y otras personas mientras carga los clavos. La inobservancia de esta advertencia puede causar lesiones serias.

- Retire el paquete de baterías, si está instalado.
- Sostenga la herramienta invertida con el frente hacia arriba y apuntada lejos de su cuerpo.
- Presione el botón para soltar el cargador que se encuentra en la parte trasera del cargador y deslice la tapa del cargador para abrirlo.
- Coloque grapas en el canal con las puntas de las grapas hacia arriba y la corona apoyada sobre la parte inferior del canal.
- Empuje la tapa del cargador para cerrarlo. Asegúrese de que quede firme en su lugar.
- Réinstalar el paquete de batería y reactive la herramienta presionando el interruptor del mango con luz de trabajo.

# FUNCIONAMIENTO

## CÓMO RETIRAR LOS CLAVOS DE LA HERRAMIENTA

- Retire de la herramienta.
- Presione el botón para soltar el cargador.
- Extraiga los clavos y cierre el cargador.

## AJUSTE DE LA PRESIÓN DE AIRE

Veja la figura 6, página 13.

La cantidad presión de aire requerida depende del tamaño de los clavos y del material de la pieza de trabajo.

Comience por probar la profundidad de penetración introduciendo un clavo de prueba en el mismo tipo de material de la pieza de trabajo que va a usarse en el trabajo real.

- Retire el paquete de baterías, si está instalado.
- Gire el cuadrante de la presión de aire en sentido horario para aumentar la presión de aire, o en sentido antihorario para reducirla.

Puede ser posible lograr la profundidad deseada solamente con ajustes en la presión de aire. Si se necesitan ajustes más finos, use el ajuste de profundidad de penetración de la herramienta.

**NOTA:** En determinadas condiciones, es posible que la unidad no pueda aplicar un clavo cuando se lleve el indicador de presión de aire al ajuste MÁXIMO de presión. Es posible que el usuario deba reducir el ajuste de presión para la operación deseada.

## AJUSTE DE LA PROFUNDIDAD DE PENETRACIÓN

Veja la figura 7, página 13.

La profundidad de penetración de los clavos se puede ajustar no solo mediante la presión de aire. Se recomienda probar la profundidad de penetración en un fragmento de desecho para determinar la profundidad requerida para cada aplicación.

Para determinar la profundidad de introducción, primero ajuste la presión de aire y luego introduzca una grapa de prueba. Para lograr la profundidad deseada, use el ajuste de profundidad de penetración de la herramienta. Con materiales más duros y clavos más largos se requiere más fuerza.

- Retire de la herramienta el paquete de baterías, de estar instalado.
- Gire el control del ajuste de la profundidad de penetración hacia la izquierda o la derecha para cambiar la profundidad de penetración.
- Réinstalar el paquete de batería y reactive la herramienta presionando el interruptor del mango con luz de trabajo.
- Después de cada ajuste, introduzca un clavo de prueba hasta lograr la profundidad deseada.

**NOTA:** Fije la profundidad de penetración en el valor más bajo que le permita cumplir con sus objetivos.

## APLICACIÓN DE CLAVOS DE PUNTILLA

Veja las figuras 8 y 9, página 13.

### **ADVERTENCIA:**

Nunca detenga con una cuña ni de ninguna otra forma el mecanismo del disparador de contacto al utilizar la herramienta. La inobservancia de esta advertencia puede causar lesiones serias.

El selector de modo permite que el operador elija entre el accionamiento secuencial simple para colocar clavos con precisión y el accionamiento por contacto para aumentar la productividad.

La herramienta aplicará un clavo cada vez que se presione el gatillo, siempre que se active el contacto con la pieza de trabajo.

### **Modo de accionamiento secuencial sencillo:**

El accionamiento secuencial sencillo permite lograr la colocación más exacta del sujetador.

- Retire de la herramienta el paquete de baterías.
- Deslice el selector a la posición (T).

### **ADVERTENCIA:**

La clavadora no funcionará correctamente si el selector no está asentado firmemente en la posición (T) o en la posición (TTT). Asegúrese siempre de que el selector esté bien asentado para evitar aplicaciones inesperadas de clavos y posibles lesiones personales de gravedad.

- Réinstalar el paquete de batería y activar la herramienta.
- Sujete firmemente la herramienta para mantener el control. Coloque la punta de la herramienta en la superficie de trabajo.
- Oprima la herramienta contra la superficie de trabajo para oprimir el disparador de contacto.
- Para introducir un sujetador, oprima el gatillo.

**NOTA:** Sostenga el gatillo hasta que se haya completado un ciclo de conducción.

- Retire siempre el dedo del gatillo cuando se haya aplicado la cantidad de clavos deseada.

# FUNCIONAMIENTO

## Modo de accionamiento por contacto:

El accionamiento por contacto permite la colocación repetitiva de sujetadores a velocidad muy rápida.

- Retire de la herramienta el paquete de baterías.
- Deslice el selector a la posición (TTT).
- Réinstalar el paquete de batería.
- Sujete firmemente la herramienta para mantener el control.
- Oprima el gatillo y no lo suelte. Oprima la herramienta contra la superficie de trabajo para oprimir el disparador de contacto e introducir un sujetador.

**NOTA:** Sostenga el gatillo hasta que se haya completado un ciclo de conducción.

- Retire siempre el dedo del gatillo cuando se haya aplicado la cantidad de clavos deseada.

**NOTA:** En el modo de accionamiento por contacto, la herramienta puede accionarse también presionando el disparador de contacto contra la superficie y oprimiendo el gatillo.

## SEGURO DE DISPARO EN SECO

El seguro de disparo en seco impide el accionamiento de la herramienta cuando hay pocos sujetadores en la herramienta, con el fin de evitar falten sujetadores en el patrón de clavado.

Las ventanas abiertas del cargador muestran cuántos clavos quedan en la herramienta.

Cuando el magazín tiene 0-5 clavos restantes, el seguro de disparo en seco no permite continuar utilizando la herramienta.

Para volver a utilizar la herramienta, vuelva a cargarla con clavos.

## REGLA PARA CONSTRUCCIÓN

Hay una regla para construcción situada a lo largo del lado izquierdo del cargador, la cual permite al operador efectuar mediciones rápidas durante el trabajo.

## LUCES DE TRABAJO DE DIODOS LUMINISCENTES (LED)/

### LECTURAS DE DIAGNÓSTICO

*Vea la figura 10, página 13.*

Las luces de trabajo LED sirven de lecturas para indicar si el paquete de baterías tiene suficiente carga y si la herramienta está funcionando correctamente.

Para encender las luces de trabajo, presione el interruptor del mango con luz de trabajo LED mientras sujeta firmemente la herramienta en condiciones normales de operación.

Si las luces de trabajo titilan, coloque una batería con plena carga. Si las luces siguen titilando, consulte la sección Solución de problemas para obtener más información.

## CÓMO QUITAR UN CLAVO DE PUNTILLA ATASCADO

*Vea la figura 11, página 13.*

### ADVERTENCIA:

Retire de la herramienta el paquete de baterías antes de retirar los clavos. La inobservancia de esta advertencia puede causar lesiones serias.

- Retire el paquete de baterías de la herramienta.
- Abra el cargador y extraiga las grapas.
- Introduzca un destornillador de punta plana en el mecanismo de impulsión y empuje este mecanismo hacia atrás, para desalojar el clavo atorado.
- Extraiga el clavo doblado.
- Cierre el soltador y el pestillo.
- Vuelva a colocar la batería y reactive la herramienta.

**NOTA:** El exceso de profundidad de clavado, el exceso de residuos o las grapas atoradas pueden hacer que la hoja de empuje se atore en su posición inferior.

# MANTENIMIENTO



## ADVERTENCIA:

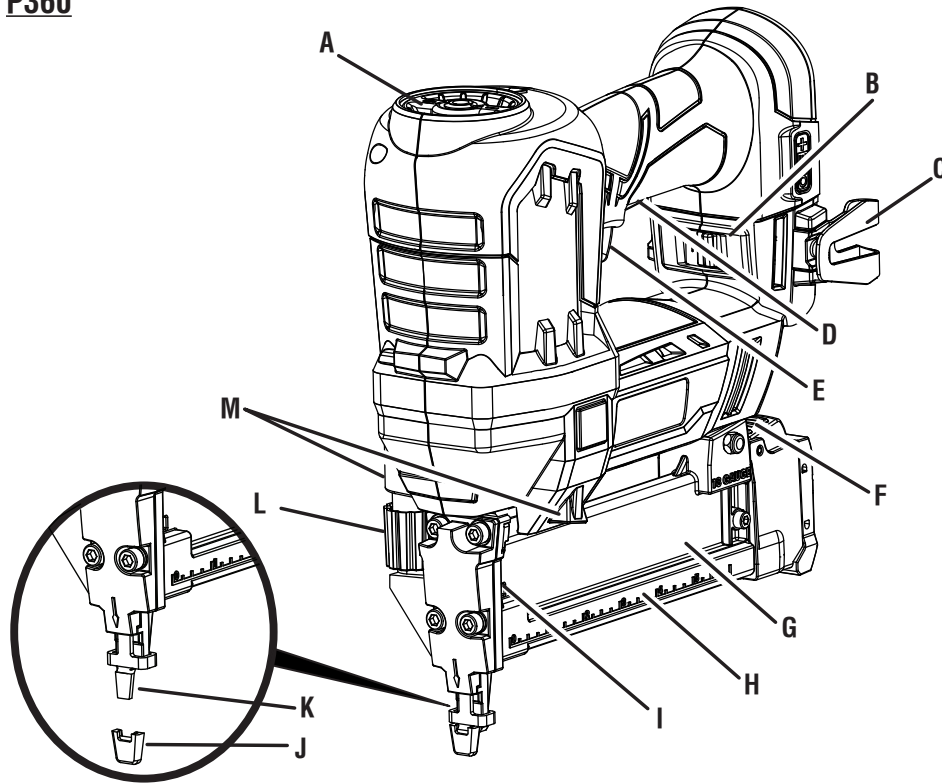
Al dar servicio a la herramienta, utilice solamente piezas de repuesto idénticas. El empleo de piezas diferentes puede implicar peligro o causar daños al producto.

## MANTENIMIENTO GENERAL

Evite el empleo de solventes al limpiar piezas de plástico. La mayor parte de los plásticos son susceptibles a diferentes tipos de solventes comerciales y pueden resultar dañados. Utilice paños limpios para eliminar la suciedad, polvo, aceite, grasa, etc.

## CORRECCIÓN DE PROBLEMA

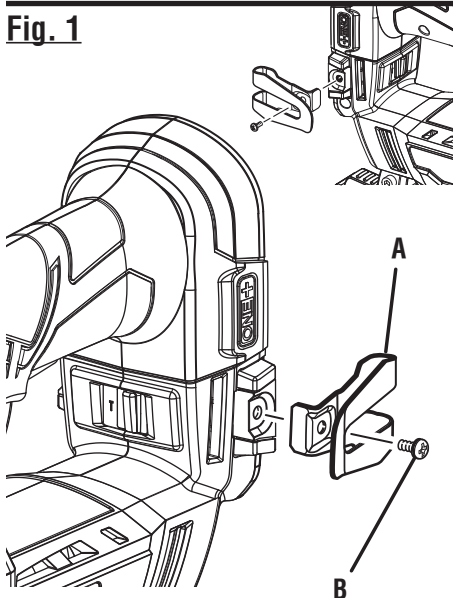
| PROBLEMA   | CAUSA POSIBLE   | SOLUCIÓN  |
|--|---|---|
| El elemento que entra en contacto con la pieza de trabajo no baja por completo; la herramienta no funciona                               | Pocos clavos<br>El elemento que entra en contacto con la pieza de trabajo está atascado   | Vuelva a cargar clavos<br>Retire la batería y limpie los restos de material   |
| La herramienta funciona correctamente pero los sujetadores no se aplican bien  | La presión de aire es demasiado baja<br>La profundidad de penetración no es suficiente<br>El clavo es demasiado largo para la dureza de la madera | Aumente la presión de aire<br>Ajuste la profundidad de penetración<br>Utilice clavos que tengan una longitud apropiada para la madera |
| La herramienta funciona correctamente pero los sujetadores penetran demasiado en la superficie de trabajo                                | La presión de aire es demasiado alta.<br>La profundidad de penetración es excesiva  | Reduzca la presión de aire.<br>Ajuste la profundidad de penetración   |
| La herramienta sufre atoramientos con frecuencia   | Sujetadores inadecuados<br><br>Sujetadores dañados<br>Está flojo el cargador o los tornillos de la punta<br>Cargador sucio                        | Verifique que sean del tamaño correcto los sujetadores<br>Cambie los sujetadores<br>Apriete los tornillos<br><br>Limpie el cargador   |
| La herramienta se detiene y las luces LED titilan rápidamente  | La batería tiene poca carga o está descargada<br>La herramienta está caliente   | Vuelva a cargar la batería<br>Deje enfriar la herramienta   |
| Tool ha cargado la batería y el LED se parpadea lentamente o el LED no se apagan después de aproximadamente diez segundos de inactividad | La herramienta se averió  | Lleve la herramienta al centro de reparación autorizado más cercano a su domicilio  |



- A - Air pressure dial (cadran de pression d'air, cuadrante de presión de aire)
- B - Mode selector (sélecteur de mode, selector de modo)
- C - Belt clip (agrafe pour courroie, gancho para cinturón)
- D - LED worklight grip switch (l'interrupteur d'éclairage DEL, interruptor del mango con luz LED)
- E - Switch trigger (gâchette, interruptor de gatillo)
- F - Magazine release button (bouton de dégagement du magasin, botón para soltar)
- G - Magazine (magasin, cargador)

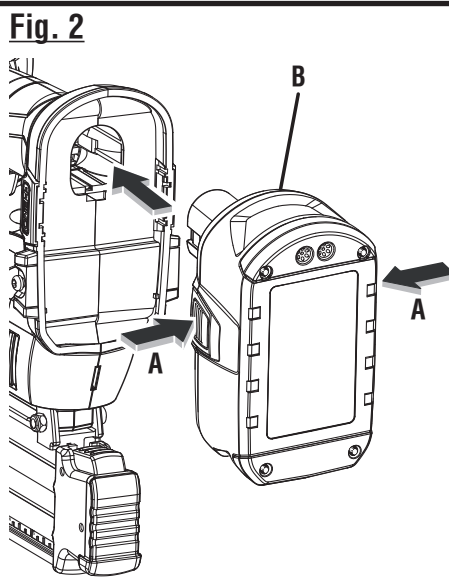
- H - Construction ruler (règle graduée, regla para construcción)
- I - Low fastener indicator window (hublot témoin de recharge, ventanas que indican poca cantidad de clavos)
- J - No-mar pad (bout de protection, almohadilla protectora)
- K - Workpiece contact (contact de déclenchement, disparador de contacto)
- L - Depth of drive adjustment (réglage de profondeur d'enfoncement, ajuste de la profundidad de introducción)
- M - LED worklights (lampes de travail LED, luces de trabajo de LED)

**Fig. 1**



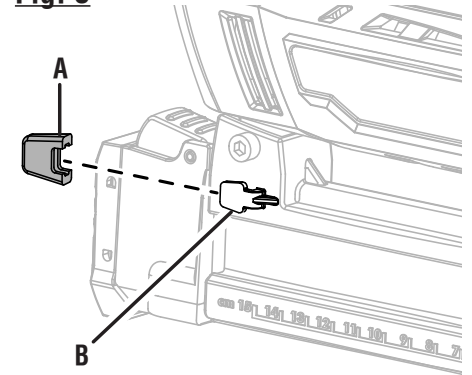
- A - Belt clip (agrafe pour courroie, Gancho para cinturón)
- B - Screw (vis, tornillo)

**Fig. 2**



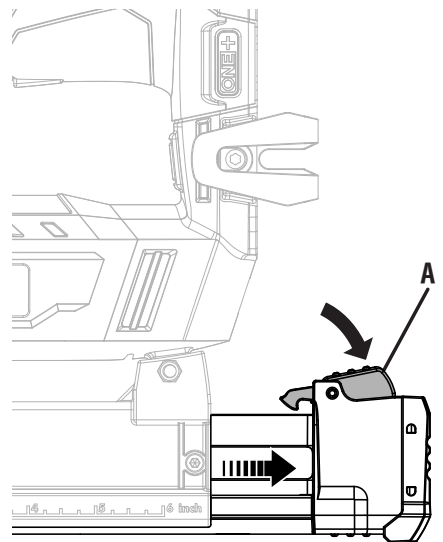
- A - Depress latches (appuyer sur les loquets, oprima los pestillos)
- B - Battery pack (bloc-pile, paquete de batería)

**Fig. 3**



- A - No-mar pad (bout de protection, almohadilla protectora)
- B - No-mar pad storage (rangement du coussinet de protection, lugar para guardar la almohadilla protectora)

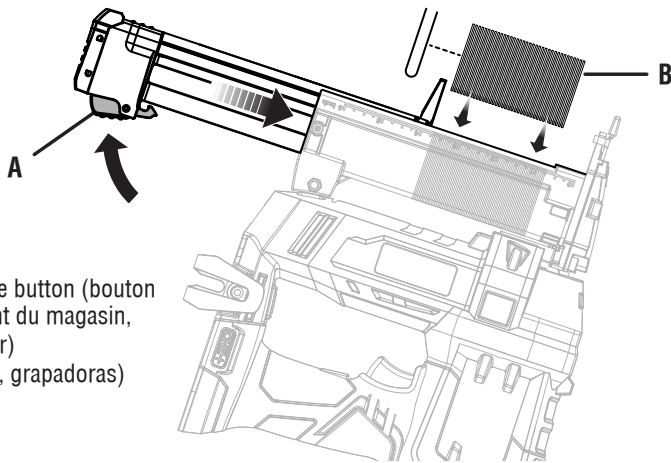
**Fig. 4**



- A - Magazine release button (bouton de dégagement du magasin, botón para soltar)

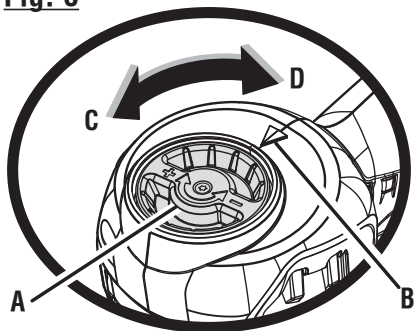


**Fig. 5**



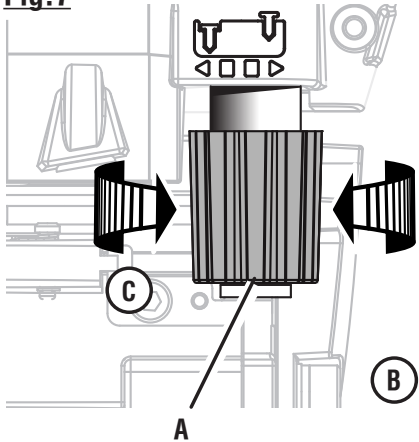
- A - Magazine release button (bouton de dégagement du magasin, botón para soltar)
- B - Staples (agrafes, grapadoras)

**Fig. 6**



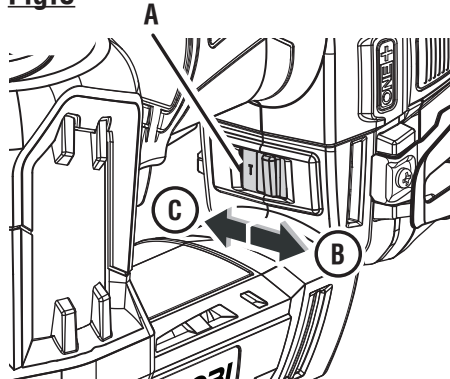
- A - Air pressure dial (cadran de pression d'air, cuadrante de presión de aire)
- B - Index arrow (flèche repère, flecha indicadora)
- C - Decrease pressure (réduire la pression, disminuir la presión)
- D - Increase pressure (augmenter la pression, aumentar la presión)

**Fig. 7**



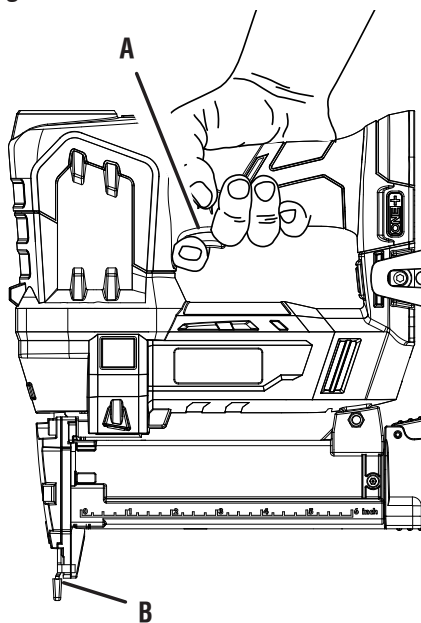
- A - Depth of drive adjustment (réglage de profondeur d'enfoncement, ajuste de la profundidad de introducción)
- B - To increase depth (pour augmenter la profondeur, para aumentar la profundidad)
- C - To decrease depth (pour réduire la profondeur, para disminuir la profundidad)

**Fig. 8**



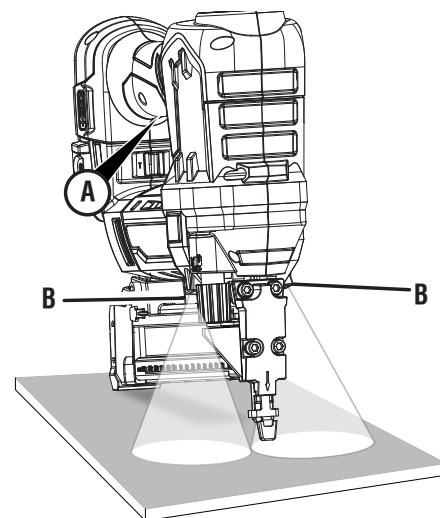
- A - Mode selector (sélecteur de mode, selector de modo)
- B - Single sequential mode (mode de déclenchement par séquence, accionamiento por contacto)
- C - Contact actuation mode (déclenchement par contact, para disminuir la profundidad)

**Fig. 9**



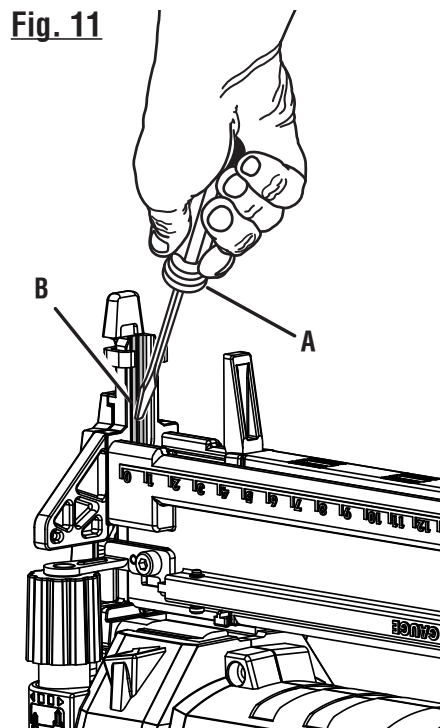
- A - Trigger (gâchette, gatillo)
- B - Workpiece contact (contact de déclenchement, disparador de contacto)

**Fig. 10**



- A - LED worklight grip switch (l'interrupteur d'éclairage DEL, interruptor del mango con luz LED)
- B - LED worklights (lampes de travail LED, luces de trabajo de LED)

**Fig. 11**



- A - Screwdriver (tournevis, destornillador)
- B - Driver mechanism (loquet, pestillo)







**OPERATOR'S MANUAL/AirStrike™ STAPLER**  
**MANUEL D'UTILISATION/AirStrike™ AGRAFEUSE**  
**MANUAL DEL OPERADOR/AirStrike™ GRAPADORA**  
**P360**

To request service, purchase replacement parts,  
locate an Authorized Service Center and obtain Customer or Technical Support:

Visit **www.ryobitools.com** or call **1-800-525-2579**

If any parts or accessories are damaged or missing,  
do not return this product to the store. Call **1-800-525-2579** for immediate service.

Please obtain your model and serial number from the product data plate.

**This product is covered under a 3-year limited Warranty. Proof of purchase is required.**

MODEL NUMBER \_\_\_\_\_ SERIAL NUMBER \_\_\_\_\_

RYOBI is a trademark of Ryobi Limited and is used pursuant to a license granted by Ryobi Limited.

Pour faire une demande de réparations ou obtenir des pièces de rechange, trouver un  
Centre de réparations agréé pour obtenir un soutien technique ou le Service à la clientèle :

Visiter **www.ryobitools.com** ou en téléphonant au **1-800-525-2579**

Si des pièces ou accessoires sont manquantes ou endommagées, ne pas retourner  
ce produit au magasin. Appeler immédiatement au **1-800-525-2579** pour obtenir de l'aide.

Inscrire les numéros de modèle et de série inscrits sur la plaque d'identification du produit.

**Ce produit est couvert par une garantie limitée de trois (3) ans. Une preuve d'achat est exigée.**

NUMÉRO DE MODÈLE \_\_\_\_\_ NUMÉRO DE SÉRIE \_\_\_\_\_

RYOBI est une marque déposée de Ryobi Limited et est utilisée en vertu d'une licence accordée par Ryobi Limited.

Para obtener servicio, comprar piezas de repuesto, localizar un centro de servicio autorizado  
y obtener Servicio o Asistencia Técnica al Consumidor:

Visite **www.ryobitools.com** o llame al **1-800-525-2579**

Si hay alguna pieza ou accesorios dañada o faltante, no devuelva este producto a la tienda.  
Llame al **1-800-525-2579** para servicio técnico inmediato.

Obtenga su modelo y número de serie de la placa de datos del producto.

**Este producto está cubierto con una garantía limitada de 3 años. Se solicita prueba de la compra.**

NÚMERO DE MODELO \_\_\_\_\_ NÚMERO DE SERIE \_\_\_\_\_

RYOBI es una marca de Ryobi Limited y se utiliza conforme a una licencia otorgada por Ryobi Limited.

**ONE WORLD TECHNOLOGIES, INC.**

1428 Pearman Dairy Road, Anderson, SC 29625 • Phone 1-800-525-2579  
États-Unis, Téléphone 1-800-525-2579 • USA, Teléfono 1-800-525-2579

**www.ryobitools.com**

A subsidiary of Techtronic Industries Co., LTD OTC: TTNDY

990000748

8-27-14 (REV:06)