

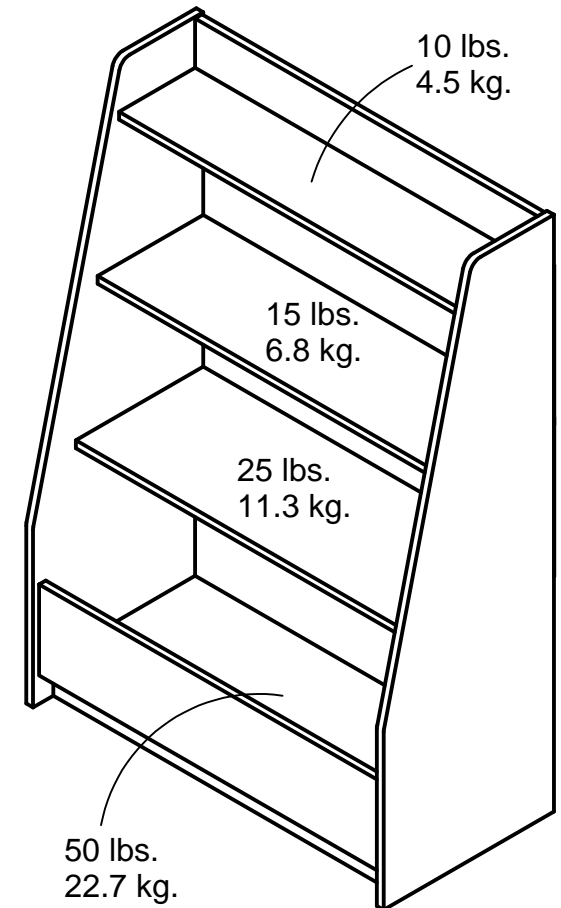
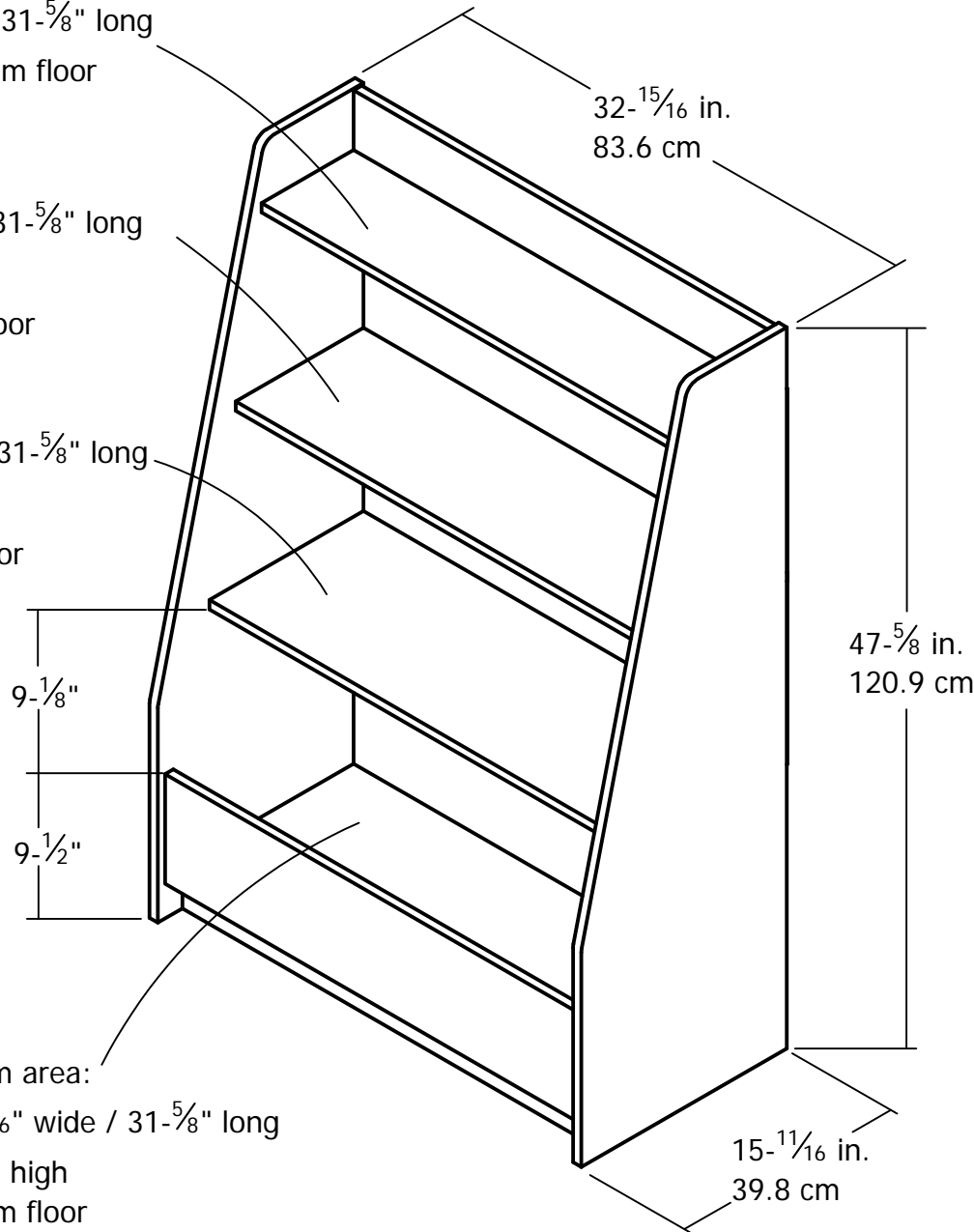
UNIT DESCRIPTION
STORAGE BOOKCASE
ASSEMBLED DIMENSIONS (H X W X D)
47- ⁵ / ₈ in. X 32- ¹⁵ / ₁₆ in. X 15- ¹¹ / ₁₆ in. 120.9 cm X 83.6 cm X 39.8 cm

Top Shelf:
 7" wide / 31-⁵/₈" long
 43-¹/₂" from floor

Middle Shelf:
 9-¹¹/₁₆" wide / 31-⁵/₈" long
 11-⁷/₁₆" high
 31-⁷/₁₆" from floor

Lower Shelf:
 11-¹¹/₁₆" wide / 31-⁵/₈" long
 11-⁷/₁₆" high
 19-⁵/₁₆" from floor

Bottom area:
 13-¹¹/₁₆" wide / 31-⁵/₈" long
 15-⁵/₈" high
 3" from floor



WEIGHT: 60 LBS
(27.2 KG)