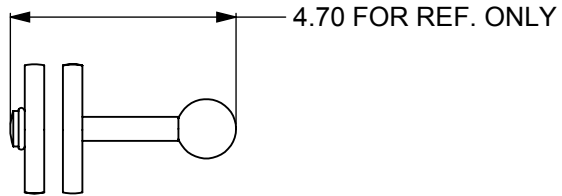
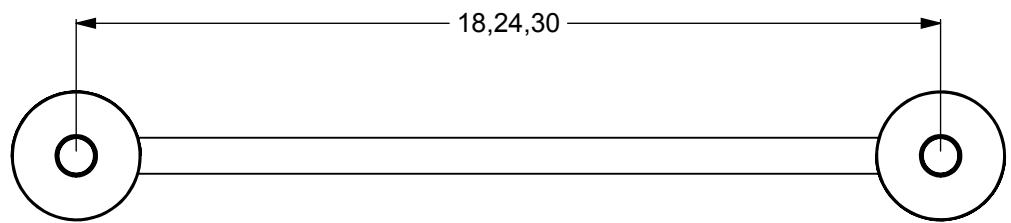
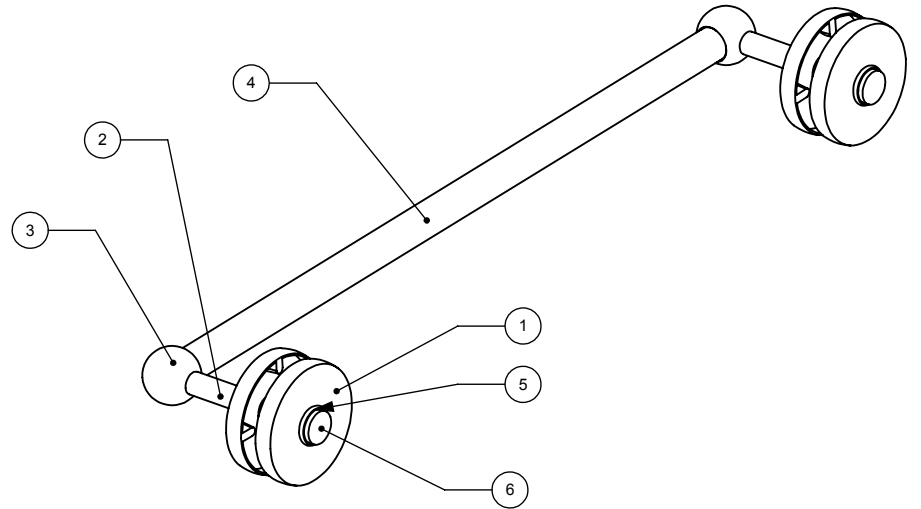
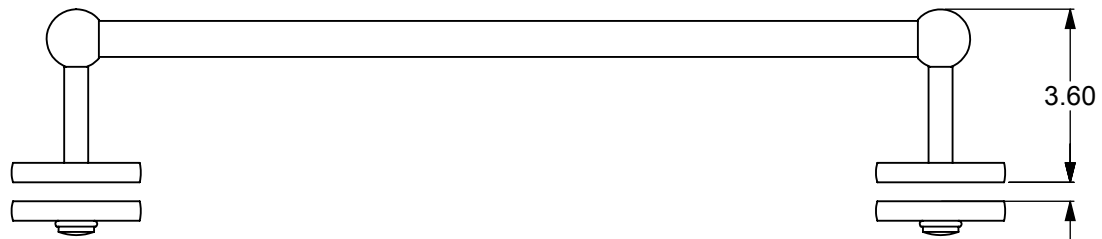


| ITEM NO. | P/N           | DESCRIPTION | QTY. |
|----------|---------------|-------------|------|
| 1        | BPRD          | BACKPLATE   | 4    |
| 2        | TU12-2        | NECK        | 2    |
| 3        | BL34ST-1.25   | HUB         | 2    |
| 4        | TU34-18,24,30 | TUBE        | 1    |
| 5        | CRRD-34       | CHECK RING  | 2    |
| 6        | CARD-34       | LOCK        | 2    |



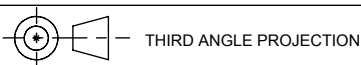
SPACE FOR GLASS DOOR

NOTES:  
1. UNIT IS IN INCHES.

UNLESS OTHERWISE STATED

|      |         |
|------|---------|
| .X   | ±.3mm   |
| .XX  | ±.15mm  |
| .XXX | ±.008mm |

COPYRIGHT © Allied Brass 2016



|          |           |     |
|----------|-----------|-----|
| DRAWN    | 8/25/2016 | I.M |
| CHECKED  | 8/25/2016 | P.D |
| APPROVED | 8/25/2016 | R.A |

|              |                          |
|--------------|--------------------------|
| MATERIAL:    | BRASS                    |
| DESCRIPTION: | SINGLE MOUNTED TOWEL BAR |



|             |             |
|-------------|-------------|
| FINISH      | TBD         |
| QUANTITY    | TBD         |
| DRAWING No. | P1000-41-SM |
| REV         | 0           |
| SCALE       | 1:4         |
| SHEET: 01   | A4          |